

PRECISION COUNTERTOPS

Quote

Contractor Information:

CA Contractor # 921598
 WA Registration# - precici10dp
 OR CCB# 57308
 ID Registration# - RCE-24582

Counter-Go #: CG50935	Quote: WAYNE JONES - VAN WATER HOUSE	Salesperson: GONSALVESG (Garth Gonsalves 503-482-1361)	Account: COD PDX DIRECT	Date: 2/20/2017
---------------------------------	--	--	-----------------------------------	---------------------------

Quote Address:

WAYNE JONES
 503-297-9661
 wayne@waynejones.net

Notes:

Color Options:

Color	Edge	Total
Silestone Sq Ft White Storm	Eased (Z)	\$2,438.80
Silestone Sq Ft Lyra	Eased (Z)	\$2,955.60
Zodiaq Cloud White	Eased (Z)	\$3,194.80

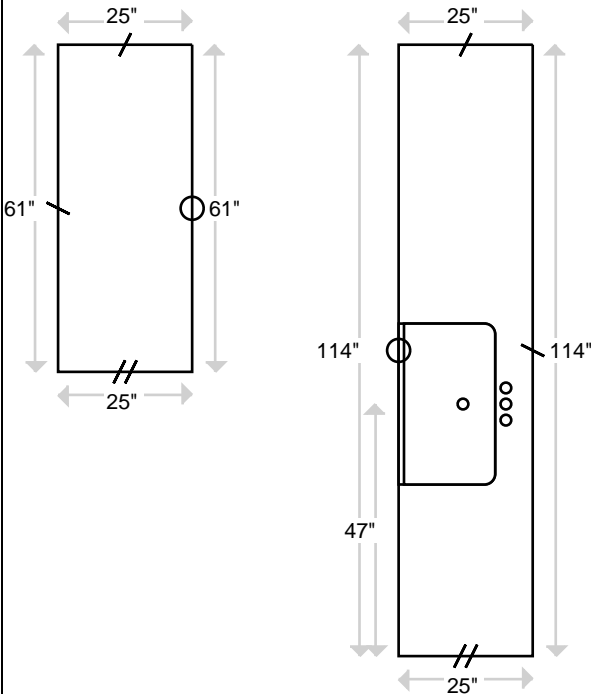
Quote Lines:

INSTALLED QUARTZ COUNTERTOP - NO BACKSPLASH

30.4 sq ft Silestone Sq Ft White Storm
 14.6 lin ft Finished Edge - Eased (Z)
 4.2 lin ft Appliance Edge
 1 - 30" Farmer Sink Cutout
 3 Faucet Hole

Total: \$2,438.80

Drawing:



- Unfinished
- Appliance
- Eased (Z)

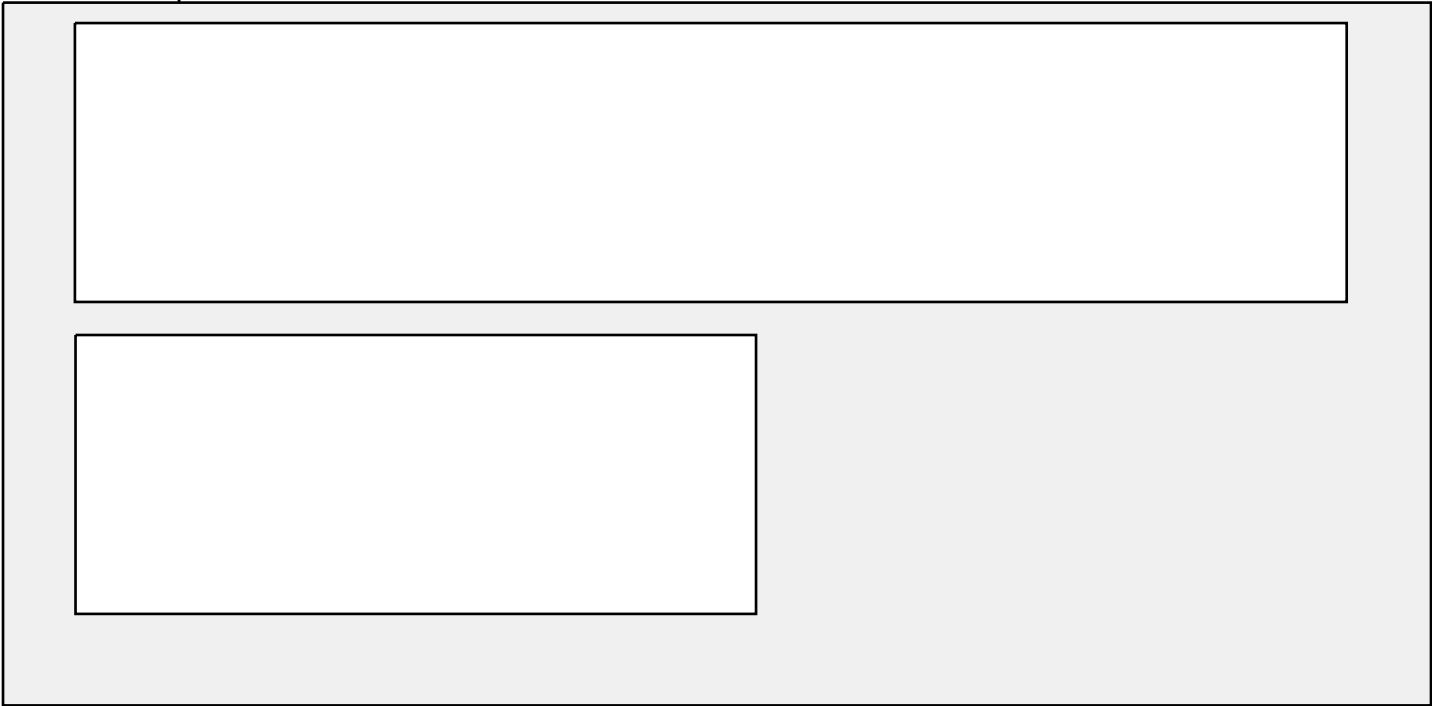
Quote is based on measurements provided in submission and subject to change after a hard template is created during the in home template appointment. An associate will contact you to discuss anything found during the in home template that was not foreseen in the quote.

The above prices, specifications and conditions are hereby accepted. You are authorized to do the work as specified (subject to change based on template appointment).

Accepted Date _____

Signature _____

Layout:
Silestone Sq Ft White Storm 128" x 63"



Notes:
Layout and seam placement subject to change.