

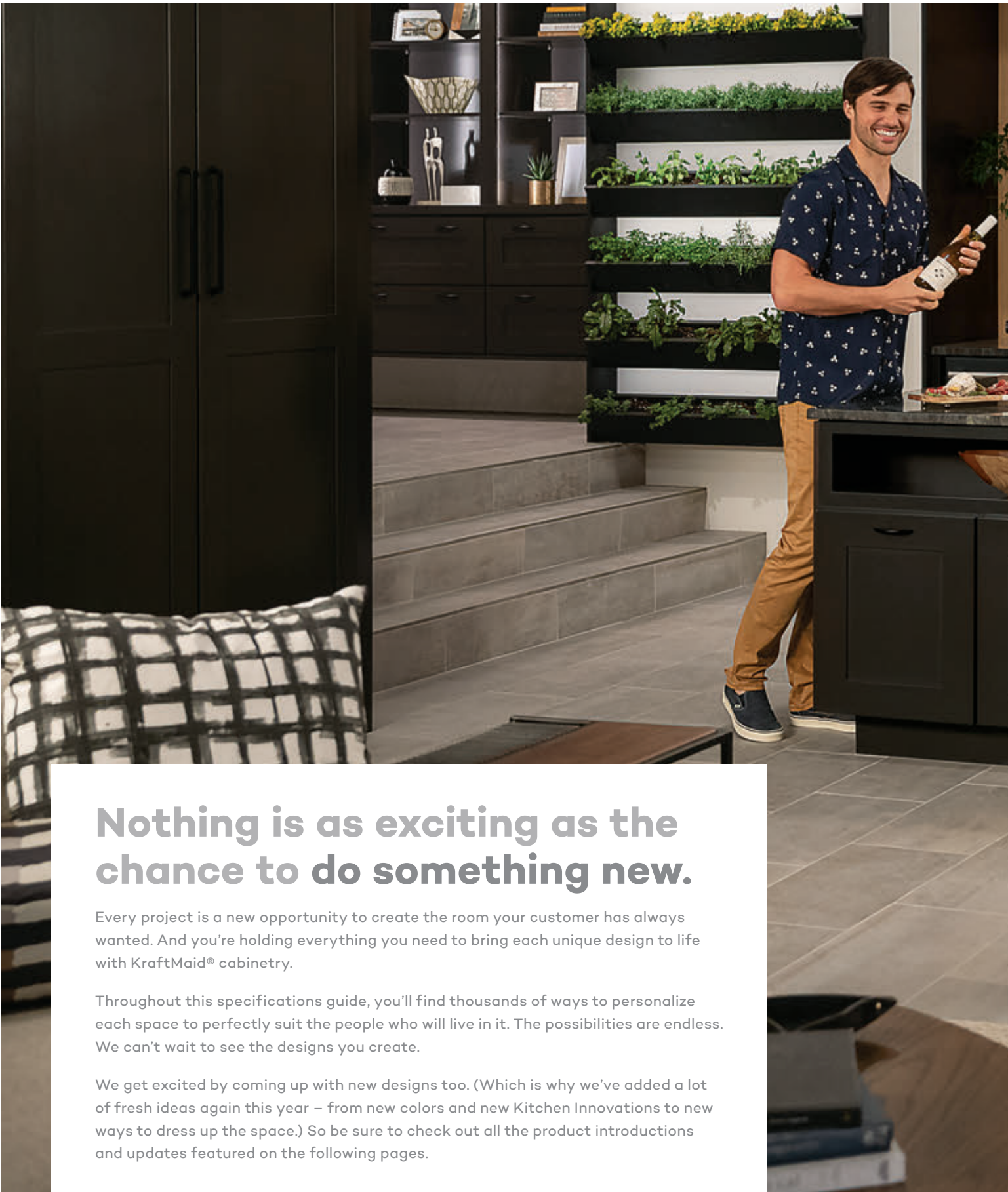
# KraftMaid®

KITCHENS FOR THE REAL LIVING ROOM®



SPECIFICATIONS | 2019-2020





# Nothing is as exciting as the chance to do something new.

Every project is a new opportunity to create the room your customer has always wanted. And you're holding everything you need to bring each unique design to life with KraftMaid® cabinetry.

Throughout this specifications guide, you'll find thousands of ways to personalize each space to perfectly suit the people who will live in it. The possibilities are endless. We can't wait to see the designs you create.

We get excited by coming up with new designs too. (Which is why we've added a lot of fresh ideas again this year – from new colors and new Kitchen Innovations to new ways to dress up the space.) So be sure to check out all the product introductions and updates featured on the following pages.

PAINTED CABINETS: Hettle | Maple | Riverbed Suede ● STAINED WALL PANEL: Burnaby | Crafted Maple | Barley ●





**Everything new, improved,  
enhanced or updated.  
(Change is good.)**

STAINED CABINETS: Ellery | Cherry | Distressed Barley ●

## Finishes | Page 6

New Paints

New Stains

New Specialty Finishes

## Door Styles | Page 10

Hettle

Ellery

Bromont

Brooks

## New Products | Page 12

6" Base Step Stool Pull-Out

Food Container Storage

Oven Cabinet with Deep Bakeware Drawer Dividers

CoreGuard® Apron Sink Base

Push-to-Open Base Bottom-Mount Wastebasket

6" Wall Cabinet

21" Base Top-Mount Wastebasket Cabinet with Drawer

Pedestal Door Cabinets

Double Oven Cabinet

Countertop Wall Cabinets

## Product Improvements and Line Expansions | Page 18

Paneled Valance

Top-Hinge Wall Cabinets

Apron Sink Base

12"-Wide Furniture Drawer

Bookshelf Top Rail

Wall Refrigerator Cabinet Expansion

Spice Drawer Fronts

Void Drawer Charge

Side-by-Side Roll-Out Trays

## Decorative and Design Enhancements | Page 22

Hardware Collections

Larger Empire Corbels

Shiplap Planks

Crafted Hardwood Veneer Paneling

High-Gloss Foils Accessory Expansion

10' Barrier Trims

## Modifications | Page 26

Integrated Decorative Ends on End Panels

Integrated Base Wine Storage

Toe Kick Vent

Charging Drawer Option

Base Cabinets – Flush Back

Change Depth Expansion

Custom Filler Overlay

Top Rail Modification

Extended Side Back

Extended Stiles

# Finishes

We keep up with the latest color trends.



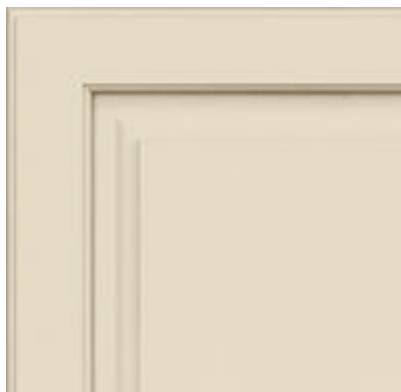
# Paints

More ways to showcase your customer's colorful personality.



### Warm White

A warmer version of tried-and-true white



### Cottage

A light warm grey with a taupe base



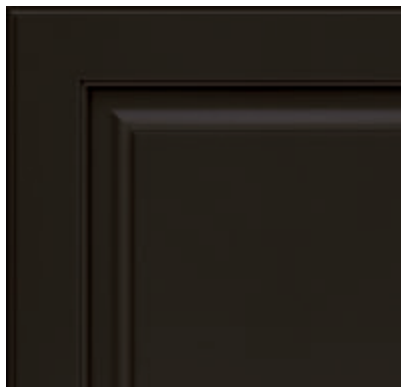
### Camel

A warm beige with a yellow-green base



### Rainfall

A blue-green with a grey hue



### Riverbed

Warm undertones give this dark grey a rich look

### **Not Shown:**

#### **Paints with Highlights**

#### **NEW Specialty Finish**

After the base paint color is applied, artisans hand-apply highlights to accentuate details in the corners, crevices and ridges of the door. Replaces Paints with Glaze. See page B7 for additional details.

# Stains



A new way to bring out the best in wood.



## Barley

Light, warm with green-yellow undertones

*Available on all wood types. See page B2 for additional details.*





## Hello, color and character.

This hybrid finish offers the color and brightness of paint while preserving the wood's natural character like a stain. Just enough of the grain shows through the semi-transparent finish. A Suede topcoat softens the color.



### Limestone

Off-white, warm neutral with grey undertones



### Driftwood

Medium brown



### Phantom

Dark grey with warm undertones

*Available on Hickory, Rustic Hickory, Oak, Quartersawn Oak, Maple and Rustic Maple. Also available with Distressed technique. See page B4 for additional details.*

# Door Styles

We keep refining our collection so there's always a perfect match for your client.





## Hettle

### The Basic Idea

- Wider stiles and rails give this Shaker design a modern touch
- A luxurious, transitional appearance

### The Details

Full overlay with solid square recessed panel. Slab drawer front standard. Deluxe recessed drawer front is also available. Choose from Cherry and Maple. See page A40.



## Ellery

### The Basic Idea

- The existing Thornton door style with a solid center panel
- Versatile. Classic. Clean-lined. Quintessentially Shaker.

### The Details

Half or full overlay with solid square recessed panel. Five-piece drawer front. Classic drawer front is also available. Choose from Cherry and Maple. See page A20.



## Bromont

### The Basic Idea

- Simple lines offer an elegant, traditional look
- Features mitered joints and a solid raised center panel

### The Details

Full overlay with solid square raised panel. Five-piece drawer front. Classic drawer front is also available. Choose from Cherry and Maple. See page A2.



## Brooks

### The Basic Idea

- A simple interior frame profile contributes to a transitional look
- Veneer recessed panel

### The Details

Full overlay with veneer square recessed panel. Five-piece drawer front. Classic drawer front is also available. Choose from Cherry and Maple. See page A4.

# New Products

Exactly what you need for exactly what they want.





## 6" Base Step Stool Pull-Out

### The Basic Idea

- Get help reaching top shelves without leaving out a tripping hazard
- Keep our metal step stool on hand, right where you'll use it
- Pull-out unit offers easy access

### The Details

The same durable metal step stool, in the same 6" width as our Base Step Stool Cabinet, now with pull-out convenience. Includes step stool. See page F30.



## Food Container Storage

### The Basic Idea

- It can be tough to wrangle different-sized plastic containers and lids
- Two kinds of inserts make organizing easy in drawers of all depths

### The Details

Designed for Base Deep Drawer Combination units in 18", 24", 30" or 36" width, the Tiered Plasticware Storage Insert has divided sections for different-sized plasticware containers. The shallow upper tier insert is designed to hold lids, while the deeper bottom drawer is perfect for containers. Both tiers have the same compartment arrangement to make it easier to match lids with containers. See page F77.

Flexible Plasticware Storage inserts have two adjustable dividers for custom configurations and can be added to 7" or 10" high drawers. Use one insert or combine several to fit larger drawer boxes. See page F76.



## Oven Cabinet with Deep Bakeware Drawer Dividers

### NEW Design Option

Bakers rejoice! Give your customer a tall oven cabinet that features a divided lower drawer to keep all their baking sheets, cake pans and muffin tins organized and nearby. See page G30.



## CoreGuard® Apron Sink Base

### NEW Design Option

Homeowners won't have to settle for damage from sink leaks or for a sink design they don't love. Now they can get the durability features of a CoreGuard® engineered polymer sink base in a base that will accept an apron sink. See page F15.



## Push-to-Open Base Bottom-Mount Wastebasket

### The Basic Idea

- Hiding the wastebasket in a cabinet is smart, but homeowners hate having to put their messy hands on the door to use it
- New push-to-open functionality makes using the wastebasket easy – even when hands are full

### The Details

Mechanical, spring-loaded latching releases the roll-out trash bin with just a light bump anywhere on the front of the door. Includes Soft-Close glides. Available on all bottom mount wastebasket base sizes. See page F4.



## 6" Wall Cabinet

### NEW Size Option

Sized to work with the 6" Base Cabinet launched in 2017 so you can create symmetry in an upper and lower cabinet run. See pages E1-E2.



## 21" Base Top-Mount Wastebasket Cabinet with Drawer

### NEW Size Option

This new option fills a gap between existing 18"-wide and 24"-wide wastebasket cabinets. See page F4.



## Pedestal Door Cabinets

### NEW Design Option

Similar to existing Pedestal Drawer cabinets, you can now create bench seating with storage accessible by hinged doors as well. See page F24.





## Double Oven Cabinet

### NEW Configuration

Now, homeowners can fit taller appliances – up to 53" high – into this cabinet while retaining maximum storage. See page G23.



## Countertop Wall Cabinets

### The Basic Idea

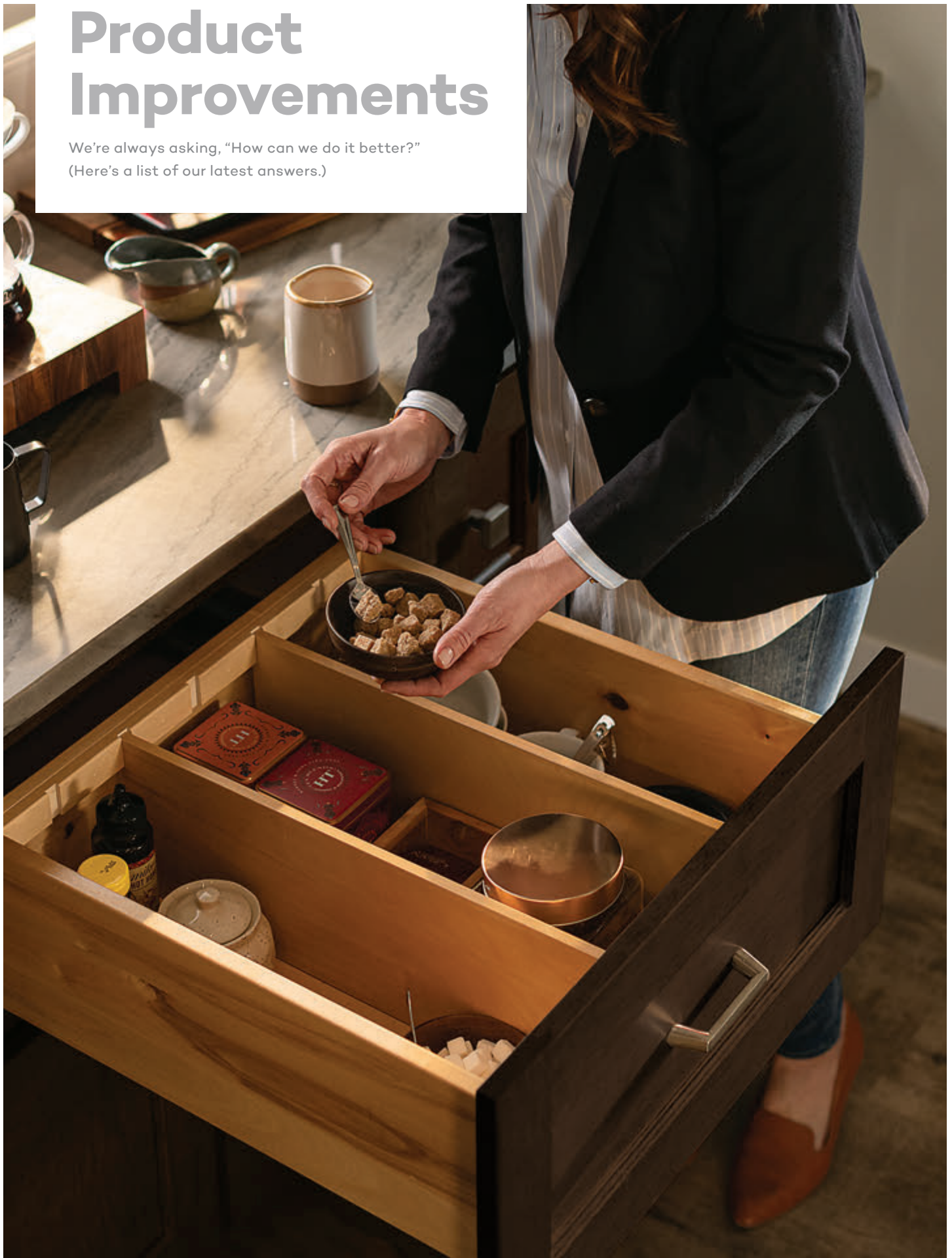
- One frame with a wall cabinet and countertop storage below
- No longer need to spec two units to achieve the effect

### The Details

Continuous, 60" tall frame. See pages E22-E23.

# Product Improvements

We're always asking, "How can we do it better?"  
(Here's a list of our latest answers.)





## Paneled Valance

### NEW Sizes

Spec raised and recessed panel valances from 30" wide to 60" wide in 3" increments. See pages E59-E60.



## Top-Hinge Wall Cabinets

### NEW Sizes

Expanded offering includes four new options ranging from 33" wide to 48" wide in every height currently offered. See pages E24-E25.



## Apron Sink Base

### NEW Design

For a more pleasing appearance, we've modified the cabinet front to minimize the frame reveal below certain-sized apron sinks. See pages F15-F17.



## 12"-Wide Furniture Drawer

### NEW Size Option

This line expansion gives you a narrower drawer option to use in kitchen and bath work zones, built-in entertainment units, home offices and more. Available in 6" H and 12"H. See page I4.



## Bookshelf Top Rail

### NEW Design

This update replaces the top furniture valance with a straight 1 ½" rail to modernize the look. Now standard on all bookshelves. See pages I9-I11.

### **Not Shown:**

## Wall Refrigerator Cabinet Expansion

### NEW Sizes

More ways to create custom, over-the-refrigerator storage – including a 49" Refrigerator Cabinet to accommodate larger refrigerator models. See page E5.

## Void Drawer Charge

### NEW Savings

Void Drawer Boxes are now a no-charge modification. See page C35.

## Spice Drawer Cabinet and Base Spice Drawer Cabinet

### NEW Construction

Thicker ¾" fronts align with the rest of the doors and drawers in a cabinet run. See pages E28 and F32.

## Side-by-Side Roll-Out Trays

### NEW Manufacturing Detail

By adding a new center stile block on large-width cabinets, you can now spec installation of DXROT on both sides of the stile. See page K11.

# Decorative Enhancements

Sometimes the big picture starts with the smallest details.





1

## Hardware Collections

### The Basic Idea

- Decorative knobs and pulls put the finishing touch on a room
- Customers want options that will match trending fixture and appliance finishes

### The Details

Our three new hardware collections are designed to adapt to (and enhance) nearly any room design you create. See page L29.

#### 1. Deco Collection

- Disc knobs, step knobs and pulls
- Available in Champagne Bronze or Polished Nickel

#### 2. Symmetry Collection

- Round knobs, square knobs and pulls
- Available in Flat Black or Satin Nickel

#### 3. Curve Collection

- Pulls only
- Available in Flat Black



2



3



## Larger Empire Corbels

### The Basic Idea

- More ways to add decorative enhancements while maintaining eye-pleasing proportions under cabinets, shelves and counters

### The Details

The Empire Molding Collection now includes four new corbel options with both wider and taller dimensions. See page L20.



## Shiplap Planks

### The Basic Idea

- An easy way to add farmhouse charm and character
- Available in all painted finishes

### The Details

Half-lap boards with a 5" or 8" chamfered-edge reveal. Available only in EverCore®. See page K7.





## Crafted Hardwood Veneer Paneling

### The Basic Idea

- Add large fields of wood paneling to your designs
- Order skins and toe kicks in matching material
- The look of Quartersawn wood without the worries

### The Details

Our Crafted Hardwood veneer offers the appearance of Quartersawn Maple, Oak or Cherry but with more consistent color and grain pattern, and without the cracking worries that would come with a wide panel of solid wood.

See pages K2 and K4.

### **Not Shown:**

## High-Gloss Foils Accessory Expansion

### The Basic Idea

- Continuity of high-gloss materials maintains the modern design aesthetic
- You no longer need to disguise certain elements and exposed faces of high-gloss foil cabinets because you couldn't order the appropriate pieces in a matching material

### The Details

Additional toe kicks and skins in high-gloss foil let you achieve a more polished look throughout the room. See pages K5 and L16.

## 10' Barrier Trims

### NEW Size

Cove Baseboard extended to 10' to cover longer spans in the field without splices or joints. See page L5.

# Product Modifications

New ways to solve those unique design challenges.





## Integrated Decorative Ends on End Panels

### NEW Availability

Keep things consistent. The appearance you get with integrated decorative ends on wall and base cabinets can be achieved on end panels. See pages F53, G39 and H47.



## Integrated Base Wine Storage

### NEW Wine Storage

Expansion of our existing integrated storage solutions lets homeowners conveniently store prized vintages on the end of a base cabinet. An open storage configuration allows for at-a-glance label identification and easy accessibility, while an option with a door keeps bottles handy but out of sight. See page C32.



## Toe Kick Vent

### NEW Feature

Add a framed toe kick with adjustable blocks for more flexibility in locating and installing a toe kick vent. See page C36.



## Charging Drawer Option

### NEW Adaptability

A design modification means your customers can add a charging drawer in a larger variety of drawer sizes. See page C36.



## Base Cabinets – Flush Back

### NEW Construction Option

Order individual cabinets with a factory-installed, finished, flush back panel to streamline field installation. See page C16.

### **Not Shown:**

## Change Depth Expansion

### NEW Availability

Modify more SKUs than ever before to add flexibility to your designs. Increase the depth on 18" and 21" vanity cabinets. Increase or reduce the depth of operational end cabinets. See page C19.

## Top Rail Modification

### NEW Wider Rail Option

Modify many wall and tall cabinets to feature a wide top rail. See page C26.

## Extended Stiles

### NEW Configuration Option

When you need to take up just a bit of space, you can modify your cabinet order to feature a 3" extended stile on the left, right or on both sides. Available on wall, tall, base, vanity or peninsula cabinets. See page C28.

## Custom Filler Overlay

### NEW Availability

Avoid installation errors or confusion in the field. Order filler overlay made to size. See pages E55, F56, G43, H50 and I15.

## Extended Side Back

### NEW Configuration Option

When it's impossible or impractical to move an obstacle, like plumbing lines or structural supports, an extended end panel may offer the perfect workaround. Available on one or both sides for wall and base cabinets. See page C29.



# KraftMaid<sup>®</sup>

KITCHENS FOR THE **REAL** LIVING ROOM<sup>®</sup>

## **Specifications**

©2019



KITCHEN CABINET  
MANUFACTURERS ASSOCIATION®

### **KraftMaid® Cabinetry is proud to have earned the KCMA Certification Seal for all door styles.**

KraftMaid® Cabinetry carries the seal of the Kitchen Cabinet Manufacturers Association (KCMA) Certification Program, which assures that our cabinets meet or exceed the rigorous standards set by the American National Standards Institute (ANSI). Our cabinets are also independently tested to ANSI/KCMA A161.1–2017 and paragraph 611.11, “HUD Minimum Property Standards–Housing 4910.1” 9-8-86.

KraftMaid® Cabinetry demonstrates its commitment to environmental sustainability through meeting or exceeding the requirements as outlined in the Environmental Stewardship Program certification, administered by KCMA.

All KraftMaid® facilities have also obtained ISO 14001 certificate of approval, demonstrating our commitment to reducing the impact of operations on the environment.

### **KraftMaid® Cabinetry took on 13 tough KCMA tests and passed them all...Beautifully.**

- Shelves and bottoms are loaded at 15 pounds per square foot to help ensure no excessive deflection or visible sign of joint separation or failure.
- Mounted wall cabinets are loaded to help ensure that the cabinet will accept net loading in compliance with ANSI A161.1–2017 requirements.
- A load of up to 250 pounds, based on the type of cabinet, is applied against the inside of cabinet fronts to help ensure reliable front joints.
- A 3 pound steel ball is “drop tested” from a height of 6” against shelves, cabinet bottoms and drawer bottoms to help ensure cabinets will withstand dropping of cans and other items.
- Cabinets are impact tested by striking the center of a closed and open door from 12” with a 10 pound sand bag at a 90° angle.
- Cabinet doors are weighted with 65 pounds and operated 10 times to test the ability of the door and hinges to withstand loading.
- Doors are opened and closed for 25,000 cycles to help ensure durability of the hinges under the stress of normal usage.
- Drawers and drawer mechanisms are tested at 15 pounds per square foot and operated through 25,000 opening and closing cycles to assure durability.
- A 3 pound weight is dropped 10 times against drawer assembly to help ensure that drawer front assembly will withstand the impact of closing.
- Cabinets are hot box tested at temperatures up to 120°F for 24 hours to help ensure finish will withstand high heat.
- Cabinets are cycle tested at temperatures ranging from -5°F to +120°F to help ensure finish will withstand temperature changes.
- A 24-hour soap and water solution on door and drawer front edges checks finish ability to withstand exposure to detergents and moisture.
- Finish is exposed to vinegar, grape juice, olive oil, lemon juice, 100 proof alcohol and more to help ensure no appreciable discoloration, stain or whitening of the finish.



**WARNING:** This product can expose you to chemicals including formaldehyde, which is known to the State of California to cause cancer. For more information go to [www.P65Warnings.ca.gov](http://www.P65Warnings.ca.gov).



# Table of Contents

<b>What's New</b>	<b>2</b>	<b>Tall Cabinets</b>	<b>G1–G48</b>
Order Examples	3	Tall Cabinets	G1–G14
Order % Upcharge Guide	4	Tall Appliance Cabinets	G15–G37
<b>Model Index</b>	<b>i–viii</b>	Tall Panels	G38–G41
<b>Door Styles</b>	<b>A1–A102</b>	Tall Fillers	G42–G44
<b>Finishes &amp; Touch-Up</b>	<b>B1–B10</b>	Tall Decorative Accents	G45–G46
<b>Construction Specifications and Options</b>	<b>C1–C38</b>	Tall Cabinet Accessories	G47–G48
Cabinet Specifications	C1–C10	<b>Vanity Cabinets</b>	<b>H1–H58</b>
Construction Options	C11–C38	Vanity Cabinets	H1–H7
<b>Decorative Doors and Inserts</b>	<b>D1–D8</b>	Vanity Sink Cabinets	H8–H19
Aluminum Frame Glass	D1	Vanity Tall Cabinets	H20–H25
Camed Glass	D1	Vanity Wall Cabinets	H26–H33
Classic Glass	D2	Vanity Collections	H34–H46
Etched Glass	D2	Vanity Panels	H47–H49
Layered Glass	D3	Vanity Fillers	H50–H52
Mullion Doors	D3-4	Vanity Decorative Accents	H53–H54
Specialty Inserts	D5	Vanity Accessories	H55–H60
Textured Glass	D5	<b>Office-Furniture Cabinets</b>	<b>I1–I22</b>
Glass Door Availability Charts	D6-D8	Office Cabinets	I1–I7
<b>Wall Cabinets</b>	<b>E1–E72</b>	Bookshelves	I8–I11
Wall Cabinets	E1–E5	Furniture Panels and Shelves	I12–I14
Peninsula Wall Cabinets	E6–E7	Furniture Fillers	I15–I17
Wall Corner Cabinets	E8–E15	Furniture Decorative Accents	I18–I19
Peninsula Wall Corner Cabinets	E16–E18	Furniture Accessories	I20
Wall Specialty Cabinets	E19–E28	Wood Tops	I21–I22
Wall Hoods	E29–E42	<b>Passport Cabinets</b>	<b>J1–J10</b>
Wall Microwave Cabinets	E43–E46	Passport Cabinets	J1–J6
Wall Open Cabinets	E47–E49	Base Sink and Appliance	J7–J8
Wall End Run Cabinets	E50–E51	Passport Accessories	J9–J10
Wall Panels	E52–E53	<b>Panels–Shelving–Trays</b>	<b>K1–K12</b>
Wall Fillers	E54–E57	Decorative Appliance Panels	K1–K3
Valances	E58–E61	Paneling	K4–K7
Wall Decorative Accents	E62–E63	Shelf Kits	K8–K10
Wall Shelving	E64–E65	Roll-out Trays	K11–K12
Wall Accessories	E66–E68	<b>Molding-Accents-Hardware</b>	<b>L1–L38</b>
LED Lighting	E69–E71	Molding	L9–L18
<b>Base Cabinets</b>	<b>F1–F78</b>	Decorative Accents	L19–L28
Base Cabinets	F1–F9	Hardware	L29–L38
Base Sink & Appliance Cabinets	F10–F24	<b>Replacement Parts</b>	<b>M1–M8</b>
Base Peninsula Cabinets	F25–F27	Replacement Hardware	M1–2
Base Specialty Cabinets	F28–F32	Replacement Door & Drawer Fronts	M3-8
Base Island Cabinets	F33–F36		
Base End Run Cabinets	F37–F38		
Base Corner Cabinets	F39–F50		
Peninsula Base Corner Cabinets	F51–F52		
Base Panels	F53–F55		
Base Fillers	F56–F59		
Base Decorative Accents	F60–F61		
Countertop & Shelf Support	F62–F63		
Base Accessories	F64–F78		

# What's New inside your KraftMaid® Spec Book

## New Product

Door Styles	Page
Bromont in Cherry and Maple	A2
Brooks in Cherry and Maple	A4
Ellery Full and Half in Cherry and Maple	A20
Hettle in Cherry and Maple	A40

Finishes	Page
Stains in Barley, Barley Suede and Distressed Barley	B2, B5
Translucent Stains in Driftwood, Limestone and Phantom	B4
Distressed Translucent Stains in Driftwood, Limestone and Phantom	B4
Paints in Camel, Cottage, Rainfall, Riverbed and Warm White	B6
Paints w/Suede in Camel, Cottage, Rainfall, Riverbed and Warm White	B6
Vintage Paints in Cottage and Warm White	B8
Vintage Paints w/Suede in Cottage and Warm White	B8

Construction Options	Page
Matching Interior Flush Appliance	C14
Flush Back Construction	C16
Change Top Rail	C26
Change Stile Dimension	C28
Extended Side (End Panel) Back	C29
Oven Cabinet Cutout	C32
Integrated Base Wine Storage & Wine Open Storage	C32
Charging Drawer Option	C36
Prepare for Toe Kick Vent	C36

Wall Cabinets	Page
Wall Single Door 6" wide in 24", 30", 33", 36", 39", 42", 48", 54" H	E1-E2
Wall Double Door 12"-42" size expansion	E3
Wall Refrigerator 24" D size expansion	E5
Wall Counter Top Door Storage & Wall Counter Top Open Storage	E22-23
Wall Top Hinge Cabinet 12" D & 24" in 18", 21", 27", 33", 39", 42", 48" W	E24-25
Valance Raised & Flat Panels in 33", 39", 45", 51" and 57"	E59-60

Base Cabinets	Page
Base Double Door w/Deluxe Dovetailed Trays	F3
Base Top Mount Wastebasket-Double Sidemount Soft-Close in 21" W	F4
Base Bottom Mount Wastebasket-Single-Push-to-Open	F4
Base Bottom Mount Wastebasket-Double-Push-to-Open	F4
Deep Sink Base & Deep Sink Base Extended - CoreGuard®	F15
Deep Sink Base Modified Extended - CoreGuard®	F15
Apron Sink Base Modified Extended & Modified Extended 27" Deep	F16-17
Base Microwave Cabinets w/Flush Bottom	F21
Base Step Stool Pullout	F30
Pedestal Door	F24
Base Offset Diagonal Wine Storage Cabinet	F31
Non-slip Drawer Liner for 24" DXROT	F67
Flexible & Tiered Plasticware Storage Inserts	F76-77

Tall Cabinets	Page
Oven Cabinet Combination w/Flush Bottom and 3" Stiles	G15
Oven Cabinet Double-Extended Opening w/3" stiles-Deep Drawer	G23
Oven Cabinet Single w/3" Stiles-Vertical Bakeware Storage	G30
Microwave Cooking Center w/Flush Bottom	G33
Microwave Cooking Center Drawer Storage w/Flush Bottom	G34
Microwave Cooking Center-Extended Opening w/Flush Bottom	G35
Microwave Cooking Center Drawer Storage-Extended Opening w/Flush Bottom	G36
Tall End Panels 25" wide in 11/16" and 13/16" thick	G38
Refrigerator End Panels with Return	G39
Wood Tall End Panel - Customizable	G41
Tall Column w/Matching Interior	G45
Oven Trim Kits for OC_DD.EO cabinets	G47
Cleat Kit	G48

Office & Furniture Cabinets	Page
Furniture Drawer Cabinets in 12" Wide	I4

Panels-Shelving-Trays	Page
Decorative Back Panel in Crafted Wood Veneer	K2
Crafted Wood Veneer Paneling	K4
High-Gloss Foil Skin	K5
Specialty Panel - Customizable	K6
Ship Lap Plank	K7
Deluxe Dovetailed Roll-out Tray Field Installation in 16", 19" and 22"	K11
Center Stile Mounting Block	K11

## New Product

Molding-Accents-Hardware	Page
Cove Baseboard Extended in 10'	L5
Crafted Wood Veneer Toe Kick	L16
Empire Corbel in 39, 59, 312 and 512	L20
Deco Knob Step, Deco Knob Disc & Deco Pull	L37
Square Symmetry & Round Symmetry Knobs	L37
Symmetry Pull	L38
Curved Pull	L38

## What's Changed

Cannon Grey now available on non-Rustic Maple door styles
Stain w/Glaze have new finish codes
Paint w/Glaze process changed to Paint w/Highlight
Touch-up Finishes are now featured next to each finish
Bookshelves will have a standard 1 1/2" top rail
Furniture Drawer FD30_06 will now be offered in FD30_06.1 and FD30_06.2 for simplified ordering of drawer options
Furniture Drawer FD30_06 will now be offered in FD30_06.1 and FD30_06.2 for simplified ordering of drawer options

## What's Discontinued

Door Styles
Birch Door Styles
Cream Foil Door Styles
Rustic Cherry Door Styles
Stratford Hickory, Maple, Oak Roman Door Styles
Gavinbrook Door Styles
Northwood Maple and Oak Roman Door Styles
Kensie Door Styles
Sturbridge Door Style
Parkdale Door Styles
Finishes
Finishes in Birch, Cream Foil, and Rustic Cherry finishes
Construction Options
Mullion Strip Oven Cabinet-Void Center Stile
Mullion Strip Utility Bottom-Void Center Stile
Mullion Strip Utility Top-Void Center Stile
Contrasting Backs-Dove White w/Cocoa Glaze, Canvas Maple w/Cocoa Glaze
Wall Cabinets
Tambour Storage
Tambour Storage Angle

Base Cabinets
Base Microwave Cabinet 34 1/2" H w/Deep Bottom Drawer
Base Microwave Cabinet 46 1/2" H
Base Microwave Cabinet 34 1/2" H w/Bottom Drawer - Extended Opening
Base Microwave Cabinet 46 1/2" H - Extended Opening
Base Microwave Cabinet 46 1/2" H w/Drawers - Extended Opening

Tall Cabinets
Utility Cabinets 12" and 24" Deep in 30", 33" and 36" Wide non-BUTT doors
Refrigerator Tall Cabinets in 33", 36", and 39" Wide non-BUTT doors
Oven Cabinet-Combination w/3" Stiles
Microwave Cooking Center
Microwave Cooking Center w/Drawer Storage
Microwave Cooking Center - Extended Opening
Microwave Cooking Center w/Drawer Storage - Extended Opening

Vanity Cabinets
Vanity Base Top Mount Wastebasket-Double

## Decorative Enhancements

Olive Leaf Corbel
Olive Leaf Molding
Olive Leaf Onlay

## Ordering Examples

New

Watch for this icon highlighting new items

Watch for grey codes and this note highlighting new models or codes

**W3636**

*Grey color coding indicates new product, size or code.*

**Note:** When BUTT is in all capitals, it **must** be included as part of your ordering nomenclature. A (Butt) in parentheses is for your information and isn't required on an order form.

### Cabinets

<b>PWA</b>	<b>24</b>	<b>30</b>	<b>R</b>	<b>L</b>
code	width	height	kitchen side hing- ing	rear door placement (looking at kitchen side)

### Accessories

<b>PCWFC</b>	<b>3</b>	<b>15</b>	<b>24</b>
code	width	depth	height

### Decorative Doors and Inserts

<b>3</b>	<b>FR</b>	<b>SAT</b>	<b>2</b>
quantity	frame code	glass code	height code

### Hardware

<b>PBDR</b>	<b>12</b>
code	depth

### Touch-up

<b>QST</b>	<b>WG</b>
code	finish

## Order Upcharge % Guide

Finishes	%	Construction Options	Code	%
Standard Thermofoil Finishes	N/C	Plywood Ends	PE	15%
High-Gloss Foil Finishes	N/C	Plywood Ends Both	PEB	15%
Wood-Grain Foil Finishes	N/C	All Plywood Construction with 1/2" End Panels	APC / AP	25%
Standard Stain Finishes	N/C	All Plywood Construction with 3/4" (Furniture) End Panels	APFC	40%
Premium Stain w/Suede Topcoat Finishes	10%	Furniture Plywood Ends	FPEB	20%
Premium Stain w/Glaze Finishes	15%	Matching Interior Standard Construction-Vinyl	MIV	25%
Premium Stain w/Glaze Suede Topcoat Finishes	25%	Matching Interior with 1/2" Plywood End Panels	MIP	30%
Premium Translucent Stain	10%	Matching Interior with 3/4" (Furniture) End Panels on APC	MIAPFC	55%
Premium Distressed Translucent Stain	25%	Matching Interior with 3/4" Furniture Plywood End Panels	MIFP	35%
Premium Distressed Stain Finishes	25%	Matching Interior Flush Appliance	MIFA	50%
Premium Painted Finishes	15%	Back Option	BEB	30%
Premium Paint w/Suede Topcoat Finishes	19%	Back Option	VGRB	30%
Premium Paint w/Highlight Finishes	19%	Contrasting Back Option - Plain Back	CPLB	35%
Premium Paint w/Highlight Suede Topcoat Finishes	25%	Contrasting Back Option - Beaded Back	CBEB	40%
Premium Vintage Paint Finishes	25%	Change Width	CW	30%
Premium Vintage Paint w/Suede Topcoat Finishes	25%	Reduced Depth	RD	30%
		Increased Depth	ID	30%
		Change Height	CH	30%
		Change Width & Reduce Depth	CW.RD	40%
		Change Width & Increase Depth	CW.ID	40%
		Reduce Depth & Change Height	RD.CH	40%
		Increase Depth & Change Height	ID.CH	40%
		Change Width & Change Height	CW.CH	40%
		Change Width, Reduce Depth & Change Height	CW.RD.CH	50%
		Change Width, Increase Depth & Change Height	CW.ID.CH	50%
		Cabinet Front Only	CFO	-30%
		Inverted Frame	IF	35%
		Oven Cabinet Cut-out	COS	30%
		Oven Cabinet Cut-out - Top	COT	20%
		Oven Cabinet Cut-out - Center	COC	20%
		Oven Cabinet Cut-out - Bottom	COB	20%
		Change Top Rail	CTR	5%
		Void all Doors and Drawer Fronts	VDA	-15%
		Void Doors Only	VDO	-5%
		Void Top Drawer Box	VTDW	N/C
		Void all Drawer Boxes	VDW	N/C
		Prep for Warming Drawer	PWD	20%
		Scoop Top Drawer	STDW	N/C
		Void Toe Kick	VTK	10%

## Quick Links

Resource	Web URL
<b>CabinetryInfo.com</b>	<a href="https://info.masco.cabinetry.com/group/designerexchange-home-depot1">https://info.masco.cabinetry.com/group/designerexchange-home-depot1</a>
<b>KraftMaid.com Consumer site</b>	<a href="http://www.kraftmaid.com">http://www.kraftmaid.com</a>
<b>Order Tracking &amp; Replacement Parts Ordering</b>	<a href="https://info.masco.cabinetry.com/group/designerexchange-home-depot1/order-tracking">https://info.masco.cabinetry.com/group/designerexchange-home-depot1/order-tracking</a>
<b>Promotions</b>	<a href="https://info.masco.cabinetry.com/group/designerexchange-home-depot1/promotions">https://info.masco.cabinetry.com/group/designerexchange-home-depot1/promotions</a>
<b>Training</b>	<a href="https://info.masco.cabinetry.com/group/designerexchange-home-depot1/learning">https://info.masco.cabinetry.com/group/designerexchange-home-depot1/learning</a>

## Designer Support & Customer Care Guidelines

At KraftMaid Cabinetry, we're committed to providing you with the very best service from start to finish. We're always here to help.

### Care and Contact

**Contacting Customer Care:**

Phone – (888) 562-3338  
Fax – (888) 562-6493

**Hours of Operation:**

Monday through Friday – 8 a.m. to 8 p.m. EST  
Saturday – 8 a.m. to 5 p.m. EST  
Sunday – Closed

**Contact Customer Care With Questions or Concerns Associated With:**

- Product availability
- Warranty claims
- Order status
- Purchase order numbers
- Product questions
- Return Goods Authorizations (RGAs)

**Reasons to Contact Your KraftMaid Sales Representative:**

- Showroom needs
- Literature needs
- Service issue resolution
- Design questions
- Any questions or issues not resolved when contacting Customer Care

**Warranty Phone Number:**

(888) 562-7744

KraftMaid



designerxchange

Your 24/7 access to order tracking, promotional updates, design ideas, trends, 2020 info, training and more!

Click and discover [www.KMDesignerXchange.com](http://www.KMDesignerXchange.com)

### Ordering Process

**EDI (Electronic Data Interchange) – Placing an Order:**

- Once a designer enters the order into 20/20, it is sent to the Special Services System for pricing, and then creates the Order number.
- Once purchased by the customer, the Purchase order is transmitted via EDI to KraftMaid for scheduling.

**Order Confirmation:**

Once your PO is received and scheduled by KraftMaid we will confirm the order via EDI in the system.

**Monitoring Your Order:**

- You can check the status of an order at any time by logging into [www.KMDesignerXchange.com](http://www.KMDesignerXchange.com) and selecting Order Tracking under the Designer Toolbox dropdown tab.

**Refund/Rebill:**

Should a price discrepancy be discovered after an order has been placed, it is the policy of The Home Depot that a refund and rebill be completed. The store will be responsible for completing the refund and rebill, as well as reissuing the order without the discrepancy. The reissued order requires a new purchase order.



## How to Order Add-On Parts:

- Generate a new Purchase Order and reference original PO# under vendor special instructions.
- Once the order has been entered it will be confirmed through EDI.
- Add-On Parts have an estimated 10-day turnaround from order to ship.
- Track your order on [www.KMDesignerXchange.com](http://www.KMDesignerXchange.com).
- For an order to qualify for this program, it must be for the same consumer, placed within six months of the original cabinet order delivery and include no more than six cabinets.

## Canceling an Order:

- Once an order has been placed, it can be cancelled and is subject to a 20% restocking fee. Excluding Custom panels and Vanity tops which are non refundable.
- Orders must be cancelled via phone. Designers should document the date and time of the call, along with the Customer Care representative who assisted with the cancellation.

## Delivery

### Logistics and Delivery Process

- Orders of five cabinets or less will ship to the store unless a Home Delivery (HMD) fee is paid.
- It is possible to have five cabinets or less delivered to the end-consumer's home. The HMD fee is an adjusted amount.
- Orders containing six or more cabinets ship via HMD unless approved by an authorized store associate at the time the order is placed.
- If an EDI order populates as a HMD with the customer's address, we will process the order as a HMD regardless of the number of cabinets.
- KraftMaid Cabinetry will arrange deliveries by calling the consumer for home deliveries or the store for in-store deliveries.
- A home delivery fee is added to the invoice on all HMD orders.
- Damaged Product – If a customer receives the product and the packaging is visibly damaged, they can request that the driver open the package. The customer is then responsible for contacting KraftMaid Customer Care at (888) 562-7744 for reordering if there is damage.

## Post-Delivery Support

### When to Order No-Charge Replacement Parts:

- Damage – as soon as it's discovered.
- Missing – at the time of delivery (as long as it is on the invoice).
- Customers should contact the Customer Care department at (888) 562-3338 when they need a replacement part.
- Customers who provide their email address will be sent an order acknowledgement for replacement parts.
- Replacement parts have an estimated 10-day turnaround from order to ship.

### Return Goods Authorization (RGA):

- Must be within 90 days from actual delivery date to receive 80% credit.
- Must not be installed or modified.
- Items should be returned to the store. Other options may be available. Contact Customer Care for details.
- RGAs can be called in to (888) 562-3338.
- Vanity tops and Custom Panels are not returnable.

**KraftMaid**  
**LIFETIME  
LIMITED  
WARRANTY**

As long as they own it, we warrant it. KraftMaid® cabinetry isn't just a purchase, it's an investment. We believe in quality craftsmanship. We also believe that quality craftsmanship should last a lifetime, not just a set number of years. Simply put, your customer's investment is protected as long as they own it. If you have a customer with a warranty issue, please direct them to Customer Care at (888) 562-7744.

ITEM	PAGE	ITEM	PAGE	ITEM	PAGE
<b>1</b>					
1/2" Overlay - Concealed or Knife Hinge	C1	Base Blind Corner w/Wood Lazy Susan	F48	Base Microwave Drawer w/Flush Bottom	F22
135° Base Inside Angle Corner Cabinet	F42	Base Blind Corner w/Wood Swing-out	F48	Base Mixer Shelf	F28
135° Base Outside Angle Corner Cabinet	F43	Base Blind Corner Wood Lazy Susan Kit	F66	Base Multi-Storage Pantry	F29
135° Wall Inside Angle Corner Cabinet	E9	Base Bottom Mount Wastebasket - Double	F3	Base Oven Cabinet Universal	F20
135° Wall Outside Angle Corner Cabinet	E9	Base Bottom Mount Wastebasket - Double - Push-to-Open	F4	Base Pantry Pull-out	F29
<b>8</b>					
8' Power Cable	E70	Base Bottom Mount Wastebasket - Single	F3	Base Pantry Pull-out Utensil Storage	F29
8' Power Extension Cable	E70	Base Bottom Mount Wastebasket - Single - Push-to-Open	F4	Base Pots and Pans Organizer Roll-out Field Installation	F65
<b>A</b>					
Acanthus Corbel	L19	Base Box	F60	Base Pots and Pans Storage Four Drawer	F8
Acanthus Insert	L19	Base Built-in Microwave Cabinet	F20	Base Pots and Pans Storage Three Drawer	F8
Acanthus Onlay	L19	Base Cleaning Storage Cabinet	F29	Base Pots and Pans Storage Two Drawer	F8
Adjustable Drawer Dividers	F67,I20	Base Column	F60	Base Single Door	F1
Aged Bronze Knob	L31	Base Cooking Center	F32	Base Single Door w/Deluxe Dovetailed Full-Width Tray(s)	F2
Aged Bronze Pull	L31	Base Cooking Center	F32	Base Single Door w/Deluxe Dovetailed Full-Width Tray(s)	F2
Aged Pewter Beaded Knob With Backplate	L32	Base Cookware Storage Roll-out Field Installation	F65	Base Spice Drawer Cabinet	F32
Aged Pewter Beaded Pull	L32	Base Corner Angle	F37	Base Step Stool Cabinet	F30
All Plywood Construction with 1/2" End Panels	C12	Base Corner Drawer Cabinet	F45	Base Step Stool Pullout	F30
All Plywood Construction with 3/4" (Furniture) End Panels	C12	Base Corner Drawer Cabinet and Base Corner Smart Space Companion View	F45	Base Three Drawer	F7
Aluminum Integrated Angled Pull	L30	Base Corner Smart Space Cabinet	F46	Base Top Mount Wastebasket - Double Sidemount Soft-Close	F4
Aluminum Integrated Pull	L30	Base Deep Drawer Combination	F8	Base Top Mount Wastebasket - Full-Height Sidemount Soft-Close	F5
Aluminum Round Bar Pull	L30	Base Deep Drawer Combination - Top & Bottom Tray	F9	Base Top Mount Wastebasket - Recycling Center Sidemount Soft-Close	F5
Aluminum Round Leg	L24	Base Dishwasher Cabinet	F23	Base Top Mount Wastebasket - Single Sidemount Soft-Close	F4
Aluminum Square Leg	L24	Base Double Door	F1	Base Tray Pull-out	F30
Ambry	D3	Base Double Door Double Drawer	F2	Base Utensil Pull-out	F31
Angle Crown Molding	L2	Base Double Door w/Deluxe Dovetailed Full-Width Tray(s)	F2	Base w/Pots and Pans Organizer	F5
Angle Crown Molding – Face-Mount	L2	Base Double Door w/Deluxe Dovetailed Trays	F3	Base Wine Rack	F31
Angled Corner Molding	L2	Base End Angle	F37	Batten Molding	L3
Angled Wood Edge	L2	Base End Corner	F37	Bead Edging	L3
Angled Wood Tops	I21	Base End Panel	F53	Bead Molding	L3
Antique Knob	L30	Base End Panel w/Stile	F53	Bead Pilaster	L3
Antique Pull	L31	Base Filler	F56	Beaded Panel Molding	L3
Antiquity Insert	D3	Base Filler Overlay	F56	Beaded Paneling	K5
Apple Leg	L24	Base Filler Pull-out	F59	Bistro Insert	D2
Apron Sink Base Extended	F16	Base Fluted Column	F60	Bread Box Drawer	F9
Apron Sink Base Extended 27" Deep	F17	Base Fluted Filler	F57	Brushed Brass Tapered Bow Pull	L30
Asymmetrical Easy Reach	F40	Base Four Drawer	F7	Brushed Brass Tapered Knob	L29
Asymmetrical Easy Reach w/Chrome Super Susan	F42	Base Full-Height Double Door	F6	<b>C</b>	
Asymmetrical Easy Reach Wood Super Susan	F41	Base Full-Height Double Door 12" Deep	F7	Cabinet Dimension Modification Information	C19
Asymmetrical Wall Easy Reach	E9	Base Full-Height Single Door	F6	Cabinet Front Only	C25
Attached Decorative End (Factory Applied Replacement Doors)	C19	Base Full-Height Single Door - Full Overlay	F6	Cabinet Panel Edge	L4
<b>B</b>					
Back Option	C15	Base Full-Height Single Door 12" Deep	F7	Cabinet Specifications	C2-10
Baluster Knob	L34	Base Full-Height Single Door 6" - 9" Wide	F5	Cabinet Valance Options	C27
Baluster Pull	L34	Base Inside Corner Angle Filler	F57	Cascade Insert	D5
Bar Pull	L32	Base Inside Corner Angle Filler Overlay	F57	Castlegate	D3
Base - Offset Diagonal Wine Storage Cabinet	F31	Base Liter Bottle	F28	Center Beaded Insert	L22
Base Angle	F43	Base Message Center	F38	Chair Rail	L4
Base Angle Full-Height Door	F44	Base Microwave Cabinet 34 1/2" H w/Flush Bottom and Bottom Drawer-Extended Opening	F21	Chalkboard Insert	D5
Base Blind Corner	F48	Base Microwave Cabinet 34 1/2" H w/Flush Bottom and Deep Bottom Drawer	F21	Change Height	C21
Base Blind Corner Cabinet Information	F47	Base Microwave Cabinet w/Flush Bottom 46 1/2" H	F21	Change Top Rail	C26
Base Blind Corner Universal	F49	Base Microwave Cabinet w/Flush Bottom 46 1/2" H	F21	Change Width	C20
Base Blind Corner w/Chrome Swing-out	F49	Base Microwave Cabinet w/Flush Bottom 46 1/2" H w/Drawers-Extended Opening	F22	Change Width & Change Height	C23
		Base Microwave Cabinet w/Flush Bottom 46 1/2" H-Extended Opening	F21	Change Width & Increase Depth	C22

ITEM	PAGE	ITEM	PAGE	ITEM	PAGE	
Change Width, Increase Depth & Change Height	C24	Cut-out Single (COS) option for Oven Cabinet- Double Extended Opening w/3" Stiles	G22	Desk Easy Reach	I6	
Change Width, Reduce Depth & Change Height	C24	Cut-out Single (COS) option for Oven Cabinet- Double w/3" Stiles	G19	Desk End Panel	I12	
Charging Drawer	F72	Cut-out Single (COS) option for Oven Cabinet- Single Oven/Microwave Combination w/3" Stiles - Bottom Drawer	G29	Desk File Drawer Cabinet	I5	
Charging Drawer Option	C36	Cut-out Single (COS) option for Oven Cabinet- Single w/3" Stiles	G24	Desk Filler	I15	
Chateau Insert	D1	Cut-out Single (COS) option for Oven Cabinet- Single w/3" Stiles - Two Bottom Drawers	G28	Desk Filler Overlay	I15	
Chopping Block or Kit	F70	Cut-out Single (COS) option for Oven Cabinet- Single w/3" Stiles - Vertical Bakeware Storage	G31	Desk Fluted Column	I18	
Chrome Deluxe Roll-out Tray Factory Installed	K12	Cut-out Single (COS) option for Oven Cabinet- Double w/3" Stiles - Deep Drawer	G20	Desk Fluted Filler	I16	
Chrome Deluxe Roll-out Tray Field Installation	K12	Cut-out Top (COT) for Oven Cabinet-Combination w/Flush Bottom and 3" Stiles	G16	Desk Full-Height Door	I2	
Chrome Lazy Susan Kit for Wall Angle Cabinets	E67	Cut-out Top (COT) option for Oven Cabinet- Combination w/Bottom Drawer	G26	Desk Knee Drawer Cabinet	I6	
Classic Camed Insert	D1	Cutlery Divider or Kit	F71	Desk Multi-Storage Drawer Cabinet	I3	
Classic Crown Molding	L4	Cutting Board Door Rack Kit	F70	Desk Wastebasket	I2	
Classic Crown Molding w/Molding Mounting Strip	L4	Cutting Center or Kit	F70	Desk Wastebasket w/Soft - Close Runners	I3	
Classic Drawer Front	C34	<b>D</b>			Dishwasher Panel	F23
Classic Leg	L24	DayBreak Dimmable Driver	E70	Dishwasher Raised Panel	F23	
Cleat Kit	G48	Deco Knob Disc	L37	Dolace Insert	D5	
Clipped Corner Wood Tops	I22	Deco Knob Step	L37	Door Storage	E21	
Computer Keyboard Drawer Cabinet	I6	Deco Pull	L37	Door Storage Angle	E21	
Computer Keyboard Drawer Kit	I20	Decorative Accent End Panel	F53	Double Oven Opening Kit	G47	
Connector Kit for Custom Wire Length	E70	Decorative Appliance Panel - General Guidelines	K1	Down Draft Base	F19	
Console Vanity	H19	Decorative Appliance Panel - Pricing Method	K1	Drawer Partition	F68	
Console Vanity Deluxe Roll-Out Tray	H19	Decorative Island End Cap Legs	L24	Drawer Storage Angle	E22	
Construction Option Examples	C11	Decorative Leg	L25	Drawer Storage Cabinet	E22	
Contemporary Wood Crown	L4	Decorative Panel - Back Panel	K2	Drop-in Range Panel	F19	
Contemporary Wood Edge	L5	Decorative Panel - Door Onlay Panel and Hinge Doors	K2	<b>E</b>		
Contemporary Wood Tops	I21	Decorative Panel - Drawer Onlay Panel	K3	Easy Reach	F39	
Contrasting Back Option - Beaded Back	C15	Decorative Panel - Wainscot	K3	Easy Reach w/Chrome Super Susan	F41	
Contrasting Back Option - Leather Back	C16	Decorative Panel/Replacement Door and Drawer Front	K3	Easy Reach Wood Super Susan	F40	
Contrasting Back Option - Plain Back	C15	Decorative Posts	L26	Egg and Dart Edge	L23	
CoreGuard® Panel Backer	K7	Decorative Wide Rail Options	C27	Empire Corbel	L20	
CoreGuard® Sink Base	F10	Deep Drawer Organizer	F75	Empire Crown Molding	L7	
CoreGuard® Vanity	H10	Deep Drawer Organizer w/Canister Storage	F74	Empire Knob	L33	
Corner Molding	L5	Deep Range Base	F18	Empire Leg	L21	
Corner Tall End Panel	G41	Deep Sink Base	F15	Empire Light Rail	L8	
Corner Tall Molding	L5	Deep Sink Base - CoreGuard®	F15	Empire Pull	L33	
Countertop Support	F62	Deep Sink Base 27" Deep	F16	Empire Square Knob	L33	
Cove Base Board Extended	L5	Deluxe Dovetailed Roll-out Tray Factory Installed	K11	Empire Starter Molding	L8	
Cove Casing	L6	Deluxe Dovetailed Roll-out Tray Field Installation	K11	End-to-End Connector	E70	
Cove Corbel	L20	Deluxe Raised or Recessed Panel Drawer Front	C33	Evansville	D4	
Cove Leg	L20	Dentil Edging	L7	Extended Side (End Panel) Back	C29	
Cove Molding	L6	Dentil Insert	L23	Extended Stile	C28	
Cove Molding w/Molding Mounting Strip	L6	Dentil Molding	L7	<b>F</b>		
Crescent Knob	L33	Desk Box	I18	Fabric Care Ensemble	G37	
Crescent Pull	L34	Desk Column	I18	Fabric Care Ensemble Cabinet	G37	
Crossroads Insert	D2	Desk Door Cabinet - Double Door	I1	Fabric Care Ensemble Panels	G37	
Crown Molding	L7	Desk Door Cabinet - Single Door	I1	Federal Knob	L35	
Crown Molding w/Molding Mounting Strip	L7	Desk Double File Drawer	I5	Federal Leg	L25	
Curved Pull	L38	Desk Drawer Cabinet	I3	Federal Molding	L8	
Custom Filler Overlay	E55,F56,G43,H50,I15			Federal Pull	L35	
Cut-out Bottom (COB) for Oven Cabinet- Combination w/Flush Bottom and 3" Stiles	G18			Filler Extension	E56,F58,I17	
Cut-out Bottom (COB) option for Oven Cabinet- Combination w/Bottom Drawer	G27			Finger Pull Routing	C34	
Cut-out Center (COC) for Oven Cabinet- Combination w/Flush Bottom and 3" Stiles	G17			Finished End Wood Tops	I22	
Cut-out Single (COS) option for Oven Cabinet- Double - Extended Opening w/3" Stiles-Deep Drawer	G23			Flat Framed Beveled Mirror	H30	
				Flexible Plasticware Storage Insert	F76	
				Floating Shelf - Cove & Sterling	E26	



ITEM	PAGE	ITEM	PAGE	ITEM	PAGE
Floating Shelf Molding - Cove & Sterling	L8	High-Gloss Foil Skin	K5	Matching Interior Standard Construction – Vinyl	C13
Floating Shelves	E26	<b>I</b>		Matching Interior with 1/2" Plywood End Panels	C13
Flush Back Construction	C16	Increase Depth & Change Height	C23	Matching Interior with 3/4" (Furniture) End Panels on All Plywood (APC) Orders	C14
Flush Finished Blind	C16	Increased Depth	C20	Matching Interior with 3/4" Furniture Plywood End Panels	C14
Fluted Extended Stile	C28	Inset Light Rail	L9	Matching Tall End Panel	G40
Fluted Filler Extension	E57,F58,I17	Integrated Base Spice Shelf	C31	Matching Tall End Panel - Mitered	G41
Fluted Integrated Extended Stile	C29	Integrated Base Wine Storage & Wine Open Storage	C32	Matching Tall End Panel - Square Edges	G40
Fluted Leg	L25	Integrated Decorative End	C17	Matching Tall Vanity End Panel	H48
Fluted Square Posts	L26	Integrated Extended Stile	C29	Matching Tall Vanity End Panel - Mitered	H49
Fordham Bin Pull	L36	Integrated Message Center - Base	C30	Matching Tall Vanity End Panel - Square Edges	H49
Fordham Knob	L36	Integrated Message Center - Utility	C30	Matching Vanity End Panel	H47
Framed Mirror - Angle Crown	H31	Integrated Message Center - Wall	C30	Matching Vanity End Panel - Mitered	H48
Framed Mirror - Classic	H31	Integrated Utility Cleaning Storage	C31	Matching Vanity End Panel - Square Edges	H48
Framed Mirror - Large Cove	H31	Integrated Wall Spice Shelf and Open Integrated Storage	C31	Matching Wall End Panel	E52
Framed Mirror - Large Crown	H32	Inverted Frame	C25	Matching Wall End Panel - Square Edges	E53
Framed Mirror - Traditional	H32	Island End - Bookcase	F33	Matte Nickel Knob	L29
Framed Mirror w/Decorative Accents	H44	Island End - Gateway	F36	Medium Football Knob	L29
French Farm Cup Pull	L32	Island End - Tapered leg	F36	Microwave Cooking Center w/Flush Bottom	G33
French Farm Pull	L33	Island End - Transitional	F36	Microwave Cooking Center w/Flush Bottom and Drawer Storage	G34
French Farm Round Knob	L32	Island End Cap Open with False Doors	F35	Microwave Cooking Center w/Flush Bottom and Drawer Storage-Extended Opening	G36
French Leg	L25	Island End Cap with Doors	F34	Microwave Cooking Center w/Flush Bottom-Extended Opening	G35
Fresco Brushed Aluminum	D1	Island End Cap with Drawers	F35	Microwave Kit - Compact	F22
Full Overlay - Concealed Hinges	C1	Ivy Insert	L23	Mirage Insert	D3
Full-Height Doors	C33	<b>J</b>		Mirror Cabinet - Recessed Mount	H28
Furniture Base 84" and 90" H	I11	Jericho Knob	L36	Mirror Cabinet - Surface Mount	H29
Furniture Base 96" H	I11	Jericho Pull	L36	Mirror Molding	L9
Furniture Book Shelf - 84", 87" and 90" H	I10	<b>K</b>		Mission Angle Support	F62
Furniture Book Shelf - 93" and 96" H	I10	K-Cup® Drawer Organizer Kit-Field Installation	F68	Mission Batten Molding	L10
Furniture Book Shelf - Top	I9	K-Cup® Shelf Kit	E67	Mission Countertop Support	F62
Furniture Drawer 12" H	I4	Knee Drawer Divider or Kit	I20	Mission Flat Wood Edge	L10
Furniture Drawer 6" H	I4	Knife Section Cutting Center or Kit	F70	Mission Light Rail	L10
Furniture End Panels	I14	Knife Section or Kit	F70	Mission Outside Corner	L10
Furniture Matching Base End Panel	F54	<b>L</b>		Mission Scribe Molding	L10
Furniture Matching Desk End Panel	I13	Lattice Wall	E48	Mission Shelf Support Bracket	F63
Furniture Matching Tall End Panel	G40	Lattice Wall Cabinet	E48	Mission Single Bead Edging	L11
Furniture Matching Tall Vanity End Panel	H49	Lazy Susan End Panel	F50	Mission Single Bead Molding	L11
Furniture Matching Vanity End Panel	H48	Leather Inserts	D5	Mission Single Bead Pilaster	L11
Furniture Matching Wall End Panel	E53	LED Connection Options	E71	Mission Single Bead Wood Edge	L11
Furniture Panels	I14	LED Flexible Strip Tape Light	E69	Mission Starter Molding	L11
Furniture Plywood Ends	C13	LED Puck Light	E69	Mode Knob	L36
Furniture Shelves	I14	Library Molding	L9	Mode Pull	L36
Furniture Wall	I8	Light Rail	L9	Modern Casing	L12
Furniture Wall Top	I9	Lighted Tri View Mirror	H30	Modern Cup Pull	L35
<b>G</b>		Lisbon Insert	D2	Modern Frosted Insert	D2
Glass Door Inserts	C33	Low Voltage LED Wall Dimmer Switch	E71	Modern Pull	L35
Glass Shelf Kit w/Adjustable Shelf Clips	K10	<b>M</b>		Modern Textured Insert	D5
Glass Shelf Kits	K9	Matching Base End Panel	F54	Moire Insert	D5
<b>H</b>		Matching Base End Panel - Mitered	F55	Molding Mounting Strip	L12
Hamper Kit	H57	Matching Base End Panel - Square Edges	F54	Molding Stack Information	L1
Heat Shield	F19	Matching Desk End Panel	I12	Motion Sensor On/Off Switch	E71
Heirloom Knob	L35	Matching Desk End Panel - Mitered	I13	Mullion Strip Base - Void Center Stile	C25
Heirloom Pull	L35	Matching Desk End Panel - Square Edges	I13		
Heritage Knob	L34	Matching Interior Flush Appliance	C14		
Heritage Pull	L34				
Hewitt	D4				

ITEM	PAGE	ITEM	PAGE	ITEM	PAGE
Mullion Strip Peninsula Base - Void Center Stile	C26	Passport Base Two Drawer	J3	Plain Capital Base Fluted Filler	F57
Mullion Strip Wall - Void Center Stile	C25	Passport Base Wastebasket	J2	Plain Capital Desk Fluted Column	I19
Multi Storage Pantry 24" Wide	G10	Passport Lazy Susan	J5	Plain Capital Desk Fluted Filler	I16
Multi Storage Pantry 36" Wide	G11	Passport Lazy Susan End Panel	J10	Plain Capital Sterling Base Column	F61
Multi-Sized Deep Drawer Organizer	F73	Passport Matching Toe Kick	J10	Plain Capital Sterling Vanity Column	H54
Non-slip drawer liner	F67,H56	Passport Peninsula Base Blind Corner	J5	Plain Capital Tall Fluted Column	G46
		Passport Peninsula Base Blind Corner w/Pull-out	J5	Plain Capital Tall Fluted Filler	G43
		Passport Peninsula Solid Wood Base End Open Shelf	J4	Plain Capital Vanity Fluted Column	H54
O		Passport Plumbing Skirt	J7	Plain Capital Vanity Fluted Filler	H52
Ogee Edging	L12	Passport Plumbing Skirt and Sink Collar Usage	J7	Plain Capital Wall Fluted Column	E63
Ogee Molding	L12	Passport Series	J1	Plain Capital Wall Fluted Filler	E56
Ogee Pilaster	L12	Passport Single Oven Cabinet w/3" Stiles	J6	Plain Square Posts	L27
Oil Rubbed Bronze Pull	L29	Passport Sink Base	J7	Plywood Ends	C12
Olive Leaf Knob	L31	Passport Sink Collar	J8	Portrait Framed Mirror - Classic	H32
Olive Leaf Pull	L31	Passport Sink Front	J8	Portrait Framed Mirror - Cove	H33
Operational End	C18	Passport Solid Wood Base End Open Shelf	J4	Portrait Framed Mirror - Federal	H33
Organizer Wall Cabinet	I7	Passport Tall Filler	J9	Portrait Framed Mirror - Traditional	H33
Organizers	E26,I7	Passport Utility Cabinets 12" Deep	J6	Prairie Insert	D2
Oval Rosette	L21	Passport Utility Cabinets 24" Deep	J6	Prep for Warming Drawer	C35
Oven Cabinet - Universal	G32	Pearl Beaded Knob	L33	Prepare for Toe Kick Vent	C36
Oven Cabinet Cut-out	C32	Pearl Beaded Pull	L33	Prepared for Glass	D2
Oven Cabinet-Combination w/Bottom Drawer	G25	Pedestal Door	F24	Prism Insert	D2
Oven Cabinet-Combination w/Flush Bottom and 3" Stiles	G15	Pedestal Drawer	F24	Pull-out Table Kit	F69
Oven Cabinet-Double - Extended Opening w/3" Stiles-Deep Drawer	G23	Pegged Drawer Organizer	F73		
Oven Cabinet-Double Extended Opening w/3" Stiles	G21	Peninsula Base Angle Cabinet	F52	Q	
Oven Cabinet-Single w/3" Stiles - Vertical Bakeware Storage	G30	Peninsula Base Blind Corner	F52	Quarter Round Molding	L13
Oven Cabinet-Double w/3" Stiles	G19	Peninsula Base Blind Corner - 27" Wide	F52		
Oven Cabinet-Double w/3" Stiles-Deep Drawer	G20	Peninsula Base Double Door	F25	R	
Oven Cabinet-Single Oven/Microwave Combination w/3" Stiles-Bottom Drawer	G29	Peninsula Base Full-Height Double Door	F26	Raleigh	D4
Oven Cabinet-Single w/3" Stiles	G24	Peninsula Base Full-Height Double Door 12" Deep	F27	Range Base	F18
Oven Cabinet-Single w/3" Stiles - Two Bottom Drawers	G28	Peninsula Base Full-Height Single Door	F26	Range Base 27" Deep	F18
Oven Trim Kit	G47	Peninsula Base Full-Height Single Door 12" Deep	F26	Ravenna Insert	D5
Overlay Panel for Base Blind Corner Cabinets	F55	Peninsula Base Full-Height Single Door 9" Wide	F27	Recessed Toe Kick	C36
Overlay Panel for Wall Blind Corner Cabinets	E53	Peninsula Base Single Door	F25	Recessed Toe Kick Peninsula	C37
		Peninsula Easy Reach	F51	Recirculating Conversion Kit	E42
		Peninsula Easy Reach Wood Super Susan	F51	Reduce Depth & Change Height	C22
		Peninsula Wall Angle	E16	Reduced Depth	C20
		Peninsula Wall Angle Example	E16	Refrigerator End Panel w/Stile	G39
		Peninsula Wall Angle Wood Lazy Susan	E17	Refrigerator End Panel with Return	G39
		Peninsula Wall Blind Corner	E18	Refrigerator Tall Cabinet	G36
		Peninsula Wall Blind Corner Cabinet Information	E17	Replacement Deluxe Rollout Trays for BDDC Cabinet	F66
		Peninsula Wall Double Door	E7	Replacement Shelving - Base	F78
		Peninsula Wall Easy Reach	E16	Replacement Shelving - Vanity	H57
		Peninsula Wall Hood Classic	E38	Replacement Shelving - Walls	E65
		Peninsula Wall Hood Classic Chimney	E39	Replacement Shelving w/Adjustable Shelf Clips	E64
		Peninsula Wall Hood Classic Chimney Flat Panel Valance	E39	Replacement Spice Bottle	E68
		Peninsula Wall Hood Classic Chimney Raised Panel Valance	E40	Replacement Wastebasket	F64,I20
		Peninsula Wall Hood Matching	E38	Reverse-A-Shelf Kit	E68
		Peninsula Wall Single Door	E6	Ribbon Twist Molding	L13
		Penrose Insert	D1	Roll-out Tray Divided Kit Field Installation	K12
		Pewter Domed Ring Knob	L31	Roll-Out Tray Organizer	F76
		Pewter Ringed Pull	L31	Roll-Out Tray Organizer w/Canisters	F75
		Plain Capital Base Fluted Column	F61	Roman Spindles	L27
				Rope Molding	L13
				Rosette	L21
				Rosette Base Fluted Column	F61
				Rosette Base Fluted Filler	F58

ITEM	PAGE	ITEM	PAGE	ITEM	PAGE
Rosette Base Fluted Filler Overlay	F58	Smithwick Knob	L37	Tall Filler Overlay	G42
Rosette Corbel	L21	Smithwick Pull	L37	Tall Fluted Column	G45
Rosette Desk Fluted Column	I19	Soffit Crown Molding	L14	Tall Fluted Filler	G43
Rosette Desk Fluted Filler	I16	Solid Stock	L14	Tall Pantry Pull-out	G12
Rosette Desk Fluted Filler Overlay	I16	Solid Wood Base End Open Shelf 24" Deep	F38	Tall Pantry Pull-out 60 1/2" H	G12
Rosette Tall Fluted Column	G46	Solid Wood Peninsula Base End Open Shelf 12" Deep	F38	Tapered Leg	L26
Rosette Tall Fluted Filler	G44	Solid Wood Wall End Open Shelf	E51	Tide Bar Pull	L36
Rosette Tall Fluted Filler Overlay	G44	Specialty Panels	K6	Tiered Pan and Lid Storage Pull-out	F30
Rosette Vanity Fluted Column	H54	Specialty Panels - Customizable	K6	Tiered Pan and Lid Storage Pull-out Kit	F64
Rosette Vanity Fluted Filler	H52	Spice Caddy	F72	Tiered Plasticware Storage Insert	F77
Rosette Vanity Fluted Filler Overlay	H52	Spice Drawer Cabinet	E28	Tiered Storage Shelf	E68
Rosette Wall Fluted Column	E63	Spice Drawer Cabinet Replacement Hardware	E66	Timeless Onlay	L23
Rosette Wall Fluted Filler	E56	Spice Drawer Insert or Kit	F71	Toe Kick	L16
Rosette Wall Fluted Filler Overlay	E56	Spice Open Storage	E68	Toe Kick Drawer	C37
Round Knob	L32	Spice Rack Kit	E68	Toe Kick Furniture Corner	L28
Round Symmetry Knob	L37	Spindles	L28	Top Wide Rail	C26
<b>S</b>		Split Decorative Posts	L27	Traditional Casing	L17
Sail Knob	L34	Split Spindles	L28	Traditional Mullion	D4
Sail Pull	L34	Square Desk End Panel	I12	Traditional Wood Edge	L17
Satin Chrome 5" Center Pull	L29	Square Symmetry Knob	L37	Traditional Wood Tops	I21
Satin Nickel Dog Bone Pull	L30	Square Wood Knob	L30	Transition Molding	L17
Satin Nickel Knob	L29	Stack Molding	L14	Transitional Corbel	L23
Satin Nickel Tapered Bow Pull	L29	Stainless Cutlery Divider	F71	Tray Dividers - Base	F66
Satina Insert	D2	Stainless Round Leg	L25	Tray Dividers - Wall	E67
Scoop Top Drawer	C35	Stainless Utensil Tray or Kit	F69	Tray Dividers-Tall	G48
Scribe Molding	L13	Starter Molding	L15	Tri View Mirror	H30
Shadow Insert	D2	Starter Trim	L15	Trunk Cup Pull	L35
Shaped Molding	L14	Stem Glass Holder	E66	Trunk Knob	L35
Shelf Kits	K8	Sterling Base Column	F61	Trunk Pull	L31
Shelf Support Bracket	F63	Sterling Corbel	L22	Tulip Leg	L26
Ship Lap Plank	K7	Sterling Crown Molding	L15	<b>U</b>	
Shoe Molding	L14	Sterling Leg	L22	U-Shaped Deluxe Roll-out Tray	H9
Showcase Mullion	D4	Sterling Light Rail	L16	Under Cabinet Door Storage	E27
Silk Insert	D3	Sterling Starter Molding	L16	Under Cabinet Panels	E53
Simplicity Knob	L35	Sterling Tall Column	G46	Under Cabinet Shelf	E27
Simplicity Pull	L35	Sterling Vanity Column	H54	Under Cabinet Shelf 18" H	E27
Sink Base - Clipped and Fluted Clipped Corners	F12	Sterling Wall Column	E62	Under Cabinet Shelf Corner	E27
Sink Base Angle	F46	Stranded Copper Wire	E70	Universal Molding	L18
Sink Base Blind Corner	F50	Styx Insert	D5	Utensil Drawer Organizer - Angled - Field Install Kit	F71
Sink Base Door Storage Unit or Kit	F73	Sub Zero End Panel	G40	Utensil Tray or Kit	F69
Sink Base Drawer	F14	Symmetry Pull	L38	Utility Cabinets 12" Deep	G6
Sink Base Multi - Storage Shelf Kit	F68	<b>T</b>		Utility Cabinets 24" Deep	G5
Sink Base Multi-Storage Cabinet	F13	Tailored Knob	L30	Utility Cabinets 60 1/2" High 12" Deep	G5
Sink Base Plastic Bag Door Storage Unit or Kit	F73	Tailored Pull	L31	Utility Cabinets 60 1/2" High 24" Deep	G4
Sink Base Shallow Deluxe Roll-out Tray - Field Installation	F66	Tall Acanthus Capital	L20	Utility Cleaning Cabinet 24" Deep	G3
Sink Base U-Shaped Deluxe Roll-out Tray - Field Installation	F65	Tall Column	G45	Utility Combination	G2
Sink Base w/Roll-Out Trays	F12	Tall Column w/Matching Interior	G45	Utility Combination - Shelves Left	G2
Sink Base w/Roll-Out Trays and Utensil Tray	F13	Tall Corner Angle	G13	Utility Deluxe Dovetailed Roll-out Tray	G1
Sink Base Wastebasket	F14	Tall Corner Angle Stack	G13	Utility Extended Bottom 12" Deep	G7
Sink Front	F17	Tall End Angle	G14	Utility Extended Bottom 24" Deep	G7
Sink Front Angle	F46	Tall End Angle Stack	G14	Utility Message Center	G12
Sink Front Corner 90°	F42	Tall End Panel	G38	Utility Stack 60 1/2" High Deluxe Dovetailed Roll-out Tray	G3
Sliding Bread Box Lid	F68	Tall End Panel w/Stile	G39	Utility Stack 84"-96" High Deluxe Dovetailed Roll-out Tray	G4
Sliding Towel Bar	F78	Tall File Cabinet 24" Deep	I5		
		Tall Filler	G42		

ITEM	PAGE	ITEM	PAGE	ITEM	PAGE
Utility Stack Cabinets 12" Deep	G10	Vanity End Panel	H47	Vanity Vertical Lift Door Wall Cabinet	H28
Utility Stack Cabinets 24" Deep	G9	Vanity End Panel w/Stile	H47	Vanity Wall - Recessed Mount	H28
Utility Stack Cabinets 60 1/2" High 12" Deep	G8	Vanity Filler	H50	Vanity Wall Boutique	H26
Utility Stack Cabinets 60 1/2" High 24" Deep	G8	Vanity Filler Overlay	H50	Vanity Wall Cabinet	H26
<b>V</b>					
V-Groove Paneling	K5	Vanity Filler Pull-out	H52	Vanity Wall Cabinet w/Decorative Accents	H43
Valance Contemporary	E58	Vanity Filler Pull-out Replacement Trays	H57	Vanity Wood Tiered Drawer Storage	H55
Valance Corbel	E58	Vanity Fluted Column	H53	Vauxhall Insert	D5
Valance Cove	E59	Vanity Fluted Filler	H51	Venetian Bronze Rustic Knob	L32
Valance Crown	E59	Vanity Furniture Filler	H51	Venetian Bronze Victorian Leaf Pull	L32
Valance Flat Panel	E59	Vanity Hamper Base	H2	Vetro Brushed Aluminum	D1
Valance Furniture	E60	Vanity Hamper Linen Cabinet 88 1/2" H	H21	Victorian Insert	D1
Valance Raised Panel	E60	Vanity Hamper Linen Cabinet Top Mount 88 1/2" H	H21	Vinyl Paneling	K7
Valance Shaker	E60	Vanity Inside Corner Angle Filler	H51	Vista Mullion	D4
Valance Straight	E61	Vanity Inside Corner Angle Filler Overlay	H51	Void All Doors and Drawer Fronts	C34
Valance Traditional	E61	Vanity Knee Drawer	H4	Void All Drawer Boxes	C35
Vanity Adjustable Drawer Dividers	H55	Vanity Linen Cabinet 48" H	H27	Void Doors Only	C34
Vanity Base Blind Corner	H7	Vanity Linen Cabinet 88 1/2" H	H20	Void Toe Kick	C37
Vanity Base Blind Corner Cabinet Information	H7	Vanity Linen Cabinet Deluxe Roll-out Tray (2)	H22	Void Top Drawer Box	C35
Vanity Base Double Door	H1	Vanity Linen Cabinet Deluxe Roll-out Tray (3)	H22	<b>W</b>	
Vanity Base Drawer	H3	Vanity Linen Cabinet Four Drawer	H21	Wall - Diagonal Wine Storage Cabinet	E48
Vanity Base Four Drawer	H4	Vanity Linen Cabinet Three Drawer	H20	Wall - Offset Diagonal Wine Storage Cabinet	E49
Vanity Base Hamper Top Mount	H3	Vanity Linen Cabinet Top Mount Wastebasket - Double 88 1/2" H	H23	Wall Angle 12" Deep	E10
Vanity Base Pull-out	H4	Vanity Linen Short Three Drawer	H27	Wall Angle 15" Deep	E10
Vanity Base Pull-out Appliance	H2	Vanity Linen Short Two Drawer	H27	Wall Angle Appliance Garage	E12
Vanity Base Single Door	H1	Vanity Linen Towel Storage	H22	Wall Angle Appliance Garage Chrome Lazy Susan	E12
Vanity Base Top Mount Wastebasket - Double	H3	Vanity Mirror Angle Cabinet	H29	Wall Angle Appliance Garage Wood Lazy Susan	E13
Vanity Box	H53	Vanity Mirror Cabinet	H29	Wall Angle Chrome Lazy Susan	E11
Vanity Cabinet Full-Height Door	H2	Vanity Mirror Cabinet Storage	H29	Wall Angle Stack	E10
Vanity Column	H53	Vanity Shallow Wood Tiered Drawer Storage	H55	Wall Angle Stack Chrome Lazy Susan	E11
Vanity Combination Drawer (2)	H15	Vanity Sink Base - Fluted Clipped Corners	H13	Wall Angle Stack Wood Lazy Susan	E12
Vanity Combination Drawer (3)	H16	Vanity Sink Base Angle - Full-Height	H14	Wall Angle Wood Lazy Susan	E11
Vanity Combination Drawer (6)	H17	Vanity Sink Base Angle - Single Door	H14	Wall Appliance Garage	E21
Vanity Combination Drawer (8)	H18	Vanity Sink Base Bottom Drawer	H12	Wall Blind Corner 23 1/2" - 42" H	E14
Vanity Combination Drawer - Full False Front (4)	H16	Vanity Sink Base Double Door	H11	Wall Blind Corner 48" and 54" H	E14
Vanity Combination Drawer - Full False Front (6)	H17	Vanity Sink Base Double Door w/Decorative Accents	H36	Wall Blind Corner Cabinet Information	E13
Vanity Combination Drawer w/Decorative Accents (2)	H38	Vanity Sink Base Four Door	H11	Wall Blind Corner Stack	E15
Vanity Combination Drawer w/Decorative Accents (3)	H39	Vanity Sink Base Four Drawer	H14	Wall Box	E62
Vanity Combination Drawer w/Decorative Accents (6)	H40	Vanity Sink Base Four Drawer w/Decorative Accents	H37	Wall Cabinet w/Spice Rack	E19
Vanity Combination Drawer w/Decorative Accents (8)	H41	Vanity Sink Base Single Door	H10	Wall China Display	E48
Vanity Combination Drawer w/Decorative Accents - Full False Front (4)	H42	Vanity Sink Base Single Door w/Decorative Accents	H36	Wall Column	E62
Vanity Combination Drawer w/Decorative Accents - Full False Front (6)	H42	Vanity Sink Base Three Door	H11	Wall Compact Microwave Shelf	E44
Vanity Decorative Accent End Panel	H45	Vanity Sink Base Three Drawer	H13	Wall Compact Microwave w/Solid Wood Shelf	E44
Vanity Decorative Accent Filler	H46	Vanity Sink Base Three Drawer w/Decorative Accents	H37	Wall Corner Angle	E50
Vanity Decorative Skirt w/Decorative Accents	H45	Vanity Sink Base Two Drawer	H13	Wall Corner Angle Stack	E50
Vanity Drawer Base Angle Four Drawer	H5	Vanity Sink Front	H12	Wall Counter Top Door Storage	E22
Vanity Drawer Base Angle Three Drawer	H5	Vanity Storage Rack Kit	H56	Wall Counter Top Open Storage	E23
Vanity Drawer Divider	H56	Vanity Utility Cabinet 18" Deep	H23	Wall Double Door 12" - 42" H	E3
Vanity Drawer Storage Kit	H56	Vanity Utility Cabinet 18" Deep w/Deluxe Dovetailed Roll-out Tray	H25	Wall Double Door 48" and 54" H	E4
Vanity Easy Reach	H6	Vanity Utility Cabinet 21" Deep	H24	Wall Easy Reach	E8
Vanity Easy Reach Wood Lazy Susan	H6	Vanity Utility Cabinet 21" Deep w/Deluxe Dovetailed Roll-out Tray	H25	Wall End Angle	E51
				Wall End Corner	E50
				Wall End Panel	E52
				Wall End Panel w/Stile	E52
				Wall Filler	E54
				Wall Filler Overlay	E54

ITEM	PAGE	ITEM	PAGE	ITEM	PAGE
Wall Filler Pull-out	E57	Wall Pantry Pull-out Stack	E20		
Wall Fluted Column	E63	Wall Refrigerator 24" Deep	E5		
Wall Fluted Filler	E55	Wall Refrigerator Top Hinge 24" Deep	E25		
Wall Hood Box	E29	Wall Reverse-A-Shelf	E19		
Wall Hood Box Valance	E30	Wall Single Door 12" - 42" H	E1		
Wall Hood Box w/Columns	E30	Wall Single Door 48" and 54" H	E2		
Wall Hood Cabinet Run - Rosette Corbel	E32	Wall Stack Cabinet 48", 51" and 54" H	E4		
Wall Hood Cabinet Run - Shelf w/Classic Crown Molding	E31	Wall Top Hinge Cabinet 12" Deep	E24		
Wall Hood Cabinet Run - Shelf w/Extra Large Cove Molding	E31	Wall Top Wide Rail	C26		
Wall Hood Cabinet Run - Sterling Corbel	E32	Wall Wine Hutch	E49		
Wall Hood Cabinet Run - Transitional Corbel	E32	Wall Wine Rack Cabinet	E49		
Wall Hood Classic	E33	Wastebasket Drawer Partition	C36		
Wall Hood Classic Chimney	E33	Wastebasket Lid	F64,I20		
Wall Hood Classic Chimney Flat Panel Valance	E34	Waterton Knob	L36		
Wall Hood Classic Chimney Raised Panel Valance	E34	Waterton Pull	L37		
Wall Hood Component Package (A, B & C) - Recirculating	E40	Wide Dentil Molding	L18		
Wall Hood Component Package (D, E & F) - Vented	E40	Wine Shelf	E66		
Wall Hood Component Package (G, H & I) - Vented	E41	Wine Storage Cabinet	E49		
Wall Hood Component Package (J, K & L) - Vented	E41	Wintersday Insert	D3		
Wall Hood Component Package (O, P, Q) - Vented	E41	Wire Stem Glass Holder	E67		
Wall Hood Component Package (R) - Vented	E42	Wire Tray Divider Kit	F66		
Wall Hood Component Package (S) - Vented	E42	Wood Lazy Susan	F44		
Wall Hood Component Package (T) - Vented	E42	Wood Lazy Susan Angle	F44		
Wall Hood Cove	E35	Wood Lazy Susan Kit for Wall Angle Cabinets	E67		
Wall Hood Cove Application	E35	Wood Sink Base	F11		
Wall Hood Mantle Cabinet	E37	Wood Sink Base 27" Deep	F11		
Wall Hood Mantle Column	E37	Wood Tall Door Storage Kit	G47		
Wall Hood Mantle Column - Sterling	E38	Wood Tall End Panel - Customizable	G41		
Wall Hood Mantle Matching	E37	Wood Tiered Drawer Storage Combination or Kit	F72		
Wall Hood Mantle Matching Application	E36	Wood Tiered Drawer Storage or Kit	F72		
Wall Hood Matching	E36	Wood Veneer Construction	C14		
Wall Hood Matching Straight Valance	E31	Wood Veneer Paneling	K4		
Wall Hung Vanity	H8				
Wall Hung Vanity Combination Drawer	H9	<b>Y</b>			
Wall Hung Vanity Drawer	H9	Yorkshire Insert	D1		
Wall Hung Vanity Full-Height Door	H8				
Wall Inside Corner Angle Filler	E55				
Wall Inside Corner Angle Filler Overlay	E55				
Wall Lateral Bi-Fold Cabinet	E23				
Wall Message Center	E51				
Wall Microwave Box	E43				
Wall Microwave Cabinet	E44				
Wall Microwave Cabinet w/Drawer	E46				
Wall Microwave Cabinet w/Drawer – Extended Opening	E46				
Wall Microwave Cabinet – Extended Opening	E45				
Wall Microwave Shelf	E43				
Wall Microwave Shelf Cabinet	E45				
Wall Multi-Storage Pantry	E20				
Wall Open Cabinet	E47				
Wall Pantry Pull-out	E20				

*Notes*

# Door Styles



**Alder**

**Alder:** Commonly used for a rustic look with knotholes, burls, wormholes and mineral streaks. Can create a modern/industrial look with a darker finish.

**Rustic:** Many wood species are at their best when displaying their naturally occurring knots, burls, wormholes, dramatic variations in color and mineral streaks.



**Cherry**

**Cherry:** Brings a rich, elegant feel. Common in fine furniture. Darkens or “mellows” with age. May contain small knots and pinholes for added character.

**Crafted:** This veneer is designed to give a consistent color and grain pattern on every door. It’s made from an engineered hardwood veneer to give the look of Quartersawn Maple, Oak or Cherry and is less susceptible to the expanding and contracting that comes with solid wood.



**Hickory**

**Hickory:** The hardest wood with the widest color variation. Random burls, knots, dramatic color contrast and mineral streaks give each Hickory kitchen a unique sensibility.



**Maple**

**Maple:** The go-to wood species - very uniform and predictable. As a result, it takes lighter stain and paint colors well. Predominantly off-white with light yellow- brown and pink hues, as well as occasional tan or dark mineral streaks.

**Crafted:** This veneer is designed to give a consistent color and grain pattern on every door. It’s made from an engineered hardwood veneer to give the look of Quartersawn Maple, Oak or Cherry and is less susceptible to the expanding and contracting that comes with solid wood.

**Rustic:** Many wood species are at their best when displaying their naturally occurring knots, burls, wormholes, dramatic variations in color and mineral streaks.



**Oak**

**Oak:** A versatile wood with rich textures and grain patterns that lends itself to practically any application. Some selections have naturally occurring green, yellow and black mineral deposits and may contain wide grain.

**Crafted:** This veneer is designed to give a consistent color and grain pattern on every door. It’s made from an engineered hardwood veneer to give the look of Quartersawn Maple, Oak or Cherry and is less susceptible to the expanding and contracting that comes with solid wood.

**Quartersawn:** The technique of cutting a tree at a nearly 90° angle, which creates a parallel and orderly feel to the grain - as opposed to the natural variances in the grains you’ll find with traditional woods.

## Foils

**High-Gloss Foil:** A contemporary look, that can bring that modern, high-design feel to your kitchen.

**Thermofoil:** A uniform, consistent, durable and easy-to-clean. Great for laundry rooms, mudrooms, bathrooms or other working spaces.

**Wood-Grain Foil:** Wood-grain foils create a contemporary look with the texture of abstract wood grain.

## Paint Grade

**EverCore®:** Delivers an especially smooth painted finish, with no cracks or shifts in the center panel. Extra-solid EverCore® doors and drawer fronts - made by super compressing wood fibers - have no grain, and react less to temperature and humidity compared to regular wood.

# Bromont

Full Overlay

AL4C4

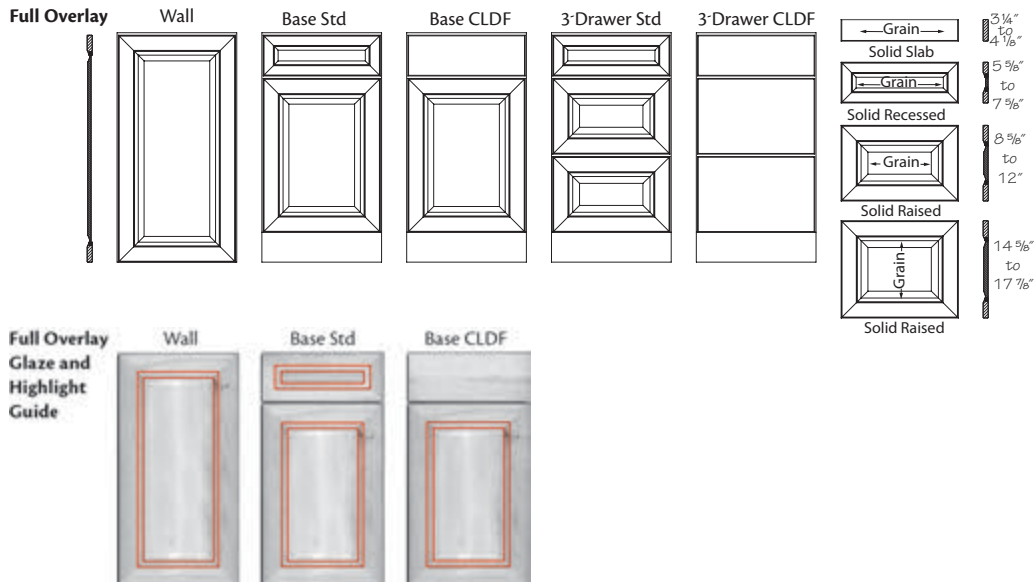
Cherry

AL4M4

Maple



Scan to view all Bromont doors



- Solid wood mitered door frame with 3" stiles and rails
- Square solid raised panel on wall and base doors
- Five-piece drawer front
- Classic Drawer Front (CLDF) option available
- Concealed hinge
- Hardware is required

## Decorative Doors & Inserts Available

### Aluminum Frame Glass

- Fresco Brushed Aluminum
- Vetro Brushed Aluminum

### Camed Glass

- Chateau
- Classic Camed Insert
- Palisades
- Penrose
- Victorian
- Yorkshire

### Classic Glass

- Bistro
- Prepared for Glass
- Prism
- Shadow

### Etched Glass

- Crossroads
- Lisbon
- Modern Frosted Insert
- Prairie
- Satina

### Layered Glass

- Antiquity
- Mirage
- Silk
- Wintersday

### Mullion Doors

- Ambry
- Castlegate
- Evansville
- Hewitt
- Showcase Mullion
- Traditional Mullion

### Specialty Inserts

- Chalkboard Insert
- Leather Insert

### Textured Glass

- Cascade
- Dolace
- Modern Textured Insert
- Moire
- Ravenna
- Styx
- Vauxhall



# Bromont Finishes

- ❖ Available as Standard
- Premium Upcharge

		Bromont Cherry	Bromont Maple
Autumn Blush	AB	❖	
Autumn Blush Suede	C21	●	
Autumn Blush W/Onyx Glaze	F81	●	
Autumn Blush W/Onyx Glaze Suede	F82	●	
Baltic	D78	❖	
Baltic Suede	D80	●	
Barley	E84	❖	❖
Barley Suede	E85	●	●
Bonsai	E69		●
Bonsai Suede	E70		●
Burmese	E67		●
Burmese Suede	E68		●
Cabernet	CT	❖	❖
Cabernet Suede	C80	●	●
Cabernet W/Onyx Glaze	F83	●	
Cabernet W/Onyx Glaze Suede	F84	●	
Camel	F68		●
Camel Suede	F69		●
Cannon Grey	D81	❖	❖
Cannon Grey Suede	D83	●	●
Canvas	CV		●
Canvas Suede	D37		●
Canvas W/Cinder Highlight	E87		●
Canvas W/Cinder Highlight Suede	E88		●
Canvas W/Cocoa Highlight Suede	E90		●
Canvas W/Cocoa Highlight	E89		●
Chestnut	CN	❖	
Chestnut Suede	C23	●	
Chestnut W/Onyx Glaze	F85		●
Chestnut W/Onyx Glaze Suede	F86		●
Chocolate	CC	❖	❖
Chocolate Suede	D87	●	●
Chocolate W/Ebony Glaze	F87	●	
Chocolate W/Ebony Glaze Suede	F88	●	
Cinnamon	CA	❖	❖
Cinnamon Suede	C74	●	●
Cinnamon W/Onyx Glaze	F89	●	●
Cinnamon W/Onyx Glaze Suede	F90	●	●
Cognac	CO	❖	❖
Cognac Suede	D85	●	●
Cottage	E80		●
Cottage Suede	E81		●
Distressed Barley	E86		●
Distressed Cabernet	C87		●
Distressed Cannon Grey	D82		●
Distressed Chestnut	C24		●
Distressed Chocolate	D86		●
Distressed Cinnamon	C75		●
Distressed Cognac	D84		●
Distressed Ginger	C20		●
Distressed Husk	C15		●
Distressed Kaffé	C28		●
Distressed Molasses	E60		●
Distressed Peppercorn	C86		●
Distressed Praline	C79		●
Distressed Saddle	C14		●
Distressed Slate	C73		●
Distressed Translucent Driftwood	F73		●
Distressed Translucent Limestone	E53		●
Distressed Translucent Phantom	F71		●
Dove White	DW		●
Dove White Suede	D40		●
Dove White W/Cinder Highlight	E93		●
Dove White W/Cinder Highlight Suede	E94		●
Dove White W/Cocoa Highlight	E95		●
Dove White W/Cocoa Highlight Suede	E96		●

		Bromont Cherry	Bromont Maple
Ginger	C88	❖	❖
Ginger Suede	C19	●	●
Ginger W/Sable Glaze	F91	●	●
Ginger W/Sable Glaze Suede	F92	●	●
Greyloft	B65		●
Greyloft Suede	D41		●
Greyloft W/Sable Highlight	E97		●
Greyloft W/Sable Highlight Suede	E98		●
Honey Spice	HS	❖	❖
Honey Spice Suede	D88	●	●
Husk	B82	❖	
Husk Suede	C13	●	
Kaffé	KA	❖	❖
Kaffé Suede	C27	●	●
Lagoon	E63		●
Lagoon Suede	E64		●
Linen	D90		●
Linen Suede	D93		●
Linen W/Cinder Highlight	E99		●
Linen W/Cinder Highlight Suede	F00		●
Linen W/Cocoa Highlight	F01		●
Linen W/Cocoa Highlight Suede	F02		●
Midnight	B69		●
Midnight Suede	D42		●
Midnight W/Onyx Highlight	F03		●
Midnight W/Onyx Highlight Suede	F04		●
Molasses	E58	❖	❖
Molasses Suede	E59	●	●
Moonshine	D98		●
Moonshine Suede	E02		●
Moonshine W/Cinder Highlight	F05		●
Moonshine W/Cinder Highlight Suede	F06		●
Moonshine W/Cocoa Highlight	F07		●
Moonshine W/Cocoa Highlight Suede	F08		●
Natural	NA	❖	❖
Natural Suede	D89	●	●
Onyx	A21		●
Onyx Suede	D44		●
Pebble Grey	B83		●
Pebble Grey Suede	D45		●
Pebble Grey W/Cocoa Highlight	F09		●
Pebble Grey W/Cocoa Highlight Suede	F10		●
Peppercorn	PC	❖	❖
Peppercorn Suede	D53	●	●
Praline	PR	❖	❖
Praline Suede	C78	●	●
Praline W/Onyx Glaze	F93		●
Praline W/Onyx Glaze Suede	F94		●
Rainfall	E82		●
Rainfall Suede	E83		●
Riverbed	F66		●
Riverbed Suede	F67		●
Rocky Mountain Sky	E61		●
Rocky Mountain Sky Suede	E62		●
Saddle	B81	❖	❖
Saddle Suede	C12	●	●
Slate	B64	❖	❖
Slate Suede	C72	●	●
Sunset	SU	❖	
Sunset Suede	D49	●	
Surfside	E65		●
Surfside Suede	E66		●
Translucent Driftwood	F72		●
Translucent Limestone	E52		●
Translucent Phantom	F70		●
Unfinished	UF	❖	❖

Warm White F63  
Warm White Suede F64

	Bromont Cherry	Bromont Maple
Warm White	●	
Warm White Suede	●	

# Brooks

Full Overlay

AL5C4

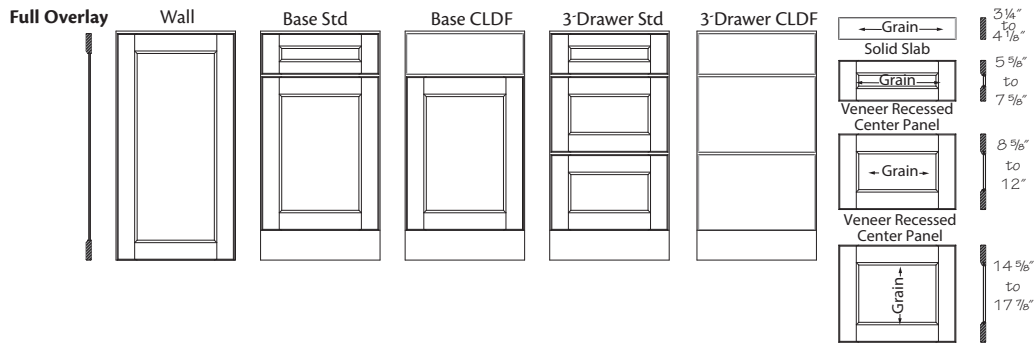
Cherry

AL5M4

Maple



Scan to view all Brooks doors



- Solid wood door frame with 3" stiles and rails
- Square veneer recessed panel on wall and base doors
- Five-piece drawer front
- Classic Drawer Front (CLDF) option available
- Concealed hinge
- Hardware is required

## Decorative Doors & Inserts Available

### Aluminum Frame Glass

- Fresco Brushed Aluminum
- Vetro Brushed Aluminum

### Camed Glass

- Chateau
- Classic Camed Insert
- Palisades
- Penrose
- Victorian
- Yorkshire

### Classic Glass

- Bistro
- Prepared for Glass
- Prism
- Shadow

### Etched Glass

- Crossroads
- Lisbon
- Modern Frosted Insert
- Prairie
- Satina

### Layered Glass

- Antiquity
- Mirage
- Silk
- Wintersday

### Mullion Doors

- Ambry
- Castlegate
- Evansville
- Hewitt
- Showcase Mullion
- Traditional Mullion

### Specialty Inserts

- Chalkboard Insert
- Leather Insert

### Textured Glass

- Cascade
- Dolace
- Modern Textured Insert
- Moire
- Ravenna
- Styx
- Vauxhall

# Brooks Finishes

- ❖ Available as Standard
- Premium Upcharge

		Brooks Cherry	Brooks Maple	AL5C4	AL5M4
Autumn Blush	AB	❖			
Autumn Blush Suede	C21	●			
Autumn Blush W/Onyx Glaze	F81	●			
Autumn Blush W/Onyx Glaze Suede	F82	●			
Baltic	D78	❖			
Baltic Suede	D80	●			
Barley	E84	❖	❖		
Barley Suede	E85	●	●		
Bonsai	E69		●		
Bonsai Suede	E70		●		
Burmese	E67		●		
Burmese Suede	E68		●		
Cabernet	CT	❖	❖		
Cabernet Suede	C80	●	●		
Cabernet W/Onyx Glaze	F83	●			
Cabernet W/Onyx Glaze Suede	F84	●			
Camel	F68		●		
Camel Suede	F69		●		
Cannon Grey	D81	❖	❖		
Cannon Grey Suede	D83	●	●		
Canvas	CV		●		
Canvas Suede	D37		●		
Canvas W/Cinder Highlight	E87		●		
Canvas W/Cinder Highlight Suede	E88		●		
Canvas W/Cocoa Highlight Suede	E90		●		
Canvas W/Cocoa Highlight	E89		●		
Chestnut	CN	❖			
Chestnut Suede	C23	●			
Chestnut W/Onyx Glaze	F85		●		
Chestnut W/Onyx Glaze Suede	F86		●		
Chocolate	CC	❖	❖		
Chocolate Suede	D87	●	●		
Chocolate W/Ebony Glaze	F87		●		
Chocolate W/Ebony Glaze Suede	F88		●		
Cinnamon	CA	❖	❖		
Cinnamon Suede	C74	●	●		
Cinnamon W/Onyx Glaze	F89	●	●		
Cinnamon W/Onyx Glaze Suede	F90	●	●		
Cognac	CO	❖	❖		
Cognac Suede	D85	●	●		
Cottage	E80		●		
Cottage Suede	E81		●		
Dove White	DW		●		
Dove White Suede	D40		●		
Dove White W/Cinder Highlight	E93		●		
Dove White W/Cinder Highlight Suede	E94		●		
Dove White W/Cocoa Highlight	E95		●		
Dove White W/Cocoa Highlight Suede	E96		●		
Ginger	C88	❖	❖		
Ginger Suede	C19	●	●		
Ginger W/Sable Glaze	F91	●	●		
Ginger W/Sable Glaze Suede	F92	●	●		
Greyloft	B65		●		
Greyloft Suede	D41		●		
Greyloft W/Sable Highlight	E97		●		
Greyloft W/Sable Highlight Suede	E98		●		
Honey Spice	HS	❖	❖		
Honey Spice Suede	D88	●	●		
Husk	B82	❖			
Husk Suede	C13	●			
Kaffé	KA	❖	❖		
Kaffé Suede	C27	●	●		
Lagoon	E63		●		
Lagoon Suede	E64		●		
Linen	D90		●		
Linen Suede	D93		●		

		Brooks Cherry	Brooks Maple	AL5C4	AL5M4
Linen W/Cinder Highlight	E99		●		
Linen W/Cinder Highlight Suede	F00		●		
Linen W/Cocoa Highlight	F01		●		
Linen W/Cocoa Highlight Suede	F02		●		
Midnight	B69		●		
Midnight Suede	D42		●		
Midnight W/Onyx Highlight	F03		●		
Midnight W/Onyx Highlight Suede	F04		●		
Molasses	E58	❖	❖		
Molasses Suede	E59	●	●		
Moonshine	D98		●		
Moonshine Suede	E02		●		
Moonshine W/Cinder Highlight	F05		●		
Moonshine W/Cinder Highlight Suede	F06		●		
Moonshine W/Cocoa Highlight	F07		●		
Moonshine W/Cocoa Highlight Suede	F08		●		
Natural	NA	❖	❖		
Natural Suede	D89	●	●		
Onyx	A21		●		
Onyx Suede	D44		●		
Pebble Grey	B83		●		
Pebble Grey Suede	D45		●		
Pebble Grey W/Cocoa Highlight	F09		●		
Pebble Grey W/Cocoa Highlight Suede	F10		●		
Peppercorn	PC	❖	❖		
Peppercorn Suede	D53	●	●		
Praline	PR	❖	❖		
Praline Suede	C78	●	●		
Praline W/Onyx Glaze	F93		●		
Praline W/Onyx Glaze Suede	F94		●		
Rainfall	E82		●		
Rainfall Suede	E83		●		
Riverbed	F66		●		
Riverbed Suede	F67		●		
Rocky Mountain Sky	E61		●		
Rocky Mountain Sky Suede	E62		●		
Saddle	B81	❖	❖		
Saddle Suede	C12	●	●		
Slate	B64	❖	❖		
Slate Suede	C72	●	●		
Sunset	SU	❖			
Sunset Suede	D49	●			
Surfside	E65		●		
Surfside Suede	E66		●		
Translucent Driftwood	F72		●		
Translucent Limestone	E52		●		
Translucent Phantom	F70		●		
Unfinished	UF	❖	❖		
Warm White	F63		●		
Warm White Suede	F64		●		

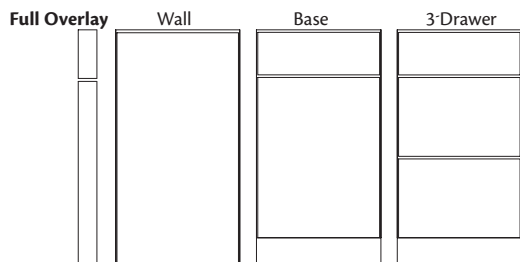
# Burnaby

Full Overlay

- AH9C4**            Crafted Cherry
- AH9M4**            Crafted Maple
- AH9O4**            Crafted Oak



Scan to view all Burnaby doors



- Quartersawn veneer slab on wall and base doors
- Quartersawn veneer slab drawer fronts
- Wood grain orientation on door and drawer fronts is vertical; **not** book matched between pieces
- Concealed hinge
- Hardware is required
- **Note:** Frame and End Panels of cabinets are supplied in plain-sawn corresponding material. For a more uniform look, consider using a decorative door to conceal exposed cabinet ends
- **Note:** Crafted doors are made from an engineered hardwood veneer to emulate the look of real Quartersawn Cherry, Maple or Oak. This material offers a more consistent color and grain pattern

## Decorative Doors & Inserts Available

### Aluminum Frame Glass

- Fresco Brushed Aluminum
- Vetro Brushed Aluminum

### Camed Glass

- Chateau
- Classic Camed Insert
- Palisades
- Penrose
- Victorian
- Yorkshire

### Classic Glass

- Bistro
- Prepared for Glass
- Prism
- Shadow

### Etched Glass

- Crossroads
- Lisbon
- Modern Frosted Insert
- Prairie
- Satina

### Layered Glass

- Antiquity
- Mirage
- Silk
- Wintersday

### Specialty Inserts

- Chalkboard Insert
- Leather Insert

### Textured Glass

- Cascade
- Dolace
- Modern Textured Insert
- Moire
- Ravenna
- Styx
- Vauxhall

# Burnaby Finishes

- ❖ Available as Standard
- Premium Upcharge

		AH9C4	Burnaby Crafted Cherry	AH9M4	Burnaby Crafted Maple	AH9O4	Burnaby Crafted Oak
Autumn Blush	AB	❖					❖
Autumn Blush Suede	C21	●					●
Baltic	D78	❖					❖
Baltic Suede	D80	●					●
Barley	E84	❖	❖	❖			❖
Barley Suede	E85	●	●	●			●
Cabernet	CT	❖	❖				
Cabernet Suede	C80	●	●				
Cannon Grey	D81	❖	❖	❖			
Cannon Grey Suede	D83	●	●	●			
Chestnut	CN		❖				
Chestnut Suede	C23		●				
Chocolate	CC	❖	❖				
Chocolate Suede	D87	●	●				
Cinnamon	CA	❖	❖				
Cinnamon Suede	C74	●	●				
Cognac	CO	❖	❖	❖			
Cognac Suede	D85	●	●	●			
Fawn	FN						❖
Fawn Suede	D51						●
Ginger	C88	❖	❖	❖			
Ginger Suede	C19	●	●	●			
Honey Spice	HS	❖	❖	❖			
Honey Spice Suede	D88	●	●	●			
Husk	B82	❖					❖
Husk Suede	C13	●					●
Kaffé	KA	❖	❖	❖			
Kaffé Suede	C27	●	●	●			
Molasses	E58	❖	❖	❖			
Molasses Suede	E59	●	●	●			
Natural	NA	❖	❖	❖			
Natural Suede	D89	●	●	●			
Peppercorn	PC	❖	❖	❖			
Peppercorn Suede	D53	●	●	●			
Praline	PR	❖	❖	❖			
Praline Suede	C78	●	●	●			
Saddle	B81	❖	❖	❖			
Saddle Suede	C12	●	●	●			
Slate	B64	❖	❖	❖			
Slate Suede	C72	●	●	●			
Sunset	SU	❖					
Sunset Suede	D49	●					
Unfinished	UF	❖	❖	❖			

# Carter

Full Overlay

AC1C4

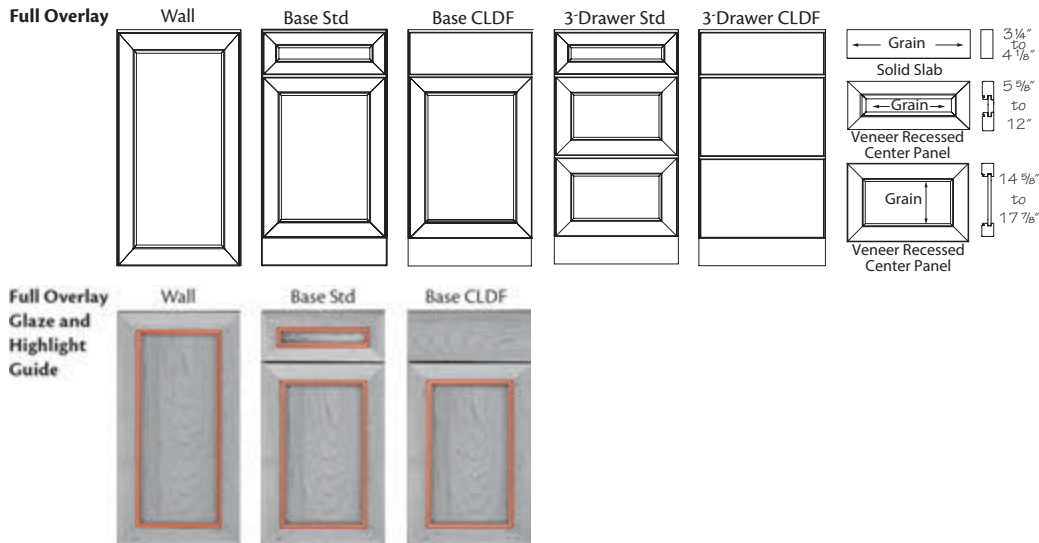
Cherry

AC1M4

Maple



Scan to view all Carter doors



- Solid wood mitered door frame with 2 5/8" stiles and rails
- Square veneer recessed panel on wall and base doors
- Five-piece drawer front
- Classic Drawer Front (CLDF) option available
- Concealed hinge
- Hardware is required
- **Note:** When CLDF option is applied, all drawer fronts will be slab

## Decorative Doors & Inserts Available

### Aluminum Frame Glass

- Fresco Brushed Aluminum
- Vetro Brushed Aluminum

### Camed Glass

- Chateau
- Classic Camed Insert
- Palisades
- Penrose
- Victorian
- Yorkshire

### Classic Glass

- Bistro
- Prepared for Glass
- Prism
- Shadow

### Etched Glass

- Crossroads
- Lisbon
- Modern Frosted Insert
- Prairie
- Satina

### Layered Glass

- Antiquity
- Mirage
- Silk
- Wintersday

### Mullion Doors

- Ambry
- Castlegate
- Evansville
- Hewitt
- Showcase Mullion
- Traditional Mullion

### Specialty Inserts

- Chalkboard Insert
- Leather Insert

### Textured Glass

- Cascade
- Dolace
- Modern Textured Insert
- Moire
- Ravenna
- Styx
- Vauxhall

# Carter Finishes

- ❖ Available as Standard
- Premium Upcharge

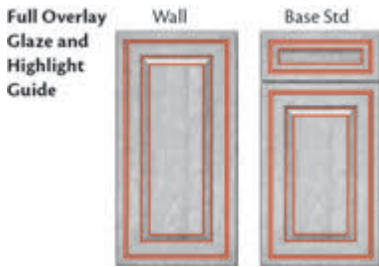
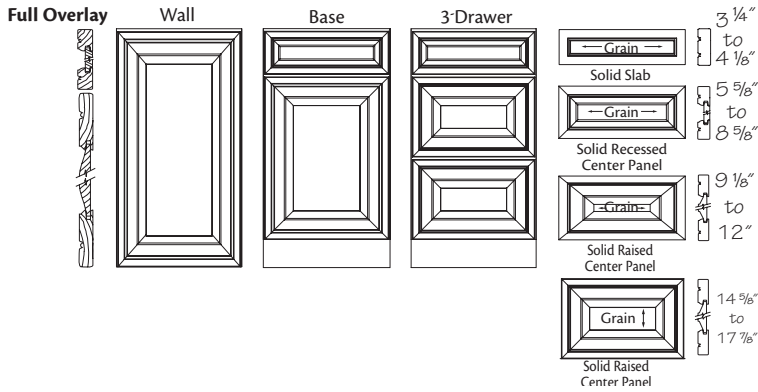
		Carter Cherry	Carter Maple
Autumn Blush	AB	❖	●
Autumn Blush Suede	C21	●	●
Autumn Blush W/Onyx Glaze	F81	●	●
Autumn Blush W/Onyx Glaze Suede	F82	●	●
Baltic	D78	❖	●
Baltic Suede	D80	●	●
Barley	E84	❖	❖
Barley Suede	E85	●	●
Bonsai	E69	●	●
Bonsai Suede	E70	●	●
Burmese	E67	●	●
Burmese Suede	E68	●	●
Cabernet	CT	❖	❖
Cabernet Suede	C80	●	●
Cabernet W/Onyx Glaze	F83	●	●
Cabernet W/Onyx Glaze Suede	F84	●	●
Camel	F68	●	●
Camel Suede	F69	●	●
Cannon Grey	D81	❖	❖
Cannon Grey Suede	D83	●	●
Canvas	CV	●	●
Canvas Suede	D37	●	●
Canvas W/Cinder Highlight	E87	●	●
Canvas W/Cinder Highlight Suede	E88	●	●
Canvas W/Cocoa Highlight Suede	E90	●	●
Canvas W/Cocoa Highlight	E89	●	●
Chestnut	CN	❖	❖
Chestnut Suede	C23	●	●
Chestnut W/Onyx Glaze	F85	●	●
Chestnut W/Onyx Glaze Suede	F86	●	●
Chocolate	CC	❖	❖
Chocolate Suede	D87	●	●
Chocolate W/Ebony Glaze	F87	●	●
Chocolate W/Ebony Glaze Suede	F88	●	●
Cinnamon	CA	❖	❖
Cinnamon Suede	C74	●	●
Cinnamon W/Onyx Glaze	F89	●	●
Cinnamon W/Onyx Glaze Suede	F90	●	●
Cognac	CO	❖	❖
Cognac Suede	D85	●	●
Cottage	E80	●	●
Cottage Suede	E81	●	●
Dove White	DW	●	●
Dove White Suede	D40	●	●
Dove White W/Cinder Highlight	E93	●	●
Dove White W/Cinder Highlight Suede	E94	●	●
Dove White W/Cocoa Highlight	E95	●	●
Dove White W/Cocoa Highlight Suede	E96	●	●
Ginger	C88	❖	❖
Ginger Suede	C19	●	●
Ginger W/Sable Glaze	F91	●	●
Ginger W/Sable Glaze Suede	F92	●	●
Greyloft	B65	●	●
Greyloft Suede	D41	●	●
Greyloft W/Sable Highlight	E97	●	●
Greyloft W/Sable Highlight Suede	E98	●	●
Honey Spice	HS	❖	❖
Honey Spice Suede	D88	●	●
Husk	B82	●	●
Husk Suede	C13	●	●
Kaffé	KA	❖	❖
Kaffé Suede	C27	●	●
Lagoon	E63	●	●
Lagoon Suede	E64	●	●

		Carter Cherry	Carter Maple
Linen	D90	●	●
Linen Suede	D93	●	●
Linen W/Cinder Highlight	E99	●	●
Linen W/Cinder Highlight Suede	F00	●	●
Linen W/Cocoa Highlight	F01	●	●
Linen W/Cocoa Highlight Suede	F02	●	●
Midnight	B69	●	●
Midnight Suede	D42	●	●
Midnight W/Onyx Highlight	F03	●	●
Midnight W/Onyx Highlight Suede	F04	●	●
Molasses	E58	❖	❖
Molasses Suede	E59	●	●
Moonshine	D98	●	●
Moonshine Suede	E02	●	●
Moonshine W/Cinder Highlight	F05	●	●
Moonshine W/Cinder Highlight Suede	F06	●	●
Moonshine W/Cocoa Highlight	F07	●	●
Moonshine W/Cocoa Highlight Suede	F08	●	●
Natural	NA	❖	❖
Natural Suede	D89	●	●
Onyx	A21	●	●
Onyx Suede	D44	●	●
Pebble Grey	B83	●	●
Pebble Grey Suede	D45	●	●
Pebble Grey W/Cocoa Highlight	F09	●	●
Pebble Grey W/Cocoa Highlight Suede	F10	●	●
Peppercorn	PC	❖	❖
Peppercorn Suede	D53	●	●
Praline	PR	❖	❖
Praline Suede	C78	●	●
Praline W/Onyx Glaze	F93	●	●
Praline W/Onyx Glaze Suede	F94	●	●
Rainfall	E82	●	●
Rainfall Suede	E83	●	●
Riverbed	F66	●	●
Riverbed Suede	F67	●	●
Rocky Mountain Sky	E61	●	●
Rocky Mountain Sky Suede	E62	●	●
Saddle	B81	❖	❖
Saddle Suede	C12	●	●
Slate	B64	❖	❖
Slate Suede	C72	●	●
Sunset	SU	❖	❖
Sunset Suede	D49	●	●
Surfside	E65	●	●
Surfside Suede	E66	●	●
Translucent Driftwood	F72	●	●
Translucent Limestone	E52	●	●
Translucent Phantom	F70	●	●
Unfinished	UF	❖	❖
Warm White	F63	●	●
Warm White Suede	F64	●	●

# Castlewood

Full Overlay

**CRC4** Cherry  
**CRM4** Maple



- Solid wood mitered door frame with 3" stiles and rails
- Square solid raised panel on wall and base doors
- Drawer front varies depending on height
- Concealed hinge
- Hardware is required

## Decorative Doors & Inserts Available

### Aluminum Frame Glass

- Fresco Brushed Aluminum
- Vetro Brushed Aluminum

### Camed Glass

- Chateau
- Classic Camed Insert
- Palisades
- Penrose
- Victorian
- Yorkshire

### Classic Glass

- Bistro
- Prepared for Glass
- Prism
- Shadow

### Etched Glass

- Crossroads
- Lisbon
- Modern Frosted Insert
- Prairie
- Satina

### Layered Glass

- Antiquity
- Mirage
- Silk
- Wintersday

### Mullion Doors

- Castlegate
- Evansville
- Hewitt
- Showcase Mullion
- Traditional Mullion

### Specialty Inserts

- Chalkboard Insert
- Leather Insert

### Textured Glass

- Cascade
- Dolace
- Modern Textured Insert
- Moire
- Ravenna
- Styx
- Vauxhall



# Castlewood Finishes

❖ Available as Standard  
● Premium Upcharge

		Castlewood Cherry	CRM4
Autumn Blush	AB	❖	
Autumn Blush Suede	C21	●	
Autumn Blush W/Onyx Glaze	F81	●	
Autumn Blush W/Onyx Glaze Suede	F82	●	
Baltic	D78	❖	
Baltic Suede	D80	●	
Barley	E84	❖	❖
Barley Suede	E85	●	●
Bonsai	E69		●
Bonsai Suede	E70		●
Burmese	E67		●
Burmese Suede	E68		●
Cabernet	CT	❖	❖
Cabernet Suede	C80	●	●
Cabernet W/Onyx Glaze	F83	●	
Cabernet W/Onyx Glaze Suede	F84	●	
Camel	F68		●
Camel Suede	F69		●
Cannon Grey	D81	❖	❖
Cannon Grey Suede	D83	●	●
Canvas	CV		●
Canvas Suede	D37		●
Canvas W/Cinder Highlight	E87		●
Canvas W/Cinder Highlight Suede	E88		●
Canvas W/Cocoa Highlight Suede	E90		●
Canvas W/Cocoa Highlight	E89		●
Chestnut	CN	❖	
Chestnut Suede	C23	●	
Chestnut W/Onyx Glaze	F85	●	
Chestnut W/Onyx Glaze Suede	F86	●	
Chocolate	CC	❖	❖
Chocolate Suede	D87	●	●
Chocolate W/Ebony Glaze	F87	●	
Chocolate W/Ebony Glaze Suede	F88	●	
Cinnamon	CA	❖	❖
Cinnamon Suede	C74	●	●
Cinnamon W/Onyx Glaze	F89	●	●
Cinnamon W/Onyx Glaze Suede	F90	●	●
Cognac	CO	❖	❖
Cognac Suede	D85	●	●
Cottage	E80		●
Cottage Suede	E81		●
Distressed Autumn Blush	C22	●	
Distressed Baltic	D79	●	●
Distressed Barley	E86	●	●
Distressed Cabernet	C87	●	●
Distressed Cannon Grey	D82	●	●
Distressed Chestnut	C24	●	●
Distressed Chocolate	D86	●	●
Distressed Cinnamon	C75	●	●
Distressed Cognac	D84	●	●
Distressed Ginger	C20	●	●
Distressed Husk	C15	●	●
Distressed Kaffé	C28	●	●
Distressed Molasses	E60	●	●
Distressed Peppercorn	C86	●	●
Distressed Praline	C79	●	●
Distressed Saddle	C14	●	●
Distressed Slate	C73	●	●
Distressed Sunset	D50	●	●
Distressed Translucent Driftwood	F73		●
Distressed Translucent Limestone	E53		●
Distressed Translucent Phantom	F71		●
Dove White	DW		●
Dove White Suede	D40		●
Dove White W/Cinder Highlight	E93		●
Dove White W/Cinder Highlight Suede	E94		●
Dove White W/Cocoa Highlight	E95		●
Dove White W/Cocoa Highlight Suede	E96		●

		Castlewood Cherry	CRM4
Ginger	C88	❖	❖
Ginger Suede	C19	●	●
Ginger W/Sable Glaze	F91	●	●
Ginger W/Sable Glaze Suede	F92	●	●
Greyloft	B65		●
Greyloft Suede	D41		●
Greyloft W/Sable Highlight	E97		●
Greyloft W/Sable Highlight Suede	E98		●
Honey Spice	HS	❖	❖
Honey Spice Suede	D88	●	●
Husk	B82	❖	
Husk Suede	C13	●	
Kaffé	KA	❖	❖
Kaffé Suede	C27	●	●
Lagoon	E63		●
Lagoon Suede	E64		●
Linen	D90		●
Linen Suede	D93		●
Linen W/Cinder Highlight	E99		●
Linen W/Cinder Highlight Suede	F00		●
Linen W/Cocoa Highlight	F01		●
Linen W/Cocoa Highlight Suede	F02		●
Midnight	B69		●
Midnight Suede	D42		●
Midnight W/Onyx Highlight	F03		●
Midnight W/Onyx Highlight Suede	F04		●
Molasses	E58	❖	❖
Molasses Suede	E59	●	●
Moonshine	D98		●
Moonshine Suede	E02		●
Moonshine W/Cinder Highlight	F05		●
Moonshine W/Cinder Highlight Suede	F06		●
Moonshine W/Cocoa Highlight	F07		●
Moonshine W/Cocoa Highlight Suede	F08		●
Natural	NA	❖	❖
Natural Suede	D89	●	●
Onyx	A21		●
Onyx Suede	D44		●
Pebble Grey	B83		●
Pebble Grey Suede	D45		●
Pebble Grey W/Cocoa Highlight	F09		●
Pebble Grey W/Cocoa Highlight Suede	F10		●
Peppercorn	PC	❖	❖
Peppercorn Suede	D53	●	●
Praline	PR	❖	❖
Praline Suede	C78	●	●
Praline W/Onyx Glaze	F93		●
Praline W/Onyx Glaze Suede	F94		●
Rainfall	E82		●
Rainfall Suede	E83		●
Riverbed	F66		●
Riverbed Suede	F67		●
Rocky Mountain Sky	E61		●
Rocky Mountain Sky Suede	E62		●
Saddle	B81	❖	❖
Saddle Suede	C12	●	●
Slate	B64	❖	❖
Slate Suede	C72	●	●
Sunset	SU	❖	
Sunset Suede	D49	●	
Surfside	E65		●
Surfside Suede	E66		●
Translucent Driftwood	F72		●
Translucent Limestone	E52		●
Translucent Phantom	F70		●
Unfinished	UF	❖	❖
Vintage Canvas	VC	●	
Vintage Canvas Suede	E42		
Vintage Cottage	F74	●	

		Castlewood Cherry	CRM4
Vintage Cottage Suede	F75	●	
Vintage Dove White	VD	●	
Vintage Dove White Suede	E44	●	
Vintage Greyloft	B67	●	
Vintage Greyloft Suede	E45	●	
Vintage Linen	D91	●	
Vintage Linen Suede	E46	●	
Vintage Midnight	B71	●	
Vintage Midnight Suede	E47	●	
Vintage Moonshine	D99	●	
Vintage Moonshine Suede	E48	●	
Vintage Onyx	VO	●	
Vintage Onyx Suede	E50	●	
Vintage Pebble Grey	B86	●	
Vintage Pebble Grey Suede	E51	●	
Vintage Warm White	F76	●	
Vintage Warm White Suede	F77	●	
Warm White	F63		●
Warm White Suede	F64		●

# Cole

Full Overlay

AJ1C4

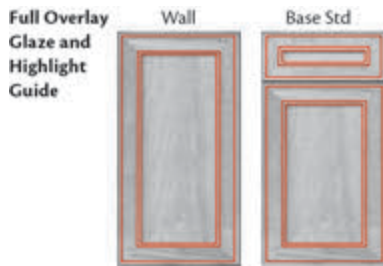
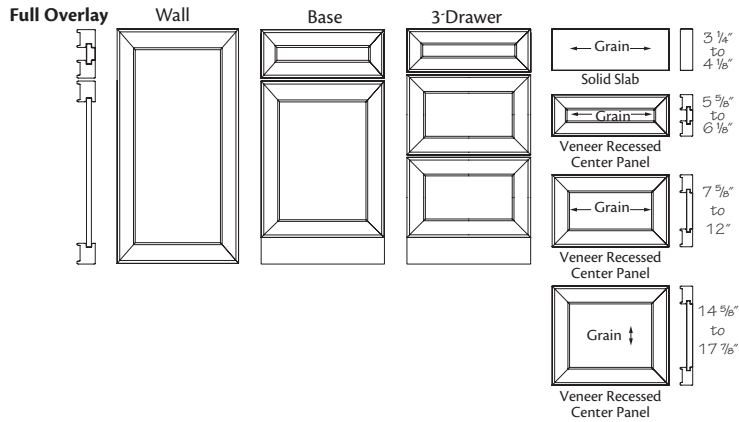
Cherry

AJ1M4

Maple



Scan to view all Cole doors



- Solid wood mitered door frame with 2 5/8" stiles and rails
- Square veneer recessed panel on wall and base doors
- Five-piece drawer front
- 5 5/8" and 6 1/8" high drawer fronts have 2 1/4" stiles and rails
- Hardware is required

## Decorative Doors & Inserts Available

### Aluminum Frame Glass

- Fresco Brushed Aluminum
- Vetro Brushed Aluminum

### Camed Glass

- Chateau
- Classic Camed Insert
- Palisades
- Penrose
- Victorian
- Yorkshire

### Classic Glass

- Bistro
- Prepared for Glass
- Prism
- Shadow

### Etched Glass

- Crossroads
- Lisbon
- Modern Frosted Insert
- Prairie
- Satina

### Layered Glass

- Antiquity
- Mirage
- Silk
- Wintersday

### Mullion Doors

- Ambry
- Castlegate
- Evansville
- Hewitt
- Showcase Mullion
- Traditional Mullion

### Specialty Inserts

- Chalkboard Insert
- Leather Insert

### Textured Glass

- Cascade
- Dolace
- Modern Textured Insert
- Moire
- Ravenna
- Styx
- Vauxhall

# Cole Finishes

- ◆ Available as Standard
- Premium Upcharge

		Cole Cherry	Cole Maple
Autumn Blush	AB	◆	
Autumn Blush Suede	C21	●	
Autumn Blush W/Onyx Glaze	F81	●	
Autumn Blush W/Onyx Glaze Suede	F82	●	
Baltic	D78	◆	
Baltic Suede	D80	●	
Barley	E84	◆	◆
Barley Suede	E85	●	●
Bonsai	E69	●	●
Bonsai Suede	E70	●	●
Burmese	E67	●	●
Burmese Suede	E68	●	●
Cabernet	CT	◆	◆
Cabernet Suede	C80	●	●
Cabernet W/Onyx Glaze	F83	●	
Cabernet W/Onyx Glaze Suede	F84	●	
Camel	F68	●	●
Camel Suede	F69	●	●
Cannon Grey	D81	◆	◆
Cannon Grey Suede	D83	●	●
Canvas	CV	●	●
Canvas Suede	D37	●	●
Canvas W/Cinder Highlight	E87	●	●
Canvas W/Cinder Highlight Suede	E88	●	●
Canvas W/Cocoa Highlight Suede	E90	●	●
Canvas W/Cocoa Highlight Suede	E89	●	●
Chestnut	CN	◆	
Chestnut Suede	C23	●	●
Chestnut W/Onyx Glaze	F85	●	●
Chestnut W/Onyx Glaze Suede	F86	●	●
Chocolate	CC	◆	◆
Chocolate Suede	D87	●	●
Chocolate W/Ebony Glaze	F87	●	●
Chocolate W/Ebony Glaze Suede	F88	●	●
Cinnamon	CA	◆	◆
Cinnamon Suede	C74	●	●
Cinnamon W/Onyx Glaze	F89	●	●
Cinnamon W/Onyx Glaze Suede	F90	●	●
Cognac	CO	◆	◆
Cognac Suede	D85	●	●
Cottage	E80	●	●
Cottage Suede	E81	●	●
Dove White	DW	●	●
Dove White Suede	D40	●	●
Dove White W/Cinder Highlight	E93	●	●
Dove White W/Cinder Highlight Suede	E94	●	●
Dove White W/Cocoa Highlight	E95	●	●
Dove White W/Cocoa Highlight Suede	E96	●	●
Ginger	C88	◆	◆
Ginger Suede	C19	●	●
Ginger W/Sable Glaze	F91	●	●
Ginger W/Sable Glaze Suede	F92	●	●
Greyloft	B65	●	●
Greyloft Suede	D41	●	●
Greyloft W/Sable Highlight	E97	●	●
Greyloft W/Sable Highlight Suede	E98	●	●
Honey Spice	HS	◆	◆
Honey Spice Suede	D88	●	●
Husk	B82	◆	
Husk Suede	C13	●	●
Kaffé	KA	◆	◆
Kaffé Suede	C27	●	●
Lagoon	E63	●	●
Lagoon Suede	E64	●	●
Linen	D90	●	●

		Cole Cherry	Cole Maple
Linen Suede	D93	●	●
Linen W/Cinder Highlight	E99	●	●
Linen W/Cinder Highlight Suede	F00	●	●
Linen W/Cocoa Highlight	F01	●	●
Linen W/Cocoa Highlight Suede	F02	●	●
Midnight	B69	●	●
Midnight Suede	D42	●	●
Midnight W/Onyx Highlight	F03	●	●
Midnight W/Onyx Highlight Suede	F04	●	●
Molasses	E58	◆	◆
Molasses Suede	E59	●	●
Moonshine	D98	●	●
Moonshine Suede	E02	●	●
Moonshine W/Cinder Highlight	F05	●	●
Moonshine W/Cinder Highlight Suede	F06	●	●
Moonshine W/Cocoa Highlight	F07	●	●
Moonshine W/Cocoa Highlight Suede	F08	●	●
Natural	NA	◆	◆
Natural Suede	D89	●	●
Onyx	A21	●	●
Onyx Suede	D44	●	●
Pebble Grey	B83	●	●
Pebble Grey Suede	D45	●	●
Pebble Grey W/Cocoa Highlight	F09	●	●
Pebble Grey W/Cocoa Highlight Suede	F10	●	●
Peppercorn	PC	◆	◆
Peppercorn Suede	D53	●	●
Praline	PR	◆	◆
Praline Suede	C78	●	●
Praline W/Onyx Glaze	F93	●	●
Praline W/Onyx Glaze Suede	F94	●	●
Rainfall	E82	●	●
Rainfall Suede	E83	●	●
Riverbed	F66	●	●
Riverbed Suede	F67	●	●
Rocky Mountain Sky	E61	●	●
Rocky Mountain Sky Suede	E62	●	●
Saddle	B81	◆	◆
Saddle Suede	C12	●	●
Slate	B64	◆	◆
Slate Suede	C72	●	●
Sunset	SU	◆	
Sunset Suede	D49	●	●
Surfside	E65	●	●
Surfside Suede	E66	●	●
Translucent Driftwood	F72	●	●
Translucent Limestone	E52	●	●
Translucent Phantom	F70	●	●
Unfinished	UF	◆	◆
Warm White	F63	●	●
Warm White Suede	F64	●	●

# Columbus

Full Overlay

**AJ3C4**

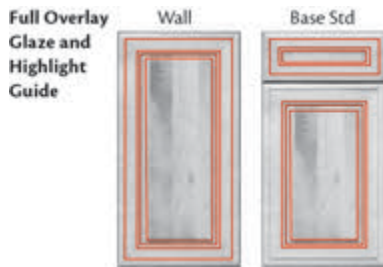
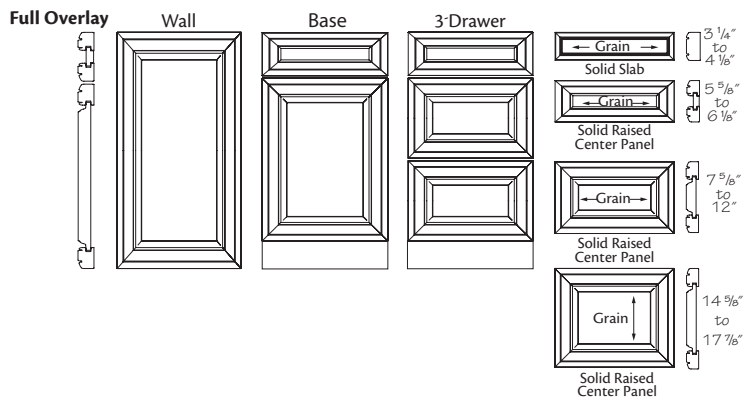
Cherry

**AJ3M4**

Maple



Scan to view all Columbus doors



- Solid wood mitered door frame with 2 5/8" stiles and rails
- Square solid raised panel on wall and base doors
- Five-piece drawer front
- 5 5/8" and 6 1/8" high drawer fronts have 2 1/4" stiles and rails
- Concealed hinge
- Hardware is required

## Decorative Doors & Inserts Available

### Aluminum Frame Glass

- Fresco Brushed Aluminum
- Vetro Brushed Aluminum

### Camed Glass

- Chateau
- Classic Camed Insert
- Palisades
- Penrose
- Victorian
- Yorkshire

### Classic Glass

- Bistro
- Prepared for Glass
- Prism
- Shadow

### Etched Glass

- Crossroads
- Lisbon
- Modern Frosted Insert
- Prairie
- Satina

### Layered Glass

- Antiquity
- Mirage
- Silk
- Wintersday

### Mullion Doors

- Ambry
- Castlegate
- Evansville
- Hewitt
- Showcase Mullion
- Traditional Mullion

### Specialty Inserts

- Chalkboard Insert
- Leather Insert

### Textured Glass

- Cascade
- Dolace
- Modern Textured Insert
- Moire
- Ravenna
- Styx
- Vauxhall

# Columbus Finishes

❖ Available as Standard  
● Premium Upcharge

		AJ3C4	AJ3M4
		Columbus Cherry	Columbus Maple
Autumn Blush	AB	❖	●
Autumn Blush Suede	C21	●	●
Autumn Blush W/Onyx Glaze	F81	●	●
Autumn Blush W/Onyx Glaze Suede	F82	●	●
Baltic	D78	❖	❖
Baltic Suede	D80	●	●
Barley	E84	❖	❖
Barley Suede	E85	●	●
Bonsai	E69	●	●
Bonsai Suede	E70	●	●
Burmese	E67	●	●
Burmese Suede	E68	●	●
Cabernet	CT	❖	❖
Cabernet Suede	C80	●	●
Cabernet W/Onyx Glaze	F83	●	●
Cabernet W/Onyx Glaze Suede	F84	●	●
Camel	F68	●	●
Camel Suede	F69	●	●
Cannon Grey	D81	❖	❖
Cannon Grey Suede	D83	●	●
Canvas	CV	●	●
Canvas Suede	D37	●	●
Canvas W/Cinder Highlight	E87	●	●
Canvas W/Cinder Highlight Suede	E88	●	●
Canvas W/Cocoa Highlight Suede	E90	●	●
Canvas W/Cocoa Highlight Suede	E89	●	●
Chestnut	CN	❖	❖
Chestnut Suede	C23	●	●
Chestnut W/Onyx Glaze	F85	●	●
Chestnut W/Onyx Glaze Suede	F86	●	●
Chocolate	CC	❖	❖
Chocolate Suede	D87	●	●
Chocolate W/Ebony Glaze	F87	●	●
Chocolate W/Ebony Glaze Suede	F88	●	●
Cinnamon	CA	❖	❖
Cinnamon Suede	C74	●	●
Cinnamon W/Onyx Glaze	F89	●	●
Cinnamon W/Onyx Glaze Suede	F90	●	●
Cognac	CO	❖	❖
Cognac Suede	D85	●	●
Cottage	E80	●	●
Cottage Suede	E81	●	●
Distressed Autumn Blush	C22	●	●
Distressed Baltic	D79	●	●
Distressed Barley	E86	●	●
Distressed Cabernet	C87	●	●
Distressed Cannon Grey	D82	●	●
Distressed Chestnut	C24	●	●
Distressed Chocolate	D86	●	●
Distressed Cinnamon	C75	●	●
Distressed Cognac	D84	●	●
Distressed Ginger	C20	●	●
Distressed Husk	C15	●	●
Distressed Kaffé	C28	●	●
Distressed Molasses	E60	●	●
Distressed Peppercorn	C86	●	●
Distressed Praline	C79	●	●
Distressed Saddle	C14	●	●
Distressed Slate	C73	●	●
Distressed Sunset	D50	●	●
Distressed Translucent Driftwood	F73	●	●
Distressed Translucent Limestone	E53	●	●
Distressed Translucent Phantom	F71	●	●
Dove White	DW	●	●
Dove White Suede	D40	●	●

		AJ3C4	AJ3M4
		Columbus Cherry	Columbus Maple
Dove White W/Cinder Highlight	E93	●	●
Dove White W/Cinder Highlight Suede	E94	●	●
Dove White W/Cocoa Highlight	E95	●	●
Dove White W/Cocoa Highlight Suede	E96	●	●
Ginger	C88	❖	❖
Ginger Suede	C19	●	●
Ginger W/Sable Glaze	F91	●	●
Ginger W/Sable Glaze Suede	F92	●	●
Greyloft	B65	●	●
Greyloft Suede	D41	●	●
Greyloft W/Sable Highlight	E97	●	●
Greyloft W/Sable Highlight Suede	E98	●	●
Honey Spice	HS	❖	❖
Honey Spice Suede	D88	●	●
Husk	B82	❖	❖
Husk Suede	C13	●	●
Kaffé	KA	❖	❖
Kaffé Suede	C27	●	●
Lagoon	E63	●	●
Lagoon Suede	E64	●	●
Linen	D90	●	●
Linen Suede	D93	●	●
Linen W/Cinder Highlight	E99	●	●
Linen W/Cinder Highlight Suede	F00	●	●
Linen W/Cocoa Highlight	F01	●	●
Linen W/Cocoa Highlight Suede	F02	●	●
Midnight	B69	●	●
Midnight Suede	D42	●	●
Midnight W/Onyx Highlight	F03	●	●
Midnight W/Onyx Highlight Suede	F04	●	●
Molasses	E58	❖	❖
Molasses Suede	E59	●	●
Moonshine	D98	●	●
Moonshine Suede	E02	●	●
Moonshine W/Cinder Highlight	F05	●	●
Moonshine W/Cinder Highlight Suede	F06	●	●
Moonshine W/Cocoa Highlight	F07	●	●
Moonshine W/Cocoa Highlight Suede	F08	●	●
Natural	NA	❖	❖
Natural Suede	D89	●	●
Onyx	A21	●	●
Onyx Suede	D44	●	●
Pebble Grey	B83	●	●
Pebble Grey Suede	D45	●	●
Pebble Grey W/Cocoa Highlight	F09	●	●
Pebble Grey W/Cocoa Highlight Suede	F10	●	●
Peppercorn	PC	❖	❖
Peppercorn Suede	D53	●	●
Praline	PR	❖	❖
Praline Suede	C78	●	●
Praline W/Onyx Glaze	F93	●	●
Praline W/Onyx Glaze Suede	F94	●	●
Rainfall	E82	●	●
Rainfall Suede	E83	●	●
Riverbed	F66	●	●
Riverbed Suede	F67	●	●
Rocky Mountain Sky	E61	●	●
Rocky Mountain Sky Suede	E62	●	●
Saddle	B81	❖	❖
Saddle Suede	C12	●	●
Slate	B64	❖	❖
Slate Suede	C72	●	●
Sunset	SU	❖	❖
Sunset Suede	D49	●	●
Surfside	E65	●	●

		AJ3C4	AJ3M4
		Columbus Cherry	Columbus Maple
Surfside Suede	E66	●	●
Translucent Driftwood	F72	●	●
Translucent Limestone	E52	●	●
Translucent Phantom	F70	●	●
Unfinished	UF	❖	❖
Vintage Canvas	VC	●	●
Vintage Canvas Suede	E42	●	●
Vintage Cottage	F74	●	●
Vintage Cottage Suede	F75	●	●
Vintage Dove White	VD	●	●
Vintage Dove White Suede	E44	●	●
Vintage Greyloft	B67	●	●
Vintage Greyloft Suede	E45	●	●
Vintage Linen	D91	●	●
Vintage Linen Suede	E46	●	●
Vintage Midnight	B71	●	●
Vintage Midnight Suede	E47	●	●
Vintage Moonshine	D99	●	●
Vintage Moonshine Suede	E48	●	●
Vintage Onyx	VO	●	●
Vintage Onyx Suede	E50	●	●
Vintage Pebble Grey	B86	●	●
Vintage Pebble Grey Suede	E51	●	●
Vintage Warm White	F76	●	●
Vintage Warm White Suede	F77	●	●
Warm White	F63	●	●
Warm White Suede	F64	●	●

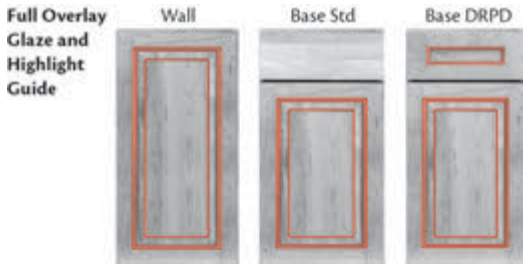
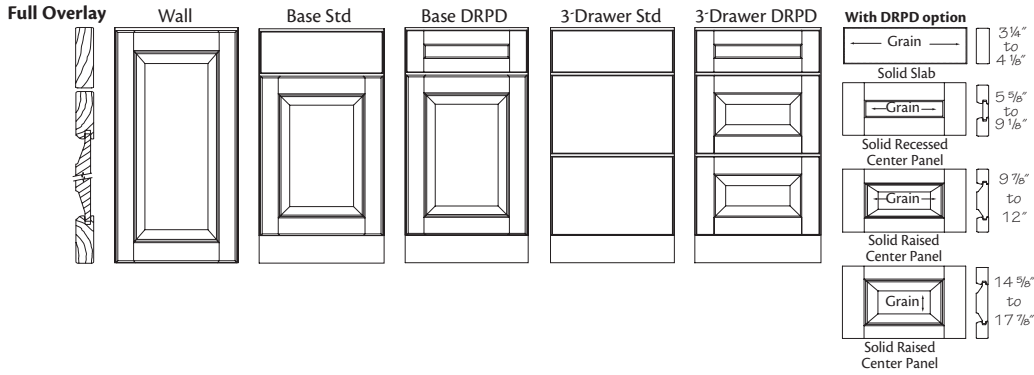
# Dillon

Full Overlay

<b>WLCC4</b>	Cherry
<b>WLM4</b>	Maple
<b>WLO4</b>	Oak
<b>WLA4</b>	Rustic Alder
<b>DAH4</b>	Rustic Hickory
<b>AC6M4</b>	Rustic Maple



Scan to view all Dillon doors



- Solid wood door frame with 2 3/4" stiles and rails
- Square solid raised panel on wall and base doors
- Slab drawer front
- Deluxe Raised Panel Drawer (DRPD) front available
- Concealed hinge
- Hardware is required
- **Note:** Rustic door styles feature knotty or character wood. It contains character marks such as heartwood, worm holes and mineral streaks of varying size. Components of these doors are chosen at random, with the appearance of each individual door varying widely from very rustic to relatively clear and unmarked

## Decorative Doors & Inserts Available

### Aluminum Frame Glass

- Fresco Brushed Aluminum
- Vetro Brushed Aluminum

### Camed Glass

- Chateau
- Classic Camed Insert
- Palisades
- Penrose
- Victorian
- Yorkshire

### Classic Glass

- Bistro
- Prepared for Glass
- Prism
- Shadow

### Etched Glass

- Crossroads
- Lisbon
- Modern Frosted Insert
- Prairie
- Satina

### Layered Glass

- Antiquity
- Mirage
- Silk
- Wintersday

### Mullion Doors

- Ambry ▲
- Castlegate ▲
- Evansville ▲
- Hewitt ▲
- Showcase Mullion ▲
- Traditional Mullion ▲

### Specialty Inserts

- Chalkboard Insert
- Leather Insert

### Textured Glass

- Cascade
- Dolace
- Modern Textured Insert
- Moire
- Ravenna
- Styx
- Vauxhall

▲ Only available in Cherry, Maple & Oak door styles; **not** available in Rustic door styles



# Dillon Finishes continued

- ❖ Available as Standard
- Premium Upcharge

		WLCC4	WLM4	WLO4	WLA4	DAH4	AC6M4
		Dillon Cherry	Dillon Maple	Dillon Oak	Dillon Rustic Alder	Dillon Rustic Hickory	Dillon Rustic Maple
Vintage Midnight	B71	●					
Vintage Midnight Suede	E47	●					
Vintage Moonshine	D99	●					
Vintage Moonshine Suede	E48	●					
Vintage Onyx	VO	●					
Vintage Onyx Suede	E50	●					
Vintage Pebble Grey	B86	●					
Vintage Pebble Grey Suede	E51	●					
Vintage Warm White	F76	●					
Vintage Warm White Suede	F77	●					
Warm White	F63		●				
Warm White Suede	F64		●				



**Notes**

# Ellery

1/2" Overlay

AL3C4

Cherry

AL3M4

Maple

Full Overlay

AL2C4

Cherry

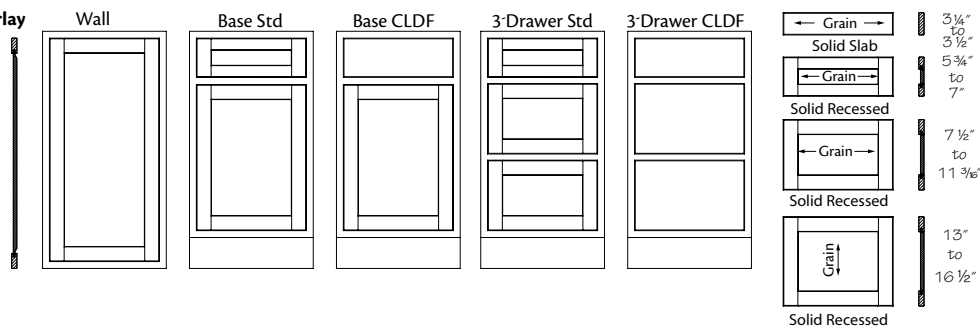
AL2M4

Maple

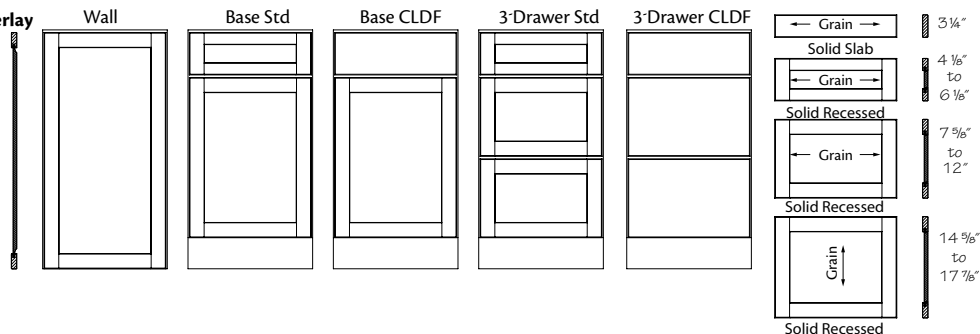


Scan to view all Ellery doors

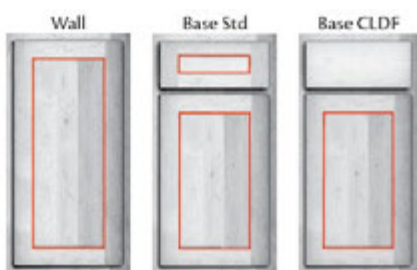
1/2" Overlay



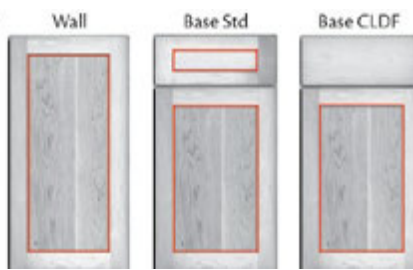
Full Overlay



1/2" Overlay Glaze and Highlight Guide



Full Overlay Glaze and Highlight Guide



- Solid wood door frame with 2 3/16" stiles and rails
- Square solid recessed panel on wall and base doors
- Five-piece drawer front
- Classic Drawer Front (CLDF) option available
- Concealed hinge
- Finger Pull Routing is available on 1/2" overlay
- Hardware is required

## Decorative Doors & Inserts Available

### Aluminum Frame Glass

- Fresco Brushed Aluminum ■
- Vetro Brushed Aluminum ■

### Camed Glass

- Chateau
- Classic Camed Insert ■
- Palisades
- Penrose
- Victorian
- Yorkshire

### Classic Glass

- Bistro
- Prepared for Glass
- Prism
- Shadow

### Etched Glass

- Crossroads
- Lisbon
- Modern Frosted Insert ■
- Prairie
- Satina

### Layered Glass

- Antiquity
- Mirage
- Silk
- Wintersday

### Mullion Doors

- Ambry ■
- Castlegate ■
- Evansville ■
- Hewitt ■
- Palladia ■
- Raleigh ■
- Showcase Mullion
- Traditional Mullion

### Specialty Inserts

- Chalkboard Insert
- Leather Insert

### Textured Glass

- Cascade
- Dolace
- Modern Textured Insert ■
- Moire
- Ravenna
- Styx
- Vauxhall

■ Only available in full overlay door styles



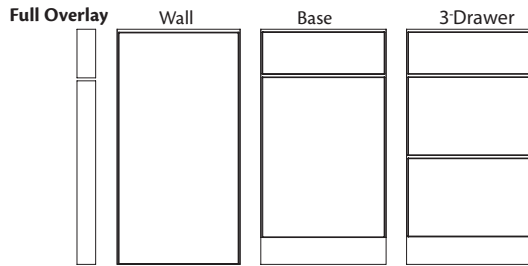
# Fielding

Full Overlay

- AH7C4** Cherry
- AH7M4** Maple
- AH7O4** Oak



Scan to view all Fielding doors



- Slab design has veneer slab on wall and base doors
- Slab drawer front
- Wood grain orientation is vertical on door and horizontal on drawer front; **not** book matched between pieces
- Concealed hinge
- Hardware is required
- **Note:** Doors and drawer fronts are created using veneer components from various logs of the same specie and are arranged in a deliberate mismatched manner to achieve a natural solid wood effect

## Decorative Doors & Inserts Available

### Aluminum Frame Glass

- Fresco Brushed Aluminum
- Vetro Brushed Aluminum

### Camed Glass

- Chateau
- Classic Camed Insert
- Palisades
- Penrose
- Victorian
- Yorkshire

### Classic Glass

- Bistro
- Prepared for Glass
- Prism
- Shadow

### Etched Glass

- Crossroads
- Lisbon
- Modern Frosted Insert
- Prairie
- Satina

### Layered Glass

- Antiquity
- Mirage
- Silk
- Wintersday

### Specialty Inserts

- Chalkboard Insert
- Leather Insert

### Textured Glass

- Cascade
- Dolace
- Modern Textured Insert
- Moire
- Ravenna
- Styx
- Vauxhall

# Fielding Finishes

- ❖ Available as Standard
- Premium Upcharge

		Fielding Cherry	Fielding Maple	Fielding Oak
		AH7C4	AH7M4	AH7O4
Autumn Blush	AB	❖		❖
Autumn Blush Suede	C21	●		●
Baltic	D78	❖		❖
Baltic Suede	D80	●		●
Barley	E84	❖	❖	❖
Barley Suede	E85	●	●	●
Bonsai	E69		●	
Bonsai Suede	E70		●	
Burmese	E67		●	
Burmese Suede	E68		●	
Cabernet	CT	❖	❖	
Cabernet Suede	C80	●	●	●
Camel	F68		●	
Camel Suede	F69		●	
Cannon Grey	D81	❖	❖	❖
Cannon Grey Suede	D83	●	●	●
Canvas	CV		●	
Canvas Suede	D37		●	
Chestnut	CN		❖	
Chestnut Suede	C23		●	
Chocolate	CC	❖	❖	
Chocolate Suede	D87	●	●	●
Cinnamon	CA	❖	❖	
Cinnamon Suede	C74	●	●	●
Cognac	CO	❖	❖	❖
Cognac Suede	D85	●	●	●
Cottage	E80		●	
Cottage Suede	E81		●	
Dove White	DW		●	
Dove White Suede	D40		●	
Fawn	FN			❖
Fawn Suede	D51			●
Ginger	C88	❖	❖	❖
Ginger Suede	C19	●	●	●
Greyloft	B65		●	
Greyloft Suede	D41		●	
Honey Spice	HS	❖	❖	❖
Honey Spice Suede	D88	●	●	●
Husk	B82	❖		❖
Husk Suede	C13	●		●
Kaffé	KA	❖	❖	❖
Kaffé Suede	C27	●	●	●
Lagoon	E63		●	
Lagoon Suede	E64		●	
Linen	D90		●	
Linen Suede	D93		●	
Midnight	B69		●	
Midnight Suede	D42		●	
Molasses	E58	❖	❖	❖
Molasses Suede	E59	●	●	●
Moonshine	D98		●	
Moonshine Suede	E02		●	
Natural	NA	❖	❖	❖
Natural Suede	D89	●	●	●
Onyx	A21		●	●
Onyx Suede	D44		●	●
Pebble Grey	B83		●	
Pebble Grey Suede	D45		●	
Peppercorn	PC	❖	❖	❖
Peppercorn Suede	D53	●	●	●
Praline	PR	❖	❖	❖
Praline Suede	C78	●	●	●
Rainfall	E82		●	
Rainfall Suede	E83		●	

		Fielding Cherry	Fielding Maple	Fielding Oak
		AH7C4	AH7M4	AH7O4
Riverbed	F66		●	
Riverbed Suede	F67		●	
Rocky Mountain Sky	E61		●	
Rocky Mountain Sky Suede	E62		●	
Saddle	B81	❖	❖	❖
Saddle Suede	C12	●	●	●
Slate	B64	❖	❖	❖
Slate Suede	C72	●	●	●
Sunset	SU	❖		
Sunset Suede	D49	●		
Surfside	E65		●	
Surfside Suede	E66		●	
Translucent Driftwood	F72		●	●
Translucent Limestone	E52		●	●
Translucent Phantom	F70		●	●
Unfinished	UF	❖	❖	❖
Warm White	F63		●	
Warm White Suede	F64		●	

# Fox Hill



Scan to view all Fox Hill doors

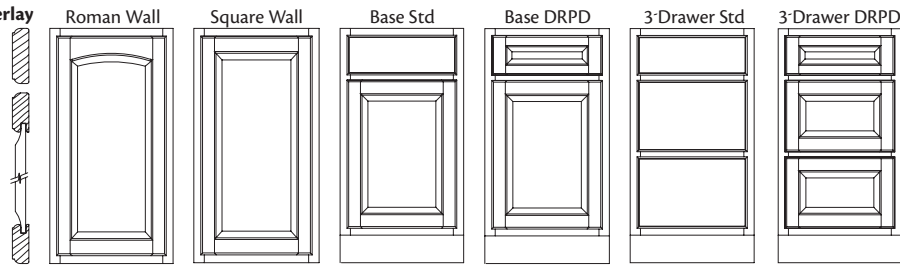
1/2" Overlay

<b>AB8C4</b>	Cherry Roman
<b>AB7C4</b>	Cherry Square
<b>AB8H4</b>	Hickory Roman
<b>AB7H4</b>	Hickory Square
<b>AB8M4</b>	Maple Roman
<b>AB7M4</b>	Maple Square
<b>AB8O4</b>	Oak Roman
<b>AB7O4</b>	Oak Square

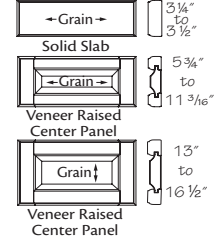
Full Overlay

<b>AC0C4</b>	Cherry Roman
<b>AB9C4</b>	Cherry Square
<b>AC0H4</b>	Hickory Roman
<b>AB9H4</b>	Hickory Square
<b>AC0M4</b>	Maple Roman
<b>AB9M4</b>	Maple Square
<b>AC0O4</b>	Oak Roman
<b>AB9O4</b>	Oak Square

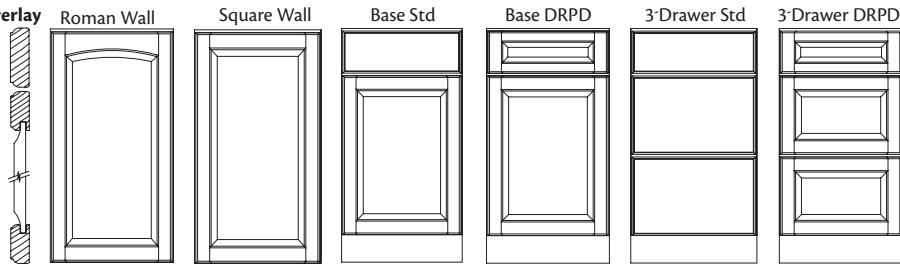
1/2" Overlay



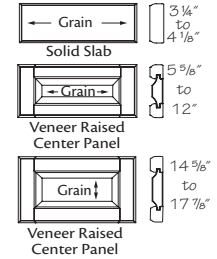
With DRPD option



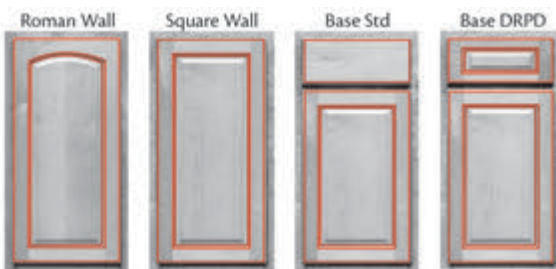
Full Overlay



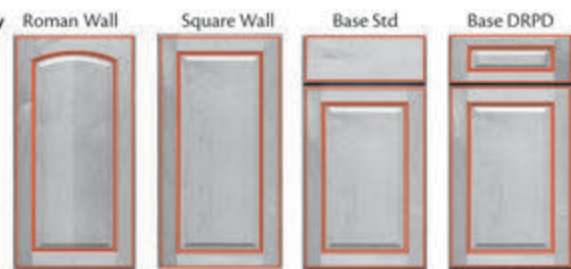
With DRPD option



1/2" Overlay Highlight Guide



Full Overlay Glaze and Highlight Guide



- Solid wood door frame with 2 3/16" stiles and rails
- Square design has veneer raised panel on wall and base doors
- Roman design has arched veneer raised panels on wall cabinets and the top door of Tall cabinets; base doors will be square
- Slab drawer front
- Deluxe Raised Panel Drawer (DRPD) front available
- Concealed hinge
- Hardware is required for full overlay
- Finger Pull Routing is available on 1/2" overlay

# Fox Hill continued

## Decorative Doors & Inserts Available

### Aluminum Frame Glass

- Fresco Brushed Aluminum ■
- Vetro Brushed Aluminum ■

### Camed Glass

- Chateau
- Classic Camed Insert ■
- Palisades
- Penrose
- Victorian
- Yorkshire

### Classic Glass

- Bistro
- Prepared for Glass
- Prism ★
- Shadow

### Etched Glass

- Crossroads
- Lisbon
- Modern Frosted Insert ■ ★
- Prairie
- Satina

### Layered Glass

- Antiquity
- Mirage
- Silk
- Wintersday

### Mullion Doors

- Castlegate ■
- Evansville ■
- Hewitt ■
- Palladia ■ ▲
- Raleigh ■ ▲
- Showcase Mullion
- Traditional Mullion

### Specialty Inserts

- Chalkboard Insert
- Leather Insert

### Textured Glass

- Cascade
- Dolace
- Modern Textured Insert ■
- Moire
- Ravenna
- Styx
- Vauxhall

■ Only available in full overlay door styles

★ **Not** available in Roman door styles

▲ Only available in Cherry & Maple door styles

# Fox Hill Finishes

❖ Available as Standard  
 ● Premium Upcharge

		AC0C4	AB8C4	AB9C4	AB7C4	AC0H4	AB8H4	AB9H4	AB7H4	AC0M4	AB8M4	AB9M4	AB7M4	AC0O4	AB8O4	AB9O4	AB7O4
		Fox Hill Cherry Roman - Full	Fox Hill Cherry Roman - Half	Fox Hill Cherry Square - Full	Fox Hill Cherry Square - Half	Fox Hill Hickory Roman - Full	Fox Hill Hickory Roman - Half	Fox Hill Hickory Square - Full	Fox Hill Hickory Square - Half	Fox Hill Maple Roman - Full	Fox Hill Maple Roman - Half	Fox Hill Maple Square - Full	Fox Hill Maple Square - Half	Fox Hill Oak Roman - Full	Fox Hill Oak Roman - Half	Fox Hill Oak Square - Full	Fox Hill Oak Square - Half
Autumn Blush	AB	❖	❖	❖	❖									❖	❖	❖	❖
Autumn Blush Suede	C21	●	●	●	●												
Autumn Blush W/Onyx Glaze	F81	●	●	●	●									●	●	●	●
Autumn Blush W/Onyx Glaze Suede	F82	●	●	●	●									●	●	●	●
Baltic	D78	❖	❖	❖	❖									❖	❖	❖	❖
Baltic Suede	D80	●	●	●	●									●	●	●	●
Barley	E84	❖	❖	❖	❖	❖	❖	❖	❖	❖	❖	❖	❖	❖	❖	❖	❖
Barley Suede	E85	●	●	●	●	●	●	●	●	●	●	●	●	●	●	●	●
Bonsai	E69									●	●	●	●				
Bonsai Suede	E70									●	●	●	●				
Burmese	E67									●	●	●	●				
Burmese Suede	E68									●	●	●	●				
Cabernet	CT	❖	❖	❖	❖					❖	❖	❖	❖				
Cabernet Suede	C80	●	●	●	●					●	●	●	●				
Cabernet W/Onyx Glaze	F83	●	●	●	●												
Cabernet W/Onyx Glaze Suede	F84	●	●	●	●												
Camel	F68									●	●	●	●				
Camel Suede	F69									●	●	●	●				
Cannon Grey	D81	❖	❖	❖	❖					❖	❖	❖	❖	❖	❖	❖	❖
Cannon Grey Suede	D83	●	●	●	●					●	●	●	●	●	●	●	●
Canvas	CV																
Canvas Suede	D37									●	●	●	●				
Canvas W/Cinder Highlight	E87									●	●	●	●				
Canvas W/Cinder Highlight Suede	E88									●	●	●	●				
Canvas W/Cocoa Highlight	E90									●	●	●	●				
Canvas W/Cocoa Highlight Suede	E89									●	●	●	●				
Chestnut	CN									❖	❖	❖	❖				
Chestnut Suede	C23									●	●	●	●				
Chestnut W/Onyx Glaze	F85									●	●	●	●				
Chestnut W/Onyx Glaze Suede	F86									●	●	●	●				
Chocolate	CC	❖	❖	❖	❖					❖	❖	❖	❖				
Chocolate Suede	D87	●	●	●	●					●	●	●	●				
Chocolate W/Ebony Glaze	F87	●	●	●	●												
Chocolate W/Ebony Glaze Suede	F88	●	●	●	●												
Cinnamon	CA	❖	❖	❖	❖					❖	❖	❖	❖				
Cinnamon Suede	C74	●	●	●	●					●	●	●	●				
Cinnamon W/Onyx Glaze	F89	●	●	●	●					●	●	●	●				
Cinnamon W/Onyx Glaze Suede	F90	●	●	●	●					●	●	●	●				
Cognac	CO	❖	❖	❖	❖	❖	❖	❖	❖	❖	❖	❖	❖	❖	❖	❖	❖
Cognac Suede	D85	●	●	●	●	●	●	●	●	●	●	●	●	●	●	●	●
Cottage	E80									●	●	●	●				
Cottage Suede	E81									●	●	●	●				
Dove White	DW									●	●	●	●				
Dove White Suede	D40									●	●	●	●				
Dove White W/Cinder Highlight	E93									●	●	●	●				
Dove White W/Cinder Highlight Suede	E94									●	●	●	●				
Dove White W/Cocoa Highlight	E95									●	●	●	●				
Dove White W/Cocoa Highlight Suede	E96									●	●	●	●				
Fawn	FN													❖	❖	❖	❖
Fawn Suede	D51													●	●	●	●
Ginger	C88	❖	❖	❖	❖	❖	❖	❖	❖	❖	❖	❖	❖	❖	❖	❖	❖
Ginger Suede	C19	●	●	●	●	●	●	●	●	●	●	●	●	●	●	●	●
Ginger W/Sable Glaze	F91	●	●	●	●	●	●	●	●	●	●	●	●	●	●	●	●
Ginger W/Sable Glaze Suede	F92	●	●	●	●	●	●	●	●	●	●	●	●	●	●	●	●
Greyloft	B65									●	●	●	●				
Greyloft Suede	D41									●	●	●	●				
Greyloft W/Sable Highlight	E97									●	●	●	●				
Greyloft W/Sable Highlight Suede	E98									●	●	●	●				
Honey Spice	HS	❖	❖	❖	❖	❖	❖	❖	❖	❖	❖	❖	❖	❖	❖	❖	❖
Honey Spice Suede	D88	●	●	●	●	●	●	●	●	●	●	●	●	●	●	●	●
Husk	B82	❖	❖	❖	❖	❖	❖	❖	❖					❖	❖	❖	❖
Husk Suede	C13	●	●	●	●	●	●	●	●					●	●	●	●
Kaffé	KA	❖	❖	❖	❖	❖	❖	❖	❖	❖	❖	❖	❖	❖	❖	❖	❖
Kaffé Suede	C27	●	●	●	●	●	●	●	●	●	●	●	●	●	●	●	●

Door Styles



# Fox Hill Finishes continued

- ❖ Available as Standard
- Premium Upcharge

		AC0C4	AB8C4	AB9C4	AB7C4	AC0H4	AB8H4	AB9H4	AB7H4	AC0M4	AB8M4	AB9M4	AB7M4	AC0O4	AB8O4	AB9O4	AB7O4
		Fox Hill Cherry Roman - Full	Fox Hill Cherry Roman - Half	Fox Hill Cherry Square - Full	Fox Hill Cherry Square - Half	Fox Hill Hickory Roman - Full	Fox Hill Hickory Roman - Half	Fox Hill Hickory Square - Full	Fox Hill Hickory Square - Half	Fox Hill Maple Roman - Full	Fox Hill Maple Roman - Half	Fox Hill Maple Square - Full	Fox Hill Maple Square - Half	Fox Hill Oak Roman - Full	Fox Hill Oak Roman - Half	Fox Hill Oak Square - Full	Fox Hill Oak Square - Half
Lagoon	E63									●	●	●	●				
Lagoon Suede	E64									●	●	●	●				
Linen	D90									●	●	●	●				
Linen Suede	D93									●	●	●	●				
Linen W/Cinder Highlight	E99									●	●	●	●				
Linen W/Cinder Highlight Suede	F00									●	●	●	●				
Linen W/Cocoa Highlight	F01									●	●	●	●				
Linen W/Cocoa Highlight Suede	F02									●	●	●	●				
Midnight	B69									●	●	●	●				
Midnight Suede	D42									●	●	●	●				
Midnight W/Onyx Highlight	F03									●	●	●	●				
Midnight W/Onyx Highlight Suede	F04									●	●	●	●				
Molasses	E58	❖	❖	❖	❖	❖	❖	❖	❖	❖	❖	❖	❖	❖	❖	❖	❖
Molasses Suede	E59	●	●	●	●	●	●	●	●	●	●	●	●	●	●	●	●
Moonshine	D98									●	●	●	●				
Moonshine Suede	E02									●	●	●	●				
Moonshine W/Cinder Highlight	F05									●	●	●	●				
Moonshine W/Cinder Highlight Suede	F06									●	●	●	●				
Moonshine W/Cocoa Highlight	F07									●	●	●	●				
Moonshine W/Cocoa Highlight Suede	F08									●	●	●	●				
Natural	NA	❖	❖	❖	❖	❖	❖	❖	❖	❖	❖	❖	❖	❖	❖	❖	❖
Natural Suede	D89	●	●	●	●	●	●	●	●	●	●	●	●	●	●	●	●
Onyx	A21									●	●	●	●	●	●	●	●
Onyx Suede	D44									●	●	●	●	●	●	●	●
Pebble Grey	B83									●	●	●	●				
Pebble Grey Suede	D45									●	●	●	●				
Pebble Grey W/Cocoa Highlight	F09									●	●	●	●				
Pebble Grey W/Cocoa Highlight Suede	F10									●	●	●	●				
Peppercorn	PC	❖	❖	❖	❖					❖	❖	❖	❖	❖	❖	❖	❖
Peppercorn Suede	D53	●	●	●	●					●	●	●	●	●	●	●	●
Praline	PR	❖	❖	❖	❖	❖	❖	❖	❖	❖	❖	❖	❖	❖	❖	❖	❖
Praline Suede	C78	●	●	●	●	●	●	●	●	●	●	●	●	●	●	●	●
Praline W/Onyx Glaze	F93					●	●	●	●	●	●	●	●				
Praline W/Onyx Glaze Suede	F94					●	●	●	●	●	●	●	●				
Rainfall	E82									●	●	●	●				
Rainfall Suede	E83									●	●	●	●				
Riverbed	F66									●	●	●	●				
Riverbed Suede	F67									●	●	●	●				
Rocky Mountain Sky	E61									●	●	●	●				
Rocky Mountain Sky Suede	E62									●	●	●	●				
Saddle	B81	❖	❖	❖	❖	❖	❖	❖	❖	❖	❖	❖	❖	❖	❖	❖	❖
Saddle Suede	C12	●	●	●	●	●	●	●	●	●	●	●	●	●	●	●	●
Slate	B64	❖	❖	❖	❖	❖	❖	❖	❖	❖	❖	❖	❖	❖	❖	❖	❖
Slate Suede	C72	●	●	●	●	●	●	●	●	●	●	●	●	●	●	●	●
Sunset	SU	❖	❖	❖	❖	❖	❖	❖	❖								
Sunset Suede	D49	●	●	●	●	●	●	●	●								
Surfside	E65									●	●	●	●				
Surfside Suede	E66									●	●	●	●				
Translucent Driftwood	F72					●	●	●	●	●	●	●	●	●	●	●	●
Translucent Limestone	E52					●	●	●	●	●	●	●	●	●	●	●	●
Translucent Phantom	F70					●	●	●	●	●	●	●	●	●	●	●	●
Unfinished	UF	❖	❖	❖	❖	❖	❖	❖	❖	❖	❖	❖	❖	❖	❖	❖	❖
Warm White	F63									●	●	●	●				
Warm White Suede	F64									●	●	●	●				

# Geneva



Scan to view all Geneva doors

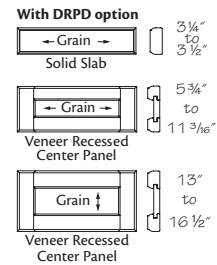
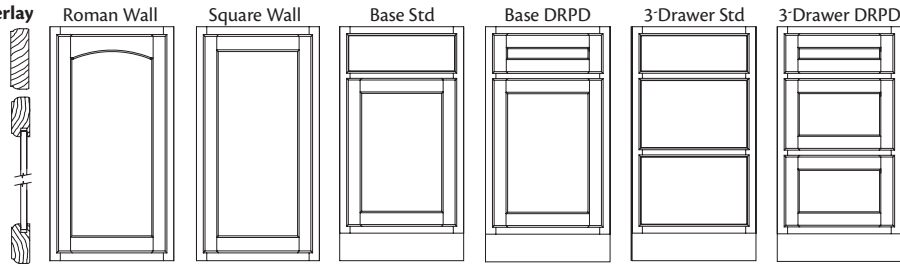
## 1/2" Overlay

<b>2GCR4</b>	Cherry Roman
<b>2GCS4</b>	Cherry Square
<b>AC3D4</b>	EverCore® Roman
<b>AC2D4</b>	EverCore® Square
<b>AC3H4</b>	Hickory Roman
<b>AC2H4</b>	Hickory Square
<b>AC3M4</b>	Maple Roman
<b>AC2M4</b>	Maple Square
<b>AC3O4</b>	Oak Roman
<b>AC2O4</b>	Oak Square
<b>AC2A4</b>	Rustic Alder Square

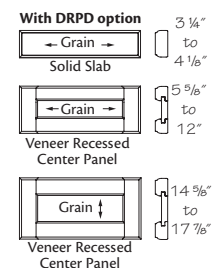
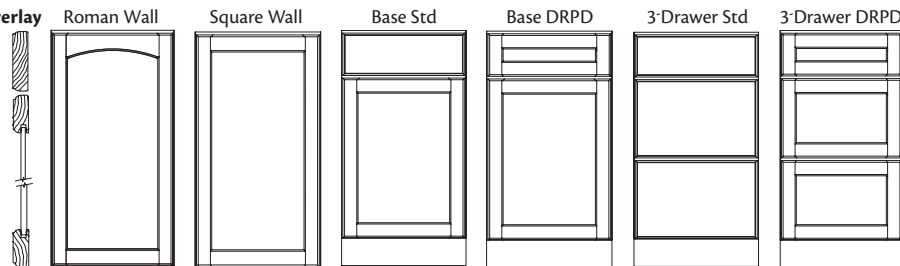
## Full Overlay

<b>AD0C4</b>	Cherry Roman
<b>AC9C4</b>	Cherry Square
<b>AD0D4</b>	EverCore® Roman
<b>AC9D4</b>	EverCore® Square
<b>AD0H4</b>	Hickory Roman
<b>AC9H4</b>	Hickory Square
<b>AD0M4</b>	Maple Roman
<b>AC9M4</b>	Maple Square
<b>AD0O4</b>	Oak Roman
<b>AC9O4</b>	Oak Square
<b>AC9A4</b>	Rustic Alder Square

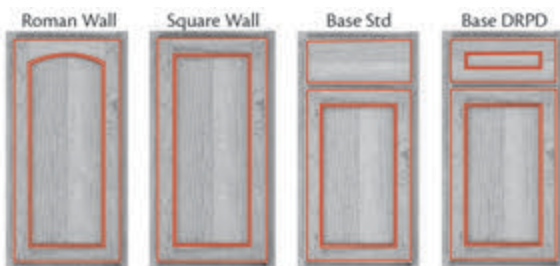
## 1/2" Overlay



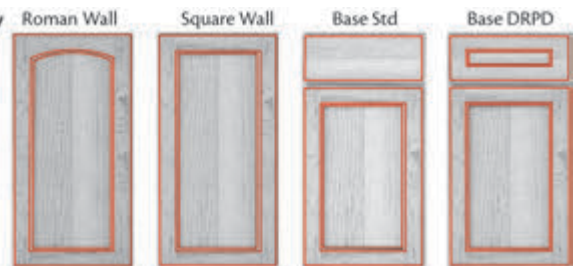
## Full Overlay



## 1/2" Overlay Glaze and Highlight Guide



## Full Overlay Glaze and Highlight Guide



- Solid wood door frame with 2 3/16" stiles and rails, except EverCore®, which will be mechanically compressed wood fiber
- Square design has veneer recessed panel on wall and base doors, except EverCore®, which will be mechanically compressed wood fiber
- Roman design has arched veneer recessed panels on wall doors only, except EverCore®, which will be mechanically compressed wood fiber; base doors will be square
- Slab drawer front
- Deluxe Recessed Panel Drawer (DRPD) front available
- Concealed hinge
- Hardware is required for full overlay
- Rustic Alder is available in square only
- Finger Pull Routing is available on 1/2" overlay, unavailable in EverCore®
- Knife Hinge is available on Cherry Roman or Square in 1/2" overlay
- **Note:** Rustic door styles feature knotty or character wood. It contains character marks such as heartwood, worm holes and mineral streaks of varying size. Components of these doors are chosen at random, with the appearance of each individual door varying widely from very rustic to relatively clear and unmarked

# Geneva continued

## Decorative Doors & Inserts Available

### Aluminum Frame Glass

- Fresco Brushed Aluminum ■
- Vetro Brushed Aluminum ■

### Camed Glass

- Chateau
- Classic Camed Insert ■
- Palisades
- Penrose
- Victorian
- Yorkshire

### Classic Glass

- Bistro
- Prepared for Glass
- Prism ●
- Shadow

### Etched Glass

- Crossroads
- Lisbon
- Modern Frosted Insert ■ ●
- Prairie
- Satina

### Layered Glass

- Antiquity
- Mirage
- Silk
- Wintersday

### Mullion Doors

- Castlegate ★ ■ ☆
- Evansville ★ ■ ☆
- Hewitt ★ ■ ☆
- Palladia ▲ ■ ☆
- Raleigh ▲ ■
- Showcase Mullion ★ ☆
- Traditional Mullion ★ ☆

### Specialty Inserts

- Chalkboard Insert
- Leather Insert

### Textured Glass

- Cascade
- Dolace
- Modern Textured Insert ■
- Moire
- Ravenna
- Styx
- Vauxhall

▲ Only available in Cherry & Maple door styles

★ **Not** available in Rustic door styles

■ Only available in full overlay door styles

● **Not** available in Roman door styles

☆ **Not** available in Evercore® door styles





# Grange

Full Overlay

**AB1C4**

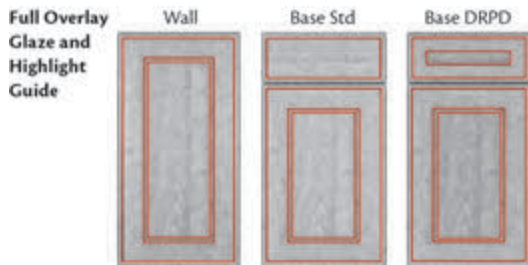
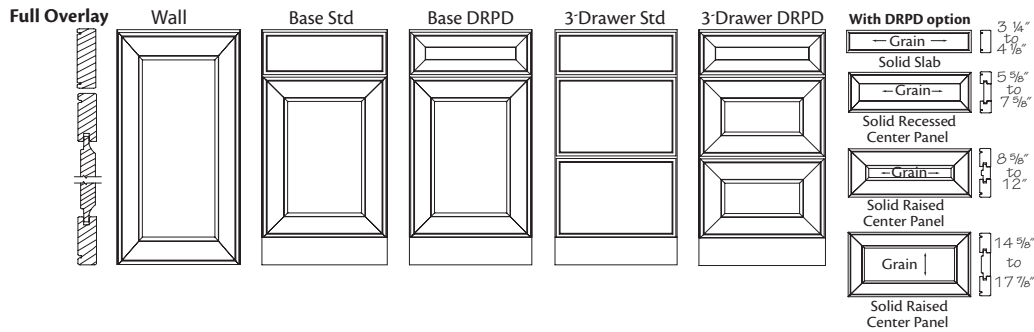
Cherry

**AB1M4**

Maple



Scan to view all Grange doors



- Solid wood mitered door frame with 3" stiles and rails
- Square solid raised panel on wall and base doors
- Slab drawer front
- Deluxe Raised Panel Drawer (DRPD) front available
- Concealed hinge
- Hardware is required

## Decorative Doors & Inserts Available

### Aluminum Frame Glass

- Fresco Brushed Aluminum
- Vetro Brushed Aluminum

### Camed Glass

- Chateau
- Classic Camed Insert
- Palisades
- Penrose
- Victorian
- Yorkshire

### Classic Glass

- Bistro
- Prepared for Glass
- Prism
- Shadow

### Etched Glass

- Crossroads
- Lisbon
- Modern Frosted Insert
- Prairie
- Satina

### Layered Glass

- Antiquity
- Mirage
- Silk
- Wintersday

### Mullion Doors

- Ambry
- Castlegate
- Evansville
- Hewitt
- Showcase Mullion
- Traditional Mullion

### Specialty Inserts

- Chalkboard Insert
- Leather Insert

### Textured Glass

- Cascade
- Dolace
- Modern Textured Insert
- Moire
- Ravenna
- Styx
- Vauxhall

# Grange Finishes

❖ *Available as Standard*  
● *Premium Upcharge*

		Grange Cherry Square	Grange Maple Square
		AB1C4	AB1M4
Autumn Blush	AB	❖	
Autumn Blush Suede	C21	●	
Autumn Blush W/Onyx Glaze	F81	●	
Autumn Blush W/Onyx Glaze Suede	F82	●	
Baltic	D78	❖	
Baltic Suede	D80	●	
Barley	E84	❖	❖
Barley Suede	E85	●	●
Bonsai	E69		●
Bonsai Suede	E70		●
Burmese	E67		●
Burmese Suede	E68		●
Cabernet	CT	❖	❖
Cabernet Suede	C80	●	●
Cabernet W/Onyx Glaze	F83	●	
Cabernet W/Onyx Glaze Suede	F84	●	
Camel	F68		●
Camel Suede	F69		●
Cannon Grey	D81	❖	❖
Cannon Grey Suede	D83	●	●
Canvas	CV		●
Canvas Suede	D37		●
Canvas W/Cinder Highlight	E87		●
Canvas W/Cinder Highlight Suede	E88		●
Canvas W/Cocoa Highlight Suede	E90		●
Canvas W/Cocoa Highlight	E89		●
Chestnut	CN	❖	
Chestnut Suede	C23	●	
Chestnut W/Onyx Glaze	F85	●	
Chestnut W/Onyx Glaze Suede	F86	●	
Chocolate	CC	❖	❖
Chocolate Suede	D87	●	●
Chocolate W/Ebony Glaze	F87	●	
Chocolate W/Ebony Glaze Suede	F88	●	
Cinnamon	CA	❖	❖
Cinnamon Suede	C74	●	●
Cinnamon W/Onyx Glaze	F89	●	●
Cinnamon W/Onyx Glaze Suede	F90	●	●
Cognac	CO	❖	❖
Cognac Suede	D85	●	●
Cottage	E80		●
Cottage Suede	E81		●
Distressed Autumn Blush	C22	●	
Distressed Baltic	D79		●
Distressed Barley	E86	●	●
Distressed Cabernet	C87	●	●
Distressed Cannon Grey	D82	●	●
Distressed Chestnut	C24	●	
Distressed Chocolate	D86	●	●
Distressed Cinnamon	C75	●	●
Distressed Cognac	D84	●	●
Distressed Ginger	C20	●	●
Distressed Husk	C15	●	●
Distressed Kaffé	C28	●	●
Distressed Molasses	E60	●	●
Distressed Peppercorn	C86	●	●
Distressed Praline	C79	●	●
Distressed Saddle	C14	●	●
Distressed Slate	C73	●	●
Distressed Sunset	D50	●	
Distressed Translucent Driftwood	F73	●	
Distressed Translucent Limestone	E53	●	
Distressed Translucent Phantom	F71	●	
Dove White	DW		●
Dove White Suede	D40		●

		Grange Cherry Square	Grange Maple Square
		AB1C4	AB1M4
Dove White W/Cinder Highlight	E93		●
Dove White W/Cinder Highlight Suede	E94		●
Dove White W/Cocoa Highlight	E95		●
Dove White W/Cocoa Highlight Suede	E96		●
Ginger	C88	❖	❖
Ginger Suede	C19	●	●
Ginger W/Sable Glaze	F91	●	●
Ginger W/Sable Glaze Suede	F92	●	●
Greyloft	B65		●
Greyloft Suede	D41		●
Greyloft W/Sable Highlight	E97		●
Greyloft W/Sable Highlight Suede	E98		●
Honey Spice	HS	❖	❖
Honey Spice Suede	D88		●
Husk	B82	❖	
Husk Suede	C13	●	
Kaffé	KA	❖	❖
Kaffé Suede	C27	●	●
Lagoon	E63		●
Lagoon Suede	E64		●
Linen	D90		●
Linen Suede	D93		●
Linen W/Cinder Highlight	E99		●
Linen W/Cinder Highlight Suede	F00		●
Linen W/Cocoa Highlight	F01		●
Linen W/Cocoa Highlight Suede	F02		●
Midnight	B69		●
Midnight Suede	D42		●
Midnight W/Onyx Highlight	F03		●
Midnight W/Onyx Highlight Suede	F04		●
Molasses	E58	❖	❖
Molasses Suede	E59	●	●
Moonshine	D98		●
Moonshine Suede	E02		●
Moonshine W/Cinder Highlight	F05		●
Moonshine W/Cinder Highlight Suede	F06		●
Moonshine W/Cocoa Highlight	F07		●
Moonshine W/Cocoa Highlight Suede	F08		●
Natural	NA	❖	❖
Natural Suede	D89	●	●
Onyx	A21		●
Onyx Suede	D44		●
Pebble Grey	B83		●
Pebble Grey Suede	D45		●
Pebble Grey W/Cocoa Highlight	F09		●
Pebble Grey W/Cocoa Highlight Suede	F10		●
Peppercorn	PC	❖	❖
Peppercorn Suede	D53	●	●
Praline	PR	❖	❖
Praline Suede	C78	●	●
Praline W/Onyx Glaze	F93		●
Praline W/Onyx Glaze Suede	F94		●
Rainfall	E82		●
Rainfall Suede	E83		●
Riverbed	F66		●
Riverbed Suede	F67		●
Rocky Mountain Sky	E61		●
Rocky Mountain Sky Suede	E62		●
Saddle	B81	❖	❖
Saddle Suede	C12	●	●
Slate	B64	❖	❖
Slate Suede	C72	●	●
Sunset	SU	❖	
Sunset Suede	D49		●
Surfside	E65		●

		Grange Cherry Square	Grange Maple Square
		AB1C4	AB1M4
Surfside Suede	E66		●
Translucent Driftwood	F72		●
Translucent Limestone	E52		●
Translucent Phantom	F70		●
Unfinished	UF	❖	❖
Vintage Canvas	VC	●	
Vintage Canvas Suede	E42	●	
Vintage Cottage	F74	●	
Vintage Cottage Suede	F75	●	
Vintage Dove White	VD	●	
Vintage Dove White Suede	E44	●	
Vintage Greyloft	B67	●	
Vintage Greyloft Suede	E45	●	
Vintage Linen	D91	●	
Vintage Linen Suede	E46	●	
Vintage Midnight	B71	●	
Vintage Midnight Suede	E47	●	
Vintage Moonshine	D99	●	
Vintage Moonshine Suede	E48	●	
Vintage Onyx	VO	●	
Vintage Onyx Suede	E50	●	
Vintage Pebble Grey	B86	●	
Vintage Pebble Grey Suede	E51	●	
Vintage Warm White	F76	●	
Vintage Warm White Suede	F77	●	
Warm White	F63		●
Warm White Suede	F64		●

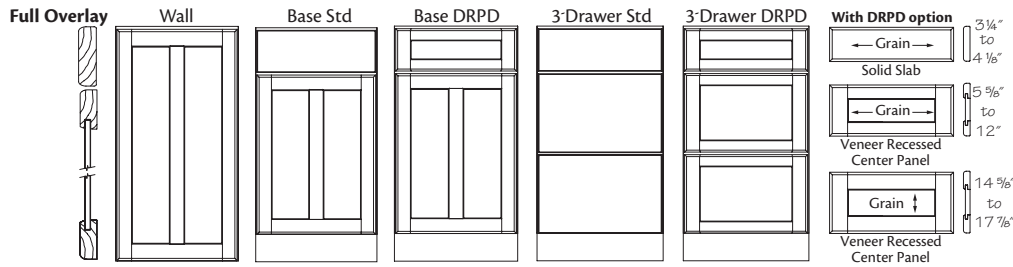
# Hamilton

Full Overlay

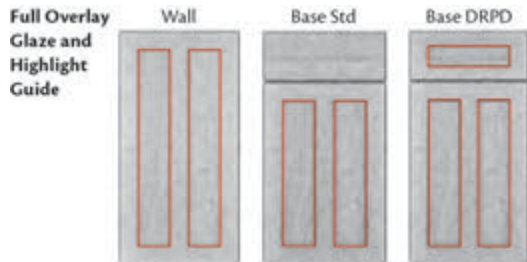
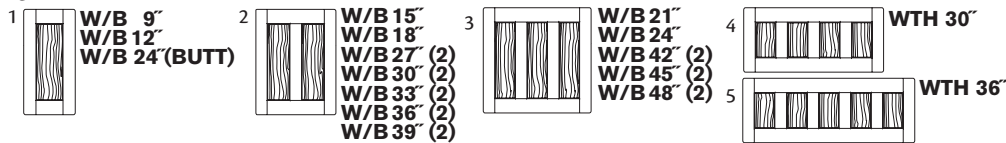
- AC5H4** Hickory
- W14** Maple
- AC5O4** Oak



Scan to view all Hamilton doors



## Door Configuration Chart



- Solid wood door frame with 2 1/4" stiles and rails
- Single or multiple side by side veneer recessed panels on wall and base doors
- Slab drawer front
- Deluxe Recessed Panel Drawer (DRPD) front available
- Concealed hinge
- Glass door options have no center divider
- Hardware is required
- See Door Configuration Chart for panel arrangement

## Decorative Doors & Inserts Available

### Aluminum Frame Glass

- Fresco Brushed Aluminum
- Vetro Brushed Aluminum

### Camed Glass

- Chateau
- Classic Camed Insert
- Palisades
- Penrose
- Victorian
- Yorkshire

### Classic Glass

- Bistro
- Prepared for Glass
- Prism
- Shadow

### Etched Glass

- Crossroads
- Lisbon
- Modern Frosted Insert
- Prairie
- Satina

### Layered Glass

- Antiquity
- Mirage
- Silk
- Wintersday

### Mullion Doors

- Ambry
- Castlegate
- Evansville
- Hewitt
- Palladia ▲
- Raleigh ▲
- Showcase Mullion
- Traditional Mullion

### Specialty Inserts

- Chalkboard Insert
- Leather Insert

### Textured Glass

- Cascade
- Dolace
- Modern Textured Insert
- Moire
- Ravenna
- Styx
- Vauxhall

▲ Only available in Maple door styles



# Hamilton Finishes

◆ Available as Standard  
● Premium Upcharge

		Hamilton Hickory	Hamilton Maple	Hamilton Oak
		AC5H4	W14	AC5O4
Autumn Blush	AB			◆
Autumn Blush Suede	C21			●
Autumn Blush W/Onyx Glaze	F81			●
Autumn Blush W/Onyx Glaze Suede	F82			●
Baltic	D78			◆
Baltic Suede	D80			●
Barley	E84	◆	◆	◆
Barley Suede	E85	●	●	●
Bonsai	E69			●
Bonsai Suede	E70			●
Burmese	E67			●
Burmese Suede	E68			●
Cabernet	CT		◆	
Cabernet Suede	C80			●
Camel	F68			●
Camel Suede	F69			●
Cannon Grey	D81		◆	◆
Cannon Grey Suede	D83			●
Canvas	CV			●
Canvas Suede	D37			●
Canvas W/Cinder Highlight	E87			●
Canvas W/Cinder Highlight Suede	E88			●
Canvas W/Cocoa Highlight Suede	E90			●
Canvas W/Cocoa Highlight	E89			●
Chestnut	CN		◆	
Chestnut Suede	C23			●
Chestnut W/Onyx Glaze	F85			●
Chestnut W/Onyx Glaze Suede	F86			●
Chocolate	CC		◆	
Chocolate Suede	D87			●
Cinnamon	CA		◆	
Cinnamon Suede	C74			●
Cinnamon W/Onyx Glaze	F89			●
Cinnamon W/Onyx Glaze Suede	F90			●
Cognac	CO	◆	◆	◆
Cognac Suede	D85	●	●	●
Cottage	E80			●
Cottage Suede	E81			●
Dove White	DW			●
Dove White Suede	D40			●
Dove White W/Cinder Highlight	E93			●
Dove White W/Cinder Highlight Suede	E94			●
Dove White W/Cocoa Highlight	E95			●
Dove White W/Cocoa Highlight Suede	E96			●
Fawn	FN			◆
Fawn Suede	D51			●
Ginger	C88	◆	◆	◆
Ginger Suede	C19	●	●	●
Ginger W/Sable Glaze	F91	●	●	●
Ginger W/Sable Glaze Suede	F92	●	●	●
Greyloft	B65			●
Greyloft Suede	D41			●
Greyloft W/Sable Highlight	E97			●
Greyloft W/Sable Highlight Suede	E98			●
Honey Spice	HS	◆	◆	◆
Honey Spice Suede	D88	●	●	●
Husk	B82	◆		◆
Husk Suede	C13	●		●
Kaffé	KA	◆	◆	◆
Kaffé Suede	C27	●	●	●
Lagoon	E63			●
Lagoon Suede	E64			●
Linen	D90			●
Linen Suede	D93			●
Linen W/Cinder Highlight	E99			●

		Hamilton Hickory	Hamilton Maple	Hamilton Oak
		AC5H4	W14	AC5O4
Linen W/Cinder Highlight Suede	F00		●	
Linen W/Cocoa Highlight	F01		●	
Linen W/Cocoa Highlight Suede	F02		●	
Midnight	B69		●	
Midnight Suede	D42		●	
Midnight W/Onyx Highlight	F03		●	
Midnight W/Onyx Highlight Suede	F04		●	
Molasses	E58	◆	◆	◆
Molasses Suede	E59	●	●	●
Moonshine	D98		●	
Moonshine Suede	E02		●	
Moonshine W/Cinder Highlight	F05		●	
Moonshine W/Cinder Highlight Suede	F06		●	
Moonshine W/Cocoa Highlight	F07		●	
Moonshine W/Cocoa Highlight Suede	F08		●	
Natural	NA	◆	◆	◆
Natural Suede	D89	●	●	●
Onyx	A21		●	
Onyx Suede	D44		●	●
Pebble Grey	B83		●	
Pebble Grey Suede	D45		●	
Pebble Grey W/Cocoa Highlight	F09		●	
Pebble Grey W/Cocoa Highlight Suede	F10		●	
Peppercorn	PC		◆	◆
Peppercorn Suede	D53		●	●
Praline	PR	◆	◆	◆
Praline Suede	C78	●	●	●
Praline W/Onyx Glaze	F93	●	●	
Praline W/Onyx Glaze Suede	F94	●	●	
Rainfall	E82		●	
Rainfall Suede	E83		●	
Riverbed	F66		●	
Riverbed Suede	F67		●	
Rocky Mountain Sky	E61		●	
Rocky Mountain Sky Suede	E62		●	
Saddle	B81	◆	◆	◆
Saddle Suede	C12	●	●	●
Slate	B64	◆	◆	◆
Slate Suede	C72	●	●	●
Sunset	SU	◆		
Sunset Suede	D49	●		
Surfside	E65		●	
Surfside Suede	E66		●	
Translucent Driftwood	F72	●	●	●
Translucent Limestone	E52	●	●	●
Translucent Phantom	F70	●	●	●
Unfinished	UF	◆	◆	◆
Warm White	F63		●	
Warm White Suede	F64		●	

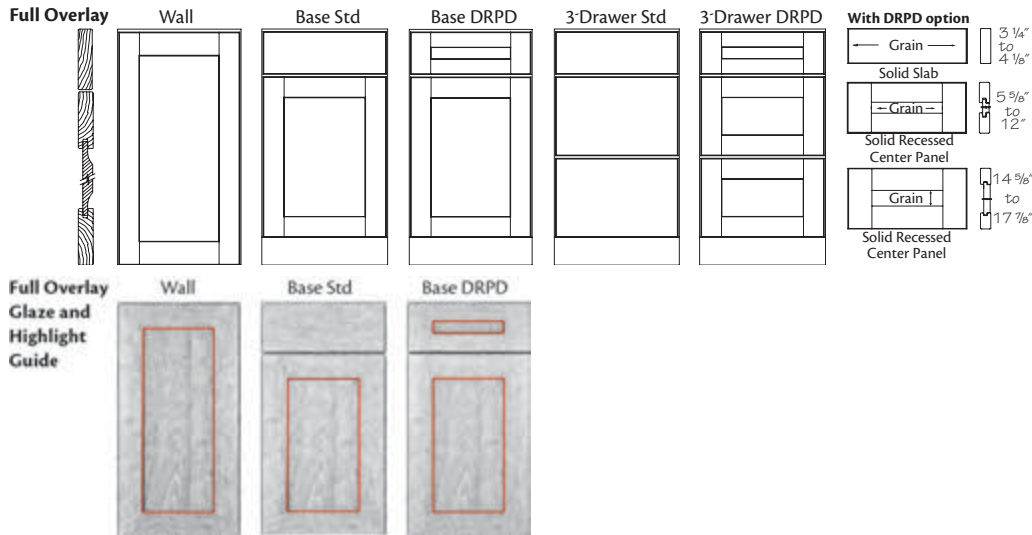
# Hayward

Full Overlay

- DRHC4** Cherry
- DRHD4** EverCore®
- DRHM4** Maple
- AB2O4** Quartersawn Oak
- DRHA4** Rustic Alder



Scan to view all Hayward doors



- Solid wood door frame with 3" stiles and rails, except EverCore®, which will be mechanically compressed wood fiber
- Square solid recessed panel on wall and base doors, except EverCore®, which will be mechanically compressed wood fiber
- Slab drawer front
- Deluxe Recessed Panel Drawer (DRPD) front available
- Concealed hinge
- Hardware is required
- **Note:** Rustic door styles feature knotty or character wood. It contains character marks such as heartwood, worm holes and mineral streaks of varying size. Components of these doors are chosen at random, with the appearance of each individual door varying widely from very rustic to relatively clear and unmarked

## Decorative Doors & Inserts Available

### Aluminum Frame Glass

- Fresco Brushed Aluminum
- Vetro Brushed Aluminum

### Camed Glass

- Chateau
- Classic Camed Insert
- Palisades
- Penrose
- Victorian
- Yorkshire

### Classic Glass

- Bistro
- Prepared for Glass
- Prism
- Shadow

### Etched Glass

- Crossroads
- Lisbon
- Modern Frosted Insert
- Prairie
- Satina

### Layered Glass

- Antiquity
- Mirage
- Silk
- Wintersday

### Mullion Doors

- Ambry ★
- Castlegate ★
- Evansville ★
- Hewitt ★
- Showcase Mullion ★
- Traditional Mullion★

### Specialty Inserts

- Chalkboard Insert
- Leather Insert

### Textured Glass

- Cascade
- Dolace
- Modern Textured Insert
- Moire
- Ravenna
- Styx
- Vauxhall

★ Not available in Rustic or Evercore® door styles

# Hayward Finishes

- ❖ Available as Standard
- Premium Upcharge

		DRHC4	DRHD4	DRHM4	AB2O4	DRHA4
		Hayward Cherry	Hayward EverCore®	Hayward Maple	Hayward Oak Square	Hayward Rustic Alder
Autumn Blush	AB	❖			❖	❖
Autumn Blush Suede	C21	●			●	●
Autumn Blush W/Onyx Glaze	F81	●			●	●
Autumn Blush W/Onyx Glaze Suede	F82	●			●	●
Baltic	D78	❖			❖	❖
Baltic Suede	D80	●			●	●
Barley	E84	❖		❖	❖	❖
Barley Suede	E85	●		●	●	●
Bonsai	E69		●	●		
Bonsai Suede	E70		●	●		
Burmese	E67		●	●		
Burmese Suede	E68		●	●		
Cabernet	CT	❖		❖		❖
Cabernet Suede	C80	●			●	●
Cabernet W/Onyx Glaze	F83	●				●
Cabernet W/Onyx Glaze Suede	F84	●				●
Camel	F68		●	●		
Camel Suede	F69		●	●		
Cannon Grey	D81	❖		❖	❖	❖
Cannon Grey Suede	D83	●		●	●	●
Canvas	CV		●	●		
Canvas Suede	D37		●	●		
Canvas W/Cinder Highlight	E87			●		
Canvas W/Cinder Highlight Suede	E88			●		
Canvas W/Cocoa Highlight	E90			●		
Canvas W/Cocoa Highlight Suede	E89			●		
Chestnut	CN			❖		
Chestnut Suede	C23			●		
Chestnut W/Onyx Glaze	F85			●		
Chestnut W/Onyx Glaze Suede	F86			●		
Chocolate	CC	❖		❖		❖
Chocolate Suede	D87	●		●		●
Chocolate W/Ebony Glaze	F87	●				●
Chocolate W/Ebony Glaze Suede	F88	●				●
Cinnamon	CA	❖		❖		❖
Cinnamon Suede	C74	●		●		●
Cinnamon W/Onyx Glaze	F89			●		●
Cinnamon W/Onyx Glaze Suede	F90			●		●
Cognac	CO	❖		❖	❖	❖
Cognac Suede	D85	●		●	●	●
Cottage	E80		●	●		
Cottage Suede	E81		●	●		
Distressed Autumn Blush	C22	●			●	●
Distressed Baltic	D79	●			●	●
Distressed Barley	E86	●		●		●
Distressed Cabernet	C87	●		●		●
Distressed Cannon Grey	D82	●		●	●	●
Distressed Chestnut	C24			●		
Distressed Chocolate	D86	●		●		●
Distressed Cinnamon	C75	●		●		●
Distressed Cognac	D84	●		●	●	●
Distressed Fawn	D52			●		
Distressed Ginger	C20	●		●	●	●
Distressed Husk	C15	●		●	●	●
Distressed Kaffé	C28	●		●	●	●
Distressed Molasses	E60	●		●	●	●
Distressed Peppercorn	C86	●		●	●	●
Distressed Praline	C79	●		●	●	●
Distressed Saddle	C14	●		●	●	●
Distressed Slate	C73	●		●	●	●
Distressed Sunset	D50	●				●
Distressed Translucent Driftwood	F73			●	●	
Distressed Translucent Limestone	E53			●	●	
Distressed Translucent Phantom	F71			●	●	
Dove White	DW		●	●		
Dove White Suede	D40		●	●		

		DRHC4	DRHD4	DRHM4	AB2O4	DRHA4
		Hayward Cherry	Hayward EverCore®	Hayward Maple	Hayward Oak Square	Hayward Rustic Alder
Dove White W/Cinder Highlight	E93				●	
Dove White W/Cinder Highlight Suede	E94				●	
Dove White W/Cocoa Highlight	E95				●	
Dove White W/Cocoa Highlight Suede	E96				●	
Fawn	FN					❖
Fawn Suede	D51					●
Ginger	C88	❖		❖	❖	❖
Ginger Suede	C19	●		●	●	●
Ginger W/Sable Glaze	F91	●		●	●	●
Ginger W/Sable Glaze Suede	F92	●		●	●	●
Greyloft	B65		●	●		
Greyloft Suede	D41		●	●		
Greyloft W/Sable Highlight	E97			●		
Greyloft W/Sable Highlight Suede	E98			●		
Honey Spice	HS	❖		❖	❖	❖
Honey Spice Suede	D88	●		●	●	●
Husk	B82	❖			❖	❖
Husk Suede	C13	●			●	●
Kaffé	KA	❖		❖	❖	❖
Kaffé Suede	C27	●		●	●	●
Lagoon	E63		●	●		
Lagoon Suede	E64		●	●		
Linen	D90		●	●		
Linen Suede	D93		●	●		
Linen W/Cinder Highlight	E99			●		
Linen W/Cinder Highlight Suede	F00			●		
Linen W/Cocoa Highlight	F01			●		
Linen W/Cocoa Highlight Suede	F02			●		
Midnight	B69		●	●		
Midnight Suede	D42		●	●		
Midnight W/Onyx Highlight	F03			●		
Midnight W/Onyx Highlight Suede	F04			●		
Molasses	E58	❖		❖	❖	❖
Molasses Suede	E59	●		●	●	●
Moonshine	D98		●	●		
Moonshine Suede	E02		●	●		
Moonshine W/Cinder Highlight	F05			●		
Moonshine W/Cinder Highlight Suede	F06			●		
Moonshine W/Cocoa Highlight	F07			●		
Moonshine W/Cocoa Highlight Suede	F08			●		
Natural	NA	❖		❖	❖	❖
Natural Suede	D89	●		●	●	●
Onyx	A21		●	●		
Onyx Suede	D44		●	●		
Pebble Grey	B83		●	●		
Pebble Grey Suede	D45		●	●		
Pebble Grey W/Cocoa Highlight	F09			●		
Pebble Grey W/Cocoa Highlight Suede	F10			●		
Peppercorn	PC	❖		❖	❖	❖
Peppercorn Suede	D53	●		●	●	●
Praline	PR	❖		❖	❖	❖
Praline Suede	C78	●		●	●	●
Praline W/Onyx Glaze	F93			●		
Praline W/Onyx Glaze Suede	F94			●		
Rainfall	E82		●	●		
Rainfall Suede	E83		●	●		
Riverbed	F66		●	●		
Riverbed Suede	F67		●	●		
Rocky Mountain Sky	E61		●	●		
Rocky Mountain Sky Suede	E62		●	●		
Saddle	B81	❖		❖	❖	❖
Saddle Suede	C12	●		●	●	●
Slate	B64	❖		❖	❖	❖
Slate Suede	C72	●		●	●	●
Sunset	SU	❖				❖
Sunset Suede	D49	●				●

# Hayward Finishes continued

- ❖ Available as Standard
- Premium Upcharge

		DRHC4	DRHD4	DRHM4	ABZO4	DRHA4
		Hayward Cherry	Hayward EverCore®	Hayward Maple	Hayward Oak Square	Hayward Rustic Alder
Surfside	E65		●	●		
Surfside Suede	E66		●	●		
Translucent Driftwood	F72			●	●	
Translucent Limestone	E52			●	●	
Translucent Phantom	F70			●	●	
Unfinished	UF	❖		❖	❖	❖
Vintage Canvas	VC	●				
Vintage Canvas Suede	E42	●				
Vintage Cottage	F74	●				
Vintage Cottage Suede	F75	●				
Vintage Dove White	VD	●				
Vintage Dove White Suede	E44	●				
Vintage Greyloft	B67	●				
Vintage Greyloft Suede	E45	●				
Vintage Linen	D91	●				
Vintage Linen Suede	E46	●				
Vintage Midnight	B71	●				
Vintage Midnight Suede	E47	●				
Vintage Moonshine	D99	●				
Vintage Moonshine Suede	E48	●				
Vintage Onyx	VO	●				
Vintage Onyx Suede	E50	●				
Vintage Pebble Grey	B86	●				
Vintage Pebble Grey Suede	E51	●				
Vintage Warm White	F76	●				
Vintage Warm White Suede	F77	●				
Warm White	F63		●	●		
Warm White Suede	F64		●	●		

**Notes**

# Hettle

Full Overlay

AL6C4

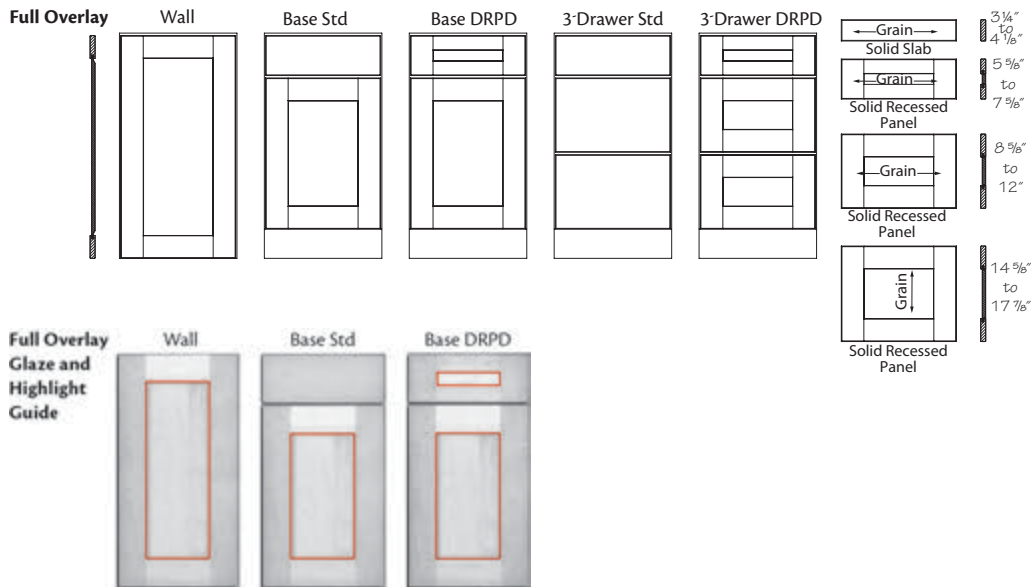
Cherry

AL6M4

Maple



Scan to view all Hettle doors



- Solid wood door frame with 3 1/2" stiles and rails
- Square solid recessed panel on wall and base doors
- Slab drawer front
- Deluxe Recessed Panel Drawer (DRPD) front available
- Concealed hinge
- Hardware is required
- 7 15/16" & 8 5/8" wide doors are built with 3" wide stiles and 3 1/2" high rails. 7 15/16" doors are used on EZR33, PEZR33\_, DEZR\_, VEZR2718\_, VEZR3021\_, WEZR21\_ and all Asymmetrical Easy Reach cabinets. 8 5/8" doors are used on 9" wide cabinets

## Decorative Doors & Inserts Available

### Aluminum Frame Glass

- Fresco Brushed Aluminum
- Vetro Brushed Aluminum

### Camed Glass

- Chateau
- Classic Camed Insert
- Palisades
- Penrose
- Victorian
- Yorkshire

### Classic Glass

- Bistro
- Prepared for Glass
- Prism
- Shadow

### Etched Glass

- Crossroads
- Lisbon
- Modern Frosted Insert
- Prairie
- Satina

### Layered Glass

- Antiquity
- Mirage
- Silk
- Wintersday

### Mullion Doors

- Ambry
- Castlegate
- Evansville
- Hewitt
- Showcase Mullion
- Traditional Mullion

### Specialty Inserts

- Chalkboard Insert
- Leather Insert

### Textured Glass

- Cascade
- Dolace
- Modern Textured Insert
- Moire
- Ravenna
- Styx
- Vauxhall

# Hettle Finishes

- ❖ Available as Standard
- Premium Upcharge

		AL6C4	AL6M4
		Hettle Cherry	Hettle Maple
Autumn Blush	AB	❖	
Autumn Blush Suede	C21	●	
Autumn Blush W/Onyx Glaze	F81	●	
Autumn Blush W/Onyx Glaze Suede	F82	●	
Baltic	D78	❖	
Baltic Suede	D80	●	
Barley	E84	❖	❖
Barley Suede	E85	●	●
Bonsai	E69	●	
Bonsai Suede	E70	●	
Burmese	E67	●	
Burmese Suede	E68	●	
Cabernet	CT	❖	❖
Cabernet Suede	C80	●	
Cabernet W/Onyx Glaze	F83	●	
Cabernet W/Onyx Glaze Suede	F84	●	
Camel	F68	●	
Camel Suede	F69	●	
Cannon Grey	D81	❖	❖
Cannon Grey Suede	D83	●	●
Canvas	CV	●	
Canvas Suede	D37	●	
Canvas W/Cinder Highlight	E87	●	
Canvas W/Cinder Highlight Suede	E88	●	
Canvas W/Cocoa Highlight	E90	●	
Canvas W/Cocoa Highlight Suede	E89	●	
Chestnut	CN	❖	
Chestnut Suede	C23	●	
Chestnut W/Onyx Glaze	F85	●	
Chestnut W/Onyx Glaze Suede	F86	●	
Chocolate	CC	❖	❖
Chocolate Suede	D87	●	●
Chocolate W/Ebony Glaze	F87	●	
Chocolate W/Ebony Glaze Suede	F88	●	
Cinnamon	CA	❖	❖
Cinnamon Suede	C74	●	●
Cinnamon W/Onyx Glaze	F89	●	●
Cinnamon W/Onyx Glaze Suede	F90	●	●
Cognac	CO	❖	❖
Cognac Suede	D85	●	●
Cottage	E80	●	
Cottage Suede	E81	●	
Distressed Autumn Blush	C22	●	
Distressed Baltic	D79	●	
Distressed Barley	E86	●	●
Distressed Cabernet	C87	●	●
Distressed Cannon Grey	D82	●	●
Distressed Chestnut	C24	●	
Distressed Chocolate	D86	●	●
Distressed Cinnamon	C75	●	●
Distressed Cognac	D84	●	●
Distressed Ginger	C20	●	●
Distressed Husk	C15	●	●
Distressed Kaffé	C28	●	●
Distressed Molasses	E60	●	●
Distressed Peppercorn	C86	●	●
Distressed Praline	C79	●	●
Distressed Saddle	C14	●	●
Distressed Slate	C73	●	●
Distressed Sunset	D50	●	
Distressed Translucent Driftwood	F73	●	
Distressed Translucent Limestone	E53	●	
Distressed Translucent Phantom	F71	●	
Dove White	DW	●	
Dove White Suede	D40	●	
Dove White W/Cinder Highlight	E93	●	

		AL6C4	AL6M4
		Hettle Cherry	Hettle Maple
Dove White W/Cinder Highlight Suede	E94	●	
Dove White W/Cocoa Highlight	E95	●	
Dove White W/Cocoa Highlight Suede	E96	●	
Ginger	C88	❖	❖
Ginger Suede	C19	●	●
Ginger W/Sable Glaze	F91	●	●
Ginger W/Sable Glaze Suede	F92	●	●
Greyloft	B65	●	
Greyloft Suede	D41	●	
Greyloft W/Sable Highlight	E97	●	
Greyloft W/Sable Highlight Suede	E98	●	
Honey Spice	HS	❖	❖
Honey Spice Suede	D88	●	●
Husk	B82	●	
Husk Suede	C13	●	
Kaffé	KA	❖	❖
Kaffé Suede	C27	●	●
Lagoon	E63	●	
Lagoon Suede	E64	●	
Linen	D90	●	
Linen Suede	D93	●	
Linen W/Cinder Highlight	E99	●	
Linen W/Cinder Highlight Suede	F00	●	
Linen W/Cocoa Highlight	F01	●	
Linen W/Cocoa Highlight Suede	F02	●	
Midnight	B69	●	
Midnight Suede	D42	●	
Midnight W/Onyx Highlight	F03	●	
Midnight W/Onyx Highlight Suede	F04	●	
Molasses	E58	❖	❖
Molasses Suede	E59	●	●
Moonshine	D98	●	
Moonshine Suede	E02	●	
Moonshine W/Cinder Highlight	F05	●	
Moonshine W/Cinder Highlight Suede	F06	●	
Moonshine W/Cocoa Highlight	F07	●	
Moonshine W/Cocoa Highlight Suede	F08	●	
Natural	NA	❖	❖
Natural Suede	D89	●	●
Onyx	A21	●	
Onyx Suede	D44	●	
Pebble Grey	B83	●	
Pebble Grey Suede	D45	●	
Pebble Grey W/Cocoa Highlight	F09	●	
Pebble Grey W/Cocoa Highlight Suede	F10	●	
Peppercorn	PC	❖	❖
Peppercorn Suede	D53	●	●
Praline	PR	❖	❖
Praline Suede	C78	●	●
Praline W/Onyx Glaze	F93	●	
Praline W/Onyx Glaze Suede	F94	●	
Rainfall	E82	●	
Rainfall Suede	E83	●	
Riverbed	F66	●	
Riverbed Suede	F67	●	
Rocky Mountain Sky	E61	●	
Rocky Mountain Sky Suede	E62	●	
Saddle	B81	❖	❖
Saddle Suede	C12	●	●
Slate	B64	❖	❖
Slate Suede	C72	●	●
Sunset	SU	❖	
Sunset Suede	D49	●	
Surfside	E65	●	
Surfside Suede	E66	●	
Translucent Driftwood	F72	●	

		AL6C4	AL6M4
		Hettle Cherry	Hettle Maple
Translucent Limestone	E52	●	
Translucent Phantom	F70	●	
Unfinished	UF	❖	❖
Vintage Canvas	VC	❖	
Vintage Canvas Suede	E42	●	
Vintage Cottage	F74	●	
Vintage Cottage Suede	F75	●	
Vintage Dove White	VD	●	
Vintage Dove White Suede	E44	●	
Vintage Greyloft	B67	●	
Vintage Greyloft Suede	E45	●	
Vintage Linen	D91	●	
Vintage Linen Suede	E46	●	
Vintage Midnight	B71	●	
Vintage Midnight Suede	E47	●	
Vintage Moonshine	D99	●	
Vintage Moonshine Suede	E48	●	
Vintage Onyx	VO	●	
Vintage Onyx Suede	E50	●	
Vintage Pebble Grey	B86	●	
Vintage Pebble Grey Suede	E51	●	
Vintage Warm White	F76	●	
Vintage Warm White Suede	F77	●	
Warm White	F63	●	
Warm White Suede	F64	●	

# Holace

Full Overlay

**AA6C4**

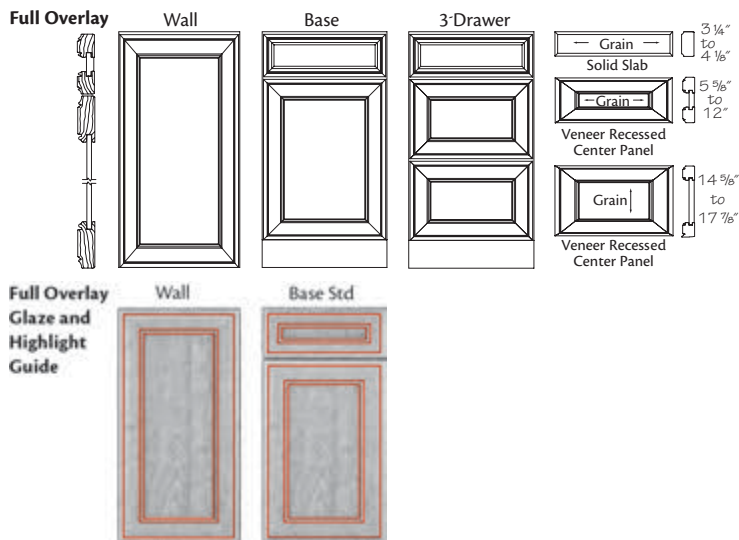
Cherry

**AA6M4**

Maple



Scan to view all Holace doors



- Solid wood mitered door frame with 3" stiles and rails
- Square veneer recessed panel on wall and base doors
- Drawer front varies depending on height
- Concealed hinge
- Hardware is required

## Decorative Doors & Inserts Available

### Aluminum Frame Glass

- Fresco Brushed Aluminum
- Vetro Brushed Aluminum

### Camed Glass

- Chateau
- Classic Camed Insert
- Palisades
- Penrose
- Victorian
- Yorkshire

### Classic Glass

- Bistro
- Prepared for Glass
- Prism
- Shadow

### Etched Glass

- Crossroads
- Lisbon
- Modern Frosted Insert
- Prairie
- Satina

### Layered Glass

- Antiquity
- Mirage
- Silk
- Wintersday

### Mullion Doors

- Castlegate
- Evansville
- Hewitt
- Showcase Mullion
- Traditional Mullion

### Specialty Inserts

- Chalkboard Insert
- Leather Insert

### Textured Glass

- Cascade
- Dolace
- Modern Textured Insert
- Moire
- Ravenna
- Styx
- Vauxhall



# Holace Finishes

- ❖ Available as Standard
- Premium Upcharge

		Holace Cherry Square	Holace Maple Square
		AA6C4	AA6M4
Autumn Blush	AB	❖	
Autumn Blush Suede	C21	●	
Autumn Blush W/Onyx Glaze	F81	●	
Autumn Blush W/Onyx Glaze Suede	F82	●	
Baltic	D78	❖	
Baltic Suede	D80	●	
Barley	E84	❖	❖
Barley Suede	E85	●	●
Bonsai	E69		●
Bonsai Suede	E70		●
Burmese	E67		●
Burmese Suede	E68		●
Cabernet	CT	❖	❖
Cabernet Suede	C80	●	●
Cabernet W/Onyx Glaze	F83	●	
Cabernet W/Onyx Glaze Suede	F84	●	
Camel	F68		●
Camel Suede	F69		●
Cannon Grey	D81	❖	❖
Cannon Grey Suede	D83	●	●
Canvas	CV		●
Canvas Suede	D37		●
Canvas W/Cinder Highlight	E87		●
Canvas W/Cinder Highlight Suede	E88		●
Canvas W/Cocoa Highlight	E90		●
Canvas W/Cocoa Highlight Suede	E89		●
Chestnut	CN		❖
Chestnut Suede	C23		●
Chestnut W/Onyx Glaze	F85		●
Chestnut W/Onyx Glaze Suede	F86		●
Chocolate	CC	❖	❖
Chocolate Suede	D87	●	●
Chocolate W/Ebony Glaze	F87	●	
Chocolate W/Ebony Glaze Suede	F88	●	
Cinnamon	CA	❖	❖
Cinnamon Suede	C74	●	●
Cinnamon W/Onyx Glaze	F89	●	●
Cinnamon W/Onyx Glaze Suede	F90	●	●
Cognac	CO	❖	❖
Cognac Suede	D85	●	●
Cottage	E80		●
Cottage Suede	E81		●
Dove White	DW		●
Dove White Suede	D40		●
Dove White W/Cinder Highlight	E93		●
Dove White W/Cinder Highlight Suede	E94		●
Dove White W/Cocoa Highlight	E95		●
Dove White W/Cocoa Highlight Suede	E96		●
Ginger	C88	❖	❖
Ginger Suede	C19	●	●
Ginger W/Sable Glaze	F91	●	●
Ginger W/Sable Glaze Suede	F92	●	●
Greyloft	B65		●
Greyloft Suede	D41		●
Greyloft W/Sable Highlight	E97		●
Greyloft W/Sable Highlight Suede	E98		●
Honey Spice	HS	❖	❖
Honey Spice Suede	D88	●	●
Kaffé	KA	❖	❖
Kaffé Suede	C27	●	●
Lagoon	E63		●
Lagoon Suede	E64		●
Linen	D90		●
Linen Suede	D93		●
Linen W/Cinder Highlight	E99		●
Linen W/Cinder Highlight Suede	F00		●

		Holace Cherry Square	Holace Maple Square
		AA6C4	AA6M4
Linen W/Cocoa Highlight	F01		●
Linen W/Cocoa Highlight Suede	F02		●
Midnight	B69		●
Midnight Suede	D42		●
Midnight W/Onyx Highlight	F03		●
Midnight W/Onyx Highlight Suede	F04		●
Molasses	E58	❖	❖
Molasses Suede	E59	●	●
Moonshine	D98		●
Moonshine Suede	E02		●
Moonshine W/Cinder Highlight	F05		●
Moonshine W/Cinder Highlight Suede	F06		●
Moonshine W/Cocoa Highlight	F07		●
Moonshine W/Cocoa Highlight Suede	F08		●
Natural	NA	❖	❖
Natural Suede	D89	●	●
Onyx	A21		●
Onyx Suede	D44		●
Pebble Grey	B83		●
Pebble Grey Suede	D45		●
Pebble Grey W/Cocoa Highlight	F09		●
Pebble Grey W/Cocoa Highlight Suede	F10		●
Peppercorn	PC	❖	❖
Peppercorn Suede	D53	●	●
Praline	PR	❖	❖
Praline Suede	C78	●	●
Praline W/Onyx Glaze	F93		●
Praline W/Onyx Glaze Suede	F94		●
Rainfall	E82		●
Rainfall Suede	E83		●
Riverbed	F66		●
Riverbed Suede	F67		●
Rocky Mountain Sky	E61		●
Rocky Mountain Sky Suede	E62		●
Saddle	B81	❖	❖
Saddle Suede	C12	●	●
Slate	B64	❖	❖
Slate Suede	C72	●	●
Surfside	E65		●
Surfside Suede	E66		●
Translucent Driftwood	F72		●
Translucent Limestone	E52		●
Translucent Phantom	F70		●
Unfinished	UF	❖	❖
Warm White	F63		●
Warm White Suede	F64		●
Translucent Phantom	F70		●
Unfinished	UF	❖	❖
Warm White	F63		●
Warm White Suede	F64		●

# Jackson

Full Overlay

AA5C4

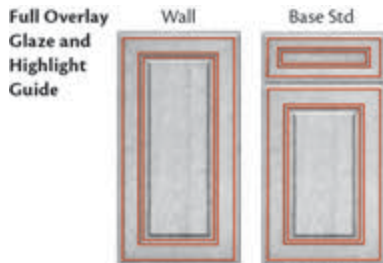
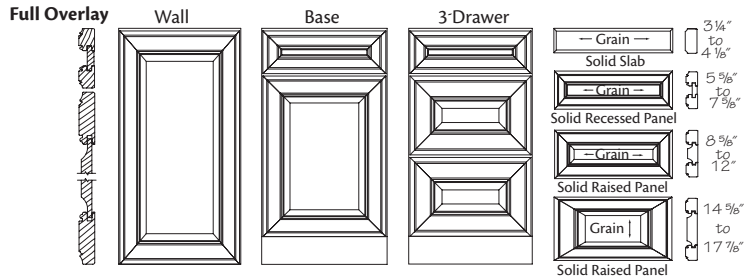
Cherry

AA5M4

Maple



Scan to view all Jackson doors



- Solid wood mitered door frame with 3" stiles and rails
- Square solid raised panel on wall and base doors
- Drawer front varies depending on height
- Concealed hinge
- Hardware is required

## Decorative Doors & Inserts Available

### Aluminum Frame Glass

- Fresco Brushed Aluminum
- Vetro Brushed Aluminum

### Camed Glass

- Chateau
- Classic Camed Insert
- Palisades
- Penrose
- Victorian
- Yorkshire

### Classic Glass

- Bistro
- Prepared for Glass
- Prism
- Shadow

### Etched Glass

- Crossroads
- Lisbon
- Modern Frosted Insert
- Prairie
- Satina

### Layered Glass

- Antiquity
- Mirage
- Silk
- Wintersday

### Mullion Doors

- Castlegate
- Evansville
- Hewitt
- Showcase Mullion
- Traditional Mullion

### Specialty Inserts

- Chalkboard Insert
- Leather Insert

### Textured Glass

- Cascade
- Dolace
- Modern Textured Insert
- Moire
- Ravenna
- Styx
- Vauxhall

# Jackson Finishes

◆ Available as Standard  
● Premium Upcharge

		Jackson Cherry	Jackson Maple Square
		AA5C4	AA5M4
Autumn Blush	AB	◆	
Autumn Blush Suede	C21	●	
Autumn Blush W/Onyx Glaze	F81	●	
Autumn Blush W/Onyx Glaze Suede	F82	●	
Baltic	D78	◆	
Baltic Suede	D80	●	
Barley	E84	◆	◆
Barley Suede	E85	●	●
Bonsai	E69		●
Bonsai Suede	E70		●
Burmese	E67		●
Burmese Suede	E68		●
Cabernet	CT	◆	◆
Cabernet Suede	C80	●	●
Cabernet W/Onyx Glaze	F83	●	
Cabernet W/Onyx Glaze Suede	F84	●	
Camel	F68		●
Camel Suede	F69		●
Cannon Grey	D81	◆	◆
Cannon Grey Suede	D83	●	●
Canvas	CV		●
Canvas Suede	D37		●
Canvas W/Cinder Highlight	E87		●
Canvas W/Cinder Highlight Suede	E88		●
Canvas W/Cocoa Highlight Suede	E90		●
Canvas W/Cocoa Highlight	E89		●
Chestnut	CN	◆	
Chestnut Suede	C23	●	
Chestnut W/Onyx Glaze	F85	●	
Chestnut W/Onyx Glaze Suede	F86	●	
Chocolate	CC	◆	◆
Chocolate Suede	D87	●	●
Chocolate W/Ebony Glaze	F87	●	
Chocolate W/Ebony Glaze Suede	F88	●	
Cinnamon	CA	◆	◆
Cinnamon Suede	C74	●	●
Cinnamon W/Onyx Glaze	F89	●	●
Cinnamon W/Onyx Glaze Suede	F90	●	●
Cognac	CO	◆	◆
Cognac Suede	D85	●	●
Cottage	E80		●
Cottage Suede	E81		●
Distressed Autumn Blush	C22	●	
Distressed Baltic	D79	●	
Distressed Barley	E86	●	●
Distressed Cabernet	C87	●	●
Distressed Cannon Grey	D82	●	●
Distressed Chestnut	C24	●	
Distressed Chocolate	D86	●	●
Distressed Cinnamon	C75	●	●
Distressed Cognac	D84	●	●
Distressed Ginger	C20	●	●
Distressed Husk	C15	●	●
Distressed Kaffé	C28	●	●
Distressed Molasses	E60	●	●
Distressed Peppercorn	C86	●	●
Distressed Praline	C79	●	●
Distressed Saddle	C14	●	●
Distressed Slate	C73	●	●
Distressed Sunset	D50	●	
Distressed Translucent Driftwood	F73		●
Distressed Translucent Limestone	E53		●
Distressed Translucent Phantom	F71		●
Dove White	DW		●
Dove White Suede	D40		●
Dove White W/Cinder Highlight	E93		●

		Jackson Cherry	Jackson Maple Square
		AA5C4	AA5M4
Dove White W/Cinder Highlight Suede	E94	●	
Dove White W/Cocoa Highlight	E95	●	
Dove White W/Cocoa Highlight Suede	E96	●	
Ginger	C88	◆	◆
Ginger Suede	C19	●	●
Ginger W/Sable Glaze	F91	●	●
Ginger W/Sable Glaze Suede	F92	●	●
Greyloft	B65		●
Greyloft Suede	D41		●
Greyloft W/Sable Highlight	E97		●
Greyloft W/Sable Highlight Suede	E98		●
Honey Spice	HS	◆	◆
Honey Spice Suede	D88	●	●
Husk	B82	◆	
Husk Suede	C13		●
Kaffé	KA	◆	◆
Kaffé Suede	C27	●	●
Lagoon	E63		●
Lagoon Suede	E64		●
Linen	D90		●
Linen Suede	D93		●
Linen W/Cinder Highlight	E99		●
Linen W/Cinder Highlight Suede	F00		●
Linen W/Cocoa Highlight	F01		●
Linen W/Cocoa Highlight Suede	F02		●
Midnight	B69		●
Midnight Suede	D42		●
Midnight W/Onyx Highlight	F03		●
Midnight W/Onyx Highlight Suede	F04		●
Molasses	E58	◆	◆
Molasses Suede	E59	●	●
Moonshine	D98		●
Moonshine Suede	E02		●
Moonshine W/Cinder Highlight	F05		●
Moonshine W/Cinder Highlight Suede	F06		●
Moonshine W/Cocoa Highlight	F07		●
Moonshine W/Cocoa Highlight Suede	F08		●
Natural	NA	◆	◆
Natural Suede	D89	●	●
Onyx	A21		●
Onyx Suede	D44		●
Pebble Grey	B83		●
Pebble Grey Suede	D45		●
Pebble Grey W/Cocoa Highlight	F09		●
Pebble Grey W/Cocoa Highlight Suede	F10		●
Peppercorn	PC	◆	◆
Peppercorn Suede	D53	●	●
Praline	PR	◆	◆
Praline Suede	C78	●	●
Praline W/Onyx Glaze	F93	●	●
Praline W/Onyx Glaze Suede	F94	●	●
Rainfall	E82		●
Rainfall Suede	E83		●
Riverbed	F66		●
Riverbed Suede	F67		●
Rocky Mountain Sky	E61		●
Rocky Mountain Sky Suede	E62		●
Saddle	B81	◆	◆
Saddle Suede	C12	●	●
Slate	B64	◆	◆
Slate Suede	C72	●	●
Sunset	SU	◆	
Sunset Suede	D49	●	
Surfside	E65		●
Surfside Suede	E66		●
Translucent Driftwood	F72		●

		Jackson Cherry	Jackson Maple Square
		AA5C4	AA5M4
Translucent Limestone	E52		●
Translucent Phantom	F70		●
Unfinished	UF	◆	◆
Vintage Canvas	VC		●
Vintage Canvas Suede	E42		●
Vintage Cottage	F74		●
Vintage Cottage Suede	F75		●
Vintage Dove White	V7D		●
Vintage Dove White Suede	E44		●
Vintage Greyloft	B67		●
Vintage Greyloft Suede	E45		●
Vintage Linen	D91		●
Vintage Linen Suede	E46		●
Vintage Midnight	B71		●
Vintage Moonshine	E47		●
Vintage Moonshine Suede	D99		●
Vintage Onyx	E48		●
Vintage Onyx Suede	VO		●
Vintage Pebble Grey	E50		●
Vintage Pebble Grey Suede	B86		●
Vintage Warm White	E51		●
Vintage Warm White Suede	F76		●
Warm White	F77		●
Warm White Suede	F63		●
	F64		●

# Janell

Full Overlay

AJ2C4

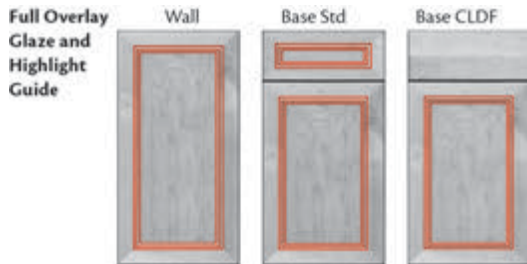
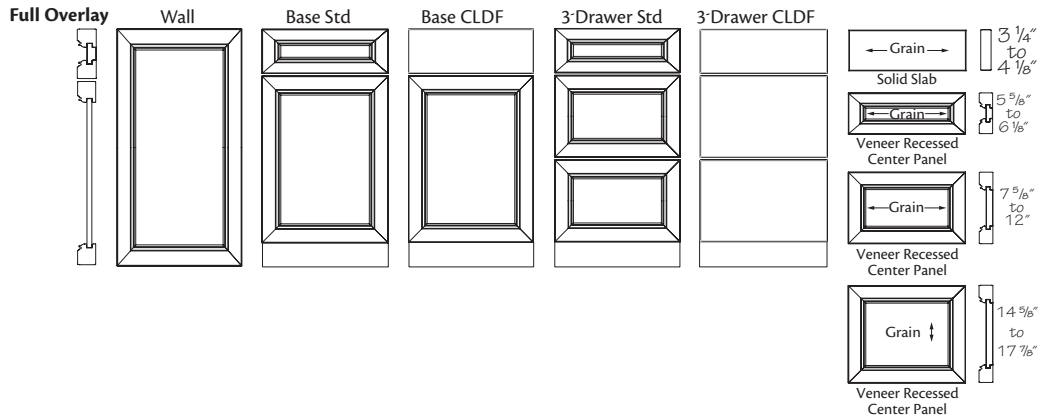
Cherry

AJ2M4

Maple



Scan to view all Janell doors



- Solid wood mitered door frame with 2 5/8" stiles and rails
- Square veneer recessed panel on wall and base doors
- Five-piece drawer front
- Classic Drawer Front (CLDF) option available
- 5 5/8" and 6 1/8" high drawer fronts have 2 1/4" stiles and rails
- Concealed hinge
- Hardware is required

## Decorative Doors & Inserts Available

### Aluminum Frame Glass

- Fresco Brushed Aluminum
- Vetro Brushed Aluminum

### Camed Glass

- Chateau
- Classic Camed Insert
- Palisades
- Penrose
- Victorian
- Yorkshire

### Classic Glass

- Bistro
- Prepared for Glass
- Prism
- Shadow

### Etched Glass

- Crossroads
- Lisbon
- Modern Frosted Insert
- Prairie
- Satina

### Layered Glass

- Antiquity
- Mirage
- Silk
- Wintersday

### Mullion Doors

- Ambry
- Castlegate
- Evansville
- Hewitt
- Showcase Mullion
- Traditional Mullion

### Specialty Inserts

- Chalkboard Insert
- Leather Insert

### Textured Glass

- Cascade
- Dolace
- Modern Textured Insert
- Moire
- Ravenna
- Styx
- Vauxhall

# Janell Finishes

- ❖ Available as Standard
- Premium Upcharge

		AJ2C4	AJ2M4
		Janell Cherry	Janell Maple
Autumn Blush	AB	❖	
Autumn Blush Suede	C21	●	
Autumn Blush W/Onyx Glaze	F81	●	
Autumn Blush W/Onyx Glaze Suede	F82	●	
Baltic	D78	❖	
Baltic Suede	D80	●	
Barley	E84	❖	❖
Barley Suede	E85	●	●
Bonsai	E69		●
Bonsai Suede	E70		●
Burmese	E67		●
Burmese Suede	E68		●
Cabernet	CT	❖	❖
Cabernet Suede	C80	●	●
Cabernet W/Onyx Glaze	F83	●	
Cabernet W/Onyx Glaze Suede	F84	●	
Camel	F68		●
Camel Suede	F69		●
Cannon Grey	D81	❖	❖
Cannon Grey Suede	D83	●	●
Canvas	CV		●
Canvas Suede	D37		●
Canvas W/Cinder Highlight	E87		●
Canvas W/Cinder Highlight Suede	E88		●
Canvas W/Cocoa Highlight	E90		●
Canvas W/Cocoa Highlight Suede	E89		●
Chestnut	CN	❖	
Chestnut Suede	C23	●	
Chestnut W/Onyx Glaze	F85		●
Chestnut W/Onyx Glaze Suede	F86		●
Chocolate	CC	❖	❖
Chocolate Suede	D87	●	●
Chocolate W/Ebony Glaze	F87	●	
Chocolate W/Ebony Glaze Suede	F88	●	
Cinnamon	CA	❖	❖
Cinnamon Suede	C74	●	●
Cinnamon W/Onyx Glaze	F89	●	●
Cinnamon W/Onyx Glaze Suede	F90	●	●
Cognac	CO	❖	❖
Cognac Suede	D85	●	●
Cottage	E80		●
Cottage Suede	E81		●
Dove White	DW		●
Dove White Suede	D40		●
Dove White W/Cinder Highlight	E93		●
Dove White W/Cinder Highlight Suede	E94		●
Dove White W/Cocoa Highlight	E95		●
Dove White W/Cocoa Highlight Suede	E96		●
Ginger	C88	❖	❖
Ginger Suede	C19	●	●
Ginger W/Sable Glaze	F91	●	●
Ginger W/Sable Glaze Suede	F92	●	●
Greyloft	B65		●
Greyloft Suede	D41		●
Greyloft W/Sable Highlight	E97		●
Greyloft W/Sable Highlight Suede	E98		●
Honey Spice	HS	❖	❖
Honey Spice Suede	D88	●	●
Husk	B82	❖	
Husk Suede	C13	●	
Kaffé	KA	❖	❖
Kaffé Suede	C27	●	●
Lagoon	E63		●
Lagoon Suede	E64		●
Linen	D90		●
Linen Suede	D93		●

		AJ2C4	AJ2M4
		Janell Cherry	Janell Maple
Linen W/Cinder Highlight	E99		●
Linen W/Cinder Highlight Suede	F00		●
Linen W/Cocoa Highlight	F01		●
Linen W/Cocoa Highlight Suede	F02		●
Midnight	B69		●
Midnight Suede	D42		●
Midnight W/Onyx Highlight	F03		●
Midnight W/Onyx Highlight Suede	F04		●
Molasses	E58	❖	❖
Molasses Suede	E59	●	●
Moonshine	D98		●
Moonshine Suede	E02		●
Moonshine W/Cinder Highlight	F05		●
Moonshine W/Cinder Highlight Suede	F06		●
Moonshine W/Cocoa Highlight	F07		●
Moonshine W/Cocoa Highlight Suede	F08		●
Natural	NA	❖	❖
Natural Suede	D89	●	●
Onyx	A21		●
Onyx Suede	D44		●
Pebble Grey	B83		●
Pebble Grey Suede	D45		●
Pebble Grey W/Cocoa Highlight	F09		●
Pebble Grey W/Cocoa Highlight Suede	F10		●
Peppercorn	PC	❖	❖
Peppercorn Suede	D53	●	●
Praline	PR	❖	❖
Praline Suede	C78	●	●
Praline W/Onyx Glaze	F93		●
Praline W/Onyx Glaze Suede	F94		●
Rainfall	E82		●
Rainfall Suede	E83		●
Riverbed	F66		●
Riverbed Suede	F67		●
Rocky Mountain Sky	E61		●
Rocky Mountain Sky Suede	E62		●
Saddle	B81	❖	❖
Saddle Suede	C12	●	●
Slate	B64	❖	❖
Slate Suede	C72	●	●
Sunset	SU	❖	
Sunset Suede	D49	●	
Surfside	E65		●
Surfside Suede	E66		●
Translucent Driftwood	F72		●
Translucent Limestone	E52		●
Translucent Phantom	F70		●
Unfinished	UF	❖	❖
Warm White	F63		●
Warm White Suede	F64		●

# Jasper

Full Overlay

**AB5C4**

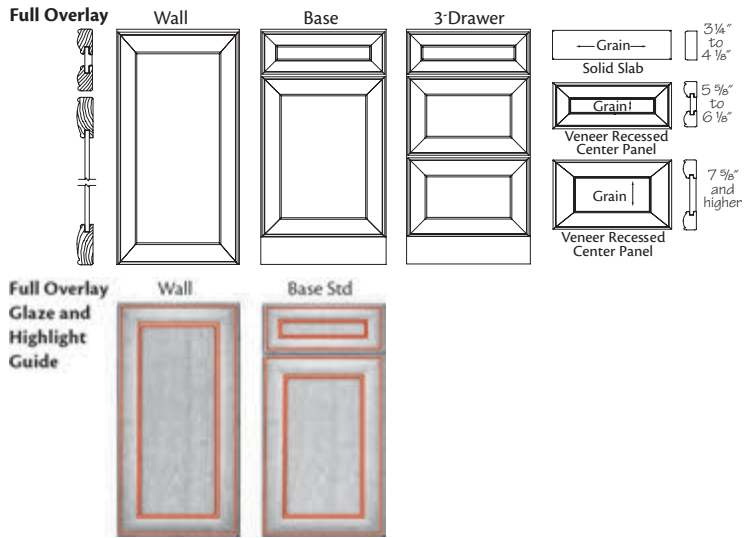
Cherry

**AB5M4**

Maple



Scan to view all Jasper doors



- Solid wood mitered door frame with 2 3/4" stiles and rails
- Square veneer recessed panel on wall and base doors
- Drawer front varies depending on height
- Wood grain orientation on drawer fronts is vertical, unless noted
- Concealed hinge
- Hardware is required

## Decorative Doors & Inserts Available

### Aluminum Frame Glass

- Fresco Brushed Aluminum
- Vetro Brushed Aluminum

### Camed Glass

- Chateau
- Classic Camed Insert
- Palisades
- Penrose
- Victorian
- Yorkshire

### Classic Glass

- Bistro
- Prepared for Glass
- Prism
- Shadow

### Etched Glass

- Crossroads
- Lisbon
- Modern Frosted Insert
- Prairie
- Satina

### Layered Glass

- Antiquity
- Mirage
- Silk
- Wintersday

### Mullion Doors

- Castlegate
- Evansville
- Hewitt
- Showcase Mullion
- Traditional Mullion

### Specialty Inserts

- Chalkboard Insert
- Leather Insert

### Textured Glass

- Cascade
- Dolace
- Modern Textured Insert
- Moire
- Ravenna
- Styx
- Vauxhall

# Jasper Finishes

- ◆ Available as Standard
- Premium Upcharge

		Jasper Cherry Square	Jasper Maple Square	AB5C4	AB5M4
Autumn Blush	AB	◆			
Autumn Blush Suede	C21	●			
Autumn Blush W/Onyx Glaze	F81	●			
Autumn Blush W/Onyx Glaze Suede	F82	●			
Baltic	D78	◆			
Baltic Suede	D80	●			
Barley	E84	◆	◆		
Barley Suede	E85	●	●		
Bonsai	E69		●		
Bonsai Suede	E70		●		
Burmese	E67		●		
Burmese Suede	E68		●		
Cabernet	CT	◆	◆		
Cabernet Suede	C80	●	●		
Cabernet W/Onyx Glaze	F83	●			
Cabernet W/Onyx Glaze Suede	F84	●			
Camel	F68		●		
Camel Suede	F69		●		
Cannon Grey	D81	◆	◆		
Cannon Grey Suede	D83	●	●		
Canvas	CV		●		
Canvas Suede	D37		●		
Canvas W/Cinder Highlight	E87		●		
Canvas W/Cinder Highlight Suede	E88		●		
Canvas W/Cocoa Highlight Suede	E90		●		
Canvas W/Cocoa Highlight	E89		●		
Chestnut	CN	◆			
Chestnut Suede	C23	●			
Chestnut W/Onyx Glaze	F85	●			
Chestnut W/Onyx Glaze Suede	F86	●			
Chocolate	CC	◆	◆		
Chocolate Suede	D87	●	●		
Chocolate W/Ebony Glaze	F87	●			
Chocolate W/Ebony Glaze Suede	F88	●			
Cinnamon	CA	◆	◆		
Cinnamon Suede	C74	●	●		
Cinnamon W/Onyx Glaze	F89	●	●		
Cinnamon W/Onyx Glaze Suede	F90	●	●		
Cognac	CO	◆	◆		
Cognac Suede	D85	●	●		
Cottage	E80		●		
Cottage Suede	E81		●		
Dove White	DW		●		
Dove White Suede	D40		●		
Dove White W/Cinder Highlight	E93		●		
Dove White W/Cinder Highlight Suede	E94		●		
Dove White W/Cocoa Highlight	E95		●		
Dove White W/Cocoa Highlight Suede	E96		●		
Ginger	C88	◆	◆		
Ginger Suede	C19	●	●		
Ginger W/Sable Glaze	F91	●	●		
Ginger W/Sable Glaze Suede	F92	●	●		
Greyloft	B65		●		
Greyloft Suede	D41		●		
Greyloft W/Sable Highlight	E97		●		
Greyloft W/Sable Highlight Suede	E98		●		
Honey Spice	HS	◆	◆		
Honey Spice Suede	D88	●	●		
Husk	B82	◆			
Husk Suede	C13	●			
Kaffé	KA	◆	◆		
Kaffé Suede	C27	●	●		
Lagoon	E63		●		
Lagoon Suede	E64		●		
Linen	D90		●		
Linen Suede	D93		●		

		Jasper Cherry Square	Jasper Maple Square	AB5C4	AB5M4
Linen W/Cinder Highlight	E99		●		
Linen W/Cinder Highlight Suede	F00		●		
Linen W/Cocoa Highlight	F01		●		
Linen W/Cocoa Highlight Suede	F02		●		
Midnight	B69		●		
Midnight Suede	D42		●		
Midnight W/Onyx Highlight	F03		●		
Midnight W/Onyx Highlight Suede	F04		●		
Molasses	E58	◆	◆		
Molasses Suede	E59	●	●		
Moonshine	D98		●		
Moonshine Suede	E02		●		
Moonshine W/Cinder Highlight	F05		●		
Moonshine W/Cinder Highlight Suede	F06		●		
Moonshine W/Cocoa Highlight	F07		●		
Moonshine W/Cocoa Highlight Suede	F08		●		
Natural	NA	◆	◆		
Natural Suede	D89	●	●		
Onyx	A21		●		
Onyx Suede	D44		●		
Pebble Grey	B83		●		
Pebble Grey Suede	D45		●		
Pebble Grey W/Cocoa Highlight	F09		●		
Pebble Grey W/Cocoa Highlight Suede	F10		●		
Peppercorn	PC	◆	◆		
Peppercorn Suede	D53	●	●		
Praline	PR	◆	◆		
Praline Suede	C78	●	●		
Praline W/Onyx Glaze	F93	●	●		
Praline W/Onyx Glaze Suede	F94	●	●		
Rainfall	E82		●		
Rainfall Suede	E83		●		
Riverbed	F66		●		
Riverbed Suede	F67		●		
Rocky Mountain Sky	E61		●		
Rocky Mountain Sky Suede	E62		●		
Saddle	B81	◆	◆		
Saddle Suede	C12	●	●		
Slate	B64	◆	◆		
Slate Suede	C72	●	●		
Sunset	SU	◆			
Sunset Suede	D49	●			
Surfside	E65		●		
Surfside Suede	E66		●		
Translucent Driftwood	F72		●		
Translucent Limestone	E52		●		
Translucent Phantom	F70		●		
Unfinished	UF	◆	◆		
Warm White	F63		●		
Warm White Suede	F64		●		

# Lansing

Full Overlay

**AB3C4**

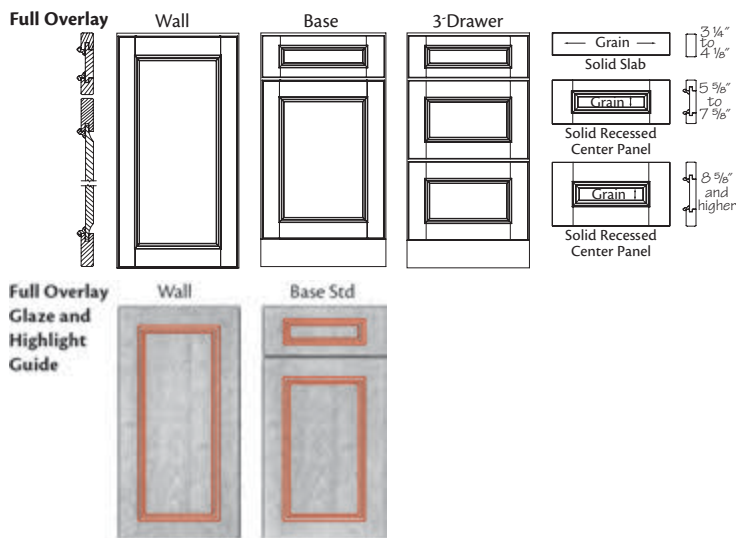
Cherry

**AB3M4**

Maple



Scan to view all Lansing doors



- Solid wood door frame with 2 5/8" stiles and rails
- Square solid recessed panel on wall and base doors
- Applied decorative molding
- Drawer front varies depending on height
- Wood grain orientation on drawer fronts is vertical, unless noted
- Concealed hinge
- Hardware is required

## Decorative Doors & Inserts Available

### Aluminum Frame Glass

- Fresco Brushed Aluminum
- Vetro Brushed Aluminum

### Camed Glass

- Chateau
- Classic Camed Insert
- Palisades
- Penrose
- Victorian
- Yorkshire

### Classic Glass

- Bistro
- Prepared for Glass
- Shadow

### Etched Glass

- Crossroads
- Lisbon
- Prairie
- Satina

### Layered Glass

- Antiquity
- Mirage
- Silk
- Wintersday

### Mullion Doors

- Ambry
- Castlegate
- Evansville
- Hewitt
- Showcase Mullion
- Traditional Mullion

### Specialty Inserts

- Chalkboard Insert
- Leather Insert

### Textured Glass

- Cascade
- Dolace
- Modern Textured Insert
- Moire
- Ravenna
- Styx
- Vauxhall



# Lansing Finishes

- ◆ Available as Standard
- Premium Upcharge

		Lansing Cherry Square	AB3C4	Lansing Maple Square	AB3M4
Autumn Blush	AB	◆			
Autumn Blush Suede	C21	●			
Autumn Blush W/Onyx Glaze	F81	●			
Autumn Blush W/Onyx Glaze Suede	F82	●			
Baltic	D78	◆			
Baltic Suede	D80	●			
Barley	E84	◆	◆		
Barley Suede	E85	●	●		
Bonsai	E69	●			
Bonsai Suede	E70	●			
Burmese	E67	●			
Burmese Suede	E68	●			
Cabernet	CT	◆	◆		
Cabernet Suede	C80	●	●		
Cabernet W/Onyx Glaze	F83	●			
Cabernet W/Onyx Glaze Suede	F84	●			
Camel	F68	●			
Camel Suede	F69	●			
Cannon Grey	D81	◆	◆		
Cannon Grey Suede	D83	●	●		
Canvas	CV	●			
Canvas Suede	D37	●			
Canvas W/Cinder Highlight	E87	●			
Canvas W/Cinder Highlight Suede	E88	●			
Canvas W/Cocoa Highlight	E90	●			
Canvas W/Cocoa Highlight Suede	E89	●			
Chestnut	CN	◆			
Chestnut Suede	C23	●			
Chestnut W/Onyx Glaze	F85	●			
Chestnut W/Onyx Glaze Suede	F86	●			
Chocolate	CC	◆	◆		
Chocolate Suede	D87	●	●		
Chocolate W/Ebony Glaze	F87	●			
Chocolate W/Ebony Glaze Suede	F88	●			
Cinnamon	CA	◆	◆		
Cinnamon Suede	C74	●	●		
Cinnamon W/Onyx Glaze	F89	●	●		
Cinnamon W/Onyx Glaze Suede	F90	●	●		
Cognac	CO	◆	◆		
Cognac Suede	D85	●	●		
Cottage	E80	●			
Cottage Suede	E81	●			
Distressed Autumn Blush	C22	●			
Distressed Baltic	D79	●			
Distressed Barley	E86	●	●		
Distressed Cabernet	C87	●	●		
Distressed Cannon Grey	D82	●	●		
Distressed Chestnut	C24	●			
Distressed Chocolate	D86	●	●		
Distressed Cinnamon	C75	●	●		
Distressed Cognac	D84	●	●		
Distressed Ginger	C20	●	●		
Distressed Husk	C15	●	●		
Distressed Kaffé	C28	●	●		
Distressed Molasses	E60	●	●		
Distressed Peppercorn	C86	●	●		
Distressed Praline	C79	●	●		
Distressed Saddle	C14	●	●		
Distressed Slate	C73	●	●		
Distressed Sunset	D50	●			
Distressed Translucent Driftwood	F73	●			
Distressed Translucent Limestone	E53	●			
Distressed Translucent Phantom	F71	●			
Dove White	DW	●			
Dove White Suede	D40	●			
Dove White W/Cinder Highlight	E93	●			
Dove White W/Cinder Highlight Suede	E94	●			
Dove White W/Cocoa Highlight	E95	●			
Dove White W/Cocoa Highlight Suede	E96	●			
Ginger	C88	◆	◆		
Ginger Suede	C19	●	●		
Ginger W/Sable Glaze	F91	●	●		
Ginger W/Sable Glaze Suede	F92	●	●		
Greyloft	B65	●			
Greyloft Suede	D41	●			
Greyloft W/Sable Highlight	E97	●			
Greyloft W/Sable Highlight Suede	E98	●			
Honey Spice	HS	◆	◆		
Honey Spice Suede	D88	●	●		
Husk	B82	◆			
Husk Suede	C13	●			
Kaffé	KA	◆	◆		
Kaffé Suede	C27	●	●		
Lagoon	E63	●			
Lagoon Suede	E64	●			
Linen	D90	●			
Linen Suede	D93	●			
Linen W/Cinder Highlight	E99	●			
Linen W/Cinder Highlight Suede	F00	●			
Linen W/Cocoa Highlight	F01	●			
Linen W/Cocoa Highlight Suede	F02	●			
Midnight	B69	●			
Midnight Suede	D42	●			
Midnight W/Onyx Highlight	F03	●			
Midnight W/Onyx Highlight Suede	F04	●			
Molasses	E58	◆	◆		
Molasses Suede	E59	●	●		
Moonshine	D98	●			
Moonshine Suede	E02	●			
Moonshine W/Cinder Highlight	F05	●			
Moonshine W/Cinder Highlight Suede	F06	●			
Moonshine W/Cocoa Highlight	F07	●			
Moonshine W/Cocoa Highlight Suede	F08	●			
Natural	NA	◆	◆		
Natural Suede	D89	●	●		
Onyx	A21	●			
Onyx Suede	D44	●			
Pebble Grey	B83	●			
Pebble Grey Suede	D45	●			
Pebble Grey W/Cocoa Highlight	F09	●			
Pebble Grey W/Cocoa Highlight Suede	F10	●			
Peppercorn	PC	◆	◆		
Peppercorn Suede	D53	●	●		
Praline	PR	◆	◆		
Praline Suede	C78	●	●		
Praline W/Onyx Glaze	F93	●			
Praline W/Onyx Glaze Suede	F94	●			
Rainfall	E82	●			
Rainfall Suede	E83	●			
Riverbed	F66	●			
Riverbed Suede	F67	●			
Rocky Mountain Sky	E61	●			
Rocky Mountain Sky Suede	E62	●			
Saddle	B81	◆	◆		
Saddle Suede	C12	●	●		
Slate	B64	◆	◆		
Slate Suede	C72	●	●		
Sunset	SU	◆			
Sunset Suede	D49	●			
Surfside	E65	●			
Surfside Suede	E66	●			
Translucent Driftwood	F72	●			
Translucent Limestone	E52	●			
Translucent Phantom	F70	●			
Unfinished	UF	◆	◆		
Vintage Canvas	VC	◆	◆		
Vintage Canvas Suede	E42	●			
Vintage Cottage	F74	●			
Vintage Cottage Suede	F75	●			
Vintage Dove White	VD	●			
Vintage Dove White Suede	E44	●			
Vintage Greyloft	B67	●			
Vintage Greyloft Suede	E45	●			
Vintage Linen	D91	●			
Vintage Linen Suede	E46	●			
Vintage Midnight	B71	●			
Vintage Midnight Suede	E47	●			
Vintage Moonshine	D99	●			
Vintage Moonshine Suede	E48	●			
Vintage Onyx	VO	●			
Vintage Onyx Suede	E50	●			
Vintage Pebble Grey	B86	●			
Vintage Pebble Grey Suede	E51	●			
Vintage Warm White	F76	●			
Vintage Warm White Suede	F77	●			
Warm White	F63	●			
Warm White Suede	F64	●			

# Lennox Court

Full Overlay

LCC4

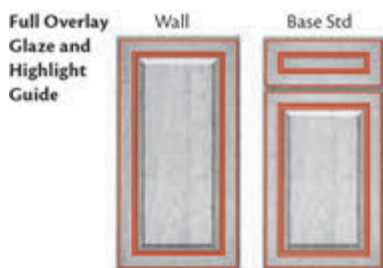
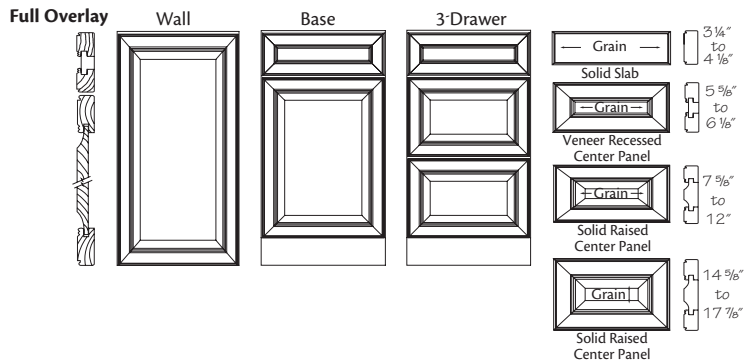
Cherry

LCM4

Maple



Scan to view all  
Lennox Court  
doors



- Solid wood mitered beaded door frame with 2 3/16" stiles and rails
- Square solid raised panel on wall and base doors
- Five-piece beaded drawer front
- Drawer front varies depending on height
- Concealed hinge
- Hardware is required

## Decorative Doors & Inserts Available

### Aluminum Frame Glass

- Fresco Brushed Aluminum
- Vetro Brushed Aluminum

### Camed Glass

- Chateau
- Classic Camed Insert
- Palisades
- Penrose
- Victorian
- Yorkshire

### Classic Glass

- Bistro
- Prepared for Glass
- Prism
- Shadow

### Etched Glass

- Crossroads
- Lisbon
- Modern Frosted Insert
- Prairie
- Satina

### Layered Glass

- Antiquity
- Mirage
- Silk
- Wintersday

### Mullion Doors

- Castlegate
- Evansville
- Hewitt
- Palladia
- Raleigh
- Showcase Mullion
- Traditional Mullion

### Specialty Inserts

- Chalkboard Insert
- Leather Insert

### Textured Glass

- Cascade
- Dolace
- Modern Textured Insert
- Moire
- Ravenna
- Styx
- Vauxhall

# Lennox Court Finishes

- ❖ Available as Standard
- Premium Upcharge

		Lennox Court Cherry	Lennox Court Maple	LCC4	LCM4
Autumn Blush	AB	❖			
Autumn Blush Suede	C21	●			
Autumn Blush W/Onyx Glaze	F81	●			
Autumn Blush W/Onyx Glaze Suede	F82	●			
Baltic	D78	❖			
Baltic Suede	D80	●			
Barley	E84	❖	❖		
Barley Suede	E85	●	●		
Bonsai	E69		●		
Bonsai Suede	E70		●		
Burmese	E67		●		
Burmese Suede	E68		●		
Cabernet	CT	❖	❖		
Cabernet Suede	C80	●	●		
Cabernet W/Onyx Glaze	F83	●			
Cabernet W/Onyx Glaze Suede	F84	●			
Camel	F68		●		
Camel Suede	F69		●		
Cannon Grey	D81	❖	❖		
Cannon Grey Suede	D83	●	●		
Canvas	CV		●		
Canvas Suede	D37		●		
Canvas W/Cinder Highlight	E87		●		
Canvas W/Cinder Highlight Suede	E88		●		
Canvas W/Cocoa Highlight Suede	E90		●		
Canvas W/Cocoa Highlight	E89		●		
Chestnut	CN	❖			
Chestnut Suede	C23		●		
Chestnut W/Onyx Glaze	F85		●		
Chestnut W/Onyx Glaze Suede	F86		●		
Chocolate	CC	❖	❖		
Chocolate Suede	D87	●	●		
Chocolate W/Ebony Glaze	F87		●		
Chocolate W/Ebony Glaze Suede	F88		●		
Cinnamon	CA	❖	❖		
Cinnamon Suede	C74	●	●		
Cinnamon W/Onyx Glaze	F89	●	●		
Cinnamon W/Onyx Glaze Suede	F90	●	●		
Cognac	CO	❖	❖		
Cognac Suede	D85	●	●		
Cottage	E80		●		
Cottage Suede	E81		●		
Distressed Autumn Blush	C22	●			
Distressed Baltic	D79	●			
Distressed Barley	E86	●	●		
Distressed Cabernet	C87	●	●		
Distressed Cannon Grey	D82	●	●		
Distressed Chestnut	C24		●		
Distressed Chocolate	D86	●	●		
Distressed Cinnamon	C75	●	●		
Distressed Cognac	D84	●	●		
Distressed Ginger	C20	●	●		
Distressed Husk	C15	●	●		
Distressed Kaffé	C28	●	●		
Distressed Molasses	E60	●	●		
Distressed Peppercorn	C86	●	●		
Distressed Praline	C79	●	●		
Distressed Saddle	C14	●	●		
Distressed Slate	C73	●	●		
Distressed Sunset	D50	●			
Distressed Translucent Driftwood	F73		●		
Distressed Translucent Limestone	E53		●		
Distressed Translucent Phantom	F71		●		
Dove White	DW		●		
Dove White Suede	D40		●		
Dove White W/Cinder Highlight	E93		●		
Dove White W/Cinder Highlight Suede	E94		●		
Dove White W/Cocoa Highlight	E95		●		
Dove White W/Cocoa Highlight Suede	E96		●		
Ginger	C88	❖	❖		
Ginger Suede	C19	●	●		
Ginger W/Sable Glaze	F91	●	●		
Ginger W/Sable Glaze Suede	F92	●	●		
Greyloft	B65		●		
Greyloft Suede	D41		●		
Greyloft W/Sable Highlight	E97		●		
Greyloft W/Sable Highlight Suede	E98		●		
Honey Spice	HS	❖	❖		
Honey Spice Suede	D88	●	●		
Husk	B82	❖			
Husk Suede	C13		●		
Kaffé	KA	❖	❖		
Kaffé Suede	C27	●	●		
Lagoon	E63		●		
Lagoon Suede	E64		●		
Linen	D90		●		
Linen Suede	D93		●		
Linen W/Cinder Highlight	E99		●		
Linen W/Cinder Highlight Suede	F00		●		
Linen W/Cocoa Highlight	F01		●		
Linen W/Cocoa Highlight Suede	F02		●		
Midnight	B69		●		
Midnight Suede	D42		●		
Midnight W/Onyx Highlight	F03		●		
Midnight W/Onyx Highlight Suede	F04		●		
Molasses	E58	❖	❖		
Molasses Suede	E59	●	●		
Moonshine	D98		●		
Moonshine Suede	E02		●		
Moonshine W/Cinder Highlight	F05		●		
Moonshine W/Cinder Highlight Suede	F06		●		
Moonshine W/Cocoa Highlight	F07		●		
Moonshine W/Cocoa Highlight Suede	F08		●		
Natural	NA	❖	❖		
Natural Suede	D89	●	●		
Onyx	A21		●		
Onyx Suede	D44		●		
Pebble Grey	B83		●		
Pebble Grey Suede	D45		●		
Pebble Grey W/Cocoa Highlight	F09		●		
Pebble Grey W/Cocoa Highlight Suede	F10		●		
Peppercorn	PC	❖	❖		
Peppercorn Suede	D53	●	●		
Praline	PR	❖	❖		
Praline Suede	C78	●	●		
Praline W/Onyx Glaze	F93		●		
Praline W/Onyx Glaze Suede	F94		●		
Rainfall	E82		●		
Rainfall Suede	E83		●		
Riverbed	F66		●		
Riverbed Suede	F67		●		
Rocky Mountain Sky	E61		●		
Rocky Mountain Sky Suede	E62		●		
Saddle	B81	❖	❖		
Saddle Suede	C12	●	●		
Slate	B64	❖	❖		
Slate Suede	C72	●	●		
Sunset	SU	❖			
Sunset Suede	D49	●			
Surfside	E65		●		
Surfside Suede	E66		●		
Translucent Driftwood	F72		●		
Translucent Limestone	E52		●		
Translucent Phantom	F70		●		
Unfinished	UF	❖	❖		
Vintage Canvas	VC		●		
Vintage Canvas Suede	E42		●		
Vintage Cottage	F74		●		
Vintage Cottage Suede	F75		●		
Vintage Dove White	VD		●		
Vintage Dove White Suede	E44		●		
Vintage Greyloft	B67		●		
Vintage Greyloft Suede	E45		●		
Vintage Linen	D91		●		
Vintage Linen Suede	E46		●		
Vintage Midnight	B71		●		
Vintage Midnight Suede	E47		●		
Vintage Moonshine	D99		●		
Vintage Moonshine Suede	E48		●		
Vintage Onyx	VO		●		
Vintage Onyx Suede	E50		●		
Vintage Pebble Grey	B86		●		
Vintage Pebble Grey Suede	E51		●		
Vintage Warm White	F76		●		
Vintage Warm White Suede	F77		●		
Warm White	F63		●		
Warm White Suede	F64		●		

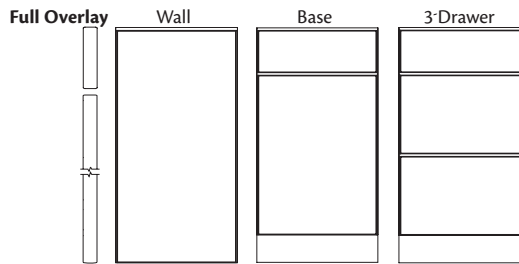
# Madison

Full Overlay

- AW4** Cherry
- MLD4** EverCore®
- ML4** Maple



Scan to view all Madison doors



- Solid slab on wall and base doors
- Slab drawer front
- Square solid panel on wall and base doors, except EverCore®, which will be mechanically compressed wood fiber
- Wood grain orientation is vertical on door and horizontal on drawer front; **not** book matched between pieces
- Concealed hinge
- Hardware is required

## Decorative Doors & Inserts Available

### Aluminum Frame Glass

- Fresco Brushed Aluminum
- Vetro Brushed Aluminum

### Camed Glass

- Chateau
- Classic Camed Insert
- Palisades
- Penrose
- Victorian
- Yorkshire

### Classic Glass

- Bistro
- Prepared for Glass
- Prism
- Shadow

### Etched Glass

- Crossroads
- Lisbon
- Modern Frosted Insert
- Prairie
- Satina

### Layered Glass

- Antiquity
- Mirage
- Silk
- Wintersday

### Mullion Doors

- Ambry ★
- Castlegate ★
- Evansville ★
- Hewitt ★
- Palladia ★
- Raleigh ★
- Showcase Mullion ★
- Traditional Mullion ★

### Specialty Inserts

- Chalkboard Insert
- Leather Insert

### Textured Glass

- Cascade
- Dolace
- Modern Textured Insert
- Moire
- Ravenna
- Styx
- Vauxhall

★ **Not** available in EverCore® door styles

# Madison Finishes

- ◆ Available as Standard
- Premium Upcharge

		AW4	MLD4	ML4
		Madison Cherry	Madison EverCore®	Madison Maple
Autumn Blush	AB	◆		
Autumn Blush Suede	C21	●		
Baltic	D78	◆		
Baltic Suede	D80	●		
Barley	E84	◆		◆
Barley Suede	E85	●		●
Bonsai	E69		●	●
Bonsai Suede	E70		●	●
Burmese	E67		●	●
Burmese Suede	E68		●	●
Cabernet	CT	◆		◆
Cabernet Suede	C80	●		●
Camel	F68		●	●
Camel Suede	F69		●	●
Cannon Grey	D81	◆		◆
Cannon Grey Suede	D83	●		●
Canvas	CV		●	●
Canvas Suede	D37		●	●
Chestnut	CN			◆
Chestnut Suede	C23			●
Chocolate	CC	◆		◆
Chocolate Suede	D87	●		●
Cinnamon	CA	◆		◆
Cinnamon Suede	C74	●		●
Cognac	CO	◆		◆
Cognac Suede	D85	●		●
Cottage	E80		●	●
Cottage Suede	E81		●	●
Dove White	DW		●	●
Dove White Suede	D40		●	●
Ginger	C88	◆		◆
Ginger Suede	C19	●		●
Greyloft	B65		●	●
Greyloft Suede	D41		●	●
Honey Spice	HS	◆		◆
Honey Spice Suede	D88	●		●
Husk	B82	◆		
Husk Suede	C13	●		
Kaffé	KA	◆		◆
Kaffé Suede	C27	●		●
Lagoon	E63		●	●
Lagoon Suede	E64		●	●
Linen	D90		●	●
Linen Suede	D93		●	●
Midnight	B69		●	●
Midnight Suede	D42		●	●
Molasses	E58	◆		◆
Molasses Suede	E59	●		●
Moonshine	D98		●	●
Moonshine Suede	E02		●	●
Natural	NA	◆		◆
Natural Suede	D89	●		●
Onyx	A21		●	●
Onyx Suede	D44		●	●
Pebble Grey	B83		●	●
Pebble Grey Suede	D45		●	●
Peppercorn	PC	◆		◆
Peppercorn Suede	D53	●		●
Praline	PR	◆		◆
Praline Suede	C78	●		●
Rainfall	E82		●	●
Rainfall Suede	E83		●	●

		AW4	MLD4	ML4
		Madison Cherry	Madison EverCore®	Madison Maple
Riverbed	F66		●	●
Riverbed Suede	F67		●	●
Rocky Mountain Sky	E61		●	●
Rocky Mountain Sky Suede	E62		●	●
Saddle	B81	◆		◆
Saddle Suede	C12	●		●
Slate	B64	◆		◆
Slate Suede	C72	●		●
Sunset	SU	◆		
Sunset Suede	D49	●		
Surfside	E65		●	●
Surfside Suede	E66		●	●
Translucent Driftwood	F72			●
Translucent Limestone	E52			●
Translucent Phantom	F70			●
Unfinished	UF	◆		◆
Warm White	F63		●	●
Warm White Suede	F64		●	●

# Manchester

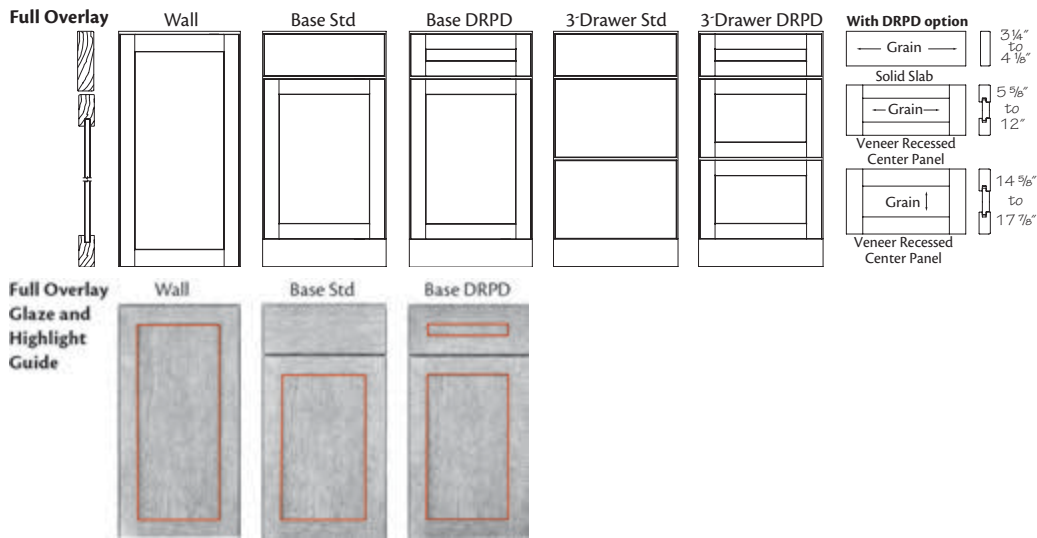
Full Overlay

MRO4

Quartersawn Oak



Scan to view all Manchester doors



- Solid wood door frame with 2 1/4" stiles and rails
- Square quartersawn Oak veneer recessed center panel
- Solid quartersawn Oak slab drawer fronts
- Deluxe Recessed Panel Drawer (DRPD) front available
- Concealed hinge
- Hardware is required

## Decorative Doors & Inserts Available

### Aluminum Frame Glass

- Fresco Brushed Aluminum
- Vetro Brushed Aluminum

### Camed Glass

- Chateau
- Classic Camed Insert
- Palisades
- Penrose
- Victorian
- Yorkshire

### Classic Glass

- Bistro
- Prepared for Glass
- Prism
- Shadow

### Etched Glass

- Crossroads
- Lisbon
- Modern Frosted Insert
- Prairie
- Satina

### Layered Glass

- Antiquity
- Mirage
- Silk
- Wintersday

### Mullion Doors

- Ambry
- Castlegate
- Evansville
- Hewitt
- Showcase Mullion
- Traditional Mullion

### Specialty Inserts

- Chalkboard Insert
- Leather Insert

### Textured Glass

- Cascade
- Dolace
- Modern Textured Insert
- Moire
- Ravenna
- Styx
- Vauxhall

# Manchester Finishes

- ❖ Available as Standard
- Premium Upcharge

		MRO4
		Manchester
Autumn Blush	AB	❖
Autumn Blush Suede	C21	●
Autumn Blush W/Onyx Glaze	F81	●
Autumn Blush W/Onyx Glaze Suede	F82	●
Baltic	D78	❖
Baltic Suede	D80	●
Barley	E84	❖
Barley Suede	E85	●
Cannon Grey	D81	❖
Cannon Grey Suede	D83	●
Cognac	CO	❖
Cognac Suede	D85	●
Fawn	FN	❖
Fawn Suede	D51	●
Ginger	C88	❖
Ginger Suede	C19	●
Ginger W/Sable Glaze	F91	●
Ginger W/Sable Glaze Suede	F92	●
Honey Spice	HS	❖
Honey Spice Suede	D88	●
Husk	B82	❖
Husk Suede	C13	●
Kaffé	KA	❖
Kaffé Suede	C27	●
Molasses	E58	❖
Molasses Suede	E59	●
Natural	NA	❖
Natural Suede	D89	●
Onyx	A21	●
Onyx Suede	D44	●
Peppercorn	PC	❖
Peppercorn Suede	D53	●
Praline	PR	❖
Praline Suede	C78	●
Saddle	B81	❖
Saddle Suede	C12	●
Slate	B64	❖
Slate Suede	C72	●
Translucent Driftwood	F72	●
Translucent Limestone	E52	●
Translucent Phantom	F70	●
Unfinished	UF	❖

# Northwood

1/2" Overlay

**2NG4**

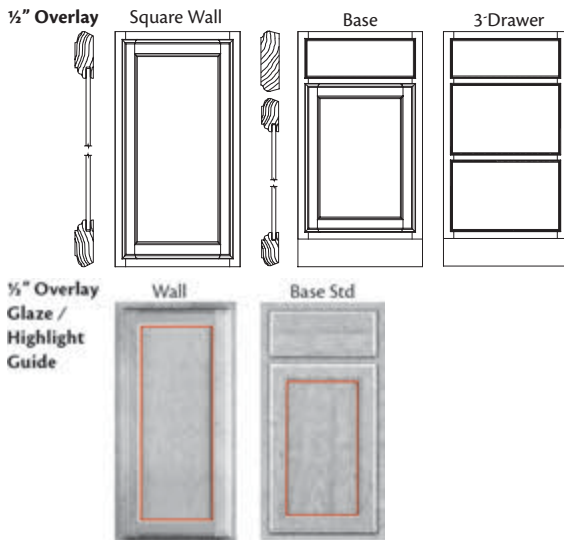
Maple Square

**2SW4**

Oak Square



Scan to view all Northwood doors



- Solid wood door frame with 2 3/16" stiles and rails
- Square veneer recessed panel on wall and base doors
- Reverse bevel lip
- Slab drawer front
- Concealed or optional knife hinge
- Hardware is optional

## Decorative Doors & Inserts Available

### Camed Glass

- Chateau
- Palisades
- Penrose
- Victorian
- Yorkshire

### Classic Glass

- Bistro
- Prepared for Glass
- Prism
- Shadow

### Etched Glass

- Crossroads
- Lisbon
- Prairie
- Satina

### Layered Glass

- Antiquity
- Mirage
- Silk
- Wintersday

### Mullion Doors

- Showcase Mullion
- Traditional Mullion

### Specialty Inserts

- Chalkboard Insert
- Leather Insert

### Textured Glass

- Cascade
- Dolace
- Moire
- Ravenna
- Styx
- Vauxhall



# Northwood Finishes

- ❖ Available as Standard
- Premium Upcharge

		2NG4	2SW4
		Northwood Maple Square	Northwood Oak Square
Autumn Blush	AB	❖	
Autumn Blush Suede	C21	●	
Autumn Blush W/Onyx Glaze	F81	●	
Autumn Blush W/Onyx Glaze Suede	F82	●	
Baltic	D78	❖	
Baltic Suede	D80	●	
Barley	E84	❖	❖
Barley Suede	E85	●	●
Bonsai	E69	●	
Bonsai Suede	E70	●	
Burmese	E67	●	
Burmese Suede	E68	●	
Cabernet	CT	❖	
Cabernet Suede	C80	●	
Camel	F68	●	
Camel Suede	F69	●	
Cannon Grey	D81	❖	❖
Cannon Grey Suede	D83	●	●
Canvas	CV	●	
Canvas Suede	D37	●	
Canvas W/Cinder Highlight	E87	●	
Canvas W/Cinder Highlight Suede	E88	●	
Canvas W/Cocoa Highlight Suede	E90	●	
Canvas W/Cocoa Highlight	E89	●	
Chestnut	CN	❖	
Chestnut Suede	C23	●	
Chestnut W/Onyx Glaze	F85	●	
Chestnut W/Onyx Glaze Suede	F86	●	
Chocolate	CC	❖	
Chocolate Suede	D87	●	
Cinnamon	CA	❖	
Cinnamon Suede	C74	●	
Cinnamon W/Onyx Glaze	F89	●	
Cinnamon W/Onyx Glaze Suede	F90	●	
Cognac	CO	❖	❖
Cognac Suede	D85	●	●
Cottage	E80	●	
Cottage Suede	E81	●	
Dove White	DW	●	
Dove White Suede	D40	●	
Dove White W/Cinder Highlight	E93	●	
Dove White W/Cinder Highlight Suede	E94	●	
Dove White W/Cocoa Highlight	E95	●	
Dove White W/Cocoa Highlight Suede	E96	●	
Fawn	FN	❖	
Fawn Suede	D51	●	
Ginger	C88	❖	❖
Ginger Suede	C19	●	●
Ginger W/Sable Glaze	F91	●	●
Ginger W/Sable Glaze Suede	F92	●	●
Greyloft	B65	●	
Greyloft Suede	D41	●	
Greyloft W/Sable Highlight	E97	●	
Greyloft W/Sable Highlight Suede	E98	●	
Honey Spice	HS	❖	❖
Honey Spice Suede	D88	●	●
Husk	B82	❖	
Husk Suede	C13	●	
Kaffé	KA	❖	❖
Kaffé Suede	C27	●	●
Lagoon	E63	●	
Lagoon Suede	E64	●	
Linen	D90	●	
Linen Suede	D93	●	
Linen W/Cinder Highlight	E99	●	
Linen W/Cinder Highlight Suede	F00	●	

		2NG4	2SW4
		Northwood Maple Square	Northwood Oak Square
Linen W/Cocoa Highlight	F01	●	
Linen W/Cocoa Highlight Suede	F02	●	
Midnight	B69	●	
Midnight Suede	D42	●	
Midnight W/Onyx Highlight	F03	●	
Midnight W/Onyx Highlight Suede	F04	●	
Molasses	E58	❖	❖
Molasses Suede	E59	●	●
Moonshine	D98	●	
Moonshine Suede	E02	●	
Moonshine W/Cinder Highlight	F05	●	
Moonshine W/Cinder Highlight Suede	F06	●	
Moonshine W/Cocoa Highlight	F07	●	
Moonshine W/Cocoa Highlight Suede	F08	●	
Natural	NA	❖	❖
Natural Suede	D89	●	●
Onyx	A21	●	●
Onyx Suede	D44	●	●
Pebble Grey	B83	●	
Pebble Grey Suede	D45	●	
Pebble Grey W/Cocoa Highlight	F09	●	
Pebble Grey W/Cocoa Highlight Suede	F10	●	
Peppercorn	PC	❖	❖
Peppercorn Suede	D53	●	●
Praline	PR	❖	❖
Praline Suede	C78	●	●
Praline W/Onyx Glaze	F93	●	
Praline W/Onyx Glaze Suede	F94	●	
Rainfall	E82	●	
Rainfall Suede	E83	●	
Riverbed	F66	●	
Riverbed Suede	F67	●	
Rocky Mountain Sky	E61	●	
Rocky Mountain Sky Suede	E62	●	
Saddle	B81	❖	❖
Saddle Suede	C12	●	●
Slate	B64	❖	❖
Slate Suede	C72	●	●
Surfside	E65	●	
Surfside Suede	E66	●	
Translucent Driftwood	F72	●	●
Translucent Limestone	E52	●	●
Translucent Phantom	F70	●	●
Unfinished	UF	❖	❖
Warm White	F63	●	
Warm White Suede	F64	●	

# Piermont



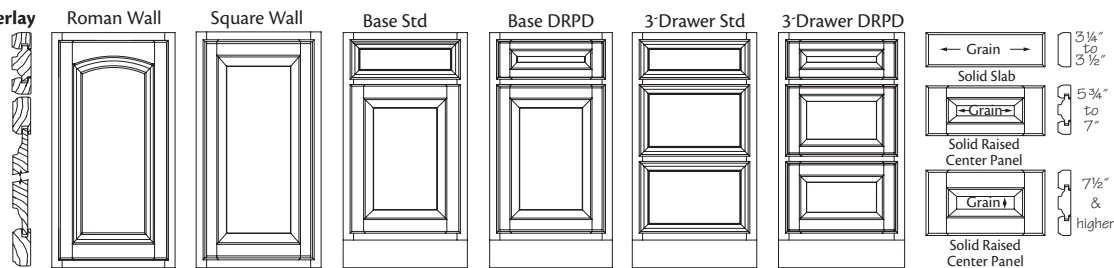
1/2" Overlay

<b>TWAC4</b>	Cherry Roman
<b>TWSC4</b>	Cherry Square
<b>TWAD4</b>	EverCore® Roman
<b>TWSD4</b>	EverCore® Square
<b>TWAH4</b>	Hickory Roman
<b>TWSH4</b>	Hickory Square
<b>TWAM4</b>	Maple Roman
<b>TWSM4</b>	Maple Square
<b>TWAO4</b>	Oak Roman
<b>TWSO4</b>	Oak Square
<b>TWSA4</b>	Rustic Alder Square

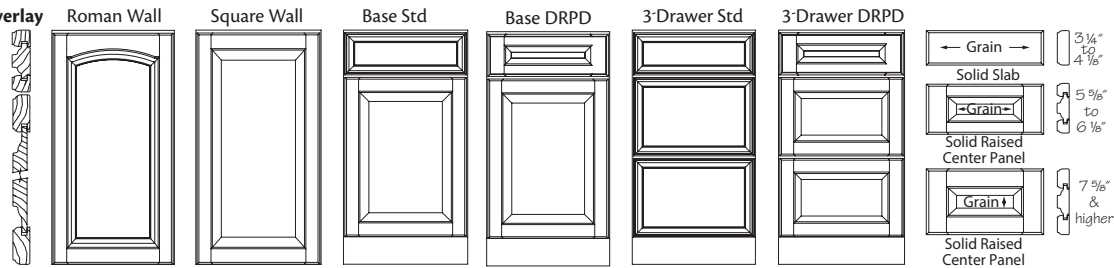
Full Overlay

<b>PWC4</b>	Cherry Roman
<b>MTC4</b>	Cherry Square
<b>PWD4</b>	EverCore® Roman
<b>MTD4</b>	EverCore® Square
<b>PWH4</b>	Hickory Roman
<b>MTH4</b>	Hickory Square
<b>PWM4</b>	Maple Roman
<b>MTM4</b>	Maple Square
<b>PWO4</b>	Oak Roman
<b>MTO4</b>	Oak Square
<b>MTA4</b>	Rustic Alder Square

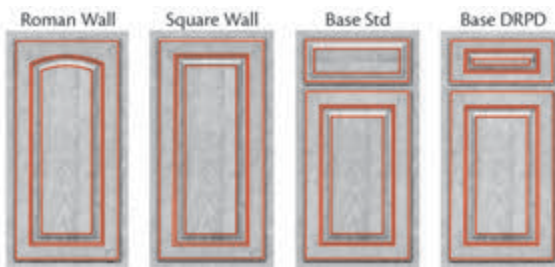
1/2" Overlay



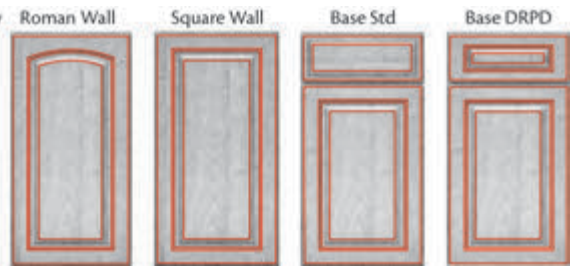
Full Overlay



1/2" Overlay Glaze and Highlight Guide



Full Overlay Glaze and Highlight Guide



- Solid wood door frame with 2 3/16" stiles and rails, except EverCore®, which will be mechanically compressed wood fiber
- Square design has solid raised panels on wall and base doors, except EverCore®, which will be mechanically compressed wood fiber
- Roman design has arched solid raised panels on wall doors only, except EverCore®, which will be mechanically compressed wood fiber; base doors will be square
- Grain direction does **not** apply to EverCore® doors
- Drawer front varies depending on height
- Deluxe Raised Panel Drawer (DRPD) front available
- Concealed hinge
- Hardware is required for full overlay
- **Note:** Rustic door styles feature knotty or character wood. It contains character marks such as heartwood, worm holes and mineral streaks of varying size. Components of these doors are chosen at random, with the appearance of each individual door varying widely from very rustic to relatively clear and unmarked

# Piermont continued

## Decorative Doors & Inserts Available

### Aluminum Frame Glass

- Fresco Brushed Aluminum ■
- Vetro Brushed Aluminum ■

### Camed Glass

- Chateau
- Classic Camed Insert ■
- Palisades
- Penrose
- Victorian
- Yorkshire

### Classic Glass

- Bistro
- Prepared for Glass
- Prism ●
- Shadow

### Etched Glass

- Crossroads
- Lisbon
- Modern Frosted Insert ■ ●
- Prairie
- Satina

### Layered Glass

- Antiquity
- Mirage
- Silk
- Wintersday

### Mullion Doors

- Castlegate ■ ★
- Evansville ■ ★
- Hewitt ■ ★
- Palladia ■ ▲
- Raleigh ■ ▲
- Showcase Mullion ★
- Traditional Mullion ★

### Specialty Inserts

- Chalkboard Insert
- Leather Insert

### Textured Glass

- Cascade
- Dolace
- Modern Textured Insert ■
- Moire
- Ravenna
- Styx
- Vauxhall

■ Only available in full overlay door styles

● **Not** available in Roman door styles

▲ Only available in Cherry & Maple door styles

★ **Not** available in EverCore® or Rustic door styles





# Piermont Finishes continued

		Piermont Cherry Roman - Full	Piermont Cherry Roman - Half	Piermont Cherry Square - Full	Piermont Cherry Square - Half	Piermont EverCore® Roman - Full	Piermont EverCore® Roman - Half	Piermont EverCore® Square - Full	Piermont EverCore® Square - Half	Piermont Hickory Roman - Full	Piermont Hickory Roman - Half	Piermont Hickory Square - Full	Piermont Hickory Square - Half	Piermont Maple Roman - Full	Piermont Maple Roman - Half	Piermont Maple Square - Full	Piermont Maple Square - Half	Piermont Oak Roman - Full	Piermont Oak Roman - Half	Piermont Oak Square - Full	Piermont Oak Square - Half	Piermont Rustic Alder Square - Full	Piermont Rustic Alder Square - Half
		PWC4	TWAC4	MTC4	TWSC4	PWD4	TWAD4	MTD4	TWSD4	PWH4	TWAH4	MTH4	TWSH4	PWM4	TWAM4	MTM4	TWSM4	PWO4	TWAO4	MTO4	TWSO4	MTA4	TWSA4
Rocky Mountain Sky Suede	E62					●	●	●	●					●	●	●	●						
Saddle	B81	❖	❖	❖	❖					❖	❖	❖	❖	❖	❖	❖	❖	❖	❖	❖	❖	❖	❖
Saddle Suede	C12	●	●	●	●					●	●	●	●	●	●	●	●	●	●	●	●	●	●
Slate	B64	❖	❖	❖	❖					❖	❖	❖	❖	❖	❖	❖	❖	❖	❖	❖	❖	❖	❖
Slate Suede	C72	●	●	●	●					●	●	●	●	●	●	●	●	●	●	●	●	●	●
Sunset	SU	❖	❖	❖	❖					❖	❖	❖	❖	❖	❖	❖	❖	❖	❖	❖	❖	❖	❖
Sunset Suede	D49	●	●	●	●					●	●	●	●	●	●	●	●	●	●	●	●	●	●
Surfside	E65					●	●	●	●					●	●	●	●						
Surfside Suede	E66					●	●	●	●					●	●	●	●						
Translucent Driftwood	F72									●	●	●	●	●	●	●	●	●	●	●	●	●	●
Translucent Limestone	E52									●	●	●	●	●	●	●	●	●	●	●	●	●	●
Translucent Phantom	F70									●	●	●	●	●	●	●	●	●	●	●	●	●	●
Unfinished	UF	❖	❖	❖	❖					❖	❖	❖	❖	❖	❖	❖	❖	❖	❖	❖	❖	❖	❖
Vintage Canvas	VC	●	●	●	●																		
Vintage Canvas Suede	E42	●	●	●	●																		
Vintage Cottage	F74	●	●	●	●																		
Vintage Cottage Suede	F75	●	●	●	●																		
Vintage Dove White	VD	●	●	●	●																		
Vintage Dove White Suede	E44	●	●	●	●																		
Vintage Greyloft	B67	●	●	●	●																		
Vintage Greyloft Suede	E45	●	●	●	●																		
Vintage Linen	D91	●	●	●	●																		
Vintage Linen Suede	E46	●	●	●	●																		
Vintage Midnight	B71	●	●	●	●																		
Vintage Midnight Suede	E47	●	●	●	●																		
Vintage Moonshine	D99	●	●	●	●																		
Vintage Moonshine Suede	E48	●	●	●	●																		
Vintage Onyx	VO	●	●	●	●																		
Vintage Onyx Suede	E50	●	●	●	●																		
Vintage Pebble Grey	B86	●	●	●	●																		
Vintage Pebble Grey Suede	E51	●	●	●	●																		
Vintage Warm White	F76	●	●	●	●																		
Vintage Warm White Suede	F77	●	●	●	●																		
Warm White	F63					●	●	●	●					●	●	●	●						
Warm White Suede	F64					●	●	●	●					●	●	●	●						

**Notes**

# Ralden

Full Overlay

**AH5C4**

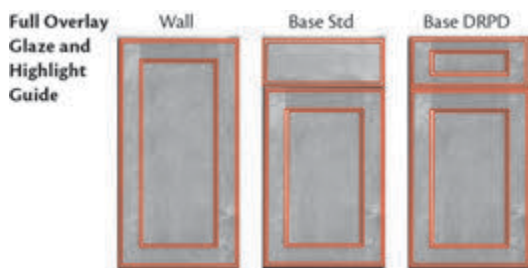
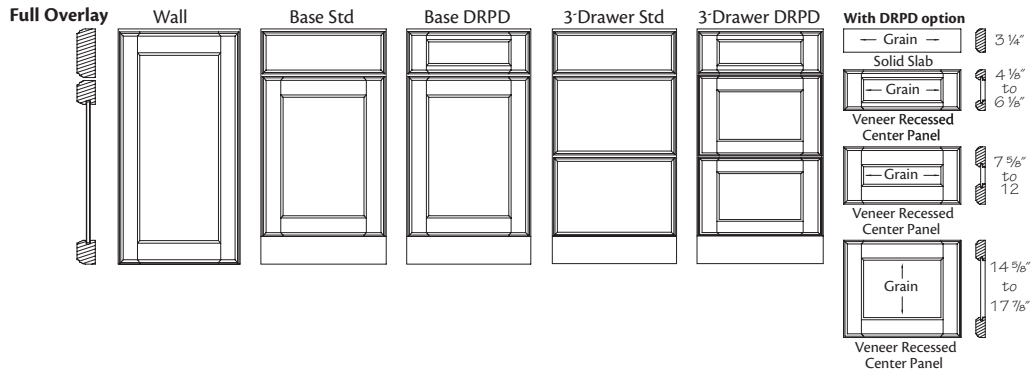
Cherry

**AH5M4**

Maple



Scan to view all Ralden doors



- Solid wood door frame with 3" stiles and rails
- Square veneer recessed panel on wall and base doors
- Slab drawer front
- Deluxe Recessed Panel Drawer (DRPD) front available
- Concealed hinge
- Hardware is required

## Decorative Doors & Inserts Available

### Aluminum Frame Glass

- Fresco Brushed Aluminum
- Vetro Brushed Aluminum

### Camed Glass

- Chateau
- Classic Camed Insert
- Palisades
- Penrose
- Victorian
- Yorkshire

### Classic Glass

- Bistro
- Prepared for Glass
- Prism
- Shadow

### Etched Glass

- Crossroads
- Lisbon
- Modern Frosted Insert
- Prairie
- Satina

### Layered Glass

- Antiquity
- Mirage
- Silk
- Wintersday

### Mullion Doors

- Ambry
- Castlegate
- Evansville
- Hewitt
- Showcase Mullion
- Traditional Mullion

### Specialty Inserts

- Chalkboard Insert
- Leather Insert

### Textured Glass

- Cascade
- Dolace
- Modern Textured Insert
- Moire
- Ravenna
- Styx
- Vauxhall



# Ralden Finishes

- ◆ Available as Standard
- Premium Upcharge

		Ralden Cherry	Ralden Maple
Autumn Blush	AB	◆	◆
Autumn Blush Suede	C21	●	●
Autumn Blush W/Onyx Glaze	F81	●	●
Autumn Blush W/Onyx Glaze Suede	F82	●	●
Baltic	D78	◆	◆
Baltic Suede	D80	●	●
Barley	E84	◆	◆
Barley Suede	E85	●	●
Bonsai	E69	●	●
Bonsai Suede	E70	●	●
Burmese	E67	●	●
Burmese Suede	E68	●	●
Cabernet	CT	◆	◆
Cabernet Suede	C80	●	●
Cabernet W/Onyx Glaze	F83	●	●
Cabernet W/Onyx Glaze Suede	F84	●	●
Camel	F68	●	●
Camel Suede	F69	●	●
Cannon Grey	D81	◆	◆
Cannon Grey Suede	D83	●	●
Canvas	CV	●	●
Canvas Suede	D37	●	●
Canvas W/Cinder Highlight	E87	●	●
Canvas W/Cinder Highlight Suede	E88	●	●
Canvas W/Cocoa Highlight Suede	E90	●	●
Canvas W/Cocoa Highlight	E89	●	●
Chestnut	CN	◆	◆
Chestnut Suede	C23	●	●
Chestnut W/Onyx Glaze	F85	●	●
Chestnut W/Onyx Glaze Suede	F86	●	●
Chocolate	CC	◆	◆
Chocolate Suede	D87	●	●
Chocolate W/Ebony Glaze	F87	●	●
Chocolate W/Ebony Glaze Suede	F88	●	●
Cinnamon	CA	◆	◆
Cinnamon Suede	C74	●	●
Cinnamon W/Onyx Glaze	F89	●	●
Cinnamon W/Onyx Glaze Suede	F90	●	●
Cognac	CO	◆	◆
Cognac Suede	D85	●	●
Cottage	E80	●	●
Cottage Suede	E81	●	●
Dove White	DW	●	●
Dove White Suede	D40	●	●
Dove White W/Cinder Highlight	E93	●	●
Dove White W/Cinder Highlight Suede	E94	●	●
Dove White W/Cocoa Highlight	E95	●	●
Dove White W/Cocoa Highlight Suede	E96	●	●
Ginger	C88	◆	◆
Ginger Suede	C19	●	●
Ginger W/Sable Glaze	F91	●	●
Ginger W/Sable Glaze Suede	F92	●	●
Greyloft	B65	●	●
Greyloft Suede	D41	●	●
Greyloft W/Sable Highlight	E97	●	●
Greyloft W/Sable Highlight Suede	E98	●	●
Honey Spice	HS	◆	◆
Honey Spice Suede	D88	●	●
Husk	B82	◆	◆
Husk Suede	C13	●	●
Kaffé	KA	◆	◆
Kaffé Suede	C27	●	●
Lagoon	E63	●	●
Lagoon Suede	E64	●	●
Linen	D90	●	●
Linen Suede	D93	●	●
Linen W/Cinder Highlight	E99	●	●

		Ralden Cherry	Ralden Maple
Linen W/Cinder Highlight Suede	F00	●	●
Linen W/Cocoa Highlight	F01	●	●
Linen W/Cocoa Highlight Suede	F02	●	●
Midnight	B69	●	●
Midnight Suede	D42	●	●
Midnight W/Onyx Highlight	F03	●	●
Midnight W/Onyx Highlight Suede	F04	●	●
Molasses	E58	◆	◆
Molasses Suede	E59	●	●
Moonshine	D98	●	●
Moonshine Suede	E02	●	●
Moonshine W/Cinder Highlight	F05	●	●
Moonshine W/Cinder Highlight Suede	F06	●	●
Moonshine W/Cocoa Highlight	F07	●	●
Moonshine W/Cocoa Highlight Suede	F08	●	●
Natural	NA	◆	◆
Natural Suede	D89	●	●
Onyx	A21	●	●
Onyx Suede	D44	●	●
Pebble Grey	B83	●	●
Pebble Grey Suede	D45	●	●
Pebble Grey W/Cocoa Highlight	F09	●	●
Pebble Grey W/Cocoa Highlight Suede	F10	●	●
Peppercorn	PC	◆	◆
Peppercorn Suede	D53	●	●
Praline	PR	◆	◆
Praline Suede	C78	●	●
Praline W/Onyx Glaze	F93	●	●
Praline W/Onyx Glaze Suede	F94	●	●
Rainfall	E82	●	●
Rainfall Suede	E83	●	●
Riverbed	F66	●	●
Riverbed Suede	F67	●	●
Rocky Mountain Sky	E61	●	●
Rocky Mountain Sky Suede	E62	●	●
Saddle	B81	◆	◆
Saddle Suede	C12	●	●
Slate	B64	◆	◆
Slate Suede	C72	●	●
Sunset	SU	◆	◆
Sunset Suede	D49	●	●
Surfside	E65	●	●
Surfside Suede	E66	●	●
Translucent Driftwood	F72	●	●
Translucent Limestone	E52	●	●
Translucent Phantom	F70	●	●
Unfinished	UF	◆	◆
Warm White	F63	●	●
Warm White Suede	F64	●	●

# Sarasota

Full Overlay

**AB0C4**

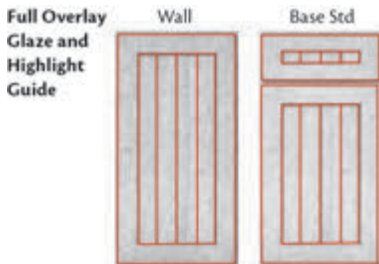
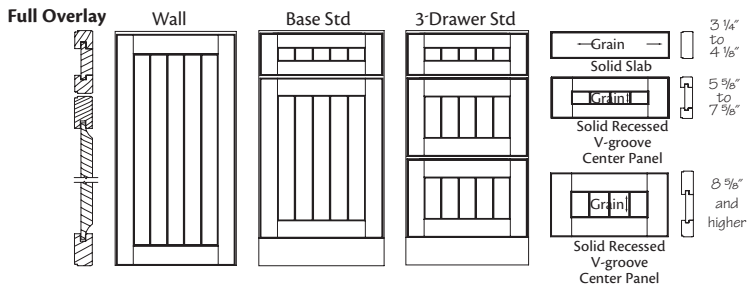
Cherry

**AB0M4**

Maple



Scan to view all Sarasota doors



- Solid wood door frame with 2 5/8" stiles and rails
- Square solid V-Groove recessed panel on wall and base doors
- Grooves are 2 1/2" on center
- Wood grain orientation on drawer fronts is vertical, unless noted
- Drawer front varies depending on height
- Concealed hinge
- Hardware is required

## Decorative Doors & Inserts Available

### Aluminum Frame Glass

- Fresco Brushed Aluminum
- Vetro Brushed Aluminum

### Camed Glass

- Chateau
- Classic Camed Insert
- Palisades
- Penrose
- Victorian
- Yorkshire

### Classic Glass

- Bistro
- Prepared for Glass
- Prism
- Shadow

### Etched Glass

- Crossroads
- Lisbon
- Modern Frosted Insert
- Prairie
- Satina

### Layered Glass

- Antiquity
- Mirage
- Silk
- Wintersday

### Mullion Doors

- Ambry
- Castlegate
- Evansville
- Hewitt
- Showcase Mullion
- Traditional Mullion

### Specialty Inserts

- Leather Insert

### Textured Glass

- Cascade
- Dolace
- Modern Textured Insert
- Moire
- Ravenna
- Styx
- Vauxhall

# Sarasota Finishes

❖ Available as Standard  
● Premium Upcharge

		Sarasota Cherry Square	Sarasota Maple Square	AB0C4	AB0M4
Autumn Blush	AB	❖			
Autumn Blush Suede	C21	●			
Autumn Blush W/Onyx Glaze	F81	●			
Autumn Blush W/Onyx Glaze Suede	F82	●			
Baltic	D78	❖			
Baltic Suede	D80	●			
Barley	E84	❖	❖		
Barley Suede	E85	●	●		
Bonsai	E69	●			
Bonsai Suede	E70	●			
Burmese	E67	●			
Burmese Suede	E68	●			
Cabernet	CT	❖	❖		
Cabernet Suede	C80	●	●		
Cabernet W/Onyx Glaze	F83	●			
Cabernet W/Onyx Glaze Suede	F84	●			
Camel	F68	●			
Camel Suede	F69	●			
Cannon Grey	D81	❖	❖		
Cannon Grey Suede	D83	●	●		
Canvas	CV	●			
Canvas Suede	D37	●			
Canvas W/Cinder Highlight	E87	●			
Canvas W/Cinder Highlight Suede	E88	●			
Canvas W/Cocoa Highlight Suede	E90	●			
Canvas W/Cocoa Highlight	E89	●			
Chestnut	CN	❖			
Chestnut Suede	C23	●			
Chestnut W/Onyx Glaze	F85	●			
Chestnut W/Onyx Glaze Suede	F86	●			
Chocolate	CC	❖	❖		
Chocolate Suede	D87	●	●		
Chocolate W/Ebony Glaze	F87	●			
Chocolate W/Ebony Glaze Suede	F88	●			
Cinnamon	CA	❖	❖		
Cinnamon Suede	C74	●	●		
Cinnamon W/Onyx Glaze	F89	●	●		
Cinnamon W/Onyx Glaze Suede	F90	●	●		
Cognac	CO	❖	❖		
Cognac Suede	D85	●	●		
Cottage	E80	●			
Cottage Suede	E81	●			
Distressed Autumn Blush	C22	●			
Distressed Baltic	D79	●			
Distressed Barley	E86	●	●		
Distressed Cabernet	C87	●	●		
Distressed Cannon Grey	D82	●	●		
Distressed Chestnut	C24	●			
Distressed Chocolate	D86	●	●		
Distressed Cinnamon	C75	●	●		
Distressed Cognac	D84	●	●		
Distressed Ginger	C20	●	●		
Distressed Husk	C15	●	●		
Distressed Kaffé	C28	●	●		
Distressed Molasses	E60	●	●		
Distressed Peppercorn	C86	●	●		
Distressed Praline	C79	●	●		
Distressed Saddle	C14	●	●		
Distressed Slate	C73	●	●		
Distressed Sunset	D50	●	●		
Distressed Translucent Driftwood	F73	●			
Distressed Translucent Limestone	E53	●			
Distressed Translucent Phantom	F71	●			
Dove White	DW	●			
Dove White Suede	D40	●			
Dove White W/Cinder Highlight	E93	●			
Dove White W/Cinder Highlight Suede	E94	●			
Dove White W/Cocoa Highlight	E95	●			
Dove White W/Cocoa Highlight Suede	E96	●			
Ginger	C88	❖	❖		
Ginger Suede	C19	●	●		
Ginger W/Sable Glaze	F91	●	●		
Ginger W/Sable Glaze Suede	F92	●	●		
Greyloft	B65	●			
Greyloft Suede	D41	●			
Greyloft W/Sable Highlight	E97	●			
Greyloft W/Sable Highlight Suede	E98	●			
Honey Spice	HS	❖	❖		
Honey Spice Suede	D88	●	●		
Husk	B82	❖			
Husk Suede	C13	●			
Kaffé	KA	❖	❖		
Kaffé Suede	C27	●	●		
Lagoon	E63	●			
Lagoon Suede	E64	●			
Linen	D90	●			
Linen Suede	D93	●			
Linen W/Cinder Highlight	E99	●			
Linen W/Cinder Highlight Suede	F00	●			
Linen W/Cocoa Highlight	F01	●			
Linen W/Cocoa Highlight Suede	F02	●			
Midnight	B69	●			
Midnight Suede	D42	●			
Midnight W/Onyx Highlight	F03	●			
Midnight W/Onyx Highlight Suede	F04	●			
Molasses	E58	❖	❖		
Molasses Suede	E59	●	●		
Moonshine	D98	●			
Moonshine Suede	E02	●			
Moonshine W/Cinder Highlight	F05	●			
Moonshine W/Cinder Highlight Suede	F06	●			
Moonshine W/Cocoa Highlight	F07	●			
Moonshine W/Cocoa Highlight Suede	F08	●			
Natural	NA	❖	❖		
Natural Suede	D89	●	●		
Onyx	A21	●			
Onyx Suede	D44	●			
Pebble Grey	B83	●			
Pebble Grey Suede	D45	●			
Pebble Grey W/Cocoa Highlight	F09	●			
Pebble Grey W/Cocoa Highlight Suede	F10	●			
Peppercorn	PC	❖	❖		
Peppercorn Suede	D53	●	●		
Praline	PR	❖	❖		
Praline Suede	C78	●	●		
Praline W/Onyx Glaze	F93	●			
Praline W/Onyx Glaze Suede	F94	●			
Rainfall	E82	●			
Rainfall Suede	E83	●			
Riverbed	F66	●			
Riverbed Suede	F67	●			
Rocky Mountain Sky	E61	●			
Rocky Mountain Sky Suede	E62	●			
Saddle	B81	❖	❖		
Saddle Suede	C12	●	●		
Slate	B64	❖	❖		
Slate Suede	C72	●	●		
Sunset	SU	❖			
Sunset Suede	D49	●			
Surfside	E65	●			
Surfside Suede	E66	●			
Translucent Driftwood	F72	●			
Translucent Limestone	E52	●			
Translucent Phantom	F70	●			
Unfinished	UF	❖	❖		
Vintage Canvas	VC	●			
Vintage Canvas Suede	E42	●			
Vintage Cottage	F74	●			
Vintage Cottage Suede	F75	●			
Vintage Dove White	VD	●			
Vintage Dove White Suede	E44	●			
Vintage Greyloft	B67	●			
Vintage Greyloft Suede	E45	●			
Vintage Linen	D91	●			
Vintage Linen Suede	E46	●			
Vintage Midnight	B71	●			
Vintage Midnight Suede	E47	●			
Vintage Moonshine	D99	●			
Vintage Moonshine Suede	E48	●			
Vintage Onyx	VO	●			
Vintage Onyx Suede	E50	●			
Vintage Pebble Grey	B86	●			
Vintage Pebble Grey Suede	E51	●			
Vintage Warm White	F76	●			
Vintage Warm White Suede	F77	●			
Warm White	F63	●			
Warm White Suede	F64	●			

# Somersworth

Full Overlay

PVC4

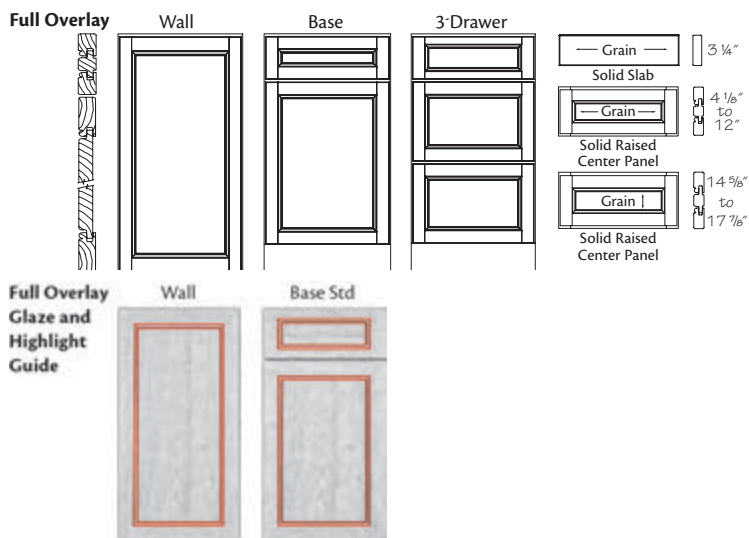
Cherry

PVM4

Maple



Scan to view all Somersworth doors



- Solid wood beaded door frame with 2 3/16" stiles and rails
- Square solid raised panel on wall and base doors
- Five-piece raised panel beaded drawer front
- Concealed hinge
- Hardware is required

## Decorative Doors & Inserts Available

### Aluminum Frame Glass

- Fresco Brushed Aluminum
- Vetro Brushed Aluminum

### Camed Glass

- Chateau
- Classic Camed Insert
- Palisades
- Penrose
- Victorian
- Yorkshire

### Classic Glass

- Bistro
- Prepared for Glass
- Prism
- Shadow

### Etched Glass

- Crossroads
- Lisbon
- Modern Frosted Insert
- Prairie
- Satina

### Layered Glass

- Antiquity
- Mirage
- Silk
- Wintersday

### Mullion Doors

- Ambry
- Castlegate
- Evansville
- Hewitt
- Palladia
- Raleigh
- Showcase Mullion
- Traditional Mullion

### Specialty Inserts

- Chalkboard Insert
- Leather Insert

### Textured Glass

- Cascade
- Dolace
- Modern Textured Insert
- Moire
- Ravenna
- Styx
- Vauxhall

# Somersworth Finishes

- ❖ Available as Standard
- Premium Upcharge

			Somersworth Cherry	Somersworth Maple
			PVC4	PVM4
Autumn Blush	AB	❖		
Autumn Blush Suede	C21	●		
Autumn Blush W/Onyx Glaze	F81	●		
Autumn Blush W/Onyx Glaze Suede	F82	●		
Baltic	D78	❖		
Baltic Suede	D80	●		
Barley	E84	❖	❖	
Barley Suede	E85	●	●	
Cabernet	CT	❖	❖	
Cabernet Suede	C80	●	●	
Cabernet W/Onyx Glaze	F83	●		
Cabernet W/Onyx Glaze Suede	F84	●		
Cannon Grey	D81	❖	❖	
Cannon Grey Suede	D83	●	●	
Canvas W/Cinder Highlight	E87	●		
Canvas W/Cinder Highlight Suede	E88	●		
Canvas W/Cocoa Highlight Suede	E90	●		
Canvas W/Cocoa Highlight	E89	●		
Chestnut	CN	❖		
Chestnut Suede	C23	●		
Chestnut W/Onyx Glaze	F85	●		
Chestnut W/Onyx Glaze Suede	F86	●		
Chocolate	CC	❖	❖	
Chocolate Suede	D87	●	●	
Chocolate W/Ebony Glaze	F87	●		
Chocolate W/Ebony Glaze Suede	F88	●		
Cinnamon	CA	❖	❖	
Cinnamon Suede	C74	●	●	
Cinnamon W/Onyx Glaze	F89	●	●	
Cinnamon W/Onyx Glaze Suede	F90	●	●	
Cognac	CO	❖	❖	
Cognac Suede	D85	●	●	
Dove White W/Cinder Highlight	E93	●		
Dove White W/Cinder Highlight Suede	E94	●		
Dove White W/Cocoa Highlight	E95	●		
Dove White W/Cocoa Highlight Suede	E96	●		
Ginger	C88	❖	❖	
Ginger Suede	C19	●	●	
Ginger W/Sable Glaze	F91	●	●	
Ginger W/Sable Glaze Suede	F92	●	●	
Greyloft W/Sable Highlight	E97	●		
Greyloft W/Sable Highlight Suede	E98	●		
Honey Spice	HS	❖	❖	
Honey Spice Suede	D88	●	●	
Husk	B82	❖		
Husk Suede	C13	●		
Kaffé	KA	❖	❖	
Kaffé Suede	C27	●	●	
Linen W/Cinder Highlight	E99	●		
Linen W/Cinder Highlight Suede	F00	●		
Linen W/Cocoa Highlight	F01	●		
Linen W/Cocoa Highlight Suede	F02	●		
Midnight W/Onyx Highlight	F03	●		
Midnight W/Onyx Highlight Suede	F04	●		
Molasses	E58	❖	❖	
Molasses Suede	E59	●	●	
Moonshine W/Cinder Highlight	F05	●		
Moonshine W/Cinder Highlight Suede	F06	●		
Moonshine W/Cocoa Highlight	F07	●		
Moonshine W/Cocoa Highlight Suede	F08	●		
Natural	NA	❖	❖	
Natural Suede	D89	●	●	
Pebble Grey W/Cocoa Highlight	F09	●		
Pebble Grey W/Cocoa Highlight Suede	F10	●		
Peppercorn	PC	❖	❖	
Peppercorn Suede	D53	●	●	

			Somersworth Cherry	Somersworth Maple
			PVC4	PVM4
Praline	PR	❖	❖	
Praline Suede	C78	●	●	
Praline W/Onyx Glaze	F93	●		
Praline W/Onyx Glaze Suede	F94	●		
Saddle	B81	❖	❖	
Saddle Suede	C12	●	●	
Slate	B64	❖	❖	
Slate Suede	C72	●	●	
Sunset	SU	❖		
Sunset Suede	D49	●		
Translucent Driftwood	F72	●		
Translucent Limestone	E52	●		
Translucent Phantom	F70	●		
Unfinished	UF	❖	❖	

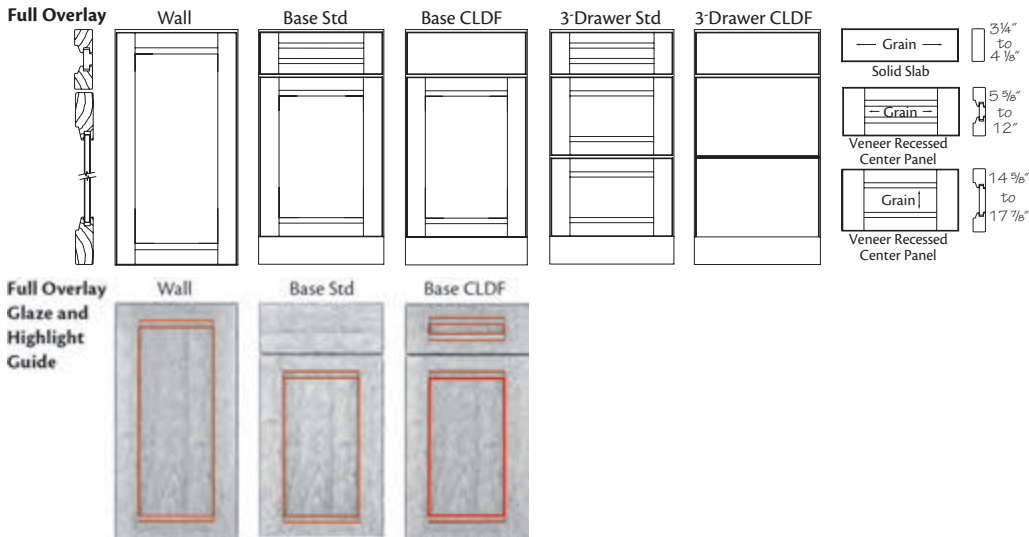
# Sonora

Full Overlay

<b>SNC4</b>	Cherry
<b>AC8D4</b>	EverCore®
<b>AC8H4</b>	Hickory
<b>SNM4</b>	Maple
<b>AC8O4</b>	Oak
<b>SNA4</b>	Rustic Alder



Scan to view all Sonora doors



- Solid wood door frame with 2 3/4" stiles and rails, except EverCore®, which will be mechanically compressed wood fiber
- Square veneer recessed panels on wall and base doors, except EverCore®, which will be mechanically compressed wood fiber
- Drawer front varies depending on height
- Classic Drawer Front (CLDF) option available
- Concealed hinge
- Hardware is required
- **Note:** When CLDF option is applied, all drawer fronts will be slab
- **Note:** Rustic door styles feature knotty or character wood. It contains character marks such as heartwood, worm holes and mineral streaks of varying size. Components of these doors are chosen at random, with the appearance of each individual door varying widely from very rustic to relatively clear and unmarked

## Decorative Doors & Inserts Available

### Aluminum Frame Glass

- Fresco Brushed Aluminum
- Vetro Brushed Aluminum

### Camed Glass

- Chateau
- Classic Camed Insert
- Palisades
- Penrose
- Victorian
- Yorkshire

### Classic Glass

- Bistro
- Prepared for Glass
- Prism
- Shadow

### Etched Glass

- Crossroads
- Lisbon
- Modern Frosted Insert
- Prairie
- Satina

### Layered Glass

- Antiquity
- Mirage
- Silk
- Wintersday

### Mullion Doors

- Ambry ★
- Castlegate ★
- Evansville ★
- Hewitt ★
- Showcase Mullion ★
- Traditional Mullion ★
- Vista Mullion ★

### Specialty Inserts

- Chalkboard Insert
- Leather Insert

### Textured Glass

- Cascade
- Dolace
- Modern Textured Insert
- Moire
- Ravenna
- Styx
- Vauxhall

★ **Not** available in Rustic or Evercore® door styles

# Sonora Finishes

- ◆ Available as Standard
- Premium Upcharge

		SNC4	AC8D4	AC8H4	SNM4	AC8O4	SNA4
		Sonora Cherry	Sonora EverCore®	Sonora Hickory	Sonora Maple	Sonora Oak	Sonora Rustic Alder
Autumn Blush	AB	◆				◆	◆
Autumn Blush Suede	C21	●				●	●
Autumn Blush W/Onyx Glaze	F81	●				●	●
Autumn Blush W/Onyx Glaze Suede	F82	●				●	●
Baltic	D78	◆				◆	◆
Baltic Suede	D80	●				●	●
Barley	E84	◆		◆	◆	◆	◆
Barley Suede	E85	●		●	●	●	●
Bonsai	E69	●			●		
Bonsai Suede	E70	●			●		
Burmese	E67	●			●		
Burmese Suede	E68	●			●		
Cabernet	CT	◆			◆		◆
Cabernet Suede	C80	●			●		●
Cabernet W/Onyx Glaze	F83	●				●	
Cabernet W/Onyx Glaze Suede	F84	●				●	
Camel	F68	●			●		
Camel Suede	F69	●			●		
Cannon Grey	D81	◆			◆	◆	◆
Cannon Grey Suede	D83	●			●	●	●
Canvas	CV	●			●		
Canvas Suede	D37	●			●		
Canvas W/Cinder Highlight	E87				●		
Canvas W/Cinder Highlight Suede	E88				●		
Canvas W/Cocoa Highlight Suede	E90				●		
Canvas W/Cocoa Highlight	E89				●		
Chestnut	CN	◆					◆
Chestnut Suede	C23				●		
Chestnut W/Onyx Glaze	F85				●		
Chestnut W/Onyx Glaze Suede	F86				●		
Chocolate	CC	◆			◆		◆
Chocolate Suede	D87	●			●		●
Chocolate W/Ebony Glaze	F87	●				●	
Chocolate W/Ebony Glaze Suede	F88	●				●	
Cinnamon	CA	◆			◆		◆
Cinnamon Suede	C74	●			●		●
Cinnamon W/Onyx Glaze	F89	●			●		●
Cinnamon W/Onyx Glaze Suede	F90	●			●		●
Cognac	CO	◆			◆	◆	◆
Cognac Suede	D85	●			●	●	●
Cottage	E80	●			●		
Cottage Suede	E81	●			●		
Dove White	DW	●			●		
Dove White Suede	D40	●			●		
Dove White W/Cinder Highlight	E93				●		
Dove White W/Cinder Highlight Suede	E94				●		
Dove White W/Cocoa Highlight	E95				●		
Dove White W/Cocoa Highlight Suede	E96				●		
Fawn	FN					◆	
Fawn Suede	D51					●	
Ginger	C88	◆			◆	◆	◆
Ginger Suede	C19	●			●	●	●
Ginger W/Sable Glaze	F91	●			●	●	●
Ginger W/Sable Glaze Suede	F92	●			●	●	●
Greyloft	B65	●			●		
Greyloft Suede	D41	●			●		
Greyloft W/Sable Highlight	E97				●		
Greyloft W/Sable Highlight Suede	E98				●		
Honey Spice	HS	◆			◆	◆	◆
Honey Spice Suede	D88	●			●	●	●
Husk	B82	◆			◆	◆	◆
Husk Suede	C13	●			●		●
Kaffé	KA	◆			◆	◆	◆
Kaffé Suede	C27	●			●	●	●
Lagoon	E63	●			●		
Lagoon Suede	E64	●			●		

		SNC4	AC8D4	AC8H4	SNM4	AC8O4	SNA4
		Sonora Cherry	Sonora EverCore®	Sonora Hickory	Sonora Maple	Sonora Oak	Sonora Rustic Alder
Linen	D90	●			●		
Linen Suede	D93	●			●		
Linen W/Cinder Highlight	E99				●		
Linen W/Cinder Highlight Suede	F00				●		
Linen W/Cocoa Highlight	F01				●		
Linen W/Cocoa Highlight Suede	F02				●		
Midnight	B69	●			●		
Midnight Suede	D42	●			●		
Midnight W/Onyx Highlight	F03				●		
Midnight W/Onyx Highlight Suede	F04				●		
Molasses	E58	◆			◆	◆	◆
Molasses Suede	E59	●			●	●	●
Moonshine	D98	●			●		
Moonshine Suede	E02	●			●		
Moonshine W/Cinder Highlight	F05				●		
Moonshine W/Cinder Highlight Suede	F06				●		
Moonshine W/Cocoa Highlight	F07				●		
Moonshine W/Cocoa Highlight Suede	F08				●		
Natural	NA	◆			◆	◆	◆
Natural Suede	D89	●			●	●	●
Onyx	A21	●			●	●	
Onyx Suede	D44	●			●	●	
Pebble Grey	B83	●			●		
Pebble Grey Suede	D45	●			●		
Pebble Grey W/Cocoa Highlight	F09				●		
Pebble Grey W/Cocoa Highlight Suede	F10				●		
Peppercorn	PC	◆			◆	◆	◆
Peppercorn Suede	D53	●			●	●	●
Praline	PR	◆			◆	◆	◆
Praline Suede	C78	●			●	●	●
Praline W/Onyx Glaze	F93				●	●	
Praline W/Onyx Glaze Suede	F94				●	●	
Rainfall	E82	●			●		
Rainfall Suede	E83	●			●		
Riverbed	F66	●			●		
Riverbed Suede	F67	●			●		
Rocky Mountain Sky	E61	●			●		
Rocky Mountain Sky Suede	E62	●			●		
Saddle	B81	◆			◆	◆	◆
Saddle Suede	C12	●			●	●	●
Slate	B64	◆			◆	◆	◆
Slate Suede	C72	●			●	●	●
Sunset	SU	◆			◆		◆
Sunset Suede	D49	●			●		●
Surfside	E65	●			●		
Surfside Suede	E66	●			●		
Translucent Driftwood	F72				●	●	●
Translucent Limestone	E52				●	●	●
Translucent Phantom	F70				●	●	●
Unfinished	UF	◆			◆	◆	◆
Warm White	F63	●			●		
Warm White Suede	F64	●			●		

# Standish

Full Overlay

**AH6C4**

Cherry

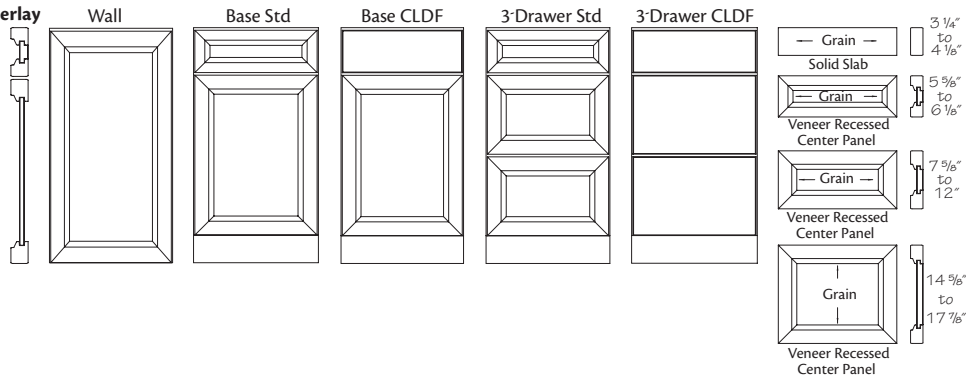
**AH6M4**

Maple

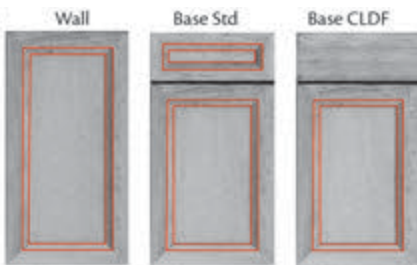


Scan to view all Standish doors

Full Overlay



Full Overlay  
Glaze and  
Highlight  
Guide



- Solid wood mitered door frame with 2 3/4" stiles and rails
- Square veneer recessed panel on wall and base doors
- Drawer front varies depending on height
- Classic Drawer Front (CLDF) option available
- Concealed hinge
- Hardware is required
- **Note:** When CLDF option is applied, all drawer fronts will be slab

## Decorative Doors & Inserts Available

### Aluminum Frame Glass

- Fresco Brushed Aluminum
- Vetro Brushed Aluminum

### Camed Glass

- Chateau
- Classic Camed Insert
- Palisades
- Penrose
- Victorian
- Yorkshire

### Classic Glass

- Bistro
- Prepared for Glass
- Prism
- Shadow

### Etched Glass

- Crossroads
- Lisbon
- Modern Frosted Insert
- Prairie
- Satina

### Layered Glass

- Antiquity
- Mirage
- Silk
- Wintersday

### Mullion Doors

- Ambry
- Castlegate
- Evansville
- Hewitt
- Showcase Mullion
- Traditional Mullion

### Specialty Inserts

- Chalkboard Insert
- Leather Insert

### Textured Glass

- Cascade
- Dolace
- Modern Textured Insert
- Moire
- Ravenna
- Styx
- Vauxhall



# Standish Finishes

- ❖ Available as Standard
- Premium Upcharge

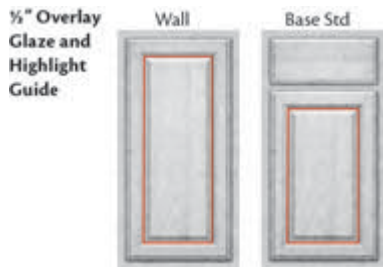
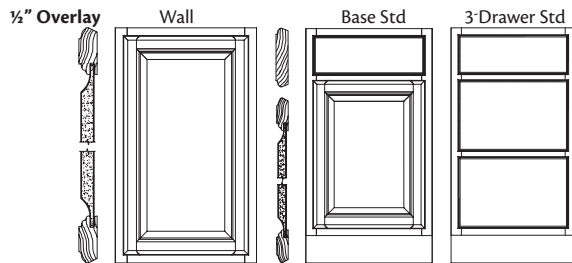
		Standish Cherry	Standish Maple
Autumn Blush	AB	❖	
Autumn Blush Suede	C21	●	
Autumn Blush W/Onyx Glaze	F81	●	
Autumn Blush W/Onyx Glaze Suede	F82	●	
Baltic	D78	❖	
Baltic Suede	D80	●	
Barley	E84	❖	❖
Barley Suede	E85	●	●
Bonsai	E69		●
Bonsai Suede	E70		●
Burmese	E67		●
Burmese Suede	E68		●
Cabernet	CT	❖	❖
Cabernet Suede	C80	●	●
Cabernet W/Onyx Glaze	F83	●	
Cabernet W/Onyx Glaze Suede	F84	●	
Camel	F68		●
Camel Suede	F69		●
Cannon Grey	D81	❖	❖
Cannon Grey Suede	D83	●	●
Canvas	CV		●
Canvas Suede	D37		●
Canvas W/Cinder Highlight	E87		●
Canvas W/Cinder Highlight Suede	E88		●
Canvas W/Cocoa Highlight Suede	E90		●
Canvas W/Cocoa Highlight	E89		●
Chestnut	CN		❖
Chestnut Suede	C23		●
Chestnut W/Onyx Glaze	F85		●
Chestnut W/Onyx Glaze Suede	F86		●
Chocolate	CC	❖	❖
Chocolate Suede	D87	●	●
Chocolate W/Ebony Glaze	F87	●	
Chocolate W/Ebony Glaze Suede	F88	●	
Cinnamon	CA	❖	❖
Cinnamon Suede	C74	●	●
Cinnamon W/Onyx Glaze	F89	●	●
Cinnamon W/Onyx Glaze Suede	F90	●	●
Cognac	CO	❖	❖
Cognac Suede	D85	●	●
Cottage	E80		●
Cottage Suede	E81		●
Dove White	DW		●
Dove White Suede	D40		●
Dove White W/Cinder Highlight	E93		●
Dove White W/Cinder Highlight Suede	E94		●
Dove White W/Cocoa Highlight	E95		●
Dove White W/Cocoa Highlight Suede	E96		●
Ginger	C88	❖	❖
Ginger Suede	C19	●	●
Ginger W/Sable Glaze	F91	●	●
Ginger W/Sable Glaze Suede	F92	●	●
Greyloft	B65		●
Greyloft Suede	D41		●
Greyloft W/Sable Highlight	E97		●
Greyloft W/Sable Highlight Suede	E98		●
Honey Spice	HS	❖	❖
Honey Spice Suede	D88	●	●
Husk	B82	❖	
Husk Suede	C13	●	
Kaffé	KA	❖	❖
Kaffé Suede	C27	●	●
Lagoon	E63		●
Lagoon Suede	E64		●
Linen	D90		●

		Standish Cherry	Standish Maple
Linen Suede	D93		●
Linen W/Cinder Highlight	E99		●
Linen W/Cinder Highlight Suede	F00		●
Linen W/Cocoa Highlight	F01		●
Linen W/Cocoa Highlight Suede	F02		●
Midnight	B69		●
Midnight Suede	D42		●
Midnight W/Onyx Highlight	F03		●
Midnight W/Onyx Highlight Suede	F04		●
Molasses	E58	❖	❖
Molasses Suede	E59	●	●
Moonshine	D98		●
Moonshine Suede	E02		●
Moonshine W/Cinder Highlight	F05		●
Moonshine W/Cinder Highlight Suede	F06		●
Moonshine W/Cocoa Highlight	F07		●
Moonshine W/Cocoa Highlight Suede	F08		●
Natural	NA	❖	❖
Natural Suede	D89	●	●
Onyx	A21		●
Onyx Suede	D44		●
Pebble Grey	B83		●
Pebble Grey Suede	D45		●
Pebble Grey W/Cocoa Highlight	F09		●
Pebble Grey W/Cocoa Highlight Suede	F10		●
Peppercorn	PC	❖	❖
Peppercorn Suede	D53	●	●
Praline	PR	❖	❖
Praline Suede	C78	●	●
Praline W/Onyx Glaze	F93		●
Praline W/Onyx Glaze Suede	F94		●
Rainfall	E82		●
Rainfall Suede	E83		●
Riverbed	F66		●
Riverbed Suede	F67		●
Rocky Mountain Sky	E61		●
Rocky Mountain Sky Suede	E62		●
Saddle	B81	❖	❖
Saddle Suede	C12	●	●
Slate	B64	❖	❖
Slate Suede	C72	●	●
Sunset	SU	❖	❖
Sunset Suede	D49	●	
Surfside	E65		●
Surfside Suede	E66		●
Translucent Driftwood	F72		●
Translucent Limestone	E52		●
Translucent Phantom	F70		●
Unfinished	UF	❖	❖
Warm White	F63		●
Warm White Suede	F64		●

# Stratford

1/2" Overlay

- 2WT4** Hickory Square
- 2GV4** Maple Square
- 2BN4** Oak Square



- Solid wood door frame with 2 3/16" stiles and rails
- Square veneer raised panel on wall and base doors
- Reverse bevel lip
- Slab drawer front
- Concealed or optional knife hinge
- Hardware is optional

## Decorative Doors & Inserts Available

### Camed Glass

- Chateau
- Palisades
- Penrose
- Victorian
- Yorkshire

### Classic Glass

- Bistro
- Prepared for Glass
- Prism
- Shadow

### Etched Glass

- Crossroads
- Lisbon
- Prairie
- Satina

### Layered Glass

- Antiquity
- Mirage
- Silk
- Wintersday

### Mullion Doors

- Showcase Mullion
- Traditional Mullion

### Specialty Inserts

- Chalkboard Insert
- Leather Insert

### Textured Glass

- Cascade
- Dolace
- Moire
- Ravenna
- Styx
- Vauxhall

# Stratford Finishes

- ◆ Available as Standard
- Premium Upcharge

		2WT4	2GV4	2BN4
	Stratford Hickory Square			
	Stratford Maple Square			
	Stratford Oak Square			
Autumn Blush	AB	◆		
Autumn Blush Suede	C21			●
Autumn Blush W/Onyx Glaze	F81			●
Autumn Blush W/Onyx Glaze Suede	F82			●
Baltic	D78	◆		
Baltic Suede	D80			●
Barley	E84	◆	◆	◆
Barley Suede	E85	●	●	●
Bonsai	E69			●
Bonsai Suede	E70			●
Burmese	E67			●
Burmese Suede	E68			●
Cabernet	CT	◆		
Cabernet Suede	C80			●
Camel	F68			●
Camel Suede	F69			●
Cannon Grey	D81	◆	◆	
Cannon Grey Suede	D83			●
Canvas	CV			●
Canvas Suede	D37			●
Canvas W/Cinder Highlight	E87			●
Canvas W/Cinder Highlight Suede	E88			●
Canvas W/Cocoa Highlight Suede	E90			●
Canvas W/Cocoa Highlight	E89			●
Chestnut	CN	◆		
Chestnut Suede	C23			●
Chestnut W/Onyx Glaze	F85			●
Chestnut W/Onyx Glaze Suede	F86			●
Chocolate	CC	◆		
Chocolate Suede	D87			●
Cinnamon	CA	◆		
Cinnamon Suede	C74			●
Cinnamon W/Onyx Glaze	F89			●
Cinnamon W/Onyx Glaze Suede	F90			●
Cognac	CO	◆	◆	◆
Cognac Suede	D85	●	●	●
Cottage	E80			●
Cottage Suede	E81			●
Dove White	DW			●
Dove White Suede	D40			●
Dove White W/Cinder Highlight	E93			●
Dove White W/Cinder Highlight Suede	E94			●
Dove White W/Cocoa Highlight	E95			●
Dove White W/Cocoa Highlight Suede	E96			●
Fawn	FN			◆
Fawn Suede	D51			●
Ginger	C88	◆	◆	◆
Ginger Suede	C19	●	●	●
Ginger W/Sable Glaze	F91	●	●	●
Ginger W/Sable Glaze Suede	F92	●	●	●
Greyloft	B65			●
Greyloft Suede	D41			●
Greyloft W/Sable Highlight	E97			●
Greyloft W/Sable Highlight Suede	E98			●
Honey Spice	HS	◆	◆	◆
Honey Spice Suede	D88	●	●	●
Husk	B82	◆		◆
Husk Suede	C13			●
Kaffé	KA	◆	◆	◆
Kaffé Suede	C27	●	●	●
Lagoon	E63			●
Lagoon Suede	E64			●
Linen	D90			●
Linen Suede	D93			●
Linen W/Cinder Highlight	E99			●
Linen W/Cinder Highlight Suede	F00			●

		2WT4	2GV4	2BN4
	Stratford Hickory Square			
	Stratford Maple Square			
	Stratford Oak Square			
Linen W/Cocoa Highlight	F01	●		
Linen W/Cocoa Highlight Suede	F02			●
Midnight	B69			●
Midnight Suede	D42			●
Midnight W/Onyx Highlight	F03			●
Midnight W/Onyx Highlight Suede	F04			●
Molasses	E58	◆	◆	◆
Molasses Suede	E59	●	●	●
Moonshine	D98			●
Moonshine Suede	E02			●
Moonshine W/Cinder Highlight	F05			●
Moonshine W/Cinder Highlight Suede	F06			●
Moonshine W/Cocoa Highlight	F07			●
Moonshine W/Cocoa Highlight Suede	F08			●
Natural	NA	◆	◆	◆
Natural Suede	D89	●	●	●
Onyx	A21			●
Onyx Suede	D44			●
Pebble Grey	B83			●
Pebble Grey Suede	D45			●
Pebble Grey W/Cocoa Highlight	F09			●
Pebble Grey W/Cocoa Highlight Suede	F10			●
Peppercorn	PC			◆
Peppercorn Suede	D53			●
Praline	PR	◆	◆	◆
Praline Suede	C78	●	●	●
Praline W/Onyx Glaze	F93	●	●	●
Praline W/Onyx Glaze Suede	F94	●	●	●
Rainfall	E82			●
Rainfall Suede	E83			●
Riverbed	F66			●
Riverbed Suede	F67			●
Rocky Mountain Sky	E61			●
Rocky Mountain Sky Suede	E62			●
Saddle	B81	◆	◆	◆
Saddle Suede	C12	●	●	●
Slate	B64	◆	◆	◆
Slate Suede	C72	●	●	●
Sunset	SU			●
Sunset Suede	D49	◆		
Surfside	E65			●
Surfside Suede	E66			●
Translucent Driftwood	F72	●	●	●
Translucent Limestone	E52	●	●	●
Translucent Phantom	F70	●	●	●
Unfinished	UF	◆	◆	◆
Warm White	F63			●
Warm White Suede	F64			●

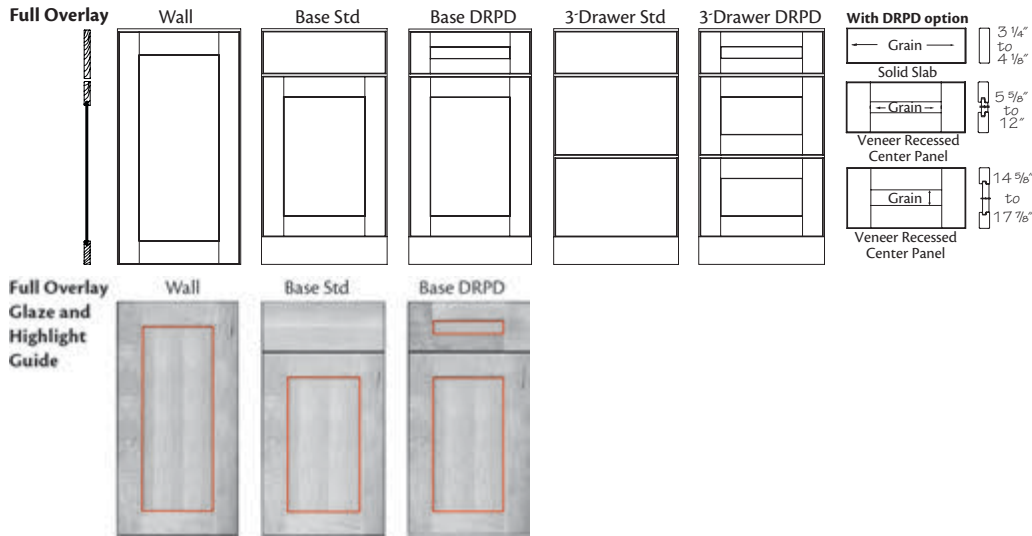
# Thaxton

Full Overlay

- AJ0C4** Cherry
- AJ0M4** Maple
- AJ0O4** Quartersawn Oak
- AJ0A4** Rustic Alder



Scan to view all Thaxton doors



- Solid wood door frame with 3" stiles and rails
- Square veneer recessed panel on wall and base doors
- Slab drawer front
- Deluxe Recessed Panel Drawer (DRPD) front available
- Concealed hinge
- Hardware is required

## Decorative Doors & Inserts Available

### Aluminum Frame Glass

- Fresco Brushed Aluminum
- Vetro Brushed Aluminum

### Camed Glass

- Chateau
- Classic Camed Insert
- Palisades
- Penrose
- Victorian
- Yorkshire

### Classic Glass

- Bistro
- Prepared for Glass
- Prism
- Shadow

### Etched Glass

- Crossroads
- Lisbon
- Modern Frosted Insert
- Prairie
- Satina

### Layered Glass

- Antiquity
- Mirage
- Silk
- Wintersday

### Mullion Doors

- Ambry ★
- Castlegate ★
- Evansville ★
- Hewitt ★
- Showcase Mullion ★
- Traditional Mullion★

### Specialty Inserts

- Chalkboard Insert
- Leather Insert

### Textured Glass

- Cascade
- Dolace
- Modern Textured Insert
- Moire
- Ravenna
- Styx
- Vauxhall

★ *Not available in Rustic door styles*

# Thaxton Finishes

- ❖ Available as Standard
- Premium Upcharge

		Thaxton Cherry	Thaxton Maple	Thaxton QS Oak	Thaxton Rustic Alder
		AJ0C4	AJ0M4	AJ0O4	AJ0A4
Autumn Blush	AB	❖		❖	❖
Autumn Blush Suede	C21	●	●	●	●
Autumn Blush W/Onyx Glaze	F81	●	●	●	●
Autumn Blush W/Onyx Glaze Suede	F82	●	●	●	●
Baltic	D78	❖		❖	❖
Baltic Suede	D80	●	●	●	●
Barley	E84	❖	❖	❖	❖
Barley Suede	E85	●	●	●	●
Bonsai	E69		●		
Bonsai Suede	E70		●		
Burmese	E67		●		
Burmese Suede	E68		●		
Cabernet	CT	❖	❖	❖	❖
Cabernet Suede	C80	●	●	●	●
Cabernet W/Onyx Glaze	F83	●		●	
Cabernet W/Onyx Glaze Suede	F84	●		●	
Camel	F68		●		
Camel Suede	F69		●		
Cannon Grey	D81	❖	❖	❖	❖
Cannon Grey Suede	D83	●	●	●	●
Canvas	CV		●		
Canvas Suede	D37		●		
Canvas W/Cinder Highlight	E87		●		
Canvas W/Cinder Highlight Suede	E88		●		
Canvas W/Cocoa Highlight Suede	E90		●		
Canvas W/Cocoa Highlight	E89		●		
Chestnut	CN	❖			
Chestnut Suede	C23		●		
Chestnut W/Onyx Glaze	F85		●		
Chestnut W/Onyx Glaze Suede	F86		●		
Chocolate	CC	❖	❖	❖	❖
Chocolate Suede	D87	●	●	●	●
Chocolate W/Ebony Glaze	F87	●		●	
Chocolate W/Ebony Glaze Suede	F88	●		●	
Cinnamon	CA	❖	❖	❖	❖
Cinnamon Suede	C74	●	●	●	●
Cinnamon W/Onyx Glaze	F89	●	●	●	●
Cinnamon W/Onyx Glaze Suede	F90	●	●	●	●
Cognac	CO	❖	❖	❖	❖
Cognac Suede	D85	●	●	●	●
Cottage	E80		●		
Cottage Suede	E81		●		
Dove White	DW		●		
Dove White Suede	D40		●		
Dove White W/Cinder Highlight	E93		●		
Dove White W/Cinder Highlight Suede	E94		●		
Dove White W/Cocoa Highlight	E95		●		
Dove White W/Cocoa Highlight Suede	E96		●		
Fawn	FN			❖	
Fawn Suede	D51			●	
Ginger	C88	❖	❖	❖	❖
Ginger Suede	C19	●	●	●	●
Ginger W/Sable Glaze	F91	●	●	●	●
Ginger W/Sable Glaze Suede	F92	●	●	●	●
Greyloft	B65		●		
Greyloft Suede	D41		●		
Greyloft W/Sable Highlight	E97		●		
Greyloft W/Sable Highlight Suede	E98		●		
Honey Spice	HS	❖	❖	❖	❖
Honey Spice Suede	D88	●	●	●	●
Husk	B82	❖		❖	❖
Husk Suede	C13	●		●	
Kaffé	KA	❖	❖	❖	❖
Kaffé Suede	C27	●	●	●	●
Lagoon	E63		●		
Lagoon Suede	E64		●		

		Thaxton Cherry	Thaxton Maple	Thaxton QS Oak	Thaxton Rustic Alder
		AJ0C4	AJ0M4	AJ0O4	AJ0A4
Linen	D90	●			
Linen Suede	D93	●			
Linen W/Cinder Highlight	E99	●			
Linen W/Cinder Highlight Suede	F00	●			
Linen W/Cocoa Highlight	F01	●			
Linen W/Cocoa Highlight Suede	F02	●			
Midnight	B69	●			
Midnight Suede	D42	●			
Midnight W/Onyx Highlight	F03	●			
Midnight W/Onyx Highlight Suede	F04	●			
Molasses	E58	❖	❖	❖	❖
Molasses Suede	E59	●	●	●	●
Moonshine	D98		●		
Moonshine Suede	E02		●		
Moonshine W/Cinder Highlight	F05		●		
Moonshine W/Cinder Highlight Suede	F06		●		
Moonshine W/Cocoa Highlight	F07		●		
Moonshine W/Cocoa Highlight Suede	F08		●		
Natural	NA	❖	❖	❖	❖
Natural Suede	D89	●	●	●	●
Onyx	A21		●		
Onyx Suede	D44		●		
Pebble Grey	B83		●		
Pebble Grey Suede	D45		●		
Pebble Grey W/Cocoa Highlight	F09		●		
Pebble Grey W/Cocoa Highlight Suede	F10		●		
Peppercorn	PC	❖	❖	❖	❖
Peppercorn Suede	D53	●	●	●	●
Praline	PR	❖	❖	❖	❖
Praline Suede	C78	●	●	●	●
Praline W/Onyx Glaze	F93		●		
Praline W/Onyx Glaze Suede	F94		●		
Rainfall	E82		●		
Rainfall Suede	E83		●		
Riverbed	F66		●		
Riverbed Suede	F67		●		
Rocky Mountain Sky	E61		●		
Rocky Mountain Sky Suede	E62		●		
Saddle	B81	❖	❖	❖	❖
Saddle Suede	C12	●	●	●	●
Slate	B64	❖	❖	❖	❖
Slate Suede	C72	●	●	●	●
Sunset	SU	❖			❖
Sunset Suede	D49	●			●
Surfside	E65		●		
Surfside Suede	E66		●		
Translucent Driftwood	F72		●	●	
Translucent Limestone	E52		●	●	
Translucent Phantom	F70		●	●	
Unfinished	UF	❖	❖	❖	❖
Warm White	F63		●		
Warm White Suede	F64		●		

# Thornton



Scan to view all Thornton doors

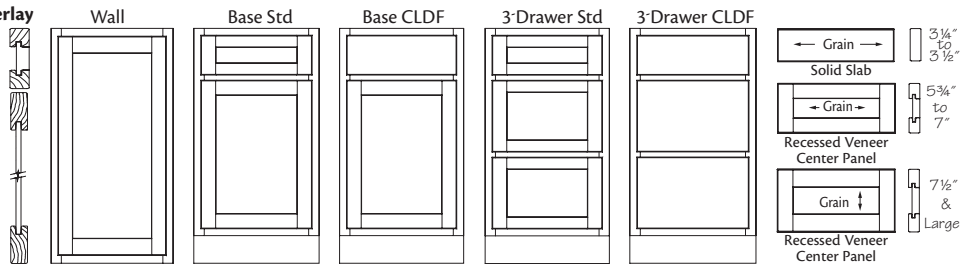
1/2" Overlay

<b>AE8C4</b>	Cherry
<b>AE8D4</b>	EverCore®
<b>AE8H4</b>	Hickory
<b>AE8M4</b>	Maple
<b>AE8O4</b>	Oak
<b>AE8A4</b>	Rustic Alder

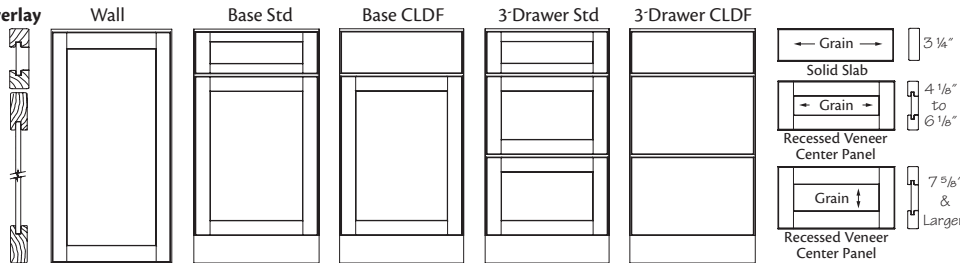
Full Overlay

<b>LY4</b>	Cherry
<b>MPD4</b>	EverCore®
<b>AE9H4</b>	Hickory
<b>MP4</b>	Maple
<b>AE9O4</b>	Oak
<b>MPA4</b>	Rustic Alder
<b>AC7M4</b>	Rustic Maple

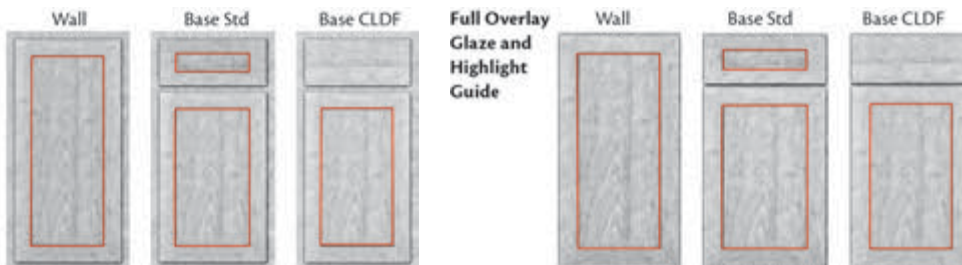
1/2" Overlay



Full Overlay



1/2" Overlay  
Glaze and  
Highlight  
Guide



- Solid wood door frame with 2 3/16" stiles and rails, except EverCore®, which will be mechanically compressed wood fiber
- Square veneer recessed panels on wall and base doors, except EverCore®, which will be mechanically compressed wood fiber
- Grain direction does **not** apply to EverCore® doors
- Five-piece drawer front
- Classic Drawer Front (CLDF) option available
- Concealed hinge
- Hardware is required for full overlay
- Finger Pull Routing is available on 1/2" overlay, unavailable in EverCore®
- Rustic Maple available in full overlay only
- **Note:** When CLDF option is applied, all drawer fronts will be slab
- **Note:** Rustic door styles feature knotty or character wood. It contains character marks such as heartwood, worm holes and mineral streaks of varying size. Components of these doors are chosen at random, with the appearance of each individual door varying widely from very rustic to relatively clear and unmarked

# Thornton continued

## Decorative Doors & Inserts Available

### Aluminum Frame Glass

- Fresco Brushed Aluminum ■
- Vetro Brushed Aluminum ■

### Camed Glass

- Chateau
- Classic Camed Insert ■
- Palisades
- Penrose
- Victorian
- Yorkshire

### Classic Glass

- Bistro
- Prepared for Glass
- Prism
- Shadow

### Etched Glass

- Crossroads
- Lisbon
- Modern Frosted Insert ■
- Prairie
- Satina

### Layered Glass

- Antiquity
- Mirage
- Silk
- Wintersday

### Mullion Doors

- Ambry ■ ▲ ★
- Castlegate ■ ▲ ★
- Evansville ■ ▲ ★
- Hewitt ■ ▲ ★
- Palladia ■ ● ★
- Raleigh ■ ● ★
- Showcase Mullion ▲ ★
- Traditional Mullion ▲ ★

### Specialty Inserts

- Chalkboard Insert
- Leather Insert

### Textured Glass

- Cascade
- Dolace
- Modern Textured Insert ■
- Moire
- Ravenna
- Styx
- Vauxhall

■ Only available in full overlay door styles

▲ Only available in Cherry, Hickory, Maple & Oak door styles

★ **Not** available in Rustic door styles

● Only available in Cherry & Maple door styles

# Thornton Finishes

❖ Available as Standard  
● Premium Upcharge

		LY4	Thornton Cherry - Full	Thornton Cherry - Half	Thornton EverCore® - Full	Thornton EverCore® - Half	Thornton Hickory - Full	Thornton Hickory - Half	Thornton Maple - Full	Thornton Maple - Half	Thornton Oak - Full	Thornton Oak - Half	Thornton Rustic Alder - Full	Thornton Rustic Alder - Half	Thornton Rustic Maple
		AE8C4	MPD4	AE8D4	AE9H4	AE8H4	MP4	AE8M4	AE9O4	AE8O4	MPA4	AE8A4	AC7M4		
Autumn Blush	AB	❖	❖								❖	❖	❖	❖	
Autumn Blush Suede	C21	●	●								●	●	●	●	
Autumn Blush W/Onyx Glaze	F81	●	●								●	●	●	●	
Autumn Blush W/Onyx Glaze Suede	F82	●	●								●	●	●	●	
Baltic	D78	❖	❖								❖	❖	❖	❖	
Baltic Suede	D80	●	●								●	●	●	●	
Barley	E84	❖	❖			❖	❖	❖	❖	❖	❖	❖	❖	❖	❖
Barley Suede	E85	●	●			●	●	●	●	●	●	●	●	●	●
Bonsai	E69			●	●			●	●						
Bonsai Suede	E70			●	●			●	●						
Burmese	E67			●	●			●	●						
Burmese Suede	E68			●	●			●	●						
Cabernet	CT	❖	❖					❖	❖			❖	❖	❖	
Cabernet Suede	C80	●	●					●	●			●	●	●	
Cabernet W/Onyx Glaze	F83	●	●									●	●	●	
Cabernet W/Onyx Glaze Suede	F84	●	●									●	●	●	
Camel	F68			●	●			●	●						
Camel Suede	F69			●	●			●	●						
Cannon Grey	D81	❖	❖					❖	❖	❖	❖	❖	❖	❖	❖
Cannon Grey Suede	D83	●	●					●	●	●	●	●	●	●	●
Canvas	CV			●	●			●	●						
Canvas Suede	D37			●	●			●	●						
Canvas W/Cinder Highlight	E87							●	●						
Canvas W/Cinder Highlight Suede	E88							●	●						
Canvas W/Cocoa Highlight Suede	E90							●	●						
Canvas W/Cocoa Highlight	E89							●	●						
Chestnut	CN							❖	❖						❖
Chestnut Suede	C23							●	●						●
Chestnut W/Onyx Glaze	F85							●	●						●
Chestnut W/Onyx Glaze Suede	F86							●	●						●
Chocolate	CC	❖	❖					❖	❖			❖	❖	❖	
Chocolate Suede	D87	●	●					●	●			●	●	●	
Chocolate W/Ebony Glaze	F87	●	●									●	●	●	
Chocolate W/Ebony Glaze Suede	F88	●	●									●	●	●	
Cinnamon	CA	❖	❖					❖	❖			❖	❖	❖	
Cinnamon Suede	C74	●	●					●	●			●	●	●	
Cinnamon W/Onyx Glaze	F89	●	●					●	●			●	●	●	
Cinnamon W/Onyx Glaze Suede	F90	●	●					●	●			●	●	●	
Cognac	CO	❖	❖			❖	❖	❖	❖	❖	❖	❖	❖	❖	❖
Cognac Suede	D85	●	●			●	●	●	●	●	●	●	●	●	●
Cottage	E80			●	●			●	●						
Cottage Suede	E81			●	●			●	●						
Dove White	DW			●	●			●	●						
Dove White Suede	D40			●	●			●	●						
Dove White W/Cinder Highlight	E93							●	●						
Dove White W/Cinder Highlight Suede	E94							●	●						
Dove White W/Cocoa Highlight	E95							●	●						
Dove White W/Cocoa Highlight Suede	E96							●	●						
Fawn	FN									❖	❖				
Fawn Suede	D51									●	●				
Ginger	C88	❖	❖			❖	❖	❖	❖	❖	❖	❖	❖	❖	❖
Ginger Suede	C19	●	●			●	●	●	●	●	●	●	●	●	●
Ginger W/Sable Glaze	F91	●	●			●	●	●	●	●	●	●	●	●	●
Ginger W/Sable Glaze Suede	F92	●	●			●	●	●	●	●	●	●	●	●	●
Greyloft	B65			●	●			●	●						
Greyloft Suede	D41			●	●			●	●						
Greyloft W/Sable Highlight	E97							●	●						
Greyloft W/Sable Highlight Suede	E98							●	●						
Honey Spice	HS	❖	❖			❖	❖	❖	❖	❖	❖	❖	❖	❖	❖
Honey Spice Suede	D88	●	●			●	●	●	●	●	●	●	●	●	●
Husk	B82	❖	❖			❖	❖	❖	❖	❖	❖	❖	❖	❖	❖
Husk Suede	C13	●	●			●	●			●	●	●	●	●	●
Kaffé	KA	❖	❖			❖	❖	❖	❖	❖	❖	❖	❖	❖	❖
Kaffé Suede	C27	●	●			●	●	●	●	●	●	●	●	●	●
Lagoon	E63			●	●			●	●						
Lagoon Suede	E64			●	●			●	●						



# Thornton Finishes continued

- ❖ Available as Standard
- Premium Upcharge

	LY4	Thornton Cherry - Full	Thornton Cherry - Half	Thornton EverCore® - Full	Thornton EverCore® - Half	Thornton Hickory - Full	Thornton Hickory - Half	Thornton Maple - Full	Thornton Maple - Half	Thornton Oak - Full	Thornton Oak - Half	Thornton Rustic Alder - Full	Thornton Rustic Alder - Half	Thornton Rustic Maple
		AE8C4	MPD4	AE8D4	AE9H4	AE8H4	MP4	AE8M4	AE9O4	AE8O4	MPA4	AE8A4	AC7M4	
Linen	D90		●	●			●	●						
Linen Suede	D93		●	●			●	●						
Linen W/Cinder Highlight	E99						●	●						
Linen W/Cinder Highlight Suede	F00						●	●						
Linen W/Cocoa Highlight	F01						●	●						
Linen W/Cocoa Highlight Suede	F02						●	●						
Midnight	B69		●	●			●	●						
Midnight Suede	D42		●	●			●	●						
Midnight W/Onyx Highlight	F03						●	●						
Midnight W/Onyx Highlight Suede	F04						●	●						
Molasses	E58	❖	❖			❖	❖	❖	❖	❖	❖	❖	❖	
Molasses Suede	E59	●	●			●	●	●	●	●	●	●	●	
Moonshine	D98		●	●			●	●						
Moonshine Suede	E02		●	●			●	●						
Moonshine W/Cinder Highlight	F05						●	●						
Moonshine W/Cinder Highlight Suede	F06						●	●						
Moonshine W/Cocoa Highlight	F07						●	●						
Moonshine W/Cocoa Highlight Suede	F08						●	●						
Natural	NA	❖	❖			❖	❖	❖	❖	❖	❖	❖	❖	
Natural Suede	D89	●	●			●	●	●	●	●	●	●	●	
Onyx	A21		●	●			●	●	●	●				
Onyx Suede	D44		●	●			●	●	●	●				
Pebble Grey	B83		●	●			●	●						
Pebble Grey Suede	D45		●	●			●	●						
Pebble Grey W/Cocoa Highlight	F09						●	●						
Pebble Grey W/Cocoa Highlight Suede	F10						●	●						
Peppercorn	PC	❖	❖				❖	❖	❖	❖	❖	❖	❖	
Peppercorn Suede	D53	●	●				●	●	●	●	●	●	●	
Praline	PR	❖	❖			❖	❖	❖	❖	❖	❖	❖	❖	
Praline Suede	C78	●	●			●	●	●	●	●	●	●	●	
Praline W/Onyx Glaze	F93					●	●	●	●	●			●	
Praline W/Onyx Glaze Suede	F94					●	●	●	●	●			●	
Rainfall	E82		●	●			●	●						
Rainfall Suede	E83		●	●			●	●						
Riverbed	F66		●	●			●	●						
Riverbed Suede	F67		●	●			●	●						
Rocky Mountain Sky	E61		●	●			●	●						
Rocky Mountain Sky Suede	E62		●	●			●	●						
Saddle	B81	❖	❖			❖	❖	❖	❖	❖	❖	❖	❖	
Saddle Suede	C12	●	●			●	●	●	●	●	●	●	●	
Slate	B64	❖	❖			❖	❖	❖	❖	❖			❖	
Slate Suede	C72	●	●			●	●	●	●	●			●	
Sunset	SU	❖	❖			❖	❖	❖	❖	❖	❖	❖	❖	
Sunset Suede	D49	●	●			●	●				●	●		
Surfside	E65		●	●			●	●						
Surfside Suede	E66		●	●			●	●						
Translucent Driftwood	F72					●	●	●	●	●			●	
Translucent Limestone	E52					●	●	●	●	●			●	
Translucent Phantom	F70					●	●	●	●	●			●	
Unfinished	UF	❖	❖			❖	❖	❖	❖	❖	❖	❖	❖	
Warm White	F63		●	●			●	●						
Warm White Suede	F64		●	●			●	●						

# Torrington

Full Overlay

AA0C4

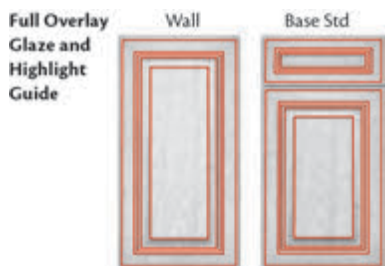
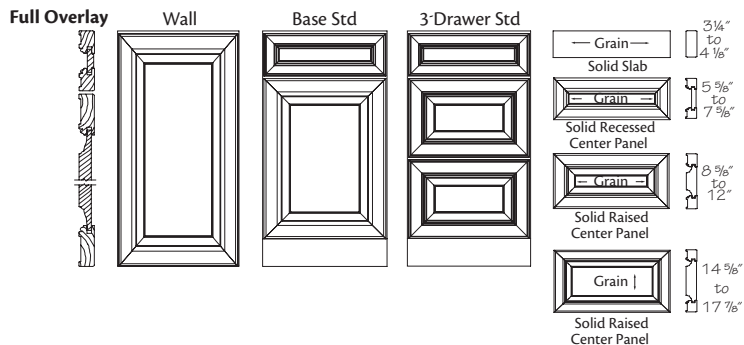
Cherry

AA0M4

Maple



Scan to view all Torrington doors



- Solid wood mitered door frame with 2 5/8" stiles and rails
- Drawer front varies depending on height
- Concealed hinge
- Hardware is required
- Square solid raised panel on wall and base doors

## Decorative Doors & Inserts Available

### Aluminum Frame Glass

- Fresco Brushed Aluminum
- Vetro Brushed Aluminum

### Camed Glass

- Chateau
- Classic Camed Insert
- Palisades
- Penrose
- Victorian
- Yorkshire

### Classic Glass

- Bistro
- Prepared for Glass
- Prism
- Shadow

### Etched Glass

- Crossroads
- Lisbon
- Modern Frosted Insert
- Prairie
- Satina

### Layered Glass

- Antiquity
- Mirage
- Silk
- Wintersday

### Mullion Doors

- Ambry
- Castlegate
- Evansville
- Hewitt
- Showcase Mullion
- Traditional Mullion

### Specialty Inserts

- Chalkboard Insert
- Leather Insert

### Textured Glass

- Cascade
- Dolace
- Modern Textured Insert
- Moire
- Ravenna
- Styx
- Vauxhall

# Torrington Finishes

- ◆ Available as Standard
- Premium Upcharge

		Torrington Cherry Square	Torrington Maple Square
		AA0C4	AA0M4
Autumn Blush	AB	◆	
Autumn Blush Suede	C21	●	
Autumn Blush W/Onyx Glaze	F81	●	
Autumn Blush W/Onyx Glaze Suede	F82	●	
Baltic	D78	◆	
Baltic Suede	D80	●	
Barley	E84	◆	◆
Barley Suede	E85	●	●
Bonsai	E69	●	●
Bonsai Suede	E70	●	●
Burmese	E67	●	●
Burmese Suede	E68	●	●
Cabernet	CT	◆	◆
Cabernet Suede	C80	●	●
Cabernet W/Onyx Glaze	F83	●	
Cabernet W/Onyx Glaze Suede	F84	●	
Camel	F68	●	●
Camel Suede	F69	●	●
Cannon Grey	D81	◆	◆
Cannon Grey Suede	D83	●	●
Canvas	CV	●	●
Canvas Suede	D37	●	●
Canvas W/Cinder Highlight	E87	●	●
Canvas W/Cinder Highlight Suede	E88	●	●
Canvas W/Cocoa Highlight Suede	E90	●	●
Canvas W/Cocoa Highlight	E89	●	●
Chestnut	CN	◆	
Chestnut Suede	C23	●	●
Chestnut W/Onyx Glaze	F85	●	●
Chestnut W/Onyx Glaze Suede	F86	●	●
Chocolate	CC	◆	◆
Chocolate Suede	D87	●	●
Chocolate W/Ebony Glaze	F87	●	●
Chocolate W/Ebony Glaze Suede	F88	●	●
Cinnamon	CA	◆	◆
Cinnamon Suede	C74	●	●
Cinnamon W/Onyx Glaze	F89	●	●
Cinnamon W/Onyx Glaze Suede	F90	●	●
Cognac	CO	◆	◆
Cognac Suede	D85	●	●
Cottage	E80	●	●
Cottage Suede	E81	●	●
Distressed Autumn Blush	C22	●	●
Distressed Baltic	D79	●	●
Distressed Barley	E86	●	●
Distressed Cabernet	C87	●	●
Distressed Cannon Grey	D82	●	●
Distressed Chestnut	C24	●	●
Distressed Chocolate	D86	●	●
Distressed Cinnamon	C75	●	●
Distressed Cognac	D84	●	●
Distressed Ginger	C20	●	●
Distressed Husk	C15	●	●
Distressed Kaffé	C28	●	●
Distressed Molasses	E60	●	●
Distressed Peppercorn	C86	●	●
Distressed Praline	C79	●	●
Distressed Saddle	C14	●	●
Distressed Slate	C73	●	●
Distressed Sunset	D50	●	●
Distressed Translucent Driftwood	F73	●	●
Distressed Translucent Limestone	E53	●	●
Distressed Translucent Phantom	F71	●	●
Dove White	DW	●	●
Dove White Suede	D40	●	●
Dove White W/Cinder Highlight	E93	●	●

		Torrington Cherry Square	Torrington Maple Square
		AA0C4	AA0M4
Dove White W/Cinder Highlight Suede	E94	●	●
Dove White W/Cocoa Highlight	E95	●	●
Dove White W/Cocoa Highlight Suede	E96	●	●
Ginger	C88	◆	◆
Ginger Suede	C19	●	●
Ginger W/Sable Glaze	F91	●	●
Ginger W/Sable Glaze Suede	F92	●	●
Greyloft	B65	●	●
Greyloft Suede	D41	●	●
Greyloft W/Sable Highlight	E97	●	●
Greyloft W/Sable Highlight Suede	E98	●	●
Honey Spice	HS	◆	◆
Honey Spice Suede	D88	●	●
Husk	B82	◆	
Husk Suede	C13	●	●
Kaffé	KA	◆	◆
Kaffé Suede	C27	●	●
Lagoon	E63	●	●
Lagoon Suede	E64	●	●
Linen	D90	●	●
Linen Suede	D93	●	●
Linen W/Cinder Highlight	E99	●	●
Linen W/Cinder Highlight Suede	F00	●	●
Linen W/Cocoa Highlight	F01	●	●
Linen W/Cocoa Highlight Suede	F02	●	●
Midnight	B69	●	●
Midnight Suede	D42	●	●
Midnight W/Onyx Highlight	F03	●	●
Midnight W/Onyx Highlight Suede	F04	●	●
Molasses	E58	◆	◆
Molasses Suede	E59	●	●
Moonshine	D98	●	●
Moonshine Suede	E02	●	●
Moonshine W/Cinder Highlight	F05	●	●
Moonshine W/Cinder Highlight Suede	F06	●	●
Moonshine W/Cocoa Highlight	F07	●	●
Moonshine W/Cocoa Highlight Suede	F08	●	●
Natural	NA	◆	◆
Natural Suede	D89	●	●
Onyx	A21	●	●
Onyx Suede	D44	●	●
Pebble Grey	B83	●	●
Pebble Grey Suede	D45	●	●
Pebble Grey W/Cocoa Highlight	F09	●	●
Pebble Grey W/Cocoa Highlight Suede	F10	●	●
Peppercorn	PC	◆	◆
Peppercorn Suede	D53	●	●
Praline	PR	◆	◆
Praline Suede	C78	●	●
Praline W/Onyx Glaze	F93	●	●
Praline W/Onyx Glaze Suede	F94	●	●
Rainfall	E82	●	●
Rainfall Suede	E83	●	●
Riverbed	F66	●	●
Riverbed Suede	F67	●	●
Rocky Mountain Sky	E61	●	●
Rocky Mountain Sky Suede	E62	●	●
Saddle	B81	◆	◆
Saddle Suede	C12	●	●
Slate	B64	◆	◆
Slate Suede	C72	●	●
Sunset	SU	◆	
Sunset Suede	D49	●	●
Surfside	E65	●	●
Surfside Suede	E66	●	●
Translucent Driftwood	F72	●	●

		Torrington Cherry Square	Torrington Maple Square
		AA0C4	AA0M4
Translucent Limestone	E52	●	●
Translucent Phantom	F70	●	●
Unfinished	UF	◆	◆
Vintage Canvas	VC	◆	◆
Vintage Canvas Suede	E42	●	●
Vintage Cottage	F74	●	●
Vintage Cottage Suede	F75	●	●
Vintage Dove White	VD	●	●
Vintage Dove White Suede	E44	●	●
Vintage Greyloft	B67	●	●
Vintage Greyloft Suede	E45	●	●
Vintage Linen	D91	●	●
Vintage Linen Suede	E46	●	●
Vintage Midnight	B71	●	●
Vintage Midnight Suede	E47	●	●
Vintage Moonshine	D99	●	●
Vintage Moonshine Suede	E48	●	●
Vintage Onyx	VO	●	●
Vintage Onyx Suede	E50	●	●
Vintage Pebble Grey	B86	●	●
Vintage Pebble Grey Suede	E51	●	●
Vintage Warm White	F76	●	●
Vintage Warm White Suede	F77	●	●
Warm White	F63	●	●
Warm White Suede	F64	●	●

# Veranda

Full Overlay

AA1C4

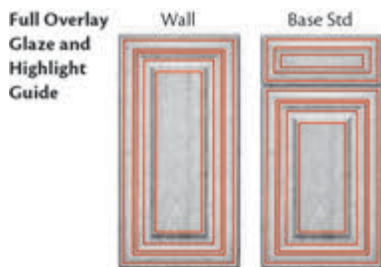
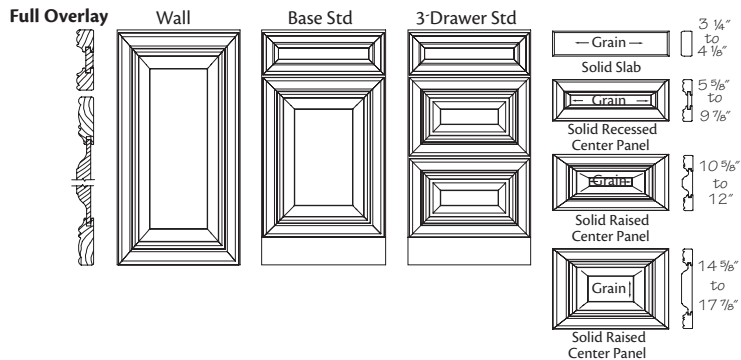
Cherry

AA1M4

Maple



Scan to view all Veranda doors



- Solid wood mitered door frame with 3" stiles and rails
- Square solid raised panel on wall and base doors
- Drawer front varies depending on height
- Concealed hinge
- Hardware is required

## Decorative Doors & Inserts Available

### Aluminum Frame Glass

- Fresco Brushed Aluminum
- Vetro Brushed Aluminum

### Camed Glass

- Chateau
- Classic Camed Insert
- Palisades
- Penrose
- Victorian
- Yorkshire

### Classic Glass

- Bistro
- Prepared for Glass
- Prism
- Shadow

### Etched Glass

- Crossroads
- Lisbon
- Modern Frosted Insert
- Prairie
- Satina

### Layered Glass

- Antiquity
- Mirage
- Silk
- Wintersday

### Mullion Doors

- Castlegate
- Evansville
- Hewitt
- Showcase Mullion
- Traditional Mullion

### Specialty Inserts

- Chalkboard Insert
- Leather Insert

### Textured Glass

- Cascade
- Dolace
- Modern Textured Insert
- Moire
- Ravenna
- Styx
- Vauxhall

# Veranda Finishes

- ◆ Available as Standard
- Premium Upcharge

		Veranda Cherry Square	Veranda Maple Square	AA1C4	AA1M4
Autumn Blush	AB	◆			
Autumn Blush Suede	C21	●			
Autumn Blush W/Onyx Glaze	F81	●			
Autumn Blush W/Onyx Glaze Suede	F82	●			
Baltic	D78	◆			
Baltic Suede	D80	●			
Barley	E84	◆	◆		
Barley Suede	E85	●	●		
Bonsai	E69			●	
Bonsai Suede	E70			●	
Burmese	E67			●	
Burmese Suede	E68			●	
Cabernet	CT	◆	◆		
Cabernet Suede	C80	●	●		
Cabernet W/Onyx Glaze	F83	●			
Cabernet W/Onyx Glaze Suede	F84	●			
Camel	F68			●	
Camel Suede	F69			●	
Cannon Grey	D81	◆	◆		
Cannon Grey Suede	D83	●	●		
Canvas	CV			●	
Canvas Suede	D37			●	
Canvas W/Cinder Highlight	E87			●	
Canvas W/Cinder Highlight Suede	E88			●	
Canvas W/Cocoa Highlight Suede	E90			●	
Canvas W/Cocoa Highlight	E89			●	
Chestnut	CN	◆			
Chestnut Suede	C23			●	
Chestnut W/Onyx Glaze	F85			●	
Chestnut W/Onyx Glaze Suede	F86			●	
Chocolate	CC	◆	◆		
Chocolate Suede	D87	●	●		
Chocolate W/Ebony Glaze	F87	●			
Chocolate W/Ebony Glaze Suede	F88	●			
Cinnamon	CA	◆	◆		
Cinnamon Suede	C74	●	●		
Cinnamon W/Onyx Glaze	F89	●	●		
Cinnamon W/Onyx Glaze Suede	F90	●	●		
Cognac	CO	◆	◆		
Cognac Suede	D85	●	●		
Cottage	E80			●	
Cottage Suede	E81			●	
Distressed Autumn Blush	C22	●			
Distressed Baltic	D79	●			
Distressed Barley	E86	●	●		
Distressed Cabernet	C87	●	●		
Distressed Cannon Grey	D82	●	●		
Distressed Chestnut	C24	●	●		
Distressed Chocolate	D86	●	●		
Distressed Cinnamon	C75	●	●		
Distressed Cognac	D84	●	●		
Distressed Ginger	C20	●	●		
Distressed Husk	C15	●	●		
Distressed Kaffé	C28	●	●		
Distressed Molasses	E60	●	●		
Distressed Peppercorn	C86	●	●		
Distressed Praline	C79	●	●		
Distressed Saddle	C14	●	●		
Distressed Slate	C73	●	●		
Distressed Sunset	D50	●			
Distressed Translucent Driftwood	F73			●	
Distressed Translucent Limestone	E53			●	
Distressed Translucent Phantom	F71			●	
Dove White	DW			●	
Dove White Suede	D40			●	
Dove White W/Cinder Highlight	E93			●	
Dove White W/Cinder Highlight Suede	E94			●	
Dove White W/Cocoa Highlight	E95			●	
Dove White W/Cocoa Highlight Suede	E96			●	
Ginger	C88	◆	◆		
Ginger Suede	C19	●	●		
Ginger W/Sable Glaze	F91	●	●		
Ginger W/Sable Glaze Suede	F92	●	●		
Greyloft	B65			●	
Greyloft Suede	D41			●	
Greyloft W/Sable Highlight	E97			●	
Greyloft W/Sable Highlight Suede	E98			●	
Honey Spice	HS	◆	◆		
Honey Spice Suede	D88	●	●		
Husk	B82	◆			
Husk Suede	C13	●			
Kaffé	KA	◆	◆		
Kaffé Suede	C27	●	●		
Lagoon	E63			●	
Lagoon Suede	E64			●	
Linen	D90			●	
Linen Suede	D93			●	
Linen W/Cinder Highlight	E99			●	
Linen W/Cinder Highlight Suede	F00			●	
Linen W/Cocoa Highlight	F01			●	
Linen W/Cocoa Highlight Suede	F02			●	
Midnight	B69			●	
Midnight Suede	D42			●	
Midnight W/Onyx Highlight	F03			●	
Midnight W/Onyx Highlight Suede	F04			●	
Molasses	E58	◆	◆		
Molasses Suede	E59	●	●		
Moonshine	D98			●	
Moonshine Suede	E02			●	
Moonshine W/Cinder Highlight	F05			●	
Moonshine W/Cinder Highlight Suede	F06			●	
Moonshine W/Cocoa Highlight	F07			●	
Moonshine W/Cocoa Highlight Suede	F08			●	
Natural	NA	◆	◆		
Natural Suede	D89	●	●		
Onyx	A21			●	
Onyx Suede	D44			●	
Pebble Grey	B83			●	
Pebble Grey Suede	D45			●	
Pebble Grey W/Cocoa Highlight	F09			●	
Pebble Grey W/Cocoa Highlight Suede	F10			●	
Peppercorn	PC	◆	◆		
Peppercorn Suede	D53	●	●		
Praline	PR	◆	◆		
Praline Suede	C78	●	●		
Praline W/Onyx Glaze	F93			●	
Praline W/Onyx Glaze Suede	F94			●	
Rainfall	E82			●	
Rainfall Suede	E83			●	
Riverbed	F66			●	
Riverbed Suede	F67			●	
Rocky Mountain Sky	E61			●	
Rocky Mountain Sky Suede	E62			●	
Saddle	B81	◆	◆		
Saddle Suede	C12	●	●		
Slate	B64	◆	◆		
Slate Suede	C72	●	●		
Sunset	SU	◆			
Sunset Suede	D49	●			
Surfside	E65			●	
Surfside Suede	E66			●	
Translucent Driftwood	F72			●	
Translucent Limestone	E52			●	
Translucent Phantom	F70			●	
Unfinished	UF	◆	◆		
Vintage Canvas	VC	●			
Vintage Canvas Suede	E42			●	
Vintage Cottage	F74			●	
Vintage Cottage Suede	F75			●	
Vintage Dove White	VD			●	
Vintage Dove White Suede	E44			●	
Vintage Greyloft	B67			●	
Vintage Greyloft Suede	E45			●	
Vintage Linen	D91			●	
Vintage Linen Suede	E46			●	
Vintage Midnight	B71			●	
Vintage Midnight Suede	E47			●	
Vintage Moonshine	D99			●	
Vintage Moonshine Suede	E48			●	
Vintage Onyx	VO			●	
Vintage Onyx Suede	E50			●	
Vintage Pebble Grey	B86			●	
Vintage Pebble Grey Suede	E51			●	
Vintage Warm White	F76			●	
Vintage Warm White Suede	F77			●	
Warm White	F63			●	
Warm White Suede	F64			●	

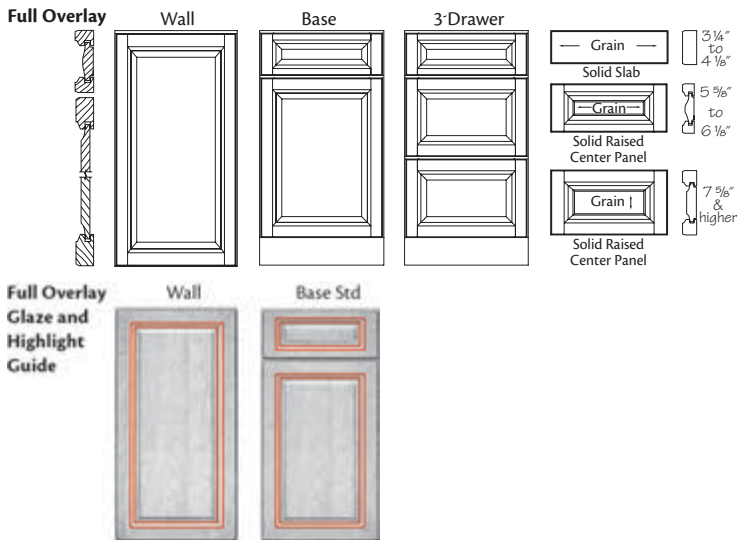
# Victoria

Full Overlay

- PKC4** Cherry
- PKD4** EverCore®
- PKM4** Maple



Scan to view all Victoria doors



- Solid wood door frame with 2 3/16" stiles and rails, except EverCore®, which will be mechanically compressed wood fiber
- Square solid raised panel on wall and base doors, except EverCore®, which will be mechanically compressed wood fiber
- Drawer front varies depending on height
- Concealed hinge
- Hardware is required

## Decorative Doors & Inserts Available

### Aluminum Frame Glass

- Fresco Brushed Aluminum
- Vetro Brushed Aluminum

### Camed Glass

- Chateau
- Classic Camed Insert
- Palisades
- Penrose
- Victorian
- Yorkshire

### Classic Glass

- Bistro
- Prepared for Glass
- Prism
- Shadow

### Etched Glass

- Crossroads
- Lisbon
- Modern Frosted Insert
- Prairie
- Satina

### Layered Glass

- Antiquity
- Mirage
- Silk
- Wintersday

### Mullion Doors

- Castlegate ■
- Evansville ■
- Hewitt ■
- Palladia ■
- Raleigh ■
- Showcase Mullion ■
- Traditional Mullion ■

### Specialty Inserts

- Chalkboard Insert
- Leather Insert

### Textured Glass

- Cascade
- Dolace
- Modern Textured Insert
- Moire
- Ravenna
- Styx
- Vauxhall

■ Not available in EverCore® door styles

# Victoria Finishes

- ◆ Available as Standard
- Premium Upcharge

		Victoria Cherry Square	Victoria EverCore® Square	Victoria Maple Square		Victoria Cherry Square	Victoria EverCore® Square	Victoria Maple Square		Victoria Cherry Square	Victoria EverCore® Square	Victoria Maple Square
		PKC4	PKD4	PKM4		PKC4	PKD4	PKM4		PKC4	PKD4	PKM4
Autumn Blush	AB	◆			Dove White W/Cinder Highlight Suede	E94		●	Translucent Limestone	E52		●
Autumn Blush Suede	C21	●			Dove White W/Cocoa Highlight	E95		●	Translucent Phantom	F70		●
Autumn Blush W/Onyx Glaze	F81	●			Dove White W/Cocoa Highlight Suede	E96		●	Unfinished	UF	◆	◆
Autumn Blush W/Onyx Glaze Suede	F82	●			Ginger	C18	◆	◆	Vintage Canvas	VC	●	
Baltic	D78	◆			Ginger Suede	C19	●	●	Vintage Canvas Suede	E42	●	
Baltic Suede	D80	●			Ginger W/Sable Glaze	F91	●	●	Vintage Cottage	F74	●	
Barley	E84	◆		◆	Ginger W/Sable Glaze Suede	F92	●	●	Vintage Cottage Suede	F75	●	
Barley Suede	E85	●		●	Greyloft	B65		●	Vintage Dove White	VD	●	
Bonsai	E69		●	●	Greyloft Suede	D41		●	Vintage Dove White Suede	E44	●	
Bonsai Suede	E70		●	●	Greyloft W/Sable Highlight	E97		●	Vintage Greyloft	B67	●	
Burmese	E67		●	●	Greyloft W/Sable Highlight Suede	E98		●	Vintage Greyloft Suede	E45	●	
Burmese Suede	E68		●	●	Honey Spice	HS	◆	◆	Vintage Linen	D91	●	
Cabernet	CT	◆		◆	Honey Spice Suede	D88	●	●	Vintage Linen Suede	E46	●	
Cabernet Suede	C80	●		●	Husk	B82	◆		Vintage Midnight	B71	●	
Cabernet W/Onyx Glaze	F83	●			Husk Suede	C13	●		Vintage Midnight Suede	E47	●	
Cabernet W/Onyx Glaze Suede	F84	●			Kaffé	KA	◆	◆	Vintage Moonshine	D99	●	
Camel	F68		●	●	Kaffé Suede	C27	●	●	Vintage Moonshine Suede	E48	●	
Camel Suede	F69		●	●	Lagoon	E63		●	Vintage Onyx	VO	●	
Cannon Grey	D81	◆		◆	Lagoon Suede	E64		●	Vintage Onyx Suede	E50	●	
Cannon Grey Suede	D83	●		●	Linen	D90		●	Vintage Pebble Grey	B86	●	
Canvas	CV		●	●	Linen Suede	D93		●	Vintage Pebble Grey Suede	E51	●	
Canvas Suede	D37		●	●	Linen W/Cinder Highlight	E99		●	Vintage Warm White	F76	●	
Canvas W/Cinder Highlight	E87			●	Linen W/Cinder Highlight Suede	F00		●	Vintage Warm White Suede	F77	●	
Canvas W/Cinder Highlight Suede	E88			●	Linen W/Cocoa Highlight	F01		●	Warm White	F63	●	●
Canvas W/Cocoa Highlight Suede	E90			●	Linen W/Cocoa Highlight Suede	F02		●	Warm White Suede	F64	●	●
Canvas W/Cocoa Highlight Suede	E89			●	Midnight	B69		●				
Chestnut	CN			◆	Midnight Suede	D42		●				
Chestnut Suede	C23			●	Midnight W/Onyx Highlight	F03		●				
Chestnut W/Onyx Glaze	F85			●	Midnight W/Onyx Highlight Suede	F04		●				
Chestnut W/Onyx Glaze Suede	F86			●	Molasses	E58	◆	◆				
Chocolate	CC	◆		◆	Molasses Suede	E59	●	●				
Chocolate Suede	D87	●		●	Moonshine	D98		●				
Chocolate W/Ebony Glaze	F87	●		●	Moonshine Suede	E02		●				
Chocolate W/Ebony Glaze Suede	F88	●		●	Moonshine W/Cinder Highlight	F05		●				
Cinnamon	CA	◆		◆	Moonshine W/Cinder Highlight Suede	F06		●				
Cinnamon Suede	C74	●		●	Moonshine W/Cocoa Highlight	F07		●				
Cinnamon W/Onyx Glaze	F89	●		●	Moonshine W/Cocoa Highlight Suede	F08		●				
Cinnamon W/Onyx Glaze Suede	F90	●		●	Natural	NA	◆	◆				
Cognac	CO	◆		◆	Natural Suede	D89	●	●				
Cognac Suede	D85	●		●	Onyx	A21		●				
Cottage	E80		●	●	Onyx Suede	D44		●				
Cottage Suede	E81		●	●	Pebble Grey	B83		●				
Distressed Autumn Blush	C22	●			Pebble Grey Suede	D45		●				
Distressed Baltic	D79	●			Pebble Grey W/Cocoa Highlight	F09		●				
Distressed Barley	E86	●		●	Pebble Grey W/Cocoa Highlight Suede	F10		●				
Distressed Cabernet	C87	●		●	Peppercorn	PC	◆	◆				
Distressed Cannon Grey	D82	●		●	Peppercorn Suede	D53	●	●				
Distressed Chestnut	C24	●		●	Praline	PR	◆	◆				
Distressed Chocolate	D86	●		●	Praline Suede	C78	●	●				
Distressed Cinnamon	C75	●		●	Praline W/Onyx Glaze	F93		●				
Distressed Cognac	D84	●		●	Praline W/Onyx Glaze Suede	F94		●				
Distressed Ginger	C20	●		●	Rainfall	E82		●				
Distressed Husk	C15	●		●	Rainfall Suede	E83		●				
Distressed Kaffé	C28	●		●	Riverbed	F66		●				
Distressed Molasses	E60	●		●	Riverbed Suede	F67		●				
Distressed Peppercorn	C86	●		●	Rocky Mountain Sky	E61		●				
Distressed Praline	C79	●		●	Rocky Mountain Sky Suede	E62		●				
Distressed Saddle	C14	●		●	Saddle	B81	◆	◆				
Distressed Slate	C73	●		●	Saddle Suede	C12	●	●				
Distressed Sunset	D50	●		●	Slate	B64	◆	◆				
Distressed Translucent Driftwood	F73	●		●	Slate Suede	C72	●	●				
Distressed Translucent Limestone	E53	●		●	Sunset	SU	◆					
Distressed Translucent Phantom	F71	●		●	Sunset Suede	D49	●					
Dove White	DW		●	●	Surfside	E65		●				
Dove White Suede	D40		●	●	Surfside Suede	E66		●				
Dove White W/Cinder Highlight	E93			●	Translucent Driftwood	F72		●				

# Welch

Full Overlay

**AH8C4**

Cherry

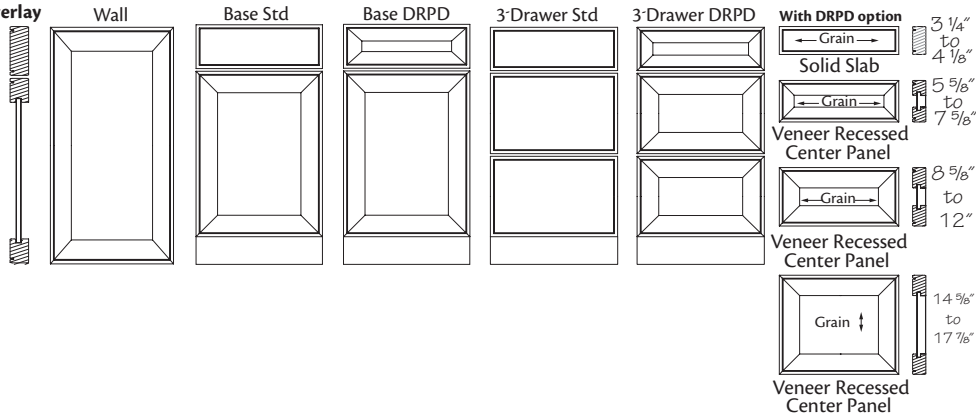
**AH8M4**

Maple

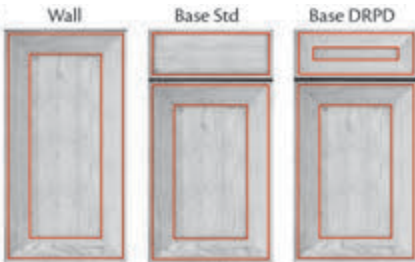


Scan to view all Welch doors

Full Overlay



Full Overlay Glaze and Highlight Guide



- Solid wood mitered door frame with 3" stiles and rails
- Square veneer recessed panel on wall and base doors
- Slab drawer front
- Deluxe Raised Panel Drawer (DRPD) front available
- Concealed hinge
- Hardware is required

## Decorative Doors & Inserts Available

### Aluminum Frame Glass

- Fresco Brushed Aluminum
- Vetro Brushed Aluminum

### Camed Glass

- Chateau
- Classic Camed Insert
- Palisades
- Penrose
- Victorian
- Yorkshire

### Classic Glass

- Bistro
- Prepared for Glass
- Prism
- Shadow

### Etched Glass

- Crossroads
- Lisbon
- Modern Frosted Insert
- Prairie
- Satina

### Layered Glass

- Antiquity
- Mirage
- Silk
- Wintersday

### Mullion Doors

- Ambry
- Castlegate
- Evansville
- Hewitt
- Showcase Mullion
- Traditional Mullion

### Specialty Inserts

- Chalkboard Insert
- Leather Insert

### Textured Glass

- Cascade
- Dolace
- Modern Textured Insert
- Moire
- Ravenna
- Styx
- Vauxhall



# Welch Finishes

❖ Available as Standard  
● Premium Upcharge

		Welch Cherry	Welch Maple	AH8C4	AH8M4
Autumn Blush	AB	❖			
Autumn Blush Suede	C21	●			
Autumn Blush W/Onyx Glaze	F81	●			
Autumn Blush W/Onyx Glaze Suede	F82	●			
Baltic	D78	❖			
Baltic Suede	D80	●			
Barley	E84	❖	❖		
Barley Suede	E85	●	●		
Bonsai	E69	●			
Bonsai Suede	E70	●			
Burmese	E67	●			
Burmese Suede	E68	●			
Cabernet	CT	❖	❖		
Cabernet Suede	C80	●	●		
Cabernet W/Onyx Glaze	F83	●			
Cabernet W/Onyx Glaze Suede	F84	●			
Camel	F68	●	●		
Camel Suede	F69	●			
Cannon Grey	D81	❖	❖		
Cannon Grey Suede	D83	●	●		
Canvas	CV	●			
Canvas Suede	D37	●			
Canvas W/Cinder Highlight	E87	●			
Canvas W/Cinder Highlight Suede	E88	●			
Canvas W/Cocoa Highlight Suede	E90	●			
Canvas W/Cocoa Highlight	E89	●			
Chestnut	CN	❖			
Chestnut Suede	C23	●			
Chestnut W/Onyx Glaze	F85	●			
Chestnut W/Onyx Glaze Suede	F86	●			
Chocolate	CC	❖	❖		
Chocolate Suede	D87	●	●		
Chocolate W/Ebony Glaze	F87	●			
Chocolate W/Ebony Glaze Suede	F88	●			
Cinnamon	CA	❖	❖		
Cinnamon Suede	C74	●	●		
Cinnamon W/Onyx Glaze	F89	●	●		
Cinnamon W/Onyx Glaze Suede	F90	●	●		
Cognac	CO	❖	❖		
Cognac Suede	D85	●	●		
Cottage	E80	●			
Cottage Suede	E81	●			
Dove White	DW	●			
Dove White Suede	D40	●			
Dove White W/Cinder Highlight	E93	●			
Dove White W/Cinder Highlight Suede	E94	●			
Dove White W/Cocoa Highlight	E95	●			
Dove White W/Cocoa Highlight Suede	E96	●			
Ginger	C88	❖	❖		
Ginger Suede	C19	●	●		
Ginger W/Sable Glaze	F91	●	●		
Ginger W/Sable Glaze Suede	F92	●	●		
Greyloft	B65	●			
Greyloft Suede	D41	●			
Greyloft W/Sable Highlight	E97	●			
Greyloft W/Sable Highlight Suede	E98	●			
Honey Spice	HS	❖	❖		
Honey Spice Suede	D88	●	●		
Husk	B82	❖			
Husk Suede	C13	●			
Kaffé	KA	❖	❖		
Kaffé Suede	C27	●	●		
Lagoon	E63	●			
Lagoon Suede	E64	●			
Linen	D90	●			

		Welch Cherry	Welch Maple	AH8C4	AH8M4
Linen Suede	D93	●			
Linen W/Cinder Highlight	E99	●			
Linen W/Cinder Highlight Suede	F00	●			
Linen W/Cocoa Highlight	F01	●			
Linen W/Cocoa Highlight Suede	F02	●			
Midnight	B69	●			
Midnight Suede	D42	●			
Midnight W/Onyx Highlight	F03	●			
Midnight W/Onyx Highlight Suede	F04	●			
Molasses	E58	❖	❖		
Molasses Suede	E59	●	●		
Moonshine	D98	●			
Moonshine Suede	E02	●			
Moonshine W/Cinder Highlight	F05	●			
Moonshine W/Cinder Highlight Suede	F06	●			
Moonshine W/Cocoa Highlight	F07	●			
Moonshine W/Cocoa Highlight Suede	F08	●			
Natural	NA	❖	❖		
Natural Suede	D89	●	●		
Onyx	A21	●			
Onyx Suede	D44	●			
Pebble Grey	B83	●			
Pebble Grey Suede	D45	●			
Pebble Grey W/Cocoa Highlight	F09	●			
Pebble Grey W/Cocoa Highlight Suede	F10	●			
Peppercorn	PC	❖	❖		
Peppercorn Suede	D53	●	●		
Praline	PR	❖	❖		
Praline Suede	C78	●	●		
Praline W/Onyx Glaze	F93	●			
Praline W/Onyx Glaze Suede	F94	●			
Rainfall	E82	●			
Rainfall Suede	E83	●			
Riverbed	F66	●			
Riverbed Suede	F67	●			
Rocky Mountain Sky	E61	●			
Rocky Mountain Sky Suede	E62	●			
Saddle	B81	❖	❖		
Saddle Suede	C12	●	●		
Slate	B64	❖	❖		
Slate Suede	C72	●	●		
Sunset	SU	❖			
Sunset Suede	D49	●			
Surfside	E65	●			
Surfside Suede	E66	●			
Translucent Driftwood	F72	●			
Translucent Limestone	E52	●			
Translucent Phantom	F70	●			
Unfinished	UF	❖	❖		
Warm White	F63	●			
Warm White Suede	F64	●			

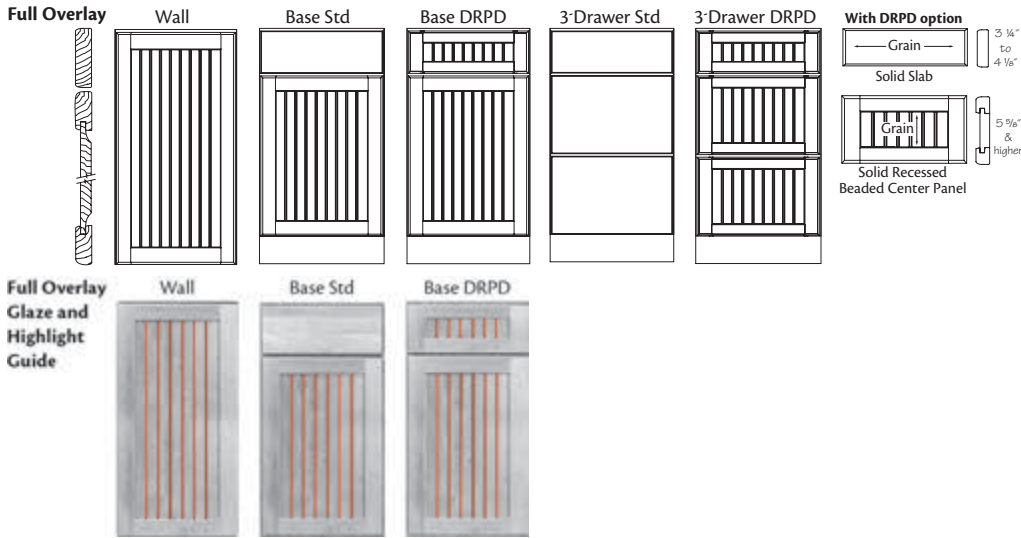
# Wilmington

Full Overlay

<b>BWC4</b>	Cherry
<b>BWDD4</b>	EverCore®
<b>BWH4</b>	Hickory
<b>BWM4</b>	Maple
<b>SMG4</b>	Oak



Scan to view  
all Wilmington  
doors



- Solid wood door frame with 2 1/4" stiles and rails, except EverCore®, which will be mechanically compressed wood fiber
- Square solid beaded recessed panel on wall and base doors, except EverCore®, which will be mechanically compressed wood fiber
- Grooves are 1 1/2" on center
- Slab drawer front
- Deluxe Recessed Panel Drawer (DRPD) front available
- Concealed hinge
- Hardware is required

## Decorative Doors & Inserts Available

### Aluminum Frame Glass

- Fresco Brushed Aluminum
- Vetro Brushed Aluminum

### Camed Glass

- Chateau
- Classic Camed Insert
- Palisades
- Penrose
- Victorian
- Yorkshire

### Classic Glass

- Bistro
- Prepared for Glass
- Prism
- Shadow

### Etched Glass

- Crossroads
- Lisbon
- Modern Frosted Insert
- Prairie
- Satina

### Layered Glass

- Antiquity
- Mirage
- Silk
- Wintersday

### Mullion Doors

- Ambry★
- Castlegate★
- Evansville★
- Hewitt★
- Palladia▲★
- Raleigh▲★
- Showcase Mullion★
- Traditional Mullion★

### Specialty Inserts

- Chalkboard Insert
- Leather Insert

### Textured Glass

- Cascade
- Dolace
- Modern Textured Insert
- Moire
- Ravenna
- Styx
- Vauxhall

▲ Only available in Cherry & Maple door styles  
★ Not available in Evercore® door styles

# Wilmington Finishes

- ◆ Available as Standard
- Premium Upcharge

		Wilmington Cherry	Wilmington EverCore®	Wilmington Hickory	Wilmington Maple	Wilmington Oak
Autumn Blush	AB	◆				◆
Autumn Blush Suede	C21	●				
Autumn Blush W/Onyx Glaze	F81	●				●
Autumn Blush W/Onyx Glaze Suede	F82	●				●
Baltic	D78	◆				◆
Baltic Suede	D80	●				●
Barley	E84	◆		◆	◆	◆
Barley Suede	E85	●		●	●	●
Bonsai	E69		●			●
Bonsai Suede	E70		●			●
Burmese	E67		●			●
Burmese Suede	E68		●			●
Cabernet	CT	◆				◆
Cabernet Suede	C80	●				●
Cabernet W/Onyx Glaze	F83	●				●
Cabernet W/Onyx Glaze Suede	F84	●				●
Camel	F68		●			●
Camel Suede	F69		●			●
Cannon Grey	D81	◆				◆
Cannon Grey Suede	D83	●				●
Canvas	CV		●			●
Canvas Suede	D37		●			●
Canvas W/Cinder Highlight	E87		●			●
Canvas W/Cinder Highlight Suede	E88		●			●
Canvas W/Cocoa Highlight	E89		●			●
Canvas W/Cocoa Highlight Suede	E90		●			●
Chestnut	CN			◆		
Chestnut Suede	C23			●		
Chestnut W/Onyx Glaze	F85			●		
Chestnut W/Onyx Glaze Suede	F86			●		
Chocolate	CC	◆				◆
Chocolate Suede	D87	●				●
Chocolate W/Ebony Glaze	F87	●				●
Chocolate W/Ebony Glaze Suede	F88	●				●
Cinnamon	CA	◆				◆
Cinnamon Suede	C74	●				●
Cinnamon W/Onyx Glaze	F89	●				●
Cinnamon W/Onyx Glaze Suede	F90	●				●
Cognac	CO	◆		◆	◆	◆
Cognac Suede	D85	●		●	●	●
Cottage	E80		●			●
Cottage Suede	E81		●			●
Distressed Autumn Blush	C22	●				●
Distressed Baltic	D79	●				●
Distressed Barley	E86	●		●	●	●
Distressed Cabernet	C87	●		●	●	●
Distressed Cannon Grey	D82	●		●	●	●
Distressed Chestnut	C24	●		●	●	●
Distressed Chocolate	D86	●		●	●	●
Distressed Cinnamon	C75	●		●	●	●
Distressed Cognac	D84	●		●	●	●
Distressed Fawn	D52					●
Distressed Ginger	C20	●		●	●	●
Distressed Husk	C15	●		●	●	●
Distressed Husk Suede	C18	●		●	●	●
Distressed Kaffé	C28	●		●	●	●
Distressed Molasses	E60	●		●	●	●
Distressed Peppercorn	C86	●		●	●	●
Distressed Praline	C79	●		●	●	●
Distressed Saddle	C14	●		●	●	●
Distressed Slate	C73	●		●	●	●
Distressed Sunset	D50	●		●	●	●
Distressed Translucent Driftwood	F73			●	●	●
Distressed Translucent Limestone	E53			●	●	●
Distressed Translucent Phantom	F71			●	●	●
Dove White	DW		●			●
Dove White Suede	D40		●			●
Dove White W/Cinder Highlight	E93					●
Dove White W/Cinder Highlight Suede	E94					●
Dove White W/Cocoa Highlight	E95					●
Dove White W/Cocoa Highlight Suede	E96					●
Fawn	FN					◆
Fawn Suede	D51					●
Ginger	C88	◆		◆	◆	◆
Ginger Suede	C19	●		●	●	●
Ginger W/Sable Glaze	F91	●		●	●	●
Ginger W/Sable Glaze Suede	F92	●		●	●	●
Greyloft	B65		●			●
Greyloft Suede	D41		●			●

		Wilmington Cherry	Wilmington EverCore®	Wilmington Hickory	Wilmington Maple	Wilmington Oak
Greyloft W/Sable Highlight	E97					●
Greyloft W/Sable Highlight Suede	E98					●
Honey Spice	HS	◆			◆	◆
Honey Spice Suede	D88	●		●	●	●
Husk	B82	◆		◆		◆
Husk Suede	C13	●		●		●
Kaffé	KA	◆			◆	◆
Kaffé Suede	C27	●		●	●	●
Lagoon	E63		●			●
Lagoon Suede	E64		●			●
Linen	D90		●			●
Linen Suede	D93		●			●
Linen W/Cinder Highlight	E99					●
Linen W/Cinder Highlight Suede	F00					●
Linen W/Cocoa Highlight	F01					●
Linen W/Cocoa Highlight Suede	F02					●
Midnight	B69		●			●
Midnight Suede	D42		●			●
Midnight W/Onyx Highlight	F03					●
Midnight W/Onyx Highlight Suede	F04					●
Molasses	E58	◆		◆	◆	◆
Molasses Suede	E59	●		●	●	●
Moonshine	D98		●			●
Moonshine Suede	E02		●			●
Moonshine W/Cinder Highlight	F05					●
Moonshine W/Cinder Highlight Suede	F06					●
Moonshine W/Cocoa Highlight	F07					●
Moonshine W/Cocoa Highlight Suede	F08					●
Natural	NA	◆		◆	◆	◆
Natural Suede	D89	●		●	●	●
Onyx	A21		●			●
Onyx Suede	D44		●			●
Pebble Grey	B83		●			●
Pebble Grey Suede	D45		●			●
Pebble Grey W/Cocoa Highlight	F09					●
Pebble Grey W/Cocoa Highlight Suede	F10					●
Peppercorn	PC	◆			◆	◆
Peppercorn Suede	D53	●		●	●	●
Praline	PR	◆		◆	◆	◆
Praline Suede	C78	●		●	●	●
Praline W/Onyx Glaze	F93			●	●	●
Praline W/Onyx Glaze Suede	F94			●	●	●
Rainfall	E82		●			●
Rainfall Suede	E83		●			●
Riverbed	F66		●			●
Riverbed Suede	F67		●			●
Rocky Mountain Sky	E61		●			●
Rocky Mountain Sky Suede	E62		●			●
Saddle	B81	◆		◆	◆	◆
Saddle Suede	C12	●		●	●	●
Slate	B64	◆		◆	◆	◆
Slate Suede	C72	●		●	●	●
Sunset	SU	◆		◆	◆	◆
Sunset Suede	D49	●		●	●	●
Surfside	E65		●			●
Surfside Suede	E66		●			●
Translucent Driftwood	F72			●	●	●
Translucent Limestone	E52			●	●	●
Translucent Phantom	F70			●	●	●
Unfinished	UF	◆		◆	◆	◆
Vintage Canvas	VC					●
Vintage Canvas Suede	E42					●
Vintage Cottage	F74					●
Vintage Cottage Suede	F75					●
Vintage Dove White	VD					●
Vintage Dove White Suede	E44					●
Vintage Greyloft	B67					●
Vintage Greyloft Suede	E45					●
Vintage Linen	D91					●
Vintage Linen Suede	E46					●
Vintage Midnight	B71					●
Vintage Midnight Suede	E47					●
Vintage Moonshine	D99					●
Vintage Moonshine Suede	E48					●
Vintage Onyx	VO					●
Vintage Onyx Suede	E50					●
Vintage Pebble Grey	B86					●
Vintage Pebble Grey Suede	E51					●
Vintage Warm White	F76					●
Vintage Warm White Suede	F77					●
Warm White	F63		●			●
Warm White Suede	F64		●			●

# Belair

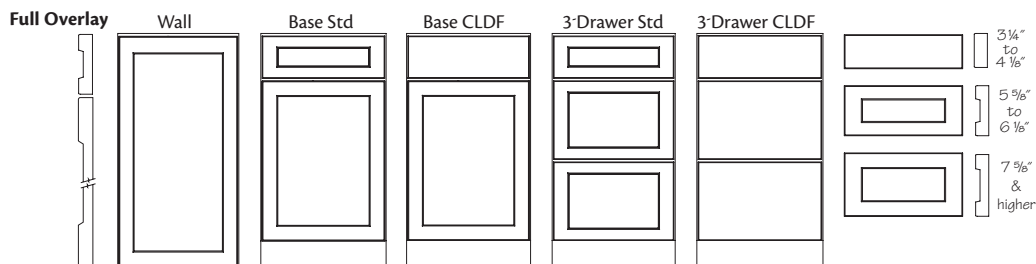
Full Overlay

WP4

White Laminate



Scan to view all Belair doors



- Thermofoil on 3/4" thick MDF substrate
- Square recessed center panel on wall and base doors
- Drawer front varies depending on height
- Classic Drawer Front (CLDF) option available
- Concealed hinge
- Hardware is required
- **Note:** When CLDF option is applied, all drawer fronts will be slab



Remember, all Foil and Thermofoil door styles will have a natural birch interior and a white vinyl exterior. Also, the underside of the cabinets are natural birch. To cover the underside, order an Under Cabinet Panel.

## Decorative Doors & Inserts Available

### Aluminum Frame Glass

- Fresco Brushed Aluminum
- Vetro Brushed Aluminum

### Camed Glass

- Chateau
- Classic Camed Insert
- Palisades
- Penrose
- Victorian
- Yorkshire

### Classic Glass

- Bistro
- Prepared for Glass
- Prism
- Shadow

### Etched Glass

- Crossroads
- Lisbon
- Modern Frosted Insert
- Prairie
- Satina

### Layered Glass

- Antiquity
- Mirage
- Silk
- Wintersday

### Mullion Doors

- Traditional Mullion

### Specialty Inserts

- Chalkboard Insert
- Leather Insert

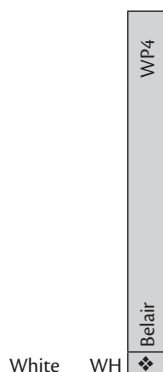
### Textured Glass

- Cascade
- Dolace
- Modern Textured Insert
- Moire
- Ravenna
- Styx
- Vauxhall

## Belair Finishes

❖ Available as Standard

● Premium Upcharge



White WH

# Coleburne

Full Overlay

**AH3L4**

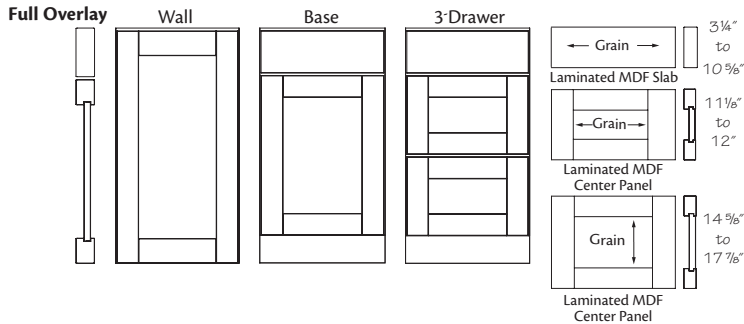
Cannon Grey Wood-Grain Foil

**AH3W4**

Dove White Wood-Grain Foil



Scan to view all Coleburne doors



- Thermofoil door with 3 1/8" stiles and rails
- Recessed center panel door with vertical grain orientation
- Five-piece mortise and tenon door design with foil wrapped lineal pieces and banded edges
- Doors on 6" wide cabinets, 21" deep WEZR and Asymmetrical WEZR cabinets will be a slab design with vertical grain orientation
- Drawer fronts 3 1/4" to 10 5/8" will be slab
- Drawer fronts 11 1/8" to 14 5/8" will be five-piece
- Concealed hinge
- Hardware is required
- **Note:** Cabinet box and most accessories will have a coordinating smooth white finish for Dove White Wood-Grain Foil or an oak texture finish for Cannon Grey Wood-Grain Foil door styles; select accessories will be offered in matching foil material (refer to individual items for specific details)

## Decorative Doors & Inserts Available

### Aluminum Frame Glass

- Fresco Brushed Aluminum
- Vetro Brushed Aluminum

### Camed Glass

- Chateau
- Classic Camed Insert
- Palisades
- Penrose
- Victorian
- Yorkshire

### Classic Glass

- Bistro
- Prepared for Glass
- Prism
- Shadow

### Etched Glass

- Crossroads
- Lisbon
- Modern Frosted Insert
- Prairie
- Satina

### Layered Glass

- Antiquity
- Mirage
- Silk
- Wintersday

### Specialty Inserts

- Chalkboard Insert
- Leather Insert

### Textured Glass

- Cascade
- Dolace
- Modern Textured Insert
- Moire
- Ravenna
- Styx
- Vauxhall

## Coleburne Finishes

❖ Available as Standard

● Premium Upcharge

	AH3L4	AH3W4
Coleburne Cannon Grey	❖	❖
Coleburne Dove White	❖	❖

Cannon Grey Wood Grain D810  
Dove White Wood Grain WH

# Edgemont

Full Overlay

**EWR4**

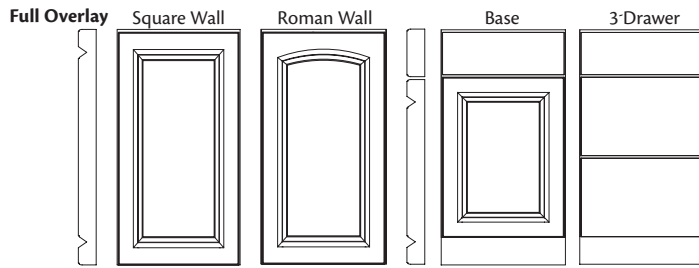
Cathedral White Thermofoil

**EWS4**

White Thermofoil



Scan to view all Edgemont doors



- Thermofoil on 3/4" thick MDF substrate
- Square raised center panel on wall and base doors
- Slab drawer front
- Concealed hinge
- Hardware is required



Remember, all Foil and Thermofoil door styles will have a natural birch interior and a white vinyl exterior. Also, the underside of the cabinets are natural birch. To cover the underside, order an Under Cabinet Panel.

## Decorative Doors & Inserts Available

### Aluminum Frame Glass

- Fresco Brushed Aluminum
- Vetro Brushed Aluminum

### Camed Glass

- Chateau
- Classic Camed Insert
- Palisades
- Penrose
- Victorian
- Yorkshire

### Classic Glass

- Bistro
- Prepared for Glass
- Prism ★
- Shadow

### Etched Glass

- Crossroads
- Lisbon
- Modern Frosted Insert ★
- Prairie
- Satina

### Layered Glass

- Antiquity
- Mirage
- Silk
- Wintersday

### Mullion Doors

- Traditional Mullion

### Specialty Inserts

- Chalkboard Insert
- Leather Insert

### Textured Glass

- Cascade
- Dolace
- Modern Textured Insert
- Moire
- Ravenna
- Styx
- Vauxhall

★ *Not* available in Cathedral door styles

## Edgemont Finishes

- ❖ Available as Standard
- Premium Upcharge

		EWR4	EWS4
		Edgemont Cathedral White	Edgemont White
White	WH	❖	❖

# Hailey

Full Overlay

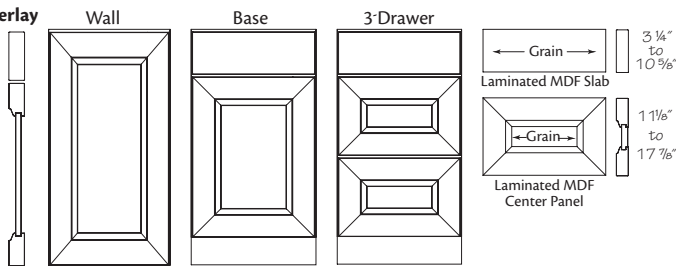
**AH4L4**

Cannon Grey Wood-Grain Foil

**AH4W4**

Dove White Wood-Grain Foil

Full Overlay



Scan to view all Hailey doors

- Thermofoil on 3/4" thick MDF substrate
- Mitered door with 4 1/8" stiles and rails
- Recessed center panel door with horizontal grain orientation
- Doors on 6" wide cabinets, 21" deep WEZR and Asymmetrical WEZR cabinets will be a slab design with vertical grain orientation
- Five-piece mitered construction with foil wrapped lineal pieces
- Drawer fronts 3 1/4" to 10 5/8" will be slab
- Drawer fronts 11 1/8" to 14 5/8" will be five-piece
- Concealed hinge
- Hardware is required
- **Note:** Cabinet box and most accessories will have a coordinating smooth white finish for Dove White Wood-Grain Foil or an oak texture finish for Cannon Grey Wood-Grain Foil door styles; select accessories will be offered in matching foil material (refer to individual items for specific details)

## Decorative Doors & Inserts Available

### Aluminum Frame Glass

- Fresco Brushed Aluminum
- Vetro Brushed Aluminum

### Camed Glass

- Chateau
- Classic Camed Insert
- Palisades
- Penrose
- Victorian
- Yorkshire

### Classic Glass

- Bistro
- Prepared for Glass
- Prism
- Shadow

### Etched Glass

- Crossroads
- Lisbon
- Modern Frosted Insert
- Prairie
- Satina

### Layered Glass

- Antiquity
- Mirage
- Silk
- Wintersday

### Specialty Inserts

- Chalkboard Insert
- Leather Insert

### Textured Glass

- Cascade
- Dolace
- Modern Textured Insert
- Moire
- Ravenna
- Styx
- Vauxhall

## Hailey Finishes

❖ Available as Standard

● Premium Upcharge

	AH4L4	
	AH4W4	
Hailey Cannon Grey		❖
Hailey Dove White		❖
Cannon Grey Wood Grain	D81O	❖
Dove White Wood Grain	WH	❖

# Lessex

Full Overlay

**AH2L4**

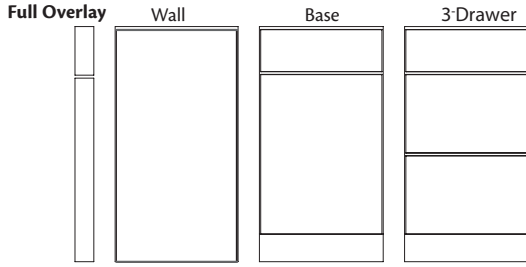
Cannon Grey Wood-Grain Foil

**AH2W4**

Dove White Wood-Grain Foil



Scan to view all Lessex doors



- Thermofoil on 3/4" thick MDF substrate
- Slab with square banded edges on wall & base doors
- Slab drawer front
- Wood grain orientation on door and drawer fronts is vertical; **not** book matched between pieces
- Concealed hinge
- Hardware is required
- **Note:** Cabinet box and most accessories will have a coordinating smooth white finish for Dove White Wood-Grain Foil or an oak texture finish for Cannon Grey Wood-Grain Foil door styles; select accessories will be offered in matching foil material (refer to individual items for specific details)

## Decorative Doors & Inserts Available

### Aluminum Frame Glass

- Fresco Brushed Aluminum
- Vetro Brushed Aluminum

Door Styles

## Lessex Finishes

- ❖ Available as Standard
- Premium Upcharge

		Lessex Cannon Grey	AH2L4
		Lessex Dove White	AH2W4
Cannon Grey Wood Grain	D810	❖	
Dove White Wood Grain	WH	❖	



# Maris

Full Overlay

**AG7L4**

High-Gloss Foil



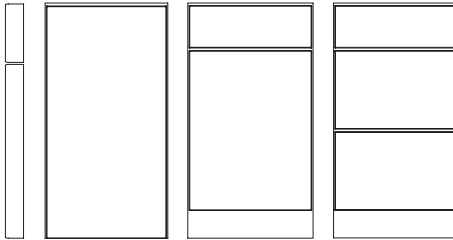
Scan to view all Maris doors

Full Overlay

Wall

Base

3-Drawer



- Thermofoil on 3/4" thick MDF substrate
- Slab with square edges on wall & base doors
- Door edges are banded with matching high-gloss material
- Door backs have a corresponding color in a matte finish
- Slab drawer front
- Concealed hinge
- Hardware is required
- **Note:** The cabinet interior, exterior and face frame supplied in coordinating matte sheen finish as standard
- **Note:** Accessories, except those available in high-gloss, will also have a coordinating matte sheen finish



We recommend ordering Specialty Panels (SPL), Filler Overlays (BFOL, DFOL, TFOL, VFOL, WFOL), Small Universal Molding (SUM8) and Large Universal Molding (LUM8) for a finished, high gloss

look.

## Decorative Doors & Inserts Available

### Aluminum Frame Glass

- Fresco Brushed Aluminum
- Vetro Brushed Aluminum

## Maris Finishes

❖ Available as Standard

● Premium Upcharge



Dove White High Gloss D58 ❖  
 Greyloft High Gloss D59 ❖

# Polar Ridge

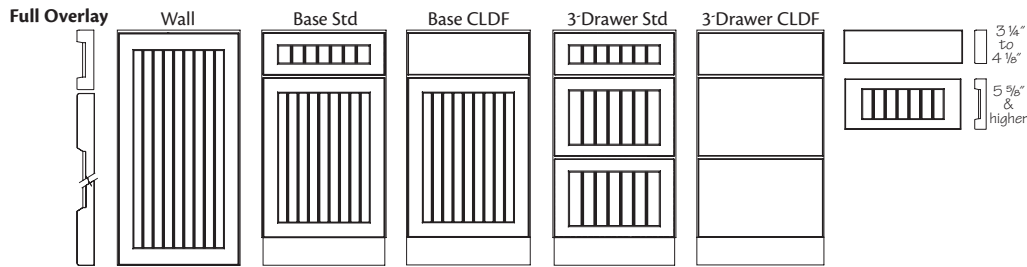
Full Overlay

ND4

White Thermofoil



Scan to view all Polar Ridge doors



- Thermofoil on 3/4" thick MDF substrate
- Square recessed beaded panel on wall and base doors
- Recessed panel beaded drawer front
- Grooves are 1 1/2" on center
- Classic Drawer Front (CLDF) option available
- Concealed hinge
- Hardware is required
- **Note:** When CLDF option is applied, all drawer fronts will be slab



Remember, all Foil and Thermofoil door styles will have a natural birch interior and a white vinyl exterior. Also, the underside of the cabinets are natural birch. To cover the underside, order an Under Cabinet Panel.

## Decorative Doors & Inserts Available

### Aluminum Frame Glass

- Fresco Brushed Aluminum
- Vetro Brushed Aluminum

### Camed Glass

- Chateau
- Classic Camed Insert
- Palisades
- Penrose
- Victorian
- Yorkshire

### Classic Glass

- Bistro
- Prepared for Glass
- Prism
- Shadow

### Etched Glass

- Crossroads
- Lisbon
- Modern Frosted Insert
- Prairie
- Satina

### Layered Glass

- Antiquity
- Mirage
- Silk
- Wintersday

### Mullion Doors

- Traditional Mullion

### Specialty Inserts

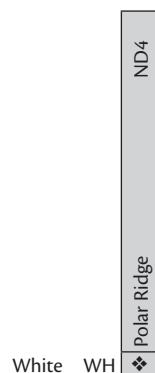
- Chalkboard Insert
- Leather Insert

### Textured Glass

- Cascade
- Dolace
- Modern Textured Insert
- Moire
- Ravenna
- Styx
- Vauxhall

## Polar Ridge Finishes

- ❖ Available as Standard
- Premium Upcharge



# Stanford

Full Overlay

**SWS4**

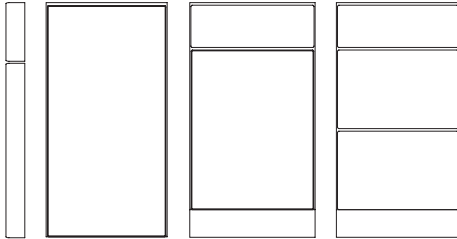
White Thermofoil

Full Overlay

Wall

Base Std

3-Drawer Std



Scan to view all Stanford doors

- Thermofoil on 3/4" thick MDF substrate
- Slab with square edges on wall & base doors
- Slab drawer front
- Concealed hinge
- Hardware is required



Remember, all Foil and Thermofoil door styles will have a natural birch interior and a white vinyl exterior. Also, the underside of the cabinets are natural birch. To cover the underside, order an Under Cabinet Panel.

## Decorative Doors & Inserts Available

### Aluminum Frame Glass

- Fresco Brushed Aluminum
- Vetro Brushed Aluminum

### Camed Glass

- Chateau
- Classic Camed Insert
- Palisades
- Penrose
- Victorian
- Yorkshire

### Classic Glass

- Bistro
- Prepared for Glass
- Prism
- Shadow

### Etched Glass

- Crossroads
- Lisbon
- Modern Frosted Insert
- Prairie
- Satina

### Layered Glass

- Antiquity
- Mirage
- Silk
- Wintersday

### Mullion Doors

- Traditional Mullion

### Specialty Inserts

- Chalkboard Insert
- Leather Insert

### Textured Glass

- Cascade
- Dolace
- Modern Textured Insert
- Moire
- Ravenna
- Styx
- Vauxhall

## Stanford Finishes

- ❖ Available as Standard
- Premium Upcharge

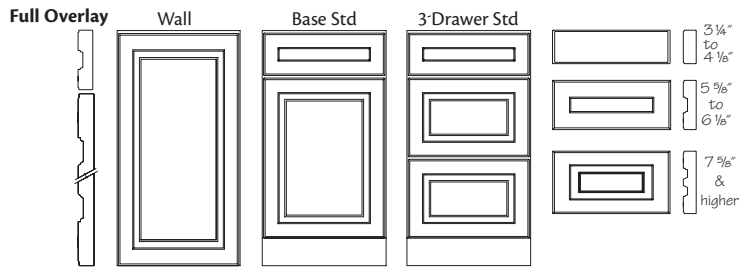


# Summit

Full Overlay

**SHD4**

White Thermofoil



Scan to view all Summit doors

- Thermofoil on 3/4" thick MDF substrate
- Square design has raised center panel on wall and base doors
- Drawer front varies depending on height
- Concealed hinge
- Hardware is required



Remember, all Foil and Thermofoil door styles will have a natural birch interior and a white vinyl exterior. Also, the underside of the cabinets are natural birch. To cover the underside, order an Under Cabinet Panel.

## Decorative Doors & Inserts Available

### Aluminum Frame Glass

- Fresco Brushed Aluminum
- Vetro Brushed Aluminum

### Camed Glass

- Chateau
- Classic Camed Insert
- Palisades
- Penrose
- Victorian
- Yorkshire

### Classic Glass

- Bistro
- Prepared for Glass
- Prism
- Shadow

### Etched Glass

- Crossroads
- Lisbon
- Modern Frosted Insert
- Prairie
- Satina

### Layered Glass

- Antiquity
- Mirage
- Silk
- Wintersday

### Mullion Doors

- Traditional Mullion

### Specialty Inserts

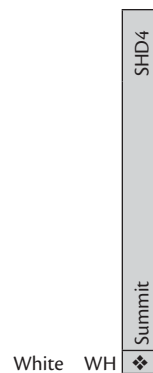
- Chalkboard Insert
- Leather Insert

### Textured Glass

- Cascade
- Dolace
- Modern Textured Insert
- Moire
- Ravenna
- Styx
- Vauxhall

## Summit Finishes

- ❖ Available as Standard
- Premium Upcharge



# Finishes

## Examples of ways to finish ends:



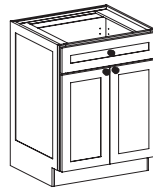
Wood Skin



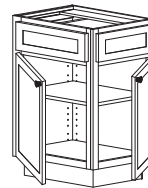
Matching End Panel



Wood Skin with Replacement Door



Integrated End



Operational End



Attached Decorative End

## Finish Terminology:

### End Grain:

End grain surfaces and softer areas of the wood may accept more stain and often appear darker than other surfaces. This is a natural reaction when finishing wood products and potential variances cannot be controlled.

### Joint Lines:

Since wood is in a constant state of expansion and contraction, visible lines are normal at the joints on the cabinet face frames and doors. This does not weaken the finish or the strength of the joint.

### Telegraphing:

Show through or "telegraphing" of wood characteristics may happen when paint is applied to any specie of natural wood. These characteristics, such as open grain, pin holes, knots and mineral streaks, may be visible through the paint. Telegraphing may happen on doors, face frames, moldings, decorative end panels or other decorative enhancements made of natural wood. Please consider this when selling any of our finishes that feature paint as the base technique, including paint with highlight and vintage techniques.

### Warping, Cracking & Proper Humidity:

As a natural characteristic, all wood products contain moisture. Changes in temperature and humidity affect the moisture content in wood, which causes wood to expand or contract. Over time, this expansion or contraction can cause warping and joint cracks to occur, potentially causing permanent deformations, in wood cabinetry.

To help prevent excessive movement in your wood cabinetry, we recommend maintaining a controlled environment of 70 to 75 degrees Fahrenheit and 30% to 50% humidity in the areas where your cabinetry is stored or installed. Environmental conditions cannot be controlled by Masco Cabinetry and the effects of the movement in wood is not considered to be a manufacturing defect and will not be considered a reason for replacement.

See the doors section for door specie information and descriptions.

**Note:** Wood products, including cabinet doors and face frames, are typically affected by environmental conditions. Color variation over time, as well as normal movement due to wood's expansion and contraction is part of the natural beauty of wood. This normal movement may cause hairline cracks in the finish surface at the joints and is considered a normal characteristic of semi-opaque or painted finishes. This will not be considered a reason for product replacement.

**Note:** Individual veneer doors vary in absorption of finishes, especially Stain with Glaze finishes. Also, veneer door styles, which are usually simple door designs, may not contain as much glaze hang-up or highlights as ornate door designs. Therefore, it is recommended that a sample veneer door be viewed in the desired finish before placing a full kitchen order.

**Note:** Based on independent testing, discoloration will occur to doors, drawers and cabinet parts after prolonged exposure to tobacco smoke. This is especially noticeable on white and other lighter finishes. Discoloration due to exposure to smoke is not covered under warranty.

Natural wood characteristics such as gum pockets, streaks and pin knots may be visible, particularly with some of our lighter paints. These characteristics tend to be more pronounced on the backs of our doors and drawers.

**Finish availability may vary by door style. See Finish Availability Chart**

**Stain** (Included as Standard) & **Stain w/Suede** (Available with a 10% upcharge)

\* Indicates new finish

Finish	Standard Topcoat Code	Suede Topcoat Code	WOOD SPECIES						RUSTIC			TOUCH-UP					
			Cherry	EverCore™	Hickory	Maple	Oak	Oak Quartersawn	Rustic Alder	Rustic Hickory	Rustic Maple	Aerosol Can *†▲ 13 oz. can	Paint Quart	Stain Kit ▼ Quart of stain & glaze/highlight	Touch-Up Kit Fill stick & Touch-Up Pen	Touch-Up Pen	Fill Stick ^
Autumn Blush	AB	C21	C				O	O	A			ACAB		QSTAB	PTUKAB	TPAB	FSAB
Baltic	D78	D80	C				O	O	A			ACD78		QSTD78	PTUKD78	TPD78	FSD78
*Barley	E84	E85	C		H	M	O	O	A	H	M	ACE84		QSTE84	PTUKE84	TPE84	FSE84
Cabernet	CT	C80	C			M			A		M	ACCT		QSTCT	PTUKCT	TPCT	FSCT
Cannon Grey	D81	D83	C			M	O	O	A		M	ACD81		QSTD81	PTUKD81	TPD81	FSD81
Chestnut	CN	C23				M					M	ACCN		QSTCN	PTUKCN	TPCN	FSCN
Chocolate	CC	D87	C			M			A		M	ACCZ		QSTCC	PTUKCZ	TPCZ	FSCZ
Cinnamon	CA	C74	C			M			A		M	ACCA		QSTCA	PTUKCA	TPCA	FSCA
Cognac	CO	D85	C		H	M	O	O	A	H	M	ACCO		QSTCO	PTUKCO	TPCO	FSCO
Fawn	FN	D51					O	O				ACFN		QSTFN	PTUKFN	TPFN	FSFN
Ginger	C88	C19	C		H	M	O	O	A	H	M	ACGN		QSTC19	PTUKGN	TPGN	FSGN
Honey Spice	HS	D88	C		H	M	O	O	A	H	M	ACHS		QSTHS	PTUKHS	TPHS	FSHS
Husk	B82	C13	C		H		O	O	A	H	M	ACHK		QSTHK	PTUKHK	TPHK	FSHK
Kaffé	KA	C27	C		H	M	O	O	A	H	M	ACKA		QSTKA	PTUKKA	TPKA	FSKA
Molasses	E58	E59	C		H	M	O	O	A	H	M	ACE58		QSTE58	PTUKE58	TPE58	FSE58
Natural	NA	D89	C		H	M	O	O	A	H	M	ACNA		QSTNA	PTUKNA	TPNA	FSNA
Peppercorn	PC	D53	C			M	O	O	A		M	ACPC		QSTPC	PTUKPC	TPPC	FSPC
Praline	PR	C78	C		H	M	O	O	A	H	M	ACPR		QSTPR	PTUKPR	TPPR	FSPR
Saddle	B81	C12	C		H	M	O	O	A	H	M	ACSAD		QSTSAD	PTUKSAD	TPSAD	FSSAD
Slate	B64	C72	C		H	M	O	O		H	M	ACSL		QSTSL	PTUKSL	TPSL	FSSL
Sunset	SU	D49	C		H				A	H		ACSU		QSTSU	PTUKSU	TPSU	FSSU
Unfinished	UF	—	C		H	M	O	O	A	H	M						

\* Suede topcoat aerosol code is **ACSDE**;  
 Natural topcoat aerosol code is **ACNA**  
 ▲ Use Suede aerosol with Suede finishes  
 ▼ Suede topcoat quart code is **QSTSDE**;  
 Natural topcoat quart code is **QSTNA**  
 ^ Interior touch-up code is **FSINT**

**Stain Finish Process**

Stained finishes truly showcase the natural beauty and characteristics inherent in each individual wood species. Based on the stain color chosen, a toner may be applied to the wood to equalize natural sap levels. The stain color is applied and hand-rubbed to ensure full and equal color coverage for doors and drawer fronts

**Standard topcoat:** As a final step, our oven-cured DuraKraft Plus™ topcoat is applied to provide a beautiful and durable furniture finish.

**Suede topcoat:** As a final step, a matte sheen, Suede DuraKraft Plus™ topcoat is applied that softens the overall color tone, giving a more subtle and sophisticated appearance to cabinetry.

**- Unfinished**

Our cabinetry, moldings and accessories are available unfinished. If you select the unfinished option, you **must** order unfinished wood veneer skins, plywood construction (PE) or plywood ends (PEB) for all cabinets with exposed ends, otherwise, Natural Oak vinyl ends will be supplied. Unfinished cabinetry will be supplied with standard vinyl interior. To get unfinished wood veneer interiors, you **must** order each cabinet with a Matching Interior (MI) option other than Matching Interior Standard Construction-Vinyl (MIV). On cabinets that are standard MIV, you **must** order each cabinet with a Matching Interior option other than MIV. Order each cabinet with Furniture Plywood Ends (FPED) or place the cabinets on an order with All Plywood Construction (APC).

**Note:** Unfinished cabinets lack the protection of a finish coat and are more susceptible to damage from variations in temperature and humidity. For this reason, we do **not** recommend or warranty this option

**Note:** If ordering unfinished cabinets and you intend to stain them, note that with certain models glass may be permanently attached with silicon. This will result in uneven color or inability to stain all surface areas. Order cabinets without glass in order to achieve even staining

Unfinished Cabinets will not meet section 8 and 9 of the KCMA standard (ANSI/KCMA A161.1-2017)

**Stain w/Glaze** (Available with a 15% upcharge) & **Stain w/Glaze Suede** (Available with a 25% upcharge)

Finish	Standard Topcoat Code	Suede Topcoat Code	WOOD SPECIES									TOUCH-UP						
			Cherry	EverCore™	Hickory	Maple	Oak	Oak Quartersawn	Rustic Alder	Rustic Hickory	Rustic Maple	Aerosol Can*†▲ 13 oz. can	Paint Quart	Stain Kit▼ Quart of stain & glaze/highlight	Touch-Up Kit* Fill stick & Touch-Up Pen	Touch-Up Pen* Touch-Up Pen	Fill Stick^	
Autumn Blush w/Onyx Glaze	F81	F82	C				O	O	A				ACAB		QSTABOG	PTUKAB	TPAB	FSAB
Cabernet w/Onyx Glaze	F83	F84	C						A				ACCT		QSTCTOG	PTUKCT	TPCT	FSCT
Chestnut w/Onyx Glaze	F85	F86				M					M		ACCN		QSTCNOG	PTUKCN	TPCN	FSCN
Chocolate w/Ebony Glaze	F87	F88	C						A				ACEG		QSTEG	PTUKF87	TPEG	FSEG
Cinnamon w/Onyx Glaze	F89	F90	C			M			A		M		ACCA		QSTCAOG	PTUKCA	TPCA	FSCA
Ginger w/Sable Glaze	F91	F92	C		H	M	O	O	A	H	M		ACGN		QSTGN	PTUKGN	TPGN	FSGN
Praline w/Onyx Glaze	F93	F94			H	M				H	M		ACPR		QSTPROG	PTUKPR	TPPR	FSPR

\* Suede topcoat aerosol code is **ACSDE**;  
 Natural topcoat aerosol code is **ACNA**  
 † Matches base color only  
 ▲ Use Suede aerosol with Suede finishes

^ Interior touch-up code is **FSINT**

**Stain w/Glaze Finish Process**

Glazed finishes add richness and warmth to wood surfaces.

The base stain or paint finish is applied, followed by the application of a glaze finish to the entire door or drawer front to add richness and warmth to wood surfaces.

The glaze is then hand-wiped to create soft, light “hang-up” in profiles and recesses of the wood.

A glaze highlight is hand-applied to detail the recesses of applicable door and drawer designs.

Each door design, wood species and glaze finish has its own charming character and will create a unique, one-of-a-kind look.

Natural wood characteristics such as gum pockets, streaks and pin knots may be visible, particularly with some of our lighter paints. These characteristics tend to be more pronounced on the backs of our doors and drawers

**Standard topcoat:** As a final step, our oven-cured DuraKraft Plus™ topcoat is applied to provide a beautiful and durable furniture finish.

**Suede topcoat:** As a final step, a matte sheen, Suede DuraKraft Plus™ topcoat is applied that softens the overall color tone, giving a more subtle and sophisticated appearance to cabinetry.

## Translucent Stain (Available with an 10% upcharge)

\* Indicates new finish

Finish	Code	WOOD SPECIES						RUSTIC			TOUCH-UP					
		Cherry	EverCore™	Hickory	Maple	Oak	Oak Quartersawn	Rustic Alder	Rustic Hickory	Rustic Maple	Aerosol Can* 13 oz. can	Paint Quart	Stain Kit†▼ Quart of stain & glaze/highlight	Touch-Up Kit† Fill stick & Touch-Up Pen	Touch-Up Pen†	Fill Stick^
*Translucent Driftwood	F72			H	M	O	O		H	M	ACF72		QSTF72	PTUKF72	TPF72	FSF72
*Translucent Limestone	E52			H	M	O	O		H	M	ACE52		QSTE52	PTUKE52	TPE52	FSE52
*Translucent Phantom	F70			H	M	O	O		H	M	ACF70		QSTF70	PTUKF70	TPF70	FSF70

\* Suede topcoat aerosol code is **ACSDE**;  
Natural topcoat aerosol code is **ACNA**

† Matches base color only

▼ Suede topcoat quart code is **QSTSDE**;  
Natural topcoat quart code is **QSTNA**

^ Interior touch-up code is **FSINT**

### Translucent Stain Finish Process

Translucent finishes allow just the right amount of natural beauty and characteristics inherent in each individual wood species show through. A semi-opaque toner is applied to the wood to equalize natural sap levels. The final finish color is applied and hand rubbed to ensure full and equal color coverage for doors and drawer fronts.

As a final step, a matte sheen, Suede DuraKraft Plus™ topcoat is applied that softens the overall color tone, giving a more subtle and sophisticated appearance to cabinetry

## Distressed Translucent Stain (Available with a 25% upcharge)

\* Indicates new finish

Finish	Code	WOOD SPECIES						RUSTIC			TOUCH-UP					
		Cherry	EverCore™	Hickory	Maple	Oak	Oak Quartersawn	Rustic Alder	Rustic Hickory	Rustic Maple	Aerosol Can* 13 oz. can	Paint Quart	Stain Kit†▼ Quart of stain & glaze/highlight	Touch-Up Kit† Fill stick & Touch-Up Pen	Touch-Up Pen†	Fill Stick^
*Distressed Translucent Driftwood	F73			H	M	O			H	M	ACF72		QSTF72	PTUKF72	TPF72	FSF72
*Distressed Translucent Limestone	E53			H	M	O			H	M	ACE52		QSTE52	PTUKE52	TPE52	FSE52
*Distressed Translucent Phantom	F71			H	M	O			H	M	ACF70		QSTF70	PTUKF70	TPF70	FSF70

\* Suede topcoat aerosol code is **ACSDE**;  
Natural topcoat aerosol code is **ACNA**

† Matches base color only

▼ Suede topcoat quart code is **QSTSDE**;  
Natural topcoat quart code is **QSTNA**

^ Interior touch-up code is **FSINT**

### Distressed Translucent Stain Finish Process

Our distressing technique evokes the look of reclamation and restoration.

These effects are hand applied artisan methods that are random and inconsistent in appearance. The techniques are designed to replicate the look of reclaimed wood that has been repurposed. The effects include edge rasping, worm holes, edge burnishing, softened corners, random industrial distressing and a suede topcoat.

The multi-step process begins with a light, artistic, over sanding technique applied to corners and relief areas of doors and drawers. Panels and profiles of unfinished doors and drawer fronts receive randomly applied worm holing, edge rasping and distressing techniques.

Following the distressing techniques, the Translucent stain finish processes are applied.

As a final step a matte sheen, Suede DuraKraft Plus™ topcoat is applied to complete the distressed look



## Distressed Stain (Available with a 25% upcharge)

\* Indicates new finish

Finish	Code	WOOD SPECIES						RUSTIC			TOUCH-UP					
		Cherry	EverCore™	Hickory	Maple	Oak	Oak Quartersawn	Rustic Alder	Rustic Hickory	Rustic Maple	Aerosol Can*† 13 oz. can	Paint Quart	Stain Kit‡ Quart of stain & glaze/highlight	Touch-Up Kit Fill stick & Touch-Up Pen	Touch-Up Pen	Fill Stick^
Distressed Autumn Blush	C22	C				O	O	A			ACAB		QSTAB	PTUKAB	TPAB	FSAB
Distressed Baltic	D79	C				O	O	A			ACD78		QSTD78	PTUKD78	TPD78	FSD78
*Distressed Barley	E86	C		H	M	O	O	A	H	M	ACE84		QSTE84	PTUKE84	TPE84	FSE84
Distressed Cabernet	C87	C			M			A		M	ACCT		QSTCT	PTUKCT	TPCT	FSCT
Distressed Cannon Grey	D82	C			M	O	O	A		M	ACD81		QSTD81	PTUKD81	TPD81	FSD81
Distressed Chestnut	C24				M					M	ACCN		QSTCN	PTUKCN	TPCN	FSCN
Distressed Chocolate	D86	C			M			A		M	AC CZ		QSTCC	PTUKCZ	TPCZ	FSCZ
Distressed Cinnamon	C75	C			M			A		M	ACCA		QSTCA	PTUKCA	TPCA	FSCA
Distressed Cognac	D84	C		H	M	O	O	A	H	M	ACCO		QSTCO	PTUKCO	TPCO	FSCO
Distressed Fawn	D52					O	O				ACFN		QSTFN	PTUKFN	TPFN	FSFN
Distressed Ginger	C20	C		H	M	O	O	A	H	M	ACGN		QSTC19	PTUKGN	TPGN	FSGN
Distressed Husk	C15	C		H	M	O	O	A	H	M	ACHK		QSTHK	PTUKHK	TPHK	FSHK
Distressed Kaffé	C28	C		H	M	O	O	A	H	M	ACKA		QSTKA	PTUKKA	TPKA	FSKA
Distressed Molasses	E60	C		H	M	O	O	A	H	M	ACE58		QSTE58	PTUKE58	TPE58	FSE58
Distressed Peppercorn	C86	C			M	O	O	A		M	ACPC		QSTPC	PTUKPC	TPPC	FSPC
Distressed Praline	C79	C		H	M	O	O	A	H	M	ACPR		QSTPR	PTUKPR	TPPR	FSPR
Distressed Saddle	C14	C		H	M	O	O	A	H	M	ACSAD		QSTSAD	PTUKSAD	TPSAD	FSSAD
Distressed Slate	C73	C		H	M	O	O		H	M	ACSL		QSTSL	PTUKSL	TPSL	FSSL
Distressed Sunset	D50	C		H				A	H		ACSU		QSTSU	PTUKSU	TPSU	FSSU

\* Suede topcoat aerosol code is **ACSDE**;

Natural topcoat aerosol code is **ACNA**

† Matches base color only

‡ Suede topcoat quart code is **QSTSDE**;

Natural topcoat quart code is **QSTNA**

^ Interior touch-up code is **FSINT**

### Distressed Stain Finish Process

Our distressing technique evokes the look of reclamation and restoration. These effects are hand applied artisan methods that are random and inconsistent in appearance. The techniques are designed to replicate the look of reclaimed wood that has been repurposed. The effects include edge rasping, worm holes, edge burnishing, softened corners, random industrial distressing and a suede top coat.

The multi-step process begins with a light, artistic, over sanding technique applied to corners and relief areas of doors and drawers. Panels and profiles of unfinished doors and drawer fronts receive randomly applied worm holing, edge rasping, and distressing techniques.

Next, a heavy, dark burnishing stain is artistically applied to all corners and raised portions of the doors and drawer fronts.

Following the burnishing process, a coat of base stain color is applied then hand wiped to reveal the beauty and inherent natural characteristics of the wood

As a final step, a matte sheen, Suede DuraKraft Plus™ topcoat is applied that softens the overall color tone, giving a more subtle and sophisticated appearance to cabinetry.

**Paint** (Available with a 15% upcharge) & **Paint w/Suede** (Available with a 19% upcharge)

\* Indicates new finish

Finish	Standard Topcoat Code	Suede Topcoat Code	WOOD SPECIES									TOUCH-UP						
			Cherry	EverCore™	Hickory	Maple	Oak	Oak Quartersawn	Rustic Alder	Rustic Hickory	Rustic Maple	Aerosol Can*† 13 oz. can	Paint Quart*▲	Stain Kit▼ Quart of stain & glaze/highlight	Touch-Up Kit*▲ Fill stick & Touch-Up Pen	Touch-Up Pen	Fill Stick*^	
Bonsai	E69	E70		D		M							ACE69	QPE69		PTUKE69	TPE69	FSE69
Burmese	E67	E68		D		M							ACE67	QPE67		PTUKE67	TPE67	FSE67
*Camel	F68	F69		D		M							ACF68	QPF68		PTUKF68	TPF68	FSF68
Canvas	CV	D37		D		M							ACCV	QPCV		PTUKCV	TPCV	FSCV
*Cottage	E80	E81		D		M							ACE80	QPE80		PTUKE80	TPE80	FSE80
Dove White	DW	D40		D		M							ACWH	QPWH		PTUKWH	TPWH	FSWH
Greyloft	B65	D41		D		M							ACGY	QPGY		PTUKGY	TPGY	FSGY
Lagoon	E63	E64		D		M							ACE63	QPE63		PTUKE63	TPE63	FSE63
Linen	D90	D93		D		M							ACD90	QPD90		PTUKD90	TPD90	FSD90
Midnight	B69	D42		D		M							ACMD	QPMD		PTUKMD	TPMD	FSMD
Moonshine	D98	E02		D		M							ACD98	QPD98		PTUKD98	TPD98	FSD98
Onyx	A21	D44		D		M	O	O					ACON	QPON		PTUKON	TPON	FSON
Pebble Grey	B83	D45		D		M							ACPBG	QPPBG		PTUKPBG	TPPBG	FSPBG
*Rainfall	E82	E83		D		M							ACE82	QPE82		PTUKE82	TPE82	FSE82
*Riverbed	F66	F67		D		M							ACF66	QPF66		PTUKF66	TPF66	FSF66
Rocky Mountain Sky	E61	E62		D		M							ACE61	QPE61		PTUKE61	TPE61	FSE61
Surfside	E65	E66		D		M							ACE65	QPE65		PTUKE65	TPE65	FSE65
*Warm White	F63	F64		D		M							ACF63	QPF63		PTUKF63	TPF63	FSF63

\* Suede topcoat aerosol code is **ACSDE**;  
 Natural topcoat aerosol code is **ACNA**  
 ▲ Use Suede aerosol with Suede finishes  
 ▼ Suede topcoat quart code is **QSTSDE**;  
 Natural topcoat quart code is **QSTNA**  
 ^ Interior touch-up code is **FSINT**

**Painted Finish Process**

Painted finishes feature rich, beautiful color coating the wood, adding rich depth to your selected profile.

Paint is applied utilizing a spray application process to, EverCore™, Maple or Oak.

EverCore™ is a mechanically compressed wood fiber material that reacts less to environmental conditions than other hardwood materials. It is less susceptible to expansion and contractions that can cause joints to separate showing hairline cracks in painted products. It also provides a more consistent and smooth surface, eliminating the appearance of naturally occurring wood characteristics such as grain patterns, knots or mineral streaks.

For a hardwood option, most painted surfaces are available in Maple due to the more uniform appearance and smooth, clean characteristics of this wood. Since wood naturally expands and contracts, you may see hairline separation in the finish surface at the joints. Joint lines are normal and do **not** affect the strength of the door's construction. Alternative materials may be used in the construction of the door and drawer fronts to minimize the environmental effects of joints and panels.

Natural wood characteristics such as gum pockets, streaks and pin knots may be visible, particularly with some of our lighter paints. These characteristics tend to be more pronounced on the backs of our doors and drawers

**Standard topcoat:** As a final step, our oven-cured DuraKraft Plus™ topcoat is applied to provide a beautiful and durable furniture finish.

**Suede topcoat:** As a final step, a matte sheen, Suede DuraKraft Plus™ topcoat is applied that softens the overall color tone, giving a more subtle and sophisticated appearance to cabinetry.

**Paint w/Highlight** (Available with a 19% upcharge) & **Paint w/Highlight Suede** (Available with a 25% upcharge)

\* Indicates new finish

Finish	Standard Topcoat Code	Suede Topcoat Code	WOOD SPECIES				RUSTIC				TOUCH-UP						
			Cherry	EverCore™	Hickory	Maple	Oak	Oak Quartersawn	Rustic Alder	Rustic Hickory	Rustic Maple	Aerosol Can <sup>*†▲</sup> 13 oz. can	Paint Quart	Stain Kit <sup>▼</sup> Quart of stain & glaze/highlight	Touch-Up Kit <sup>*</sup> Fill stick & Touch-Up Pen	Touch-Up Pen <sup>*</sup>	Fill Stick <sup>^</sup>
*Canvas w/Cinder Highlight	E87	E88				M						ACCV	QPE87		PTUKCV	TPCV	FSCV
*Canvas w/Cocoa Highlight	E89	E90				M						ACCV	QPE89		PTUKCV	TPCV	FSCV
*Dove White w/Cinder Highlight	E93	E94				M						ACWH	QPE93		PTUKWH	TPWH	FSWH
*Dove White w/Cocoa Highlight	E95	E96				M						ACWH	QPE95		PTUKWH	TPWH	FSWH
*Greyloft w/Sable Highlight	E97	E98				M						ACGY	QPE97		PTUKGY	TPGY	FSGY
*Linen w/Cinder Highlight	E99	F00				M						ACD90	QPE99		PTUKD90	TPD90	FSD90
*Linen w/Cocoa Highlight	F01	F02				M						ACD90	QPF01		PTUKD90	TPD90	FSD90
*Midnight w/Onyx Highlight	F03	F04				M						ACMD	QPF03		PTUKMD	TPMD	FSMD
*Moonshine w/Cinder Highlight	F05	F06				M						ACD98	QPF05		PTUKD98	TPD98	FSD98
*Moonshine w/Cocoa Highlight	F07	F08				M						ACD98	QPF07		PTUKD98	TPD98	FSD98
*Pebble Grey w/Cocoa Highlight	F09	F10				M						ACPBG	QPF09		PTUKPBG	TPPBG	FSPBG

- \* Suede topcoat aerosol code is **ACSDE**;  
Natural topcoat aerosol code is **ACNA**
- † Matches base color only
- ▼ Suede topcoat quart code is **QSTSDE**;  
Natural topcoat quart code is **QSTNA**
- ▲ Use Suede aerosol with Suede finishes
- ^ Interior touch-up code is **FSINT**

**Paint w/Highlight Finish Process**

Highlight finishes add richness and grandeur to any room in the home.

A base paint is applied followed by hand-applied highlights to detail the recesses of applicable door and drawer designs. Each door design, wood species and highlight finish has its own charming character and will create a unique, one-of-a-kind look.

Natural wood characteristics such as gum pockets, streaks and pin knots may be visible, particularly with some of our lighter paints. These characteristics tend to be more pronounced on the backs of our doors and drawers.

**Standard topcoat:** As a final step, our oven-cured DuraKraft Plus™ topcoat is applied to provide a beautiful and durable furniture finish.

**Suede topcoat:** As a final step, a matte sheen, Suede DuraKraft Plus™ topcoat is applied that softens the overall color tone, giving a more subtle and sophisticated appearance to cabinetry.

**Vintage Paint** (Available with a 25% upcharge) & **Vintage Paint w/Suede** (Available with a 25% upcharge)

\* Indicates new finish

Finish	Standard Topcoat Code	Suede Topcoat Code	WOOD SPECIES						RUSTIC			TOUCH-UP				
			Cherry	EverCore™	Hickory	Maple	Oak	Oak Quartersawn	Rustic Alder	Rustic Hickory	Rustic Maple	Aerosol Can*†▲ 13 oz. can	Paint Quart	Stain Kit▼ Quart of stain & glaze/highlight	Touch-Up Kit* Fill stick & Touch-Up Pen	Touch-Up Pen* Touch-Up Pen
Vintage Canvas	VC	E42	C								ACCV	QPCV		PTUKCV	TPCV	FSCV
*Vintage Cottage	F74	F75	C								ACE80	QPE80		PTUKE80	TPE80	FSE80
Vintage Dove White	VD	E44	C								ACWH	QPWH		PTUKWH	TPWH	FSWH
Vintage Greyloft	B67	E45	C								ACGY	QPGY		PTUKGY	TPGY	FSGY
Vintage Linen	D91	E46	C								ACD90	QPD90		PTUKD90	TPD90	FSD90
Vintage Midnight	B71	E47	C								ACMD	QPMD		PTUKMD	TPMD	FSMD
Vintage Moonshine	D99	E48	C								ACD98	QPD98		PTUKD98	TPD98	FSD98
Vintage Onyx	VO	E50	C								ACON	QPON		PTUKON	TPON	FSON
Vintage Pebble Grey	B86	E51	C								ACPBG	QPPBG		PTUKPBG	TPPBG	FSPBG
*Vintage Warm White	F76	F77	C								ACF63	QPF63		PTUKF63	TPF63	FSF63

\* Suede topcoat aerosol code is **ACSDE**;  
 Natural topcoat aerosol code is **ACNA**  
 †Matches base color only  
 ▲Use Suede aerosol with Suede finishes  
 ▼ Suede topcoat quart code is **QSTSE**;  
 Natural topcoat quart code is **QSTNA**  
 ^Interior touch-up code is **FSINT**

**Vintage Finish Process**

Vintage finishes give the appearance of heirloom cabinetry that has been well loved and used.

This multi-step process begins with an artistic over-sanding technique applied to corners and relief areas, creating the aged look of fine furniture.

Unfinished doors and drawer heads receive randomly applied wormholes and compression marks to add additional distressing.

Next, several coats of paint finish are applied.

The corners and edges of doors and drawers are over-sanded for a second time, revealing the beauty of natural Cherry wood.

Because this process features distressing, the detail and look will vary from piece to piece

**Standard topcoat:** As a final step, our oven-cured DuraKraft Plus™ topcoat is applied to provide a beautiful and durable furniture finish.

**Suede topcoat:** As a final step, a matte sheen, Suede DuraKraft Plus™ topcoat is applied that softens the overall color tone, giving a more subtle and sophisticated appearance to cabinetry.

Available on select Cherry door styles. Visible knots and pinholes are natural characteristics found in Cherry wood, which accentuate the Vintage finish process. These characteristics are **not** considered to be product defects.

Maple or other materials may be used in other cabinet components and accessories to help eliminate the appearance of knots and pinholes in pieces where the Vintage process is **not** applied

**Foils** (Included as Standard)

Finish	Code	FOILS			TOUCH-UP					
		High-Gloss Foil	Thermofoil	Wood-Grain Foil	Aerosol Can <sup>*†</sup> 13 oz. can	Paint Quart <sup>*†</sup>	Stain Kit <sup>†▼</sup> Quart of stain & glaze/highlight	Touch-Up Kit <sup>*†</sup> Fill stick & Touch-UP Pen	Touch-Up Pen <sup>*†</sup>	Fill Stick <sup>*†^</sup>
Dove White High-Gloss	D58L	•			ACWH	QPWH		PTUKWH	TPWH	FSWH
Greyloft High-Gloss	D59L	•			ACGY	QPGY		PTUKGY	TPGY	FSGY
White Thermofoil	WH		•		ACWH	QPWH		PTUKWH	TPWH	FSWH
Cannon Grey Wood Grain	D81O			•	ACD81		QSTD81	PTUKD81	TPD81	FSD81
Dove White Wood Grain	WH			•	ACWH	QPWH		PTUKWH	TPWH	FSWH

- \* Cannot be used to touch up Foil door styles; matte sheen will match box and accessories, which are standard sheen; Natural topcoat aerosol code is **ACNA**
- † Matches base color only
- ▼ Suede topcoat quart code is **QSTSDE**;  
Natural topcoat quart code is **QSTNA**
- ^ Interior touch-up code is **FSINT**

## Cabinet Care Kit

### CCK



- Kit includes: 8 oz. Polish and Cleaner; 12" x 12" Dusting Cloth and Polish/Cleaner Cloth



For complete care of your cabinets, we recommend ordering the Touch-Up in the cabinet color(s). If your design uses Whisper Touch™ Hinges, you may also want to order the Whisper Touch™ Angle Restrictor Clip (WTHARC)

---

## Polish

### KMP

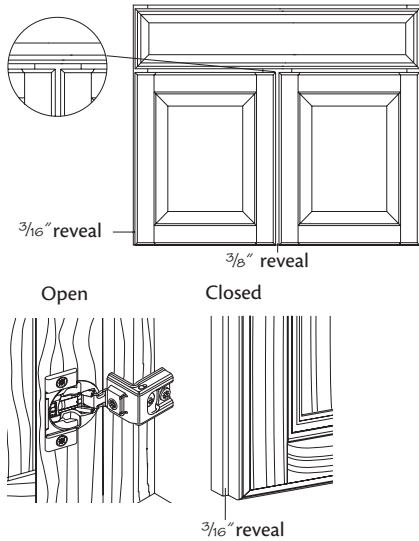


- 16 oz. bottle
- Industrial grade polish for wood, brass and vinyl

# Cabinet Specs

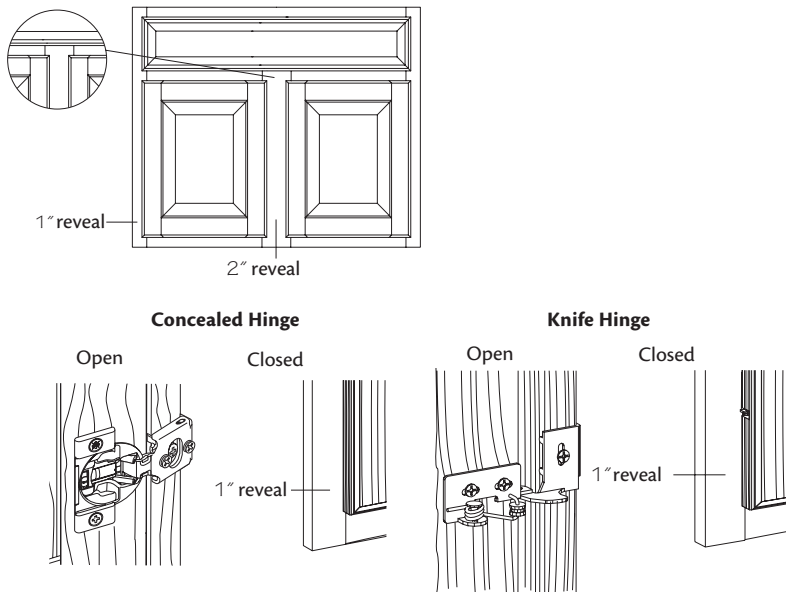
Material dimensions listed may vary slightly from actual dimensions of the product.

## Full Overlay - Concealed Hinges



- Whisper Touch™ hinge features an integrated mechanism that closes doors softly and quietly and is adjustable six ways for perfect alignment
- **Note:** Door styles with square outside edges, including aluminum frame decorative doors, are unable to be opened simultaneously on adjacent cabinets because the doors will rub together. This is a common occurrence due to the sizing of full overlay doors

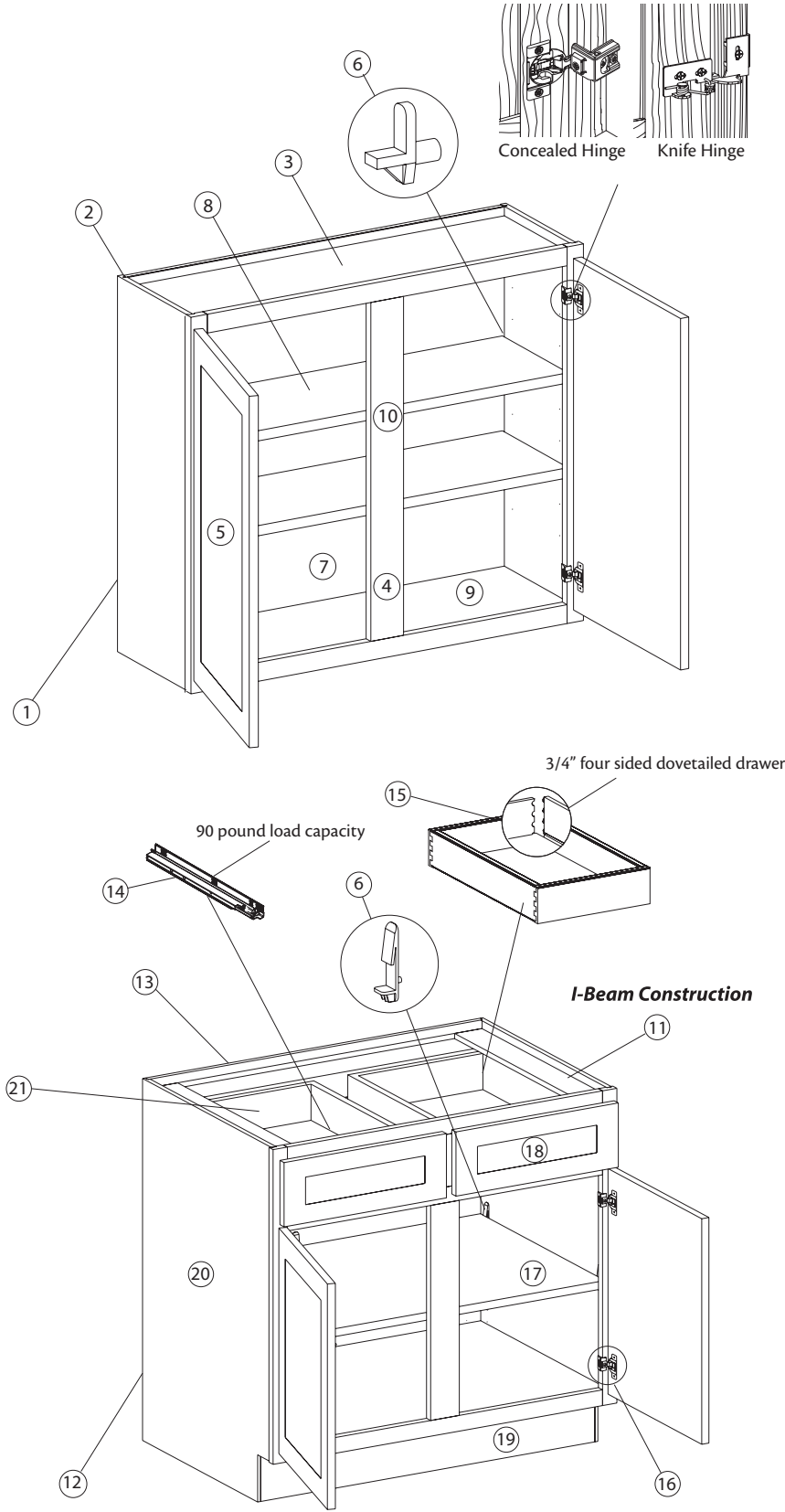
## 1/2" Overlay - Concealed or Knife Hinge



- Whisper Touch™ hinge features an integrated mechanism that closes doors softly and quietly and is adjustable six ways for perfect alignment
- Knife hinge capable of opening 180° and is only available on 1/2" overlay door styles (see list below)
- Knife Hinge is available in the following door styles: Geneva Cherry Roman-Half, Geneva Cherry Square-Half, Northwood and Stratford,

## Cabinet Specifications

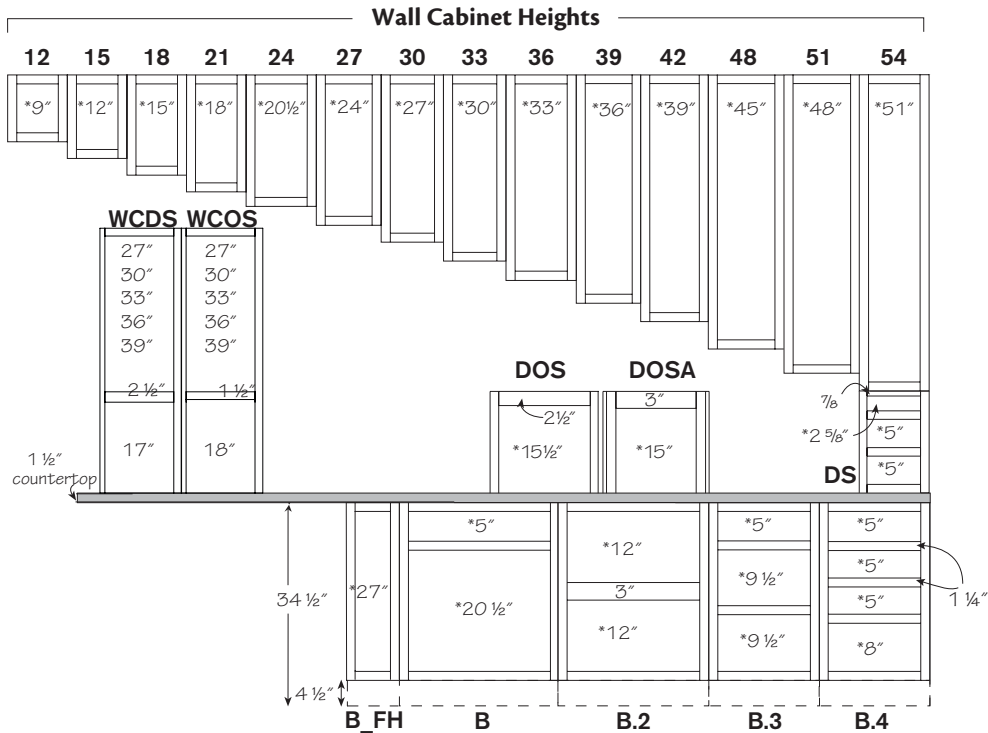
**KraftMaid® Cabinetry** is also available in an All Plywood (APC) Option  
See *Construction Options* section for a complete description.



- (1) Vinyl clad back panel
- (2) 1/2" wood concealed hanging rail
- (3) 1/2" Natural Birch vinyl clad ceiling panel
- (4) 3/4" solid hardwood front frame constructed using industrial grade glue and hardened steel fasteners. Front frame species complements selected door style
- (5) Extensive and unique door style and wood species selection. Solid and wood veneer construction available.
- (6) Satin chrome shelf rests for all kitchen wall and furniture cabinets. Easily adjustable positive locking shelf clips for all base, tall and vanity cabinets
- (7) Natural Birch vinyl interior
- (8) 3/4" fully adjustable Natural Birch vinyl clad shelving standard feature in wall, base and tall cabinets
- (9) 1/2" Natural Birch vinyl clad cabinet bottom
- (10) 14-step furniture process featuring hand-wiped stain with one of the finest wood finishes available in the cabinet industry
- (11) Full-depth I-beam braces provide stability and convenient anchor points for countertop
- (12) 3/8" Natural Birch vinyl clad base back panel
- (13) 3/4" solid wood base installation rail
- (14) Standard drawer runner suspension system features smooth, ball bearing operation with a 90 lbs. load capacity. Soft close runner has an integrated drawer buffer that engages two inches from closing and applies resistance, giving a soft, controlled closing
- (15) 3/4" full-depth solid wood dovetailed drawer featuring four sided construction and 3/16" plywood bottom
- (16) Self-closing, concealed, wrap-around adjustable or optional knife hinges (KH)
- (17) Full-depth, fully adjustable 3/4" Natural Birch vinyl clad shelving
- (18) Drawer heads are solid hardwood or laminate to complement each door style
- (19) Fully closed toe space area
- (20) 1/2" end panels with wood grain vinyl interior and matching exterior. Also available with optional 1/2" or 3/4" plywood end panels. Wood grain vinyl interior or wood veneer interior available. Unless noted, plain sawn end panels will be supplied for quartersawn door styles
- (21) Standard drawer boxes are 4" high
- **Note:** Unless noted, cabinet depth does *not* include doors or drawer fronts

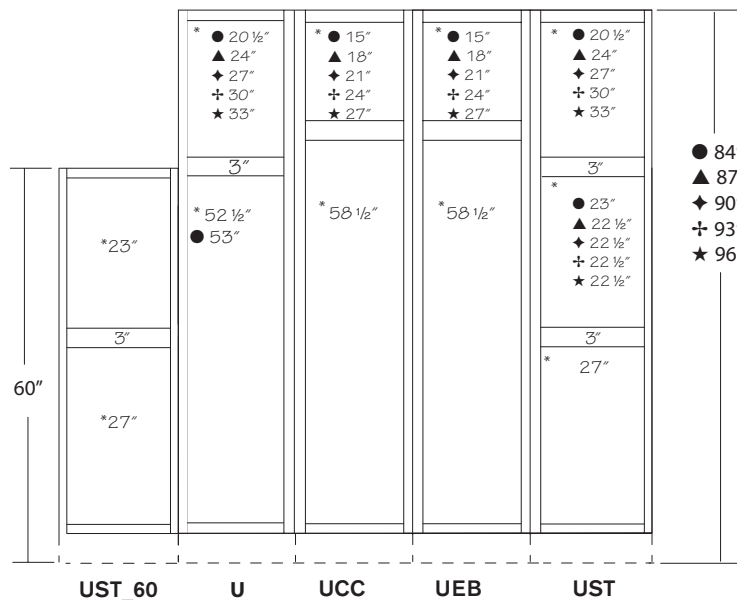


## Wall and Base Frame Dimensions



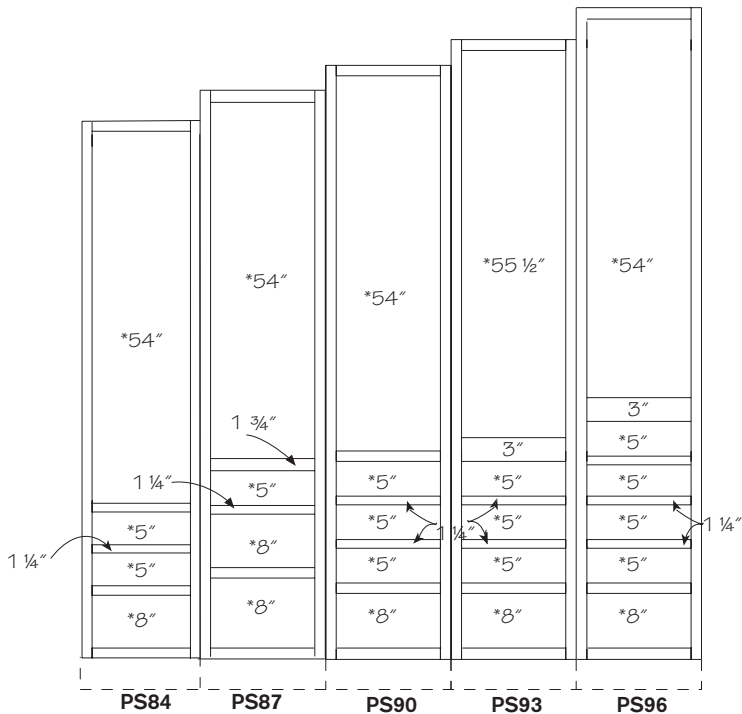
- Unless otherwise noted, all stiles and rails are 1 1/2"
- 3" vertical stiles divide double door cabinets over 36" wide
- Unless noted, oven cabinets have 3" vertical stiles
- Opening sizes are preceded by an asterisk (\*)
- Toe kick depth is 3 1/8"
- Drawer fronts will not align with one another when using 3 drawer and 4 drawer stack cabinets side-by-side
- **Note:** Unless noted, cabinet depth does **not** include doors or drawer fronts

## Utility Cabinet Frame Dimensions



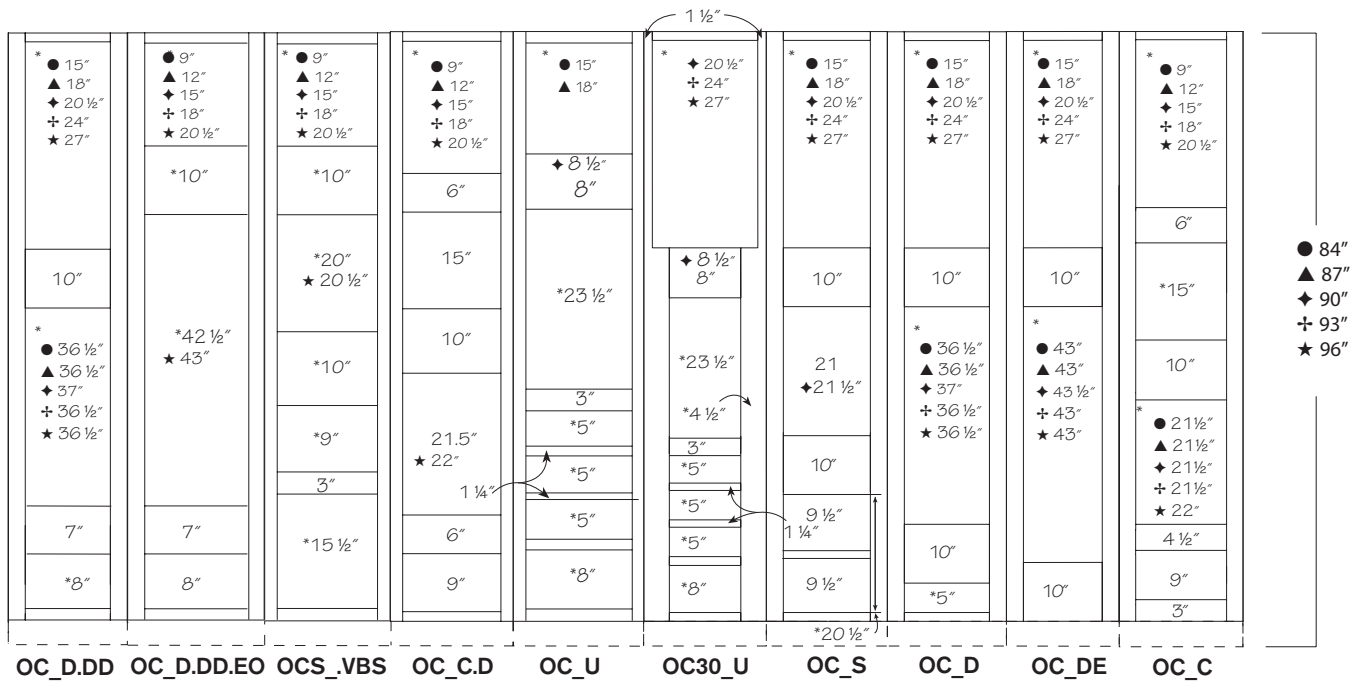
- Unless otherwise noted, all stiles and rails are 1 1/2"
- 3" vertical stiles divide double door cabinets over 36" wide
- Unless noted, oven cabinets have 3" vertical stiles
- Opening sizes are preceded by an asterisk (\*)
- Toe kick depth is 3 1/8"
- Drawer fronts will not align with one another when using 3 drawer and 4 drawer stack cabinets side-by-side
- **Note:** Unless noted, cabinet depth does **not** include doors or drawer fronts

### Pantry Storage Cabinet Frame Dimensions



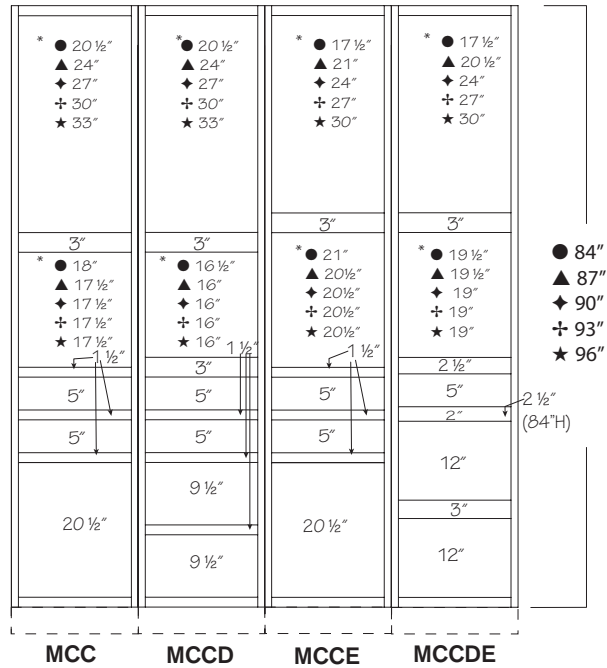
- Unless otherwise noted, all stiles and rails are 1 1/2"
- 3" vertical stiles divide double door cabinets over 36" wide
- Unless noted, oven cabinets have 3" vertical stiles
- Opening sizes are preceded by an asterisk (\*)
- Toe kick depth is 3 1/8"
- Drawer fronts will not align with one another when using 3 drawer and 4 drawer stack cabinets side-by-side
- **Note:** Unless noted, cabinet depth does **not** include doors or drawer fronts

### Oven Cabinet Frame Dimensions



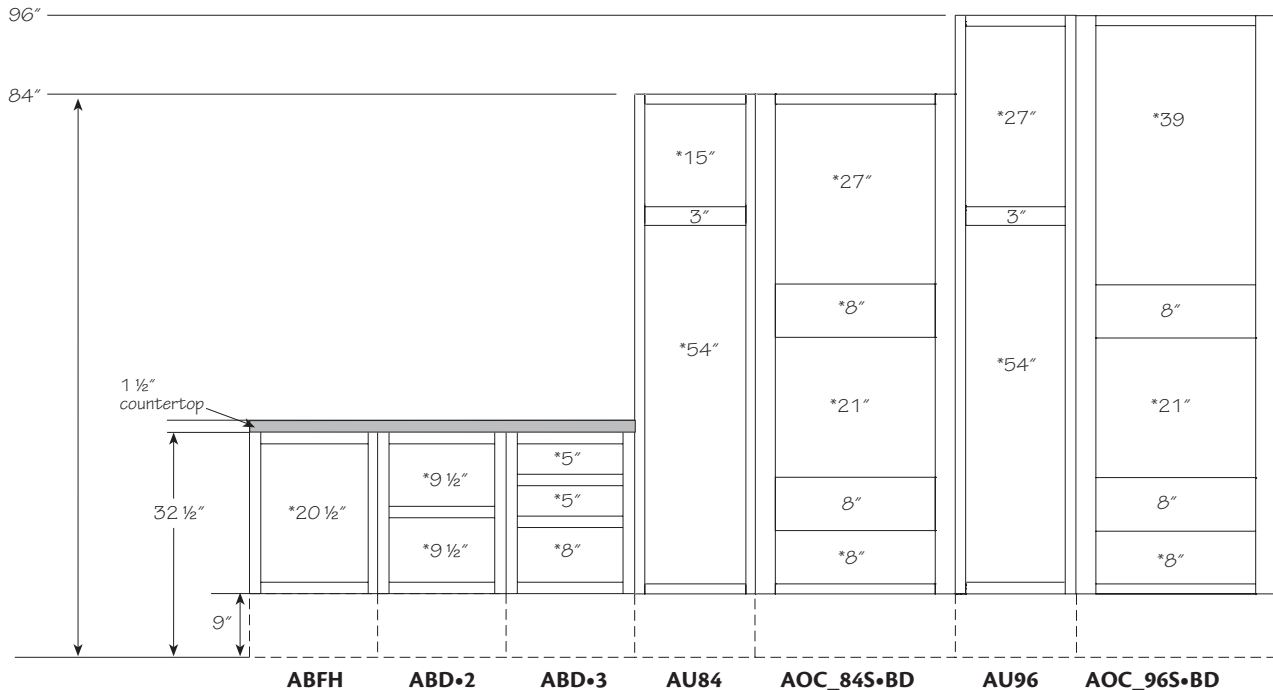
- Unless otherwise noted, all stiles and rails are 1 1/2"
- 3" vertical stiles divide double door cabinets over 36" wide
- Unless noted, oven cabinets have 3" vertical stiles
- Opening sizes are preceded by an asterisk (\*)
- Toe kick depth is 3 1/8"
- Drawer fronts will not align with one another when using 3 drawer and 4 drawer stack cabinets side-by-side
- **Note:** Unless noted, cabinet depth does **not** include doors or drawer fronts

### Microwave Cabinet Frame Dimensions



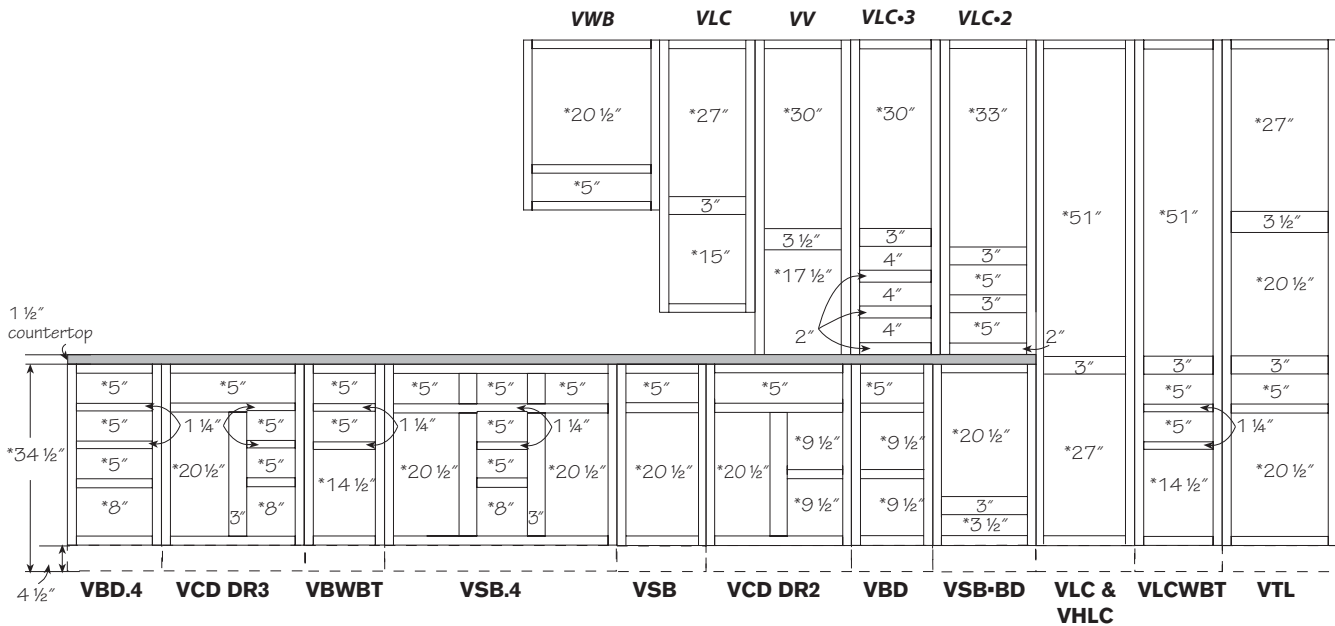
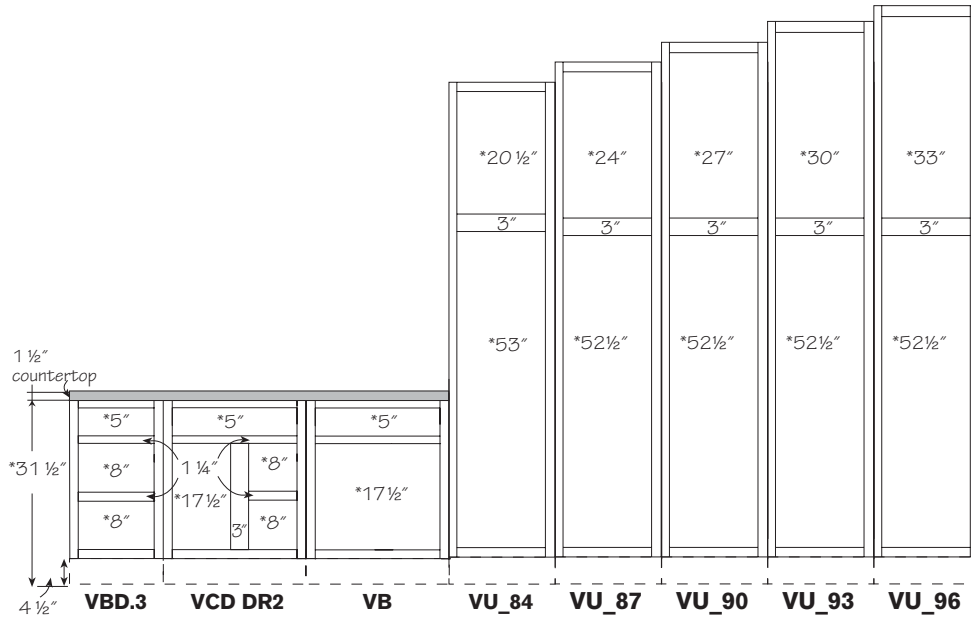
- Unless otherwise noted, all stiles and rails are 1 1/2"
- 3" vertical stiles divide double door cabinets over 36" wide
- Unless noted, oven cabinets have 3" vertical stiles
- Opening sizes are preceded by an asterisk (\*)
- Toe kick depth is 3 1/8"
- Drawer fronts will not align with one another when using 3 drawer and 4 drawer stack cabinets side-by-side
- **Note:** Unless noted, cabinet depth does *not* include doors or drawer fronts

### Passport Frame Dimensions



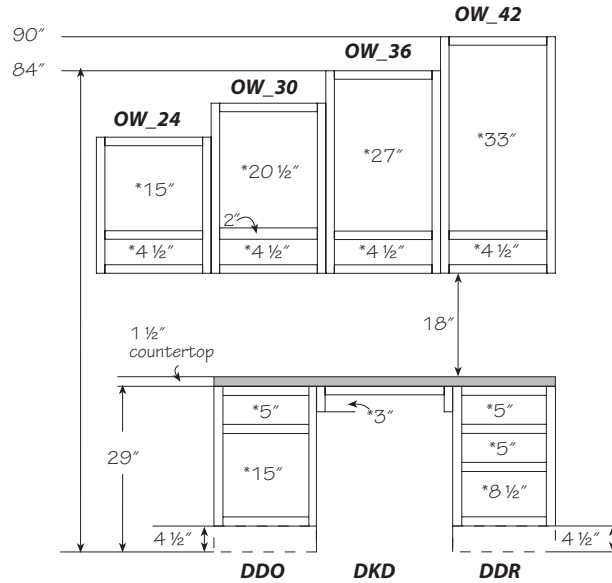
- Unless otherwise noted, all stiles and rails are 1 1/2"
- 3" vertical stiles divide double door cabinets over 36" wide
- Opening sizes are preceded by an asterisk (\*)
- Unless noted, oven cabinets have 3" vertical stiles
- Toe kick depth is 6"
- **Note:** Unless noted, cabinet depth does *not* include doors or drawer fronts

## Vanity Frame Dimensions



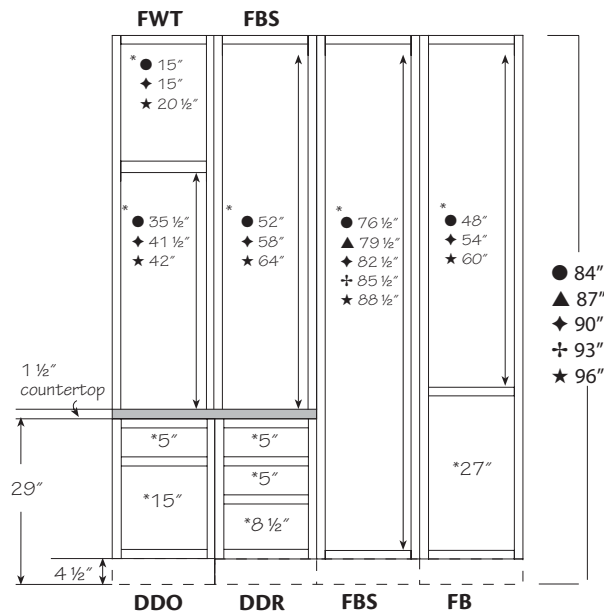
- Unless otherwise noted, all stiles and rails are 1 1/2"
- 3" vertical stiles divide double door cabinets over 36" wide
- Opening sizes are preceded by an asterisk (\*)
- Toe kick depth is 3 1/8"
- Drawer fronts will not align with one another when using 3 drawer and 4 drawer stack cabinets side-by-side
- **Note:** Unless noted, cabinet depth does **not** include doors or drawer fronts

### Office Frame Dimensions



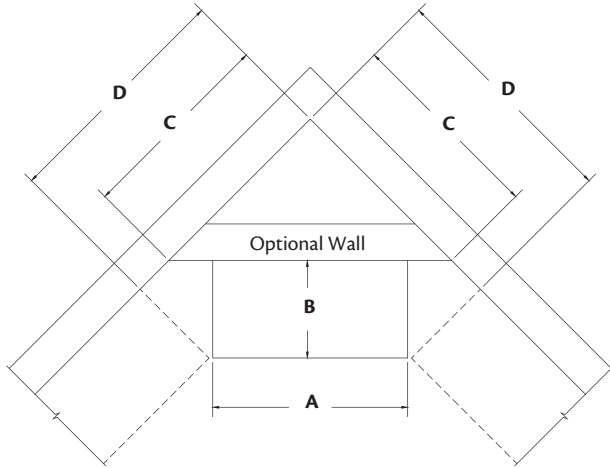
- Unless otherwise noted, all stiles and rails are 1 1/2"
- 3" vertical stiles divide double door cabinets over 36" wide
- Opening sizes are preceded by an asterisk (\*)
- Toe kick depth is 3 1/8"
- **Note:** Unless noted, cabinet depth does *not* include doors or drawer fronts

### Furniture Desk Frame Dimensions



- Unless otherwise noted, all stiles and rails are 1 1/2"
- 3" vertical stiles divide double door cabinets over 36" wide
- Unless noted, oven cabinets have 3" vertical stiles
- Opening sizes are preceded by an asterisk (\*)
- Toe kick depth is 3 1/8"
- Drawer fronts will not align with one another when using 3 drawer and 4 drawer stack cabinets side-by-side
- **Note:** Unless noted, cabinet depth does *not* include doors or drawer fronts

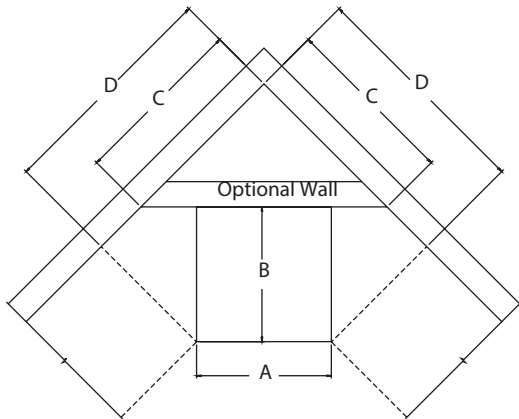
### Diagonal Installation of Standard Wall Cabinets



**Note:** Fillers are always recommended at both sides of cabinet junction points to allow for wall variations and drawer clearances

Caption Width A	Caption Width B	Caption Dim. A	Caption Dim. B
12"	12"	16 1/8"	21 7/8"
15"	12"	18 1/4"	23 1/4"
18"	12"	20 3/8"	25 3/8"
21"	12"	22 1/2"	27 1/2"
24"	12"	24 5/8"	29 5/8"
27"	12"	26 3/4"	31 3/4"
30"	12"	28 7/8"	33 7/8"
33"	12"	31"	36"
34"	12"	31 11/16"	33 13/16"
36"	12"	33 1/8"	38 1/8"
37"	12"	36 11/16"	38 13/16"
39"	12"	35 1/4"	40 1/4"
42"	12"	37 3/8"	42 3/8"
45"	12"	39 1/2"	44 1/2"
48"	12"	41 5/8"	46 5/8"

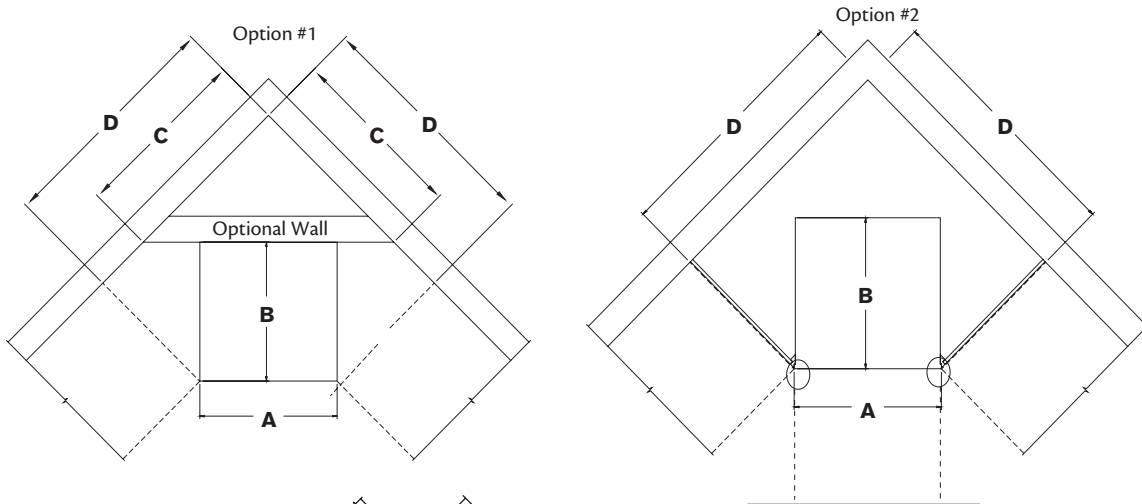
### Diagonal Installation of Standard Base Cabinets



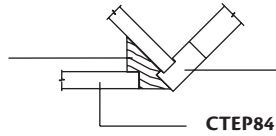
**Note:** Fillers are always recommended at both sides of cabinet junction points to allow for wall variations and drawer clearances.

Cabinet Width A	Cabinet Width B	Wall Dimensions C	Wall Dimensions D
12"	24"	22 1/2"	32 1/2"
15"	24"	24 5/8"	34 5/8"
18"	24"	26 3/4"	36 3/4"
21"	24"	28 7/8"	38 7/8"
24"	24"	31"	41"
27"	24"	33 1/8"	43 1/4"
30"	24"	35 1/4"	45 1/4"
33"	24"	37 3/8"	47 3/8"
36"	24"	39 1/2"	49 1/2"
39"	24"	41 5/8"	51 5/8"
42"	24"	43 3/4"	53 3/4"
45"	24"	45 7/8"	55 7/8"
48"	24"	48"	58"

## Diagonal Installation of Standard Tall Cabinets



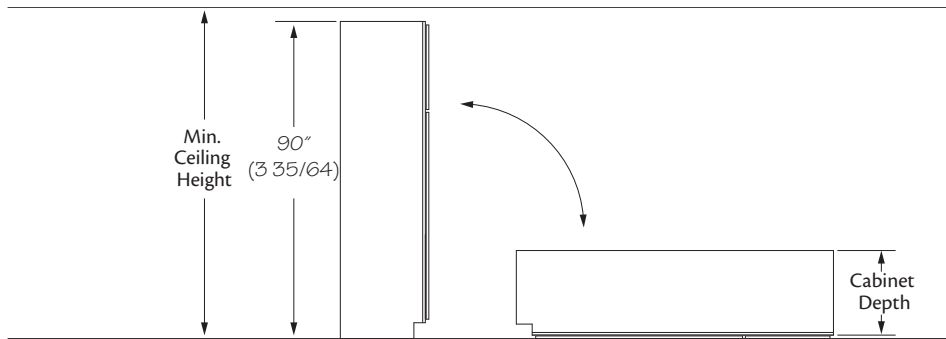
**CTM8**  
Solid Wood Molding



**Note:** Fillers are always recommended at both sides of cabinet junction points to allow for wall variations and drawer clearances. Corner Tall End Panel (CTEP) and Corner Tall Molding (CTM8) are sold separately

Cabinet Width "A"	Cabinet Depth "B"	Wall Dim. "C"	Wall Dim. "D"	Cabinet Depth "B"	Wall Dim. "C"	Wall Dim. "D"
15"	12"	18 1/4"	23 1/4"	24"	24 3/8"	34 5/8"
18"	12"	20 3/8"	25 3/8"	24"	26 3/4"	36 3/4"
24"	12"	24 5/8"	29 5/8"	24"	31"	40 15/16"
27"	N/A	N/A	N/A	24"	33 1/8"	43 1/16"
30"	12"	28 7/8"	33 7/8"	24"	35 1/4"	45 3/16"
33"	N/A	N/A	N/A	24"	37 3/8"	47 5/16"
36"	12"	12"	38 1/8"	24"	39 1/2"	49 1/2"

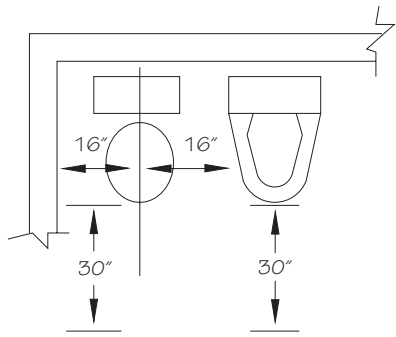
## Tip-Up Ceiling Clearance



84" Tall Cabinets		87" Tall Cabinets		90" Tall Cabinets		93" Tall Cabinets		96" Tall Cabinets	
Cabinet Depth	Min. Ceiling Height	Cabinet Depth	Min. Ceiling Height	Cabinet Depth	Min. Ceiling Height	Cabinet Depth	Min. Ceiling Height	Cabinet Depth	Min. Ceiling Height
12"	85 1/2"	12"	88 3/4"	12"	91 3/4"	12"	94 3/4"	12"	97 3/4"
18"	86 1/2"	18"	89 3/4"	18"	92 3/4"	18"	95 3/4"	18"	98 3/4"
21"	87 1/2"	21"	90 1/2"	21"	93 1/2"	21"	96 1/4"	21"	99 1/4"
24"	88 1/2"	24"	91 1/4"	24"	94"	24"	97"	24"	100"

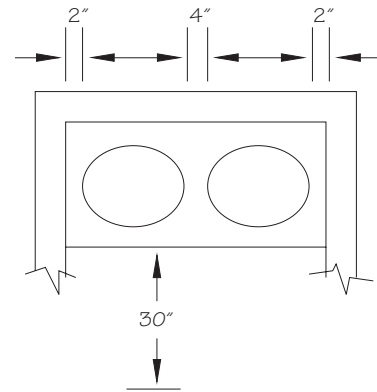
## Vanity Bath Clearances

### Minimum Clearances

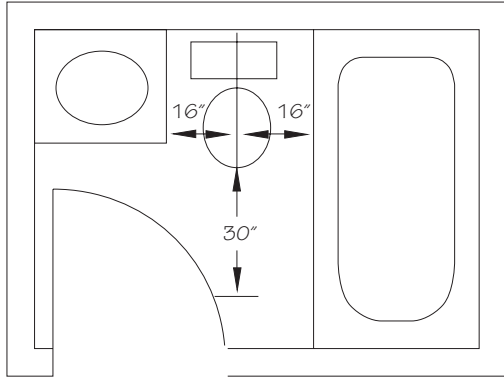


Minimum 30" of clearance space in front of the fixture

A minimum of 2" from the edge of the bowl to a wall or similar obstruction

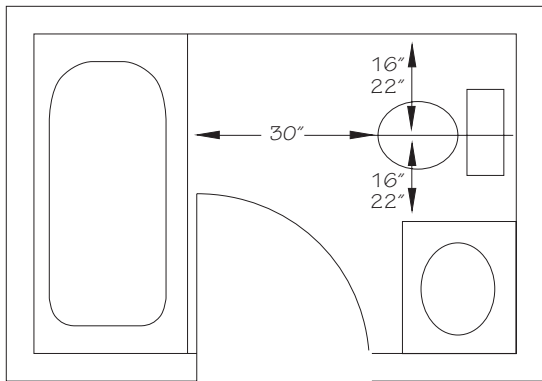
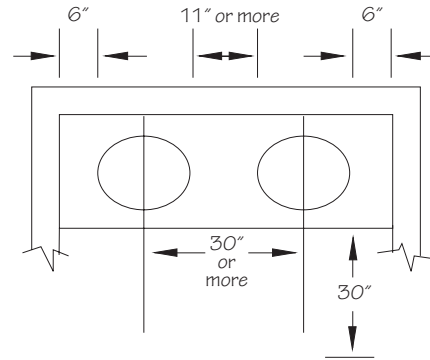
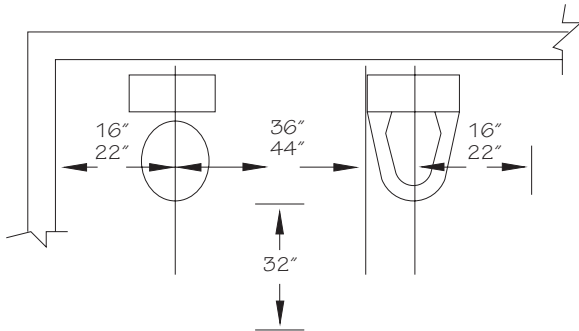


Minimum 30" of clearance space in front of the fixture. When using double bowls, allow 4" of space between the edge of each bowl.



16" of clearance on each side of center

### Desirable Clearances





# Construction Options

## Construction Options and Modifications

- ◆ Included as standard
- Available with an upcharge
- ☆ Available with exceptions
- (Blank) Unavailable

Use the option availability chart at the right of each item to determine which construction options are available for your desired cabinet.

Material dimensions listed may vary slightly from actual dimensions of the product. Specification subject to change without notice.

We utilize some of the best materials available to build the highest quality cabinets and continuously strive to provide products of the highest quality for all rooms of the home. In order to fulfill our commitment to quality, you may see some material changes in some of the plywood components that we use. The material changes will help reduce warping, expansion and contraction within the parts.

### What Is In Some Of Our Plywood?

Multiple layers of wood materials, including wood veneers and medium density fiberboard (MDF), are used to create a hybrid product containing the following benefits:

Improved strength and finish quality; reduces expansion or contraction, which is better for a smooth, quality finish. This process also produces a more rigid product.

Environmentally friendly; supports CARB II standards. (CARB, or California Air Resource Board, is a control measure for reduced formaldehyde emissions from composite wood products).

Regardless of the wood material used in the various applications of our All Plywood Construction, you can feel confident that Masco Cabinetry always uses some of the highest quality materials available to help ensure durable and long-lasting cabinets.

**Note:** According to the Department of Commerce, the core of hardwood and decorative plywood consists of a layer or layers of one or more material(s) that are situated between the face and back veneers. The core may be composed of a range of materials, including but **not** limited to veneers, particleboard, engineered wood and medium density fiberboard (MDF).

- PE Plywood Ends
- APC All Plywood Construction
- APFC All Plywood Furniture Construction
- FPEB Furniture Plywood Ends
- MI Matching Interior
- FBC Flush Back Construction
- DE Integrated Decorative End
- OE Operational End
- AD\_E Attached Decorative End
- CW Change Width
- RD Reduced Depth
- ID Increased Depth
- CH Change Height
- IF Inverted Frame
- TWR Top Wide Rail
- WR Wide Bottom Rail
- XS Extended Stile
- XSG Integrated Extended Stile
- XSB Extended Side Back
- IW Integrated Wall
- IB Integrated Base
- IT Integrated Tall
- GD Glass Doors
- PTKV Prepared for Toe Kick Vent
- RTK Recessed Toe Kick
- RTKP Recessed Toe Kick Peninsula
- VTK Void Toe Kick
- TKD Toe Kick Drawer

### Construction Option Examples

- Plywood
- Solid Wood
- Particleboard

**\*Note:** Please refer to door style for construction specifics



Standard:  
1/2" Ends



PE = 1/2" Ends  
FPEB = 3/4" Ends

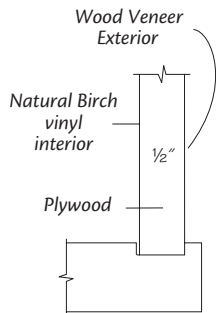


APC = 1/2" Ends  
APFC = 3/4" Ends

PE	TWR
APC	WR
APFC	XS
FPEB	XSG
MI	XSB
FBC	IW
DE	IB
OE	IT
AD_E	GD
CW	PTKV
RD	RTK
ID	RTKP
CH	VTK
IF	TKD

## Plywood Ends

**PE** Full Kitchens  
**PEB** Individual Cabinets

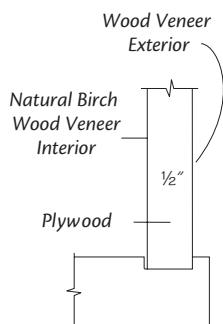


- Available with a 15% upcharge
- This construction option affects end panels only
- 1/2" plywood end panels are available for most cabinets
- Consult the Plywood Ends (PE) option box for your desired cabinet
- End panels only are 1/2" plywood with wood veneer exterior and Natural Birch vinyl interior
- Shelves, ceilings and floors are engineered wood with vinyl
- To order a full kitchen with Plywood Ends, use PE in the header of your order
- To order individual line items with Plywood Ends, dash each line item with PEB; Order Example: W3030-PEB
- Unless noted, plain sawn end panels will be supplied for quartersawn door styles
- Plywood End Panels do **not** receive glaze or highlight detailing
- Painted hardwood supplied for EverCore®

● PE	TWR
APC	WR
APFC	XS
FPEB	XSG
MI	XSB
FBC	IW
DE	IB
OE	IT
AD_E	GD
CW	PTKV
RD	RTK
ID	RTKP
CH	VTK
IF	TKD

## All Plywood Construction with 1/2" End Panels

**APC** Full Kitchens  
**AP** Individual Cabinets

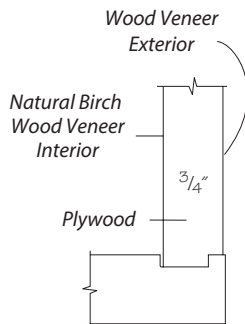


- Available with a 25% upcharge
- All Plywood Construction (APC) option with 1/2" End Panels is available for most cabinets
- Consult All Plywood Construction (APC) option box for your desired cabinet construction
- Featuring 1/2" plywood floors, ceilings, end panels, I-beams and toe kicks; 3/4" plywood base, wall and tall shelves; 3/8" plywood base back panel; 3/16" plywood wall back panel and drawer bottoms; solid wood hanging rail; toe kick support blocks (**not** plywood)
- Unless noted, plain sawn end panels will be supplied for quartersawn door styles
- Plywood End Panels do **not** receive glaze or highlight detailing
- **Note:** To get All Plywood Construction with 3/4" (Furniture) Plywood Ends use APFC with APC. Order Example W3030BUTT-APFC, B12L-APFC
- **Note:** To get All Plywood Construction on individual cabinets, dash each line with AP. Order Example: W3030-AP
- **Note:** To get All Plywood Construction with Matching Interior on individual cabinets use MIP. Order Example W3030BUTT-MIP
- **Note:** To get All Plywood Construction with 3/4" (Furniture) Plywood Ends and Matching Interior on individual cabinets use MIAPFC. Order Example W3030BUTT-MIAPFC

PE	TWR
● APC	WR
APFC	XS
FPEB	XSG
MI	XSB
FBC	IW
DE	IB
OE	IT
AD_E	GD
CW	PTKV
RD	RTK
ID	RTKP
CH	VTK
IF	TKD

## All Plywood Construction with 3/4" (Furniture) End Panels

**APFC** Individual Cabinets

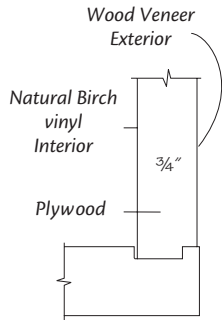


- Available with a 40% upcharge
- This construction option affects end panels only
- An All Plywood Construction with 3/4" (Furniture) End Panels option is available for most cabinets
- Consult All Plywood Furniture Construction option box (APFC) for your desired cabinet
- Featuring 3/4" plywood end panels; 1/2" plywood floors, ceilings, I-beams and toe kicks; 3/4" plywood base, wall and tall shelves; 3/8" plywood base and tall back panel; 3/16" plywood wall back panel, furniture back panel and drawer bottoms; wood hanging rail; toe kick support blocks are **not** plywood
- Unless noted, plain sawn end panels will be supplied for quartersawn door styles
- Plywood End Panels do **not** receive glaze or highlight detailing
- Painted hardwood supplied for EverCore®
- **Note:** To get All Plywood Construction with 3/4" (Furniture) Plywood Ends on individual cabinets use APFC. Order Example W3030BUTT-APFC

PE	TWR
APC	WR
● APFC	XS
FPEB	XSG
MI	XSB
FBC	IW
DE	IB
OE	IT
AD_E	GD
CW	PTKV
RD	RTK
ID	RTKP
CH	VTK
IF	TKD

## Furniture Plywood Ends

### FPEB Individual Cabinets

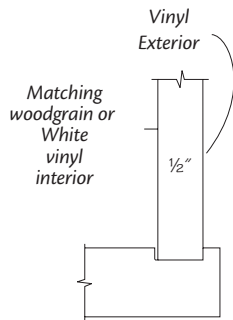


- Available with a 20% upcharge
- This construction option affects end panels only
- 3/4" Furniture Plywood End (FPEB) panels are available for most cabinets
- Consult Furniture Plywood Ends (FPEB) option box for your desired cabinet
- End panels only are 3/4" plywood with wood veneer exterior and Natural Birch vinyl interior
- Shelves, ceilings and floors are engineered wood with vinyl
- To order individual line items with Furniture Plywood Ends, dash each line item with FPEB; Order Example: W3030-FPEB, WEP3.30L-FPEB
- Unless noted, plain sawn end panels will be supplied for quartersawn door styles
- Plywood End Panels **do not** receive glaze or highlight detailing
- Painted hardwood supplied for EverCore®
- **Note:** To get All Plywood Construction with 3/4" (Furniture) Plywood Ends use APFC with APC. Order Example W3030BUTT-APFC, B12L-APFC

PE	TWR
APC	WR
APFC	XS
● FPEB	XSG
MI	XSB
FBC	IW
DE	IB
OE	IT
AD_E	GD
CW	PTKV
RD	RTK
ID	RTKP
CH	VTK
IF	TKD

## Matching Interior Standard Construction – Vinyl

### MIV Individual Cabinets

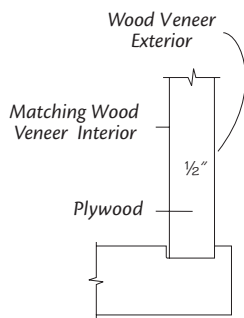


- Available with a 25% upcharge
- A Matching Interior option is recommended for all cabinets having glass doors
- Consult Matching Interior (MI) option box for availability for your desired cabinet
- If an item shows MI as standard in the option boxes, the matching interior material will be vinyl unless that item's standard construction is All Plywood (APC), Wood Veneer or Furniture Plywood Ends (FPEB, APFC). This includes cabinets ordered as unfinished
- Inside of face frame is unfinished
- This option includes:
  - 1/2" end panels with matching vinyl exterior and interior
  - 3/4" matching vinyl shelves on satin chrome furniture shelf rests
  - Matching vinyl for ceilings and floors
- Use MIP, MIFP or MIAPFC to get a wood veneer matching interior
- Unless noted, plain sawn end panels will be supplied for quartersawn door styles
- Natural Maple door styles with standard end panels are supplied standard with a Natural Birch vinyl interior. It is unnecessary to order Matching Interior
- Painted hardwood supplied for EverCore®
- Unavailable with (AD\_E) option

PE	TWR
APC	WR
APFC	XS
FPEB	XSG
● MI	XSB
FBC	IW
DE	IB
OE	IT
AD_E	GD
CW	PTKV
RD	RTK
ID	RTKP
CH	VTK
IF	TKD

## Matching Interior with 1/2" Plywood End Panels

### MIP Individual Cabinets

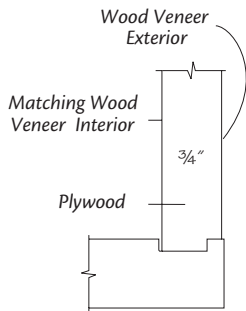


- Available with a 30% upcharge
- A Matching Interior Plywood option is available for individual items in a kitchen
- A Matching Interior option is recommended for all cabinets having glass doors
- Consult Matching Interior (MI) option box for availability for your desired cabinet
- Inside of face frame is unfinished
- This option includes:
  - 1/2" plywood end panels with matching wood veneer exterior and interior
  - 3/4" plywood shelves with matching wood veneer on satin chrome shelf rests
  - 1/2" plywood with matching wood veneer for ceilings and floors
  - 3/8" plywood base and tall back panel with matching wood veneer
  - 3/16" plywood wall and furniture back panel
- To order individual line items with Matching Interior, dash each line item with MIP Order Example: W3030-MIP, WEP3.30L-MIP
- Unless noted, plain sawn end panels will be supplied for quartersawn door styles
- Painted hardwood supplied for EverCore®
- Unavailable with (AD\_E) option
- **Note:** To get Matching Interior Furniture Plywood Ends with All Plywood Construction use MIAPFC

PE	TWR
APC	WR
APFC	XS
FPEB	XSG
● MI	XSB
FBC	IW
DE	IB
OE	IT
AD_E	GD
CW	PTKV
RD	RTK
ID	RTKP
CH	VTK
IF	TKD

## Matching Interior with 3/4" (Furniture) End Panels on All Plywood (APC) Orders

### MIAPFC Individual Cabinets

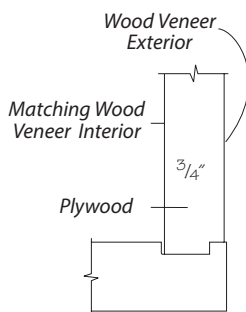


- Available with a 55% upcharge
- A Matching Interior All Plywood Furniture option is available for individual items in a kitchen
- A Matching Interior option is recommended for all cabinets having glass doors
- Consult Matching Interior (MI) option box for availability for your desired cabinet
- Inside of face frame is unfinished
- This option includes:
  - 3/4" plywood end panels with matching wood veneer exterior and interior
  - 3/4" plywood shelves with matching wood veneer on satin chrome shelf rests
  - 1/2" plywood with matching wood veneer for ceilings and floors
  - 3/8" plywood base and tall back panel with matching wood veneer
  - 3/16" plywood with matching wood veneer wall and furniture back panel
- To order a full kitchen with Matching Interior (MI), dash each line item with MIAPFC  
Order Example: W3030-MIAPFC, WEP3.30L-MIAPFC
- Unless noted, plain sawn end panels will be supplied for quartersawn door styles
- Painted hardwood supplied for EverCore®

PE	TWR
APC	WR
APFC	XS
FPEB	XSG
● MI	XSB
FBC	IW
DE	IB
OE	IT
AD_E	GD
CW	PTKV
RD	RTK
ID	RTKP
CH	VTK
IF	TKD

## Matching Interior with 3/4" Furniture Plywood End Panels

### MIFP Individual Cabinets



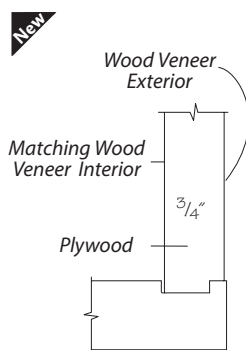
- Available with a 35% upcharge
- A Matching Interior option is recommended for all cabinets having glass doors
- Consult Matching Interior (MI) option box for availability for your desired cabinet
- Inside of face frame is unfinished
- This option includes:
  - 3/4" plywood end panels with matching wood veneer exterior and interior
  - 3/4" engineered wood with matching wood veneer shelves on satin chrome shelf rests
  - 1/2" engineered wood with matching wood veneer for ceilings and floors
  - 3/16" plywood with matching wood veneer wall back panel
- To order individual line items with matching interior, dash each line item with MIFP  
Order Example: W3030BUTT-MIFP, WEP3.30L-MIFP
- **Note:** To get Matching Interior Furniture Plywood Ends with All Plywood Construction use MIAPFC
- Unless noted, plain sawn end panels will be supplied for quartersawn door styles
- Painted hardwood supplied for EverCore®

PE	TWR
APC	WR
APFC	XS
FPEB	XSG
● MI	XSB
FBC	IW
DE	IB
OE	IT
AD_E	GD
CW	PTKV
RD	RTK
ID	RTKP
CH	VTK
IF	TKD

## Matching Interior Flush Appliance

### MIFA Individual Cabinets

Grey color coding indicates new product, size or code.



- Available with a 50% upcharge
- (MIFA) is unavailable on Oven Cabinet Combinations (OC\_C and OC\_C.D)
- Appliance opening size is required (COS) prior to selecting MIFA; floor location **must** be determined for proper assembly
- Interior floor, ceiling and ends will be finished to match; support braces in the appliance section will also be finished to match
- Appliance cabinet will be built with a matching full height back when this option is selected
- Cabinet construction defaults to (MI) on All Plywood Construction

PE	TWR
APC	WR
APFC	XS
FPEB	XSG
● MI	XSB
FBC	IW
DE	IB
OE	IT
AD_E	GD
CW	PTKV
RD	RTK
ID	RTKP
CH	VTK
IF	TKD

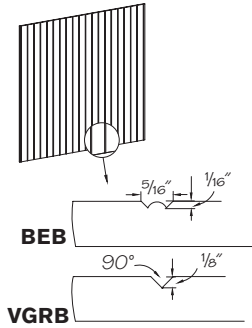
## Wood Veneer Construction

- Certain cabinets are manufactured with Wood Veneer Construction standard. See specific cabinet for details. Depending on the item, this may consist of a solid hardwood, plywood or engineered wood core that has solid wood veneer on both sides and is finished to match

PE	TWR
APC	WR
APFC	XS
FPEB	XSG
MI	XSB
FBC	IW
DE	IB
OE	IT
AD_E	GD
CW	PTKV
RD	RTK
ID	RTKP
CH	VTK
IF	TKD

## Back Option

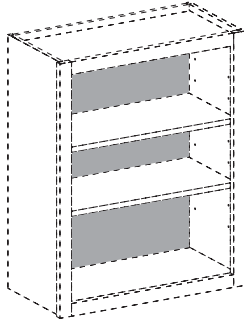
- + **BEB** Beaded Back
- + **VGRB** V-groove Back
- + Painted hardwood supplied for EverCore®



- Available with a 30% upcharge
- Select Base, Wall and open Furniture cabinets may be ordered with an interior 3/8" wood V-Groove or Beaded Back option
- Unavailable on cabinets ordered with an (DE) or (OE) options
- Unavailable in Wood-Grain Foil door styles
- Quartersawn door styles are supplied plain sawn

PE	TWR
APC	WR
❖ APFC	XS
FPEB	XSG
❖ MI	XSB
FBC	IW
DE	IB
OE	IT
AD_E	GD
CW	PTKV
RD	RTK
ID	RTKP
CH	VTK
IF	TKD

## Contrasting Back Option - Plain Back

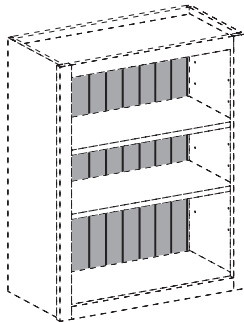


- CPLB .A21** Onyx Maple
- CPLB .A60** Autumn Blush Cherry
- CPLB .A77** Cinnamon Cherry
- CPLB .A78** Cinnamon Maple
- CPLB .A80** Chocolate Cherry
- CPLB .A88** Chestnut Maple
- CPLB .A90** Cognac Cherry
- CPLB .A92** Cognac Maple
- CPLB .A98** Cabernet Cherry
- CPLB .A99** Canvas Maple
- CPLB .B04** Dove White Maple
- CPLB .B13** Honey Spice Cherry
- CPLB .B15** Honey Spice Maple
- CPLB .B19** Kaffé Cherry
- CPLB .B28** Natural Cherry
- CPLB .B30** Natural Maple
- CPLB .B37** Peppercorn Cherry
- CPLB .B41** Praline Maple
- CPLB .B42** Sunset Cherry
- CPLB .B65M** Greyloft Maple
- CPLB .B69M** Midnight Maple
- CPLB .B81C** Saddle Cherry
- CPLB .B82C** Husk Cherry
- CPLB .B83M** Pebble Maple

- Available with a 35% upcharge
- Select Base, Wall and open Furniture cabinets may be ordered with an interior wood Contrasting Back Option
- Contrasting back material is Cherry or Maple and is determined by finish, no matter the door style

PE	TWR
APC	WR
❖ APFC	XS
FPEB	XSG
❖ MI	XSB
FBC	IW
DE	IB
OE	IT
AD_E	GD
CW	PTKV
RD	RTK
ID	RTKP
CH	VTK
IF	TKD

## Contrasting Back Option - Beaded Back



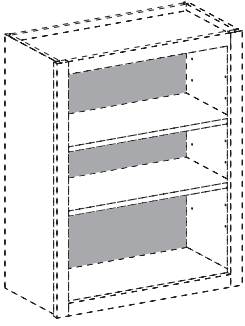
- CBEB .A21** Onyx Maple
- CBEB .A60** Autumn Blush Cherry
- CBEB .A77** Cinnamon Cherry
- CBEB .A78** Cinnamon Maple
- CBEB .A80** Chocolate Cherry
- CBEB .A88** Chestnut Maple
- CBEB .A90** Cognac Cherry
- CBEB .A92** Cognac Maple
- CBEB .A98** Cabernet Cherry
- CBEB .A99** Canvas Maple
- CBEB .B04** Dove White Maple
- CBEB .B13** Honey Spice Cherry
- CBEB .B15** Honey Spice Maple
- CBEB .B19** Kaffé Cherry
- CBEB .B28** Natural Cherry
- CBEB .B30** Natural Maple
- CBEB .B37** Peppercorn Cherry
- CBEB .B41** Praline Maple
- CBEB .B42** Sunset Cherry
- CBEB .B65M** Greyloft Maple
- CBEB .B69M** Midnight Maple
- CBEB .B81C** Saddle Cherry
- CBEB .B82C** Husk Cherry
- CBEB .B83M** Pebble Maple

- Available with a 40% upcharge
- Select Base, Wall and open Furniture cabinets may be ordered with an interior 3/8" wood Contrasting Back Option
- Contrasting back material is Cherry or Maple and is determined by finish, no matter the door style
- Unavailable on cabinets ordered with an (DE) or (OE) options

PE	TWR
APC	WR
❖ APFC	XS
FPEB	XSG
❖ MI	XSB
FBC	IW
DE	IB
OE	IT
AD_E	GD
CW	PTKV
RD	RTK
ID	RTKP
CH	VTK
IF	TKD

## Contrasting Back Option - Leather Back

**CPLB .COL** Cognac Leather  
**CPLB .ONL** Onyx Leather



- All Wall cabinets may be ordered with an interior Leather Contrasting Back Option unless noted. Wall backs are 3/16" thick
- Note:** Color coordination with Cognac stain will vary based on wood species



**Cleaning Tip:** Use a damp, well wrung out terry cloth or microfiber towel to wipe down the leather material

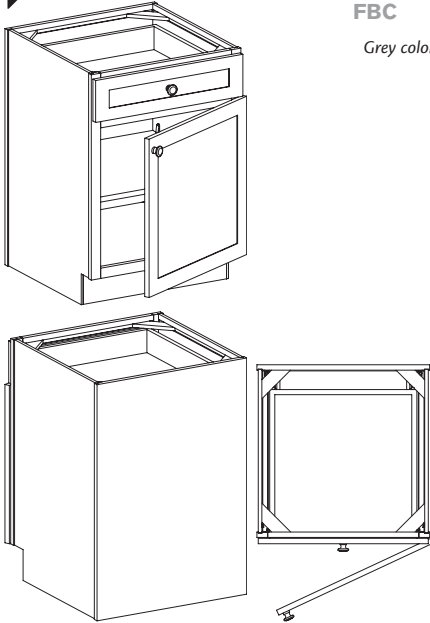
PE	TWR
APC	WR
APFC	XS
FPEB	XSG
MI	XSB
FBC	IW
DE	IB
OE	IT
AD_E	GD
CW	PTKV
RD	RTK
ID	RTKP
CH	VTK
IF	TKD

**New**

## Flush Back Construction

**FBC**

*Grey color coding indicates new product, size or code.*

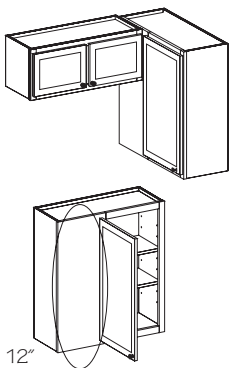


- Available on Base cabinets only
- 3/4" plywood; edgebanding applied to vertical edges
- Cabinet back will be Matching Interior; all other interior components will be natural woodgrain. (MI) can be used to change the remaining cabinet components to matching material
- If used with (RTK), the toe kick notch will be supplied unfinished
- Unavailable with Mullion Strip and the following options: Cutting Center (CC), Knife Section Cutting Center (KSCC) Integrated Decorative Ends (DE), Operational Ends (OE), Toe Kick Drawer (TKD) and Factory Installed Tray Dividers (TD)
- Unavailable on cabinets wider than 48"

PE	TWR
APC	WR
APFC	XS
FPEB	XSG
MI	XSB
FBC	IW
DE	IB
OE	IT
AD_E	GD
CW	PTKV
RD	RTK
ID	RTKP
CH	VTK
IF	TKD

## Flush Finished Blind

**FFB**

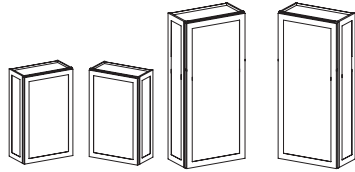


12"

- Wall Blind Corner Cabinets are available with Flush Finished Blind; specify FFB
- Flush finished panel is solid wood

PE	TWR
APC	WR
APFC	XS
FPEB	XSG
MI	XSB
FBC	IW
DE	IB
OE	IT
AD_E	GD
CW	PTKV
RD	RTK
ID	RTKP
CH	VTK
IF	TKD

## Integrated Decorative End



DWE.1

DWE.2

### Base

#### DBE B

34 1/2" H & 40" H; 12" & 24" D

#### DBE R or L

34 1/2" H & 40" H; 12" & 24" D

### Tall/Furniture Book Shelves

#### DTE B

60 1/2", 84", 87", 90", 93", & 96" H; 12", 18", 21" & 24" D

#### DTE R or L

60 1/2", 84", 87", 90", 93", & 96" H; 12", 18", 21" & 24" D

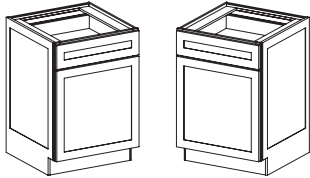
### Vanity

#### DVE B

31 1/2" & 34 1/2" H; 18" & 21" D

#### DVE R or L

31 1/2" & 34 1/2" H; 18" & 21" D



DBEL

DBER

### Wall

#### DWE B.1

12" H - 33" H

#### DWE B.2

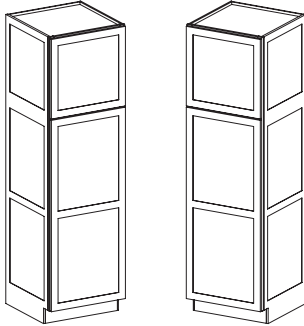
36" H - 54" H

#### DWE R or L.1

12" H - 33" H

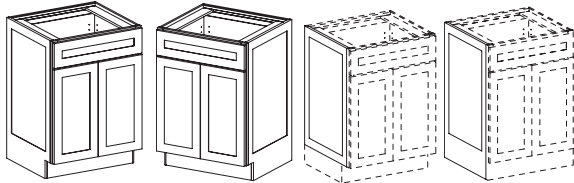
#### DWE R or L.2

36" H - 54" H



DTEL

DTER



DVEL

DVER

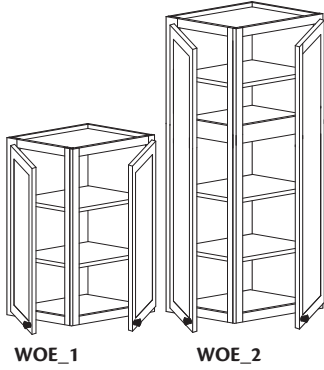
with VTK

with WR

- Specify R or L
- Available in full overlay door styles only
- Available on select cabinets only
- The rail height on Integrated Decorative End will match rail height on the door
- The overall width of a cabinet will increase by 1/16" per end
- DWEB or any combination of Decorative Wall End and Wall Operational Ends should only be used on Wall cabinets that are planned to be supported from underneath, placed on a floor, or placed on a countertop; install with additional support
- Toe kick notch will be standard construction with this option
- Veneer raised panel door styles will be supplied with a solid wood center panel machined to resemble the veneer center panel
- Unavailable in Thermofoil door styles
- Unavailable in slab door styles
- Unavailable in Wood-Grain Foil door styles
- Painted hardwood supplied for EverCore®
- Unavailable in (ID)
- (FBC) option is unavailable
- Unavailable in (RD)
- Unavailable in (CH)
- Unavailable with (WTWR)
- Unavailable with (IF) Option
- (FBC) option is unavailable
- **Note:** When (DBE) is used in combination with Peninsula cabinets, the working front drawer will be eliminated and replaced with a false front
- **Note:** Integrated Decorative Ends will have the selected finish on the interior and exterior of the integrated end. Other interior cabinet components will be natural; if Matching Interior is desired, select (MIAPFC)
- **Note:** Cabinets ordered with Integrated Decorative Ends will include (APFC) as standard

PE	TWR
APC	WR
❖ APFC	XS
FPEB	XSG
MI	XSB
FBC	IW
● DE	IB
OE	IT
AD_E	GD
CW	PTKV
RD	RTK
ID	RTKP
CH	VTK
IF	TKD

## Operational End



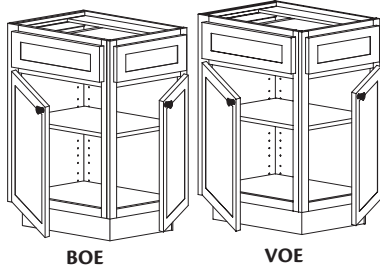
Base  
**BOE R or L**  
**BOE B**

Tall  
**TOE R or L**

Vanity  
**VOE R or L**  
**VOE B**

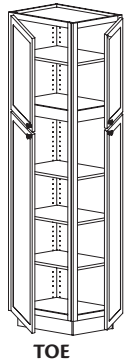
Wall  
 12"-33" H  
**WOE R or L .1**  
**WOE B .1**

36"-54" H  
**WOE R or L .2**  
**WOE B .2**



BOE

VOE



TOE

- Specify R or L
- (OE) will be attached to 2 1/2" frame stiles
- Unavailable on both ends of Tall cabinets
- Stacking configuration of (OE) will mimic the face of the selected cabinet; single hinged door only
- The overall width of a cabinet will increase by 1/16" per end with (OE). Be aware of this rule when stacking cabinets in a design with and without this option
- (RTK) is standard on Base, Tall and Vanity cabinets
- (CW) can be used in combination with these construction options
- (CH) can be used in combination with these construction options
- (RD) and (ID) can be used in combination with these construction options; (RD) **cannot** be less than 12"; (ID) **cannot** be more than 24"
- If (WR) is selected, the side and front will have a wide rail
- Available with (MI); add separately
- (CTR) option can be used in combination with Wall Operational End (WOE\_)
- Unavailable on Peninsula cabinets, Wine Cabinets, Lattice Cabinets, Appliance Cabinets with Appliance Opening or Cabinets containing Rollout Trays
- Wall cabinets are **not** intended to be installed independently without additional support
- Mullion doors and Camed glass designs are unavailable for 12" deep cabinets with (OE); doors are **not** wide enough to accommodate these decorative door/glass types
- Camed Glass, Mullion Doors or Specialty Inserts are unavailable on multiple glass door positions (Front & End, Front & Ends Both, Top, Top & End, Top & Ends Both, Top & Bottom, Top & Bottom & End, Top & Bottom & Ends Both, Bottom, Bottom & End or Bottom & Ends Both)
- Order glass doors on front of cabinet to enable the ordering of glass doors on (OE)
- Unavailable with (IF) Option
- (TKD) option is unavailable
- (FBC) option is unavailable
- **Note:** Any cabinet with (WOE.B) or any combination of (WOE & DWE) should only be used on wall cabinets that are supported from underneath, placed on a floor or on a counter top.

PE	TWR
APC	WR
APFC	XS
FPEB	XSG
MI	XSB
FBC	IW
DE	IB
● OE	IT
AD_E	GD
CW	PTKV
RD	RTK
ID	RTKP
CH	VTK
IF	TKD



Soft Close Angle Restrictor Clips (WTHARC) are recommended for additional decorative hardware clearance

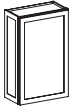


When ordering shelf kits for any Operational End (OE) cabinet be sure to order the shelf kits with the •OE suffix. This will provide your Operational End cabinet shelves with a complete and finished look



## Attached Decorative End (Factory Applied Replacement Doors)

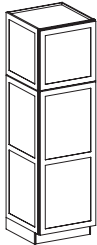
Left side shown



ADWEL.1



ADBEL



ADTEL



ADVEL

Base

**ADBE R or L**  
**ADBE B**

Tall

**ADTE R or L**  
**ADTE B**

Vanity

**ADVE R or L**  
**ADVE B**

Wall

12"-33" High

**ADWE R or L.1**  
**ADWE B.1**

36"-54" High

**ADWE R or L.2**  
**ADWE B.2**

Special Drilling for  
Attachments

**ADE**

- Specify R or L
- Factory Applied Decorative Door
- Available on select cabinets only
- Wall Cabinets: Wall Lateral Bi-Fold Cabinets will be supplied with a single door; Wall Appliance Garage Cabinets and Wall Stack cabinets will have two doors applied to align with the cabinet face; all other Wall cabinets will have a single full height door applied; Unavailable on 45" high Wall Microwave cabinets or 12" high Wall Refrigerator cabinets
- Base, Vanity and Desk Cabinets: All Base, Vanity Base and Office/Desk cabinets will have a single full height door applied; unavailable on 16" deep Vanity, BSDC6 or BWR6 cabinets
- Tall and Vanity (Utility) Cabinets: Oven Cabinets and Microwave Cooking Center cabinets will be supplied with a door configuration that matches standard Utility cabinets; tall lower door and short upper door; Utility Stack cabinets will have three doors applied to align with the cabinet face; 60 1/2" Utility Stack cabinets will have two doors applied to align with the cabinet face; All other Utility cabinets will have two doors applied to align with the cabinet face; 60 1/2" Utility cabinets will have a single door applied; unavailable on 52 1/2" high Vanity Linen Cabinets
- General Rules: Unavailable on cabinet deeper than 24", or on Furniture Cabinets
- Cabinet construction defaults to (FPEB) when this option is selected. Select (APFC) option if all plywood construction is desired
- Unavailable with (MIV) or (MIP), to get Matching Interior use the (MIAPFC) option
- Unavailable on Tall cabinets with (IF) option
- (RD) and (ID) can be used in combination with these construction options; (RD) **cannot** be less than 12"; (ID) **cannot** be more than 24"

PE	TWR
APC	WR
APFC	XS
❖ FPEB	XSG
MI	XSB
FBC	IW
DE	IB
OE	IT
● AD_E	GD
CW	PTKV
RD	RTK
ID	RTKP
CH	VTK
IF	TKD



ADE: This dash option will be used with replacement doors to ensure the special attachment pieces are installed into the door (Example: RD2430NH.B-ADE)

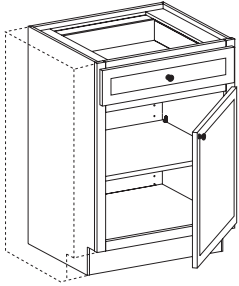
## Cabinet Dimension Modification Information

Cabinet Dimension Modifications		
Choose from the following and apply to cabinet code:		
One Dimension	Two Dimensions	Three Dimensions
<b>CW</b> (Change Width)	<b>CW.RD</b> (Change Width & Reduce Depth)	<b>CW.RD.CH</b> (Change Width, Reduce Depth & Change Height)
<b>RD</b> (Reduce Depth)	<b>CW.ID</b> (Change Width & Increase Depth)	
<b>ID</b> (Increase Depth)	<b>RD.CH</b> (Reduce Depth & Change Height)	<b>CW.ID.CH</b> (Change Width, Increase Depth & Change Height)
<b>CH</b> (Change Height)	<b>ID.CH</b> (Increase Depth & Change Height)	
	<b>CW.CH</b> (Change Width & Change Height)	

- Cabinets can be modified in 1/16" increments; specify overall finished dimensions to the nearest 1/16". Doors, drawer fronts and cabinet opening will be modified to coordinate with the new dimensions
- Height modifications will occur in the door portion of the cabinet
- Shelf quantities will remain consistent with original cabinet when cabinet dimensions are increased or decreased

PE	TWR
APC	WR
APFC	XS
FPEB	XSG
MI	XSB
FBC	IW
DE	IB
OE	IT
AD_E	GD
CW	PTKV
RD	RTK
ID	RTKP
CH	VTK
IF	TKD

## Change Width



One  
Dimension  
**CW**

Change Width		
Cabinet	Min. Width	Max. Width
Wall	9"	48"
Base	9"	48"
Tall	9"	36"
Vanity Base	12"	60"

- Available with a 30% upcharge
- To order (CW) modifications, start with a larger cabinet and reduce down in 1/16" increments. Consult option availability chart for your desired cabinet
- Specify overall finished width.  
Example 1: W1830L-CW 17 1/2";  
Example 2: B30BUTT-CW 28 1/2"  
(Example of incorrect request: W1830L-CW 19 1/2")
- Double door cabinets unable to be modified to less than 24" wide; use single door cabinets for this option
- Select Decorative Doors and Inserts are available with (CW) option
- **Note:** Decorative Inserts are unavailable on cabinets less than 12" wide

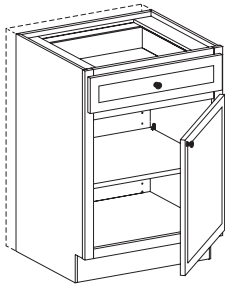
PE	TWR
APC	WR
APFC	XS
FPEB	XSG
MI	XSB
FBC	IW
DE	IB
OE	IT
AD_E	GD
● CW	PTKV
RD	RTK
ID	RTKP
CH	VTK
IF	TKD



Consider using APDW  
(Appliance Panel Drawer  
Front) if a unique Filler

Overlay size is required in your design

## Reduced Depth



One  
Dimension  
**RD**

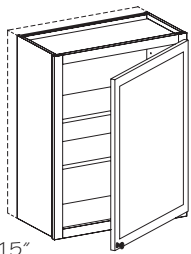
Cabinet	Drawer Box Depth
24"-27"	20 43/64"
21"-23 15/16"	17 23/32"
18"-20 15/16"	14 49/64"
15"-17 15/16"	11 13/16"
12"-14 15/16"	8 55/64"
less than 12"	No drawer

Reduced Depth		
Sugg. Min.	Cabinets	Reason
4 5/8"	All	Minimum for shelf hole drilling
9"	PB	Minimum for toe kick notch Less than 9" WR is mandatory
12"	Cabinets with drawers	Minimum for working drawer Less than 12" depth will have false drawer front
18"	BEA WEA	Minimum allowed
12"	WWH	Wine Storage section always 12" deep

- Available with a 30% upcharge
- Many cabinets can be reduced to your desired depth in 1/16" increments. We do have suggested min. that control function of cabinets
- Any cabinet reduced in depth to less than 4 5/8" will be shipped as a (CFO)

PE	TWR
APC	WR
APFC	XS
FPEB	XSG
MI	XSB
FBC	IW
DE	IB
OE	IT
AD_E	GD
CW	PTKV
● RD	RTK
ID	RTKP
CH	VTK
IF	TKD

## Increased Depth



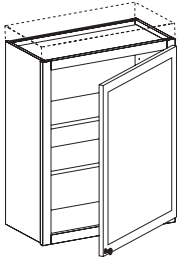
15"

One  
Dimension  
**ID**

- Available with a 30% upcharge
- Many wall cabinets can be increased to a 24" depth, in 1/16" increments
- Any wall cabinet over 24" wide, at least 30" high with a depth greater than 12" should be installed between two cabinets, a cabinet and a wall or supported from below. The same is also true for cabinets with BUTT doors
- Many Tall cabinets can be increased to a 27" depth, in 1/16" increments
- **Note:** Max. cabinet width for this option is 36"

PE	TWR
APC	WR
APFC	XS
FPEB	XSG
MI	XSB
FBC	IW
DE	IB
OE	IT
AD_E	GD
CW	PTKV
RD	RTK
● ID	RTKP
CH	VTK
IF	TKD

## Change Height



One Dimension  
**CH**

Change Height		
Cabinet	Min. Height	Max. Height
Wall	12"	54"
Base FH 34 1/2" H	16 1/2"	40 7/16"
Base FH 40 1/2" H	40 1/2"	60 7/16"
Base	23"	42"
Tall	72 1/2"	96"
Vanity Base	23"	42"

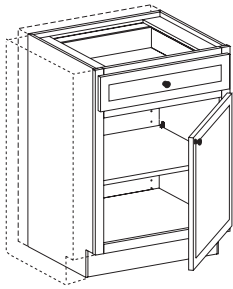
- Available with a 30% upcharge
- Many cabinets can be modified to your desired height in 1/16" increments
- Specify overall finished height. Example 1: W1836L-CH 33 1/2"; Example 2: B30BUTT-CH 40 1/2"
- To (CH) on wall cabinets 18 1/16" to 23 7/16" H, select a nominal 24" H cabinet; for heights 23 9/16" to 29 15/16" H, select a nominal 30" H cabinet; unavailable on 21" & 27" H cabinets
- 34 1/2" H Base Cabinets can be increased in height to 42" H; height adjustments will be made to the door section of the base cabinet, therefore height adjustments are unavailable for drawer stack cabinets
- For Tall 72 1/2"–83 15/16" H, select a nominal 84" H cabinet; height adjustments will be made to the upper section of the tall cabinet. Shelves in the upper section are unavailable when cabinet change height is shorter than 81 1/2"
- When using (CH) and (VTK) options on the same cabinet, the (CH) dimension will take precedence, the Toe Kick height of 4 1/2" will then be subtracted from the (CH) dimension. (Example: U302490BUTT-VTK-CH to 88", the overall cabinet height will be 83 1/2")

PE	TWR
APC	WR
APFC	XS
FPEB	XSG
MI	XSB
FBC	IW
DE	IB
OE	IT
AD_E	GD
CW	PTKV
RD	RTK
ID	RTKP
● CH	VTK
IF	TKD



Consider using APDW (Appliance Panel Drawer Front) if a unique Filler Overlay size is required in your design

## Change Width & Reduce Depth



Two Dimensions  
**CW.RD**

Cabinet	Drawer Box Depth
24"-27"	20 43/64"
21"-23 15/16"	17 23/32"
18"-20 15/16"	14 49/64"
15"-17 15/16"	11 13/16"
12"-14 15/16"	8 55/64"
less than 12"	No drawer

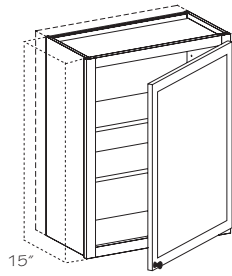
- Available with a 40% upcharge
- Many cabinets can be modified to your desired width and depth. We do have suggested min. that control function of cabinets
- Any cabinet reduced in depth to less than 4 5/8" will be shipped as a (CFO)
- Double door cabinets unable to be modified to less than 24" wide; use single door cabinets for this option

PE	TWR
APC	WR
APFC	XS
FPEB	XSG
MI	XSB
FBC	IW
DE	IB
OE	IT
AD_E	GD
● CW	PTKV
● RD	RTK
ID	RTKP
CH	VTK
IF	TKD

### Change Width and Reduced Depth

Cabinets	Min. Width	Max. Width	Min. Depth	Reasons for exceptions
Wall	9"	48"	4 5/8"	Minimum for shelf hole drilling
Base	9"	48"	4 5/8"	Minimum for shelf hole drilling
Tall	9"	36"	4 5/8"	Minimum for shelf hole drilling
Vanity Base	12"	60"	4 5/8"	Minimum allowed
Cabinets with drawers	N/A	N/A	12"	Minimum for working drawer Less than 12" depth will have false drawer front
Peninsula Base	9"	48"	9"	Minimum for toe kick notch Less than 9" WR is mandatory

## Change Width & Increase Depth



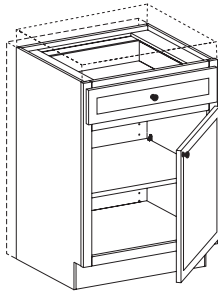
Two Dimensions  
**CW.ID**

- Available with a 40% upcharge
- Many cabinets can be modified to your desired width and depth
- Consult chart for the suggested min. that control the functionality of cabinets
- Many wall cabinets can be increased to a 24" depth, in 1/16" increments
- Double door cabinets unable to be modified to less than 24" wide; use single door cabinets for this option
- Any wall cabinet over 24" wide, at least 30" high with a depth greater than 12" should be installed between two cabinets, a cabinet and a wall or supported from below. The same is also true for cabinets with BUTT doors

PE	TWR
APC	WR
APFC	XS
FPEB	XSG
MI	XSB
FBC	IW
DE	IB
OE	IT
AD_E	GD
● CW	PTKV
RD	RTK
● ID	RTKP
CH	VTK
IF	TKD

Change Width and Increased Depth			
Cabinets	Min. Width	Max. Width	Max. Depth
Wall	9"	48"	24"
Base	9"	48"	24"
Tall	9"	36"	27"
Vanity Utility	12"	36"	27"
Peninsula Wall	9"	36"	15"

## Reduce Depth & Change Height



Two Dimensions  
**RD.CH**

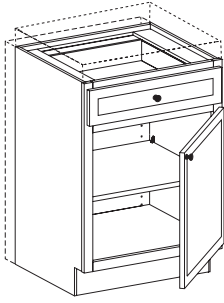
- Available with a 40% upcharge
- Many cabinets can be changed to your desired depth and height
- Consult chart for suggested min. that control the functionality of cabinet
- Any cabinet reduced in depth to less than 4 5/8" will be shipped as a (CFO)
- To (CH) on wall cabinets 18 1/16" to 23 7/16" H, select a nominal 24" H cabinet; for heights 23 9/16" to 29 15/16" H, select a nominal 30" H cabinet; unavailable on 21" & 27" H cabinets
- 34 1/2" H Base Cabinets can be increased in height to 42" H; height adjustments will be made to the door section of the base cabinet, therefore height adjustments are unavailable for drawer stack cabinets
- For Tall 72 1/2"-83 15/16" H, select a nominal 84" H cabinet; height adjustments will be made to the upper section of the tall cabinet. Shelves in the upper section are unavailable when cabinet change height is shorter than 81 1/2"
- When using (CH) and (VTK) options on the same cabinet, the (CH) dimension will take precedence, the Toe Kick height of 4 1/2" will then be subtracted from the (CH) dimension. (Example: U302490BUTT-VTK-CH to 88", the overall cabinet height will be 83 1/2")

PE	TWR
APC	WR
APFC	XS
FPEB	XSG
MI	XSB
FBC	IW
DE	IB
OE	IT
AD_E	GD
● CW	PTKV
● RD	RTK
ID	RTKP
● CH	VTK
IF	TKD

Cabinet	Drawer Box Depth
24"-27"	20 43/64"
21"-23 15/16"	17 23/32"
18"-20 15/16"	14 49/64"
15"-17 15/16"	11 13/16"
12"-14 15/16"	8 55/64"
less than 12"	No drawer

Reduced Depth and Change Height				
Cabinets	Min. Depth	Min. Height	Max. Height	Reasons for exceptions
Wall	4 5/8"	12"	54"	Minimum for shelf hole drilling
Base FH 34 1/2" H	4 5/8"	16 1/2"	40 7/16"	Minimum for shelf hole drilling
Base FH 40 1/2" H	4 5/8"	40 1/2"	60 7/16"	Minimum for shelf hole drilling
Base	4 5/8"	23"	42"	Minimum for shelf hole drilling
Tall	4 5/8"	72 1/2"	96"	Minimum for shelf hole drilling
Vanity Base	4 5/8"	23"	42"	Minimum for shelf hole drilling
Cabinets with drawers	12"	N/A	N/A	Minimum for working drawer Less than 12" depth will have false drawer front
Peninsula Base	9"	23"	42"	Minimum for toe kick notch Less than 9" WR is mandatory
BEA	18"	23"	42"	Minimum allowed

## Increase Depth & Change Height



Two  
Dimensions  
**ID.CH**

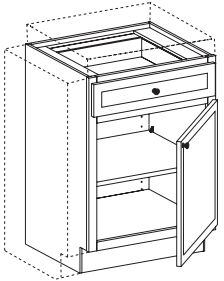
Increased Depth and Change Height*			
Cabinets	Max. Depth	Min. Height	Max. Height
Wall	24"	12"	54"
Base FH 34 1/2" H	24"	16 1/2"	40 7/16"
Base FH 40 1/2" H	24"	40 1/2"	60 7/16"
Base	24"	23"	42"
Tall	27"	72 1/2"	96"
Vanity Utility	27"	72 1/2"	96"
Peninsula Wall	15"	12"	42"

\*Max. cabinet width for this option is 36"

- Available with a 40% upcharge
- Many cabinets can be changed to your desired depth and height
- Any wall cabinet over 24" wide, at least 30" high with a depth greater than 12" should be installed between two cabinets, a cabinet and a wall or supported from below. The same is also true for cabinets with BUTT doors
- To (CH) on wall cabinets 18 1/16" to 23 7/16" H, select a nominal 24" H cabinet; for heights 23 9/16" to 29 15/16" H, select a nominal 30" H cabinet; unavailable on 21" & 27" H cabinets
- 34 1/2" H Base Cabinets can be increased in height to 42" H; height adjustments will be made to the door section of the base cabinet, therefore height adjustments are unavailable for drawer stack cabinets
- For Tall 72 1/2"–83 15/16" H, select a nominal 84" H cabinet; height adjustments will be made to the upper section of the tall cabinet. Shelves in the upper section are unavailable when cabinet change height is shorter than 81 1/2"
- When using (CH) and (VTK) options on the same cabinet, the (CH) dimension will take precedence, the Toe Kick height of 4 1/2" will then be subtracted from the (CH) dimension. (Example: U302490BUTT-VTK-CH to 88", the overall cabinet height will be 83 1/2")

PE	TWR
APC	WR
APFC	XS
FPEB	XSG
MI	XSB
FBC	IW
DE	IB
OE	IT
AD_E	GD
CW	PTKV
RD	RTK
● ID	RTKP
● CH	VTK
IF	TKD

## Change Width & Change Height



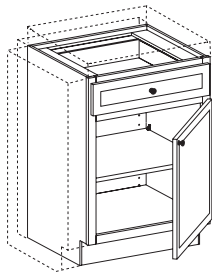
Two  
Dimensions  
**CW.CH**

Change Width and Change Height				
Cabinet	Min. Width	Max. Width	Min. Height	Max. Height
Wall	9"	48"	12"	54"
Base FH 34 1/2" H	9"	48"	16 1/2"	40 7/16"
Base FH 40 1/2" H	9"	48"	40 1/2"	60 7/16"
Base	9"	48"	23"	42"
Tall	9"	36"	72 1/2"	96"
Vanity Base	12"	60"	23"	42"

- Available with a 40% upcharge
- Many cabinets can be modified to your desired width and height
- Double door cabinets unable to be modified to less than 24" wide; use single door cabinets for this option
- To (CH) on wall cabinets 18 1/16" to 23 7/16" H, select a nominal 24" H cabinet; for heights 23 9/16" to 29 15/16" H, select a nominal 30" H cabinet; unavailable on 21" & 27" H cabinets
- 34 1/2" H Base Cabinets can be increased in height to 42" H; height adjustments will be made to the door section of the base cabinet, therefore height adjustments are unavailable for drawer stack cabinets
- For Tall 72 1/2"–83 15/16" H, select a nominal 84" H cabinet; height adjustments will be made to the upper section of the tall cabinet. Shelves in the upper section are unavailable when cabinet change height is shorter than 81 1/2"
- When using (CH) and (VTK) options on the same cabinet, the (CH) dimension will take precedence, the Toe Kick height of 4 1/2" will then be subtracted from the (CH) dimension. (Example: U302490BUTT-VTK-CH to 88", the overall cabinet height will be 83 1/2")

PE	TWR
APC	WR
APFC	XS
FPEB	XSG
MI	XSB
FBC	IW
DE	IB
OE	IT
AD_E	GD
● CW	PTKV
RD	RTK
ID	RTKP
● CH	VTK
IF	TKD

## Change Width, Reduce Depth & Change Height



Three  
Dimensions  
**CW.RD.CH**

Cabinet	Drawer Box Depth
24"-27"	20 43/64"
21"-23 15/16"	17 23/32"
18"-20 15/16"	14 49/64"
15"-17 15/16"	11 13/16"
12"-14 15/16"	8 55/64"
less than 12"	No drawer

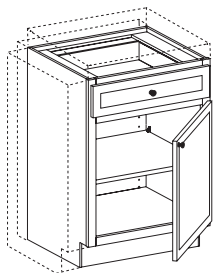
- Available with a 50% upcharge
- Many cabinets can be modified to your desired width, depth and height. We do have suggested min. that control function of cabinets
- Any cabinet reduced in depth to less than 4 5/8" will be shipped as a (CFO)
- Double door cabinets unable to be modified to less than 24" wide; use single door cabinets for this option
- To (CH) on wall cabinets 18 1/16" to 23 7/16" H, select a nominal 24" H cabinet; for heights 23 9/16" to 29 15/16" H, select a nominal 30" H cabinet; unavailable on 21" & 27" H cabinets
- 34 1/2" H Base Cabinets can be increased in height to 42" H; height adjustments will be made to the door section of the base cabinet, therefore height adjustments are unavailable for drawer stack cabinets
- For Tall 72 1/2"-83 15/16" H, select a nominal 84" H cabinet; height adjustments will be made to the upper section of the tall cabinet. Shelves in the upper section are unavailable when cabinet change height is shorter than 81 1/2"
- When using (CH) and (VTK) options on the same cabinet, the (CH) dimension will take precedence, the Toe Kick height of 4 1/2" will then be subtracted from the (CH) dimension. (Example: U302490BUTT-VTK-CH to 88", the overall cabinet height will be 83 1/2")

PE	TWR
APC	WR
APFC	XS
FPEB	XSG
MI	XSB
FBC	IW
DE	IB
OE	IT
AD_E	GD
● CW	PTKV
● RD	RTK
● ID	RTKP
● CH	VTK
IF	TKD

### Change Width, Reduced Depth and Change Height

Cabinets	Min. Width	Max. Width	Min. Depth	Min. Height	Max. Height	Reasons for exceptions
Wall	9"	48"	4 5/8"	12"	54"	Minimum for shelf hole drilling
Base FH 34 1/2" H	9"	48"	4 5/8"	16 1/2"	40 7/16"	Minimum for shelf hole drilling
Base FH 40 1/2" H	9"	48"	4 5/8"	40 1/2"	60 7/16"	Minimum for shelf hole drilling
Base	9"	48"	4 5/8"	23"	42"	Minimum for shelf hole drilling
Tall	9"	36"	4 5/8"	72 1/2"	96"	Minimum for shelf hole drilling
Vanity Base	12"	60"	4 5/8"	23"	42"	Minimum for shelf hole drilling
Peninsula Base	9"	48"	9"	23"	42"	Minimum for toe kick notch Less than 9" WR is mandatory
<b>Minimum depth for working drawer is 12", less than 12" depth will have a false drawer front"</b>						

## Change Width, Increase Depth & Change Height



Three  
Dimensions  
**CW.ID.CH**

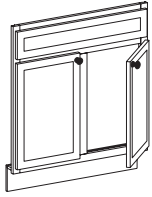
Cabinets	Min. Width	Max. Width	Max. Depth	Max. Height
Wall	9"	48"	24"	54"
Base	9"	48"	24"	42"
Tall	9"	36"	27"	96"
Vanity Utility	12"	36"	27"	96"
Peninsula Wall	9"	36"	15"	42"

\*Max. cabinet width for this option is 36"

- Available with a 50% upcharge
- Many cabinets can be modified to your desired width, depth and height. We do have suggested min. that control function of cabinets
- Consult option availability chart for your desired cabinet
- Any wall cabinet over 24" wide, at least 30" high with a depth greater than 12" should be installed between two cabinets, a cabinet and a wall or supported from below. The same is also true for cabinets with BUTT doors
- Double door cabinets unable to be modified to less than 24" wide; use single door cabinets for this option
- To (CH) on wall cabinets 18 1/16" to 23 7/16" H, select a nominal 24" H cabinet; for heights 23 9/16" to 29 15/16" H, select a nominal 30" H cabinet; unavailable on 21" & 27" H cabinets
- 34 1/2" H Base Cabinets can be increased in height to 42" H; height adjustments will be made to the door section of the base cabinet, therefore height adjustments are unavailable for drawer stack cabinets
- For Tall 72 1/2"-83 15/16" H, select a nominal 84" H cabinet; height adjustments will be made to the upper section of the tall cabinet. Shelves in the upper section are unavailable when cabinet change height is shorter than 81 1/2"
- When using (CH) and (VTK) options on the same cabinet, the (CH) dimension will take precedence, the Toe Kick height of 4 1/2" will then be subtracted from the (CH) dimension. (Example: U302490BUTT-VTK-CH to 88", the overall cabinet height will be 83 1/2")

PE	TWR
APC	WR
APFC	XS
FPEB	XSG
MI	XSB
FBC	IW
DE	IB
OE	IT
AD_E	GD
● CW	PTKV
● RD	RTK
● ID	RTKP
● CH	VTK
IF	TKD

### Cabinet Front Only CFO



Base example shown

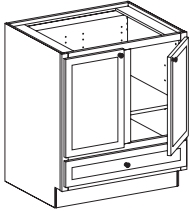
- Available with a -30% downgrade
- Front frame and appropriate doors and drawer fronts only
- Toe kick attached where applicable, except 93" and 96" tall
- Extended stiles available



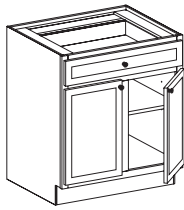
We recommend using this option on cabinetry containing no factory installed accessories, since all cabinet components will be eliminated except face frame, doors and drawer fronts. Order example: B18L-CFO

PE	TWR
APC	WR
APFC	XS
FPEB	XSG
MI	XSB
FBC	IW
DE	IB
OE	IT
AD_E	GD
CW	PTKV
RD	RTK
ID	RTKP
CH	VTK
IF	TKD

### Inverted Frame IF



**B30-IF**  
Inverted Frame

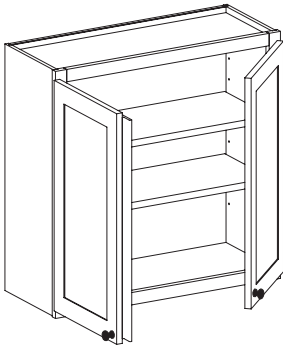


**B30**  
Standard

- Available with a 35% upcharge
- Most Base and Vanity cabinets can be ordered with an Inverted Frame
- Bottom drawer box will be 2 1/4" deep
- Factory installed Roll-out Trays are unavailable
- Unavailable with (GD)
- Unavailable on Tall cabinets with (AD\_E) option
- Unavailable with (OE) option

PE	TWR
APC	WR
APFC	XS
FPEB	XSG
MI	XSB
FBC	IW
DE	IB
OE	IT
AD_E	GD
CW	PTKV
RD	RTK
ID	RTKP
CH	VTK
● IF	TKD

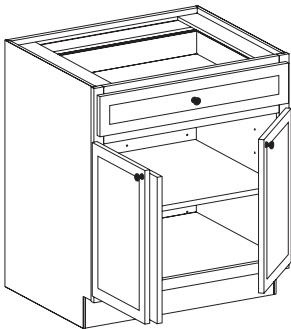
### Mullion Strip Wall - Void Center Stile MSW



- On double door cabinets (30"-36" wide, up to 42" high) the center stile can be removed. When this is done, a mullion strip is attached to the left door
- Solid wood
- Painted hardwood supplied for EverCore®
- Painted or Stained hardwood supplied for Wood-Grain Foil door styles
- Any wall cabinet over 24" wide, at least 30" high with a depth greater than 12" should be installed between two cabinets, a cabinet and a wall or supported from below. The same is also true for cabinets with BUTT doors
- Unavailable on Peninsula cabinets
- Unavailable with butt door cabinets
- (CW) option unavailable
- (CH) option unavailable

PE	TWR
APC	WR
APFC	XS
FPEB	XSG
MI	XSB
FBC	IW
DE	IB
OE	IT
AD_E	GD
CW	PTKV
RD	RTK
ID	RTKP
CH	VTK
IF	TKD

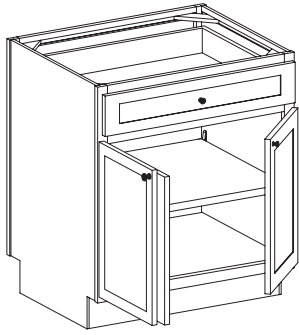
### Mullion Strip Base - Void Center Stile MSB



- On double door cabinets (30" or wider) the center stile can be removed. When this is done, a mullion strip is attached to the left door
- Solid wood
- Painted hardwood supplied for EverCore®
- Painted or Stained hardwood supplied for Wood-Grain Foil door styles
- Unavailable with butt door cabinets
- **Note:** This option applies to base cabinets only
- (CW) option unavailable
- (CH) option unavailable
- Unavailable for use on cabinets with Roll-out Trays installed

PE	TWR
APC	WR
APFC	XS
FPEB	XSG
MI	XSB
FBC	IW
DE	IB
OE	IT
AD_E	GD
CW	PTKV
RD	RTK
ID	RTKP
CH	VTK
IF	TKD

## Mullion Strip Peninsula Base - Void Center Stile

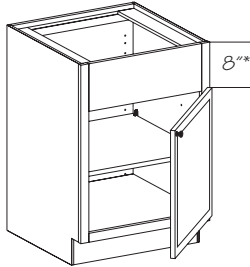


**MSPBK** Kitchen Side  
**MSPBP** Peninsula Side  
**MSPBB** Both Sides

- On double door cabinets (30" or wider) the center stile can be removed. When this is done, a mullion strip is attached to the left door
- Solid wood
- Painted hardwood supplied for EverCore®
- Painted or Stained hardwood supplied for Wood-Grain Foil door styles
- Unavailable with butt door cabinets
- **Note:** This option applies to base peninsula cabinets only
- Unavailable for use on cabinets with Roll-out Trays installed

PE	TWR
APC	WR
APFC	XS
FPEB	XSG
MI	XSB
FBC	IW
DE	IB
OE	IT
AD_E	GD
CW	PTKV
RD	RTK
ID	RTKP
CH	VTK
IF	TKD

## Top Wide Rail

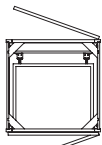


**TWRB** Both Sides  
**TWRK** Kitchen Side  
**TWRP** Peninsula Side

- We offer many base and vanity cabinets with a Top Wide Rail option
- When Both Sides are selected, the cabinet is unavailable with a drawer box or drawer fronts
- When Kitchen side is selected, the drawer box will be three inches shallower than the standard drawer box and will open to the Peninsula side
- When Peninsula side is selected, the drawer box will be three inches shallower than the standard drawer box and will open to the Kitchen side. See Illustration
- Quartersawn door styles have quartersawn top wide rail, cabinet frame is plain sawn wood
- Painted hardwood supplied for EverCore®

PE	● TWR
APC	WR
APFC	XS
FPEB	XSG
MI	XSB
FBC	IW
DE	IB
OE	IT
AD_E	GD
CW	PTKV
RD	RTK
ID	RTKP
CH	VTK
IF	TKD

Peninsula side



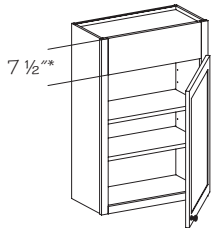
Kitchen side

\*The reveal on a cabinet with TWR varies depending on the door overlay. See Chart.

Overlay	1/2"	Full
Reveal	7 1/2"	6 7/8"

## Wall Top Wide Rail

**WTWR** 7 1/2"



\*The reveal on a cabinet with WTWR varies depending on the door overlay. See Chart.

Overlay	1/2"	Full
18" H	6 1/2"	5 7/8"
24" H	7 1/2"	6 7/8"
All other walls	7"	6"

- Many wall cabinets can be ordered with a wide top rail
- (WTWR) available on 12"–36" high cabinets only
- Unavailable on 27" high cabinets
- This option will add 6" to the interior and exterior nominal height
- Quartersawn door styles have quartersawn top wide rail, cabinet frame is plain sawn wood
- Top rail on 18" high cabinets will be 7", on 24" high cabinets 8", all other heights 7 1/2"
- (CW) option unavailable
- (CH) option unavailable
- Painted hardwood supplied for EverCore®

PE	● TWR
APC	WR
APFC	XS
FPEB	XSG
MI	XSB
FBC	IW
DE	IB
OE	IT
AD_E	GD
CW	PTKV
RD	RTK
ID	RTKP
CH	VTK
IF	TKD

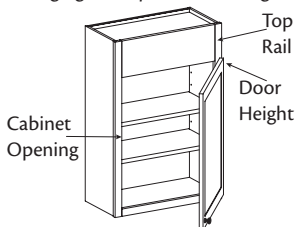


Remember, any replacement doors, interior accessories or options, including shelves, are based on the size of original cabinet, not the height after WTWR is added

## Change Top Rail

**CTR**

Changing the top rail also changes:











- Available with a 5% upcharge
- Many wall and tall cabinets can be ordered with a wide top rail
- (CTR) can be modified in 1/16" increments; with a min. of 1/16" or a max. of 6"
- The selected dimension will be added to the top rail and will equally reduce the cabinet opening and door height; the overall cabinet height will be unchanged
- (CW) can be used along with (CTR)
- (CH) option unavailable
- Example for (CTR): W2136L-CTR change rail by 2 1/4" (33 3/4"); U242484BUTT-CTR change rail by 1" (83")

PE	● TWR
APC	WR
APFC	XS
FPEB	XSG
MI	XSB
FBC	IW
DE	IB
OE	IT
AD_E	GD
CW	PTKV
RD	RTK
ID	RTKP
CH	VTK
IF	TKD










## Cabinet Valance Options

			<i>Corbel Valance</i> <b>VCB</b> 5 1/2"
			<i>Crown Valance</i> <b>VCR</b> 5 1/2"
			<i>Cove Valance</i> <b>VCV</b> 4 1/2"
			<i>Furniture Valance</i> <b>VF</b> 3 1/2"
			<i>Shaker Arched Valance</i> <b>VSH</b> 5 1/2"
			<i>Straight Rail Valance</i> <b>VST</b> 1 1/2" <b>VTWR</b> 6"
			<i>Victorian Valance</i> <b>VVIC</b> 5 1/2"

- On Furniture Cabinets and Wall Open Cabinets, the top rail can be ordered with an optional decorative valance
- WOC cabinets are manufactured with no valance as standard
- Valance options available in cabinets 15" and wider
- Painted hardwood supplied for EverCore® and Thermofoil

PE	TWR
APC	WR
APFC	XS
FPEB	XSG
MI	XSB
FBC	IW
DE	IB
OE	IT
AD_E	GD
CW	PTKV
RD	RTK
ID	RTKP
CH	VTK
IF	TKD

## Decorative Wide Rail Options

		<i>Wide Rail Plain</i> <b>WRB</b> <b>WRK</b> <b>WRP</b>
		<i>Wide Rail Corbel</i> <b>WRCBB</b> <b>WRCBK</b> <b>WRCBP</b>
		<i>Wide Rail Crown</i> <b>WRCRB</b> <b>WRCRK</b> <b>WRCRP</b>
		<i>Wide Rail Furniture</i> <b>WRFB</b> <b>WRFK</b> <b>WRFP</b>
		<i>Wide Rail Shaker</i> <b>WRSHB</b> <b>WRSHK</b> <b>WRSHP</b>

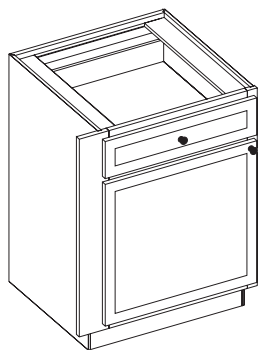
- We offer many base and tall cabinets with a variety of wide bottom rail options (WR)
- B=Both  
K=Kitchen side  
P=Peninsula side
- Decorative wide bottom rail only available on cabinets 15" or wider
- Ships with black toe kick installed, except for Wide Rail Plain. Order Matching toe kick separately and install before cabinet installation
- RTK and WR are unavailable on same cabinet, except when combining WR\_K and RTKP
- In quartersawn door styles, Wide Rail Plain will be quartersawn; all other decorative wide rail options will be plain sawn
- Unavailable on 93" and 96" high tall cabinets
- Quartersawn door styles are supplied plain sawn
- Painted hardwood supplied for EverCore® and Thermofoil

PE	TWR
APC	WR
APFC	XS
FPEB	XSG
MI	XSB
FBC	IW
DE	IB
OE	IT
AD_E	GD
CW	PTKV
RD	RTK
ID	RTKP
CH	VTK
IF	TKD



Remember, WRA-Wide Bottom Rail Arched Fret, WRSH-Shaker, WRA-Arched, WRCR-Crown, WRCB-Corbel, WRCV-Cove, and WRF-Furniture come with black toe kick behind. To finish the toe kick, order MTK8 or WMTK8 and apply it before cabinet installation

### Extended Stile



*Base*  
**B3 XB**  
**B3 XR or L**  
**PB3 XBB**  
**PB3 XBK or P**  
**PB3 XR or LB**  
**PB3 XR or LK**  
**PB3 XR or LP**

*Wall*  
**W3 XB**  
**W3 XR or L**  
**PW3 XBB**  
**PW3 XBK or P**  
**PW3 XR or LB**  
**PW3 XR or LK**  
**PW3 XR or LP**

*Tall*  
**T3 XB**  
**T3 XR or L**

*Vanity*  
**V3 XB**  
**V3 XR or L**

*Change Extended Stile Dimension*

*Base*  
**B3 XR or L.CX**

*Wall*  
**W3 XR or L.CX**

*Tall*  
**T3 XR or L.CX**

*Vanity*  
**V3 XR or L.CX**

- Specify R or L
- 3" extended stiles are available. Stiles may be extended left, right or both
- Use wall nomenclature for Furniture cabinets up to 66" high
- (CX) is unavailable on both side of cabinet or on Peninsula cabinets
- (CX) can be modified in 1/16" increments; min. of 1/16"; max. of 2 15/16"
- Painted hardwood supplied for EverCore®
- Example: B12L-B3XL. Order designation XL means 3" extended stile left, overall cabinet width is 15"
- Example for (CX): B12L-B3XL.CX change stile to 3/4"

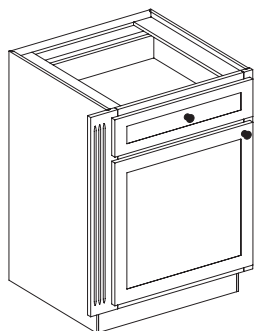
PE	TWR
APC	WR
APFC	● XS
FPEB	XSG
MI	XSB
FBC	IW
DE	IB
OE	IT
AD_E	GD
CW	PTKV
RD	RTK
ID	RTKP
CH	VTK
IF	TKD

Cabinet	Left	Right	Left & Right
Wall	W3XL	W3XR	W3XB
Tall	T3XL	T3XR	T3XB
Base	B3XL	B3XR	B3XB
Vanity	V3XL	V3XR	V3XB

Cabinet	Left	Right	Left & Right
Peninsula Wall (Kitchen side)	PW3XLK	PW3XRK	PW3XBK
Peninsula Wall (Peninsula side)	PW3XLP	PW3XRP	PW3XBP
Peninsula Wall (Both sides)	PW3XLB	PW3XRB	PW3XBB

Cabinet	Left	Right	Left & Right
Peninsula Base (Kitchen side)	PB3XLK	PB3XRK	PB3XBK
Peninsula Base (Peninsula side)	PB3XLP	PB3XRP	PB3XBP
Peninsula Base (Both sides)	PB3XLB	PB3XRB	PB3XBB

### Fluted Extended Stile



*Base*  
**FB3 XB**  
**FB3 XR or L**  
**FPB3 XBB**  
**FPB3 XR or LB**  
**FPB3 XR or LK**  
**FPB3 XBK or P**  
**FPB3 XR or LP**

*Wall*  
**FW3 XB**  
**FW3 XR or L**  
**FPW3 XBB**  
**FPW3 XR or LB**  
**FPW3 XR or LK**  
**FPW3 XBK or P**  
**FPW3 XR or LP**

*Tall*  
**FT3 XB**  
**FT3 XR or L**

*Vanity*  
**FV3 XB**  
**FV3 XR or L**

- Specify R or L
- 3" extended stiles are available. Stiles may be extended left, right or both
- Use wall nomenclature for Furniture cabinets up to 66" high
- Min. cabinet height 12"
- Painted hardwood supplied for EverCore®
- Quartersawn door styles are supplied plain sawn
- (CH) option unavailable
- Example: B12L-FB3XL. Order designation XL means 3" extended stile left, overall cabinet width is 15"

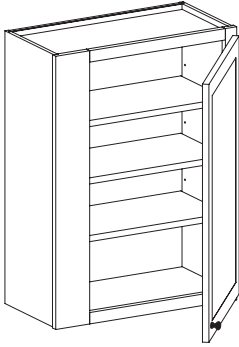
PE	TWR
APC	WR
APFC	● XS
FPEB	XSG
MI	XSB
FBC	IW
DE	IB
OE	IT
AD_E	GD
CW	PTKV
RD	RTK
ID	RTKP
CH	VTK
IF	TKD

Cabinet	Left	Right	Left & Right
Wall	FW3XL	FW3XR	FW3XB
Tall	FT3XL	FT3XR	FT3XB
Base	FB3XL	FB3XR	FB3XB
Vanity	FV3XL	FV3XR	FV3XB

Cabinet	Left	Right	Left & Right
Peninsula Wall (Kitchen side)	FPW3XLK	FPW3XRK	FPW3XBK
Peninsula Wall (Peninsula side)	FPW3XLP	FPW3XRP	FPW3XBP
Peninsula Wall (Both sides)	FPW3XLB	FPW3XRB	FPW3XBB

Cabinet	Left	Right	Left & Right
Peninsula Base (Kitchen side)	FPB3XLK	FPB3XRK	FPB3XBK
Peninsula Base (Peninsula side)	FPB3XLP	FPB3XRP	FPB3XBP
Peninsula Base (Both sides)	FPB3XLB	FPB3XRB	FPB3XBB

## Integrated Extended Stile



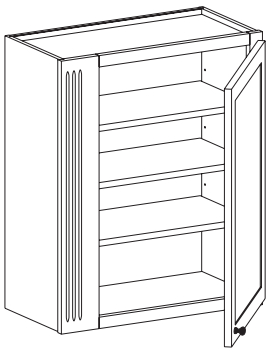
Base  
**BG3 XB**  
**BG3 XR or L**  
 Wall  
**WG3 XB**  
**WG3 XR or L**

Nomenclature	Application
XB	Extended Stile Both Sides
XR	Extended Stile Right Side
XL	Extended Stile Left Side

- Specify R or L
- 3" integrated extended stiles are available. Stiles may be extended left, right or both
- Deluxe Roll-out Trays are unavailable in base cabinets with this option
- WG3XB is unavailable on wall cabinets that have a built-in center stile
- (CW) option unavailable
- (CH) option unavailable
- Painted hardwood supplied for EverCore®
- Example: B12L-BG3XL. Order designation G3XL means 3" integrated extended stile left, overall cabinet width is 15"
- Unavailable to be used with Integrated Decorative Ends

PE	TWR
APC	WR
APFC	XS
FPEB	● XSG
MI	XSB
FBC	IW
DE	IB
OE	IT
AD_E	GD
CW	PTKV
RD	RTK
ID	RTKP
CH	VTK
IF	TKD

## Fluted Integrated Extended Stile

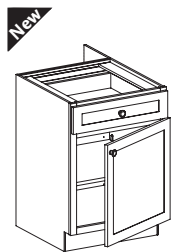


Base  
**FBG3 XB**  
**FBG3 XR or L**  
 Wall  
**FWG3 XB**  
**FWG3 XR or L**

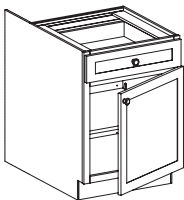
- Specify R or L
- 3" integrated extended stiles are available. Stiles may be extended left, right or both
- FWG3XB is unavailable on wall cabinets that have a built-in center stile
- Painted hardwood supplied for EverCore®
- Quartersawn door styles are supplied plain sawn
- (CW) option unavailable
- (CH) option unavailable
- Example: B12L-FBG3XL. Order designation G3XL means 3" integrated extended stile left, overall cabinet width is 15"
- Unavailable to be used with Integrated Decorative Ends

PE	TWR
APC	WR
APFC	XS
FPEB	● XSG
MI	XSB
FBC	IW
DE	IB
OE	IT
AD_E	GD
CW	PTKV
RD	RTK
ID	RTKP
CH	VTK
IF	TKD

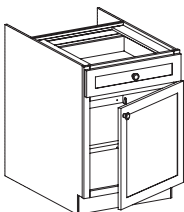
## Extended Side (End Panel) Back



Right



Left



Both

Wall  
**XSB WR or WL**  
**XSB WB**  
 Base  
**XSB BR or BL**  
**XSB BB**  
 Vanity  
**XSB VR or VL**  
**XSB VB**  
 Desk  
**XSB DR or DL**  
**XSB DB**

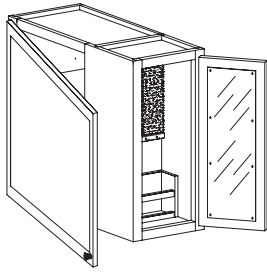
Grey color coding indicates new product, size or code.

- Specify R or L
- Available on Base, Wall, Vanity and Desk cabinets only (excludes Tall Cabinets)
- Cabinet construction defaults to (FPEB); if All Plywood Construction is desired, use (APFC) option
- Side panels can be modified in 1/16" increments; 3 1/2" minimum required. Extended End can be field trimmed to 1"
- Max. depth a side can be extended is 12" beyond the cabinet box depth; 27" deep cabinets can only be extended by 9", excluding Wall cabinets, where end panels **cannot** exceed a total depth of 27"
- Cabinets will require additional framing support for installation, **not** supplied
- (AD\_E) option unavailable
- (RTK) and (RTKP) options unavailable
- Example: B24BUTT-XSBL 7" (overall depth is 31"; W3030BUTT-XSBR 9" (overall depth is 21"); B30BUTTRD 20"-XSBB4" (overall depth is 24")
- End panels **must** be the same depth if "Both" ends are extended
- XSBWB is unavailable on cabinets wider than 27"



Apply Narrow batten molding if using for island applications

PE	TWR
APC	WR
APFC	XS
◆ FPEB	XSG
MI	● XSB
FBC	IW
DE	IB
OE	IT
AD_E	GD
CW	PTKV
RD	RTK
ID	RTKP
CH	VTK
IF	TKD



### Integrated Message Center - Wall

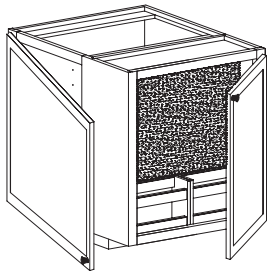
#### IMCW .R or L

- Specify R or L
- Available on 12" deep cabinets only
- Available on cabinets 18"-36" wide; 30"-36" wide cabinets need to have BUTT doors
- Available on cabinets 30", 33", 36", 39", and 42" high
- Message Center section is 6" wide (deep)
- Cabinet width remains the same, cabinet opening becomes 6" narrower
- Includes: Dry erase board, key hooks, cork board and Utensil organizer
- Cabinet construction defaults to (APFC) when this option is selected
- The overall width of a cabinet will increase by 1/16", when Integrated Message Center Wall is selected
- Rear frame stile on Integrated section is 2 1/2" wide
- **Not** available on cabinets where width, depth, or height modifications (CW, ID, RD, CH) have been made

PE	TWR
APC	WR
APFC	XS
FPEB	XSG
MI	XSB
FBC	● IW
DE	IB
OE	IT
AD_E	GD
CW	PTKV
RD	RTK
ID	RTKP
CH	VTK
IF	TKD



Note: When a hinged door is attached to a 2 1/2" stile the door will be 1" narrower than a standard door. Keep this in mind when stacking cabinets



### Integrated Message Center - Base

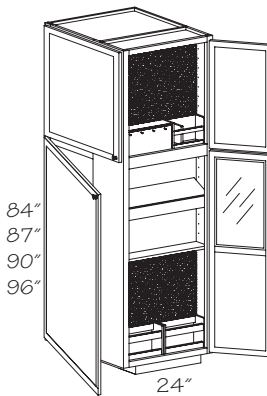
#### IMCB .R or L

- Specify R or L
- Available on 24" deep cabinets only
- Available on cabinets 18"-36" wide; 30"-36" wide cabinets need to have BUTT doors
- Available on 34 1/2" high cabinets
- Message Center section is 6" wide (deep)
- Cabinet width remains the same, cabinet opening becomes 6" narrower
- Includes cork board and two built-in magazine racks
- Cabinet construction defaults to (APFC) when this option is selected
- The overall width of a cabinet will increase by 1/16", when Integrated Message Center Base is selected
- Rear frame stile on Integrated section is 2 1/2" wide
- **Not** available on cabinets where width, depth, or height modifications (CW, ID, RD, CH) have been made

PE	TWR
APC	WR
APFC	XS
FPEB	XSG
MI	XSB
FBC	IW
DE	● IB
OE	IT
AD_E	GD
CW	PTKV
RD	RTK
ID	RTKP
CH	VTK
IF	TKD



Note: When a hinged door is attached to a 2 1/2" stile the door will be 1" narrower than a standard door. Keep this in mind when stacking cabinets



### Integrated Message Center - Utility

#### IMCU .R or L

- Specify R or L
- Available on 24" deep cabinets only
- Available on cabinets 18"-36" wide; 30"-36" wide cabinets need to have BUTT doors
- Available on 84", 87", 90", 93", and 96" high cabinets
- Message Center section is 6" wide (deep)
- Cabinet width remains the same, cabinet opening becomes 6" narrower
- Top section features: Key hooks, cork board and organizer unit
- Bottom section features: Dry erase board, cork board, 2 magazine racks, 1 shelf, charging station (two - three-prong and two USB outlets)
- Requires separate power source in bottom section
- Cabinet construction defaults to (APFC) when this option is selected
- The overall width of a cabinet will increase by 1/16", when Integrated Message Center Utility is selected
- Rear frame stile on Integrated section is 2 1/2" wide
- **Note:** Integrated Message Centers are only available on Utility and Utility Stack cabinets
- **Not** available on cabinets where width, depth, or height modifications (CW, ID, RD, CH) have been made

PE	TWR
APC	WR
APFC	XS
FPEB	XSG
MI	XSB
FBC	IW
DE	IB
OE	● IT
AD_E	GD
CW	PTKV
RD	RTK
ID	RTKP
CH	VTK
IF	TKD

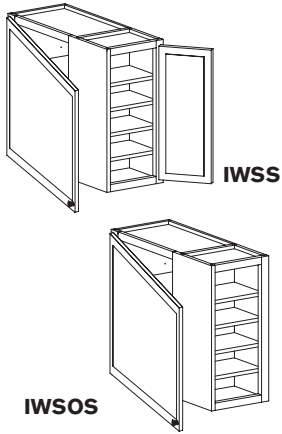


Be sure to order a shelf kit that is 6" narrower (nominally) than the cabinet width when using Integrated Storage options. Order Example: U302484BUTT-IMCU.R requires a SK2424



Note: When a hinged door is attached to a 2 1/2" stile the door will be 1" narrower than a standard door. Keep this in mind when stacking cabinets

## Integrated Wall Spice Shelf and Open Integrated Storage



Integrated Spice Shelf Wall  
**IWSS .R or L**  
Open Integrated Storage  
**IWSOS .R or L**

- Specify R or L
- Available on 12" deep cabinets only
- Available on cabinets 18"-36" wide; 30"-36" wide cabinets need to have BUTT doors
- Available on cabinets 30", 33", 36", 39", and 42" high
- Spice Shelf and Open Integrated Storage section is 6" wide
- Cabinet width remains the same, cabinet opening becomes 6" narrower
- Cabinet construction defaults to (APFC) when this option is selected
- The overall width of a cabinet will increase by 1/16", when Integrated Wall Spice Shelf or Open Integrated Storage is selected
- Rear frame stile on Integrated section is 2 1/2" wide
- **Not** available on cabinets where width, depth, or height modifications (CW, ID, RD, CH) have been made

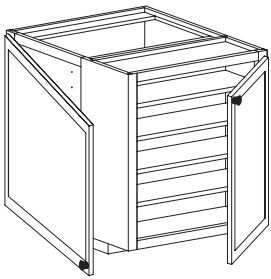
PE	TWR
APC	WR
APFC	XS
FPEB	XSG
MI	XSB
FBC	● IW
DE	IB
OE	IT
AD_E	GD
CW	PTKV
RD	RTK
ID	RTKP
CH	VTK
IF	TKD



Note: When a hinged door is attached to a 2 1/2" stile the door will be 1" narrower than a standard door. Keep this in mind when stacking cabinets

## Integrated Base Spice Shelf

**IBSS .R or L**



- Specify R or L
- Available on 24" deep cabinets only
- Available on cabinets 18"-36" wide; 30"-36" wide cabinets need to have BUTT doors
- Available on 34 1/2" high cabinets
- Cabinet width remains the same, cabinet opening becomes 6" narrower
- Cabinet construction defaults to (APFC) when this option is selected
- The overall width of a cabinet will increase by 1/16", when Integrated Base Spice Shelf is selected
- Rear frame stile on Integrated section is 2 1/2" wide
- **Not** available on cabinets where width, depth, or height modifications (CW, ID, RD, CH) have been made

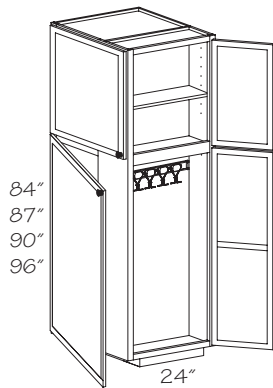
PE	TWR
APC	WR
APFC	XS
FPEB	XSG
MI	XSB
FBC	IW
DE	● IB
OE	IT
AD_E	GD
CW	PTKV
RD	RTK
ID	RTKP
CH	VTK
IF	TKD



Note: When a hinged door is attached to a 2 1/2" stile the door will be 1" narrower than a standard door. Keep this in mind when stacking cabinets

## Integrated Utility Cleaning Storage

**IUCS .R or L**



Utility Extended Bottom (UEB) shown

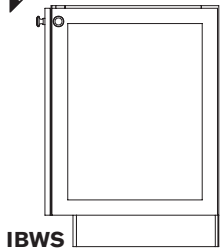
- Specify R or L
- Available on 24" deep cabinets only
- Available on cabinets 18"-36" wide; 30"-36" wide cabinets need to have BUTT doors
- Available on 84", 87", 90", 93", and 96" high cabinets
- Cleaning storage section is 6" wide (deep)
- Cabinet width remains the same, cabinet opening becomes 6" narrower
- Cabinet construction defaults to (APFC) when this option is selected
- The overall width of a cabinet will increase by 1/16", when Integrated Utility Cleaning Storage is selected
- Rear frame stile on Integrated section is 2 1/2" wide
- **Note:** Integrated Cleaning Supply only available with Utility Extended Bottom cabinet
- **Not** available on cabinets where width, depth, or height modifications (CW, ID, RD, CH) have been made

PE	TWR
APC	WR
APFC	XS
FPEB	XSG
MI	XSB
FBC	IW
DE	IB
OE	● IT
AD_E	GD
CW	PTKV
RD	RTK
ID	RTKP
CH	VTK
IF	TKD



Note: When a hinged door is attached to a 2 1/2" stile the door will be 1" narrower than a standard door. Keep this in mind when stacking cabinets

New



IBWS

## Integrated Base Wine Storage & Wine Open Storage

### Integrated Base Wine Storage

Aluminum  
**IBWS R or L.AL**

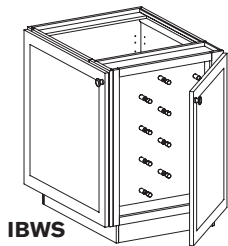
Matte Black  
**IBWS R or L.MB**

### Integrated Base Wine Open Storage

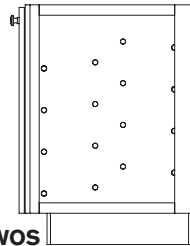
Aluminum  
**IBWOS R or L.AL**

Matte Black  
**IBWOS R or L.MB**

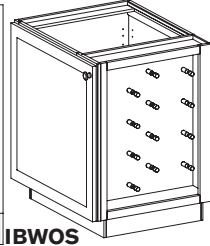
Grey color coding indicates new product, size or code.



IBWS



IBWOS

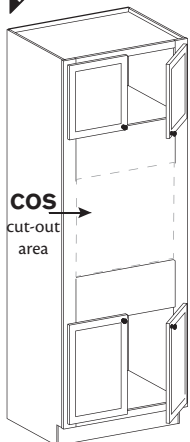


IBWOS

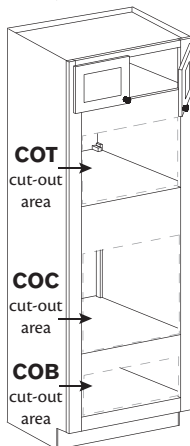
- Specify R or L
- Available for 24" deep cabinets only
- Available on cabinets 18"-36" wide; 30"-36" wide cabinets need to have BUTT doors; overall cabinet width will **not** change
- Available on 34 1/2" high cabinets
- Wine Storage section is 6" wide (deep)
- Cabinet width remains the same, cabinet opening becomes 6" narrower
- Cabinet construction defaults to (APFC) when this option is selected
- Wine storage section will be Matching Interior standard. Select (MIAPFC) if matching interior is desired for the root cabinet
- .AL has aluminum bottle rests; .MB has Matte Black bottle rests
- Holds 8 bottles
- **Not** available on cabinets where width, depth, or height modifications (CW, ID, RD, CH) have been made

PE	TWR
APC	WR
APFC	XS
FPEB	XSG
MI	XSB
FBC	IW
DE	IB
OE	IT
AD_E	GD
CW	PTKV
RD	RTK
ID	RTKP
CH	VTK
IF	TKD

New



COS  
cut-out area



COT  
cut-out area

COC  
cut-out area

COB  
cut-out area

## Oven Cabinet Cut-out

### Single cut-out

※ **COS**

### Top cut-out

● **COT**

### Center cut-out

● **COC**

### Bottom cut-out

● **COB**

※ Available on BBMC, BOCU, all OC\_S, OC\_S.2D, OC\_DD, OC\_D, OC\_D.DD and OC\_DE cabinets

● Available on FOC\_C and OC\_C.D cabinets

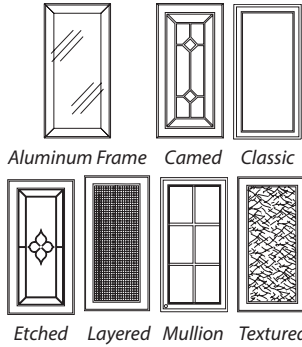
Grey color coding indicates new product, size or code.

- Available with an upcharge: 30% COS, 20% COT, COC, COB
- Cut-out (COS, COT, COC and COB) options help make appliance installations easier by eliminating required field-cuts to the cabinet face frame
- (COS) is available on Single and Double Oven cabinets, Base Oven Cabinet Universal and Base Built-In Microwave Cabinets - with one cutout opening. Examples: OC302484S-COS, OC332496D-COS, BOCU30-COS, BBMC272434-COS
- (COS) is **not** available on Oven Cabinet Combination (OC\_C) - COT, COC or COB options **must** be used on this cabinet type
- (COT, COC, and COB) is only available on Oven Cabinet Combination
- (COT, COC, COB) can be used together on the same cabinet - max. dimensions will vary for (COC) depending on the cut-out dimensions used for (COT). See min./max. chart for details; located in Tall Appliance Cabinet section
- Cut-out opening is unable to exceed the max. dimensions listed for each Oven Cabinet
- (CW) option unavailable
- Available with (MIFA) option

PE	TWR
APC	WR
APFC	XS
FPEB	XSG
MI	XSB
FBC	IW
DE	IB
OE	IT
AD_E	GD
CW	PTKV
RD	RTK
ID	RTKP
CH	VTK
IF	TKD

## Glass Door Inserts

### GD



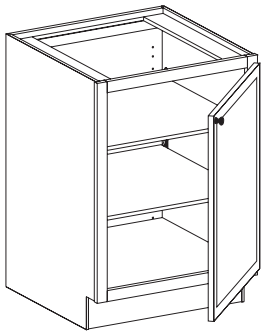
- For complete listing of glass door specifications, see Decorative Doors and Inserts section
- **Note:** Most doors (12" or wider and up to 62" high) can be supplied prepared for glass, with glass inserts, Mullion glass or Aluminum Frame doors
- **Annealed Glass** - Glass that has been cooled with precise control to relieve stress introduced by the manufacturing process, making the glass workable (i.e. easier to cut); **not** safety glass
- **Laminated Safety Glass** - When broken, laminated safety glass is held together by the adhesives that are used in the manufacturing process. This generally helps keep large pieces of glass from falling from the opening. Nevertheless, small pieces and/or chips may still fall, and the precise size of pieces of glass that will break is difficult to identify and describe
- **Tempered Glass** - Tempering uses either a thermal or chemical process to quickly harden the glass, which compresses its surface. Compressing the surface increases the amount of tensile stress that can be endured before breakage occurs. When it does break, tempered glass generally breaks into very small pieces

PE	TWR
APC	WR
APFC	XS
FPEB	XSG
MI	XSB
FBC	IW
DE	IB
OE	IT
AD_E	GD
CW	PTKV
RD	RTK
ID	RTKP
CH	VTK
IF	TKD



Remember, matching interior is not standard when attaching glass doors to a cabinet. We highly recommend upgrading to matching interior.

## Full-Height Doors



### FHB

Full Height Both Sides (Peninsula cabinets only)

### FHK

Full Height Kitchen Side (Standard and peninsula cabinets)

### FHP

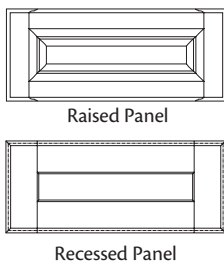
Full Height Peninsula Side (Peninsula cabinets only)

- This option is designed to replace a drawer and door combination with a full-height door. Any cabinet that has accessories in the top drawer, (Example: BCC36); or a stack of drawers next to door, (Example: VCD42) is unavailable in this option
- Available in select base, vanity and desk cabinets
- (CW) option unavailable
- (CH) option unavailable

PE	TWR
APC	WR
APFC	XS
FPEB	XSG
MI	XSB
FBC	IW
DE	IB
OE	IT
AD_E	GD
CW	PTKV
RD	RTK
ID	RTKP
CH	VTK
IF	TKD

## Deluxe Raised or Recessed Panel Drawer Front

### DRPD



- Converts standard drawer front to a five-piece design
- Reference the door style section for specific details on drawer front design by size

PE	TWR
APC	WR
APFC	XS
FPEB	XSG
MI	XSB
FBC	IW
DE	IB
OE	IT
AD_E	GD
CW	PTKV
RD	RTK
ID	RTKP
CH	VTK
IF	TKD

## Classic Drawer Front

### CLDF



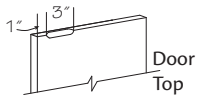
- Reference the door style section for specific details on drawer front design by size

PE	TWR
APC	WR
APFC	XS
FPEB	XSG
MI	XSB
FBC	IW
DE	IB
OE	IT
AD_E	GD
CW	PTKV
RD	RTK
ID	RTKP
CH	VTK
IF	TKD

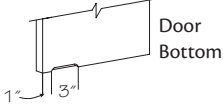
## Finger Pull Routing

### FPR

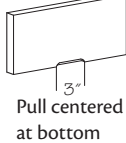
#### Standard Base Cabinet Door Pull



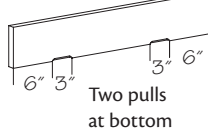
#### Standard Wall Cabinet Door Pull



#### Base Drawer Front B12"–B27"



#### Base Drawer Front B30"–B48"

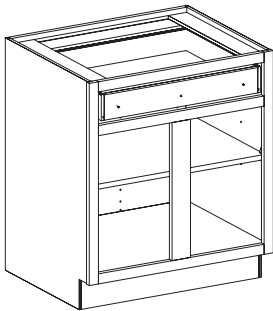


- Finger Pull Routing is done on the backside of the door or drawer front, opposite of hinging
- Specify FPR after each cabinet that requires Finger Pull Routing
- Drawer heads 30" and wider will receive two routs
- Available on Ellery–Half, Fox Hill Roman & Square–Half, Geneva Roman & Square–Half and Thornton–Half
- False fronts on sink bases will be routed with this option
- Unavailable in EverCore®

PE	TWR
APC	WR
APFC	XS
FPEB	XSG
MI	XSB
FBC	IW
DE	IB
OE	IT
AD_E	GD
CW	PTKV
RD	RTK
ID	RTKP
CH	VTK
IF	TKD

## Void All Doors and Drawer Fronts

### VDA

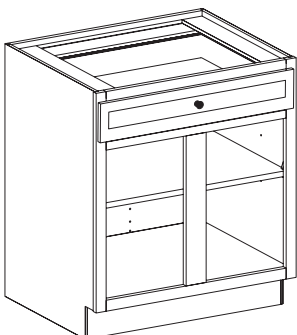


- Available with a -15% downgrade
- All cabinets can be ordered with VDA, which removes all doors, drawer fronts and hinges; drawer boxes remain
- Note:** VDA only removes doors and drawer fronts. Panels and center stiles will still be attached

PE	TWR
APC	WR
APFC	XS
FPEB	XSG
MI	XSB
FBC	IW
DE	IB
OE	IT
AD_E	GD
CW	PTKV
RD	RTK
ID	RTKP
CH	VTK
IF	TKD

## Void Doors Only

### VDO

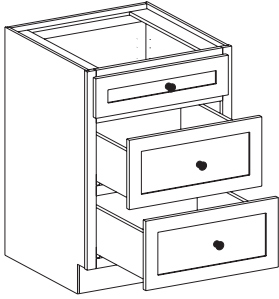


- Available with a -5% downgrade
- Cabinets with a door and drawer combination may be ordered with VDO. This option removes all doors and hinges; drawer fronts and boxes remain

PE	TWR
APC	WR
APFC	XS
FPEB	XSG
MI	XSB
FBC	IW
DE	IB
OE	IT
AD_E	GD
CW	PTKV
RD	RTK
ID	RTKP
CH	VTK
IF	TKD



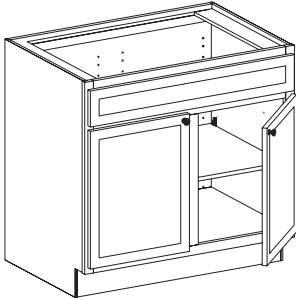
**Void Top Drawer Box  
VTDW**



- Available with no upcharge (N/C)
- This option removes top drawer box and runner system on multi-drawer stacks
- Drawer fronts will be attached as a false front
- **Note:** This option will affect the top drawer only

PE	TWR
APC	WR
APFC	XS
FPEB	XSG
MI	XSB
FBC	IW
DE	IB
OE	IT
AD_E	GD
CW	PTKV
RD	RTK
ID	RTKP
CH	VTK
IF	TKD

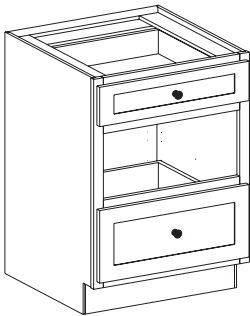
**Void All Drawer Boxes  
VDW**



- Available with no upcharge (N/C)
- This option removes all drawer boxes and runner systems
- Drawer fronts will be attached as a false front
- **Note:** This option will affect all drawers on a cabinet

PE	TWR
APC	WR
APFC	XS
FPEB	XSG
MI	XSB
FBC	IW
DE	IB
OE	IT
AD_E	GD
CW	PTKV
RD	RTK
ID	RTKP
CH	VTK
IF	TKD

**Prep for Warming Drawer  
PWD**



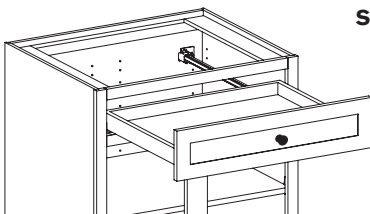
- Available with a 20% upcharge
- This option removes the center drawer box, drawer front and runner system of a BPPS to allow for field installation of a warming drawer only
- Check manufacturer's requirements before ordering
- Available on BPPS 24–36

PE	TWR
APC	WR
APFC	XS
FPEB	XSG
MI	XSB
FBC	IW
DE	IB
OE	IT
AD_E	GD
CW	PTKV
RD	RTK
ID	RTKP
CH	VTK
IF	TKD

Cut out dimensions

Cabinet	Min Wd	Max Wd	Min Ht	Max Ht
BPPS24	21"	22 1/2"	9 1/2"	10"
BPPS27	24"	25 1/2"	9 1/2"	10"
BPPS30	27"	28 1/2"	9 1/2"	10"
BPPS33	30"	31 1/2"	9 1/2"	10"
BPPS36	36"	34 1/2"	9 1/2"	10"

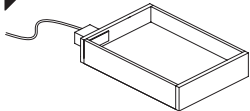
**Scoop Top Drawer  
STDW**



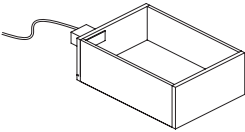
- Available with no upcharge (N/C)
- Reduced height drawer box for top drawer of base cabinet only
- 4" high drawer box reduced to 2 1/4" solid wood
- 7" high drawer box reduced to 4" solid wood
- 11" high drawer box reduced to 7" plywood

PE	TWR
APC	WR
APFC	XS
FPEB	XSG
MI	XSB
FBC	IW
DE	IB
OE	IT
AD_E	GD
CW	PTKV
RD	RTK
ID	RTKP
CH	VTK
IF	TKD

New



CGDO.4



CGDO.7

### Charging Drawer Option

4" Drawer  
CGDO .4  
7" Drawer  
CGDO .7

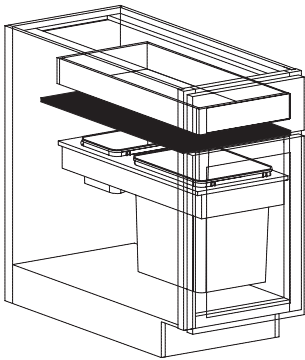
Grey color coding indicates new product, size or code.

- Solid wood drawer box
- (1) three-prong and (2) USB outlets; cord length for outlet is 6 ft.
- Drawer box prepared for Outlet-Insert
- Requires separate power source in the back of the cabinet
- Unavailable with 9" and 12" wide drawers
- Order example; B15R-CGDO.4; BPPS30-CGDO.7; DDR1818-CGDO.4; VB302134-CGDO.4
- **Note:** Applicable cabinets can be ordered with one CGDO.4 and one CGDO.7 in the same cabinet, however, multiple quantities of the same nomenclature **cannot** be applied to the same cabinet (Example: BD24-CGDO.4-CGDO.7 is available, BD24-CGDO.4-CGDO.4 is unavailable). Charging drawers are applied from top to bottom in order of drawer size and option size selected

PE	TWR
APC	WR
APFC	XS
FPEB	XSG
MI	XSB
FBC	IW
DE	IB
OE	IT
AD_E	GD
CW	PTKV
RD	RTK
ID	RTKP
CH	VTK
IF	TKD

### Wastebasket Drawer Partition

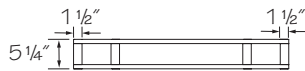
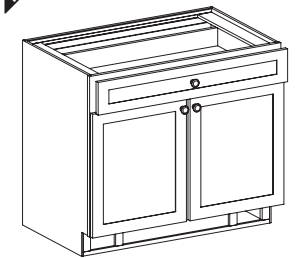
WDP



- Partition between the wastebasket and top drawer
- Available on all Wastebasket cabinets with a top drawer
- Unavailable with (DE)
- Unavailable with (OE) option

PE	TWR
APC	WR
APFC	XS
FPEB	XSG
MI	XSB
FBC	IW
DE	IB
OE	IT
AD_E	GD
CW	PTKV
RD	RTK
ID	RTKP
CH	VTK
IF	TKD

New



### Prepare for Toe Kick Vent

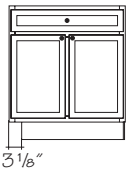
PTKV

Grey color coding indicates new product, size or code.

- Available on 15" - 60" wide cabinets with toe kicks
- Unavailable on 93" and 96" high tall cabinets
- Toe kick frame will be a mixture of solid wood and plywood material
- Contains two adjustable mounting blocks for duct work attachment; supplied in various hardwood types

PE	TWR
APC	WR
APFC	XS
FPEB	XSG
MI	XSB
FBC	IW
DE	IB
OE	IT
AD_E	GD
CW	● PTKV
RD	RTK
ID	RTKP
CH	VTK
IF	TKD

### Recessed Toe Kick

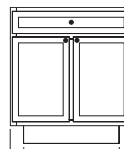


B30-RTKL  
Recessed toe kick left

RTKB Both  
RTKL Left  
RTKR Right

3 1/8"

B30-RTKR  
Recessed toe kick right



B30-RTKB  
Recessed toe kick both

3 1/8" 3 1/8" 3 1/8"

- Most Base, Tall and Vanity cabinets can be ordered with a recessed toe kick. Consult option availability chart for desired cabinet
- Specify end or ends to receive recessed toe kick
- Painted hardwood supplied for EverCore®
- Additional bottom support is recommended when using RTKB on peninsula cabinets wider than 27"
- RTK and WR are unavailable on same cabinet, except when combining WR\_K and RTKP
- Unavailable on 93" and 96" high tall cabinets
- (CW) option unavailable
- (CH) option unavailable

PE	TWR
APC	WR
APFC	XS
FPEB	XSG
MI	XSB
FBC	IW
DE	IB
OE	IT
AD_E	GD
CW	PTKV
RD	● RTK
ID	RTKP
CH	VTK
IF	TKD



We recommend Recessed Toe Kicks (RTKR or RTKL) on base cabinets at the end of peninsula runs or island applications.

## Recessed Toe Kick Peninsula



RTKP



RTKPB



RTKPL



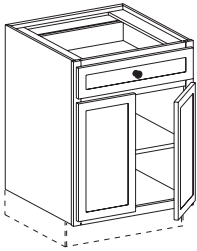
RTKPR

**RTKP** Back  
**RTKPB** Back and both sides  
**RTKPL** Back and left side  
**RTKPR** Back and right side

- Select Base and Office Cabinets may be ordered with a Recessed Toe Kick on the back (Peninsula) side. Consult option availability chart for desired cabinet
- Specify end or ends to receive Recessed Toe Kick Peninsula
- Painted hardwood supplied for EverCore®
- Additional bottom support is recommended when using RTKPB on cabinets wider than 27"
- RTK and WR are unavailable on same cabinet, except when combining WR\_K and RTKP
- Unavailable on cabinets less than 21" deep
- (CW) option unavailable
- (CH) option unavailable

PE	TWR
APC	WR
APFC	XS
FPEB	XSG
MI	XSB
FBC	IW
DE	IB
OE	IT
AD_E	GD
CW	PTKV
RD	RTK
ID	● RTKP
CH	VTK
IF	TKD

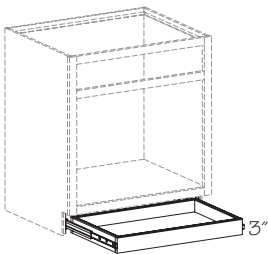
## Void Toe Kick VTK



- Available with a 10% upcharge
- Select Base, Tall, Office, Furniture and Vanity Cabinets may be ordered without the toe kick
- Allows decorative feet to be used under cabinet
- **Note:** Decorative feet or legs should support the cabinet by the end panels, **not** the cabinet floor
- Full overlay door styles are unable to be placed directly on the floor
- Attach cabinets to a wall stud or anchor to the floor to achieve sufficient stability; unintended to be free-standing
- Unavailable on Passport cabinets
- Unavailable on 93" and 96" high tall cabinets
- Unavailable with (WR) option
- Unavailable on cabinets with a decorative toe kick

PE	TWR
APC	WR
APFC	XS
FPEB	XSG
MI	XSB
FBC	IW
DE	IB
OE	IT
AD_E	GD
CW	PTKV
RD	RTK
ID	RTKP
CH	● VTK
IF	TKD

## Toe Kick Drawer TKD



- Available on cabinets 12" to 42" wide
- Available on cabinets 18" to 24" deep
- Unavailable on 93" and 96" Utility cabinets
- Unavailable on Wall cabinets, Corner cabinets, Angled cabinets, CoreGuard Sink Base or Passport cabinets
- (FBC) option is unavailable
- Unable to be used with (OE)
- Push-to-open side-mount drawer runners (**not** soft close) - with 100 lbs. weight capacity
- Drawer box is 3" high - 3/4" thick front, back and sides
- Drawer has 2 3/4" clearance to bottom of cabinet face frame
- Toe Kick Drawer is unable to be used as a stepping platform
- 7/8" clearance between the bottom of the end panel to the bottom of the drawer box
- Matching Toe Kick required - field trimmed/installed
- Unable to be used where obstacles protrude from the floor
- **Note:** Toe kick lighting should be recessed behind the cabinet with Toe Kick Drawers

PE	TWR
APC	WR
APFC	XS
FPEB	XSG
MI	XSB
FBC	IW
DE	IB
OE	IT
AD_E	GD
CW	PTKV
RD	RTK
ID	RTKP
CH	VTK
IF	● TKD

**Notes**

# Aluminum Frame Glass

Frames are brushed extruded aluminum. Combine a front or reverse frame and a glass style that offers the degree of content visibility you desire, from completely clear to totally obscure.

<b>3</b>	<b>FR</b>	<b>SAT</b>	<b>2</b>
quantity	frame code	glass code	height code

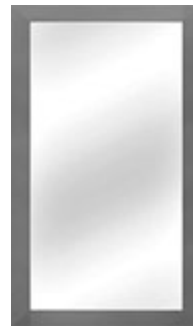
- Unavailable in High-Gloss Foil or Wood-Grain Foil slab door styles
- Available in full overlay door styles only
- (CW) & (CH) options unavailable

## Fresco Brushed Aluminum



All Positions  
12"-62" H  
Bistro Glass Insert  
**FRBIS**  
Dolace Glass Insert  
**FRDOL**  
Mirage Glass Insert  
**FRMIR**  
Satina Glass Insert  
**FRSAT**  
Silk Glass Insert  
**FRSLK**

## Vetro Brushed Aluminum



All Positions  
12"-62" H  
Bistro Glass Insert  
**VEBIS**  
Dolace Glass Insert  
**VEDOL**  
Mirage Glass Insert  
**VEMIR**  
Satina Glass Insert  
**VESAT**  
Silk Glass Insert  
**VESLK**

# Camed Glass

Camed glass designs use cut glass and zinc coming to create an artistic statement. The lines of the caming add stylish detail while creating visual interruptions in the glass and the objects displayed behind it.

<b>4</b>	<b>YKS</b>	<b>2</b>
quantity	code	height code

- Unavailable in High-Gloss Foil or Wood-Grain Foil slab door styles
- (CW) & (CH) options unavailable

## Chateau Insert



Front & Top Positions  
12"-42" H  
**CHA**

Lite Configurations



12" x 12"



12" wide



12" high

## Classic Camed Insert



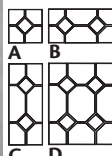
Front & Top Positions  
12"-42" H  
**CLI**

- Available in full overlay door styles only

## Palisades Insert



Front & Top Positions  
12"-42" H  
**PAL**



Cabinet Width	Cabinet Height			
	12	15	18	21-42
12	A	A	C	C
15-36	B	B	D	D
24BUTT	A	A	C	C
27BUTT*	A	A	C	C
30BUTT	B	B	D	D
33	B	B	D	D
34BUTT		B	D	D
36BUTT	B	B	D	D
37BUTT		B	D	D
39-48	B	B	D	D
WA24/27	B	B	D	D
(W)EZR24/36				C
WCA12		B	D	D

\*2 diamonds wide on full overlay w/stiles and rails  
2 1/4" or less

## Penrose Insert



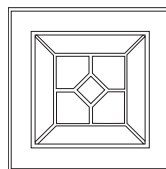
Front & Top Positions  
12"-42" H  
**PEN**

- 12" wide by 18" high full overlay doors are only available if they have 2 3/16" or 2 1/4" stiles and rails
- BUTT doors 24" wide need to be 24" high or higher
- No side petals on 24" BUTT doors

## Victorian Insert



Front & Top Positions  
12"-42" H  
**VIC**

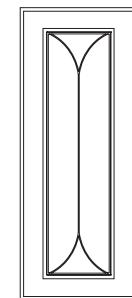


Doors 15" or less in height

## Yorkshire Insert



Front & Top Positions  
12"-42" H  
**YKS**



Doors 12" wide

## Classic Glass

Classic glass is simple, clean and timeless. Designs feature minimal patterns and textures. The choice of clear glass, with or without simple bevels, maximizes interior visibility.

<b>1</b>	<b>BIS</b>	<b>2</b>
quantity	code	height code

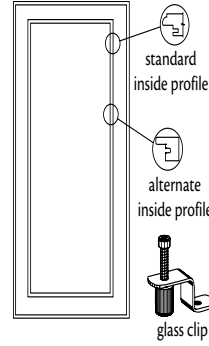
- Unavailable in High-Gloss Foil or Wood-Grain Foil slab door styles

### Bistro Insert



All Positions  
12"-62" H  
**BIS**

### Preped for Glass



All Positions  
12"-62" H  
**DRS .PREP**

- 9" wide doors unable to be prep for glass or inserts

### Prism Insert



All Positions  
12"-62" H  
**PRI**

- Unavailable in arch door styles
- Unavailable with applied molding doors
- (CW) & (CH) options unavailable

### Shadow Insert



Front & Top Positions  
12"-62" H  
**SHW**

## Etched Glass

These glass designs offer etched linear patterns or an overall fine, sanded texture into which a pattern or shape is etched. Visibility of cabinetry interiors is possible when some areas of the glass are left unetched.

<b>2</b>	<b>PRA</b>	<b>1</b>
quantity	code	height code

- Unavailable in High-Gloss Foil or Wood-Grain Foil slab door styles

### Modern Frosted Insert



Front & Top Positions  
12"-62" H  
**MRF**

- Available in full overlay door styles only
- Unavailable in arch door styles
- Unavailable with applied molding doors
- (CW) & (CH) options unavailable

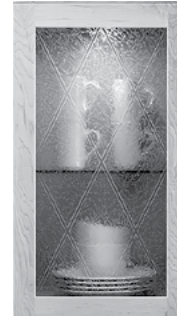
### Crossroads Insert



Front & Top Positions  
12"-62" H  
**CRO**

- Only available on doors 15" wide or wider
- (CW) & (CH) options unavailable

### Lisbon Insert



Front & Top Positions  
12"-62" H  
**LIS**

- (CW) & (CH) options unavailable

### Prairie Insert



Front & Top Positions  
12"-62" H  
**PRA**

- (CW) & (CH) options unavailable

### Satina Insert



All Positions  
12"-62" H  
**SAT**

## Layered Glass

Layered glass combines the durability of tempered glass with a choice of unique materials to create a special effect through color or pattern. The material is "sandwiched" between the glass layers for easy cleaning

<b>3</b>	<b>MIR</b>	<b>1</b>
quantity	code	height code

- Unavailable in High-Gloss Foil or Wood-Grain Foil slab door styles

### Antiquity Insert



All Positions  
12"-62" H  
**ATQ**

### Mirage Insert



All Positions  
12"-62" H  
**MIR**

### Silk Insert



All Positions  
12"-62" H  
**SLK**

### Wintersday Insert



Front & Top Positions  
12"-62" H  
**WTD**

## Mullion Doors

Mullion door designs combine the beauty of actual wood mullion divides and wood inserts or clear or textured tempered glass. The wood mullions coordinate with the door and frame in materials and finish.

Decorative molding will *not* be applied to Mullion Doors when ordered in door styles having applied molding on their inside profile. Mullion doors are available in most door styles, in sizes from 12" wide and up to 42" high. Consult Decorative Doors and Inserts availability chart for specific detail.

<b>2</b>	<b>OX</b>	<b>ATQ</b>	<b>1</b>
quantity	door code	insert code	height code

- Available in full overlay door styles only
- (CW) & (CH) options unavailable
- Unavailable in Rustic door styles
- Unavailable in Foil slab or Veneer Slab door styles
- Unavailable in EverCore® door styles
- Unavailable in High-Gloss Foil, Thermofoil or Wood-Grain Foil door styles

### Ambry



Front & Top Positions  
24"-42" H  
Antiquity Glass Insert  
**AMATQ**  
Bistro Glass Insert  
**AM**  
Ravenna Glass Insert  
**AMRAV**  
Shadow Glass Insert  
**AMSHW**

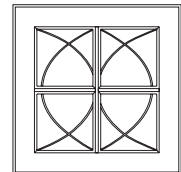
Cabinet Width	# lites	Nominal Height					
		24"	27"	30"	36"	39"	42"
12	1	●		●	●	●	●
15	2	●		●	●	●	●
18	2	●		●	●	●	●
21	3	●		●	●	●	●
24	3	●		●	●	●	●
24BUTT	1	●		●	●	●	●
27(Butt)	2	●		●	●	●	●
30	2	●	●	●	●	●	●
33	2	●		●	●	●	●
36	2	●	●	●	●	●	●
39	3	●		●	●	●	●
42	3	●		●	●	●	●
45	3	●		●	●	●	●
48	3	●		●	●	●	●
WA24	2			●	●	●	●
WA27	2			●	●	●	●

### Castlegate



Front & Top Positions  
15"-42" H  
Blackened Pewter on Zinc Caming Insert  
**CGBPB**  
Nickel Caming Insert  
**CGNKB**

- If ordered in Arch will be supplied as square
- Only available on doors 15" wide or wider



15" - 21" high

### Evansville



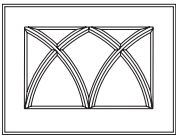
Front & Top Positions  
15"-42" H  
Antiquity Glass Insert  
**EVATQ**  
Bistro Glass Insert  
**EV**  
Mirage Glass Insert  
**EVMIR**  
Ravenna Glass Insert  
**EVRAV**  
Shadow Glass Insert  
**EVSHW**

- Only available on doors 15" wide or wider
- If ordered in Arch will be supplied as square

### Raleigh



Front & Top Positions  
18"-42" H  
Antiquity Glass Insert  
**RAATQ**  
Bistro Glass Insert  
**RA**  
Ravenna Glass Insert  
**RARAV**  
Shadow Glass Insert  
**RASHW**



18" - 21"  
high

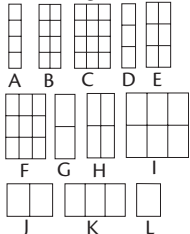
- Only available on doors 18" wide (nominal) and wider with stiles and rails 2 3/8" or less
- Available in Cherry and Maple door styles only
- If ordered in Arch will be supplied as square

### Traditional



Front & Top Positions  
12"-42" H  
Antiquity Glass Insert  
**MDATQ**  
Bistro Glass Insert  
**MD**  
Mirage Glass Insert  
**MDMIR**  
Ravenna Glass Insert  
**MDRAV**  
Shadow Glass Insert  
**MDSHW**

#### Lite Configurations:



Cabinet Width	Nominal Height										
	12"	15"	18"	21"	24"	27"	30"	33"	36"	39"	42"
12	L	L	G		G		D	D	A	A	A
15	J	J	H		H	E	E	E	B	B	B
18	J	J	H		H	E	E	E	B	B	B
21	K	K	I		I	F	F	F	C	C	C
24	K	K	I		I	F	F	F	C	C	C
24BUTT	L	L	G		G	D	D	D	A	A	A
27(Butt)	J	J	H		H	E	E	E	B	B	B
30/BUTT	J	J	H		H	E	E	E	B	B	B
33/BUTT	J	J	H		H	E	E	E	B	B	B
34BUTT	J	J	H		H	E	E	E	B	B	B
36/BUTT	J	J	H		H	E	E	E	B	B	B
37BUTT	J	J	H		H	E	E	E	B	B	B
39	K	K	I		I	F	F	F	C	C	C
42	K	K	I		I	F	F	F	C	C	C
43	K	K	I		I	F	F	F	C	C	C
45	J	J	H		I	F	F	F	C	C	C
48	J	J	H		I	F	F	F	C	C	C
WR34BUTT	J	J	H		H	E	E	E			
WR37BUTT	J	J	H		H	E	E	E			
WR42	K	K	I		I						
WR43	K	K	I		I						
WR48	K	K	I		I						
WA24/27	J	J	H		H		E	E	B	B	B
(W)EZR24							D	D	A	A	A
(W)EZR36							D	D	A	A	A
WCA12	J	H	H	H	E	E	E	E	B	B	B

Mullion doors are shipped in the following configurations shown above. No modifications are available.

### Hewitt



Front & Top Positions  
15"-42" H  
Antiquity Glass Insert  
**HEATQ**  
Bistro Glass Insert  
**HE**  
Ravenna Glass Insert  
**HERAV**  
Shadow Glass Insert  
**HESHW**

- Only available on doors 15" wide or wider
- If ordered in Arch will be supplied as square

### Showcase



Front & Top Positions  
15"-42" H  
Antiquity Glass Insert  
**SDATQ**  
Bistro Glass Insert  
**SD**  
Ravenna Glass Insert  
**SRAV**  
Shadow Glass Insert  
**SDSHW**

- If ordered in Arch will be supplied as square

### Palladia



Front & Top Positions  
18"-42" H  
Antiquity Glass Insert  
**PAATQ**  
Bistro Glass Insert  
**PA**  
Mirage Glass Insert  
**PAMIR**  
Ravenna Glass Insert  
**PARAV**  
Shadow Glass Insert  
**PASHW**

- Only available on doors 18" wide (nominal) and wider with stiles and rails 2 3/8" or less
- Available in Cherry and Maple door styles only
- If ordered in Arch will be supplied as square

Cabinet Width	Nominal Height								
	15"	18"	21"	24"	27"	30"	36"	39"	42"
*12	●	●		●		●	●	●	●
15	●	●		●		●	●	●	●
18	●	●		●		●	●	●	●
21		●		●		●	●	●	●
24				●		●	●	●	●
*24BUTT		●		●		●	●	●	●
27(Butt)	●	●		●		●	●	●	●
30	●	●	●	●	●	●	●	●	●
33	●	●	●	●	●	●	●	●	●
36	●	●	●	●	●	●	●	●	●
39	●			●		●	●	●	●
42		●		●		●	●	●	●
45				●		●	●	●	●
48	●	●		●		●	●	●	●
WA24				●		●	●	●	●
WCA12				●		●	●	●	●
WEA12				●		●	●	●	●

\*Not available on door styles with 3" and 3 1/2" stiles and rails  
Dark gray shaded sizes feature annealed glass vs tempered glass

### Vista



Front & Top Positions  
12"-42" H  
Antiquity Glass Insert  
**VSATQ**  
Bistro Glass Insert  
**VS**  
Ravenna Glass Insert  
**VRAV**  
Shadow Glass Insert  
**VSSHW**

Nominal Height	# of lites	Height of lites
12"	1	-
15"	1	-
18"	2	5 11/16"
21"	2	7 3/16"
24"	2	8 7/16"
26"	2	8 15/16"
27"	3	6 35/64"
30"	3	7 35/64"
36"	4	6 31/32"
39"	4	7 23/32"
42"	4	8 15/32"



## Specialty Inserts

Specialty inserts conceal the contents stored behind the door; available in most door styles, in sizes from 12" wide.

<b>3</b>	<b>CKB</b>	<b>1</b>
quantity	code	height code

- Unavailable in High-Gloss Foil, or Wood-Grain Foil door styles

### Chalkboard Insert



Front & Top Positions  
12"-62" H  
**CKB**

### Leather Inserts



Front & Top Positions  
12"-62" H  
Cognac Leather Insert  
**COL**  
Onyx Leather Insert  
**ONL**

- (CW) & (CH) options unavailable

## Textured Glass Inserts

Textured glass includes a variety of patterns that create a translucent view of objects stored behind the door. The shapes and colors of objects remain visible, but their lines are diffused; available in most door styles, in sizes from 12" wide..

<b>1</b>	<b>RAV</b>	<b>2</b>
quantity	code	height code

- Unavailable in High-Gloss Foil or Wood-Grain Foil slab door styles

### Cascade Insert



Front & Top Positions  
12"-62" H  
**CAS**

### Dolce Insert



All Positions  
12"-62" H  
**DOL**

### Modern Textured Insert



Front & Top Positions  
12"-48" H  
**MRT**

- Available in full overlay door styles only
- Unavailable on doors wider than 24"

### Moire Insert



Front & Top Positions  
12"-48" H  
**MOI**

### Ravenna Insert



All Positions  
12"-48" H  
**RAV**

### Styx Insert



Front & Top Positions  
12"-62" H  
**STX**

### Vauxhall Insert



Front & Top Positions  
12"-62" H  
**VAU**

# Glass Door Position Availability Charts

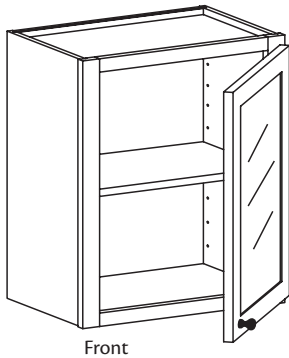
**Note:** In 20-20, select Operational End (OE) before adding glass to cabinet ends. Order Example: W1830R - WOE.R.1-2BIS.1E

Glass inserts are ordered individually. Place quantity before order code. For more information on the glass insert choices, find the names within Classic Glass, Etched Glass, Layered Glass and Textured Glass within the Decorative Doors and Inserts section. Example: Bistro Glass Inserts can be found in the Classic Glass section.

**Note:** Matching interior Plywood (MIP) is standard for all Decorative Doors and Inserts. Remember to order (MIAPFC) for cabinets ordered in (APFC).

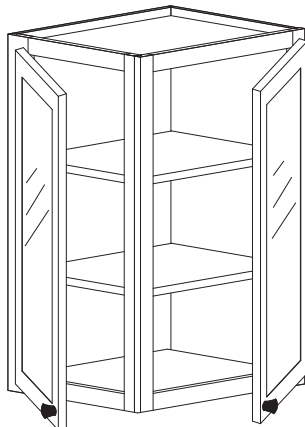
(CW) & (CH) unavailable

## Glass Door Position Availability Charts - 1



Front	
Model	For use in
1_1	12" to 33" high Wall and Base cabinets, see insert for size exceptions
2_1	12" to 33" high Wall and Base cabinets, see insert for size exceptions
3_1	12" to 33" high Wall and Base cabinets, see insert for size exceptions
4_1	12" to 33" high Wall and Base cabinets, see insert for size exceptions
1_2	36" to 62" high Wall and Base cabinets, see insert for size exceptions
2_2	36" to 62" high Wall and Base cabinets, see insert for size exceptions
3_2	36" to 62" high Wall and Base cabinets, see insert for size exceptions
4_2	36" to 62" High Wall and Base cabinets, see insert for size exceptions

• Bistro Glass Front Example: 1BIS1



Front & End	
Model	For use in
2_1E	12" to 24" wide, up to 33" high single door Wall Cabinets & Base Cabinets with Operational End
2_2E	12" to 24" wide, 36" to 54" high single door Wall Cabinets with Operational End
2_1PREP.E	Single door Wall Cabinets & Base Cabinets with Operational End
3_1E	24" to 36" wide, up to 33" high double door Wall cabinets & Base cabinets with Operational End
3_2E	24" to 36" wide, 36" to 54" high double door Wall cabinets with Operational End
3_1PREP.E	Double door Wall cabinets & Base cabinets with Operational End

• Bistro Glass Front & End Example: 2BIS.1E

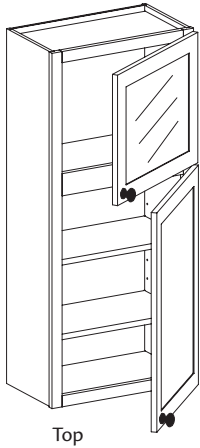
- Available in select Aluminum Frame Glass, Classic Glass, Etched Glass, Layered Glass and Textured Glass.

- Order glass doors on front of cabinet to enable the ordering of glass doors on (OE)
- Unavailable with (IF) Option

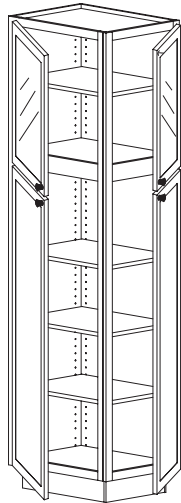
Front & Ends Both	
Model	For use in
3_1EB	12" to 24" wide, up to 33" high single door Wall Cabinets & Base Cabinets with Operational Ends Both
3_2EB	12" to 24" wide, 36" to 54" high single door Wall Cabinets with Operational Ends Both
3_1PREP.EB	Single door Wall Cabinets & Base Cabinets with Operational Ends Both
4_1EB	24" to 48" wide, up to 33" high double door Wall & Base Cabinets with Operational Ends Both
4_2EB	24" to 48" wide, 36" to 54" high double door Wall Cabinets with Operational Ends Both
4_1PREP.EB	Double door Wall & Base Cabinets with Operational Ends Both

• Bistro Glass Front & Ends Both Example: 3BIS.1EB

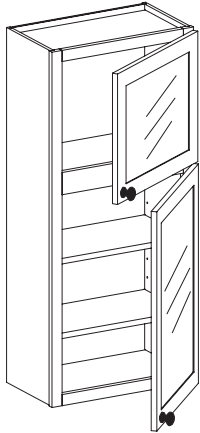
## Glass Door Position Availability Charts - 2



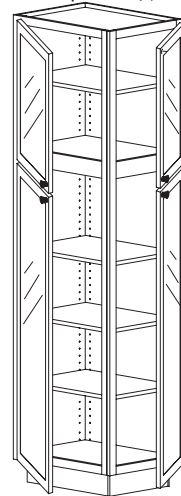
Top



Top & End(s)



Top & Bottom



Top & Bottom & End(s)

- Available in select Aluminum Frame Glass, Classic Glass, Etched Glass, Layered Glass and Textured Glass.
- Order glass doors on front of cabinet to enable the ordering of glass doors on (OE)
- Unavailable with (IF) Option

Top & Bottom & End	
Model	For use in
4_1T.1B.TE.BE	12" to 24" wide, 48" & 51" high Wall Stack cabinets with Operational End
4_1T.2B.TE.BE	12" to 24" wide, 54" high Wall Stack cabinets and 84" to 93" Tall cabinets with Operational End
4_2T.2B.TE.BE	12" to 24" wide, 96" high Tall cabinets with Operational End
4_PREP.T.B.TE.BE	Single door Wall Stack cabinets and Tall cabinets with Operational End
6_1T.1B.TE.BE	24" to 36" wide, 48" & 51" high Wall Stack cabinets with Operational End
6_1T.2B.TE.BE	24" to 36" wide, 54" high Wall Stack cabinets and 84" to 93" Tall cabinets with Operational End
6_2T.2B.TE.BE	24" to 36" wide, 96" high Tall cabinets with Operational End
6_PREP.T.B.TE.BE	Single door Wall Stack cabinets and Tall cabinets with Operational End

- Bistro Glass Top & Bottom & End Example: 4BIS.1T.1B.TE.BE

Top	
Model	For use in
1_1T	12" to 24" wide, Wall Stack cabinets and 84" to 93" Tall cabinets
1_2T	12" to 24" wide, 96" high Tall cabinets
1_PREPT	Single door Wall Stack cabinets and Tall cabinets
2_1T	24" to 36" wide, Wall Stack cabinets and 84" to 93" Tall cabinets
2_2T	24" to 36" wide, 96" high Tall cabinets
2_PREPT	Double Door Wall Stack cabinets and Tall cabinets

- Bistro Glass Top Example: 1BIS.1T

Top & End	
Model	For use in
2_1T.E	12" to 24" wide, Wall Stack cabinets and 84" to 93" Tall cabinets with Operational End
2_2T.E	12" to 24" wide, 96" high Tall cabinets with Operational End
2_PREPT.E	Double door Wall Stack cabinets and Tall cabinets with Operational End
3_1T.E	24" to 36" wide, Wall Stack cabinets and 84" to 93" Tall cabinets with Operational End
3_2T.E	24" to 36" wide, 96" high Tall cabinets with Operational End
3_PREPT.E	Single Door Wall Stack cabinets and Tall cabinets with Operational End

- Bistro Glass Top & End Example: 2BIS.1T.E

Top & Ends Both	
Model	For use in
3_1T.TEB	12" to 24" wide, Wall Stack cabinets with Operational Ends Both
3_PREPT.TEB	Single Door Wall Stack cabinets with Operational Ends Both
4_1T.1TEB	24" to 36" wide, Wall Stack cabinets with Operational Ends Both
4_PREPT.TEB	Double Door Wall Stack cabinets with Operational Ends Both

- Bistro Glass Top & Ends Both Example: 3BIS.1T.TEB

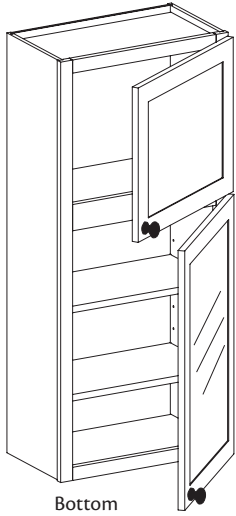
Top & Bottom	
Model	For use in
2_1T.1B	12" to 24" wide, 48" & 51" Wall Stack cabinets
2_1T.2B	12" to 24" wide, 54" high Wall Stack cabinets and 84" to 93" Tall cabinets
2_2T.2B	12" to 24" wide, 96" high Tall cabinets
2_PREPT.B	Double door Wall Stack cabinets and Tall cabinets
4_1T.1B	24" to 36" wide, 48" & 51" Wall Stack cabinets
4_1T.2B	24" to 36" wide, 54" high Wall Stack cabinets and 84" to 93" Tall cabinets
4_2T.2B	24" to 36" wide, 96" high Tall cabinets
4_PREPT.B	Double door Wall Stack cabinets and Tall cabinets

- Bistro Glass Top & Bottom Example: 2BIS.1T.1B

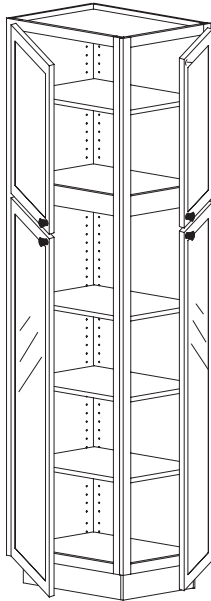
Top & Bottom & Ends Both	
Model	For use in
6_1TEB.1BEB	12" to 24" wide, 48" & 51" high Wall Stack cabinets with Operational Ends Both
6_1TEB.2BEB	12" to 24" wide, 54" high Wall Stack cabinets with Operational Ends Both
6_PREP.TEB.BEB	Double door Wall Stack cabinets with Operational Ends Both
8_1TEB.1BEB	24" to 36" wide, 48" & 51" Wall Stack cabinets with Operational Ends Both
8_1TEB.2BEB	24" to 36" wide, 54" high Wall Stack cabinets with Operational Ends Both
8_PREP.TEB.BEB	Double door Wall Stack cabinets with Operational Ends Both

- Bistro Glass Top & Bottom & Ends Example: 6BIS.1TEB.1BEB

### Glass Door Position Availability Charts - 3



Bottom



Bottom & End(s)

- Available in select Aluminum Frame Glass, Classic Glass, Etched Glass, Layered Glass and Textured Glass.
- Check individual cabinets for availability
- Order glass doors on front of cabinet to enable the ordering of glass doors on (OE)
- Unavailable with (IF) Option

Bottom	
Model	For use in
1_1B	12" to 24" wide, 48" & 51" high Wall Stack cabinets
1_2B	12" to 24" wide, 54" high Wall Stack cabinets and Tall cabinets
1_PREP.B	Single Door Wall Stack cabinets and Tall cabinets
2_1B	24" to 36" wide, 48" & 51" high Wall Stack cabinets
2_2B	24" to 36" wide, 54" high Wall Stack cabinets and Tall cabinets
2_PREPB	Double Door Wall Stack cabinets and Tall cabinets

- Bistro Glass Bottom Example: 1BIS.1B

Bottom & End	
Model	For use in
2_1B.E	12" to 24" wide, 48" & 51" high Wall Stack cabinets with Operational End
2_2B.E	12" to 24" wide, 54" high Wall Stack cabinets and Tall cabinets with Operational End
2_PREP.B.E	Double door Wall Stack cabinets and Tall cabinets with Operational End
3_1B.E	24" to 36" wide, 48" & 51" high Wall Stack cabinets with Operational End
3_2B.E	24" to 36" wide, 54" high Wall Stack cabinets and Tall cabinets with Operational End
3_PREP.B.E	Single door Wall Stack cabinets and Tall cabinets with Operational End

- Bistro Glass Bottom & End Example: 2BIS.1B.E

Bottom & Ends Both	
Model	For use in
3_1B.BEB	12" to 24" wide, 48" & 51" high Wall Stack cabinets with Operational Ends Both
3_2B.BEB	12" to 24" wide, 54" high Wall Stack cabinets with Operational Ends Both
3_PREP.B.BEB	Single door Wall Stack cabinets with Operational Ends Both
4_1B.1BEB	24" to 36" wide, 48" & 51" high Wall Stack cabinets with Operational Ends Both
4_2B.2BEB	24" to 36" wide, 54" high Wall Stack cabinets with Operational Ends Both
4_PREP.B.BEB	Double door Wall Stack cabinets with Operational Ends Both

- Bistro Glass Bottom & Ends Example: 3BIS.1B.BEB

# Wall Cabinets

## Construction Options and Modifications

<b>WR</b>	<b>30</b>	<b>12</b>
code	width	height

- ❖ Included as standard
- Available with an upcharge
- ☆ Available with exceptions
- (Blank) Unavailable

- PE Plywood Ends
- APC All Plywood Construction
- APFC All Plywood Furniture Construction
- FPEB Furniture Plywood Ends
- MI Matching Interior
- DE Integrated Decorative End
- OE Operational End
- AD\_E Attached Decorative End
- CW Change Width
- RD Reduced Depth
- ID Increased Depth
- CH Change Height
- TWR Top Wide Rail
- XS Extended Stile
- XSG Integrated Extended Stile
- XSB Extended Side Back
- IW Integrated Wall
- GD Glass Doors

**Note:** Standard wall cabinet box depth is 12" unless stated otherwise. Add door thickness with bumpers for total depth.

Remember, a cabinet designated BUTT or (Butt) has no center stile. When you see the word BUTT in all capitals, it **must** be included as part of your ordering nomenclature, a (Butt) in parentheses is for your information and isn't required on an order form

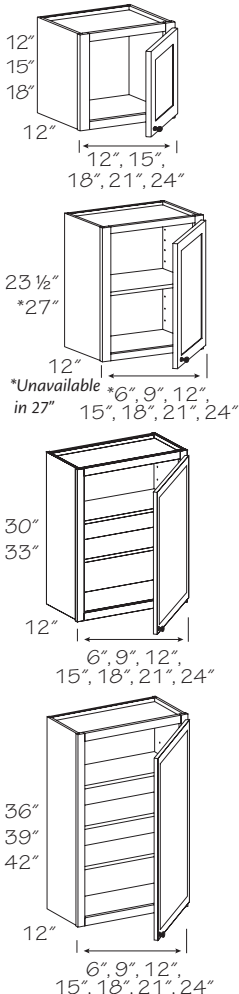
**Note:** Wall cabinets with standard matching vinyl interior, or Wall cabinets ordered with matching vinyl interior option will be supplied with Natural Birch exterior material. Wall cabinets with standard matching interior, Wall cabinets ordered with APC, FPEB or APF, or Wall cabinets ordered with MIP, MIFP, MIAPFC will have exterior floors and ceilings that are finished to match.

**Caution:** Any wall cabinet over 24" wide or 30" high or higher with a depth greater than 12" and/or with butt doors **must** be installed between two (2)

cabinets, a cabinet and a wall or supported from below. Failure to provide additional support could result in collapse of the cabinet, serious personal injury, or property damage. Damage relating to failure to provide additional support is **not** covered by the warranty.

Material dimensions listed may vary slightly from actual dimensions of the product. Specifications subject to change without notice.

### Wall Single Door 12" - 42" H



- |   |   |   |
|---|---|---|
| <p>No shelf<br/>12" High</p> <ul style="list-style-type: none"> <li>□ W1212 R or L</li> <li>□ W1512 R or L</li> <li>□ W1812 R or L</li> <li>□ W2112 R or L</li> </ul> <p>No shelf<br/>15" High</p> <ul style="list-style-type: none"> <li>W1215 R or L</li> <li>W1515 R or L</li> <li>W1815 R or L</li> <li>W2115 R or L</li> </ul> <p>No shelf<br/>18" High</p> <ul style="list-style-type: none"> <li>W1218 R or L</li> <li>W1518 R or L</li> <li>W1818 R or L</li> <li>W2118 R or L</li> <li>W2418 R or L</li> </ul> <p>One shelf<br/>23 1/2" High</p> <ul style="list-style-type: none"> <li>✦ W624 R or L.FO</li> <li>✦ W924 R or L</li> <li>W1224 R or L</li> <li>W1524 R or L</li> <li>W1824 R or L</li> <li>W2124 R or L</li> <li>W2424 R or L</li> </ul> | <p>One shelf<br/>27" High</p> <ul style="list-style-type: none"> <li>○□ W1527 R or L</li> <li>○□ W1827 R or L</li> <li>○□ W2427 R or L</li> </ul> <p>Two shelves<br/>30" High</p> <ul style="list-style-type: none"> <li>✦ W630 R or L.FO</li> <li>✦ W930 R or L</li> <li>W1230 R or L</li> <li>W1530 R or L</li> <li>W1830 R or L</li> <li>W2130 R or L</li> <li>W2430 R or L</li> </ul> <p>Two shelves<br/>33" High</p> <ul style="list-style-type: none"> <li>✦ W633 R or L.FO</li> <li>✦ W933 R or L</li> <li>W1233 R or L</li> <li>W1533 R or L</li> <li>W1833 R or L</li> <li>W2133 R or L</li> <li>W2433 R or L</li> </ul> | <p>Three shelves<br/>36" High</p> <ul style="list-style-type: none"> <li>✦ W636 R or L.FO</li> <li>✦ W936 R or L</li> <li>W1236 R or L</li> <li>W1536 R or L</li> <li>W1836 R or L</li> <li>W2136 R or L</li> <li>W2436 R or L</li> </ul> <p>Three shelves<br/>39" High</p> <ul style="list-style-type: none"> <li>✦ W639 R or L.FO</li> <li>✦ W939 R or L</li> <li>W1239 R or L</li> <li>W1539 R or L</li> <li>W1839 R or L</li> <li>W2139 R or L</li> <li>W2439 R or L</li> </ul> <p>Three shelves<br/>42" High</p> <ul style="list-style-type: none"> <li>✦ W642 R or L.FO</li> <li>✦ W942 R or L</li> <li>W1242 R or L</li> <li>W1542 R or L</li> <li>W1842 R or L</li> <li>W2142 R or L</li> <li>W2442 R or L</li> </ul> |
|---|---|---|

- (CH) option unavailable
- ✦ (XSG) is unavailable
- ✦ Glass door option unavailable
- (CW) option unavailable
- ▲ (TWR) option unavailable
- ✦ Doors are square except full overlay arch door styles. Thermofoil door styles will always be square. Veranda doors will have a solid, recessed flat panel
- ◆ Available with (IW) option

Grey color coding indicates new product, size or code.

- Specify R or L for single door hinging
- Adjustable shelves
- ☆ (XSG) only available on cabinets 30" high or higher
- 6" wide cabinets available in full overlay door styles only
- ☆ 6" wide cabinets have a max. (CW) of 8 15/16"
- 6" wide cabinets frame rails are 15/16" wide
- 6" wide cabinet doors default to a slab design with an outside profile matching the selected door style
- ☆ (DE), (AD\_E) and (OE) for 6" wide cabinets only available right or left, unavailable both sides



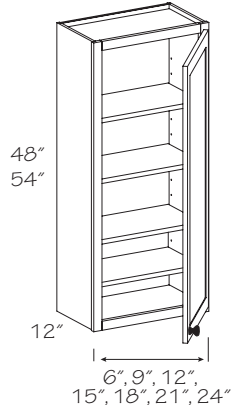
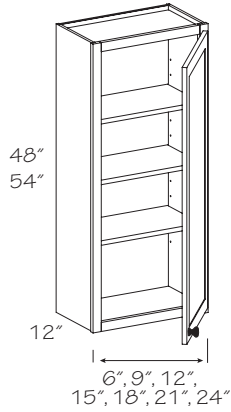
Tip: When mounting a 6" Spice Drawer or Organizer underneath a

23 1/2" cabinet next to a 30" high wall cabinet, the overall height will be 29 1/2". To correct this, you can place a piece of Stack Molding or a 1/2" filler between the 23 1/2" cabinet and the 6" cabinet



Remember, all 9" wide doors in 1/2" overlay will be square. If a 9" cabinet is required, one suggestion is to void the door and order the cabinet with (MI) and use it as a decorative open cabinet

- PE
- APC
- APFC
- FPEB
- MI
- ☆ DE
- ☆ OE
- ☆ AD\_E
- ☆ CW
- RD
- ID
- ☆ CH
- ☆ TWR
- XS
- ☆ XSG
- XSB
- ☆ IW
- ☆ GD



### Wall Single Door 48" and 54" H

Three shelves

48" High

+ **W648 R or L.FO**

+\***W948 R or L**

**W1248 R or L**

**W1548 R or L**

**W1848 R or L**

**W2148 R or L**

**W2448 R or L**

Four shelves

54" High

+ **W654 R or L.FO**

+\***W954 R or L**

**W1254 R or L**

**W1554 R or L**

**W1854 R or L**

**W2154 R or L**

**W2454 R or L**

+ Glass door option unavailable

\* Doors are square except full overlay arch door styles. Thermofoil door styles will always be square. Veranda doors will have a solid, recessed flat panel

○ (CW) option unavailable

Grey color coding indicates new product, size or code.

- Specify R or L for single door hinging
- Adjustable shelves
- Shelves shipped separately
- Available in full overlay door styles only
- ☆ Unavailable with Camed glass door (GD) option
- ☆ Unavailable with Mullion glass doors (GD) option
- ☆ Modern Frosted and Moire Glass Inserts unavailable on 54" H cabinets
- ☆ We recommend selecting the (APC) option when increasing depth beyond 15"
- 6" wide cabinets available in full overlay door styles only
- ☆ 6" wide cabinets have a max. (CW) of 8 15/16"
- 6" wide cabinets frame rails are 15/16" wide
- 6" wide cabinet doors default to a slab design with an outside profile matching the selected door style
- ☆ (DE), (AD\_E) and (OE) for 6" wide cabinets only available right or left, unavailable both sides

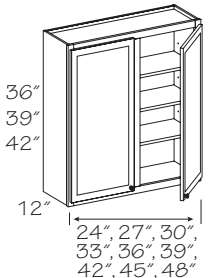
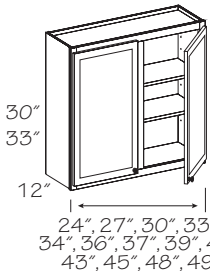
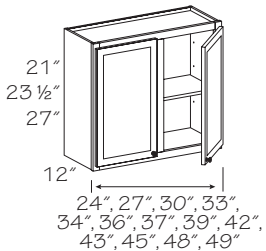
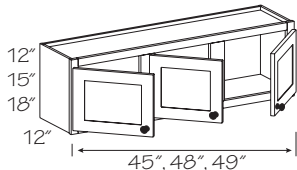
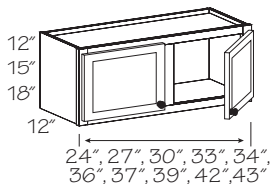


When using 48"-54" high cabinets or tall stacked cabinet

combinations, remember to supply the best height Tall End Panel for your design needs. Both 108" and 120" panels can be field cut to height requirements of your design

- PE
- APC
- APFC
- FPEB
- MI
- ☆ DE
- ☆ OE
- ☆ AD\_E
- ☆ CW
- RD
- ID
- CH
- TWR
- XS
- XSG
- XSB
- IW
- ☆ GD

## Wall Double Door 12" - 42" H



### No shelf

- 12" High  
 ○ □ **W2412 BUTT**  
 □ **W2712 (Butt)**  
 □ **W3012**  
 □ **W3012 BUTT**  
 □ **W3312**  
 □ **W3312 BUTT**  
 ○ □ **W3412 BUTT**  
 □ **W3612**  
 □ **W3612 BUTT**  
 ★ ○ □ **W3712 BUTT**  
 ★ □ **W3912**  
 ★ □ **W4212**  
 ★ ○ □ **W4312**  
 ★ ■ □ **W4512**  
 ★ ■ □ **W4812**  
 ★ \* □ **W4912**

### No shelf

- 15" High  
 ○ □ **W2415 BUTT**  
 □ **W2715 (Butt)**  
 □ **W3015**  
 □ **W3015 BUTT**  
 □ **W3315**  
 □ **W3315 BUTT**  
 ○ □ **W3415 BUTT**  
 □ **W3615**  
 □ **W3615 BUTT**  
 ★ ○ □ **W3715 BUTT**  
 ★ **W3915**  
 ★ **W4215**  
 ★ ○ □ **W4315**  
 ★ ■ **W4515**  
 ★ ■ **W4815**  
 ★ \* **W4915**

### No shelf

- 18" High  
 ○ □ **W2418 BUTT**  
 □ **W2718 (Butt)**  
 □ **W3018**  
 □ **W3018 BUTT**  
 □ **W3318**  
 □ **W3318 BUTT**  
 ○ □ **W3418 BUTT**  
 □ **W3618**  
 □ **W3618 BUTT**  
 ★ ○ □ **W3718 BUTT**  
 ★ **W3918**  
 ★ **W4218**  
 ★ ○ □ **W4318**  
 ★ ■ **W4518**  
 ★ ■ **W4818**  
 ★ **W4918**

### One shelf

- 21" High  
 ○ □ **W2421 BUTT**  
 □ **W2721 (Butt)**  
 □ **W3021**  
 □ **W3021 BUTT**  
 □ **W3321**  
 □ **W3321 BUTT**  
 ○ □ **W3421 BUTT**  
 □ **W3621**  
 □ **W3621 BUTT**  
 ★ ○ □ **W3721 BUTT**  
 ★ **W3921**  
 ★ **W4221**  
 ★ ○ □ **W4321**  
 ★ **W4521**  
 ★ **W4821**  
 ★ **W4921**

### One shelf

- 23 1/2" High  
 ○ □ **W2424 BUTT**  
 □ **W2724 (Butt)**  
 □ **W3024**  
 □ **W3024 BUTT**  
 □ **W3324**  
 □ **W3324 BUTT**  
 ○ □ **W3424 BUTT**  
 □ **W3624**  
 □ **W3624 BUTT**  
 ★ ○ □ **W3724 BUTT**  
 ★ **W3924**  
 ★ **W4224**  
 ★ ○ □ **W4324**  
 ★ **W4524**  
 ★ **W4824**  
 ★ **W4924**

### One shelf

- 27" High  
 ○ □ **W2427 BUTT**  
 □ **W2727 (butt)**  
 □ **W3027**  
 □ **W3027 BUTT**  
 □ **W3327**  
 □ **W3327 BUTT**  
 ○ □ **W3427 BUTT**  
 □ **W3627**  
 □ **W3627 BUTT**  
 ★ ○ □ **W3727 BUTT**  
 ★ **W3927**  
 ★ **W4227**  
 ★ ○ □ **W4327**  
 ★ **W4527**  
 ★ **W4827**  
 ★ **W4927**

### Two Shelves

- 30" High  
 ○ □ **W2430 BUTT**  
 □ **W2730 (Butt)**  
 □ **W3030**  
 □ **W3030 BUTT**  
 □ **W3330**  
 □ **W3330 BUTT**  
 ○ □ **W3430 BUTT**  
 □ **W3630**  
 □ **W3630 BUTT**  
 ★ ○ □ **W3730 BUTT**  
 ★ **W3930**  
 ★ **W4230**  
 ★ ○ □ **W4330**  
 ★ **W4530**  
 ★ **W4830**  
 ★ **W4930**

### Two Shelves

- 33" High  
 ★ **W2433 BUTT**  
 □ **W2733 (Butt)**  
 □ **W3033**  
 □ **W3033 BUTT**  
 □ **W3333**  
 □ **W3333 BUTT**  
 □ **W3633**  
 □ **W3633 BUTT**  
 ★ **W3933**  
 ★ **W4233**  
 ★ ○ □ **W4333**  
 ★ **W4533**  
 ★ **W4833**  
 ★ **W4933**

### Three shelves

- 36" High  
 ○ □ **W2436 BUTT**  
 □ **W2736 (Butt)**  
 □ **W3036**  
 □ **W3036 BUTT**  
 □ **W3336**  
 □ **W3336 BUTT**  
 □ **W3636**  
 □ **W3636 BUTT**  
 ★ **W3936**  
 ★ **W4236**  
 ★ **W4536**  
 ★ **W4836**

### Three shelves

- 39" High  
 ○ **W2439 BUTT**  
 □ **W2739 (Butt)**  
 □ **W3039**  
 □ **W3039 BUTT**  
 □ **W3339**  
 □ **W3339 BUTT**  
 □ **W3639**  
 □ **W3639 BUTT**  
 ★ **W3939**  
 ★ **W4239**  
 ★ **W4539**  
 ★ **W4839**

### Three shelves

- 42" High  
 ○ **W2442 BUTT**  
 □ **W2742 (Butt)**  
 □ **W3042**  
 □ **W3042 BUTT**  
 □ **W3342**  
 □ **W3342 BUTT**  
 □ **W3642**  
 □ **W3642 BUTT**  
 ★ **W3942**  
 ★ **W4242**  
 ★ **W4542**  
 ★ **W4842**

- PE
- APC
- APFC
- FPFB
- MI
- ☆ DE
- ☆ OE
- ☆ AD\_E
- ☆ CW
- RD
- ☆ ID
- ☆ CH
- ☆ TWR
- XS
- ☆ XSG
- ☆ XSB
- ☆ IW
- ☆ GD

- ☆ (XSG) only available on cabinets 30" high or higher
- ☆ 33"-37" wide wall cabinets with BUTT doors have wood veneer plywood shelves
- ☆ (DE), (AD\_E) and (OE) for 49" wide cabinets only available right or left, unavailable both sides

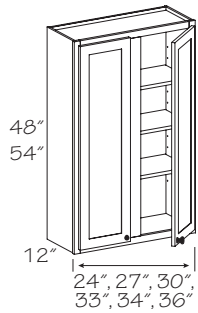


Tip: When mounting a 6" Spice Drawer or

Organizer underneath a 23 1/2" cabinet next to a 30" high wall cabinet, the overall height will be 29 1/2". To correct this, you can place a piece of Stack Molding or a 1/2" filler between the 23 1/2" cabinet and the 6" cabinet

- (CW) option unavailable
- (CH) option unavailable
- ★ Unavailable in (ID)
- Glass inserts unavailable on ends
- \* Available with (TWR); unavailable with (CTR)
- † (CTR) has dimension max. of 3"
- ▲ (TWR) option unavailable
- ◆ Available with (IW) option

Grey color coding indicates new product, size or code.



### Wall Double Door 48" and 54" H

Three shelves

- 48" High  
 ※○ **W2448 BUTT**  
**W2748 (Butt)**  
**W3048**  
**W3048 BUTT**  
**W3348**  
**W3348 BUTT**  
**W3648**  
**W3648 BUTT**

Four shelves

- 54" High  
 ※○ **W2454 BUTT**  
**W2754 (Butt)**  
**W3054**  
**W3054 BUTT**  
**W3354**  
**W3354 BUTT**  
**W3654**  
**W3654 BUTT**

※ Doors are square except full overlay arch door styles. Thermofoil door styles will always be square. Veranda doors will have a solid, recessed flat panel

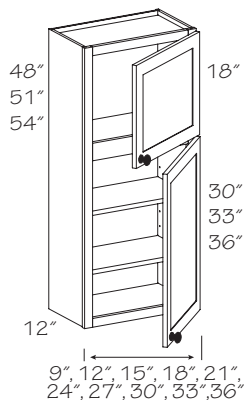
○ (CW) option unavailable

- Adjustable shelves
- Shelves shipped separately
- Available in full overlay door styles only
- Unavailable with (MSW)
- ☆ Unavailable with Camed glass door (GD) option
- ☆ Unavailable with Mullion glass doors (GD) option
- ☆ Modern Frosted and Moire Glass Inserts unavailable on 54" H cabinets
- ☆ We recommend selecting the (APC) option when increasing depth beyond 15"



When using 48"-54" high cabinets or tall stacked cabinet combinations, remember to supply the best height Tall End Panel for your design needs. Both 108" and 120" panels can be field cut to height requirements of your design

- PE
- APC
- APFC
- FPFB
- MI
- DE
- OE
- AD\_E
- ☆ CW
- RD
- ID
- CH
- TWR
- XS
- XSG
- XSB
- IW
- ☆ GD



### Wall Stack Cabinet 48", 51" and 54" H

Two shelves

- 48" High  
 +※○ **WST948 R or L**  
**WST1248 R or L**  
**WST1548 R or L**  
**WST1848 R or L**  
**WST2148 R or L**  
**WST2448 R or L**  
 ○ **WST2448 BUTT**  
**WST2748 (Butt)**  
**WST3048**  
**WST3048 BUTT**  
**WST3348**  
**WST3348 BUTT**  
**WST3648**  
**WST3648 BUTT**

Two shelves

- 51" High  
 +※○ **WST951 R or L**  
**WST1251 R or L**  
**WST1551 R or L**  
**WST1851 R or L**  
**WST2151 R or L**  
**WST2451 R or L**  
 ○ **WST2451 BUTT**  
**WST2751 (Butt)**  
**WST3051**  
**WST3051 BUTT**  
**WST3351**  
**WST3351 BUTT**  
**WST3651**  
**WST3651 BUTT**

※ Doors are square except full overlay arch door styles. Thermofoil door styles will always be square. Veranda doors will have a solid, recessed flat panel

○ (CW) option unavailable

+ Glass door option unavailable

Three shelves

- 54" High  
 +※○ **WST954 R or L**  
**WST1254 R or L**  
**WST1554 R or L**  
**WST1854 R or L**  
**WST2154 R or L**  
**WST2454 R or L**  
 ○ **WST2454 BUTT**  
**WST2754 (Butt)**  
**WST3054**  
**WST3054 BUTT**  
**WST3354**  
**WST3354 BUTT**  
**WST3654**  
**WST3654 BUTT**

- Specify R or L for single door hinging
- Two vertical compartments with fixed rail and floor
- Bottom shelves are adjustable
- Shelves shipped separately
- Bottom door is always square
- Unavailable with (MSW)
- ☆ (DE) option is available in full overlay door styles only
- ☆ Glass on top and bottom on select (GD) designs only
- ☆ Max. (ID) is 15"

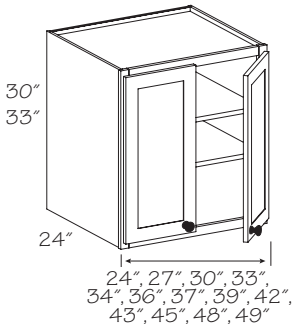
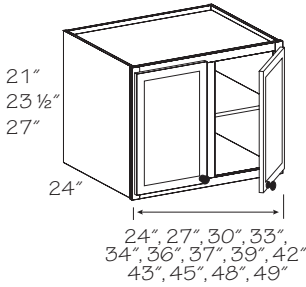
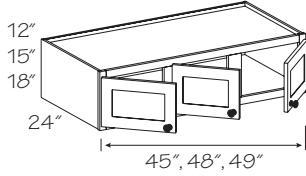
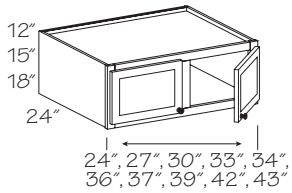


When using 48"-54" high cabinets or tall stacked cabinet combinations, remember to supply the best height Tall End Panel for your design needs. Both 108" and 120" panels can be field cut to height requirements of your design

- PE
- APC
- APFC
- FPFB
- MI
- ☆ DE
- OE
- AD\_E
- ☆ CW
- RD
- ☆ ID
- CH
- TWR
- XS
- XSG
- XSB
- IW
- ☆ GD



## Wall Refrigerator 24" Deep



- No shelf  
12" High
- +□ WR2412 BUTT
  - +□ WR2712 (Butt)
  - +□ WR3012
  - +□ WR3012 BUTT
  - +□ WR3312
  - +□ WR3312 BUTT
  - +□ WR3412 BUTT
  - +□ WR3612
  - +□ WR3612 BUTT
  - +□ WR3712 BUTT
  - +□ WR3912
  - +□ WR4212
  - +□ WR4312
  - +□ WR4512
  - +□ WR4812
  - \*□ WR4912

- No shelf  
15" High
- +□ WR2415 BUTT
  - + WR2715 (Butt)
  - + WR3015
  - + WR3015 BUTT
  - + WR3315
  - + WR3315 BUTT
  - +□ WR3415 BUTT
  - + WR3615
  - + WR3615 BUTT
  - +□ WR3715 BUTT
  - + WR3915
  - + WR4215
  - +□ WR4315
  - + WR4515
  - + WR4815
  - \*◆ WR4915

- No shelf  
18" High
- WR2418 BUTT
  - WR2718 (Butt)
  - WR3018
  - WR3018 BUTT
  - WR3318
  - WR3318 BUTT
  - WR3418 BUTT
  - WR3618
  - WR3618 BUTT
  - WR3718 BUTT
  - WR3918
  - WR4218
  - WR4318
  - WR4518
  - WR4818
  - WR4918

- One shelf  
21" High
- WR2421 BUTT
  - WR2721 (Butt)
  - WR3021
  - WR3021 BUTT
  - WR3321
  - WR3321 BUTT
  - WR3421 BUTT
  - WR3621
  - WR3621 BUTT
  - WR3721 BUTT
  - WR3921
  - WR4221
  - WR4321
  - WR4521
  - WR4821
  - WR4921

- One shelf  
23 1/2" High
- WR2424 BUTT
  - WR2724 (Butt)
  - WR3024
  - WR3024 BUTT
  - WR3324
  - WR3324 BUTT
  - WR3424 BUTT
  - WR3624
  - WR3624 BUTT
  - WR3724 BUTT
  - WR3924
  - WR4224
  - WR4324
  - WR4524
  - WR4824
  - WR4924

- One shelf  
27" High
- ▲ WR2427 BUTT
  - ▲ WR2727 (Butt)
  - ▲ WR3027
  - ▲ WR3027 BUTT
  - ▲ WR3327
  - ▲ WR3327 BUTT
  - ▲ WR3427 BUTT
  - ▲ WR3627
  - ▲ WR3627 BUTT
  - ▲ WR3727 BUTT
  - ▲ WR3927
  - ▲ WR4227
  - ▲ WR4327
  - ▲ WR4527
  - ▲ WR4827
  - ▲ WR4927

- Two shelves  
30" High
- WR2430 BUTT
  - WR2730 (Butt)
  - WR3030
  - WR3030 BUTT
  - WR3330
  - WR3330 BUTT
  - WR3430 BUTT
  - WR3630
  - WR3630 BUTT
  - WR3730 BUTT
  - WR3930
  - WR4230
  - WR4330
  - WR4530
  - WR4830
  - WR4930

- Two shelves  
33" High
- WR2433 BUTT
  - WR2733 (Butt)
  - WR3033
  - WR3033 BUTT
  - WR3333
  - WR3333 BUTT
  - WR3633
  - WR3633 BUTT
  - WR3933
  - WR4233
  - WR4333
  - WR4533
  - WR4833
  - WR4933

- Additional support required
- ☆ (XSG) only available on cabinets 30" high or higher
- ☆ Max. (ID) for Wall Refrigerator cabinets is 27"
- 33"-37" wide wall cabinets with BUTT doors have wood veneer plywood shelves



When designing a built-in refrigerator area, remember that many side by side refrigerators measure up to 36" wide. If you have the extra space, it is recommended to use a 37" wide Wall Refrigerator cabinet to assure clearance for the appliance. Also, verify the height of the appliance to make sure you are using the correct Wall Refrigerator cabinet

- (CH) option unavailable
- (CW) option unavailable
- + (AD\_E) option unavailable
- \* Available with (TWR); unavailable with (CTR)
- ◆ (CTR) has dimension max. of 3"
- ▲ (TWR) option unavailable
- (DE) and (AD\_E) only available right or left, unavailable both sides

Grey color coding indicates new product, size or code.

- PE
- APC
- APFC
- FPFB
- MI
- DE
- OE
- ☆ AD\_E
- ☆ CW
- RD
- ☆ ID
- ☆ CH
- ☆ TWR
- XS
- ☆ XSG
- XSB
- IW
- GD

# Peninsula Wall Cabinets

## Construction Options and Modifications

<b>PW</b>	<b>33</b>	<b>30</b>
code	width	height

- ❖ Included as standard
- Available with an upcharge
- ☆ Available with exceptions
- (Blank) Unavailable

- PE Plywood Ends
- APC All Plywood Construction
- APFC All Plywood Furniture Construction
- FPEB Furniture Plywood Ends
- MI Matching Interior
- DE Integrated Decorative End
- AD\_E Attached Decorative End
- CW Change Width
- RD Reduced Depth
- ID Increased Depth
- CH Change Height
- TWR Top Wide Rail
- XS Extended Stile
- XSG Integrated Extended Stile
- GD Glass Doors

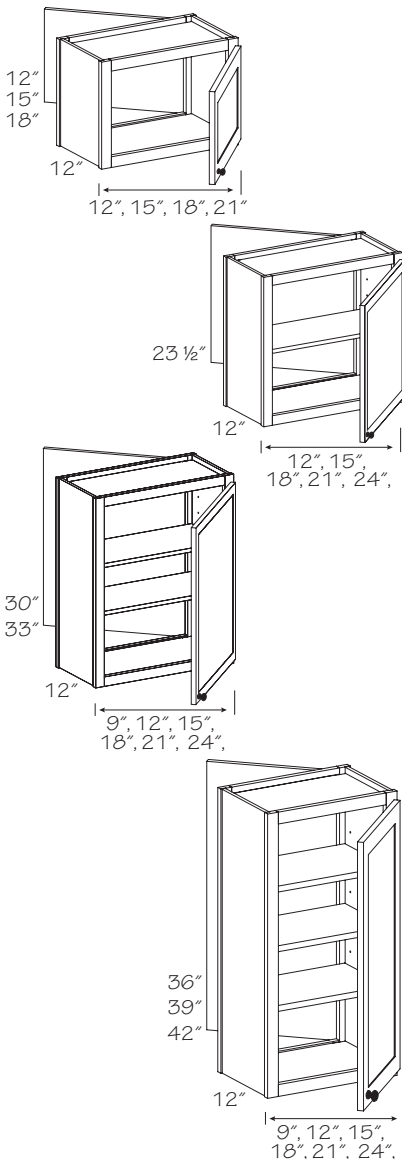
When BUTT is in all capitals, it **must** be included as part of your ordering nomenclature. A (Butt) in parentheses is for your information and isn't required on an order form.

**Caution:** Any wall cabinet over 24" wide or 30" high or higher with a depth greater than 12" and/or with butt doors **must** be installed between two (2) cabinets, a cabinet and a wall or supported from below. Failure to provide additional support could result in collapse of the cabinet, serious personal injury, or property damage. Damage relating to failure to provide additional support is **not** covered by the warranty.

Material dimensions listed may vary slightly from actual dimensions of the product. Specifications subject to change without notice.

**Note:** Peninsula wall cabinets needs be installed against soffit, ceiling or supported by countertop.

### Peninsula Wall Single Door



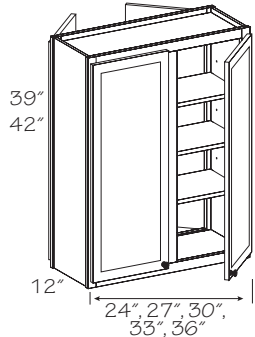
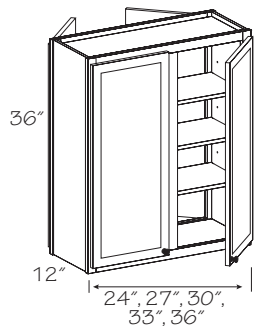
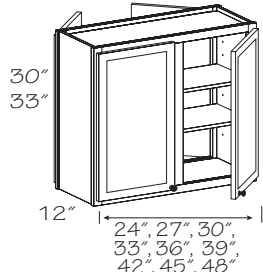
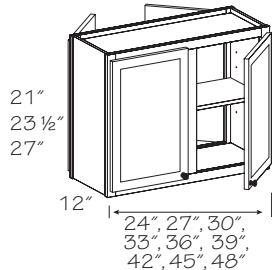
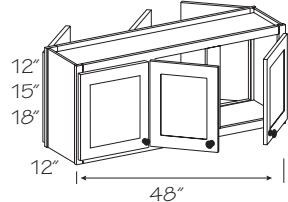
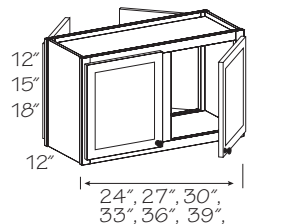
- No Shelf
  - 12" High
    - PW1212 R or L
    - PW1512 R or L
    - PW1812 R or L
    - PW2112 R or L
  - 15" High
    - PW1215 R or L
    - PW1515 R or L
    - PW1815 R or L
    - PW2115 R or L
  - No Shelf
    - 18" High
      - PW1218 R or L
      - PW1518 R or L
      - PW1818 R or L
      - PW2118 R or L
    - One Shelf
      - 23 1/2" High
        - PW1224 R or L
        - PW1524 R or L
        - PW1824 R or L
        - PW2124 R or L
        - PW2424 R or L
      - Two shelves
        - 30" High
          - †\*○ PW930 R or L
          - PW1230 R or L
          - PW1530 R or L
          - PW1830 R or L
          - PW2130 R or L
          - PW2430 R or L
  - Two shelves
    - 33" High
      - †\*○ PW933 R or L
      - PW1233 R or L
      - PW1533 R or L
      - PW1833 R or L
      - PW2133 R or L
      - PW2433 R or L
    - Three shelves
      - 36" High
        - †\*○ PW936 R or L
        - PW1236 R or L
        - PW1536 R or L
        - PW1836 R or L
        - PW2136 R or L
        - PW2436 R or L
      - Three shelves
        - 39" High
          - †\*○ PW939 R or L
          - PW1239 R or L
          - PW1539 R or L
          - PW1839 R or L
          - PW2139 R or L
          - PW2439 R or L
        - Three shelves
          - 42" High
            - †\*○ PW942 R or L
            - PW1242 R or L
            - PW1542 R or L
            - PW1842 R or L
            - PW2142 R or L
            - PW2442 R or L

- (CH) option unavailable
- ※ Doors are square except full overlay arch door styles. Thermofoil door styles will always be square. Veranda doors will have a solid, recessed flat panel
- (CW) option unavailable
- † Glass door option unavailable

- Specify R or L for door hinging on kitchen side
- Right shown
- Adjustable shelves
- Frame backs are unfinished

- PE
- APC
- APFC
- FPEB
- MI
- DE
- AD\_E
- ☆ CW
- RD
- ID
- ☆ CH
- TWR
- XS
- XSG
- ☆ GD

Peninsula Wall Double Door



- No shelf  
12" High  
○ **PW2412 BUTT**  
□ **PW2712 (Butt)**  
□ **PW3012**  
□ **PW3312**  
□ **PW3612**  
★ **PW3912**  
+★ **PW4812**

- No shelf  
15" High  
○ **PW2415 BUTT**  
□ **PW2715 (Butt)**  
□ **PW3015**  
□ **PW3315**  
□ **PW3615**  
★ **PW3915**  
+★ **PW4815**

- No shelf  
18" High  
○ **PW2418 BUTT**  
□ **PW2718 (Butt)**  
□ **PW3018**  
□ **PW3318**  
□ **PW3618**  
★ **PW3918**  
★ **PW4218**  
+★ **PW4818**

- One shelf  
21" High  
○ **PW3021**  
□ **PW3321**  
□ **PW3621**

- One shelf  
23 1/2" High  
○ **PW2424 BUTT**  
□ **PW2724 (Butt)**  
□ **PW3024**  
□ **PW3324**  
□ **PW3624**  
★ **PW3924**  
★ **PW4224**  
★ **PW4524**  
★ **PW4824**

- (CW) option unavailable
- (CH) option unavailable
- ★ Unavailable in (ID)
- + Glass door option unavailable

- One shelf  
27" High  
○ **PW3027**  
□ **PW3327**  
□ **PW3627**

- Two shelves  
30" High  
○ **PW2430 BUTT**  
□ **PW2730 (Butt)**  
□ **PW3030**  
□ **PW3330**  
□ **PW3630**  
★ **PW3930**  
★ **PW4230**  
★ **PW4530**  
★ **PW4830**

- Two shelves  
33" High  
○ **PW2433 BUTT**  
□ **PW2733 (Butt)**  
□ **PW3033**  
□ **PW3333**  
□ **PW3633**

- Three shelves  
36" High  
○ **PW2436 BUTT**  
□ **PW2736 (Butt)**  
□ **PW3036**  
□ **PW3336**  
□ **PW3636**

- Three shelves  
39" High  
○ **PW2439 BUTT**  
□ **PW2739 (Butt)**  
□ **PW3039**  
□ **PW3339**  
□ **PW3639**

- Three shelves  
42" High  
○ **PW2442 BUTT**  
□ **PW2742 (Butt)**  
□ **PW3042**  
□ **PW3342**  
□ **PW3642**

- Adjustable shelves
- Frame backs are unfinished
- ☆ Glass inserts unavailable on ends

- PE
- APC
- APFC
- FPFB
- MI
- DE
- AD\_E
- ☆ CW
- RD
- ☆ ID
- ☆ CH
- TWR
- XS
- XSG
- ☆ GD

# Wall Corner Cabinets

## Construction Options and Modifications

<b>PWBC</b>	<b>27</b>	<b>24</b>
code	width	height

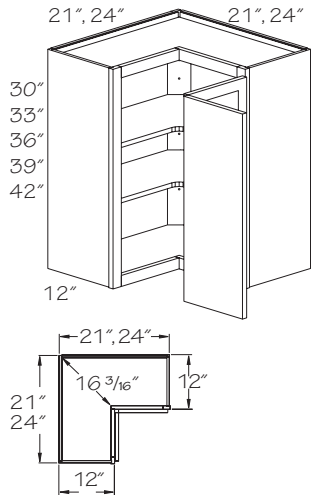
- ❖ Included as standard
- Available with an upcharge
- ☆ Available with exceptions
- (Blank) Unavailable

- PE Plywood Ends
- APC All Plywood Construction
- APFC All Plywood Furniture Construction
- FPEB Furniture Plywood Ends
- MI Matching Interior
- DE Integrated Decorative End
- OE Operational End
- AD\_E Attached Decorative End
- CW Change Width
- RD Reduced Depth
- ID Increased Depth
- CH Change Height
- TWR Top Wide Rail
- XS Extended Stile
- XSG Integrated Extended Stile
- XSB Extended Side Back
- GD Glass Doors

**Caution:** Any wall cabinet over 24" wide or 30" high or higher with a depth greater than 12" and/or with butt doors **must** be installed between two (2) cabinets, a cabinet and a wall or supported from below. Failure to provide additional support could result in collapse of the cabinet, serious personal injury, or property damage. Damage relating to failure to provide additional support is **not** covered by the warranty.

Material dimensions listed may vary slightly from actual dimensions of the product. Specifications subject to change without notice.

### Wall Easy Reach



- Two shelves  
30" High  
❖❖● **WEZR2130 R or L**  
❖❖● **WEZR2430 R or L**
- Two shelves  
33" High  
❖❖● **WEZR2133 R or L**  
❖❖● **WEZR2433 R or L**
- Three shelves  
36" High  
❖❖● **WEZR2136 R or L**  
❖❖● **WEZR2436 R or L**
- Three shelves  
39" High  
❖❖● **WEZR2139 R or L**  
❖❖● **WEZR2439 R or L**
- Three shelves  
42" High  
❖❖● **WEZR2142 R or L**  
❖❖● **WEZR2442 R or L**

- ❖ Doors are square except full overlay arch door styles. Thermofoil door styles will always be square. Veranda doors will have a solid, recessed flat panel. Castlewood doors will have a veneer, recessed flat panel
- ❖ Glass door option unavailable
- Wood-Grain Foil door styles will be supplied as vertical grain slabs
- (CW) option unavailable

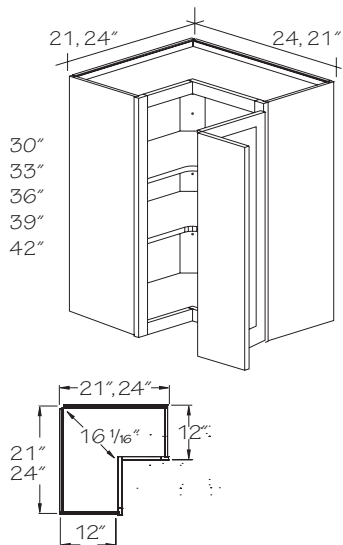
- Specify R or L for single door hinging
- Right shown
- Adjustable shelves
- Frame opening from left to right edge: 10 1/2" for WEZR21; 14 3/4" for WEZR24
- Face frame is scooped for hinge installation on full overlay door styles
- Hinged door opens to 170°
- ☆ Unavailable with Aluminum Frame Glass doors
- Both legs need to be modified equally for (CW); unavailable with (GD)
- **Note:** Unavailable with soft close feature



If corner cabinet adjacent to an object is deeper than the end panel, the door of the corner cabinet may not function properly

- PE
- APC
- APFC
- FPEB
- MI
- DE
- OE
- AD\_E
- ☆ CW
- RD
- ID
- CH
- TWR
- XS
- XSG
- XSB
- ☆ GD

### Asymmetrical Wall Easy Reach



Two shelves  
30" High  
**WEZR212430 R or L**  
**WEZR242130 R or L**

Two shelves  
33" High  
**WEZR212433 R or L**  
**WEZR242133 R or L**

Three shelves  
36" High  
**WEZR212436 R or L**  
**WEZR242136 R or L**

Three shelves  
39" High  
**WEZR212439 R or L**  
**WEZR242139 R or L**

Three shelves  
42" High  
**WEZR212442 R or L**  
**WEZR242142 R or L**

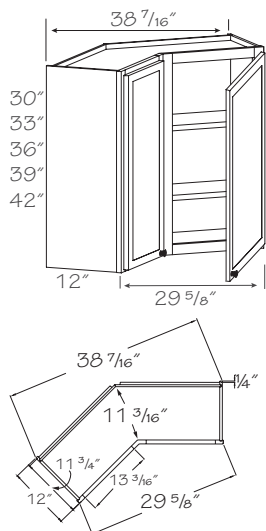
- Specify R or L for single door hinging
- Adjustable shelves
- Frame opening from left to right edge is 12 7/8"
- Face frame is scooped for hinge installation on full overlay door styles
- Hinged door opens to 170°
- Doors are square except full overlay arch door styles. Thermofoil door styles will always be square. Veranda doors will have a solid, recessed flat panel. Castlewood doors will have a veneer, recessed flat panel
- Wood-Grain Foil door styles will be supplied as vertical grain slabs
- **Note:** Unavailable with soft close feature



Remember, all 9" wide doors in 1/2" overlay will be square. If a 9" cabinet is required, one suggestion is to void the door and order the cabinet with (MI) and use it as a decorative open cabinet

- PE
- APC
- APFC
- FPEB
- MI
- DE
- OE
- AD\_E
- CW
- RD
- ID
- CH
- TWR
- XS
- XSG
- XSB
- GD

### 135° Wall Inside Angle Corner Cabinet



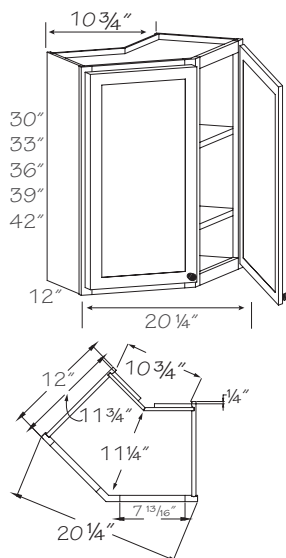
Two shelves  
**WIAC2130**  
**WIAC2133**

Three shelves  
**WIAC2136**  
**WIAC2139**  
**WIAC2142**

- Adjustable shelves
- Backs of cabinets are slightly recessed to allow for wall imperfections
- Shimming is required
- Allow 21" of wall space

- PE
- APC
- APFC
- FPEB
- MI
- DE
- OE
- AD\_E
- CW
- RD
- ID
- CH
- TWR
- XS
- XSG
- XSB
- GD

### 135° Wall Outside Angle Corner Cabinet



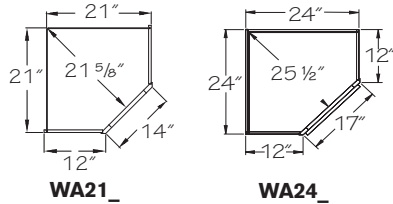
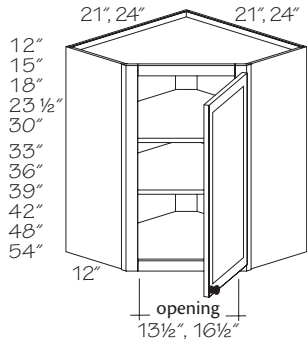
Two shelves  
**WOAC630**  
**WOAC633**

Three shelves  
**WOAC636**  
**WOAC639**  
**WOAC642**

- Adjustable shelves
- Backs of cabinets are slightly recessed to allow for wall imperfections
- Shimming is required
- Allow 6" of wall space

- PE
- APC
- APFC
- FPEB
- MI
- DE
- OE
- AD\_E
- CW
- RD
- ID
- CH
- TWR
- XS
- XSG
- XSB
- GD

### Wall Angle 12" Deep



- No Shelf
  - 21" Wide
    - ☐ **WA2112 R or L**
    - ★ **WA2115 R or L**
    - ★ **WA2118 R or L**
    - ★ **WA2124 R or L**
  - 24" Wide
    - ☐ **WA2412 R or L**
    - ☐ **WA2415 R or L**
    - ☐ **WA2418 R or L**
- One shelf
  - 24" Wide
    - ※ **WA2424 R or L**
- Two shelves
  - 21" Wide
    - ★ **WA2130 R or L**
    - ★ **WA2133 R or L**
  - 24" Wide
    - ※ **WA2430 R or L**
    - ※ **WA2433 R or L**
- Three shelves
  - 21" Wide
    - ★ **WA2136 R or L**
    - ★ **WA2139 R or L**
    - ★ **WA2142 R or L**
    - ★ **WA2148 R or L**
  - 24" Wide
    - Three shelves
      - ★ **WA2436 R or L**
      - ★ **WA2439 R or L**
      - ★ **WA2442 R or L**
    - Four shelves
      - ★ **WA2448 R or L**
- Four shelves
  - 21" Wide
    - ★ **WA2154 R or L**
  - 24" Wide
    - ★ **WA2454 R or L**

- ☐ (CH) option unavailable
- ※ Shelf is factory installed; unable to be removed
- ▲ Available in full overlay door styles only
- ★ Unavailable with Mullion glass doors (GD) option

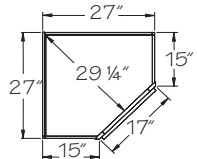
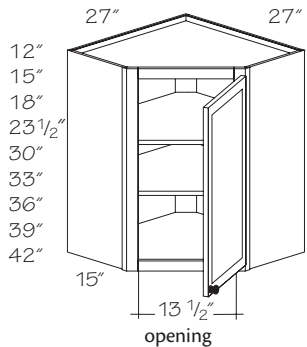
- Specify R or L for single door hinging
- Adjustable shelves
- ☆ (WTWR) available on 12"-36" high cabinets only
- ☆ Modern Frosted and Moire Glass Inserts unavailable on 54" H cabinets
- **Note:** Full overlay door styles use a 1/2" overlay hinge



If corner cabinet adjacent to an object is deeper than the end panel, the door of the corner cabinet may not function properly

●	PE
●	APC
●	APFC
●	FPEB
●	MI
●	DE
●	OE
●	AD_E
●	CW
●	RD
●	ID
☆	CH
☆	TWR
●	XS
●	XSG
●	XSB
☆	GD

### Wall Angle 15" Deep



- No shelf
    - ☐ **WA2712 R or L**
    - ☐ **WA2715 R or L**
    - ☐ **WA2718 R or L**
  - One shelf
    - ※ **WA2724 R or L**
  - Two shelves
    - WA2730 R or L**
    - WA2733 R or L**
  - Three shelves
    - WA2736 R or L**
    - WA2739 R or L**
    - WA2742 R or L**
- ☐ (CH) option unavailable
  - ※ Shelf is factory installed; unable to be removed

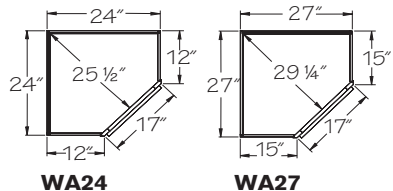
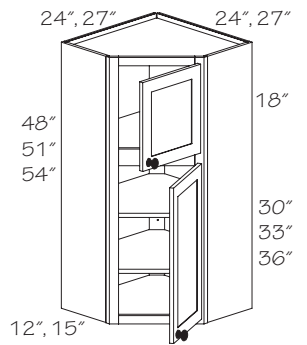
- Specify R or L for single door hinging
- Adjustable shelves
- Furniture Plywood Ends standard; recommended Matching Interior option is MIFP
- Flush Finished Ends standard
- ☆ (APFC) standard when (APC) option is selected
- **Note:** Full overlay door styles use a 1/2" overlay hinge



Full overlay doors on cabinets with an angled front are intentionally narrower to allow proper clearance of adjacent cabinets

●	PE
●	APC
☆	APFC
◆	FPEB
●	MI
●	DE
●	OE
●	AD_E
●	CW
●	RD
●	ID
☆	CH
●	TWR
●	XS
●	XSG
●	XSB
●	GD

### Wall Angle Stack

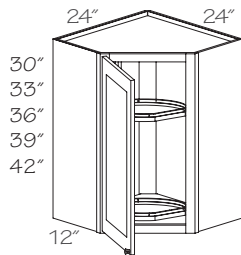


- Two shelves
    - 48" High
      - WAST2448 R or L**
      - ★ **WAST2748 R or L**
  - Two shelves
    - 51" High
      - WAST2451 R or L**
      - ★ **WAST2751 R or L**
  - Three shelves
    - 54" High
      - WAST2454 R or L**
      - ★ **WAST2754 R or L**
- ★ Furniture Plywood Ends standard; recommended Matching Interior option is MIFP

- Specify R or L for single door hinging
- Two vertical compartments with fixed rail and floor
- Bottom shelves are adjustable
- Shelves shipped separately
- Bottom door is always square
- ☆ Glass on top and bottom on select (GD) designs only
- **Note:** Full overlay door styles use a 1/2" overlay hinge

☆	PE
●	APC
●	APFC
☆	FPEB
●	MI
●	DE
●	OE
●	AD_E
●	CW
●	RD
●	ID
●	CH
●	TWR
●	XS
●	XSG
●	XSB
☆	GD

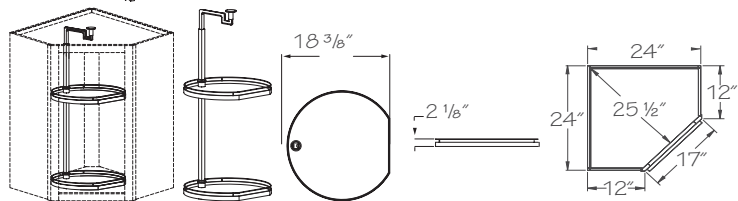
### Wall Angle Chrome Lazy Susan



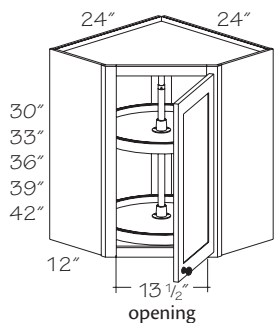
Two shelves  
**WA2430 R or L.CLS**  
**WA2433 R or L.CLS**  
 Three shelves  
**WA2436 R or L.CLS**  
**WA2439 R or L.CLS**  
**WA2442 R or L.CLS**

- Specify R or L for single door hinging
- 19 1/2" diameter rotating shelves
- Max. weight per shelf is 18 lbs.
- Shelves rotate together
- **Note:** Full overlay door styles use a 1/2" overlay hinge

- PE
- APC
- APFC
- FPFB
- MI
- DE
- OE
- AD\_E
- CW
- RD
- ID
- CH
- TWR
- XS
- XSG
- XSB
- GD



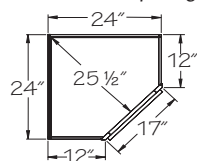
### Wall Angle Wood Lazy Susan



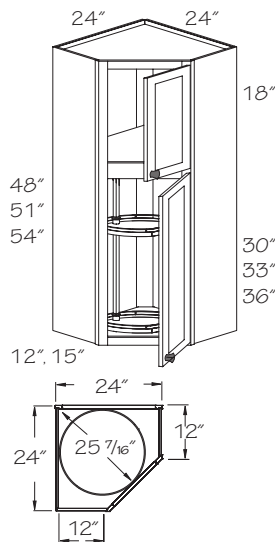
Two shelves  
**WA2430 R or L.WLS**  
**WA2433 R or L.WLS**  
 Three shelves  
**WA2436 R or L.WLS**  
**WA2439 R or L.WLS**  
**WA2442 R or L.WLS**

- Specify R or L for single door hinging
- 19 1/2" diameter rotating shelves
- Rotating shelves have wood floor and trim
- **Note:** Full overlay door styles use a 1/2" overlay hinge

- PE
- APC
- APFC
- FPFB
- MI
- DE
- OE
- AD\_E
- CW
- RD
- ID
- CH
- TWR
- XS
- XSG
- XSB
- GD



### Wall Angle Stack Chrome Lazy Susan

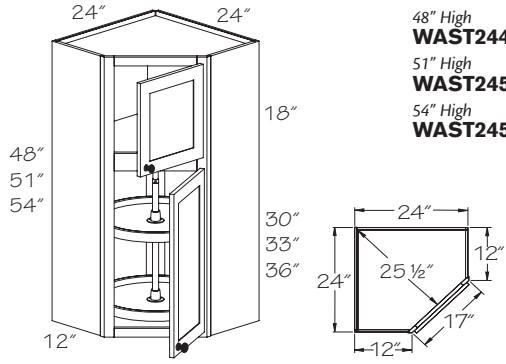


48" High  
**WAST2448 R or L.CLS**  
 51" High  
**WAST2451 R or L.CLS**  
 54" High  
**WAST2454 R or L.CLS**

- Specify R or L for single door hinging
- 19 11/16" diameter rotating shelves
- Max. weight per shelf is 18 lbs.
- Shelves rotate together
- Two vertical compartments with fixed rail and floor
- Bottom door is always square
- ☆ Glass on top and bottom on select (GD) designs only
- **Note:** Full overlay door styles use a 1/2" overlay hinge

- PE
- APC
- APFC
- FPFB
- MI
- DE
- OE
- AD\_E
- CW
- RD
- ID
- CH
- TWR
- XS
- XSG
- XSB
- ☆ GD

### Wall Angle Stack Wood Lazy Susan

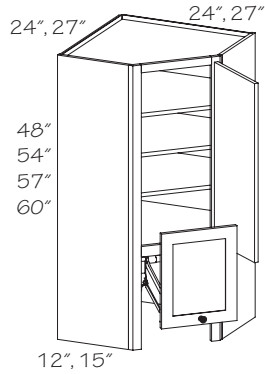


- 48" High  
**WAST2448 R or L.WLS**
- 51" High  
**WAST2451 R or L.WLS**
- 54" High  
**WAST2454 R or L.WLS**

- Specify R or L for single door hinging
- 19 1/2" diameter rotating shelves
- Rotating shelves have wood floor and trim
- Two vertical compartments with fixed rail and floor
- Bottom door is always square
- ☆ Glass on top and bottom on select (GD) designs only
- **Note:** Full overlay door styles use a 1/2" overlay hinge

●	PE
●	APC
●	APFC
●	FPEB
●	MI
	DE
	OE
●	AD_E
	CW
	RD
	ID
	CH
	TWR
	XS
	XSG
	XSB
☆	GD

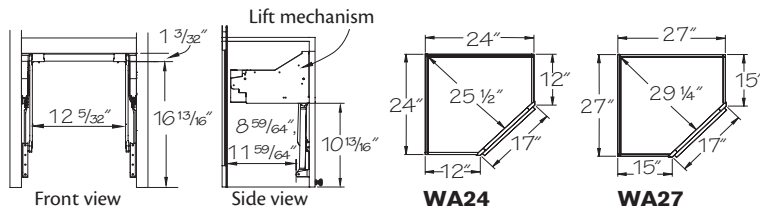
### Wall Angle Appliance Garage



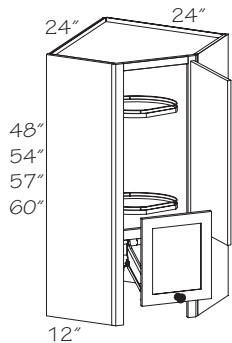
- Two adjustable shelves  
48" High  
□ **WAAG2448 R or L**  
☆ **WAAG2748 R or L**
- Three adjustable shelves  
54" High  
**WAAG2454 R or L**  
★ **WAAG2754 R or L**
- Three adjustable shelves  
57" High  
+★ **WAAG2457 R or L**  
+★ **WAAG2757 R or L**
- Three adjustable shelves  
60" High  
+★ **WAAG2460 R or L**  
+★ **WAAG2760 R or L**
- (CH) option unavailable  
★ (FPEB) standard  
+ (AD\_E) option unavailable

- Specify R or L for single door hinging
- Clearance from countertop to bottom of door is 20 1/32"
- Adjustable soft close lift mechanism standard
- Shelves shipped separately
- Bottom door is always square
- (VDA) is unavailable
- ☆ Glass doors available for top doors only
- ☆ (AD\_E) both option is unavailable.
- **Note:** Full overlay door styles use a 1/2" overlay hinge

☆	PE
●	APC
●	APFC
☆	FPEB
●	MI
	DE
	OE
☆	AD_E
	CW
	RD
	ID
☆	CH
	TWR
	XS
	XSG
	XSB
☆	GD



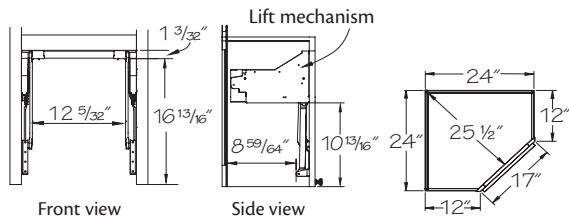
### Wall Angle Appliance Garage Chrome Lazy Susan



- Two shelves  
48" High  
**WAAG2448 R or L.CLS**
- Three shelves  
54" High  
**WAAG2454 R or L.CLS**
- Three shelves  
57" High  
**WAAG2457 R or L.CLS**
- Three shelves  
60" High  
**WAAG2460 R or L.CLS**

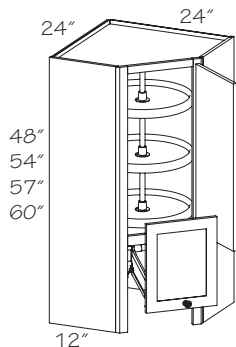
- Specify R or L for single door hinging
- 19 11/16" diameter rotating shelves
- Max. weight per shelf is 18 lbs.
- Shelves rotate together
- Clearance from countertop to bottom of door is 20 1/32"
- Adjustable soft close lift mechanism standard
- Bottom door is always square
- (VDA) is unavailable
- ☆ Glass doors available for top doors only
- ☆ (AD\_E) both option is unavailable.
- **Note:** Full overlay door styles use a 1/2" overlay hinge

●	PE
●	APC
●	APFC
●	FPEB
●	MI
	DE
	OE
●	AD_E
	CW
	RD
	ID
	CH
	TWR
	XS
	XSG
	XSB
☆	GD





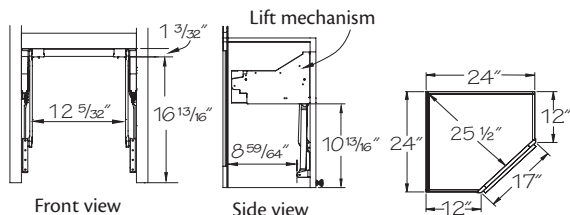
### Wall Angle Appliance Garage Wood Lazy Susan



- Two shelves  
48" High  
**WAAG2448 R or L.WLS**
- Three shelves  
54" High  
**WAAG2454 R or L.WLS**
- Three shelves  
57" High  
**WAAG2457 R or L.WLS**
- Three shelves  
60" High  
**WAAG2460 R or L.WLS**

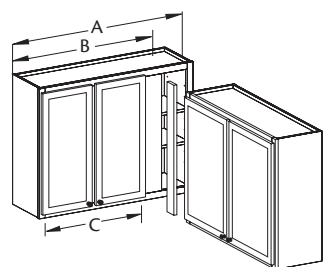
- Specify R or L for single door hinging
- 19 1/2" diameter rotating shelves
- Adjustable soft close lift mechanism standard
- Rotating shelves have wood floor and trim
- Clearance from countertop to bottom of door is 20 1/32"
- Bottom door is always square
- (VDA) is unavailable
- ☆ Glass doors available for top doors only
- ☆ (AD\_E) both option is unavailable.
- **Note:** Full overlay door styles use a 1/2" overlay hinge

- PE
- APC
- APFC
- FPFB
- MI
- DE
- OE
- AD\_E
- CW
- RD
- ID
- CH
- TWR
- XS
- XSG
- XSB
- ☆ GD



### Wall Blind Corner Cabinet Information

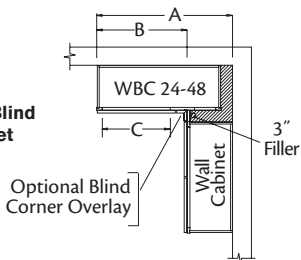
Right blind shown  
R or L indicates blind



- All WBC24 doors are square except full overlay arch door styles. Veranda door styles will have a solid, recessed flat panel
- All Wall Blind Corner cabinets should be pulled. Consult chart for pull dimensions and min. wall space requirements
- Specify R or L; R or L indicates blind
- Door hinged on same side as blind on single door cabinets
- Max pull is 3 3/4"
- **Note:** A 3" Wall Filler is supplied and shipped separately with each Wall Blind Cabinet ordered. A Wall Cabinet adjacent to WBC may be ordered with an extended stile in lieu of installing the supplied filler. Two 3" Wall Fillers are supplied with each Peninsula Wall Blind Corner ordered. Overlay Panel for Wall Blind Corner Cabinets is recommended for full overlay door styles

- PE
- APC
- APFC
- FPFB
- MI
- DE
- OE
- AD\_E
- CW
- RD
- ID
- CH
- TWR
- XS
- XSG
- XSB
- GD

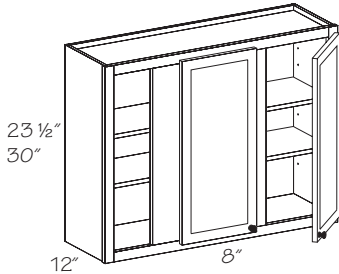
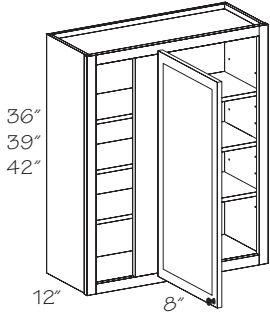
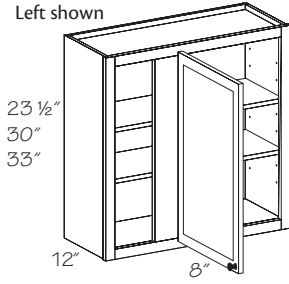
Wall Blind Cabinet



Cabinet	1/2" Overlay				Full Overlay							
	Wall Space "A"		Exposed Front "B"		Door Open "C"	Cab. Width	Wall Space "A"		Exposed Front "B"		Door Open "C"	Cab. Width
Min	Max	Min	Max	Min			Max	Min	Max			
WBC24	21 1/4"	24 3/4"	9 1/4"	12 3/4"	6"	21"	22"	24 3/4"	10"	12 3/4"	6"	21"
WBC27	24 1/4"	27 3/4"	12 1/4"	15 3/4"	9"	24"	25"	27 3/4"	13"	15 3/4"	9"	24"
WBC30	27 1/4"	30 3/4"	15 1/4"	18 3/4"	12"	27"	28"	30 3/4"	16"	18 3/4"	12"	27"
WBC33	30 1/4"	33 3/4"	18 1/4"	21 3/4"	15"	30"	31"	33 3/4"	19"	21 3/4"	15"	30"
WBC36	33 1/4"	36 3/4"	21 1/4"	24 3/4"	18"	33"	34"	36 3/4"	22"	24 3/4"	18"	33"
WBC39	36 1/4"	39 3/4"	24 1/4"	27 3/4"	21"	36"	37"	39 3/4"	25"	27 3/4"	21"	36"
WBC42	39 1/4"	42 3/4"	27 1/4"	30 3/4"	24"	39"	40"	42 3/4"	28"	30 3/4"	24"	39"
WBC45	42 1/4"	45 3/4"	30 1/4"	33 3/4"	(2) 12"	42"	43"	45 3/4"	31"	33 3/4"	(2) 12"	42"
WBC48	45 1/4"	48 3/4"	33 1/4"	36 3/4"	(2) 13 1/2"	45"	46"	48 3/4"	34"	36 3/4"	(2) 13 1/2"	45"

### Wall Blind Corner 23 1/2" - 42" H

Left shown



Single Door  
One shelf  
23 1/2" High  
**WBC2724 R or L**  
**WBC3024 R or L**  
**WBC3324 R or L**  
**WBC3624 R or L**  
**WBC3924 R or L**

Single Door  
Two shelves  
30" High  
+\* **WBC2430 R or L**  
**WBC2730 R or L**  
**WBC3030 R or L**  
**WBC3330 R or L**  
**WBC3630 R or L**  
**WBC3930 R or L**

Single Door  
Two shelves  
33" High  
+\* **WBC2433 R or L**  
**WBC2733 R or L**  
**WBC3033 R or L**  
**WBC3333 R or L**  
**WBC3633 R or L**  
**WBC3933 R or L**

Single Door  
Three shelves  
36" High  
+\* **WBC2436 R or L**  
**WBC2736 R or L**  
**WBC3036 R or L**  
**WBC3336 R or L**  
**WBC3636 R or L**

Single Door  
Three shelves  
39" High  
+\* **WBC2439 R or L**  
**WBC2739 R or L**  
**WBC3039 R or L**  
**WBC3339 R or L**  
**WBC3639 R or L**  
**WBC3939 R or L**

Single Door  
Three shelves  
42" High  
+\* **WBC2442 R or L**  
**WBC2742 R or L**  
**WBC3042 R or L**  
**WBC3342 R or L**  
**WBC3642 R or L**  
**WBC3942 R or L**

Double Door  
One shelf  
23 1/2" High  
\* **WBC4224 R or L**  
\* **WBC4524 R or L**  
\* **WBC4824 R or L**

Double Door  
Two shelves  
30" High  
\* **WBC4230 R or L**  
\* **WBC4530 R or L**  
\* **WBC4830 R or L**

\* Doors are square except full overlay arch door styles.  
Thermofoil door styles will always be square. Veranda doors will have a solid, recessed flat panel

+ Glass door option unavailable

◆ (TWR) option unavailable

★ Unavailable in (ID)

▲ Two butt doors

- Specify R or L; R or L indicates blind
- Adjustable shelves
- Overlay Panel for Wall Blind Corner Cabinet is recommended for full overlay door styles; order separately

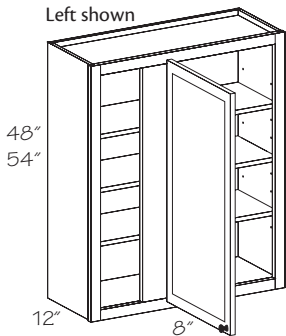


Remember to order Flush Finished Blind on a Wall Blind Corner if the adjacent cabinet is shorter than the WBC

- PE
- APC
- APFC
- FPFB
- MI
- DE
- OE
- AD\_E
- CW
- RD
- ☆ ID
- CH
- ☆ TWR
- XS
- XSG
- XSB
- ☆ GD

### Wall Blind Corner 48" and 54" H

Left shown



Three shelves  
48" High  
+\* **WBC2448 R or L**  
**WBC2748 R or L**  
**WBC3048 R or L**  
**WBC3348 R or L**  
**WBC3648 R or L**  
\* **WBC3948 R or L**

\* Doors are square except full overlay arch door styles.  
Thermofoil door styles will always be square. Veranda doors will have a solid, recessed flat panel

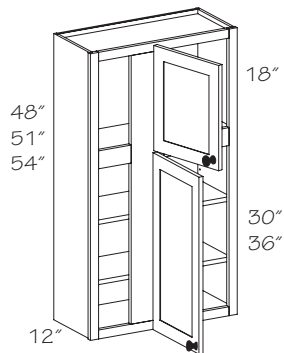
+ Glass door option unavailable

★ Unavailable in (ID)

Four shelves  
54" High  
+\* **WBC2454 R or L**  
**WBC2754 R or L**  
**WBC3054 R or L**  
**WBC3354 R or L**  
**WBC3654 R or L**  
\* **WBC3954 R or L**

- Specify R or L; R or L indicates blind
- Adjustable shelves
- Shelves shipped separately
- Available in full overlay door styles only
- Overlay Panel for Wall Blind Corner Cabinet is recommended for full overlay door styles; order separately
- ☆ Max. (ID) is 15"
- ☆ Unavailable with Camed glass door (GD) option
- ☆ Unavailable with Mullion glass doors (GD) option
- ☆ Modern Frosted and Moire Glass Inserts unavailable on 54" H cabinets

- PE
- APC
- APFC
- FPFB
- MI
- DE
- OE
- AD\_E
- CW
- RD
- ☆ ID
- CH
- TWR
- XS
- XSG
- XSB
- ☆ GD



## Wall Blind Corner Stack

Two shelves

48" High

- +\* **WBCST2448 R or L**
- WBCST2748 R or L**
- WBCST3048 R or L**
- WBCST3348 R or L**
- WBCST3648 R or L**
- \* **WBCST3948 R or L**

Two shelves

51" High

- +\* **WBCST2451 R or L**
- WBCST2751 R or L**
- WBCST3051 R or L**
- WBCST3351 R or L**
- WBCST3651 R or L**
- \* **WBCST3951 R or L**

Three shelves

54" High

- +\* **WBCST2454 R or L**
- WBCST2754 R or L**
- WBCST3054 R or L**
- WBCST3354 R or L**
- WBCST3654 R or L**
- \* **WBCST3954 R or L**

- Specify R or L; R or L indicates blind
- Two vertical compartments with fixed rail and floor
- Bottom shelves are adjustable
- Shelves shipped separately
- Bottom door is always square
- Overlay Panel for Wall Blind Corner Cabinet is recommended for full overlay door styles; order separately
- ☆ Max. (ID) is 15"
- ☆ Glass on top and bottom on select (GD) designs only

●	PE
●	APC
●	APFC
●	FPEB
●	MI
●	DE
●	OE
●	AD_E
●	CW
●	RD
☆	ID
●	CH
●	TWR
●	XS
●	XSG
●	XSB
☆	GD

- ※ Doors are square except full overlay arch door styles. Thermofoil door styles will always be square. Veranda doors will have a solid, recessed flat panel
- + Glass door option unavailable
- \* Unavailable in (ID)

# Peninsula Wall Corner Cabinets

## Construction Options and Modifications

PWA	24	30	R
code	width	height	kitchen side hinging

- ◆ Included as standard
- Available with an upcharge
- ☆ Available with exceptions
- (Blank) Unavailable

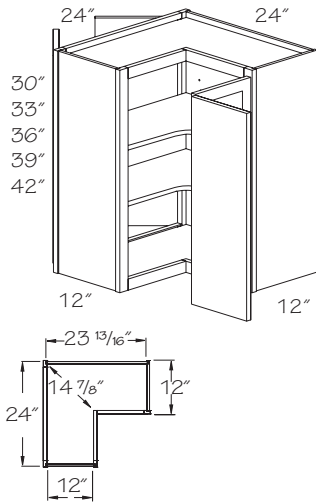
- PE Plywood Ends
- APC All Plywood Construction
- APFC All Plywood Furniture Construction
- FPEB Furniture Plywood Ends
- MI Matching Interior
- AD\_E Attached Decorative End
- CW Change Width
- RD Reduced Depth
- ID Increased Depth
- CH Change Height
- XS Extended Stile
- GD Glass Doors

Specify R or L rear door position. The second R or L designates rear frame position looking at kitchen side.

Material dimensions listed may vary slightly from actual dimensions of the product. Specifications subject to change without notice.

### Peninsula Wall Easy Reach

Right/Left shown

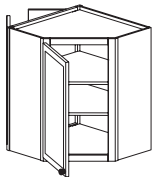


- Two shelves  
30" High  
**PWEZR2430 RR or RL**  
**PWEZR2430 LR or LL**
- Two shelves  
33" High  
**PWEZR2433 RR or RL**  
**PWEZR2433 LR or LL**
- Three shelves  
36" High  
**PWEZR2436 RR or RL**  
**PWEZR2436 LR or LL**
- Three shelves  
39" High  
**PWEZR2439 RR or RL**  
**PWEZR2439 LR or LL**
- Three shelves  
42" High  
**PWEZR2442 RR or RL**  
**PWEZR2442 LR or LL**

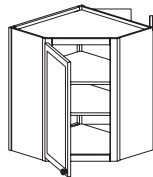
- Specify R or L for door hinging on kitchen side and rear door placement
- Adjustable shelves
- Butt doors on peninsula side
- Hinged door opens to 170°
- See example for hinging and rear door position
- Frame backs are unfinished
- ☆ Glass inserts unavailable on ends
- ☆ Unavailable with Aluminum Frame glass doors on kitchen side
- **Note:** Peninsula side doors feature soft close hinging; soft close is unavailable on Kitchen side

- PE
- APC
- APFC
- FPEB
- MI
- AD\_E
- CW
- RD
- ID
- CH
- XS
- ☆ GD

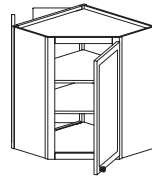
### Peninsula Wall Angle Example



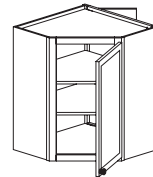
Left/Left



Left/Right



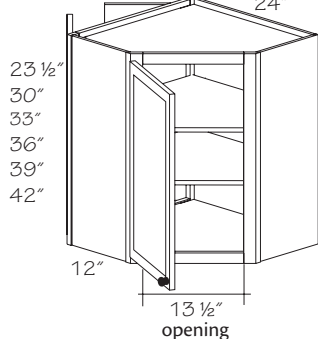
Right/Left



Right/Right

### Peninsula Wall Angle

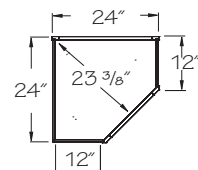
Left/Left shown



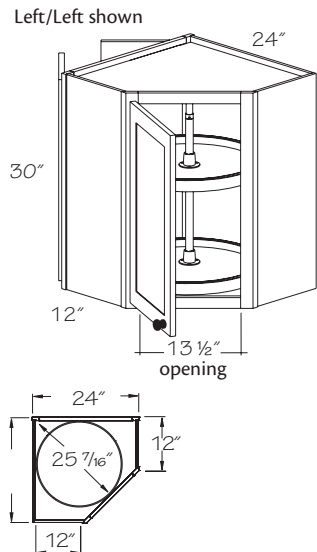
- One shelf  
23 1/2" High  
**PWA2424 RR or RL**  
**PWA2424 LR or LL**
- Two shelves  
30" High  
**PWA2430 RR or RL**  
**PWA2430 LR or LL**
- Two shelves  
33" High  
**PWA2433 RR or RL**  
**PWA2433 LR or LL**
- Three shelves  
36" High  
**PWA2436 RR or RL**  
**PWA2436 LR or LL**
- Three shelves  
39" High  
**PWA2439 RR or RL**  
**PWA2439 LR or LL**
- Three shelves  
42" High  
**PWA2442 RR or RL**  
**PWA2442 LR or LL**

- Specify R or L for door hinging on kitchen side and rear door placement
- Adjustable shelves
- Butt doors on peninsula side
- Frame backs are unfinished
- See example for hinging and rear door position
- ☆ Glass inserts unavailable on ends
- **Note:** Full overlay door styles: Kitchen side doors use 1/2" overlay hinges; Peninsula side doors use full overlay hinges

- PE
- APC
- APFC
- FPEB
- MI
- AD\_E
- CW
- RD
- ID
- CH
- XS
- ☆ GD



### Peninsula Wall Angle Wood Lazy Susan



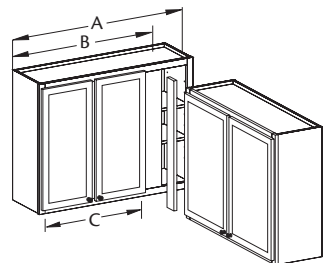
Two Shelves  
**PWA2430 RR or RL.WLS**  
**PWA2430 LR or LL.WLS**

- Specify R or L for door hinging on kitchen side and rear door placement
- 19 1/2" diameter rotating shelves
- Rotating shelves have wood floor and trim
- Butt doors on peninsula side
- Frame backs are unfinished
- See example for hinging and rear door position
- ☆ Glass inserts unavailable on ends
- **Note:** Full overlay door styles: Kitchen side doors use 1/2" overlay hinges; Peninsula side doors use full overlay hinges

- PE
- APC
- APFC
- FPFB
- MI
- AD\_E
- CW
- RD
- ID
- CH
- XS
- ☆ GD

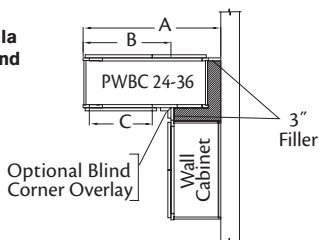
### Peninsula Wall Blind Corner Cabinet Information

Right blind shown  
 R or L indicates blind

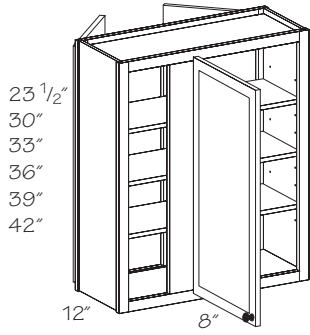


- All PWBC24 doors are square except full overlay arch door styles. Veranda door styles will have a solid, recessed flat panel
- All Wall Blind Corner Cabinets should be pulled. Consult chart for pull dimensions and min. wall space requirements
- Specify R or L; R or L indicates blind
- Door hinged on same side as blind on single door cabinets
- Max pull is 3 3/4"
- **Note:** A 3" Wall Filler is supplied and shipped separately with each Wall Blind Cabinet ordered. A Wall Cabinet adjacent to WBC may be ordered with an extended stile in lieu of installing the supplied filler. Two 3" Wall Fillers are supplied with each Peninsula Wall Blind Corner ordered. Overlay Panel for Wall Blind Corner Cabinets is recommended for full overlay door styles

Peninsula Wall Blind Cabinet



Cabinet	1/2" Overlay		Exposed Front "B"		Door Open "C"	Cab. Width	Full Overlay		Exposed Front "B"		Door Open "C"	Cab. Width
	Min	Max	Min	Max			Min	Max	Min	Max		
PWBC24	21 1/4"	24 3/4"	9 1/4"	12 3/4"	6"	21"	22"	24 3/4"	10"	12 3/4"	6"	21"
PWBC27	24 1/4"	27 3/4"	12 1/4"	15 3/4"	9"	24"	25"	27 3/4"	13"	16 3/4"	9"	24"
PWBC30	27 1/4"	30 3/4"	15 1/4"	18 3/4"	12"	27"	28"	30 3/4"	16"	19 3/4"	12"	27"
PWBC33	30 1/4"	33 3/4"	18 1/4"	21 3/4"	15"	30"	31"	33 3/4"	19"	21 3/4"	15"	30"
PWBC36	33 1/4"	36 3/4"	21 1/4"	24 3/4"	18"	33"	34"	36 3/4"	22"	24 3/4"	18"	33"



**Peninsula Wall Blind Corner**

One shelf

23 1/2" High

- \* **PWBC2724 R or L**
- \* **PWBC3024 R or L**
- \* **PWBC3324 R or L**
- \* **PWBC3624 R or L**

Two shelves

30" High

- +\* **PWBC2430 R or L**
- \* **PWBC2730 R or L**
- \* **PWBC3030 R or L**
- \* **PWBC3330 R or L**
- \* **PWBC3630 R or L**

Two shelves

33" High

- +\* **PWBC2433 R or L**
- \* **PWBC3033 R or L**
- \* **PWBC3633 R or L**

\* Butt doors on peninsula side

\* Single door both sides

▲ Kitchen side door is square except full overlay arched door styles. Thermofoil door styles are always square. Veranda doors will have a solid, recessed flat panel

+ Glass door option unavailable

Three shelves

36" High

- +\* **PWBC2436 R or L**
- \* **PWBC3036 R or L**
- \* **PWBC3636 R or L**

Three shelves

39" High

- +\* **PWBC2439 R or L**
- \* **PWBC3039 R or L**
- \* **PWBC3639 R or L**

Three shelves

42" High

- +\* **PWBC2442 R or L**
- \* **PWBC3042 R or L**
- \* **PWBC3642 R or L**

- Specify R or L; R or L indicates blind
- Left shown
- Adjustable shelves
- Frame backs are unfinished
- **Note:** Two 3" fillers included. Order Overlay Panel for Wall Blind Corner Cabinets separately



We recommend using Under Cabinet Panels on all wall cabinet runs.

This will give the kitchen an elegant finished look. Unless ordered with a matching wood veneer interior option, the under side of wall cabinets are a natural birch material

- PE
- APC
- APFC
- FPFB
- MI
- AD\_E
- CW
- RD
- ID
- CH
- XS
- ☆ GD

# Wall Specialty Cabinets

<b>WMSP</b>	<b>36</b>	<b>36</b>
code	width	height

## Construction Options and Modifications

- ❖ Included as standard
- Available with an upcharge
- ☆ Available with exceptions
- (Blank) Unavailable

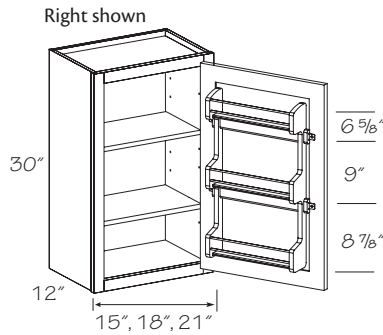
- PE Plywood Ends
- APC All Plywood Construction
- APFC All Plywood Furniture Construction
- FPEB Furniture Plywood Ends
- MI Matching Interior
- DE Integrated Decorative End
- OE Operational End
- AD\_E Attached Decorative End
- CW Change Width
- RD Reduced Depth
- ID Increased Depth
- CH Change Height
- TWR Top Wide Rail
- XS Extended Stile
- XSG Integrated Extended Stile
- XSB Extended Side Back
- GD Glass Doors

**Caution:** Any wall cabinet over 24" wide or 30" high or higher with a depth greater than 12" and/or with butt doors **must** be installed between two (2) cabinets, a cabinet and a wall or supported from below. Failure to provide additional support could result in collapse of the cabinet, serious personal injury, or property damage. Damage relating to failure to provide additional support is **not** covered by the warranty.

Material dimensions listed may vary slightly from actual dimensions of the product. Specifications subject to change without notice.

### Wall Cabinet w/Spice Rack

**W1530 R or L.SR**  
**W1830 R or L.SR**  
**W2130 R or L.SR**



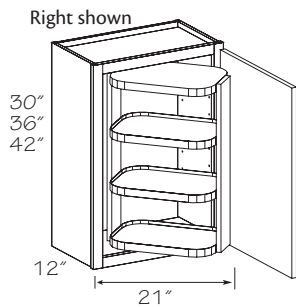
- Specify R or L for single door hinging
- Two standard depth adjustable shelves
- Spice rack is 3 1/8" deep, rack shelf is 2 1/8" deep

- PE
- APC
- APC
- APFC
- FPEB
- MI
- DE
- OE
- AD\_E
- CW
- RD
- ID
- CH
- TWR
- XS
- XSG
- XSB
- GD

### Wall Reverse-A-Shelf

Three shelves Shelf clearance top to bottom  
**W2130 R or L.RS** 6 1/6" - 7 1/16" - 6 11/16"  
**W2136 R or L.RS** 8 1/8" - 9 1/16" - 8 11/16"

Four shelves  
**W2142 R or L.RS** 7 3/16" - 8" - 8" - 7 5/8"

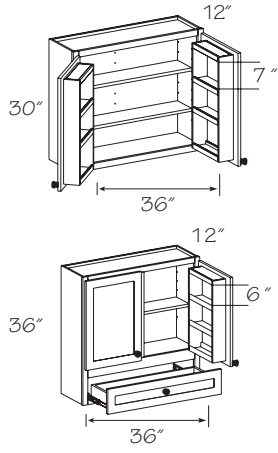


- Specify R or L for single door hinging
- Shelf assembly pivots 180° for full shelf access
- Vinyl laminated shelves with wood grain T-molding
- Contrasting Back Options (CBEB, CPLB) unavailable
- **Note:** Cabinet is unable to be reversed



We recommend using Under Cabinet Panels on all wall cabinet runs. This will give the kitchen an elegant finished look. Unless ordered with a matching wood veneer interior option, the under side of wall cabinets are a natural birch material

- PE
- APC
- APC
- APFC
- FPEB
- MI
- DE
- OE
- AD\_E
- CW
- RD
- ID
- CH
- TWR
- XS
- XSG
- XSB
- GD



### Wall Multi-Storage Pantry

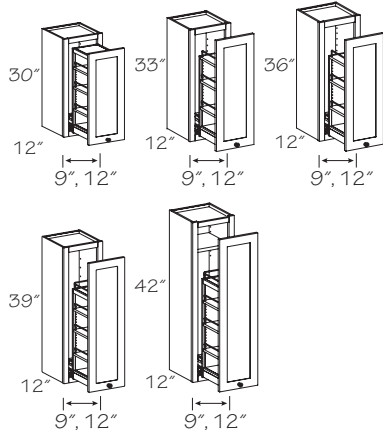
**WMSP3630 (Butt)**  
**\* WMSP3636**

\* Full extension side-mount drawer glides; Mullion strip attached to left door

- Adjustable 7 1/8" deep shelves
- Two 4" deep door storage racks with three fixed shelves
- Unavailable with knife hinge door option

●	PE
●	APC
●	APFC
●	FPEB
●	MI
	DE
	OE
●	AD_E
	CW
	RD
	ID
	CH
●	TWR
●	XSG
	XSB
	GD

### Wall Pantry Pull-out



30" High  
**\* WPP930**  
**WPP1230**

33" High  
**\* WPP933**  
**WPP1233**

36" High  
**\* WPP936**  
**WPP1236**

39" High  
**\* WPP939**  
**WPP1239**

42" High  
**+\* WPP942**  
**+ WPP1242**

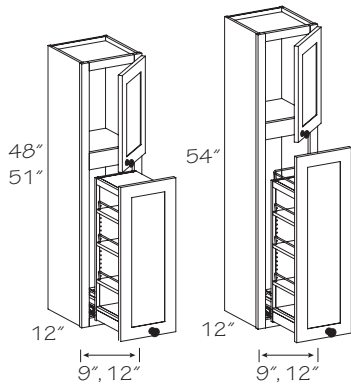
\* Doors are square except full overlay arch door styles. Thermofoil door styles will always be square. Veranda doors will have a solid, recessed flat panel

+ One adjustable shelf above pull-out

- Three adjustable shelves
- Shelves have solid wood floor with chrome wire side rails
- Shelves are 9 1/2" deep
- Shelf widths are 4 1/4" or 7 1/8"
- Unit slides on full extension side-mount runners

●	PE
●	APC
●	APFC
●	FPEB
●	MI
●	DE
	OE
●	AD_E
	CW
	RD
	ID
	CH
	TWR
●	XSG
●	XSB
	GD

### Wall Pantry Pull-out Stack



48" High  
**+\* WPPST948 R or L**  
**WPPST1248 R or L**

51" High  
**+\* WPPST951 R or L**  
**WPPST1251 R or L**

54" High  
**+\* WPPST954 R or L**  
**WPPST1254 R or L**

\* Doors are square except full overlay arch door styles. Thermofoil door styles will always be square. Veranda doors will have a solid, recessed flat panel

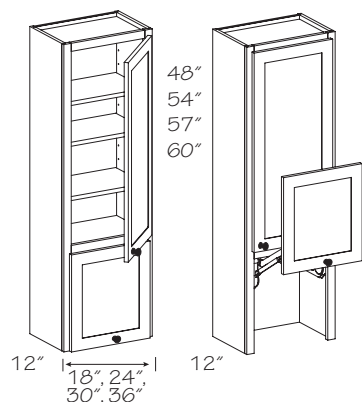
+ Glass door option unavailable

- Specify R or L for single door hinging
- Two vertical compartments with fixed rail and floor
- Bottom door is always square
- ☆ Glass doors available for top doors only

●	PE
●	APC
●	APFC
●	FPEB
	MI
●	DE
	OE
●	AD_E
	CW
	RD
	ID
	CH
	TWR
	XSG
●	XSB
☆	GD



## Wall Appliance Garage



Two shelves  
 48" High  
**WAG181248 R or L**  
**WAG241248 R or L**  
**WAG241248 BUTT**  
**WAG301248**  
**WAG361248**

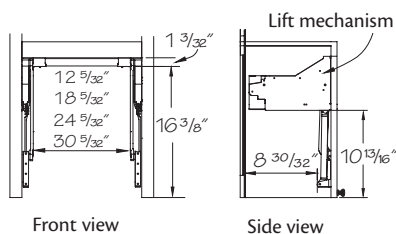
Three shelves  
 54" High  
**WAG181254 R or L**  
**WAG241254 R or L**  
**WAG241254 BUTT**  
**WAG301254**  
**WAG361254**

Three shelves  
 57" High  
**WAG181257 R or L**  
**WAG241257 R or L**  
**WAG241257 BUTT**  
**WAG301257**  
**WAG361257**

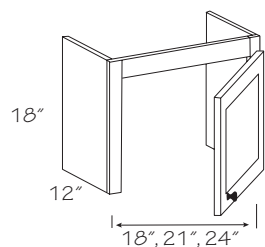
Three shelves  
 60" High  
**WAG181260 R or L**  
**WAG241260 R or L**  
**WAG241260 BUTT**  
**WAG301260**  
**WAG361260**

- Specify R or L for single door hinging
- Adjustable shelves
- Clearance from countertop to bottom of door is 20 1/32"
- Adjustable soft close lift mechanism standard
- (VDA) is unavailable
- Bottom door is always square
- ☆ Glass doors available for top doors only
- ☆ Max. (ID) is 24"
- ☆ (AD\_E) both option is unavailable.

- PE
- APC
- APFC
- FPFB
- MI
- DE
- OE
- AD\_E
- CW
- RD
- ☆ ID
- CH
- TWR
- XS
- XSG
- XSB
- ☆ GD



## Door Storage

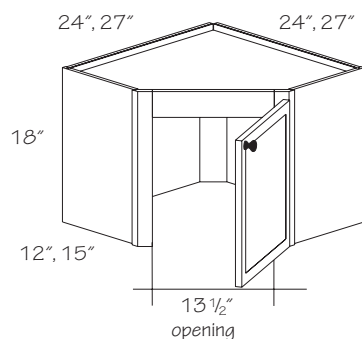


**DOS18 R or L**  
**DOS21 R or L**  
 ○ **DOS24 BUTT**  
 ○ (CW) option unavailable

- Specify R or L for single door hinging
- Unable to be trimmed
- **Note:** Square doors will be supplied when ordered in arched door styles

- PE
- APC
- APFC
- FPFB
- MI
- DE
- OE
- AD\_E
- ☆ CW
- RD
- ID
- CH
- TWR
- XS
- XSG
- XSB
- GD

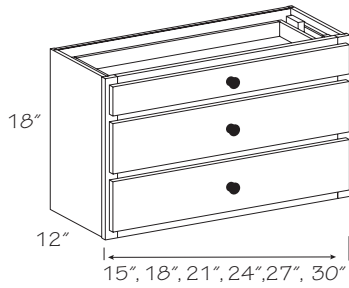
## Door Storage Angle



**DOSA2418 R or L**  
 ★: **DOSA2718 R or L**  
 ★ Furniture Plywood Ends standard; recommended Matching Interior option is MIFP  
 ※ Flush Finished Ends standard

- Specify R or L for single door hinging
- Access height is 15"
- Unable to be trimmed
- **Note:** Square doors will be supplied when ordered in arched door styles
- **Note:** Full overlay door styles use a 1/2" overlay hinge

- PE
- APC
- APFC
- ☆ FPFB
- MI
- DE
- OE
- AD\_E
- CW
- RD
- ID
- CH
- TWR
- XS
- XSG
- XSB
- GD



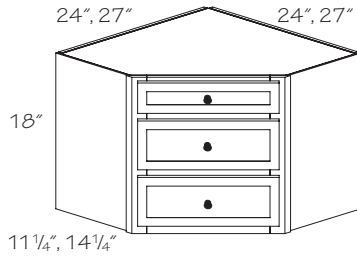
### Drawer Storage Cabinet

**DS15**  
**DS18**  
**DS21**  
**DS24**  
**DS27**  
**DS30**

- Three drawers with full extension side-mount runners
- Top drawer will be slab, including DRPD, except Ellery-Full, Ralden, Somersworth and Thornton-Full door styles which will be five-piece

- PE
- APC
- APFC
- FPFB
- MI
- DE
- OE
- AD\_E
- CW
- RD
- ID
- CH
- TWR
- XS
- XSG
- XSB
- GD

### Drawer Storage Angle



**DSA2418**  
**\* DSA2718**

☆ (FPFB) standard

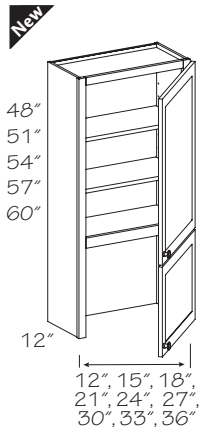
- Three drawers with full extension side-mount runners
- Top drawer will be slab, including DRPD, except Ellery-Full, Ralden, Somersworth and Thornton-Full door styles which will be five-piece



When including any under cabinet storage unit, consider using a countertop with a loose backsplash. This will prevent having to notch the cabinet.

- PE
- APC
- APFC
- ☆ FPFB
- MI
- DE
- OE
- AD\_E
- CW
- RD
- ID
- CH
- TWR
- XS
- XSG
- XSB
- GD

### Wall Counter Top Door Storage



48" High

- WCDS1248 R or L
- WCDS1548 R or L
- WCDS1848 R or L
- WCDS2148 R or L
- WCDS2448 R or L
- WCDS2448 BUTT
- WCDS2748 (Butt)
- WCDS3048 BUTT
- WCDS3348 BUTT
- WCDS3648 BUTT

51" High

- WCDS1251 R or L
- WCDS1551 R or L
- WCDS1851 R or L
- WCDS2151 R or L
- WCDS2451 R or L
- WCDS2451 BUTT
- WCDS2751 (Butt)
- WCDS3051 BUTT
- WCDS3351 BUTT
- WCDS3651 BUTT

54" High

- WCDS1254 R or L
- WCDS1554 R or L
- WCDS1854 R or L
- WCDS2154 R or L
- WCDS2454 R or L
- WCDS2454 BUTT
- WCDS2754 (Butt)
- WCDS3054 BUTT
- WCDS3354 BUTT
- WCDS3654 BUTT

- (CW) option unavailable
- (CH) option unavailable

Grey color coding indicates new product, size or code.

57" High

- WCDS1257 R or L
- WCDS1557 R or L
- WCDS1857 R or L
- WCDS2157 R or L
- WCDS2457 R or L
- WCDS2457 BUTT
- WCDS2757 (Butt)
- WCDS3057 BUTT
- WCDS3357 BUTT
- WCDS3657 BUTT

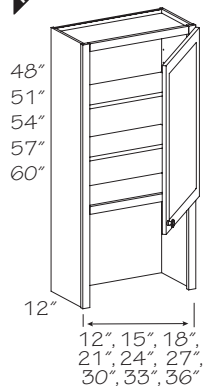
60" High

- WCDS1260 R or L
- WCDS1560 R or L
- WCDS1860 R or L
- WCDS2160 R or L
- WCDS2460 R or L
- WCDS2460 BUTT
- WCDS2760 (Butt)
- WCDS3060 BUTT
- WCDS3360 BUTT
- WCDS3660 BUTT

- Specify R or L for single door hinging
- Available in full overlay door styles only
- Two vertical compartments with fixed mid-rail and floor
- Bottom section does **not** have a bottom rail or floor
- Top shelves are adjustable
- Shelves shipped separately
- Bottom door is always square
- Unavailable with (MSW)
- ☆ Glass on top door only
- ☆ Max. (ID) is 24"
- ☆ (CH) modifications will be made in the upper section
- ☆ (DE), (AD\_E) and (OE) only available right or left, unavailable both sides

- PE
- APC
- APFC
- FPFB
- MI
- ☆ DE
- ☆ OE
- AD\_E
- ☆ CW
- RD
- ☆ ID
- ☆ CH
- TWR
- XS
- XSG
- XSB
- ☆ GD

New



### Wall Counter Top Open Storage

- 48" High**
- WCOS1248 R or L
  - WCOS1548 R or L
  - WCOS1848 R or L
  - WCOS2148 R or L
  - WCOS2448 R or L
  - WCOS2448 BUTT
  - WCOS2748 (Butt)
  - WCOS3048 BUTT
  - WCOS3348 BUTT
  - WCOS3648 BUTT

- 51" High**
- WCOS1251 R or L
  - WCOS1551 R or L
  - WCOS1851 R or L
  - WCOS2151 R or L
  - WCOS2451 R or L
  - WCOS2451 BUTT
  - WCOS2751 (Butt)
  - WCOS3051 BUTT
  - WCOS3351 BUTT
  - WCOS3651 BUTT

- 54" High**
- WCOS1254 R or L
  - WCOS1554 R or L
  - WCOS1854 R or L
  - WCOS2154 R or L
  - WCOS2454 R or L
  - WCOS2454 BUTT
  - WCOS2754 (Butt)
  - WCOS3054 BUTT
  - WCOS3354 BUTT
  - WCOS3654 BUTT

- 57" High**
- WCOS1257 R or L
  - WCOS1557 R or L
  - WCOS1857 R or L
  - WCOS2157 R or L
  - WCOS2457 R or L
  - WCOS2457 BUTT
  - WCOS2757 (Butt)
  - WCOS3057 BUTT
  - WCOS3357 BUTT
  - WCOS3657 BUTT

- 60" High**
- WCOS1260 R or L
  - WCOS1560 R or L
  - WCOS1860 R or L
  - WCOS2160 R or L
  - WCOS2460 R or L
  - WCOS2460 BUTT
  - WCOS2760 (Butt)
  - WCOS3060 BUTT
  - WCOS3360 BUTT
  - WCOS3660 BUTT

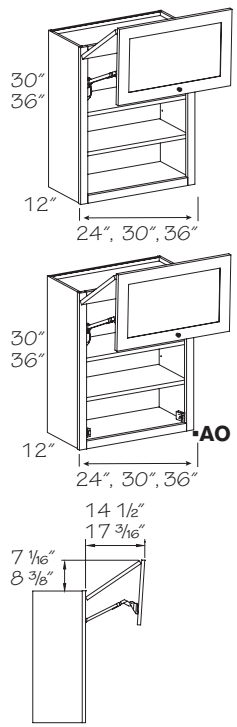
- (CW) option unavailable
- (CH) option unavailable

Grey color coding indicates new product, size or code.

- Specify R or L for single door hinging
- Two vertical compartments with fixed mid-rail and floor
- Top shelves are adjustable
- Bottom section does **not** have a bottom rail or floor
- Shelves shipped separately
- Unavailable with (MSW)
- ☆ Max. (ID) is 24"
- ☆ (CH) modifications will be made in the upper section
- ☆ (DE) and (AD\_E) only available right or left, unavailable both sides

- PE
- APC
- APFC
- FPFB
- ◆ MI
- ☆ DE
- OE
- ☆ AD\_E
- ☆ CW
- RD
- ☆ ID
- ☆ CH
- ☆ TWR
- XS
- XSG
- XSB
- GD

### Wall Lateral Bi-Fold Cabinet



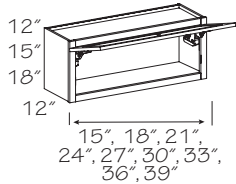
- Two shelves**
- 30" High**
- WLBFB2430
  - WLBFB3030
  - WLBFB3630
- Three shelves**
- 36" High**
- WLBFB2436
  - WLBFB3036
  - WLBFB3636

- With Auto-open Kit, Two shelves**
- 30" High**
- WLBFB2430 .AO
  - WLBFB3030 .AO
  - WLBFB3630 .AO
- With Auto-open Kit, Three shelves**
- 36" High**
- WLBFB2436 .AO
  - WLBFB3036 .AO
  - WLBFB3636 .AO

- Adjustable shelves
- Adjustable soft close lift mechanism standard
- With the Auto-open Kit, pressing lower corners of cabinet door triggers auto-open. Pressing a button on activator switch triggers auto-close. Doors can be operated manually if desired. Multiple units can also be synced to open and close simultaneously with the push of one button
- Auto-open Kit requires 110V power source at back of cabinet
- Breakaway hinge engages or separates, when an object is caught between the doors as they are closing
- Door-to-door hinge will show slightly when glass doors are applied
- Available in full overlay door styles only
- Allow 8 11/16" above the cabinet for proper door clearance
- Auto-open Kit feature offers programmable stop
- Permaset bumpers are unavailable on doors ordered with the Auto-open Kit
- ☆ Unavailable with Mullion glass doors (GD) option
- ☆ Unavailable with Camed glass door (GD) option
- ☆ Prep for Glass unavailable
- ☆ Unavailable with Crossroads, Modern Textured and Moire Glass Inserts
- ☆ Antiquity Glass Insert unavailable on 36" wide cabinet
- **Note:** Auto-open Kit requires field installation
- **Note:** Square doors will be supplied when ordered in arched door styles

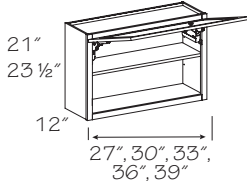
- PE
- APC
- APFC
- FPFB
- MI
- DE
- OE
- AD\_E
- CW
- RD
- ID
- CH
- TWR
- XS
- XSG
- XSB
- ☆ GD

Wall Top Hinge Cabinet 12" Deep



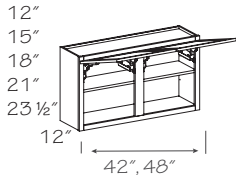
No shelf  
12" High  
**WTHG1512**  
**WTHG1812**  
**WTHG2112**  
**WTHG2412**  
**WTHG2712**  
**WTHG3012**  
**WTHG3312**  
**WTHG3612**

With Auto-open Kit,  
No shelf  
12" High  
**WTHG1512 .AO**  
**WTHG1812 .AO**  
**WTHG2112 .AO**  
**WTHG2412 .AO**  
**WTHG2712 .AO**  
**WTHG3012 .AO**  
**WTHG3312 .AO**  
**WTHG3612 .AO**



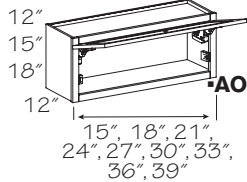
◆ **WTHG3912**  
◆ **WTHG4212**  
◆ **WTHG4812**

◆ **WTHG3912 .AO**  
◆ **WTHG4212 .AO**  
◆ **WTHG4812 .AO**



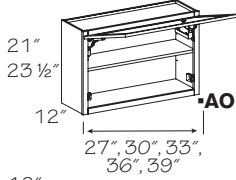
No shelf  
15" High  
**WTHG1515**  
**WTHG1815**  
**WTHG2115**  
**WTHG2415**  
**WTHG2715**  
**WTHG3015**  
**WTHG3315**  
**WTHG3615**

With Auto-open Kit,  
No shelf  
15" High  
**WTHG1515 .AO**  
**WTHG1815 .AO**  
**WTHG2115 .AO**  
**WTHG2415 .AO**  
**WTHG2715 .AO**  
**WTHG3015 .AO**  
**WTHG3315 .AO**  
**WTHG3615 .AO**



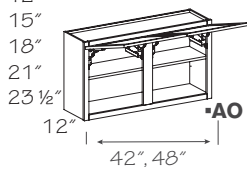
◆ **WTHG3915**  
◆ **WTHG4215**  
◆ **WTHG4815**

◆ **WTHG3915 .AO**  
◆ **WTHG4215 .AO**  
◆ **WTHG4815 .AO**



No shelf  
18" High  
**WTHG1518**  
**WTHG1818**  
**WTHG2118**  
**WTHG2418**  
**WTHG2718**  
**WTHG3018**  
**WTHG3318**  
**WTHG3618**

With Auto-open Kit,  
No shelf  
18" High  
**WTHG1518 .AO**  
**WTHG1818 .AO**  
**WTHG2118 .AO**  
**WTHG2418 .AO**  
**WTHG2718 .AO**  
**WTHG3018 .AO**  
**WTHG3318 .AO**  
**WTHG3618 .AO**



◆ **WTHG3918**  
◆ **WTHG4218**  
◆ **WTHG4818**  
One Shelf  
21" High  
**WTHG2721**  
**WTHG3021**  
**WTHG3321**  
**WTHG3621**

◆ **WTHG3918 .AO**  
◆ **WTHG4218 .AO**  
◆ **WTHG4818 .AO**  
With Auto-open Kit,  
One Shelf  
21" High  
**WTHG2721 .AO**  
**WTHG3021 .AO**  
**WTHG3321 .AO**  
**WTHG3621 .AO**

◆ **WTHG3921**  
◆ **WTHG4221**  
◆ **WTHG4821**  
One Shelf  
23 1/2" High  
**WTHG1524**  
**WTHG1824**  
**WTHG2124**  
**WTHG2424**  
**WTHG2724**  
**WTHG3024**  
**WTHG3324**  
**WTHG3624**

◆ **WTHG3921 .AO**  
◆ **WTHG4221 .AO**  
◆ **WTHG4821 .AO**  
With Auto-open Kit,  
One Shelf  
23 1/2" High  
**WTHG1524 .AO**  
**WTHG1824 .AO**  
**WTHG2124 .AO**  
**WTHG2424 .AO**  
**WTHG2724 .AO**  
**WTHG3024 .AO**  
**WTHG3324 .AO**  
**WTHG3624 .AO**

◆ Unavailable in (ID)

Grey color coding indicates new product, size or code.

- Adjustable shelves
- Additional support is required
- Adjustable soft close lift mechanism standard
- With the Auto-open Kit, pressing lower corners of cabinet door triggers auto-open. Pressing a button on activator switch triggers auto-close. Doors can be operated manually if desired. Multiple units can also be synced to open and close simultaneously with the push of one button
- Auto-open Kit requires 110V power source, preferably above cabinet
- Auto-open Kit feature offers programmable stop
- Permaset bumpers are unavailable on doors ordered with the Auto-open Kit
- 30–36" wide wall cabinets have wood veneer plywood shelves
- ☆ Antiquity Glass Insert unavailable on 36" wide cabinet
- ☆ Unavailable with Crossroads, Modern Textured and Moire Glass Inserts
- ☆ Prep for Glass unavailable
- ☆ Unavailable with Mullion glass doors (GD) option
- ☆ Unavailable with Camed glass door (GD) option
- Installation instructions supplied with Auto-open Kit
- ☆ (DE) and (AD\_E) only available right or left, unavailable both sides
- **Note:** Auto-open Kit requires field installation
- **Note:** Square doors will be supplied when ordered in arched door styles
- **Note:** Wall Top Hinge and Wall Refrigerator Top Hinge cabinets are unable to be installed directly against the ceiling

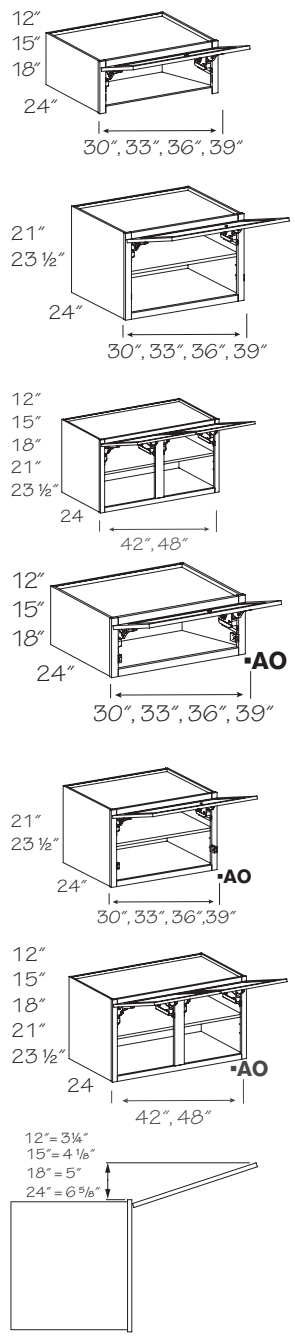


Tip: When mounting a 6" Spice Drawer or Organizer underneath a 23 1/2" cabinet next to a 30" high wall cabinet, the overall height will be 29 1/2". To correct this, you can place a piece of Stack Molding or a 1/2" filler between the 23 1/2" cabinet and the 6" cabinet

- PE
- APC
- APFC
- FPFB
- MI
- ☆ DE
- OE
- ☆ AD\_E
- CW
- RD
- ☆ ID
- CH
- TWR
- XS
- XSG
- XSB
- ☆ GD

- PE
- APC
- APFC
- FPFB
- MI
- ☆ DE
- OE
- ☆ AD\_E
- CW
- ☆ RD
- ID
- CH
- TWR
- XS
- XSG
- XSB
- ☆ GD

**Wall Refrigerator Top Hinge 24" Deep**



No shelf  
 12" High  
 + **WRTHG3012**  
 + **WRTHG3312**  
 + **WRTHG3612**  
 + **WRTHG3912**  
 + **WRTHG4212**  
 + **WRTHG4812**

No shelf  
 15" High  
 + **WRTHG3015**  
 + **WRTHG3315**  
 + **WRTHG3615**  
 + **WRTHG3915**  
 + **WRTHG4215**  
 + **WRTHG4815**

No shelf  
 18" High  
**WRTHG3018**  
**WRTHG3318**  
**WRTHG3618**  
**WRTHG3918**  
**WRTHG4218**  
**WRTHG4818**

One Shelf  
 21" High  
**WRTHG3021**  
**WRTHG3321**  
**WRTHG3621**  
**WRTHG3921**  
**WRTHG4221**  
**WRTHG4821**

One Shelf  
 23 1/2" High  
**WRTHG3024**  
**WRTHG3324**  
**WRTHG3624**  
**WRTHG3924**  
**WRTHG4224**  
**WRTHG4824**

With Auto-open Kit,  
 No shelf  
 12" High  
 + **WRTHG3012 .AO**  
 + **WRTHG3312 .AO**  
 + **WRTHG3612 .AO**  
 + **WRTHG3912 .AO**  
 + **WRTHG4212 .AO**  
 + **WRTHG4812 .AO**

With Auto-open Kit,  
 No shelf  
 15" High  
 + **WRTHG3015 .AO**  
 + **WRTHG3315 .AO**  
 + **WRTHG3615 .AO**  
 + **WRTHG3915 .AO**  
 + **WRTHG4215 .AO**  
 + **WRTHG4815 .AO**

With Auto-open Kit,  
 No shelf  
 18" High  
**WRTHG3018 .AO**  
**WRTHG3318 .AO**  
**WRTHG3618 .AO**  
**WRTHG3918 .AO**  
**WRTHG4218 .AO**  
**WRTHG4818 .AO**

With Auto-open Kit,  
 One Shelf  
 21" High  
**WRTHG3021 .AO**  
**WRTHG3321 .AO**  
**WRTHG3621 .AO**  
**WRTHG3921 .AO**  
**WRTHG4221 .AO**  
**WRTHG4821 .AO**

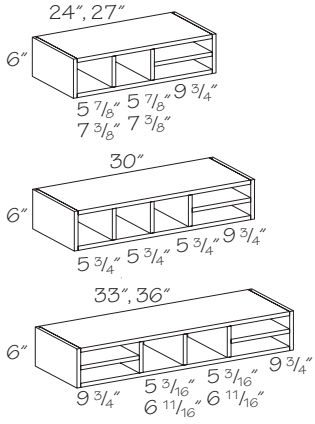
With Auto-open Kit,  
 One Shelf  
 23 1/2" High  
**WRTHG3024 .AO**  
**WRTHG3324 .AO**  
**WRTHG3624 .AO**  
**WRTHG3924 .AO**  
**WRTHG4224 .AO**  
**WRTHG4824 .AO**

+ (AD\_E) option unavailable

Grey color coding indicates new product, size or code.

- Adjustable shelves
- Additional support is required
- With the Auto-open Kit, pressing lower corners of cabinet door triggers auto-open. Pressing a button on activator switch triggers auto-close. Doors can be operated manually if desired. Multiple units can also be synced to open and close simultaneously with the push of one button
- Auto-open Kit requires 110V power source, preferably above cabinet
- Auto-open Kit feature offers programmable stop
- 30–36" wide wall cabinets have wood veneer plywood shelves
- Permaset bumpers are unavailable on doors ordered with the Auto-open Kit
- ☆ Antiquity Glass Insert unavailable on 36" wide cabinet
- ☆ Prep for Glass unavailable
- ☆ Unavailable with Crossroads, Modern Textured and Moire Glass Inserts
- ☆ Unavailable with Mullion glass doors (GD) option
- ☆ Unavailable with Camed glass door (GD) option
- ☆ Min. (RD) is 12"
- Installation instructions supplied with Auto-open Kit
- Max. (ID) for Wall Refrigerator cabinets is 27"
- ☆ (DE) and (AD\_E) only available right or left, unavailable both sides
- **Note:** Auto-open Kit requires field installation
- **Note:** Square doors will be supplied when ordered in arched door styles
- **Note:** Wall Top Hinge and Wall Refrigerator Top Hinge cabinets are unable to be installed directly against the ceiling

**Organizers**



- O24**
- O27**
- O30**
- O33**
- O36**

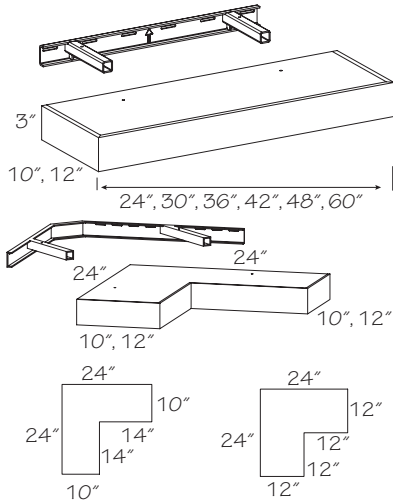
- 5/8" wood veneer construction; unavailable in plywood
- Crafted door styles will be supplied in plain sawn wood
- Quartersawn door styles are supplied plain sawn
- Painted hardwood supplied for EverCore®
- Vinyl edge banding applied to edges of cabinet
- Contrasting Back Options unavailable
- **Note:** This cabinet features "frameless" type construction



When using an Organizer Cabinet or Spice Drawer Cabinet, which have flush ends standard, under a wall cabinet at the end of a run, either attach Furniture Ends or order a 3/16" Wood Skin for the wall cabinet to flush the ends. (There will be a seam.) Also, consider ordering a furniture matching wall end panel if the height of the finished product allows it

PE
APC
APFC
FPEB
MI
DE
OE
AD_E
CW
RD
ID
CH
TWR
XS
XSG
XSB
GD

**Floating Shelves**



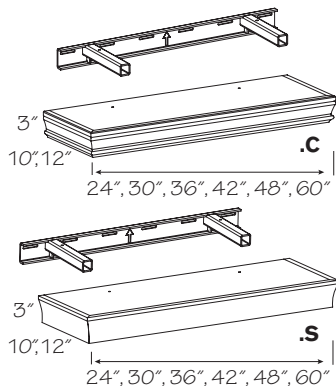
- 10" Deep  
**FLS24**  
**FLS30**  
**FLS36**  
**FLS42**  
**FLS48**  
**FLS60**  
 Corner  
**FLSC2410**

- 12" Deep  
**FLS2412**  
**FLS3012**  
**FLS3612**  
**FLS4212**  
**FLS4812**  
**FLS6012**  
 Corner  
**FLSC2412**

- 50 lbs. capacity
- Painted hardwood supplied for EverCore®
- Painted or Stained hardwood supplied for Wood-Grain Foil door styles
- Unavailable in High-Gloss Foil door styles
- Unavailable in Quartersawn or Rustic door styles
- Unable to be trimmed

PE
APC
APFC
FPEB
MI
DE
OE
AD_E
CW
RD
ID
CH
TWR
XS
XSG
XSB
GD

**Floating Shelf - Cove & Sterling**



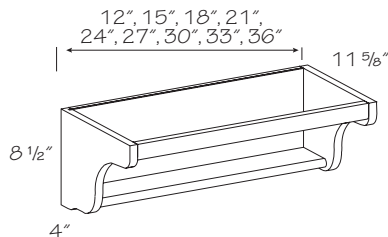
- Cove  
 10" Deep  
**FLS24 .C**  
**FLS30 .C**  
**FLS36 .C**  
**FLS42 .C**  
**FLS48 .C**  
**FLS60 .C**  
 Cove  
 12" Deep  
**FLS2412 .C**  
**FLS3012 .C**  
**FLS3612 .C**  
**FLS4212 .C**  
**FLS4812 .C**  
**FLS6012 .C**

- Sterling  
 10" Deep  
**FLS24 .S**  
**FLS30 .S**  
**FLS36 .S**  
**FLS42 .S**  
**FLS48 .S**  
**FLS60 .S**  
 Sterling  
 12" Deep  
**FLS2412 .S**  
**FLS3012 .S**  
**FLS3612 .S**  
**FLS4212 .S**  
**FLS4812 .S**  
**FLS6012 .S**

- 50 lbs. capacity
- Painted hardwood supplied for EverCore®
- Painted or Stained hardwood supplied for Wood-Grain Foil door styles
- Unavailable in High-Gloss Foil door styles
- Unavailable in Quartersawn or Rustic door styles
- Matching face molding sold separately - 8' pieces
- Overall depth and width is greater than the nominal dimension
- Molding is applied to the face and both ends
- Unable to be trimmed

PE
APC
APFC
FPEB
MI
DE
OE
AD_E
CW
RD
ID
CH
TWR
XS
XSG
XSB
GD

**Under Cabinet Shelf**

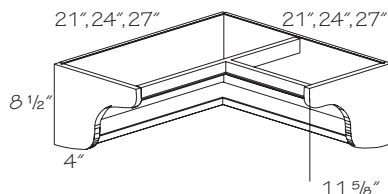


- UCS12**
- UCS15**
- UCS18**
- UCS21**
- UCS24**
- UCS27**
- UCS30**
- UCS33**
- UCS36**

- 3 7/8" shelf depth
- Solid wood/wood veneer construction
- Quartersawn door styles are supplied plain sawn
- Painted hardwood supplied for EverCore®

PE
APC
APFC
FPEB
MI
DE
OE
AD_E
● CW
RD
ID
CH
TWR
XS
XSG
XSB
GD

**Under Cabinet Shelf Corner**

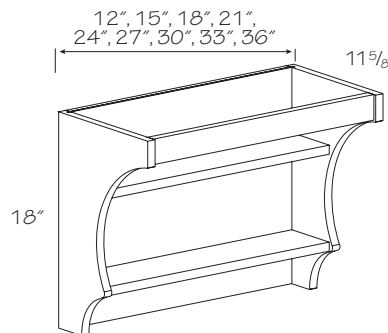


- UCSC2121**
- UCSC2424**
- UCSC2727**

- 3 7/8" shelf depth
- Solid wood/wood veneer construction
- For use with Wall Easy Reach Cabinets only
- Quartersawn door styles are supplied plain sawn
- Painted hardwood supplied for EverCore®
- Painted or Stained hardwood supplied for Wood-Grain Foil door styles

PE
APC
APFC
FPEB
MI
DE
OE
AD_E
CW
RD
ID
CH
TWR
XS
XSG
XSB
GD

**Under Cabinet Shelf 18" H**

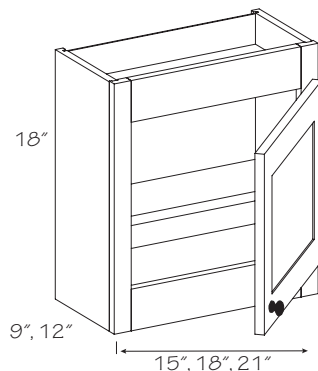


- UCS1218**
- UCS1518**
- UCS1818**
- UCS2118**
- UCS2418**
- UCS2718**
- UCS3018**
- UCS3318**
- UCS3618**

- 4 7/8" shelf depth
- Solid wood/wood veneer construction
- Painted hardwood supplied for EverCore® and Thermofoil
- Quartersawn door styles are supplied plain sawn

PE
APC
APFC
FPEB
MI
DE
OE
AD_E
● CW
RD
ID
CH
TWR
XS
XSG
XSB
GD

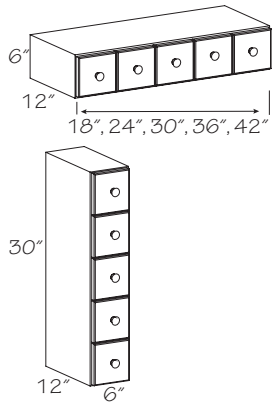
**Under Cabinet Door Storage**



- UCDS150918 R or L**
- UCDS180918 R or L**
- UCDS210918 R or L**
- UCDS151218 R or L**
- UCDS181218 R or L**
- UCDS211218 R or L**

- Specify R or L for single door hinging
- One adjustable shelf
- Top and bottom rails are 3" high allowing for molding application
- Thermofoils are painted hardwood
- ☆ (APFC) standard when (APC) option is selected

PE
● APC
☆ APFC
◇ FPEB
● MI
DE
OE
AD_E
CW
● RD
ID
CH
TWR
XS
XSG
● XSB
● GD



## Spice Drawer Cabinet

<i>Horizontal</i>	
<b>SDC18</b>	3 Drawers
<b>SDC24</b>	4 Drawers
<b>SDC30</b>	5 Drawers
<b>SDC36</b>	6 Drawers
<b>SDC42</b>	7 Drawers
<i>Vertical</i>	
<b>VSDC6</b>	5 Drawers

- Horizontal Cabinets: 5/8" wood veneer construction, **not** available in Plywood or All Plywood Construction
- Vertical Cabinets: 1/2" Plywood ends (PE) standard, **not** available in All Plywood Construction
- Drawer boxes have 1/2" sides and 3/4" floor, front and back
- Interior drawer depth 10 1/16"
- Solid wood 3/4" thick slab drawer fronts with an eased edge. Outside profile will be the same regardless of the selected door style
- Drawer front is adjustable
- All drawer boxes are Natural Birch wood veneer plywood
- Drawer box slides along wood guide. Wood guide is used to keep drawers from moving left to right
- Vinyl edge banding applied to edges of cabinet
- Matching wood knobs included; field install
- Replacement knobs available-use the following order codes: 161 for Maple; 171 for Cherry; 181 for Oak and Hickory; 191 for Alder; 634 for Thermofoils
- Unavailable in High-Gloss Foil or Wood-Grain Foil door styles
- Quartersawn door styles are supplied plain sawn
- **Note:** This cabinet features "frameless" type construction



When using an Organizer Cabinet or Spice Drawer Cabinet, which have flush ends standard, under a wall cabinet at the end of a run, either attach Furniture Ends or order a 3/16" Wood Skin for the wall cabinet to flush the ends. (There will be a seam.) Also, consider ordering a furniture matching wall end panel if the height of the finished product allows it

☆	PE
	APC
	APFC
	FPEB
❖	MI
	DE
	OE
	AD_E
	CW
	RD
	ID
	CH
	TWR
	XS
	XSG
	XSB
	GD



# Wall Hoods

## Construction Options and Modifications

<b>WHCC</b>	<b>36</b>	<b>30</b>	<b>24</b>
code	width	height	depth

- ❖ Included as standard
- Available with an upcharge
- ☆ Available with exceptions
- (Blank) Unavailable

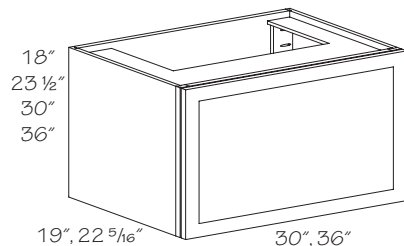
- PE Plywood Ends
- APC All Plywood Construction
- APFC All Plywood Furniture Construction
- FPEB Furniture Plywood Ends
- MI Matching Interior
- DE Integrated Decorative End
- CW Change Width
- RD Reduced Depth
- ID Increased Depth
- CH Change Height
- XS Extended Stile
- XSG Integrated Extended Stile
- GD Glass Doors

**Caution:** Wall Hoods **must** be installed between two (2) cabinets, a cabinet and a wall or anchored to the ceiling or wall. Failure to provide additional support could result in collapse of the cabinet, serious personal injury, or property damage. Damage relating to failure to provide additional support is **not** covered by the warranty.

Consult your local building code for rules and regulations that may apply to the installation of this product, such as required clearances between the Wall Hood and cooking surface.

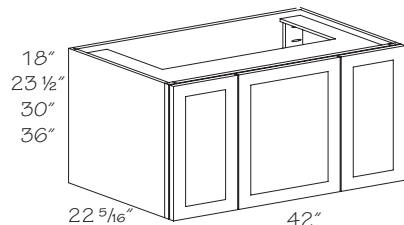
Material dimensions listed may vary slightly from actual dimensions of the product. Specifications subject to change without notice.

### Wall Hood Box



- 18" High  
**WHB301818**  
**WHB361818**  
**WHB362118**  
**WHB422118**
- 23 1/2" High  
**WHB301824**  
**WHB361824**  
**WHB362124**  
**WHB422124**

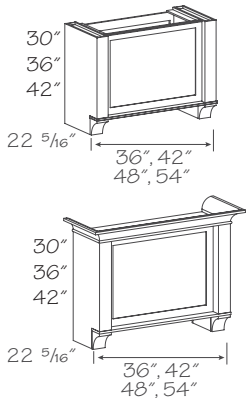
- 30" High  
**WHB301830**  
**WHB361830**  
**WHB362130**  
**WHB422130**
- 36" High  
**WHB301836**  
**WHB361836**  
**WHB362136**  
**WHB422136**



- Solid wood/wood veneer construction
- Thermofolds are painted hardwood
- All door styles will default to full overlay
- Doors are attached by false front clips; **not** operational
- Designed to align with top of adjacent cabinets
- 30" and 36" wide hoods have a single door panel
- 42" wide hoods have three door panels
- 19" deep (18" nominal) requires Wall Hood Component Package "J"
- 22 5/16" deep (21" nominal) requires Wall Hood Component Package "G" or "P"
- The 18" high Wall Hood Box will require a soffit or a molding box application to house the duct work for the blower unit
- Unavailable in Northwood or Stratford door styles
- Rustic doors applied with ordered in Rustic door styles
- **Note:** Square doors will be supplied when ordered in arched door styles
- **Note:** Cabinetry and appliances located below these Wall Hoods should be pulled to a min. of 27" deep and a max. of 30" deep for improved function

PE
APC
❖ APFC
FPEB
MI
DE
CW
RD
ID
CH
XS
XSG
GD

### Wall Hood Box w/Columns



•XLCVM

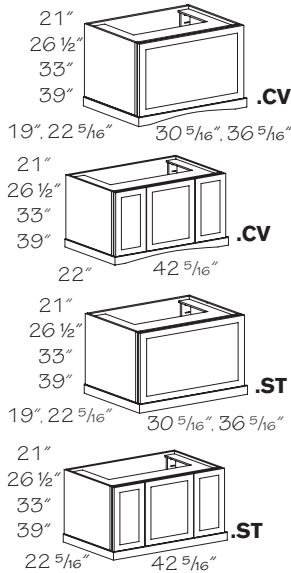
*Without Top Plate*  
**WHBC362230**  
**WHBC422230**  
**WHBC482230**  
**WHBC542230**  
**WHBC362236**  
**WHBC422236**  
**WHBC482236**  
**WHBC542236**  
**WHBC362242**  
**WHBC422242**  
**WHBC482242**  
**WHBC542242**

*With Top Plate*  
**WHBC362230 .XLCVM**  
**WHBC422230 .XLCVM**  
**WHBC482230 .XLCVM**  
**WHBC542230 .XLCVM**  
**WHBC362236 .XLCVM**  
**WHBC422236 .XLCVM**  
**WHBC482236 .XLCVM**  
**WHBC542236 .XLCVM**  
**WHBC362242 .XLCVM**  
**WHBC422242 .XLCVM**  
**WHBC482242 .XLCVM**  
**WHBC542242 .XLCVM**

- Unavailable in Evercore®, Hickory, mitered quartersawn, rustic, slab, and all foil door styles
- Solid wood/wood veneer construction
- Front panel designed to coordinate with the selected door style
- 36" wide cabinet requires Wall Hood Component Package "T"
- 42", 48" and 54" cabinets require Wall Hood Component Package "R" or "S"
- Front panel is removable to facilitate duct installation and wiring
- Top molding on Wall Hood Box w/Columns w/Extra Large Cove Molding matches Extra Large Cove Molding
- Molding top plate of Wall Hood Box w/Columns w/Extra Large Cove Top Plate adds 6 3/4" to the width, 3 3/8" to the depth and 4 1/2" to the height
- **Note:** Cabinetry and appliances located below these Wall Hoods should be pulled to a min. of 27" deep and a max. of 30" deep for improved function

PE
❖ APC
APFC
FPEB
MI
DE
CW
RD
ID
CH
XS
XSG
GD

### Wall Hood Box Valance



*Cove Valance*  
 21" High  
**WHB301821 .CV**  
**WHB361821 .CV**  
**WHB362121 .CV**  
**WHB422121 .CV**

*Cove Valance*  
 26 1/2" High  
**WHB301827 .CV**  
**WHB361827 .CV**  
**WHB362127 .CV**  
**WHB422127 .CV**

*Cove Valance*  
 33" High  
**WHB301833 .CV**  
**WHB361833 .CV**  
**WHB362133 .CV**  
**WHB422133 .CV**

*Cove Valance*  
 39" High  
**WHB301839 .CV**  
**WHB361839 .CV**  
**WHB362139 .CV**  
**WHB422139 .CV**

*Straight Valance*  
 21" High  
**WHB301821 .ST**  
**WHB361821 .ST**  
**WHB362121 .ST**  
**WHB422121 .ST**

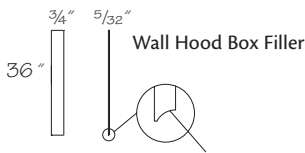
*Straight Valance*  
 26 1/2" High  
**WHB301827 .ST**  
**WHB361827 .ST**  
**WHB362127 .ST**  
**WHB422127 .ST**

*Straight Valance*  
 33" High  
**WHB301833 .ST**  
**WHB361833 .ST**  
**WHB362133 .ST**  
**WHB422133 .ST**

*Straight Valance*  
 39" High  
**WHB301839 .ST**  
**WHB361839 .ST**  
**WHB362139 .ST**  
**WHB422139 .ST**

- Solid wood/wood veneer construction
- Thermofolios are painted hardwood
- All door styles will default to full overlay
- Doors are attached by false front clips; **not** operational
- Designed to align with top of adjacent cabinets
- Valance adds 3" to overall height and 5/32" width to both sides
- Valances will be supplied in plain-sawn material for Quartersawn door styles
- Includes (2) Wall Hood Box Fillers; shipped separately
- 19" deep (18" nominal) requires Wall Hood Component Package "J"
- 22 5/16" deep (21" nominal) requires Wall Hood Component Package "C" or "P"
- Filler strips are used when butting adjacent cabinets against the Wall Hood Box. Use fillers in this application to avoid gaps between cabinet boxes
- Unavailable in Northwood or Stratford door styles
- Rustic doors applied with ordered in Rustic door styles
- **Note:** Square doors will be supplied when ordered in arched door styles
- **Note:** Cabinetry and appliances located below these Wall Hoods should be pulled to a min. of 27" deep and a max. of 30" deep for improved function

PE
APC
❖ APFC
FPEB
MI
DE
CW
RD
ID
CH
XS
XSG
GD

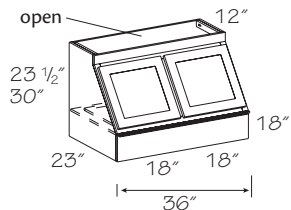


Radius to match top of valance

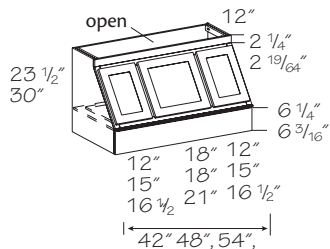


Please use the Wall Hood Box Filler when installing the hood box between two wall cabinets

Wall Hood Matching Straight Valance



23 1/2" High  
**WHMSV3624**  
**WHMSV4224**  
**WHMSV4824**  
**WHMSV5424**  
 30" High  
**WHMSV3630**  
**WHMSV4230**  
**WHMSV4830**  
**WHMSV5430**



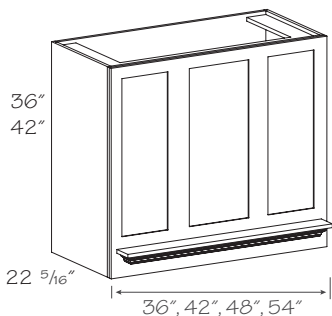
- Solid wood/wood veneer construction
- 23 1/2" high units are designed to align with 90" cabinets
- 30" high hoods are designed to align with 96" high cabinets
- Will accept optional onlays; order separately
- Requires Wall Hood Component Package "G"
- Doors open to facilitate duct installation and wiring
- Thermofolds are painted hardwood
- Quartersawn door styles are supplied plain sawn
- **Note:** Cabinetry and appliances located below these Wall Hoods should be pulled to a min. of 27" deep and a max. of 30" deep for improved function

PE
APC
❖ APFC
FPEB
MI
DE
CW
RD
ID
CH
XS
XSG
GD

Opening Sizes

Cabinet	Top Width	Top Depth	Bottom Width	Bottom Depth	Floor Opening Width	Floor Opening Depth
WHMSV36	33 1/8"	10 9/16"	34 5/8"	21 9/16"	29 1/8"	17"
WHMSV42	39 1/8"	10 9/16"	40 5/8"	21 9/16"	29 1/8"	17"
WHMSV48	45 1/8"	10 9/16"	46 5/8"	21 9/16"	29 1/8"	17"
WHMSV54	51 1/8"	10 9/16"	52 5/8"	21 9/16"	29 1/8"	17"

Wall Hood Cabinet Run - Shelf w/Classic Crown Molding

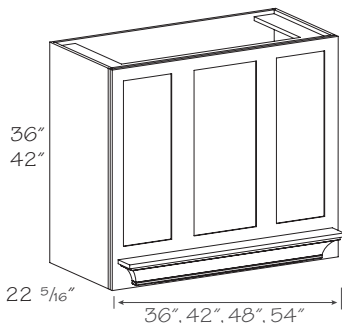


30" High  
**WHCR362230 .CCM**  
**WHCR422230 .CCM**  
**WHCR482230 .CCM**  
**WHCR542230 .CCM**  
 36" High  
**WHCR362236 .CCM**  
**WHCR422236 .CCM**  
**WHCR482236 .CCM**  
**WHCR542236 .CCM**  
 42" High  
**WHCR362242 .CCM**  
**WHCR422242 .CCM**  
**WHCR482242 .CCM**  
**WHCR542242 .CCM**

- Unavailable in Evercore®, Hickory, mitered quartersawn, rustic, slab, and all foil door styles
- Solid wood/wood veneer construction
- Front panel designed to coordinate with the selected door style
- Requires Wall Hood Component Package "G" or "P"
- Front panel is removable to facilitate duct installation and wiring
- Shelf molding matches Classic Crown Molding
- 36" wide units will have a single panel
- Weight capacity of 10 lbs.
- Square design will be supplied when ordered in Roman door styles
- **Note:** Cabinetry and appliances located below these Wall Hoods should be pulled to a min. of 27" deep and a max. of 30" deep for improved function

PE
APC
❖ APFC
FPEB
MI
DE
CW
RD
ID
CH
XS
XSG
GD

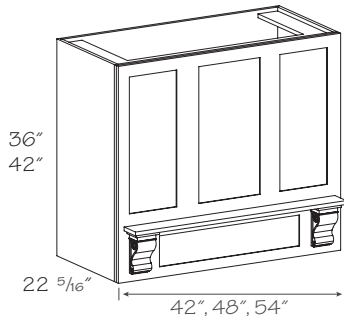
Wall Hood Cabinet Run - Shelf w/Extra Large Cove Molding



30" High  
**WHCR362230 .XLCVM**  
**WHCR422230 .XLCVM**  
**WHCR482230 .XLCVM**  
**WHCR542230 .XLCVM**  
 36" High  
**WHCR362236 .XLCVM**  
**WHCR422236 .XLCVM**  
**WHCR482236 .XLCVM**  
**WHCR542236 .XLCVM**  
 42" High  
**WHCR362242 .XLCVM**  
**WHCR422242 .XLCVM**  
**WHCR482242 .XLCVM**  
**WHCR542242 .XLCVM**

- Unavailable in Evercore®, Hickory, mitered quartersawn, rustic, slab, and all foil door styles
- Solid wood/wood veneer construction
- Front panel designed to coordinate with the selected door style
- Requires Wall Hood Component Package "C" or "P"
- Front panel is removable to facilitate duct installation and wiring
- Shelf molding matches Extra Large Cove Molding
- 36" wide units will have a single panel
- Weight capacity of 10 lbs.
- Square design will be supplied when ordered in Roman door styles
- **Note:** Cabinetry and appliances located below these Wall Hoods should be pulled to a min. of 27" deep and a max. of 30" deep for improved function

PE
APC
❖ APFC
FPEB
MI
DE
CW
RD
ID
CH
XS
XSG
GD



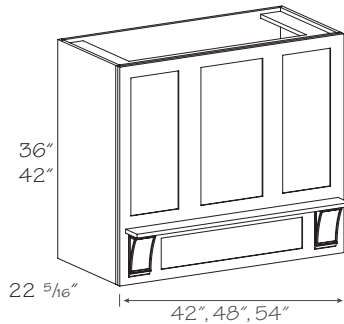
### Wall Hood Cabinet Run - Rosette Corbel

36" High  
**WHCR422236 .RC**  
**WHCR482236 .RC**  
**WHCR542236 .RC**

42" High  
**WHCR422242 .RC**  
**WHCR482242 .RC**  
**WHCR542242 .RC**

- Unavailable in Evercore®, Hickory, mitered quartersawn, rustic, slab, and all foil door styles
- Solid wood/wood veneer construction
- Front panel designed to coordinate with the selected door style
- Requires Wall Hood Component Package "C" or "P"
- Front panel is removable to facilitate duct installation and wiring
- Rosette Corbel design also sold separately
- Weight capacity of 10 lbs.
- **Note:** Cabinetry and appliances located below these Wall Hoods should be pulled to a min. of 27" deep and a max. of 30" deep for improved function
- Square design will be supplied when ordered in Roman door styles

PE
APC
❖ APFC
FPEB
MI
DE
CW
RD
ID
CH
XS
XSG
GD



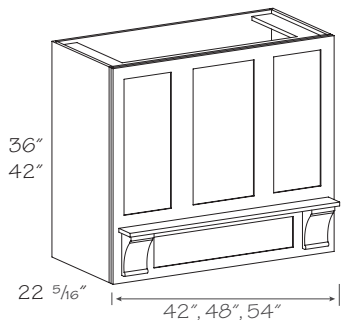
### Wall Hood Cabinet Run - Sterling Corbel

36" High  
**WHCR422236 .SC**  
**WHCR482236 .SC**  
**WHCR542236 .SC**

42" High  
**WHCR422242 .SC**  
**WHCR482242 .SC**  
**WHCR542242 .SC**

- Unavailable in Evercore®, Hickory, mitered quartersawn, rustic, slab, and all foil door styles
- Solid wood/wood veneer construction
- Front panel designed to coordinate with the selected door style
- Requires Wall Hood Component Package "C" or "P"
- Front panel is removable to facilitate duct installation and wiring
- Sterling Corbel design also sold separately
- Weight capacity of 10 lbs.
- Square design will be supplied when ordered in Roman door styles
- **Note:** Cabinetry and appliances located below these Wall Hoods should be pulled to a min. of 27" deep and a max. of 30" deep for improved function

PE
APC
❖ APFC
FPEB
MI
DE
CW
RD
ID
CH
XS
XSG
GD



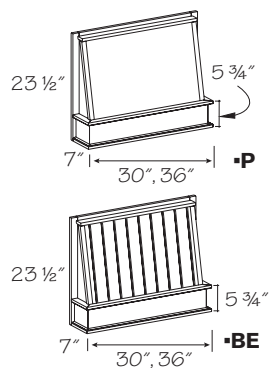
### Wall Hood Cabinet Run - Transitional Corbel

36" High  
**WHCR422236 .TRC**  
**WHCR482236 .TRC**  
**WHCR542236 .TRC**

42" High  
**WHCR422242 .TRC**  
**WHCR482242 .TRC**  
**WHCR542242 .TRC**

- Unavailable in Evercore®, Hickory, mitered quartersawn, rustic, slab, and all foil door styles
- Solid wood/wood veneer construction
- Front panel designed to coordinate with the selected door style
- Requires Wall Hood Component Package "C" or "P"
- Front panel is removable to facilitate duct installation and wiring
- Transitional Corbel design also sold separately
- Weight capacity of 10 lbs.
- Square design will be supplied when ordered in Roman door styles
- **Note:** Cabinetry and appliances located below these Wall Hoods should be pulled to a min. of 27" deep and a max. of 30" deep for improved function

PE
APC
❖ APFC
FPEB
MI
DE
CW
RD
ID
CH
XS
XSG
GD

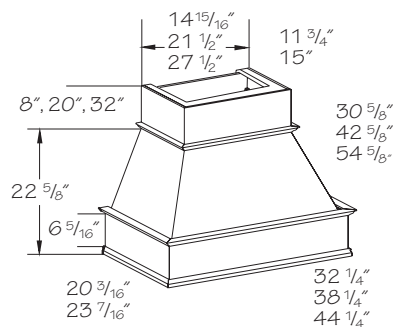


### Wall Hood Classic

CRHF3024 .BE  
 CRHF3624 .BE  
 CRHF3024 .P  
 CRHF3624 .P

- Solid wood/wood veneer construction
- Metal liner required
- Requires Wall Hood Component Package "B" or "E"
- Quartersawn door styles are supplied plain sawn
- Unavailable in Rustic Alder door styles
- Rustic material is **not** supplied when ordered in applicable rustic door styles
- Unavailable in High-Gloss Foil or Wood-Grain Foil door styles
- Painted hardwood supplied for EverCore®

PE
● APC
APFC
FPEB
MI
DE
CW
RD
ID
CH
XS
XSG
GD



### Wall Hood Classic Chimney

30 5/8" High  
 WHCC301930 .P  
 WHCC361930 .P  
 WHCC362430 .P  
 WHCC422430 .P

42 5/8" High  
 WHCC301942 .P  
 WHCC361942 .P  
 WHCC362442 .P  
 WHCC422442 .P

54 5/8" High  
 WHCC301954 .P  
 WHCC361954 .P  
 WHCC362454 .P  
 WHCC422454 .P

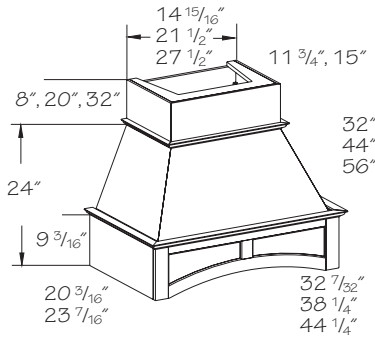
- Solid wood/wood veneer construction
- A 3" space is recommended on the right and left side of this unit before beginning the adjacent cabinet runs
- 30 5/8" high hoods are designed for use with 8 foot ceilings
- 42 5/8" high hoods are designed for use with 9 ft. ceilings
- 54 5/8" high hoods are designed for use with 10 ft. ceilings
- Lower molding matches Beaded Panel Molding profile, other molding matches Soffit Crown Molding profile
- Chimney section shipped separately
- Will accept optional onlays; order separately
- Unable to be used with a soffit
- Painted hardwood supplied for EverCore® and Thermofoil
- Painted or Stained hardwood supplied for Wood-Grain Foil door styles
- Quartersawn door styles are supplied plain sawn
- Rustic material is **not** supplied when ordered in applicable rustic door styles
- 19" deep requires Wall Hood Component Package "J"
- 24" deep requires Wall Hood Component Package "G" or "P"
- **Note:** Cabinetry and appliances located below these Wall Hoods should be pulled to a min. of 27" deep and a max. of 30" deep for improved function

PE
❖ APC
APFC
FPEB
MI
DE
CW
RD
ID
CH
XS
XSG
GD

Opening Sizes				
Cabinet	Top Width	Top Depth	Bottom Width	Bottom Depth
WHCC30	8"	7 9/16"	28 1/2"	18 5/16"
WHCC36	14 9/16"	10 3/4"	34 1/2"	21 9/16"
WHCC42	20 1/2"	10 3/4"	40 1/2"	21 9/16"



A chimney style hood is selected when working with open soffits or want an unfitted look; a design that looks great with your door style, but matching or including the door style is not required



Wall Hood Classic Chimney Flat Panel Valance

- 32" High  
**WHCCFPV301932 .P**  
**WHCCFPV361932 .P**  
**WHCCFPV362432 .P**  
**WHCCFPV422432 .P**
- 44" High  
**WHCCFPV301944 .P**  
**WHCCFPV361944 .P**  
**WHCCFPV362444 .P**  
**WHCCFPV422444 .P**
- 56" High  
**WHCCFPV301956 .P**  
**WHCCFPV361956 .P**  
**WHCCFPV362456 .P**  
**WHCCFPV422456 .P**

- Solid wood/wood veneer construction
- A 3" space is recommended on the right and left side of this unit before beginning the adjacent cabinet runs
- 32" high hoods are designed for use with 8 foot ceilings
- 44" high hoods are designed for use with 9 ft. ceilings
- 56" high hoods are designed for use with 10 ft. ceilings
- Decorative molding matches Soffit Crown Molding profile
- Chimney section shipped separately
- Quartersawn door styles are supplied plain sawn
- Unable to be used with a soffit
- Painted hardwood supplied for EverCore® and Thermofoil
- Unavailable in High-Gloss Foil or Wood-Grain Foil door styles
- Rustic material is **not** supplied when ordered in applicable rustic door styles
- 19" deep requires Wall Hood Component Package "J"
- 24" deep requires Wall Hood Component Package "G" or "P"
- **Note:** Cabinetry and appliances located below these Wall Hoods should be pulled to a min. of 27" deep and a max. of 30" deep for improved function

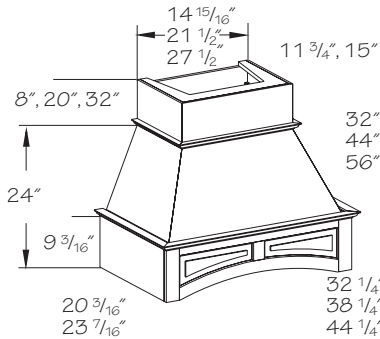
PE
❖ APC
APFC
FPEB
MI
DE
CW
RD
ID
CH
XS
XSG
GD

Opening Sizes

Cabinet	Top Width	Top Depth	Bottom Width	Bottom Depth
WHCCFPB30	8"	7 9/16"	28 5/8"	18 5/16"
WHCCFPB36	14 9/16"	10 3/4"	34 5/8"	21 9/16"
WHCCFPB42	20 1/2"	10 3/4"	40 5/8"	21 9/16"



A Wall Hood Classic Chimney Flat Panel Valance coordinates best with flat panel door styles. It may not match the door exactly, but will blend into the design and enhance the appearance of the entire room



Wall Hood Classic Chimney Raised Panel Valance

- 32" High  
**WHCCRPV301932 .P**  
**WHCCRPV361932 .P**  
**WHCCRPV362432 .P**  
**WHCCRPV422432 .P**
- 44" High  
**WHCCRPV301944 .P**  
**WHCCRPV361944 .P**  
**WHCCRPV362444 .P**  
**WHCCRPV422444 .P**
- 56" High  
**WHCCRPV301956 .P**  
**WHCCRPV361956 .P**  
**WHCCRPV362456 .P**  
**WHCCRPV422456 .P**

- Solid wood/wood veneer construction
- A 3" space is recommended on the right and left side of this unit before beginning the adjacent cabinet runs
- Decorative molding matches Soffit Crown Molding profile
- Chimney section shipped separately
- Unable to be used with a soffit
- Painted hardwood supplied for EverCore® and Thermofoil
- Quartersawn door styles are supplied plain sawn
- Unavailable in High-Gloss Foil or Wood-Grain Foil door styles
- Rustic material is **not** supplied when ordered in applicable rustic door styles
- 19" deep requires Wall Hood Component Package "J"
- 24" deep requires Wall Hood Component Package "G" or "P"
- **Note:** Cabinetry and appliances located below these Wall Hoods should be pulled to a min. of 27" deep and a max. of 30" deep for improved function

PE
❖ APC
APFC
FPEB
MI
DE
CW
RD
ID
CH
XS
XSG
GD

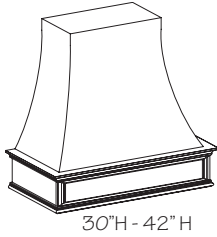
Opening Sizes

Cabinet	Top Width	Top Depth	Bottom Width	Bottom Depth
WHCCRPV30	8"	7 9/16"	28 5/8"	18 5/16"
WHCCRPV36	14 9/16"	10 3/4"	34 5/8"	21 9/16"
WHCCRPV42	20 1/2"	10 3/4"	40 5/8"	21 9/16"



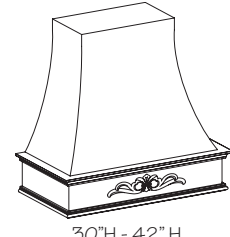
The Wall Hood Classic Chimney Raised Panel Valance includes a representative raised panel profile that blends with most raised panel door styles. It may not match the chosen door style exactly. Consider designing in a valance on the adjacent wall of the cooking area to coordinate with this style hood.

## Wall Hood Cove Application

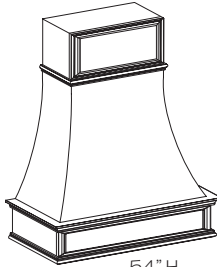


30\"/>

- Make the cooking area a dramatic focal point by adding a drawer front, appliance panel, molding or onlay to the cove hood to create architectural interest
- Decorate the front apron of the hood with a drawer front to add architectural interest, which can be ordered through the Custom Appliance Panel Program
- Customize the 12\"/>

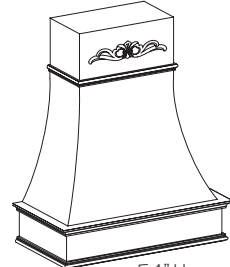


30\"/>



54\"/>

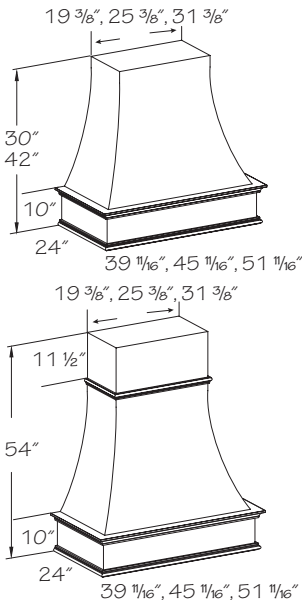
Drawer Front Panels



54\"/>

Onlays

## Wall Hood Cove



30\"/>

For 8 ft. ceilings

**WHCV362430**

**WHCV422430**

**WHCV482430**

42\"/>

For 9 ft. ceilings

**WHCV362442**

**WHCV422442**

**WHCV482442**

54\"/>

for 10 ft. ceilings

※ **WHCV362454**

※ **WHCV422454**

※ **WHCV482454**

※ 54\"/>

- Small Cove Casing used with top component
- Available in Cherry, EverCore®, Thermofoil, Maple and White Wood-Grain Foil door styles only
- Painted hardwood supplied for EverCore®
- Painted hardwood supplied for Wood-Grain Foil door styles
- Solid wood/wood veneer construction
- Requires Wall Hood Component Package "G" or "P"
- A 3" space is recommended on the right and left side of this unit before beginning the adjacent cabinet runs
- Decorative molding on top matches Small Cove Molding profile; bottom molding matches Cove Light Rail profile
- Chimney section shipped separately
- **Note:** Cabinetry and appliances located below these Wall Hoods should be pulled to a min. of 27" deep and a max. of 30" deep for improved function
- Recirculating component packages are unavailable
- Unable to be used with a soffit

PE
❖ APC
APFC
FPEB
MI
DE
CW
RD
ID
CH
XS
XSG
GD



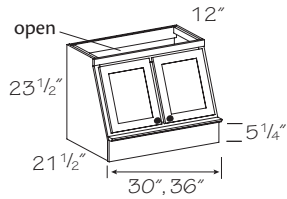
Order a decorative drawer front from our Custom Appliance panel program to create a customized insert that matches your door profile for the front apron of your hood. You may also use a drawer front to create a matching custom look on the 12" cap used to create the 54" units.

### Opening Sizes

Cabinet	Top Width	Top Depth	Bottom Width	Bottom Depth
<b>WHCV36</b>	12 13/16"	10 3/4"	34 1/2"	21 5/8"
<b>WHCV42</b>	18 13/16"	10 3/4"	40 1/2"	21 5/8"
<b>WHCV48</b>	24 13/16"	10 3/4"	46 1/2"	21 5/8"

### Surface Area Dimensions for Decorative Onlay Applications

Cabinet	Front Width	Front Depth	Side Width	Side Height
<b>WHCV36</b>	12 13/16"	10 3/4"	34 1/2"	21 5/8"
<b>WHCV42</b>	18 13/16"	10 3/4"	40 1/2"	21 5/8"
<b>WHCV48</b>	24 13/16"	10 3/4"	46 1/2"	21 5/8"



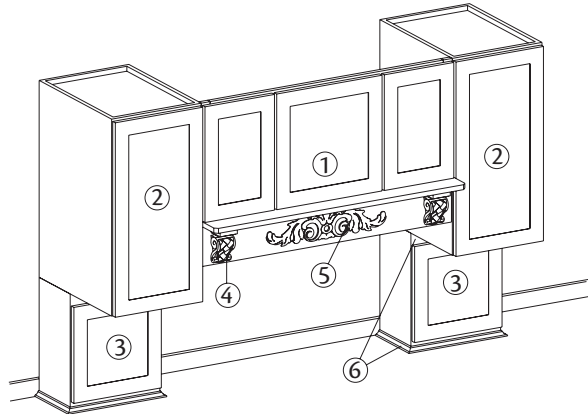
## Wall Hood Matching

RH3024 .OG  
RH3624 .OG

- Solid wood/wood veneer construction
- Metal liner required
- Doors open to facilitate duct installation and wiring
- Requires Wall Hood Component Package "A" or "D"
- Unavailable in Rustic Alder door styles
- Rustic doors applied when ordered in applicable Rustic door styles
- Unavailable in High-Gloss Foil or Wood-Grain Foil door styles
- Quartersawn door styles are supplied plain sawn
- Painted hardwood supplied for EverCore®

PE
● APC
APFC
FPEB
MI
DE
CW
RD
ID
CH
XS
XSG
GD

## Wall Hood Mantle Matching Application

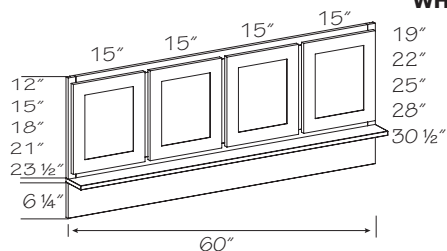
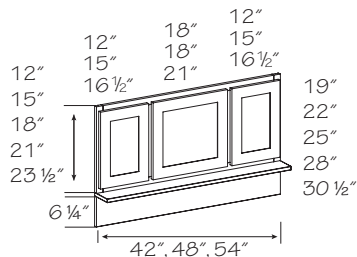
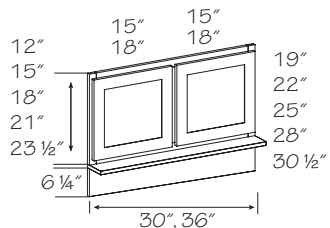


1. Wall Hood Mantle Matching (WHMM)
2. Wall Hood Mantle Cabinet (WHMC)
3. Under Cabinet Door Storage (UCDS)
4. Corbels
5. Onlay
6. 3" rails allow for molding application at top or bottom of Under Cabinet Door Storage

- Gain a "Mantle" style appearance in your kitchen design while maximizing your storage
- Personalize the design by incorporating molding and companion onlays to enhance the cooking focal point of the kitchen
- Wall Hood Mantle Cabinets should be used to support the hood. The increased overall depth makes a "bump-out" focal point that is easy to design
- 18" deep Wall Hood Mantle Cabinets are to be used with 30"-36" Wall Hood Mantle Matching units only. Larger units are unable to ventilate properly
- Add an LED Lighting Kit near the front, beneath the Wall Hood Mantle Cabinets (B) to highlight lower storage
- Create a hearth surround for the cooking area in your kitchen with components that work as a system for 84", 87", 90", 93" and 96" high cabinetry designs



### Wall Hood Mantle Matching



19" High  
For 87" ceiling  
**WHMM3019**  
**WHMM3619**  
**WHMM4219**  
**WHMM4819**  
**WHMM5419**  
**WHMM6019**

22" High  
For 90" ceiling  
**WHMM3022**  
**WHMM3622**  
**WHMM4222**  
**WHMM4822**  
**WHMM5422**  
**WHMM6022**

25" High  
For 90" ceiling  
**WHMM3025**  
**WHMM3625**  
**WHMM4225**  
**WHMM4825**  
**WHMM5425**  
**WHMM6025**

28" High  
For 93" ceiling  
**WHMM3028**  
**WHMM3628**  
**WHMM4228**  
**WHMM4828**  
**WHMM5428**  
**WHMM6028**

30 1/2" High  
For 96" ceiling  
**WHMM3031**  
**WHMM3631**  
**WHMM4231**  
**WHMM4831**  
**WHMM5431**  
**WHMM6031**

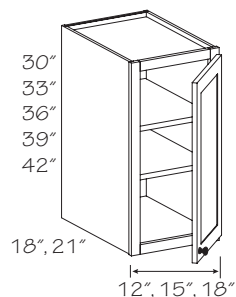
- Solid wood/wood veneer construction
- No end panels, needs to be supported on each side by Wall Hood Mantle Cabinet or Wall Column
- 3/4" thick, 4 1/4" deep solid wood shelf
- Hoods are designed to be set 29"-29 1/2" above the cooking surface
- 30" and 36" wide used at 18" depth requires Wall Hood Component Package "L"; available for 18" deep hoods only
- 36"-60" wide used at 21" deep will use Wall Hood Component Package "I" or "Q"
- Doors open to facilitate duct installation and wiring
- Will accept optional onlays; order separately
- Thermofolds are painted hardwood
- Quartersawn door styles are supplied plain sawn
- Rustic doors applied with ordered in Rustic door styles
- **Note:** Cabinetry and appliances located below these Wall Hoods should be pulled to a min. of 27" deep and a max. of 30" deep for improved function



Choose the Wall Hood Mantle Matching when you prefer a larger, wider focal point that matches your chosen door style. Personalize the front shelf area with an onlay or corbel. Personalize the design by incorporating companion onlays to enhance the cooking focal point of the kitchen

PE
◆ APC
APFC
FPEB
MI
DE
CW
RD
ID
CH
XS
XSG
GD

### Wall Hood Mantle Cabinet



Two Shelves  
30" High  
**WHMC121830 R or L**  
**WHMC151830 R or L**  
**WHMC181830 R or L**  
**WHMC122130 R or L**  
**WHMC152130 R or L**  
**WHMC182130 R or L**

Two Shelves  
33" High  
**WHMC121833 R or L**  
**WHMC151833 R or L**  
**WHMC181833 R or L**  
**WHMC122133 R or L**  
**WHMC152133 R or L**  
**WHMC182133 R or L**

Three Shelves  
36" High  
**WHMC121836 R or L**  
**WHMC151836 R or L**  
**WHMC181836 R or L**  
**WHMC122136 R or L**  
**WHMC152136 R or L**  
**WHMC182136 R or L**

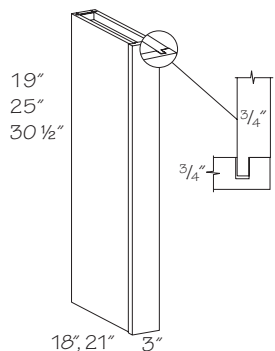
Three Shelves  
39" High  
**WHMC121839 R or L**  
**WHMC151839 R or L**  
**WHMC181839 R or L**  
**WHMC122139 R or L**  
**WHMC152139 R or L**  
**WHMC182139 R or L**

Three Shelves  
42" High  
**WHMC121842 R or L**  
**WHMC151842 R or L**  
**WHMC181842 R or L**  
**WHMC122142 R or L**  
**WHMC152142 R or L**  
**WHMC182142 R or L**

- Specify R or L for single door hinging
- Additional support required
- 18" deep Wall Hood Mantle Cabinets are to be used with 30"-36" Wall Hood Mantle Matching units only. Larger units are unable to ventilate properly
- Thermofolds are painted hardwood
- Bottom door is always square
- (VDA) is unavailable
- ☆ (APFC) standard when (APC) option is selected

PE
● APC
☆ APFC
◆ FPEB
● MI
● DE
● CW
RD
ID
CH
● XS
● XSG
● GD

### Wall Hood Mantle Column

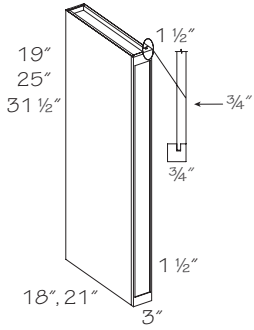


19" High  
**WC31819**  
**WC32119**  
25" High  
**WC31825**  
**WC32125**  
31" High  
**WC31831**  
**WC32131**

- Front is 3/4" solid wood
- Quartersawn Oak door styles have 3/4" solid quartersawn wood front and quartersawn wood veneer end panels
- Painted hardwood supplied for EverCore®
- Plain sawn material supplied for Crafted door styles
- Finished front and both sides
- Reversible, may be used on either right or left end
- Foil-wrapped MDF supplied for Wood-Grain Foil door styles
- ☆ (APFC) standard when (APC) option is selected

PE
● APC
☆ APFC
◆ FPEB
MI
DE
CW
● RD
● ID
● CH
XS
XSG
GD

### Wall Hood Mantle Column - Sterling

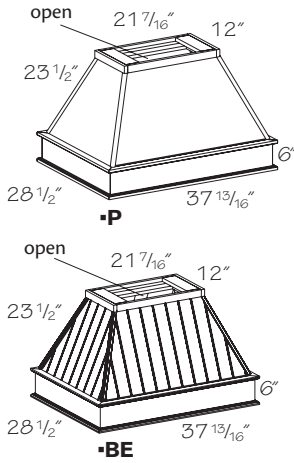


19" High  
**STWC31819**  
**STWC32119**  
 25" High  
**STWC31825**  
**STWC32125**  
 31 1/2" High  
**STWC31831**  
**STWC32131**

- Front is 3/4" solid wood
- Available in Cherry, EverCore®, Maple, Rustic Alder and Wood-Grain Foil door styles only
- Painted hardwood supplied for EverCore®
- Painted hardwood supplied for Wood-Grain Foil door styles; only available in white
- Finished front and both sides
- Reversible, may be used on either right or left end
- ☆ (APFC) standard when (APC) option is selected

PE
● APC
☆ APFC
◆ FPFB
MI
DE
CW
● RD
● ID
CH
XS
XSG
GD

### Peninsula Wall Hood Classic

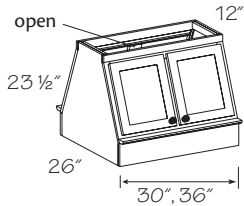


**PCRH3624 .BE**  
**PCRH3624 .P**

- Solid wood/wood veneer construction
- Requires Wall Hood Component Package "C" or "F"
- Quartersawn door styles are supplied plain sawn
- Unavailable in Rustic Alder door styles
- Rustic material is **not** supplied when ordered in applicable rustic door styles
- Unavailable in High-Gloss Foil or Wood-Grain Foil door styles
- Painted hardwood supplied for EverCore®

PE
● APC
APFC
FPFB
MI
DE
CW
RD
ID
CH
XS
XSG
GD

### Peninsula Wall Hood Matching

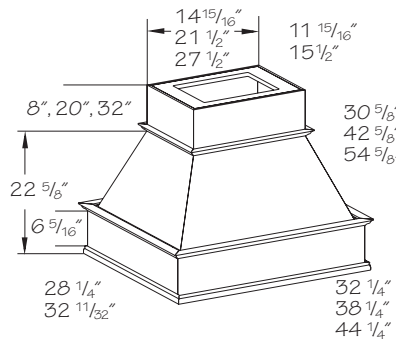


**PRH3024 .OG**  
**PRH3624 .OG**

- Solid wood/wood veneer construction
- Metal liner required
- Doors open to facilitate duct installation and wiring
- Requires Wall Hood Component Package "C" or "F"
- Quartersawn door styles are supplied plain sawn
- Unavailable in Rustic Alder door styles
- Rustic doors applied when ordered in applicable Rustic door styles
- Unavailable in High-Gloss Foil or Wood-Grain Foil door styles
- Painted hardwood supplied for EverCore®

PE
● APC
APFC
FPFB
MI
DE
CW
RD
ID
CH
XS
XSG
GD

**Peninsula Wall Hood Classic Chimney**



- 30 5/8" High  
**PWHCC302830 .P**  
**PWHCC363330 .P**  
**PWHCC423330 .P**
- 42 5/8" High  
**PWHCC302842 .P**  
**PWHCC363342 .P**  
**PWHCC423342 .P**
- 54 5/8" High  
**PWHCC302854 .P**  
**PWHCC363354 .P**  
**PWHCC423354 .P**

- PE
- ❖ APC
- APFC
- FPEB
- MI
- DE
- CW
- RD
- ID
- CH
- XS
- XSG
- GD

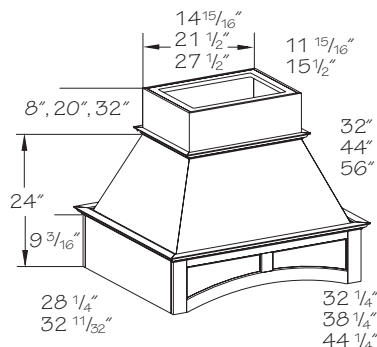
Opening Sizes				
Cabinet	Top Width	Top Depth	Bottom Width	Bottom Depth
PWHCC30	7 15/16"	6 15/16"	28 1/2"	24 1/2"
PWHCC36	14 1/2"	10 1/2"	34 1/2"	28 13/16"
PWHCC42	20 1/2"	10 1/2"	40 1/2"	21 9/16"

- Solid wood/wood veneer construction
- A 3" space is recommended on the right and left side of this unit before beginning the adjacent cabinet runs
- 30 5/8" high hoods are designed for use with 8 foot ceilings
- 42 5/8" high hoods are designed for use with 9 ft. ceilings
- 54 5/8" high hoods are designed for use with 10 ft. ceilings
- Lower molding matches Beaded Panel Molding profile, other molding matches Soffit Crown Molding profile
- Chimney section shipped separately
- Will accept optional onlays; order separately
- Unable to be used with a soffit
- Quartersawn door styles are supplied plain sawn
- Painted hardwood supplied for EverCore® and Thermofoil
- Painted or Stained hardwood supplied for Wood-Grain Foil door styles
- Rustic material is **not** supplied when ordered in applicable rustic door styles
- 30" wide requires Wall Hood Component Package "K"
- 36" – 42" wide requires Wall Hood Component Package "H" or "O"
- **Note:** Cabinetry and appliances located below these Wall Hoods should be pulled to a min. of 27" deep and a max. of 30" deep for improved function



Apply your molding of choice at the ceiling along the top edge of the Wall Hood Chimney to present a finished look or to coordinate with adjacent cabinetry. A beaded styled hood may be selected to coordinate with beaded/V-grooved paneling and doors, but is not required

**Peninsula Wall Hood Classic Chimney Flat Panel Valance**



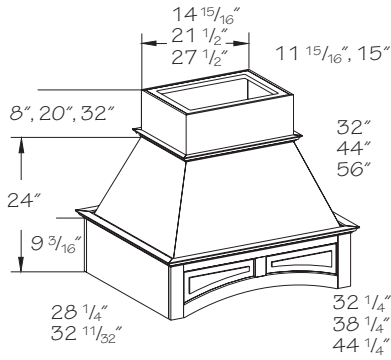
- 32" High  
**PWHCCFPV302832 .P**  
**PWHCCFPV363332 .P**  
**PWHCCFPV423332 .P**
- 44" High  
**PWHCCFPV302844 .P**  
**PWHCCFPV363344 .P**  
**PWHCCFPV423344 .P**
- 56" High  
**PWHCCFPV302856 .P**  
**PWHCCFPV363356 .P**  
**PWHCCFPV423356 .P**

- PE
- ❖ APC
- APFC
- FPEB
- MI
- DE
- CW
- RD
- ID
- CH
- XS
- XSG
- GD

Opening Sizes				
Cabinet	Top Width	Top Depth	Bottom Width	Bottom Depth
PWHCCFPV30	7 15/16"	6 15/16"	28 5/8"	24 1/2"
PWHCCFPV36	14 1/2"	10 1/2"	34 5/8"	28 1/2"
PWHCCFPV42	20 1/2"	10 1/2"	40 5/8"	28 1/2"

- Solid wood/wood veneer construction
- A 3" space is recommended on the right and left side of this unit before beginning the adjacent cabinet runs
- 32" high hoods are designed for use with 8 foot ceilings
- 44" high hoods are designed for use with 9 ft. ceilings
- 56" high hoods are designed for use with 10 ft. ceilings
- Decorative molding matches Soffit Crown Molding profile
- Chimney section shipped separately
- Unable to be used with a soffit
- Painted hardwood supplied for EverCore® and Thermofoil
- Quartersawn door styles are supplied plain sawn
- Unavailable in High-Gloss Foil or Wood-Grain Foil door styles
- Rustic material is **not** supplied when ordered in applicable rustic door styles
- 30" wide requires Wall Hood Component Package "K"
- 36" – 42" wide requires Wall Hood Component Package "H" or "O"
- **Note:** Cabinetry and appliances located below these Wall Hoods should be pulled to a min. of 27" deep and a max. of 30" deep for improved function

### Peninsula Wall Hood Classic Chimney Raised Panel Valance



- 32" High  
**PWHCCRPV302832 .P**  
**PWHCCRPV363332 .P**  
**PWHCCRPV423332 .P**
- 44" High  
**PWHCCRPV302844 .P**  
**PWHCCRPV363344 .P**  
**PWHCCRPV423344 .P**
- 56" High  
**PWHCCRPV302856 .P**  
**PWHCCRPV363356 .P**  
**PWHCCRPV423356 .P**

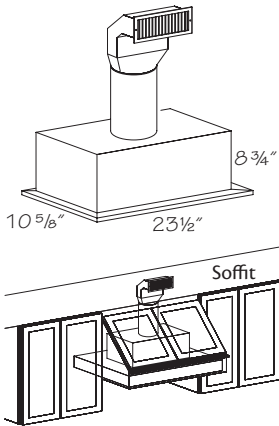
- PE
- ❖ APC
- APFC
- FPEB
- MI
- DE
- CW
- RD
- ID
- CH
- XS
- XSG
- GD

- Solid wood/wood veneer construction
- A 3" space is recommended on the right and left side of this unit before beginning the adjacent cabinet runs
- 32" high hoods are designed for use with 8 foot ceilings
- Decorative molding matches Soffit Crown Molding profile
- Chimney section shipped separately
- Unable to be used with a soffit
- Painted hardwood supplied for EverCore® and Thermofoil
- Unavailable in Wood-Grain Foil door styles
- Quartersawn door styles are supplied plain sawn
- Rustic material is **not** supplied when ordered in applicable rustic door styles
- 30" wide requires Wall Hood Component Package "K"
- 36" - 42" wide requires Wall Hood Component Package "H" or "O"
- **Note:** Cabinetry and appliances located below these Wall Hoods should be pulled to a min. of 27" deep and a max. of 30" deep for improved function

#### Opening Sizes

Cabinet	Top Width	Top Depth	Bottom Width	Bottom Depth
PWHCCRPV30	7 15/16"	6 15/16"	28 5/8"	24 1/2"
PWHCCRPV36	14 1/2"	10 1/2"	34 5/8"	28 1/2"
PWHCCRPV42	20 1/2"	10 1/2"	40 5/8"	28 1/2"

### Wall Hood Component Package (A, B & C) - Recirculating



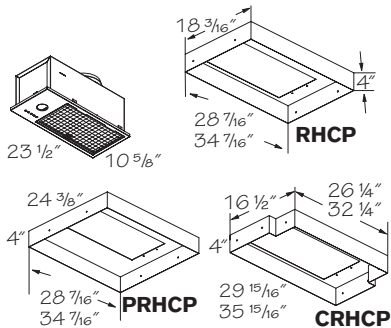
Example of installation when soffit is present

- Package "A"  
**RHCP30 R .SN**  
**RHCP36 R .SN**
- Package "B"  
**CRHCP30 R .SN**  
**CRHCP36 R .SN**
- Package "C"  
**PRHCP30 R .SN**  
**PRHCP36 R .SN**

- This unit includes a satin nickel colored metal liner, and an easy to clean aluminum mesh filter. This is powered by a 390 CFM squirrel cage fan and has push button controls. This unit comes with two feet of 7" round ductwork, a 90° elbow, charcoal filter and grille with white vent
- Requires a 50 watt, 120 volt halogen lamp (MR16 GU10 base) which are available at hardware or lighting retailers

- PE
- APC
- APFC
- FPEB
- MI
- DE
- CW
- RD
- ID
- CH
- XS
- XSG
- GD

### Wall Hood Component Package (D, E & F) - Vented

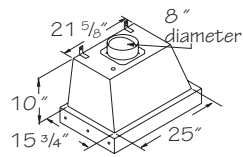


- Package "D"  
**RHCP30 V .SN**  
**RHCP36 V .SN**
- Package "E"  
**CRHCP30 V .SN**  
**CRHCP36 V .SN**
- Package "F"  
**PRHCP30 V .SN**  
**PRHCP36 V .SN**

- This unit includes a satin nickel colored metal liner, and an easy to clean aluminum mesh filter. This is powered by a 390 CFM squirrel cage fan and has push button controls. 7" round duct vents on top
- Requires a 50 watt, 120 volt halogen lamp (MR16 GU10 base) which are available at hardware or lighting retailers

- PE
- APC
- APFC
- FPEB
- MI
- DE
- CW
- RD
- ID
- CH
- XS
- XSG
- GD

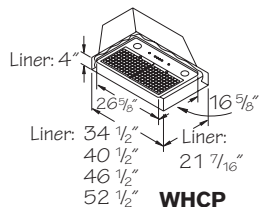
### Wall Hood Component Package (G, H & I) - Vented



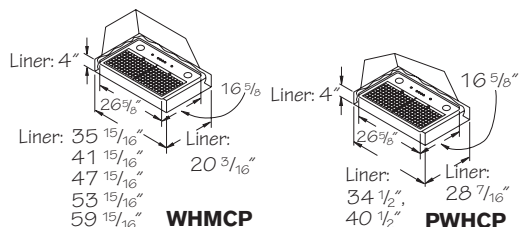
Package "G"  
**WHCP3624 V**  
**WHCP4224 V**  
**WHCP4824 V**  
**WHCP5424 V**

Package "H"  
**PWHCP3633 V**  
**PWHCP4233 V**

Package "I"  
**WHMCP3621 V**  
**WHMCP4221 V**  
**WHMCP4821 V**  
**WHMCP5421 V**  
**WHMCP6021 V**



**WHCP**



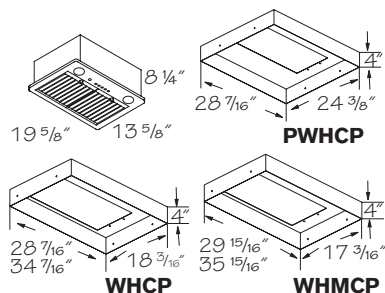
**WHMCP**

**PWHCP**

- This unit is used for ducted to exterior installation
- Powered by a 660 CFM 3-speed squirrel cage fan with push button controls
- Requires two 50 watt, 120 volt halogen light bulbs (MR16 GU10 base) which are available at hardware or lighting retailers
- Easy to clean aluminum mesh filter
- Includes stainless steel liner; interior is clear, powder coated
- Front panel of blower is covered with a removable protective peel-coat to prevent scratching

PE
APC
APFC
FPEB
MI
DE
CW
RD
ID
CH
XS
XSG
GD

### Wall Hood Component Package (J, K & L) - Vented



**WHCP**

**WHMCP**

Package "J"  
**WHCP3019 V**  
**WHCP3619 V**

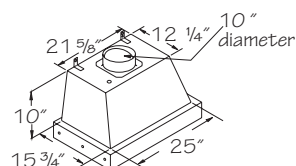
Package "K"  
**PWHCP3028 V**

Package "L"  
**WHMCP3018 V**  
**WHMCP3618 V**

- This unit is used for ducted to exterior installation
- Powered by a 390 CFM squirrel cage fan and has push button controls
- Easy to clean aluminum mesh filter
- Includes stainless steel liner; interior is clear, powder coated
- 7" round duct
- Requires two 50 watt, 120 volt halogen light bulbs (MR16 GU10 base) which are available at hardware or lighting retailers
- Front panel of blower is covered with a removable protective peel-coat to prevent scratching
- **Note:** DCK1K (Recirculating Conversion Kit) can be ordered separately to convert these component packages to recirculating

PE
APC
APFC
FPEB
MI
DE
CW
RD
ID
CH
XS
XSG
GD

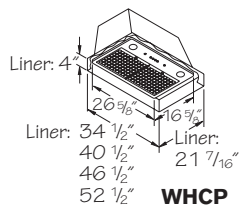
### Wall Hood Component Package (O, P, Q) - Vented



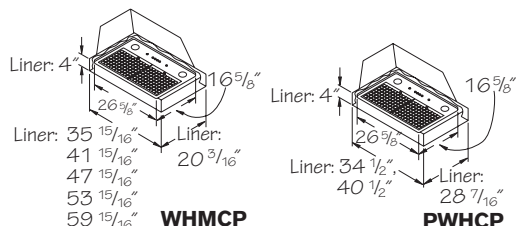
Package "O"  
**PWHCP3633 V.2**  
**PWHCP4233 V.2**

Package "P"  
**WHCP3624 V.2**  
**WHCP4224 V.2**  
**WHCP4824 V.2**  
**WHCP5424 V.2**

Package "Q"  
**WHMCP3621 V.2**  
**WHMCP4221 V.2**  
**WHMCP4821 V.2**  
**WHMCP5421 V.2**  
**WHMCP6021 V.2**



**WHCP**



**WHMCP**

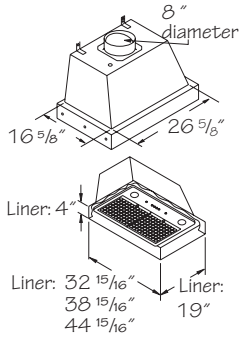
**PWHCP**

- This unit is used for ducted to exterior installation
- 10" round duct vents on top
- Powered by a 980 CFM 3-speed squirrel cage fan and has push button controls
- Requires two 50 watt, 120 volt halogen light bulbs (MR16 GU10 base) which are available at hardware or lighting retailers
- Easy to clean aluminum mesh filter
- Front panel of blower is covered with a protective white vinyl to prevent scratching

PE
APC
APFC
FPEB
MI
DE
CW
RD
ID
CH
XS
XSG
GD

**Wall Hood Component Package (R) - Vented**

**WHCP4222 V**  
**WHCP4822 V**  
**WHCP5422 V**

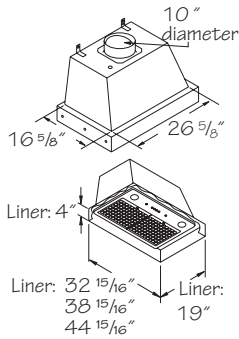


- This unit is used for ducted to exterior installation
- 42, 48 and 54 powered by a 660 CFM squirrel cage fan and has push button controls
- Easy to clean aluminum mesh filter
- Includes stainless steel liner; interior is clear, powder coated
- 8" round duct vents on top
- Requires two 50 watt, 120 volt halogen light bulbs (MR16 GU10 base) which are available at hardware or lighting retailers
- Front panel of blower is covered with a removable protective peel-coat to prevent scratching

PE
APC
APFC
FPEB
MI
DE
CW
RD
ID
CH
XS
XSG
GD

**Wall Hood Component Package (S) - Vented**

**WHCP4222 V.2**  
**WHCP4822 V.2**  
**WHCP5422 V.2**

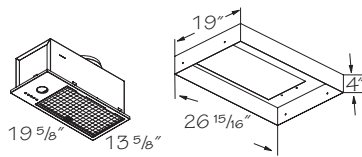


- This unit is used for ducted to exterior installation
- Powered by a 980 CFM squirrel cage fan and has push button controls
- Easy to clean aluminum mesh filter
- Includes stainless steel liner; interior is clear, powder coated
- 10" round duct vents on top
- Requires two 50 watt, 120 volt halogen light bulbs (MR16 GU10 base) which are available at hardware or lighting retailers
- Front panel of blower is covered with a removable protective peel-coat to prevent scratching

PE
APC
APFC
FPEB
MI
DE
CW
RD
ID
CH
XS
XSG
GD

**Wall Hood Component Package (T) - Vented**

**WHCP3622 V**

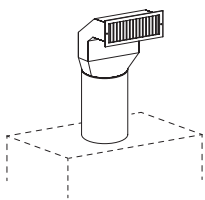


- This unit is used for ducted to exterior installation
- Powered by a 390 CFM squirrel cage fan and has push button controls
- Easy to clean aluminum mesh filter
- Includes stainless steel liner; interior is clear, powder coated
- 7" round duct vents on top
- Requires two 50 watt, 120 volt halogen light bulbs (MR16 GU10 base) which are available at hardware or lighting retailers
- Front panel of blower is covered with a removable protective peel-coat to prevent scratching

PE
APC
APFC
FPEB
MI
DE
CW
RD
ID
CH
XS
XSG
GD

**Recirculating Conversion Kit**

**DCK1K**



- Compatible with Wall Hood Component Packages J, K & L
- Replacement kit for Wall Hood Component Packages A, B & C - Recirculating
- Kit Includes:
  - Trimmable 24" long, 7" diameter duct
  - 90° elbow (7" diameter, transitions to 9 15/16" wide x 3 1/4" high opening"
  - White vent cover (11 1/16" wide x 3 5/16" high)
  - Charcoal filter with clips

PE
APC
APFC
FPEB
MI
DE
CW
RD
ID
CH
XS
XSG
GD

# Wall Microwave Cabinets

WMC	27	36	18
code	width	height	depth

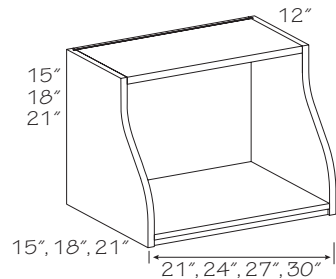
## Construction Options and Modifications

- ❖ Included as standard
- Available with an upcharge
- ☆ Available with exceptions
- (Blank) Unavailable

- PE Plywood Ends
- APC All Plywood Construction
- APFC All Plywood Furniture Construction
- FPEB Furniture Plywood Ends
- MI Matching Interior
- AD\_E Attached Decorative End
- CW Change Width
- RD Reduced Depth
- ID Increased Depth
- CH Change Height
- XS Extended Stile
- GD Glass Doors

**Caution:** Any wall cabinet over 24" wide or 30" high or higher with a depth greater than 12" and/or with butt doors **must** be installed between two (2) cabinets, a cabinet and a wall or supported from below. Failure to provide additional support could result in collapse of the cabinet, serious personal injury, or property damage. Damage relating to failure to provide additional support is **not** covered by the warranty.

Material dimensions listed may vary slightly from actual dimensions of the product. Specifications subject to change without notice.



### Wall Microwave Shelf

- 15" High**
- **WMS211515** 19 3/8" x 12 11/16"
  - **WMS241515** 22 3/8" x 12 11/16"
  - **WMS211815** 19 3/8" x 12 11/16"
  - **WMS241815** 22 3/8" x 12 11/16"
- 18" High**
- **WMS241818** 22 3/8" x 15 11/16"
  - **WMS271818** 25 3/8" x 15 11/16"
  - **WMS301818** 28 3/8" x 15 11/16"
  - **WMS242118** 22 3/8" x 15 11/16"
  - **WMS272118** 25 3/8" x 15 11/16"
  - **WMS302118** 28 3/8" x 15 11/16"
- 21" High**
- **WMS241821** 22 3/8" x 18 11/16"
  - **WMS271821** 25 3/8" x 18 11/16"
  - **WMS301821** 28 3/8" x 18 11/16"
  - **WMS242121** 22 3/8" x 18 11/16"
  - **WMS272121** 25 3/8" x 18 11/16"
  - **WMS302121** 28 3/8" x 18 11/16"

**Inside Dimensions:**

- 19 3/8" x 12 11/16"
- 22 3/8" x 12 11/16"
- 19 3/8" x 12 11/16"
- 22 3/8" x 12 11/16"
- 22 3/8" x 15 11/16"
- 25 3/8" x 15 11/16"
- 28 3/8" x 15 11/16"
- 22 3/8" x 15 11/16"
- 25 3/8" x 15 11/16"
- 28 3/8" x 15 11/16"
- 22 3/8" x 18 11/16"
- 25 3/8" x 18 11/16"
- 28 3/8" x 18 11/16"
- 22 3/8" x 18 11/16"
- 25 3/8" x 18 11/16"
- 28 3/8" x 18 11/16"

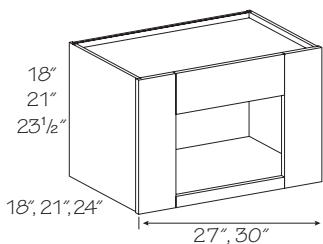
- 3/4" wood veneer construction
- Designed for countertop style microwaves
- Contrasting Back Options (CBEB, CPLB) unavailable
- Quartersawn door styles are supplied plain sawn
- Painted hardwood supplied for EverCore®



A wall hood or microwave shelf adjacent to a corner cabinet restricts the door from opening

PE
● APC
● APFC
● FPEB
❖ MI
AD_E
☆ CW
RD
ID
CH
XS
GD

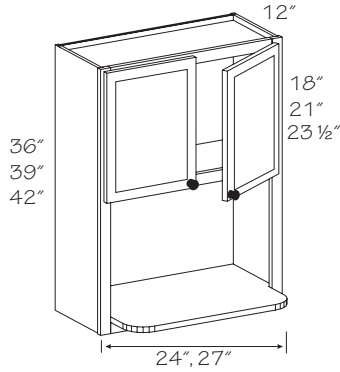
### Wall Microwave Box



- 18" High**
- Opening trimmable to:  
Width: 16" to 25" Height: 11" to 15 1/2"
- **WMB271818**
  - **WMB272118**
- 18" High**
- Opening trimmable to:  
Width: 19" to 28" Height: 11" to 15 1/2"
- **WMB301818**
  - **WMB302118**
- 21" High**
- Opening trimmable to:  
Width: 16" to 25" Height: 14" to 18 1/2"
- **WMB271821**
  - **WMB272121**
  - **WMB272421**
- 21" High**
- Opening trimmable to:  
Width: 19" to 28" Height: 14" to 18 1/2"
- **WMB301821**
  - **WMB302121**
  - **WMB302421**

- Designed for "built-in" style microwaves
- Contrasting Back Options (CBEB, CPLB) unavailable
- Back Options (BEB and VGRB) unavailable
- Painted hardwood supplied for EverCore®
- (CH) and (CW) changes will occur in the cabinet opening - stiles and rails will **not** change

● PE
● APC
● APFC
● FPEB
MI
AD_E
● CW
● RD
ID
● CH
XS
GD

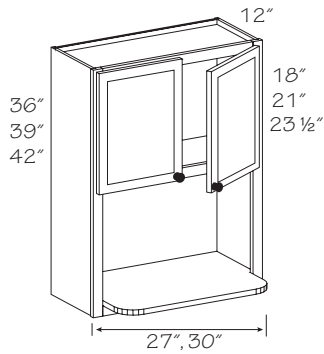


### Wall Compact Microwave Shelf

36" High <b>WCMSC241236</b> <b>WCMSC271236 (Butt)</b>	Inside Dimensions: 21" x 15 3/4" 24" x 15 3/4"
39" High <b>WCMSC241239</b> <b>WCMSC271239 (Butt)</b>	21" x 15 3/4" 24" x 15 3/4"
42" High <b>WCMSC241242</b> <b>WCMSC271242 (Butt)</b>	21" x 16 1/4" 24" x 16 1/4"

- 18" deep, 3/4" matching shelf
- Designed for countertop style microwaves
- (CH) modifications will be made in the upper door section
- (AD\_E) is unable to be applied to both ends of this cabinet based on the installation rules
- **Note: Must** be installed between two cabinets, a cabinet and a wall or have at least one adjacent cabinet along with additional support, such as, attachment to a soffit or support from below. **Must** be installed with supplied connectors

- PE
- APC
- APFC
- FPFB
- ✦ MI
- AD\_E
- CW
- RD
- ID
- CH
- XS
- GD



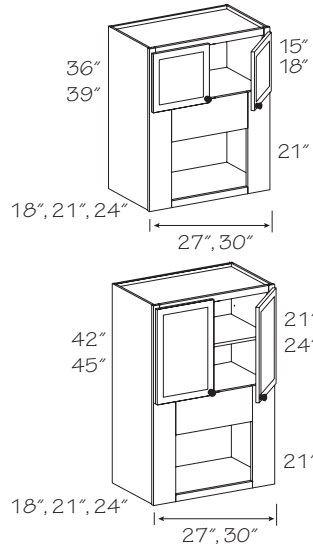
### Wall Compact Microwave w/Solid Wood Shelf

36" High <b>SWCMSC241236</b> <b>SWCMSC271236 (Butt)</b>	Inside Dimensions: 21" x 15 3/4" 24" x 15 3/4"
39" High <b>SWCMSC241239</b> <b>SWCMSC271239 (Butt)</b>	21" x 15 3/4" 24" x 15 3/4"
42" High <b>SWCMSC241242</b> <b>SWCMSC271242 (Butt)</b>	21" x 16 1/4" 24" x 16 1/4"

- 18" deep, 3/4" matching shelf
- Solid wood construction on matching lower shelf only
- Designed for countertop style microwaves
- Thermofolds are painted hardwood
- (CH) modifications will be made in the upper door section
- (AD\_E) is unable to be applied to both ends of this cabinet based on the installation rules
- **Note: Must** be installed between two cabinets, a cabinet and a wall or have at least one adjacent cabinet along with additional support, such as, attachment to a soffit or support from below. **Must** be installed with supplied connectors

- PE
- APC
- APFC
- FPFB
- ✦ MI
- AD\_E
- CW
- RD
- ID
- CH
- XS
- GD

### Wall Microwave Cabinet



36" High Opening trimmable to: Width: 16" to 25" Height: 13" to 19" <b>WMC271836 (Butt)</b> <b>WMC272136 (Butt)</b> <b>WMC272436 (Butt)</b>	42" High Opening trimmable to: Width: 16" to 25" Height: 13 1/2" to 19 1/2" <b>WMC271842 (Butt)</b> <b>WMC272142 (Butt)</b> <b>WMC272442 (Butt)</b>
36" High Opening trimmable to: Width: 19" to 28" Height: 13" to 19" <b>WMC301836 BUTT</b> <b>WMC302136 BUTT</b> <b>WMC302436 BUTT</b>	42" High Opening trimmable to: Width: 19" to 28" Height: 13 1/2" to 19 1/2" <b>WMC301842 BUTT</b> <b>WMC302142 BUTT</b> <b>WMC302442 BUTT</b>
39" High Opening trimmable to: Width: 16" to 25" Height: 13" to 19" <b>WMC271839 (Butt)</b> <b>WMC272139 (Butt)</b> <b>WMC272439 (Butt)</b>	45" High Opening trimmable to: Width: 16" to 25" Height: 13 1/2" to 19 1/2" <b>+ WMC271845 (Butt)</b> <b>+ WMC272145 (Butt)</b> <b>+ WMC272445 (Butt)</b>
39" High Opening trimmable to: Width: 19" to 28" Height: 13" to 19" <b>WMC301839 BUTT</b> <b>WMC302139 BUTT</b> <b>WMC302439 BUTT</b>	45" High Opening trimmable to: Width: 19" to 28" Height: 13 1/2" to 19 1/2" <b>+ WMC301845 BUTT</b> <b>+ WMC302145 BUTT</b> <b>+ WMC302445 BUTT</b>

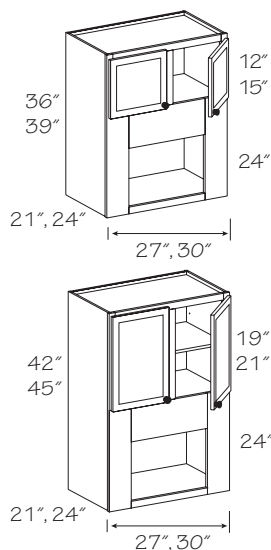
- Designed for "built-in" style microwaves
- (CH) modifications will be made in the upper door section
- (AD\_E) is unable to be applied to both ends of this cabinet based on the installation rules
- **Note: Must** be installed between two cabinets, a cabinet and a wall or have at least one adjacent cabinet along with additional support, such as, attachment to a soffit or support from below. **Must** be installed with supplied connectors

- PE
- APC
- APFC
- FPFB
- MI
- ☆ AD\_E
- CW
- RD
- ID
- CH
- XS
- GD

† (AD\_E) option unavailable



### Wall Microwave Cabinet – Extended Opening



36" High  
Opening trimmable to: Width: 16" to 25"  
Height: 16" to 22"  
 **WMCE272136 (Butt)**  
 **WMCE272436 (Butt)**

36" High  
Opening trimmable to: Width: 19" to 28"  
Height: 16" to 22"  
 **WMCE302136 BUTT**  
 **WMCE302436 BUTT**

39" High  
Opening trimmable to: Width: 16" to 25"  
Height: 16" to 22"  
**WMCE272139 (Butt)**  
**WMCE272439 (Butt)**

39" High  
Opening trimmable to: Width: 19" to 28"  
Height: 16" to 22"  
**WMCE302139 BUTT**  
**WMCE302439 BUTT**

(CH) option unavailable  
+ (AD\_E) option unavailable

42" High  
Opening trimmable to: Width: 19" to 28"  
Height: 16 1/2" to 22 1/2"  
**WMCE272142 (Butt)**  
**WMCE272442 (Butt)**  
**WMCE302142 BUTT**  
**WMCE302442 BUTT**

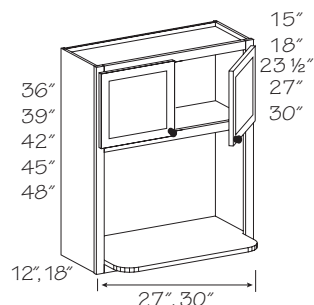
45" High  
Opening trimmable to: Width: 16" to 25"  
Height: 16 1/2" to 22 1/2"  
+ **WMCE272145 (Butt)**  
+ **WMCE272445 (Butt)**

45" High  
Opening trimmable to: Width: 19" to 28"  
Height: 16 1/2" to 22 1/2"  
+ **WMCE302145 BUTT**  
+ **WMCE302445 BUTT**

- Designed for "built-in" style microwaves
- (CH) modifications will be made in the upper door section
- (AD\_E) is unable to be applied to both ends of this cabinet based on the installation rules
- **Note: Must** be installed between two cabinets, a cabinet and a wall or have at least one adjacent cabinet along with additional support, such as, attachment to a soffit or support from below. **Must** be installed with supplied connectors

- PE
- APC
- APFC
- FPFB
- MI
- ☆ AD\_E
- CW
- RD
- ID
- ☆ CH
- XS
- GD

### Wall Microwave Shelf Cabinet



36" High  
No Shelves  
**WMSC271236 (Butt)**  
**WMSC271836 (Butt)**  
**WMSC301236 BUTT**

39" High  
No Shelves  
**WMSC271239 (Butt)**  
**WMSC271839 (Butt)**  
**WMSC301239 BUTT**

42" High  
One Shelf  
**WMSC271242 (Butt)**  
**WMSC271842 (Butt)**  
**WMSC301242 BUTT**

45" High  
One Shelf  
+ **WMSC271245 (Butt)**  
+ **WMSC271845 (Butt)**  
+ **WMSC301245 BUTT**

48" High  
Two Shelves  
**WMSC271848 (Butt)**

Solid Wood Shelf Construction  
36" High  
No Shelf:  
**SWMSC271236 (Butt)**  
**SWMSC271836 (Butt)**  
**SWMSC271842 (Butt)**

48" High  
Two Shelves  
**SWMSC271848 (Butt)**

45" High  
One Shelf  
+ **SWMSC271245 (Butt)**  
+ **SWMSC271845 (Butt)**

39" High  
No Shelf  
**SWMSC271239 (Butt)**  
**SWMSC301239 BUTT**  
**SWMSC271839 (Butt)**

42" High  
One Shelf  
**SWMSC271242 (Butt)**  
**SWMSC301242 BUTT**  
**SWMSC301236 BUTT**  
+ **SWMSC301245 BUTT**

+ (AD\_E) option unavailable

#### Inside Dimensions:

24" x 18 3/4"  
24" x 18 3/4"  
27" x 18 3/4"

24" x 18 3/4"  
24" x 18 3/4"  
27" x 18 3/4"

24" x 16 1/4"  
24" x 16 1/4"  
27" x 16 1/4"

24" x 15 3/4"  
24" x 15 3/4"  
27" x 15 3/4"

24" x 15 3/4"

24" x 18 3/4"  
24" x 18 3/4"  
24" x 16 1/4"

24" x 15 3/4"

24" x 15 3/4"  
24" x 15 3/4"

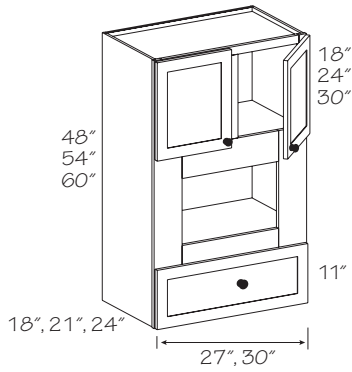
24" x 18 3/4"  
27" x 18 3/4"  
24" x 18 3/4"

24" x 16 1/4"  
27" x 16 1/4"  
27" x 18 3/4"  
27" x 15 3/4"

- 3/4" matching shelf, 18" deep on 12" cabinets, 24" deep on 18" cabinets
- Designed for countertop style microwaves
- (CH) modifications will be made in the upper door section
- Thermofolds are painted hardwood
- Solid wood construction on matching lower shelf only for cabinets with solid wood shelves
- (AD\_E) is unable to be applied to both ends of this cabinet based on the installation rules
- **Note: Must** be installed between two cabinets, a cabinet and a wall or have at least one adjacent cabinet along with additional support, such as, attachment to a soffit or support from below. **Must** be installed with supplied connectors

- PE
- APC
- APFC
- FPFB
- ☆ MI
- ☆ AD\_E
- CW
- RD
- ID
- CH
- XS
- GD

### Wall Microwave Cabinet w/Drawer



No shelves in upper section

- 48" High  
**WMCD271848 (Butt)**  
**WMCD301848**  
**WMCD272148 (Butt)**  
**WMCD302148**  
**WMCD272448 (Butt)**  
**WMCD302448**

One shelf in upper section

- 54" High  
**WMCD271854 (Butt)**  
**WMCD301854**  
**WMCD272154 (Butt)**  
**WMCD302154**  
**WMCD272454 (Butt)**  
**WMCD302454**

Two shelves in upper section

- 60" High  
 † **WMCD271860 (Butt)**  
 † **WMCD301860**  
 † **WMCD272160 (Butt)**  
 † **WMCD302160**  
 † **WMCD272460 (Butt)**  
 † **WMCD302460**

- One deep drawer
- Designed for "built-in" style microwaves
- (CH) modifications will be made in the upper door section
- Unit needs to be supported by another cabinet or countertop; unintended as a wall mounted cabinet

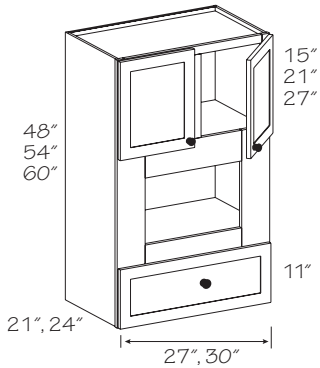
† (AD\_E) option unavailable

Cut out dimensions

Cabinet	Min. Width	Max. Width	Min. Height	Max. Height
WMCD27_48	16"	25"	12"	15 1/2"
WMCD27_54	16"	25"	12 1/2"	16"
WMCD27_60	16"	25"	12"	15 1/2"
WMCD30_48	19"	28"	12"	15 1/2"
WMCD30_54	19"	28"	12 1/2"	16"
WMCD30_60	19"	28"	12"	15 1/2"

- PE
- APC
- APFC
- FPFB
- MI
- ☆ AD\_E
- CW
- RD
- ID
- CH
- XS
- GD

### Wall Microwave Cabinet w/Drawer – Extended Opening



No shelves in upper section

- 48" High  
**WMCDE272148 (Butt)**  
**WMCDE302148**  
**WMCDE272448 (Butt)**  
**WMCDE302448**

One shelf in upper section

- 54" High  
**WMCDE272154 (Butt)**  
**WMCDE302154**  
**WMCDE272454 (Butt)**  
**WMCDE302454**

Two shelves in upper section

- 60" High  
 † **WMCDE272160 (Butt)**  
 † **WMCDE302160**  
 † **WMCDE272460 (Butt)**  
 † **WMCDE302460**

- One deep drawer
- Designed for "built-in" style microwaves
- (CH) modifications will be made in the upper door section
- Unit needs to be supported by another cabinet or countertop; unintended as a wall mounted cabinet

† (AD\_E) option unavailable

Cut out dimensions

Cabinet	Min Width	Max Width	Min Height	Max Height
WMCDE27_48	16"	25"	15"	18 1/2"
WMCDE27_54	16"	25"	15 1/2"	19"
WMCDE27_60	16"	25"	15"	18 1/2"
WMCDE30_48	19"	28"	15"	18 1/2"
WMCDE30_54	19"	28"	15 1/2"	19"
WMCDE30_60	19"	28"	15"	18 1/2"

- PE
- APC
- APFC
- FPFB
- MI
- ☆ AD\_E
- CW
- RD
- ID
- CH
- XS
- GD

# Wall Open Cabinets

## Construction Options and Modifications

<b>WCDA</b>	<b>18</b>	<b>36</b>
code	width	height

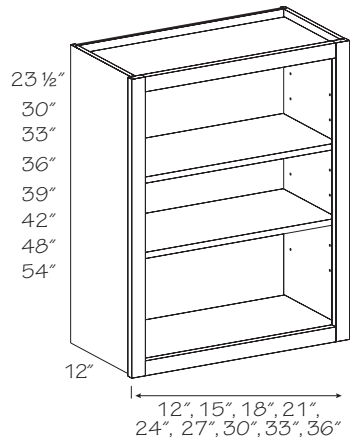
- ❖ Included as standard
- Available with an upcharge
- ☆ Available with exceptions
- (Blank) Unavailable

- PE Plywood Ends
- APC All Plywood Construction
- APFC All Plywood Furniture Construction
- FPEB Furniture Plywood Ends
- MI Matching Interior
- DE Integrated Decorative End
- AD\_E Attached Decorative End
- CW Change Width
- RD Reduced Depth
- ID Increased Depth
- CH Change Height
- TWR Top Wide Rail
- XS Extended Stile
- XSG Integrated Extended Stile
- XSB Extended Side Back
- GD Glass Doors

**Caution:** Any wall cabinet over 24" wide or 30" high or higher with a depth greater than 12" and/or with butt doors **must** be installed between two (2)

cabinets, a cabinet and a wall or supported from below. Failure to provide additional support could result in collapse of the cabinet, serious personal injury, or property damage. Damage relating to failure to provide additional support is **not** covered by the warranty.

Material dimensions listed may vary slightly from actual dimensions of the product. Specifications subject to change without notice.



### Wall Open Cabinet

#### One shelf

23 1/2" High  
**WOC2424**  
**WOC3024**

#### Two shelves

30" High  
**WOC1230**  
**WOC1530**  
**WOC1830**  
**WOC2130**  
**WOC2430**  
**WOC2730**  
**WOC3030**  
**WOC3330**  
**WOC3630**

#### Two shelves

33" High  
**WOC1233**  
**WOC1533**  
**WOC1833**  
**WOC2133**  
**WOC2433**  
**WOC2733**  
**WOC3033**  
**WOC3333**  
**WOC3633**

#### Three shelves

36" High  
**WOC1236**  
**WOC1536**  
**WOC1836**  
**WOC2136**  
**WOC2436**  
**WOC2736**  
**WOC3036**  
**WOC3336**  
**WOC3636**

#### Three shelves

39" High  
**WOC1239**  
**WOC1539**  
**WOC1839**  
**WOC2139**  
**WOC2439**  
**WOC2739**  
**WOC3039**  
**WOC3339**  
**WOC3639**

#### Three shelves

42" High  
**WOC1242**  
**WOC1542**  
**WOC1842**  
**WOC2142**  
**WOC2442**  
**WOC2742**  
**WOC3042**  
**WOC3342**  
**WOC3642**

#### Three shelves,

shipped separately

48" High  
**WOC1248**  
**WOC1548**  
**WOC1848**  
**WOC2148**  
**WOC2448**  
**WOC2748**  
**WOC3048**  
**WOC3348**  
**WOC3648**

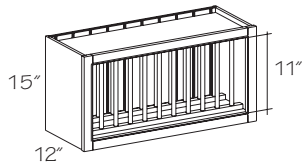
#### Four shelves,

shipped separately

54" High  
**WOC1254**  
**WOC1554**  
**WOC1854**  
**WOC2154**  
**WOC2454**  
**WOC2754**  
**WOC3054**  
**WOC3354**  
**WOC3654**

- Adjustable shelves
- The following valance options are available: VA, VCB, VCV, VCR, VF, VSH, VTWR, VVIC
- Valance options available in cabinets 15" and wider
- Painted hardwood supplied for EverCore®
- Valance options are plain sawn wood in quartersawn door styles
- ☆ (WTWR) available on 12"-36" high cabinets only
- ☆ Max. (ID) is 15" for cabinets 48" and 54" high

- PE
- APC
- APFC
- FPEB
- ❖ MI
- DE
- AD\_E
- CW
- RD
- ☆ ID
- CH
- ☆ TWR
- XS
- XSG
- XSB
- GD



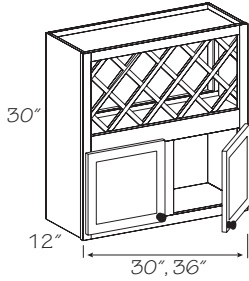
### Wall China Display

- WCD2415** 7 plates
- WCD3015** 10 plates
- WCD3615** 12 plates

- 10 7/8" clearance for plates
- Spindle height 11 1/2"; shipped separately
- Wood veneer Beaded Back
- Painted hardwood supplied for EverCore®
- Quartersawn door styles are supplied plain sawn
- ☆ Min. (RD) is 9"

- PE
- APC
- APFC
- FPFB
- ◇ MI
- DE
- AD\_E
- CW
- ☆ RD
- ID
- CH
- TWR
- XS
- XSG
- XSB
- GD

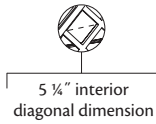
### Lattice Wall Cabinet



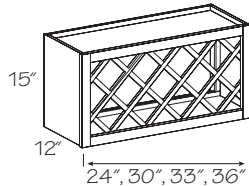
- LW3030** 11 bottles
- LW3630** 13 bottles

- 3 3/4" diameter bottle
- Lattices are finished on one side; unable to be removed

- PE
- APC
- APFC
- FPFB
- ◇ MI
- DE
- AD\_E
- CW
- RD
- ID
- CH
- TWR
- XS
- XSG
- XSB
- GD



### Lattice Wall

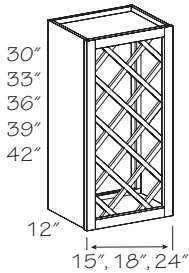


- Horizontal*
- 15" High
- LW2415** 7 bottles
  - LW3015** 11 bottles
  - LW3315** 11 bottles
  - LW3615** 13 bottles

- Vertical*
- 33" High
- LW1533** 11 bottles
  - LW1833** 11 bottles
  - LW2433** 17 bottles

- Vertical*
- 39" High
- LW1539** 17 bottles
  - LW1839** 17 bottles
  - LW2439** 27 bottles

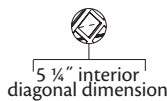
- 3 3/4" diameter bottle
- Lattices are finished on one side; unable to be removed
- Painted hardwood supplied for EverCore®



- Vertical*
- 30" High
- LW1530** 11 bottles
  - LW1830** 11 bottles
  - LW2430** 17 bottles

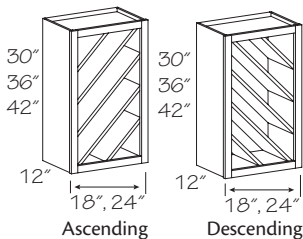
- Vertical*
- 36" High
- LW1536** 13 bottles
  - LW1836** 13 bottles
  - LW2436** 23 bottles

- Vertical*
- 42" High
- LW1542** 17 bottles
  - LW1842** 17 bottles
  - LW2442** 27 bottles



- PE
- APC
- APFC
- FPFB
- ◇ MI
- DE
- AD\_E
- CW
- RD
- ID
- CH
- TWR
- XS
- XSG
- XSB
- GD

### Wall - Diagonal Wine Storage Cabinet

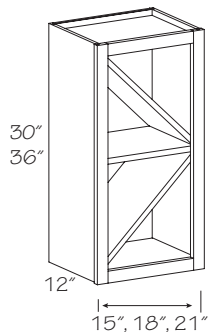


- |                    |                    |
|--------------------|--------------------|
| <i>Ascending</i>   | <i>Descending</i>  |
| <b>WDWC1830 .A</b> | <b>WDWC1830 .D</b> |
| <b>WDWC1836 .A</b> | <b>WDWC1836 .D</b> |
| <b>WDWC1842 .A</b> | <b>WDWC1842 .D</b> |
| <b>WDWC2430 .A</b> | <b>WDWC2430 .D</b> |
| <b>WDWC2436 .A</b> | <b>WDWC2436 .D</b> |
| <b>WDWC2442 .A</b> | <b>WDWC2442 .D</b> |

- 11/16" (17.5 mm) thick shelves
- Shelves fixed into position and unable to be adjusted
- Spacing between shelves is 4 1/8" wide, except top/bottom corner shelves which vary based on the overall cabinet size chosen

- PE
- ◇ APC
- APFC
- FPFB
- ◇ MI
- DE
- AD\_E
- CW
- RD
- ID
- CH
- TWR
- XS
- XSG
- XSB
- GD

### Wall - Offset Diagonal Wine Storage Cabinet

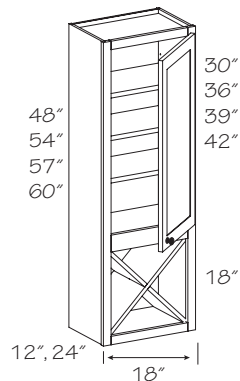


**WODWC1530**  
**WODWC1830**  
**WODWC2130**  
**WODWC1536**  
**WODWC1836**  
**WODWC2136**

- 11/16" (17.5 mm) thick shelves
- Shelves fixed into position and unable to be adjusted
- Cabinet can be inverted 180°; cabinet **cannot** be turned 90°

PE
❖ APC
● APFC
● FPFB
❖ MI
DE
AD_E
CW
RD
ID
CH
TWR
● XS
XSG
XSB
GD

### Wall Wine Hutch



12" Deep  
 \* **WWH181248 R or L**  
 \* **WWH181254 R or L**  
 +\* **WWH181257 R or L**  
 +\* **WWH181260 R or L**

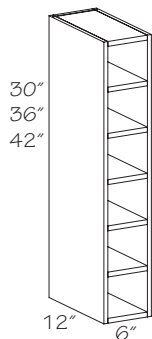
24" Deep  
 \* **WWH182448 R or L**  
 \* **WWH182454 R or L**  
 + **WWH182457 R or L**  
 + **WWH182460 R or L**

☆ (RD) is unavailable  
 + (AD\_E) option unavailable

- Specify R or L for single door hinging
- Designed to set on countertop
- 24" deep cabinet are unable to be reduced to depth less than 12"
- ☆ When (RD) is selected, wine storage section will always be 12" deep. The cabinet when ordered from 24" deep to 13" deep will always have a back panel in the wine storage section that is up against the X cross members

PE
❖ APC
● APFC
● FPFB
❖ MI
DE
☆ AD_E
CW
☆ RD
ID
CH
TWR
● XS
XSG
XSB
● GD

### Wall Wine Rack Cabinet

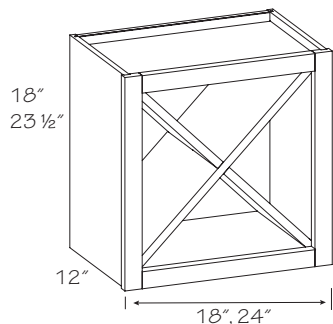


**WWR630** 5 shelves  
**WWR636** 6 shelves  
**WWR642** 7 shelves

- 1/2" plywood ends
- Crafted door styles will be supplied in plain sawn wood
- Quartersawn door styles are supplied plain sawn
- Painted hardwood supplied for EverCore®
- Vinyl edge banding applied to edges of cabinet
- Intended for vertical installation only
- Recommended installation is between two cabinets
- Contrasting Back Options unavailable
- ☆ (RD) unavailable in Foil door styles
- **Note:** This cabinet features "frameless" type construction
- Painted or Stained hardwood supplied for Wood-Grain Foil door styles

❖ PE
APC
APFC
FPFB
❖ MI
DE
AD_E
CW
☆ RD
ID
CH
TWR
XS
XSG
XSB
GD

### Wine Storage Cabinet



**WSC1818**  
**WSC2424**

- Requires additional support. Installation between two cabinets or cabinet and wall recommended
- Painted hardwood supplied for EverCore®



When ordering an unfinished cabinet that has standard (MIV), you must use (MIP, MIFP or FPFB) to get a wood veneer matching interior. If the cabinet is Wood Veneer standard, ordered as (APC or FPFB, APFC), wood veneer matching interior will be standard

PE
❖ APC
● APFC
● FPFB
❖ MI
DE
AD_E
CW
RD
ID
CH
TWR
XS
XSG
XSB
GD

# Wall End Run Cabinets

<b>WEC</b>	<b>12</b>	<b>30</b>
code	width	height

## Construction Options and Modifications

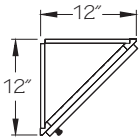
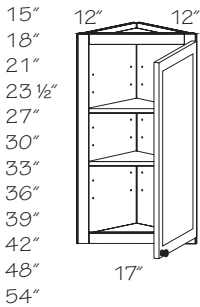
- ❖ Included as standard
- Available with an upcharge
- ☆ Available with exceptions
- (Blank) Unavailable

- PE Plywood Ends
- APC All Plywood Construction
- APFC All Plywood Furniture Construction
- FPEB Furniture Plywood Ends
- MI Matching Interior
- DE Integrated Decorative End
- AD\_E Attached Decorative End
- CW Change Width
- RD Reduced Depth
- ID Increased Depth
- CH Change Height
- XS Extended Stile
- XSB Extended Side Back
- GD Glass Doors

**Caution:** Any wall cabinet over 24" wide or 30" high or higher with a depth greater than 12" and/or with butt doors **must** be installed between two (2) cabinets, a cabinet and a wall or supported from below. Failure to provide additional support could result in collapse of the cabinet, serious personal injury, or property damage. Damage relating to failure to provide additional support is **not** covered by the warranty.

Material dimensions listed may vary slightly from actual dimensions of the product. Specifications subject to change without notice.

### Wall Corner Angle



- No shelf  
**WCA1215 R or L**  
**WCA1218 R or L**
- One shelf  
**WCA1221 R or L**  
**WCA1224 R or L**  
□ **WCA1227 R or L**
- Two shelves  
**WCA1230 R or L**  
**WCA1233 R or L**

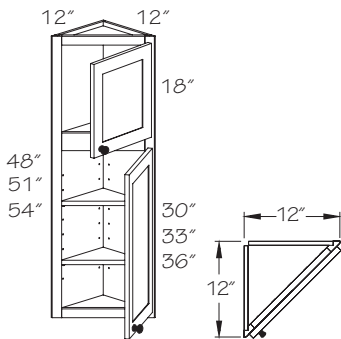
- Three shelves  
**WCA1236 R or L**  
**WCA1239 R or L**  
**WCA1242 R or L**
- Three shelves, shipped separately  
★▲ **WCA1248 R or L**
- Four shelves shipped separately  
★★▲ **WCA1254 R or L**

- (CH) option unavailable
- ★ Unavailable with Mullion glass doors (GD) option
- ▲ Available in full overlay door styles only
- ♣ Modern Frosted and Moire Glass Inserts unavailable on 54" H cabinets

- Specify R or L for single door hinging
- Adjustable shelves
- Back Options (BEB and VGRB) unavailable
- Contrasting Back Options (CBEB, CPLB) unavailable

- PE
- APC
- APFC
- FPEB
- MI
- DE
- AD\_E
- CW
- RD
- ID
- ☆ CH
- XS
- XSB
- ☆ GD

### Wall Corner Angle Stack

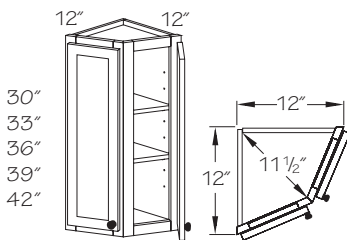


- Two shelves  
**WCAST1248 R or L**  
**WCAST1251 R or L**
- Three shelves  
**WCAST1254 R or L**

- Specify R or L for single door hinging
- Two vertical compartments with fixed rail and floor
- Bottom shelves are adjustable
- Shelves shipped separately
- Bottom door is always square
- Back Options (BEB and VGRB) unavailable
- Contrasting Back Options (CBEB, CPLB) unavailable
- ☆ Glass on top and bottom on select (GD) designs only

- PE
- APC
- APFC
- FPEB
- MI
- DE
- AD\_E
- CW
- RD
- ID
- CH
- XS
- XSB
- ☆ GD

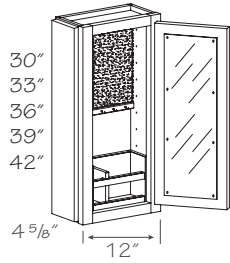
### Wall End Corner



- Two shelves  
**WEC1230**  
**WEC1233**
- Three shelves  
**WEC1236**  
**WEC1239**  
**WEC1242**

- Adjustable shelves
- Back Options (BEB and VGRB) unavailable
- Contrasting Back Options (CBEB, CPLB) unavailable
- Doors are square except full overlay arch door styles. Thermofoil door styles will always be square. Veranda doors will have a solid, recessed flat panel

- PE
- APC
- APFC
- FPEB
- MI
- DE
- AD\_E
- CW
- RD
- ID
- CH
- XS
- XSB
- GD



### Wall Message Center

MCW1230 R or L  
 MCW1233 R or L  
 MCW1236 R or L  
 MCW1239 R or L  
 MCW1242 R or L

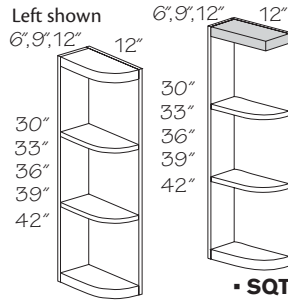
- Specify R or L for single door hinging
- Includes: Dry erase board, key hooks, cork board and Utensil organizer
- For use at the end of a cabinet run
- Filler Overlay supplied; ships separately; field install
- A 2 1/2" frame stile is used on the hinge side of the cabinet to provide clearance for hardware



Note: When a hinged door is attached to a 2 1/2" stile the door will be 1" narrower than a standard door. Keep this in mind when stacking cabinets

PE
APC
APFC
FPEB
MI
DE
AD_E
CW
RD
ID
CH
XS
XSB
GD

### Solid Wood Wall End Open Shelf



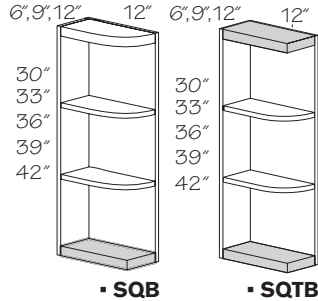
(3) 8 13/16" sections

30" High  
 SWEOS630 R or L  
 SWEOS630 R or L.SQT  
 SWEOS630 R or L.SQB  
 SWEOS630 R or L.SQTB  
 SWEOS930 R or L  
 SWEOS930 R or L.SQT  
 SWEOS930 R or L.SQB  
 SWEOS930 R or L.SQTB  
 SWEOS1230 R or L  
 SWEOS1230 R or L.SQT  
 SWEOS1230 R or L.SQB  
 SWEOS1230 R or L.SQTB

(4) 8 11/16" sections

39" High  
 SWEOS639 R or L  
 SWEOS639 R or L.SQT  
 SWEOS639 R or L.SQB  
 SWEOS639 R or L.SQTB  
 SWEOS939 R or L  
 SWEOS939 R or L.SQT  
 SWEOS939 R or L.SQB  
 SWEOS939 R or L.SQTB  
 SWEOS1239 R or L  
 SWEOS1239 R or L.SQT  
 SWEOS1239 R or L.SQB  
 SWEOS1239 R or L.SQTB

- Specify R or L
- 5/8" wood veneer on sides and back
- 1 3/16" thick top and bottom shelves
- Painted hardwood supplied for EverCore® and Thermofoil
- Plain sawn material supplied for Crafted door styles
- Solid wood construction on shelves only
- Back Options (BEB and VGRB) unavailable



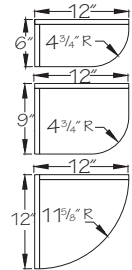
(3) 9 13/16" sections

33" High  
 SWEOS633 R or L  
 SWEOS633 R or L.SQT  
 SWEOS633 R or L.SQB  
 SWEOS633 R or L.SQTB  
 SWEOS933 R or L  
 SWEOS933 R or L.SQT  
 SWEOS933 R or L.SQB  
 SWEOS933 R or L.SQTB  
 SWEOS1233 R or L  
 SWEOS1233 R or L.SQT  
 SWEOS1233 R or L.SQB  
 SWEOS1233 R or L.SQTB

(4) 9 7/16" sections

42" High  
 SWEOS642 R or L  
 SWEOS642 R or L.SQT  
 SWEOS642 R or L.SQB  
 SWEOS642 R or L.SQTB  
 SWEOS942 R or L  
 SWEOS942 R or L.SQT  
 SWEOS942 R or L.SQB  
 SWEOS942 R or L.SQTB  
 SWEOS1242 R or L  
 SWEOS1242 R or L.SQT  
 SWEOS1242 R or L.SQB  
 SWEOS1242 R or L.SQTB

- Contrasting Back Options (CBEB, CPLB) unavailable
- Unavailable in High-Gloss Foil or Wood-Grain Foil door styles
- Quartersawn door styles are supplied plain sawn
- ☆ Shelves remain solid when APC option is chosen; sides and back will be 11/16" matching wood veneer plywood
- Sides and backs are finished on the exterior/exposed surfaces only, the opposite sides are unfinished



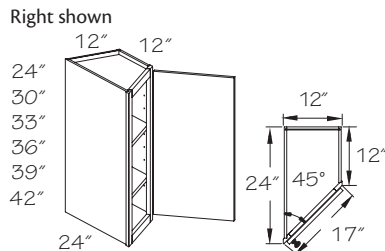
(4) 7 15/16" sections

36" High  
 SWEOS636 R or L  
 SWEOS636 R or L.SQT  
 SWEOS636 R or L.SQB  
 SWEOS636 R or L.SQTB  
 SWEOS936 R or L  
 SWEOS936 R or L.SQT  
 SWEOS936 R or L.SQB  
 SWEOS936 R or L.SQTB  
 SWEOS1236 R or L  
 SWEOS1236 R or L.SQT  
 SWEOS1236 R or L.SQB  
 SWEOS1236 R or L.SQTB

- ☆ (RD) available in 3" increments to a min. of 6"

PE
APC
APFC
FPEB
MI
DE
AD_E
CW
RD
ID
CH
XS
XSB
GD

### Wall End Angle



One shelf  
 WEA1224 R or L  
 Two shelves  
 WEA1230 R or L  
 WEA1233 R or L  
 Three shelves  
 WEA1236 R or L  
 WEA1239 R or L  
 WEA1242 R or L

- Specify R or L for single door hinging
- Designed to be a transition cabinet between a 12" deep wall cabinet and a 24" deep tall or Wall Refrigerator cabinet
- Adjustable shelves
- ☆ Min. (RD) is 18"
- ☆ (DE) available on 12" deep side only
- **Note:** Full overlay door styles use a 1/2" overlay hinge

PE
APC
APFC
FPEB
MI
DE
AD_E
CW
RD
ID
CH
XS
XSB
GD

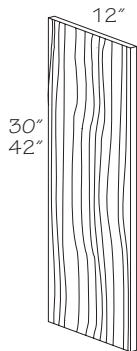
# Wall Panels

## Construction Options and Modifications

- ❖ Included as standard
- Available with an upcharge
- ☆ Available with exceptions
- (Blank) Unavailable

- PE Plywood Ends
- APC All Plywood Construction
- APFC All Plywood Furniture Construction
- FPEB Furniture Plywood Ends
- MI Matching Interior
- RD Reduced Depth
- ID Increased Depth
- CH Change Height

Material dimensions listed may vary slightly from actual dimensions of the product. Specifications subject to change without notice.



### Wall End Panel

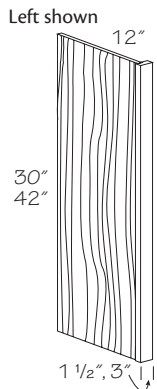
Laminate	Width x Height x Thickness
■ <b>VWEP30</b>	12" x 30" x 3/4"
■ <b>VWEP42</b>	12" x 42" x 3/4"

Wood Veneer	Width x Height x Thickness
※ <b>WWEP30</b>	12" x 30" x 13/16"
※ <b>WWEP42</b>	12" x 42" x 13/16"

- Quartersawn door styles are supplied plain sawn
- ※ Painted hardwood supplied for EverCore® and Thermofoil

- Edgembanded one long and two short edges
- Finished to match exterior both sides
- Wood Veneer Panels will have painted or stained hardwood supplied for Wood-Grain Foil door styles
- ☆ APC panel only available in wood veneer
- ☆ APC panel is 11/16" thick

●	PE
☆	APC
●	APFC
●	FPEB
●	MI
●	RD
●	ID
●	CH

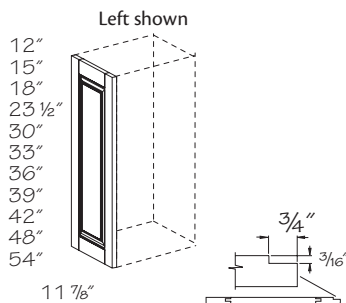


### Wall End Panel w/Stile

- WEP1 1/2.30**
- WEP3.30**
- WEP1 1/2.42**
- WEP3.42**

- Crafted door styles will be supplied in plain sawn wood
- Quartersawn door styles are supplied plain sawn
- Painted hardwood supplied for EverCore®
- Painted or Stained hardwood supplied for Wood-Grain Foil door styles
- Vinyl panels are edgembanded two short edges
- Exterior finished to match, interior is Natural Birch vinyl and machined to match a cabinet end panel
- Reversible, may be used on either right or left end

●	PE
●	APC
●	APFC
●	FPEB
●	MI
●	RD
●	ID
●	CH



### Matching Wall End Panel

- |                        |                    |
|------------------------|--------------------|
| □ <b>MWEP12 R or L</b> | Peninsula          |
| □ <b>MWEP15 R or L</b> | ■ □ <b>PMWEP12</b> |
| □ <b>MWEP18 R or L</b> | ■ <b>PMWEP15</b>   |
| □ <b>MWEP24 R or L</b> | ■ <b>PMWEP18</b>   |
| □ <b>MWEP30 R or L</b> | ■ <b>PMWEP24</b>   |
| □ <b>MWEP33 R or L</b> | ■ <b>PMWEP30</b>   |
| □ <b>MWEP36 R or L</b> | ■ <b>PMWEP33</b>   |
| □ <b>MWEP39 R or L</b> | ■ <b>PMWEP36</b>   |
| □ <b>MWEP42 R or L</b> | ■ <b>PMWEP39</b>   |
| ▲ <b>MWEP48 R or L</b> | ■ <b>PMWEP42</b>   |
| ▲ <b>MWEP54 R or L</b> |                    |

- (CH) option unavailable
- ▲ Available in full overlay door styles only
- Unavailable in Wood-Grain Foil door styles

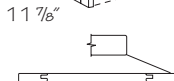
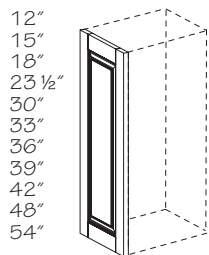
- Specify R or L
- 3/4" thick
- Inside of matching panel bottom rail will line up with inside bottom rail of door
- Thermofoil, mitered and slab door styles do **not** have grooves and will **not** fit flush against 1/2" end panel. A 3/16" shim is recommended
- Peninsula panel has routed door profile front and back
- Unavailable in High-Gloss Foil door styles
- Field install

●	PE
●	APC
●	APFC
●	FPEB
●	MI
●	RD
●	ID
☆	CH



When designing with Matching End Panels the reveal will differ from the cabinet door height reveal. Matching End Panels cover the entire side of the cabinet. See drawing for exact measurements





Will not fit flush against 1/2" end panel; a 3/16" shim is recommended

### Matching Wall End Panel - Square Edges

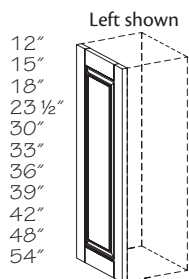
- MWEP12 S
- MWEP15 S
- MWEP18 S
- MWEP24 S
- MWEP30 S
- MWEP33 S
- MWEP36 S
- MWEP39 S
- MWEP42 S
- ▲ MWEP48 S
- ▲ MWEP54 S

- (CH) option unavailable
- ▲ Available in full overlay door styles only

- 3/4" thick panel with square edge front and back
- Inside of matching panel bottom rail will line up with inside bottom rail of door
- Reversible, may be used on either right or left end
- No frame recess dado
- Unavailable in High-Gloss Foil, Thermofoil or Wood-Grain Foil door styles
- Unavailable in mitered door styles
- Field install

PE
APC
APFC
FPEB
MI
RD
ID
☆ CH

### Furniture Matching Wall End Panel



- FMWEP12 R or L
- FMWEP15 R or L
- FMWEP18 R or L
- FMWEP24 R or L
- FMWEP30 R or L
- FMWEP33 R or L
- FMWEP36 R or L
- FMWEP39 R or L
- FMWEP42 R or L
- ▲ FMWEP48 R or L
- ▲ FMWEP54 R or L

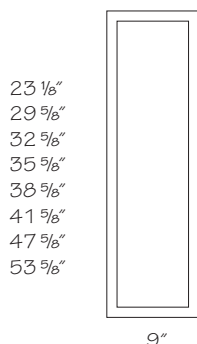
- Peninsula*
- FPMWEP12
  - FPMWEP15
  - FPMWEP18
  - FPMWEP24
  - FPMWEP30
  - FPMWEP33
  - FPMWEP36
  - FPMWEP39
  - FPMWEP42

- (CH) option unavailable
- ▲ Available in full overlay door styles only

- Specify R or L
- 3/4" thick
- Inside of matching panel bottom rail will line up with inside bottom rail of door
- Peninsula panel has routed door profile front and back
- For use with Furniture Plywood Ends-flush ends
- Unavailable in High-Gloss Foil or Wood-Grain Foil door styles
- Quartersawn door styles are supplied plain sawn
- Field install

PE
APC
APFC
FPEB
MI
RD
ID
☆ CH

### Overlay Panel for Wall Blind Corner Cabinets

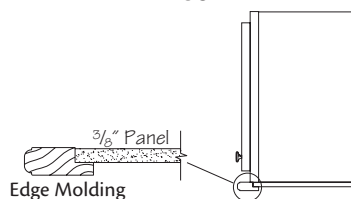
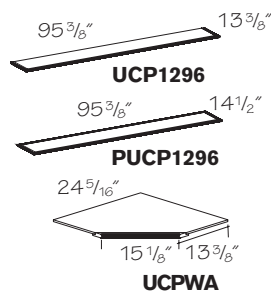


- OPWBC24
- OPWBC30
- OPWBC33
- OPWBC36
- OPWBC39
- OPWBC42
- OPWBC48
- OPWBC54

- Available in full overlay door styles only
- Overlay Panel has routed door profile and is made from the same material as doors and drawer fronts
- Field miter

PE
APC
APFC
FPEB
MI
RD
ID
CH

### Under Cabinet Panels



- PUCP1296
- UCP1296
- UCPWA

- 3/8" panel with matching vinyl sides and applied solid wood edge molding
- APC Upgrade: 3/8" plywood panel finished on the bottom side. Top side will be unfinished, but will **not** be visible after installation
- Cabinet Panel Edge molding may be ordered separately
- Painted hardwood supplied for EverCore®
- Painted or Stained hardwood supplied for Wood-Grain Foil door styles
- Quartersawn door styles are supplied plain sawn

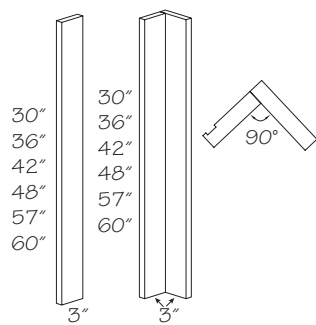


We recommend using Under Cabinet Panels on all wall cabinet runs. This will give the kitchen an elegant finished look. Unless ordered with a matching wood veneer interior option, the under side of wall cabinets are a natural birch material

PE
● APC
APFC
FPEB
MI
RD
ID
CH

# Wall Fillers

Material dimensions listed may vary slightly from actual dimensions of the product. Specifications subject to change without notice.



## Wall Filler

30" High  
**WF3.30**  
**WF6.30**  
36" High  
**WF3.36**  
42" High  
**WF3.42**  
**WF6.42**  
48" High  
**WF3.48**

57" High  
**WF3.57**  
**WF6.57**  
60" High  
**WF3.60**  
**WF6.60**  
30" High  
**WF3X3.30**  
42" High  
**WF3X3.42**

- 3/4" thick solid wood
- Finished one side only
- Filler overlay has routed door profile and is made from the same material as doors and drawer fronts
- Painted hardwood supplied for EverCore® and Thermofoil
- Painted or Stained hardwood supplied for Wood-Grain Foil door styles



Remember to use fillers with full overlay door styles, especially square edge profiles, when cabinets will be against a return wall, box, pilaster or column. Use fillers on all overlays if there is case molding on a return wall. This will ensure proper clearance for drawers and roll-out tray access.

## Wall Filler Overlay

11 5/8"  
14 5/8"  
17 5/8"  
20 5/8"  
23 5/8"  
26 5/8"  
29 5/8"  
32 5/8"  
35 5/8"  
38 5/8"  
41 5/8"  
47 5/8"  
53 5/8"  
56 5/8"  
59 5/8"

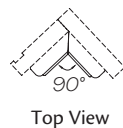
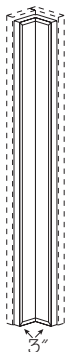


3" Wide  
**WFOL3.12**  
**WFOL3.15**  
**WFOL3.18**  
**WFOL3.21**  
**WFOL3.24**  
**WFOL3.27**  
**WFOL3.30**  
**WFOL3.33**  
**WFOL3.36**  
**WFOL3.39**  
**WFOL3.42**  
\* **WFOL3.48**  
\* **WFOL3.54**  
**WFOL3.57**  
**WFOL3.60**  
▲ **WFOL3X3.30**  
▲ **WFOL3X3.33**  
▲ **WFOL3X3.36**  
▲ **WFOL3X3.39**  
▲ **WFOL3X3.42**  
**WFOL3.48.FH**  
**WFOL3.54.FH**

6" Wide  
**WFOL6.12**  
**WFOL6.15**  
**WFOL6.18**  
**WFOL6.21**  
**WFOL6.24**  
**WFOL6.27**  
**WFOL6.30**  
**WFOL6.33**  
**WFOL6.36**  
**WFOL6.39**  
**WFOL6.42**  
\* **WFOL6.48**  
\* **WFOL6.54**  
**WFOL6.57**  
**WFOL6.60**  
**WFOL6.48.FH**  
**WFOL6.54.FH**

- Available in full overlay door styles only
- Available in High-Gloss Foils finish except in 3X3 models
- Filler overlay has routed door profile and is made from the same material as doors and drawer fronts
- Quartersawn Oak door styles are 3/4" quartersawn wood with matching door profile on all sides. Quartersawn Cherry and Maple door styles are quartersawn wood veneer
- Filler ordered separately
- Consider using Custom Filler Overlay option in applications that require (CW)

11 5/8"  
14 5/8"  
17 5/8"  
20 5/8"  
23 5/8"  
26 5/8"  
29 5/8"  
32 5/8"  
35 5/8"  
38 5/8"  
41 5/8"  
47 5/8"  
53 5/8"  
56 5/8"  
59 5/8"



Top View

- \* Two pieces
- ▲ Shipped as two pieces in Thermofoil and Wood-Grain Foil door styles; field trim and miter

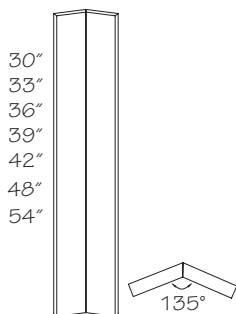
**Custom Filler Overlay**  
**CFOL**

• Slab design only



Matching Outside Profile			
Min. Width	Max. Width	Min. Height	Max. Height
2 5/8"	8"	6"	96"

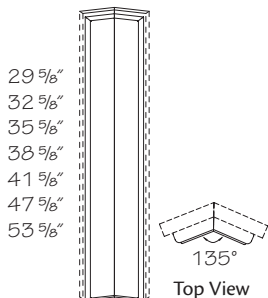
**Wall Inside Corner Angle Filler**



**ICAF30**  
**ICAF33**  
**ICAF36**  
**ICAF39**  
**ICAF42**  
**ICAF48**  
**ICAF54**

- 3/4" thick solid wood
- Crafted door styles will be supplied in plain sawn wood
- Quartersawn door styles are supplied plain sawn
- Painted hardwood supplied for EverCore®
- Painted or Stained hardwood supplied for Wood-Grain Foil door styles
- Finished one side only
- Unavailable in Thermofoil door styles

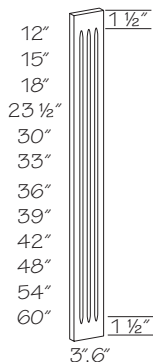
**Wall Inside Corner Angle Filler Overlay**



**ICAFOL30**  
**ICAFOL33**  
**ICAFOL36**  
**ICAFOL39**  
**ICAFOL42**  
**ICAFOL48**  
**ICAFOL54**

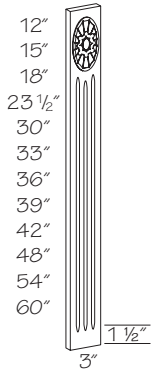
- Available in full overlay door styles only
- Filler overlay has routed door profile and is made from the same material as doors and drawer fronts
- Filler ordered separately
- Shipped as two pieces
- Unavailable in Thermofoil door styles

**Wall Fluted Filler**



<i>3" Wide</i>	<i>6" Wide</i>
<b>WFF3.12</b>	<b>WFF6.12</b>
<b>WFF3.15</b>	<b>WFF6.15</b>
<b>WFF3.18</b>	<b>WFF6.18</b>
<b>WFF3.24</b>	<b>WFF6.24</b>
<b>WFF3.30</b>	<b>WFF6.30</b>
<b>WFF3.33</b>	<b>WFF6.33</b>
<b>WFF3.36</b>	<b>WFF6.36</b>
<b>WFF3.39</b>	<b>WFF6.39</b>
<b>WFF3.42</b>	<b>WFF6.42</b>
<b>WFF3.48</b>	<b>WFF6.48</b>
<b>WFF3.54</b>	<b>WFF6.54</b>
<b>WFF3.60</b>	<b>WFF6.60</b>

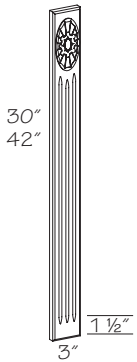
- 3/4" thick solid wood
- Trimmable 5/8" each side
- Quartersawn door styles are supplied plain sawn
- Painted hardwood supplied for EverCore® and Thermofoil
- Painted or Stained hardwood supplied for Wood-Grain Foil door styles



**Rosette Wall Fluted Filler**

- RWFF3.12**
- RWFF3.15**
- RWFF3.18**
- RWFF3.24**
- RWFF3.30**
- RWFF3.33**
- RWFF3.36**
- RWFF3.39**
- RWFF3.42**
- RWFF3.48**
- RWFF3.54**
- RWFF3.60**

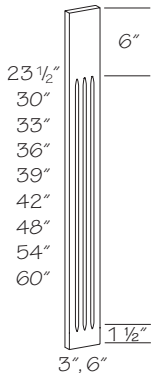
- 3/4" thick solid wood
- Applied decorative rosette
- Painted hardwood supplied for EverCore® and Thermofoil
- Quartersawn door styles are supplied plain sawn
- Unavailable in Rustic Alder door styles
- Unavailable in Wood-Grain Foil door styles



**Rosette Wall Fluted Filler Overlay**

- RFWFOL3.30**
- RFWFOL3.42**

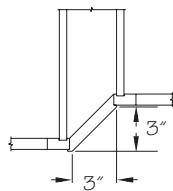
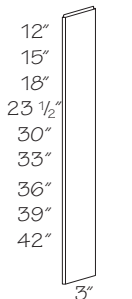
- 3/4" thick solid wood
- Applied decorative rosette
- Quartersawn door styles are supplied plain sawn
- Painted hardwood supplied for EverCore® and Thermofoil
- Unavailable in Rustic Alder door styles
- Unavailable in Wood-Grain Foil door styles



**Plain Capital Wall Fluted Filler**

- PCWFF3.24**
- PCWFF6.24**
- PCWFF3.30**
- PCWFF6.30**
- PCWFF3.33**
- PCWFF6.33**
- PCWFF3.36**
- PCWFF6.36**
- PCWFF3.39**
- PCWFF6.39**
- PCWFF3.42**
- PCWFF6.42**
- PCWFF3.48**
- PCWFF6.48**
- PCWFF3.54**
- PCWFF6.54**
- PCWFF3.60**
- PCWFF6.60**

- 3/4" thick solid wood
- Trimmable 5/8" each side
- Quartersawn door styles are supplied plain sawn
- Painted hardwood supplied for EverCore® and Thermofoil
- Painted or Stained hardwood supplied for Wood-Grain Foil door styles



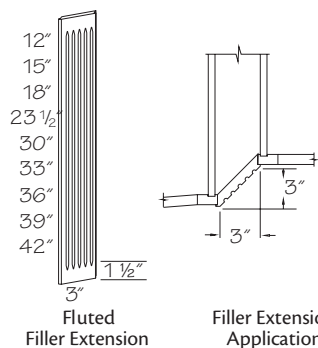
**Filler Extension**

- FE3.12**
- FE3.15**
- FE3.18**
- FE3.24**
- FE3.30**
- FE3.33**
- FE3.36**
- FE3.39**
- FE3.42**

- 3/4" thick solid wood
- Crafted door styles will be supplied in plain sawn wood
- Quartersawn door styles are supplied plain sawn
- Painted hardwood supplied for EverCore® and Thermofoil
- Painted or Stained hardwood supplied for Wood-Grain Foil door styles

Filler Extension

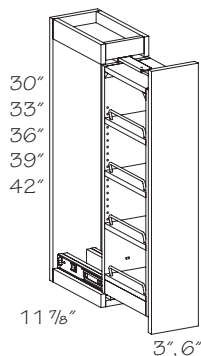
Filler Extension Application



### Fluted Filler Extension

- FFE3.12**
- FFE3.15**
- FFE3.18**
- FFE3.24**
- FFE3.30**
- FFE3.33**
- FFE3.36**
- FFE3.39**
- FFE3.42**

- 3/4\" thick solid wood
- Painted hardwood supplied for EverCore® and Thermofoil
- Painted or Stained hardwood supplied for Wood-Grain Foil door styles
- Quartersawn door styles are supplied plain sawn



### Wall Filler Pull-out

Three adjustable shelves

- 30\" High
- WFP3.30** 2 1/8\" shelf width
- WFP6.30** 5 1/8\" shelf width

Three adjustable shelves

- 33\" High
- WFP3.33** 2 1/8\" shelf width
- WFP6.33** 5 1/8\" shelf width

Four adjustable shelves

- 36\" High
- WFP3.36** 2 1/8\" shelf width
- WFP6.36** 5 1/8\" shelf width

Four adjustable shelves

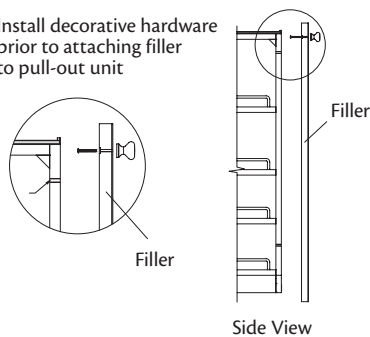
- 39\" High
- WFP3.39** 2 1/8\" shelf width
- WFP6.39** 5 1/8\" shelf width

Five adjustable shelves

- 42\" High
- WFP3.42** 2 1/8\" shelf width
- WFP6.42** 5 1/8\" shelf width

- Crafted door styles will be supplied in plain sawn wood
- Quartersawn door styles are supplied plain sawn
- Painted hardwood supplied for EverCore®
- Painted or Stained hardwood supplied for Wood-Grain Foil door styles
- Unit slides on full extension side-mount runners
- Recommended installation is between two cabinets
- Installation may also be made between a cabinet and a wall or a cabinet and an end panel with stile
- Filler is included, but unattached. Unit should be installed before removing shipping brace and attaching filler
- A filler overlay is recommended for full overlay door styles; order separately

Install decorative hardware prior to attaching filler to pull-out unit



Filler pullouts need to be installed between two cabinets or a cabinet and an end panel; unable to use at the end of cabinet runs or next to appliances

# Valances

## Construction Options and Modifications

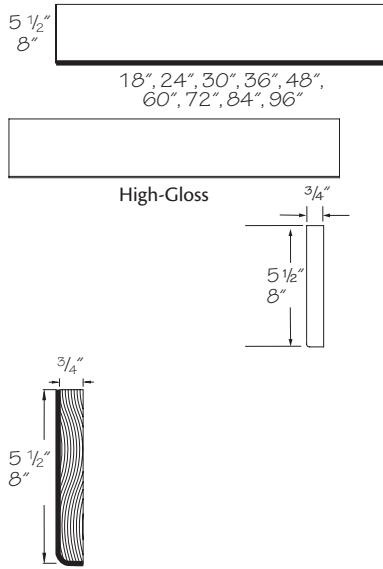
- ❖ Included as standard
- Available with an upcharge
- ☆ Available with exceptions
- (Blank) Unavailable

- A Alder
- C Cherry
- E EverCore®
- H Hickory
- TH Thermofoil
- HG High-Gloss Foil
- WG Wood-Grain Foil
- M Maple
- O Oak
- QS Quartersawn

Valance backs are unfinished. All components ordered in quartersawn door styles will be supplied as plain sawn.

Material dimensions listed may vary slightly from actual dimensions of the product. Specifications subject to change without notice.

### Valance Contemporary

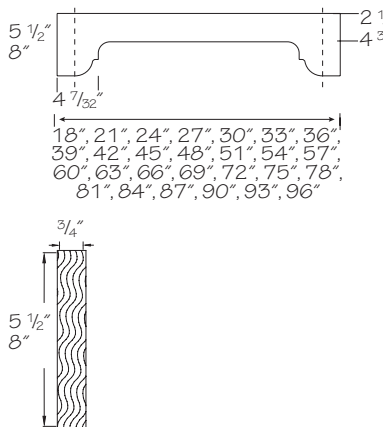


- |                    |                |
|--------------------|----------------|
| <i>5 1/2" high</i> | <i>8" high</i> |
| <b>V18 C</b>       | <b>V1808 C</b> |
| <b>V24 C</b>       | <b>V2408 C</b> |
| <b>V30 C</b>       | <b>V3008 C</b> |
| <b>V36 C</b>       | <b>V3608 C</b> |
| <b>V48 C</b>       | <b>V4808 C</b> |
| <b>V60 C</b>       | <b>V6008 C</b> |
| <b>V72 C</b>       | <b>V7208 C</b> |
| <b>V84 C</b>       | <b>V8408 C</b> |
| <b>V96 C</b>       | <b>V9608 C</b> |

- 3/4" thick solid wood
- Painted hardwood supplied for EverCore® and Thermofoil
- Foil-wrapped MDF supplied for Wood-Grain Foil door styles
- Trimmable in field

❖	A
❖	C
❖	E
❖	H
❖	TH
	HG
❖	WG
❖	M
❖	O
❖	QS

### Valance Corbel

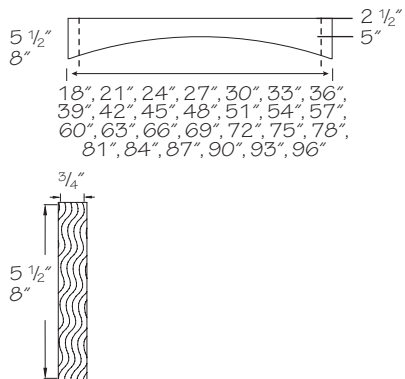


- |                    |                 |
|--------------------|-----------------|
| <i>5 1/2" high</i> | <i>8" high</i>  |
| <b>V18 CB</b>      | <b>V1808 CB</b> |
| <b>V21 CB</b>      | <b>V2108 CB</b> |
| <b>V24 CB</b>      | <b>V2408 CB</b> |
| <b>V27 CB</b>      | <b>V2708 CB</b> |
| <b>V30 CB</b>      | <b>V3008 CB</b> |
| <b>V33 CB</b>      | <b>V3308 CB</b> |
| <b>V36 CB</b>      | <b>V3608 CB</b> |
| <b>V39 CB</b>      | <b>V3908 CB</b> |
| <b>V42 CB</b>      | <b>V4208 CB</b> |
| <b>V45 CB</b>      | <b>V4508 CB</b> |
| <b>V48 CB</b>      | <b>V4808 CB</b> |
| <b>V51 CB</b>      | <b>V5108 CB</b> |
| <b>V54 CB</b>      | <b>V5408 CB</b> |
| <b>V57 CB</b>      | <b>V5708 CB</b> |
| <b>V60 CB</b>      | <b>V6008 CB</b> |
| <b>V63 CB</b>      | <b>V6308 CB</b> |
| <b>V66 CB</b>      | <b>V6608 CB</b> |
| <b>V69 CB</b>      | <b>V6908 CB</b> |
| <b>V72 CB</b>      | <b>V7208 CB</b> |
| <b>V75 CB</b>      | <b>V7508 CB</b> |
| <b>V78 CB</b>      | <b>V7808 CB</b> |
| <b>V81 CB</b>      | <b>V8108 CB</b> |
| <b>V84 CB</b>      | <b>V8408 CB</b> |
| <b>V87 CB</b>      | <b>V8708 CB</b> |
| <b>V90 CB</b>      | <b>V9008 CB</b> |
| <b>V93 CB</b>      | <b>V9308 CB</b> |
| <b>V96 CB</b>      | <b>V9608 CB</b> |

- 3/4" thick solid wood
- Can be field trimmed 1 1/2" each end
- Painted hardwood supplied for EverCore® and Thermofoil
- Painted or Stained hardwood supplied for Wood-Grain Foil door styles

❖	A
❖	C
❖	E
❖	H
❖	TH
	HG
❖	WG
❖	M
❖	O
❖	QS

**Valance Cove**

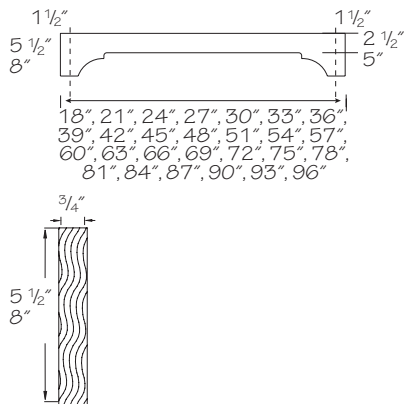


- |               |                 |
|---------------|-----------------|
| 5 1/2" high   | 8" high         |
| <b>V18 CV</b> | <b>V1808 CV</b> |
| <b>V21 CV</b> | <b>V2108 CV</b> |
| <b>V24 CV</b> | <b>V2408 CV</b> |
| <b>V27 CV</b> | <b>V2708 CV</b> |
| <b>V30 CV</b> | <b>V3008 CV</b> |
| <b>V33 CV</b> | <b>V3308 CV</b> |
| <b>V36 CV</b> | <b>V3608 CV</b> |
| <b>V39 CV</b> | <b>V3908 CV</b> |
| <b>V42 CV</b> | <b>V4208 CV</b> |
| <b>V45 CV</b> | <b>V4508 CV</b> |
| <b>V48 CV</b> | <b>V4808 CV</b> |
| <b>V51 CV</b> | <b>V5108 CV</b> |
| <b>V54 CV</b> | <b>V5408 CV</b> |
| <b>V57 CV</b> | <b>V5708 CV</b> |
| <b>V60 CV</b> | <b>V6008 CV</b> |
| <b>V63 CV</b> | <b>V6308 CV</b> |
| <b>V66 CV</b> | <b>V6608 CV</b> |
| <b>V69 CV</b> | <b>V6908 CV</b> |
| <b>V72 CV</b> | <b>V7208 CV</b> |
| <b>V75 CV</b> | <b>V7508 CV</b> |
| <b>V78 CV</b> | <b>V7808 CV</b> |
| <b>V81 CV</b> | <b>V8108 CV</b> |
| <b>V84 CV</b> | <b>V8408 CV</b> |
| <b>V87 CV</b> | <b>V8708 CV</b> |
| <b>V90 CV</b> | <b>V9008 CV</b> |
| <b>V93 CV</b> | <b>V9308 CV</b> |
| <b>V96 CV</b> | <b>V9608 CV</b> |

- 3/4" thick solid wood
- Painted hardwood supplied for EverCore® and Thermofoil
- Painted or Stained hardwood supplied for Wood-Grain Foil door styles
- Can be trimmed in field 1 1/2" each end, but will compromise design by reducing height

❖	A
❖	C
❖	E
❖	H
❖	TH
❖	HG
❖	WG
❖	M
❖	O
❖	QS

**Valance Crown**

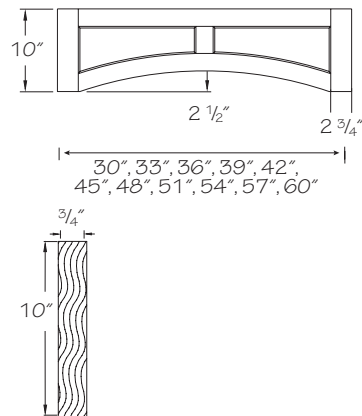


- |               |                 |
|---------------|-----------------|
| 5 1/2" high   | 8" high         |
| <b>V18 CR</b> | <b>V1808 CR</b> |
| <b>V21 CR</b> | <b>V2108 CR</b> |
| <b>V24 CR</b> | <b>V2408 CR</b> |
| <b>V27 CR</b> | <b>V2708 CR</b> |
| <b>V30 CR</b> | <b>V3008 CR</b> |
| <b>V33 CR</b> | <b>V3308 CR</b> |
| <b>V36 CR</b> | <b>V3608 CR</b> |
| <b>V39 CR</b> | <b>V3908 CR</b> |
| <b>V42 CR</b> | <b>V4208 CR</b> |
| <b>V45 CR</b> | <b>V4508 CR</b> |
| <b>V48 CR</b> | <b>V4808 CR</b> |
| <b>V51 CR</b> | <b>V5108 CR</b> |
| <b>V54 CR</b> | <b>V5408 CR</b> |
| <b>V57 CR</b> | <b>V5708 CR</b> |
| <b>V60 CR</b> | <b>V6008 CR</b> |
| <b>V63 CR</b> | <b>V6308 CR</b> |
| <b>V66 CR</b> | <b>V6608 CR</b> |
| <b>V69 CR</b> | <b>V6908 CR</b> |
| <b>V72 CR</b> | <b>V7208 CR</b> |
| <b>V75 CR</b> | <b>V7508 CR</b> |
| <b>V78 CR</b> | <b>V7808 CR</b> |
| <b>V81 CR</b> | <b>V8108 CR</b> |
| <b>V84 CR</b> | <b>V8408 CR</b> |
| <b>V87 CR</b> | <b>V8708 CR</b> |
| <b>V90 CR</b> | <b>V9008 CR</b> |
| <b>V93 CR</b> | <b>V9308 CR</b> |
| <b>V96 CR</b> | <b>V9608 CR</b> |

- 3/4" thick solid wood
- Painted hardwood supplied for EverCore® and Thermofoil
- Painted or Stained hardwood supplied for Wood-Grain Foil door styles
- Can be field trimmed 1 1/2" each end

❖	A
❖	C
❖	E
❖	H
❖	TH
❖	HG
❖	WG
❖	M
❖	O
❖	QS

**Valance Flat Panel**



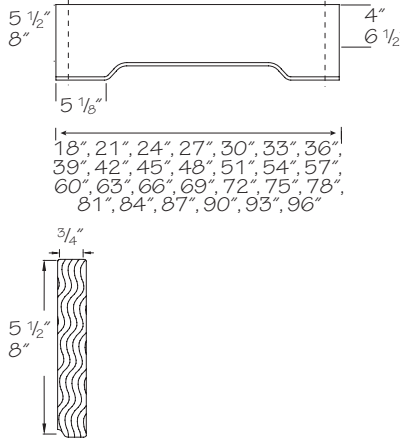
- |               |
|---------------|
| <b>V30 FP</b> |
| <b>V33 FP</b> |
| <b>V36 FP</b> |
| <b>V39 FP</b> |
| <b>V42 FP</b> |
| <b>V45 FP</b> |
| <b>V48 FP</b> |
| <b>V51 FP</b> |
| <b>V54 FP</b> |
| <b>V57 FP</b> |
| <b>V60 FP</b> |

Grey color coding indicates new product, size or code.

- 3/4" thick solid wood
- Unable to be trimmed
- Painted hardwood supplied for EverCore® and Thermofoil
- Painted or Stained hardwood supplied for Wood-Grain Foil door styles
- Unavailable in Crafted door styles
- Quartersawn door styles are supplied plain sawn
- Rustic material is **not** supplied when ordered in applicable rustic door styles

❖	A
❖	C
❖	E
❖	H
❖	TH
❖	HG
❖	WG
❖	M
❖	O
❖	QS

**Valance Furniture**

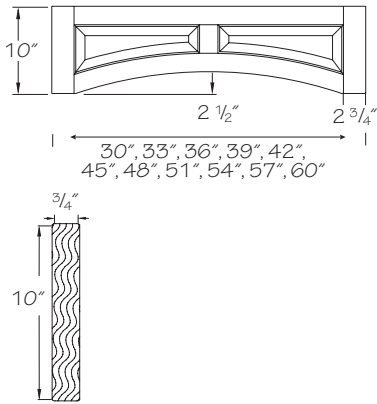


- |              |                |
|--------------|----------------|
| 5 1/2" high  | 8" high        |
| <b>V18 F</b> | <b>V1808 F</b> |
| <b>V21 F</b> | <b>V2108 F</b> |
| <b>V24 F</b> | <b>V2408 F</b> |
| <b>V27 F</b> | <b>V2708 F</b> |
| <b>V30 F</b> | <b>V3008 F</b> |
| <b>V33 F</b> | <b>V3308 F</b> |
| <b>V36 F</b> | <b>V3608 F</b> |
| <b>V39 F</b> | <b>V3908 F</b> |
| <b>V42 F</b> | <b>V4208 F</b> |
| <b>V45 F</b> | <b>V4508 F</b> |
| <b>V48 F</b> | <b>V4808 F</b> |
| <b>V51 F</b> | <b>V5108 F</b> |
| <b>V54 F</b> | <b>V5408 F</b> |
| <b>V57 F</b> | <b>V5708 F</b> |
| <b>V60 F</b> | <b>V6008 F</b> |
| <b>V63 F</b> | <b>V6308 F</b> |
| <b>V66 F</b> | <b>V6608 F</b> |
| <b>V69 F</b> | <b>V6908 F</b> |
| <b>V72 F</b> | <b>V7208 F</b> |
| <b>V75 F</b> | <b>V7508 F</b> |
| <b>V78 F</b> | <b>V7808 F</b> |
| <b>V81 F</b> | <b>V8108 F</b> |
| <b>V84 F</b> | <b>V8408 F</b> |
| <b>V87 F</b> | <b>V8708 F</b> |
| <b>V90 F</b> | <b>V9008 F</b> |
| <b>V93 F</b> | <b>V9308 F</b> |
| <b>V96 F</b> | <b>V9608 F</b> |

- 3/4" thick solid wood
- Painted hardwood supplied for EverCore® and Thermofoil
- Painted or Stained hardwood supplied for Wood-Grain Foil door styles
- Can be field trimmed 1 1/2" each end

❖	A
❖	C
❖	E
❖	H
❖	TH
	HG
❖	WG
❖	M
❖	O
❖	QS

**Valance Raised Panel**



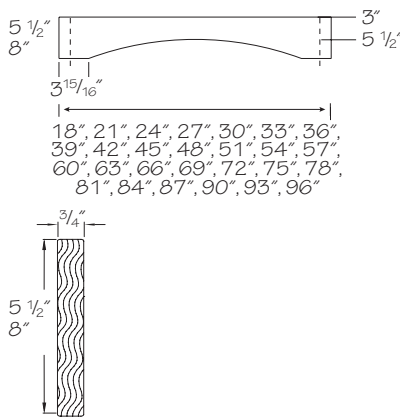
- |               |
|---------------|
| <b>V30 RP</b> |
| <b>V33 RP</b> |
| <b>V36 RP</b> |
| <b>V39 RP</b> |
| <b>V42 RP</b> |
| <b>V45 RP</b> |
| <b>V48 RP</b> |
| <b>V51 RP</b> |
| <b>V54 RP</b> |
| <b>V57 RP</b> |
| <b>V60 RP</b> |

Grey color coding indicates new product, size or code.

- 3/4" thick solid wood
- Unable to be trimmed
- Painted hardwood supplied for EverCore® and Thermofoil
- Painted or Stained hardwood supplied for Wood-Grain Foil door styles
- Unavailable in Crafted door styles
- Quartersawn door styles are supplied plain sawn
- Rustic material is **not** supplied when ordered in applicable rustic door styles

❖	A
❖	C
❖	E
❖	H
❖	TH
	HG
❖	WG
❖	M
❖	O
❖	QS

**Valance Shaker**

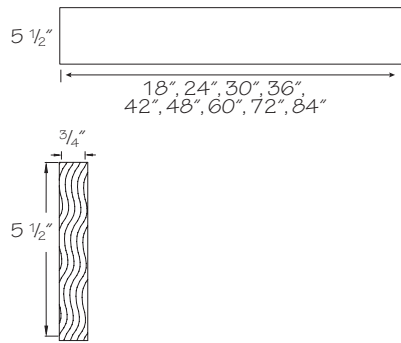


- |               |                 |
|---------------|-----------------|
| 5 1/2" high   | 8" high         |
| <b>V18 SH</b> | <b>V1808 SH</b> |
| <b>V21 SH</b> | <b>V2108 SH</b> |
| <b>V24 SH</b> | <b>V2408 SH</b> |
| <b>V27 SH</b> | <b>V2708 SH</b> |
| <b>V30 SH</b> | <b>V3008 SH</b> |
| <b>V33 SH</b> | <b>V3308 SH</b> |
| <b>V36 SH</b> | <b>V3608 SH</b> |
| <b>V39 SH</b> | <b>V3908 SH</b> |
| <b>V42 SH</b> | <b>V4208 SH</b> |
| <b>V45 SH</b> | <b>V4508 SH</b> |
| <b>V48 SH</b> | <b>V4808 SH</b> |
| <b>V51 SH</b> | <b>V5108 SH</b> |
| <b>V54 SH</b> | <b>V5408 SH</b> |
| <b>V57 SH</b> | <b>V5708 SH</b> |
| <b>V60 SH</b> | <b>V6008 SH</b> |
| <b>V63 SH</b> | <b>V6308 SH</b> |
| <b>V66 SH</b> | <b>V6608 SH</b> |
| <b>V69 SH</b> | <b>V6908 SH</b> |
| <b>V72 SH</b> | <b>V7208 SH</b> |
| <b>V75 SH</b> | <b>V7508 SH</b> |
| <b>V78 SH</b> | <b>V7808 SH</b> |
| <b>V81 SH</b> | <b>V8108 SH</b> |
| <b>V84 SH</b> | <b>V8408 SH</b> |
| <b>V87 SH</b> | <b>V8708 SH</b> |
| <b>V90 SH</b> | <b>V9008 SH</b> |
| <b>V93 SH</b> | <b>V9308 SH</b> |
| <b>V96 SH</b> | <b>V9608 SH</b> |

- 3/4" thick solid wood
- Can be field trimmed 1 1/2" each end
- Painted hardwood supplied for EverCore® and Thermofoil
- Painted or Stained hardwood supplied for Wood-Grain Foil door styles

❖	A
❖	C
❖	E
❖	H
❖	TH
	HG
❖	WG
❖	M
❖	O
❖	QS



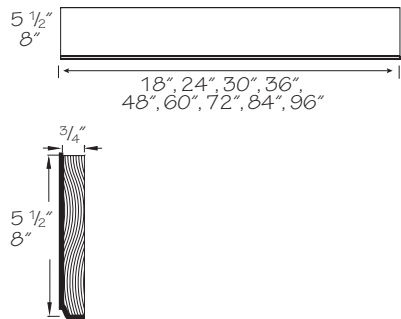


### Valance Straight

- V18 ST
- V24 ST
- V30 ST
- V36 ST
- V42 ST
- V48 ST
- V60 ST
- V72 ST
- V84 ST

- 3/4" thick solid wood
- Painted hardwood supplied for EverCore®
- Foil-wrapped MDF supplied for Wood-Grain Foil door styles
- Trimmable in field

❖	A
❖	C
❖	E
❖	H
	TH
	HG
❖	WG
❖	M
❖	O
❖	QS



### Valance Traditional

- 5 1/2" high
- V18 T
- V24 T
- V30 T
- V36 T
- V48 T
- V60 T
- V72 T
- V84 T
- V96 T

- 8" high
- V1808 T
- V2408 T
- V3008 T
- V3608 T
- V4808 T
- V6008 T
- V7208 T
- V8408 T
- V9608 T

- 3/4" thick solid wood
- Painted hardwood supplied for EverCore® and Thermofoil
- Painted or Stained hardwood supplied for Wood-Grain Foil door styles
- Trimmable in field
- Can be used as furniture valance

❖	A
❖	C
❖	E
❖	H
❖	TH
	HG
❖	WG
❖	M
❖	O
❖	QS

# Wall Decorative Accents

## Construction Options and Modifications

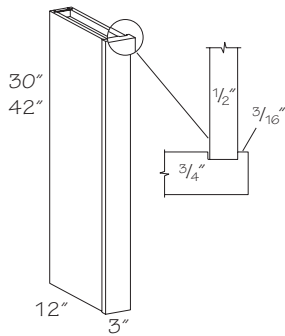
- ❖ Included as standard
- Available with an upcharge
- ☆ Available with exceptions
- (Blank) Unavailable

- PE Plywood Ends
- APC All Plywood Construction
- APFC All Plywood Furniture Construction
- FPEB Furniture Plywood Ends
- CW Change Width
- RD Reduced Depth
- ID Increased Depth
- CH Change Height

Material dimensions listed may vary slightly from actual dimensions of the product. Specifications subject to change without notice.

### Wall Box

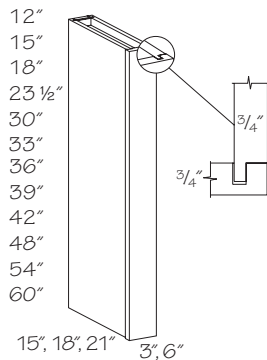
**WB3.30**  
**WB3.42**



- Finished front and both sides
- Reversible, may be used on either right or left end
- Crafted door styles will be supplied in plain sawn wood
- Painted hardwood supplied for EverCore®
- Quartersawn door styles are supplied plain sawn
- Painted hardwood supplied for Wood-Grain Foil door styles

- PE
- APC
- APFC
- FPEB
- CW
- RD
- ID
- CH

### Wall Column



*3" Wide*

- □ **WC31512**
- **WC31515**
- **WC31518**
- **WC31524**
- **WC31530**
- **WC31533**
- **WC31536**
- **WC31539**
- **WC31542**
- **WC31548**
- **WC31848**
- **WC32148**
- **WC31554**
- **WC31854**
- **WC32154**
- **WC31560**
- **WC31860**
- **WC32160**

*6" Wide*

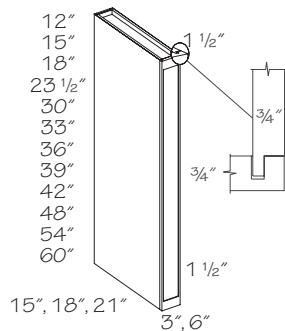
- **WC61512**
- **WC61515**
- **WC61518**
- **WC61524**
- **WC61530**
- **WC61533**
- **WC61536**
- **WC61539**
- **WC61542**
- **WC61548**
- **WC61554**
- **WC61560**

- Front is 3/4" solid wood
- Quartersawn Oak door styles have 3/4" solid quartersawn wood front and quartersawn wood veneer end panels
- Painted hardwood supplied for EverCore®
- Foil-wrapped MDF supplied for Wood-Grain Foil door styles on face frame only
- Plain sawn material supplied for Crafted door styles
- Finished front and both sides
- Reversible, may be used on either right or left end
- ☆ (APFC) standard when (APC) option is selected

- PE
- APC
- ☆ APFC
- ❖ FPEB
- ☆ CW
- RD
- ID
- ☆ CH

○ (CW) option unavailable  
□ (CH) option unavailable

### Sterling Wall Column



*3" Wide*

- STWC31512**
- STWC31515**
- STWC31518**
- STWC31524**
- STWC31530**
- STWC31533**
- STWC31536**
- STWC31539**
- STWC31542**
- STWC31548**
- STWC31848**
- STWC32148**
- STWC31554**
- STWC31854**
- STWC32154**
- STWC31560**
- STWC31860**
- STWC32160**

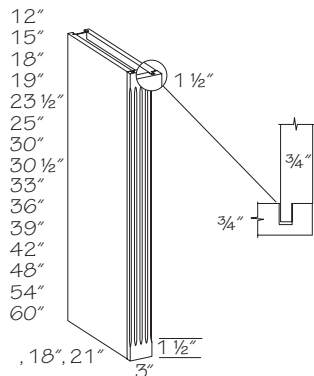
*6" Wide*

- STWC61512**
- STWC61515**
- STWC61518**
- STWC61524**
- STWC61530**
- STWC61533**
- STWC61536**
- STWC61539**
- STWC61542**
- STWC61548**
- STWC61554**
- STWC61560**

- Front is 3/4" solid wood
- Finished front and both sides
- Available in Rustic Alder, Cherry, EverCore®, Maple and White Wood-Grain Foil door styles only
- Painted hardwood supplied for Wood-Grain Foil door styles; only available in white
- Painted hardwood supplied for EverCore®
- Reversible, may be used on either right or left end
- ☆ (APFC) standard when (APC) option is selected

- PE
- APC
- ☆ APFC
- ❖ FPEB
- CW
- RD
- ID
- CH

### Wall Fluted Column



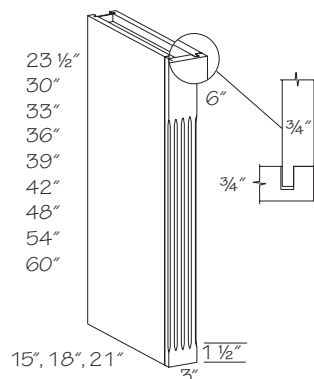
- 3" Wide
- WFC31512
  - WFC31515
  - WFC31518
  - WFC31819
  - WFC32119
  - WFC31524
  - WFC31825
  - WFC32125
  - WFC31530
  - WFC31831
  - WFC32131
  - WFC31533
  - WFC31536
  - WFC31539
  - WFC31542
  - WFC31548
  - WFC31848
  - WFC32148
  - WFC31554
  - WFC31854
  - WFC32154
  - WFC31560
  - WFC31860
  - WFC32160

□ (CH) option unavailable

- Fluted front is 3/4" solid wood; plain sawn wood supplied for quartersawn door styles
  - Reversible, may be used on either right or left end
  - Finished front and both sides
  - Quartersawn Oak door styles have quartersawn wood veneer end panels
  - Painted hardwood supplied for EverCore®
  - Painted or Stained hardwood supplied for Wood-Grain Foil door styles
- ☆ (APFC) standard when (APC) option is selected

PE	
●	APC
☆	APFC
❖	FPEB
●	CW
●	RD
●	ID
☆	CH

### Plain Capital Wall Fluted Column

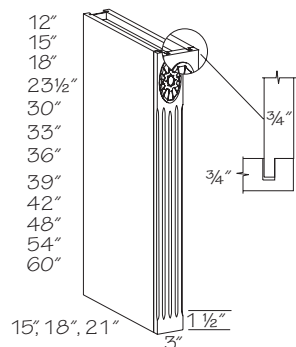


- PCWFC31524
- PCWFC31530
- PCWFC31533
- PCWFC31536
- PCWFC31539
- PCWFC31542
- PCWFC31548
- PCWFC31848
- PCWFC32148
- PCWFC31554
- PCWFC31854
- PCWFC32154
- PCWFC31560
- PCWFC31860
- PCWFC32160

- Fluted front is 3/4" solid wood; plain sawn wood supplied for quartersawn door styles
  - Quartersawn Oak door styles have quartersawn wood veneer end panels
  - Painted hardwood supplied for EverCore®
  - Painted or Stained hardwood supplied for Wood-Grain Foil door styles
  - Plain sawn material supplied for Crafted door styles
  - Finished front and both sides
  - Reversible, may be used on either right or left end
- ☆ (APFC) standard when (APC) option is selected

PE	
●	APC
☆	APFC
❖	FPEB
●	CW
●	RD
●	ID
●	CH

### Rosette Wall Fluted Column



- RWFC31512
- RWFC31515
- RWFC31518
- RWFC31524
- RWFC31530
- RWFC31533
- RWFC31536
- RWFC31539
- RWFC31542
- RWFC31548
- RWFC31848
- RWFC32148
- RWFC31554
- RWFC31854
- RWFC32154
- RWFC31560
- RWFC31860
- RWFC32160

□ (CH) option unavailable

- Fluted front is 3/4" solid wood; plain sawn wood supplied for quartersawn door styles
  - Applied decorative rosette
  - Quartersawn Oak door styles have quartersawn wood veneer end panels
  - Finished front and both sides
  - Reversible, may be used on either right or left end
  - Painted hardwood supplied for EverCore® and Thermofoil
  - Unavailable in Rustic Alder door styles
  - Unavailable in Wood-Grain Foil door styles
- ☆ (APFC) standard when (APC) option is selected

PE	
●	APC
☆	APFC
❖	FPEB
●	CW
●	RD
●	ID
☆	CH

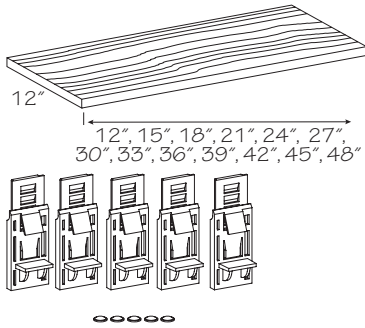
# Wall Shelving

## Construction Options and Modifications

- ❖ Included as standard
- Available with an upcharge
- ☆ Available with exceptions
- (Blank) Unavailable

- APC All Plywood Construction
- MI Matching Interior
- CW Change Width
- RD Reduced Depth
- ID Increased Depth

Material dimensions listed may vary slightly from actual dimensions of the product. Specifications subject to change without notice.



## Replacement Shelving w/Adjustable Shelf Clips

For 12" deep Wall

- **AWS1212**
- **AWS1512**
- **AWS1812**
- **AWS2112**
- **AWS2412**
- **AWS2712**
- **AWS3012**
- **AWS3312**
- **AWS3612**
- **AWS3912**
- **AWS4212**
- **AWS4512**
- **AWS4812**

For 12" deep Peninsula Wall

- **APWS1212**
- **APWS1512**
- **APWS1812**
- **APWS2112**
- **APWS2412**
- **APWS2712**
- **APWS3012**
- **APWS3312**
- **APWS3612**
- **APWS3912**
- **APWS4212**
- **APWS4512**
- **APWS4812**

- Unavailable in (ID)
- ▲ Unavailable in (ID) or (RD)
- (CW) option unavailable

For Wall Angle

- ▲ **AWAS21**
- **AWAS24**
- **AWAS27**

For Peninsula Wall Angle

- **APWAS24**

For Wall Easy Reach

- **AWEZRS24**
- **AWEZRS36**

For Peninsula Wall Easy Reach

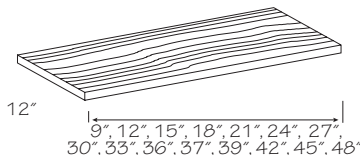
- **APWEZRS24**

- 3/4" interior vinyl two sides
- Edgebanded one long edge-two edges for peninsula
- Size fits interior of cabinet listed
- Includes one shelf
- Includes five adjustable shelf clips and five slip resistant pads
- Max. (ID) for peninsula wall shelving is 15"

●	APC
●	MI
☆	CW
☆	RD
☆	ID

Replacement Shelving - Walls

- APC
- MI
- ☆ CW
- ☆ RD
- ☆ ID



For 12" deep Wall

- **WS912**
- **WS1212**
- **WS1512**
- **WS1812**
- **WS2112**
- **WS2412**
- **WS2712**
- **WS3012**
- **WS3312**
- **WS3412**
- **WS3612**
- **WS3712**
- ◆ **WS3912**
- ◆ **WS4212**
- ◆ **WS4512**
- ◆ **WS4812**

For Wall Refrigerator

- **WRS1824**
- **WRS2124**
- **WRS2424**
- **WRS2724**
- **WRS3024**
- **WRS3324**
- **WRS3424**
- **WRS3624**
- **WRS3724**
- **WRS3924**

For 12" deep Peninsula Wall

- **PWS912**
- **PWS1212**
- **PWS1512**
- **PWS1812**
- **PWS2112**
- **PWS2412**
- **PWS2712**
- **PWS3012**
- **PWS3312**
- **PWS3612**
- ◆ **PWS3912**
- ◆ **PWS4212**
- ◆ **PWS4512**
- ◆ **PWS4812**

For Wall Angle

- **▲ WAS21**
- **WAS24**
- **WAS27**

For Peninsula Wall Angle

- **PWAS24**

For Wall Corner Angle

- **WCAS1212**

For Wall End Corner

- **WECS1212**

For Wall Easy Reach

- **WEZRS21**
- **WEZRS24**
- **WEZRS36**
- **WEZRS2421**

For Peninsula Wall Easy Reach

- **PWEZRS24**

For Wall Open Easy Reach

- **WOEZS924**
- **WOEZS1224**

For Wall Microwave

- **MWCS2718**
- **MWCS3018**
- **MWCS2721**
- **MWCS3021**

For Wall Multi-Storage Pantry

- **WMSPBS36**
- For Walls with Beaded or V-Groove backs
- ▲ **FCES30 .RDBO**
- **▲ WAS21 .RDBO**
- ▲ **WAS24 .RDBO**
- ▲ **WEZRS21 .RDBO**
- ▲ **WEZRS24 .RDBO**
- ▲ **WEZRS2421 .RDBO**
- ▲ **WEZRS36 .RDBO**
- **WRS2424 .RDBO**
- **WRS2724 .RDBO**
- **WRS3024 .RDBO**
- **WRS3324 .RDBO**
- **WRS3424 .RDBO**
- **WRS3624 .RDBO**
- **WRS3724 .RDBO**
- **WRS3924 .RDBO**
- **WS912 .RDBO**
- **WS1212 .RDBO**
- **WS1512 .RDBO**
- **WS1812 .RDBO**
- **WS2112 .RDBO**
- **WS2412 .RDBO**
- **WS2712 .RDBO**
- **WS3012 .RDBO**
- **WS3312 .RDBO**
- **WS3412 .RDBO**
- **WS3612 .RDBO**
- **WS3712 .RDBO**
- ◆ **WS3912 .RDBO**
- ◆ **WS4212 .RDBO**
- ◆ **WS4512 .RDBO**
- ◆ **WS4812 .RDBO**

For 135° Wall Inside Angle Corner Cabinet

- + **WIACS21**

For 135° Wall Outside Angle Corner Cabinet

- + **WOACS6**

For Operational End Option

- **WAS24 .OE**
- **WAS27 .OE**
- **WEZRS21 .OE**
- **WEZRS24 .OE**
- **WEZRS2421 .OE**
- **WS912 .OE**
- **WS1212 .OE**
- **WS1512 .OE**
- **WS1515 .OE**
- **WS1518 .OE**
- **WS1521 .OE**
- **WS1812 .OE**
- **WS1815 .OE**
- **WS1818 .OE**
- **WS1821 .OE**
- **WS2112 .OE**
- **WS2412 .OE**
- **WS2712 .OE**
- **WS3012 .OE**
- **WS3312 .OE**
- **WS3412 .OE**
- **WS3612 .OE**
- **WS3712 .OE**
- ◆ **WS3912 .OE**
- ◆ **WS4212 .OE**
- ◆ **WS4512 .OE**
- ◆ **WS4812 .OE**

For Integrated Wall Spice Shelf

- **WSIWS**

- (CW) option unavailable
- ◆ Unavailable in (ID)
- ▲ Unavailable in (ID) or (RD)
- + Unavailable with any options

- 3/4" interior vinyl two sides; 3/4" interior Plywood two sides on Beaded or V-Groove replacement shelving
- 3/4" interior vinyl two sides
- Edgebanded one long edge-two edges for peninsula
- Operational End Shelves (.OE) are edgebanded on the front, right and left edges to ensure a finished edge on shelves when the side door is open
- Size fits interior of cabinet listed
- Max. (ID) for peninsula wall shelving is 15"
- Max. (ID) for Wall Refrigerator shelving is 27"
- Includes one shelf
- Shelf clips are sold separately; see replacement hardware

# Wall Accessories

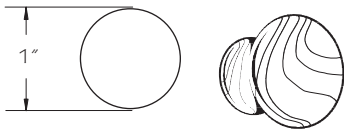
## Construction Options and Modifications

<b>PCWFC</b>	<b>3</b>	<b>24</b>	<b>15</b>
code	width	height	depth

- ❖ Included as standard
- Available with an upcharge
- ☆ Available with exceptions
- (Blank) Unavailable

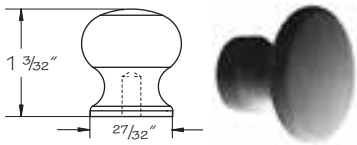
Material dimensions listed may vary slightly from actual dimensions of the product. Specifications subject to change without notice.

### Spice Drawer Cabinet Replacement Hardware



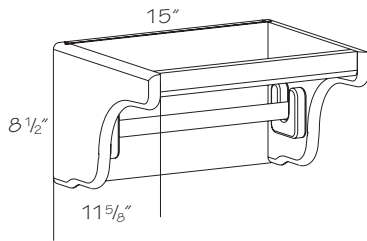
- 161** Maple
- 171** Cherry
- 181** Oak and Hickory
- 191** Alder
- 634** White

- Unavailable on whole kitchen orders; for replacements only
- Cherry supplied for Alder
- Unavailable in High-Gloss Foil or Wood-Grain Foil door styles



### Paper Towel Holder

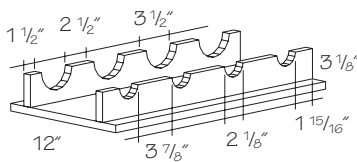
**PTH15**



- 4 7/8" shelf depth
- Solid wood/wood veneer construction
- Painted hardwood supplied for EverCore® and Thermofoil
- Quartersawn door styles are supplied plain sawn

### Wine Shelf

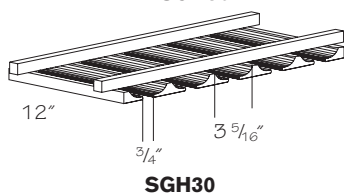
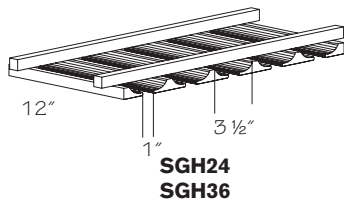
- WS24** 4 Bottles
- WS30** 5 Bottles
- WS36** 6 Bottles



- Solid wood/wood veneer construction
- Edgebanded one long and two short edges
- May be trimmed in field
- Quartersawn door styles are supplied plain sawn
- Crafted door styles will be supplied in plain sawn wood
- Thermofoils are painted hardwood

### Stem Glass Holder

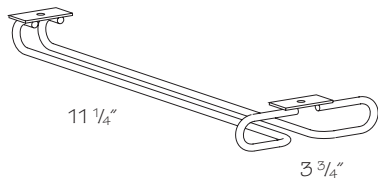
- SGH24** 5 Sections
- SGH30** 7 Sections
- SGH36** 8 Sections



- Solid wood
- Mounts to bottom of wall cabinet
- Can be cut to fit smaller cabinets
- Oak supplied for Hickory
- Painted hardwood supplied for EverCore® and Thermofoil
- High-Gloss finishes will be supplied as matching standard finish
- Quartersawn door styles are supplied plain sawn

### Wire Stem Glass Holder

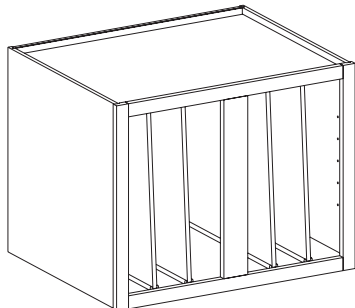
**WSGH .SC** Satin Chrome



- Mounts to underside of cabinet; 3/4" spacer or Under Cabinet Panel needed for proper installation
- Mounting screws included

### Tray Dividers – Wall

**1TD**  
**2TD**  
**3TD**  
**4TD**  
**5TD**  
**6TD**



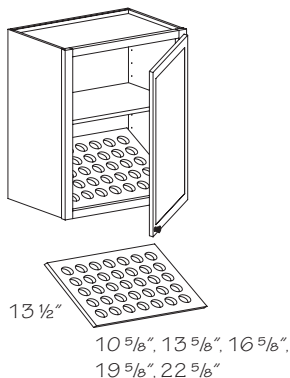
- Available factory installed for 24" deep wall refrigerator cabinets only
- Installed in wood or plastic U-channels
- Shelves are eliminated when this option is selected
- Specify quantity and location
- 1/2" natural Birch vinyl

### K-Cup® Shelf Kit

**KCSK12**  
**KCSK15**  
**KCSK18**  
**KCSK21**  
**KCSK24**

Holds 20 K-Cups®  
Holds 25 K-Cups®  
Holds 35 K-Cups®  
Holds 40 K-Cups®  
Holds 45 K-Cups®

- Available for 12" deep cabinets only
- Field install
- K-cup® is a registered trademark of Keurig Green Mountain, Inc.

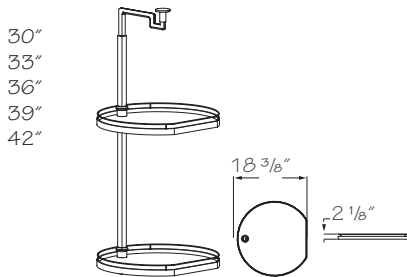


### Chrome Lazy Susan Kit for Wall Angle Cabinets

**LSKC30.33**  
**LSKC36.39**  
**LSKC42**

for 30" and 33" high  
for 36" and 39" high  
for 42" high

- 19 11/16" diameter rotating shelves
- Max. weight per shelf is 18 lbs.
- Shelves rotate together
- Shelves are wood grain melamine with chrome rails
- Designed for installation in a WA24\_\_ cabinet
- Field install



### Wood Lazy Susan Kit for Wall Angle Cabinets

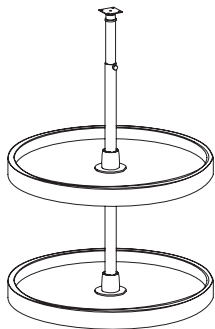
Two shelves  
**LSK18 .WLS**  
**LSK1833 .WLS**

for 30" high  
for 33" high

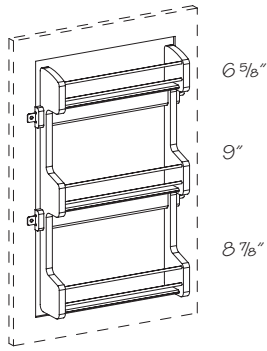
Three shelves  
**LSK1836 .WLS**  
**LSK1839 .WLS**  
**LSK1842 .WLS**

for 36" high  
for 39" high  
for 42" high

- 19 1/2" diameter rotating shelves
- Rotating shelves have wood floor and trim
- Designed for installation in a WA24\_\_ cabinet
- Field install



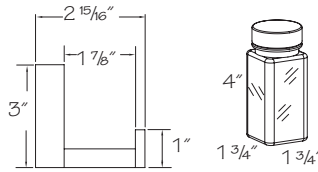
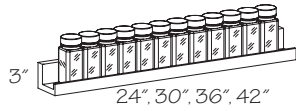
### Spice Rack Kit



<b>SRK15</b>	9 1/2" wide
<b>SRK18</b>	12 1/2" wide
<b>SRK21</b>	15 1/2" wide

- Rack is 3 1/8" deep
- Three fixed shelves, 2 1/8" deep
- Min. cabinet height 30"
- Includes mounting hardware
- Field install

### Spice Open Storage



<i>With Bottles</i>	
<b>SOS24</b>	12 spice bottles
<b>SOS30</b>	18 spice bottles
<b>SOS36</b>	18 spice bottles
<b>SOS42</b>	24 spice bottles

<i>Shelf Only</i>	
<b>SOSSO24</b>	
<b>SOSSO30</b>	
<b>SOSSO36</b>	
<b>SOSSO42</b>	

- Spice bottles are 4 oz. capacity, clear glass
- Satin metal lids
- Painted or Stained hardwood supplied for Wood-Grain Foil door styles
- **Note:** SOS30 is supplied with 18 spice bottles, 15 bottles will fit on the shelf. SOS42 is supplied with 24 spice bottles, 21 bottles will fit on the shelf

### Replacement Spice Bottle

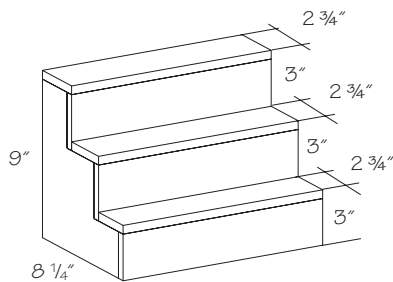
#### SPBTL



- Spice bottles are 4 oz. capacity, clear glass
- Satin metal lids
- Also used with the Spice Caddy (SPCDB or SPCD)
- Sold in quantities of 6

### Tiered Storage Shelf

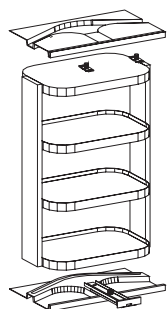
<b>TSS15</b>
<b>TSS18</b>
<b>TSS21</b>



- Solid wood
- Field install

### Reverse-A-Shelf Kit

<i>Three Shelves</i>	<i>Shelf clearance top to bottom</i>
<b>RSK2130</b>	6 1/16" – 7 1/16" – 6 11/16"
<b>RSK2136</b>	8 1/8" – 9 1/16" – 8 11/16"
<i>Four Shelves</i>	
<b>RSK2142</b>	7 3/16" – 8" – 8" – 7 5/8"



- Designed for installation in 21" wide wall cabinets
- Shelf assembly pivots 180° for full shelf access
- Vinyl laminated shelves with wood grain T-molding
- Includes mounting hardware
- Field install



# LED Lighting

## Construction Options and Modifications

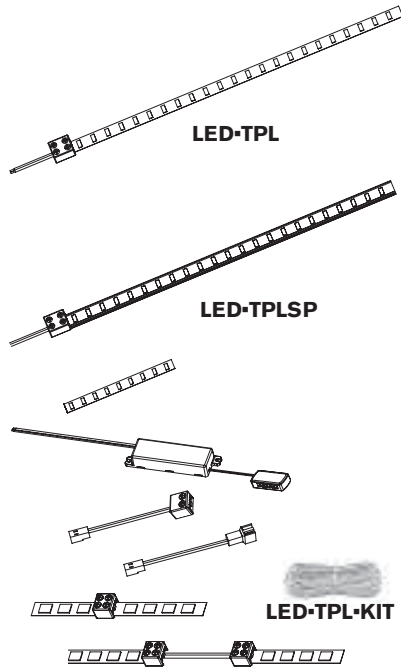
- ❖ Included as standard
- Available with an upcharge
- ☆ Available with exceptions
- (Blank) Unavailable

LED is an energy efficient source for kitchen and bath lighting needs.

Puck and strip lights have 3000K light color (warm white). All products are 24V DC power; all wires are white. Each LED light is tested at 50,000 hours of run time. LED products carry a limited warranty.

Specifications are subject to change without notice.

### LED Flexible Strip Tape Light



LED Flexible Strip Tape Light

**LED.TPL**

LED Flexible Strip Splash Proof Tape Light

**LED.TPLSP**

LED Flexible Strip Tape Light Kit

★ **LED.TPL.KIT**

★ Kit includes:

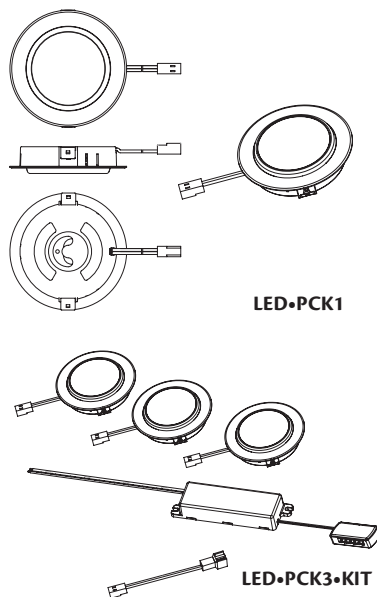
- (1) LED Flexible Strip Tape Light (LED.TPL), (1) DayBreak Dimmable Driver 40W (LED.DDR40), (2) 8' Power Cables (LED.PC), (2) 8' Power Extension Cables (LED.PEC8), (2) End-to-End Connectors (LED.ETEC), (3) Connector Kits for Wire Length (LED.CLC), and (1) Stranded Copper Wire (LED.SCW25)

- Standard LED flexible strip tape with self adhesive backing
- 16.4' long; 0.32" wide; ~0.15" tall; 300 diodes; 24W
- Warm white illumination
- 120° beam angle, 80 lumens per ft.
- (LED.PC) is required to connect strip tape lighting to a power supply. Strip tape lengths unable to exceed 16.4' out of a single power supply port. An additional (LED.PC) plugged into an unused power supply port is required for applications exceeding 16.4'. Make sure power supplies are **not** overloaded based on watt capacity
- For use under-cabinet, over-cabinet, toe kick and cabinet interiors
- Use LED.TPLSP for splash zones i.e. toe-kick space
- Custom lengths can be cut in increments of 2", **not** to exceed a total of 16.4'. Use (LED.ETEC) to join custom lengths
- Use Connector Kit for (LED.CLC) with (LED.SCW25) to navigate corners or other obstacles
- Use (LED.MSS) for controlling interior cabinet lighting
- Use (LED.PEC8) to increase distance between power supply and beginning of LED flexible strip run



Prior to installation, clean and prepare surface with an alcohol pad to remove oils

### LED Puck Light



**LED.PCK1**

★ **LED.PCK3.KIT**

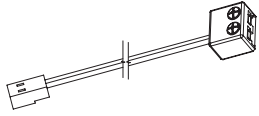
- ★ Kit includes: (3) LED Puck Lights (LED.PCK1), (1) DayBreak Dimmable Driver 40W (LED.DDR40), and (2) 8' Power Extension Cables (LED.PEC8)

- One light with 8' power cable; 3W
- Warm white illumination
- 194 lumens; 105° beam angle
- For surface mount or recess installation
- Units are 2 9/16" diameter. Requires 2 5/16" diameter circle cut out for recess installation
- Use (LED.PEC8) to extend the distance between lights and power supply



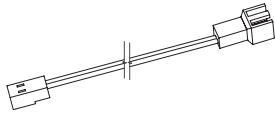
Under Cabinet Panels provide a clean, built-in look for under cabinet installation

### 8' Power Cable LED.PC



- Cable has male connector on one end and flexible strip connector on the other
- Used to start the flexible strip light run

### 8' Power Extension Cable LED.PEC8



- Cable has male connector on one end and female connector on the other
- Used to extend the distance between the power supply and the light source
- Several cables may be connected to extend the length if needed

### Connector Kit for Custom Wire Length LED.CLC



LED.CLC

- Contains two connectors
- For use when adding a cut-to-length wire section to navigate LED Flexible Strip Tape Lights around corners or obstacles

### End-to-End Connector LED.ETEC



LED.ETEC

- Connects two pieces of LED Flexible Strip Tape Lights end to end

### Stranded Copper Wire LED.SCW25

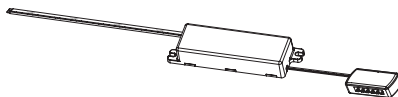
LED.SCW25



- Use with (LED.CLC) for custom wire length

### DayBreak Dimmable Driver 40 Watts LED.DDR40

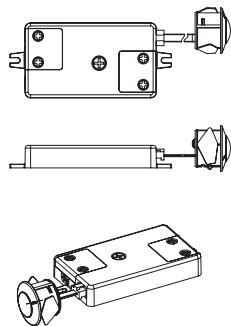
40 Watts  
LED.DDR40



- -24V DC; 40 W, 12 port connector block can be used for up to 40 total watts of lighting
- Requires electrical outlet or junction box to connect to power
- Converts 120V AC power to 24V DC power
- Can be used with most standard TRIAC wall dimmers. Verify compatibility with switch manufacturer's specifications
- Comes with a 5' long power cord and optional plug head

### Motion Sensor On/Off Switch

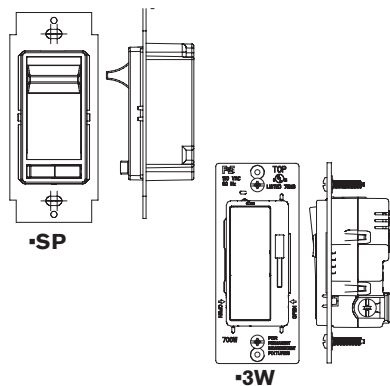
LED.MSS



- Medium range motion sensor ideal for interior cabinet installation. Lights are activated by motion of opening cabinet doors
- Includes 12-port connector block
- One switch can be used to activate lighting for single or double door cabinets
- Adjustable timer controls the length of time lights remain on; up to 6 minutes
- 5' long cable between sensor and controller
- Recess mount the sensor eye; requires a 20 mm hole

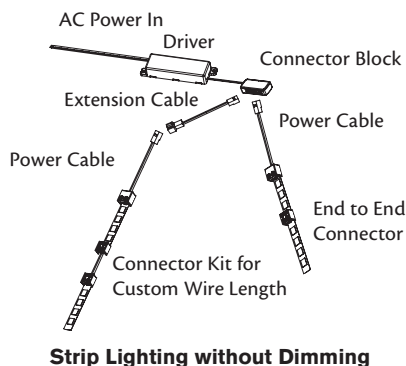
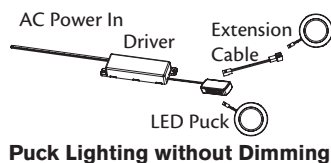
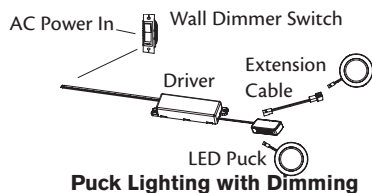
### Low Voltage LED Wall Dimmer Switch

LED.WDS.3W  
LED.WDS.SP



- White, wall dimmer switch for single gang box
- Functions as both an on/off and dimmer switch
- Use LED.WDS.3W for rooms with multiple entrances and switches
- Use LED.WDS.SP for rooms with a single entrance and switch
- Faceplate **not** included; purchase separately to match decor

### LED Connection Options



- KraftMaid® products are designed to give you the ultimate versatility in designing lighting solutions. The following examples show the use of puck lighting and strip lighting, along with the various accessories:
- The best power source for LED Lighting is called a driver. The patented technology in your driver allows it to be used as both a dimmable driver and a regular driver. The driver is powered by standard AC line voltage of 120VAC. The driver can be plugged into an outlet by using the plug head included or can be hardwired into a junction box
- Puck lights attach to the driver in a “hub and spoke” configuration. The driver has a 12-port connector block. Each light comes equipped with a 98” power lead. Should you require a longer power lead, use a power extension cord
- Each run of strip lights attach to the driver in a “hub and spoke” configuration. The driver has a 12-port connector block. Each series of strips require the use of one power cable. Should you require a longer power lead, use a power extension cable
- Connectors allow you to run more than one segment of LED strip from a single power cable. The End to End Connector joins smaller pieces of LED tape together to form longer segments. For example, if you are installing toe kick lighting, but need to skip past the refrigerator, use the Connector Kit for Custom Wire Length. After wiring around the refrigerator, you can continue your lighting on the other side



Please do not attach more lights than the driver has wattage to support



For instructional information on designing and installing lighting, visit [www.kminfo.com](http://www.kminfo.com). The Lighting Wizard is located under the Training tab.

**Notes**

# Base Cabinets

## Construction Options and Modifications

<b>B</b>	<b>12</b>	<b>40</b>	<b>24</b>	<b>R</b>	<b>•FH</b>
code	width	height	depth	hinge	suffix

- ❖ Included as standard
- Available with an upcharge
- ☆ Available with exceptions
- (Blank) Unavailable

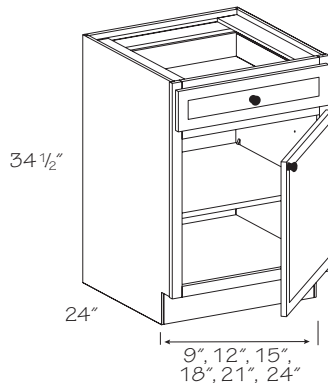
**Note:** Standard base cabinet box depth is 24" unless stated otherwise. Add door thickness with bumpers for total depth.

Remember, a cabinet designated BUTT or (Butt) has no center stile. When BUTT is in all capitals, please include as part of your ordering nomenclature. A (Butt) in parentheses is for your information and isn't required on an order form.

Material dimensions listed may vary slightly from actual dimensions of the product. Specifications subject to change without notice.

- PE Plywood Ends
- APC All Plywood Construction
- APFC All Plywood Furniture Construction
- FPEB Furniture Plywood Ends
- MI Matching Interior
- FBC Flush Back Construction
- DE Integrated Decorative End
- OE Operational End
- AD\_E Attached Decorative End
- CW Change Width
- RD Reduced Depth
- CH Change Height
- IF Inverted Frame
- TWR Top Wide Rail
- WR Wide Bottom Rail
- XS Extended Stile
- XSG Integrated Extended Stile
- XSB Extended Side Back
- IB Integrated Base
- GD Glass Doors
- PTKV Prepared for Toe Kick Vent
- RTK Recessed Toe Kick
- RTKP Recessed Toe Kick Peninsula
- VTK Void Toe Kick
- TKD Toe Kick Drawer

### Base Single Door

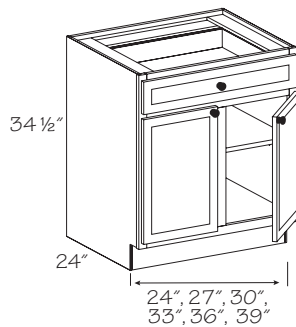


- One shelf
- ❖❖❖❖❖ **B9 R or L.1D**
  - ❖ **B12 R or L**
  - ❖ **B15 R or L**
  - ▲ **B18 R or L**
  - ▲ **B21 R or L**
  - ▲ **B24 R or L**
- (CW) option unavailable
  - ❖ (RTKB) unavailable
  - ★ Glass door option unavailable
  - ❖ (TKD) option is unavailable
  - ❖ (PTKV) option is unavailable
  - ▲ Available with (IB) option

- Specify R or L for single door hinging
- Adjustable shelf

● PE	● TWR
● APC	● WR
● APFC	● XS
● FPEB	● XSG
● MI	● XSB
● FBC	☆ IB
● DE	☆ GD
● OE	☆ PTKV
● AD_E	☆ RTK
☆ CW	● RTKP
● RD	● VTK
● CH	☆ TKD
● IF	

### Base Double Door

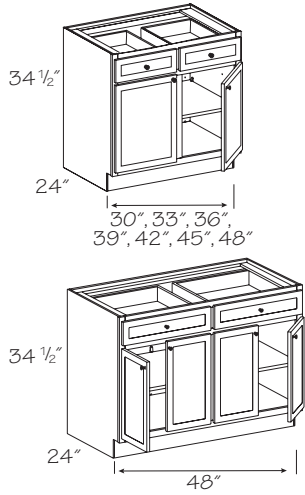


- One shelf
- ▲ **B24 BUTT**
  - ▲ **B27 (Butt)**
  - B30**
  - ▲ **B30 BUTT**
  - B33**
  - ▲ **B33 BUTT**
  - B36**
  - ▲ **B36 BUTT**
  - B39**
- (CW) option unavailable
  - ▲ Available with (IB) option

- Adjustable shelf

● PE	● TWR
● APC	● WR
● APFC	● XS
● FPEB	● XSG
● MI	● XSB
● FBC	☆ IB
● DE	● GD
● OE	● PTKV
● AD_E	● RTK
☆ CW	● RTKP
● RD	● VTK
● CH	● TKD
● IF	

### Base Double Door Double Drawer

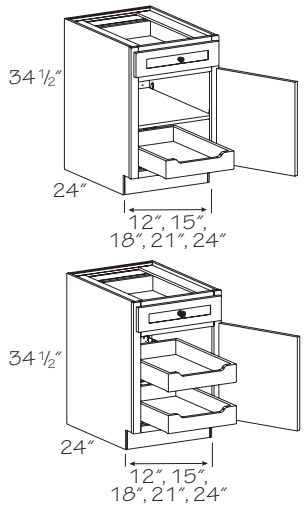


- One shelf
- B30 .2D**
- B33 .2D**
- B36 .2D**
- B39 .2D**
- B42**
- + B45**
- + B48**
- +◀▶ B48 BUTT**
- + (TKD) option is unavailable**
- (CW) option unavailable**
- ▲ Two pair of butt doors**

- 3" center stile
- Adjustable shelf
- Two drawers

● PE	● TWR
● APC	● WR
● APFC	● XS
● FPEB	● XSG
● MI	● XSB
● FBC	● IB
● DE	● GD
● OE	● PTKV
● AD_E	● RTK
☆ CW	● RTKP
● RD	● VTK
● CH	☆ TKD
● IF	

### Base Single Door w/Deluxe Dovetailed Full-Width Tray(s)

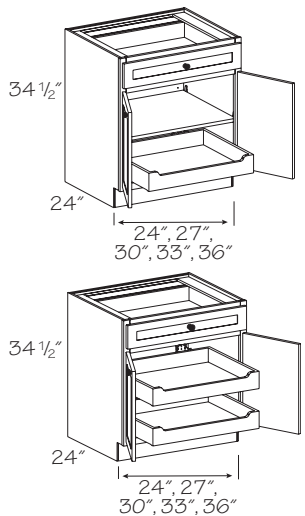


- One tray, one adjustable shelf
- +\*○ B12 R or L.DXFWT**
- + B15 R or L.DXFWT**
- B18 R or L.DXFWT**
- B21 R or L.DXFWT**
- B24 R or L.DXFWT**
- Two trays, no shelf
- +\*○ B12 R or L.2DXFWT**
- + B15 R or L.2DXFWT**
- B18 R or L.2DXFWT**
- B21 R or L.2DXFWT**
- B24 R or L.2DXFWT**
- (CW) option unavailable**
- + Unavailable with (IB) option**
- \* (PTKV) option is unavailable**

- Specify R or L for single door hinging
- Adjustable, full-width Roll-out Tray(s)
- Roll-out Trays are 4" deep, 5/8" solid wood dovetailed sides with 3/16" plywood bottom, notched front and full extension runners with integrated buffer
- ☆ (RD) available in 18" and 21" depths only

● PE	● TWR
● APC	● WR
● APFC	● XS
● FPEB	● XSG
● MI	● XSB
● FBC	☆ IB
● DE	● GD
● OE	☆ PTKV
● AD_E	● RTK
☆ CW	● RTKP
☆ RD	● VTK
● CH	● TKD
● IF	

### Base Double Door w/Deluxe Dovetailed Full-Width Tray(s)



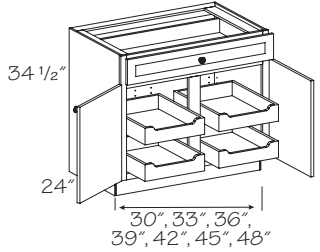
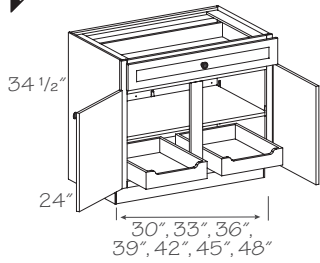
- One tray, one adjustable shelf
- B24 BUTT.DXFWT**
- B27 (Butt).DXFWT**
- B30 BUTT.DXFWT**
- B33 BUTT.DXFWT**
- B36 BUTT.DXFWT**
- Two trays, no shelf
- B24 BUTT.2DXFWT**
- B27 (Butt).2DXFWT**
- B30 BUTT.2DXFWT**
- B33 BUTT.2DXFWT**
- B36 BUTT.2DXFWT**
- (CW) option unavailable**

- Adjustable, full-width Roll-out Tray(s)
- Roll-out Trays are 4" deep, 5/8" solid wood dovetailed sides with 3/16" plywood bottom, notched front and full extension runners with integrated buffer
- ☆ (RD) available in 18" and 21" depths only

● PE	● TWR
● APC	● WR
● APFC	● XS
● FPEB	● XSG
● MI	● XSB
● FBC	● IB
● DE	● GD
● OE	● PTKV
● AD_E	● RTK
☆ CW	● RTKP
☆ RD	● VTK
● CH	● TKD
● IF	

New

### Base Double Door w/Deluxe Dovetailed Trays



Two trays, one adjustable shelf  
 ○ B30 .2DXT  
 B33 .2DXT  
 B36 .2DXT  
 B39 .2DXT  
 B42 .2DXT  
 B45 .2DXT  
 B48 .2DXT

Four trays, no shelf  
 ○ B30 .4DXT  
 B33 .4DXT  
 B36 .4DXT  
 B39 .4DXT  
 B42 .4DXT  
 B45 .4DXT  
 B48 .4DXT

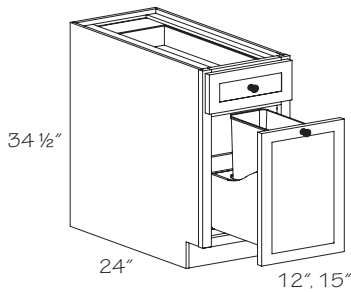
○ (CW) option unavailable

Grey color coding indicates new product, size or code.

- Adjustable, side-by-side Roll-out Trays
- Roll-out Trays are 4" deep, 5/8" solid wood dovetailed sides with 3/16" plywood bottom, notched front and full extension runners with integrated buffer
- ☆ (RD) available in 18" and 21" depths only
- Roll-out trays utilize the same center stile mounting block. Additional Deluxe Roll-out Tray - Center Stile Mounting Blocks (DXROT.CS) are required if Roll-out trays are preferred to be offset. Field modification required

● PE	● TWR
● APC	● WR
● APFC	● XS
● FPFB	● XSG
● MI	● XSB
● FBC	● IB
● DE	● GD
● OE	● PTKV
● AD_E	● RTK
☆ CW	● RTKP
☆ RD	● VTK
● CH	● TKD
IF	

### Base Bottom Mount Wastebasket - Single



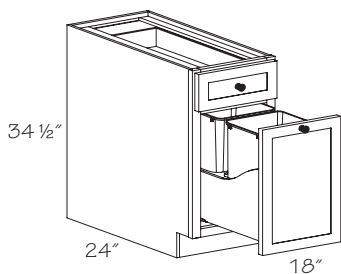
※▲ **BWBB12** 30 qt. capacity grey wastebasket  
**BWBB15** 35 qt. capacity grey wastebasket  
 With Auto-open Kit  
**BWBB15 .AO** 35 qt. capacity grey wastebasket

▲ Available in full overlay door styles only  
 ※ (PTKV) option is unavailable

- Basket(s) rest on dovetailed Maple drawer box
- Basket(s) are easily removable for emptying or cleaning
- Drawer box slides on soft close, full extension glides
- Optional Wastebasket Drawer Partition (WDP) is available
- Pressing door front will activate Auto-open; closes like a standard drawer with soft close
- Auto-open Kit requires 110V power source at back of cabinet
- Auto-open Kit requires 110V power source at back of cabinet
- Auto-open Kit feature offers programmable stop
- Permaset bumpers are unavailable on doors ordered with the Auto-open Kit
- ☆ Auto-open cabinets unavailable with (FBC) option
- **Note:** Auto-open Kit requires field installation

● PE	● TWR
● APC	● WR
● APFC	● XS
● FPFB	● XSG
● MI	● XSB
☆ FBC	● IB
● DE	● GD
● OE	☆ PTKV
● AD_E	● RTK
● CW	● RTKP
● RD	● VTK
● CH	● TKD
● IF	

### Base Bottom Mount Wastebasket - Double



**BWBB18 .2**  
 With Auto-open Kit  
**BWBB18 .2.AO**

- 35 qt. capacity grey basket(s)
- Basket(s) rest on dovetailed Maple drawer box
- Basket(s) are easily removable for emptying or cleaning
- Drawer box slides on soft close, full extension glides
- One green wastebasket lid is included with cabinet. Lid can only be used with the front wastebasket. Replacement lids available in white and grey only
- Optional Wastebasket Drawer Partition (WDP) is available
- Pressing door front will activate Auto-open; closes like a standard drawer with soft close
- Auto-open Kit requires 110V power source at back of cabinet
- Auto-open Kit feature offers programmable stop
- Permaset bumpers are unavailable on doors ordered with the Auto-open Kit
- ☆ Auto-open cabinets unavailable with (FBC) option
- **Note:** Auto-open Kit requires field installation

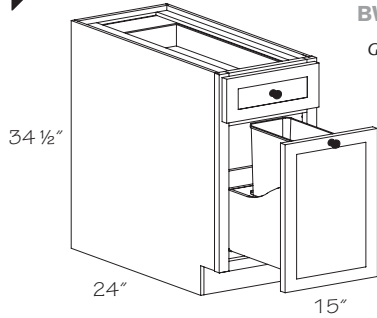
● PE	● TWR
● APC	● WR
● APFC	● XS
● FPFB	● XSG
● MI	● XSB
☆ FBC	● IB
● DE	● GD
● OE	● PTKV
● AD_E	● RTK
● CW	● RTKP
● RD	● VTK
● CH	● TKD
● IF	

New

### Base Bottom Mount Wastebasket - Single - Push-to-Open

**BWBB15 .PO**

*Grey color coding indicates new product, size or code.*



- 35 qt. capacity grey basket(s)
- Basket(s) rest on dovetailed Maple drawer box
- Basket(s) are easily removable for emptying or cleaning
- Drawer box slides on soft close, full extension glides
- Pressing door front will activate spring opening; closes like a standard drawer with soft close
- Permaset bumpers are **not** included on doors ordered with the Push to Open option (PO)
- Optional Wastebasket Drawer Partition (WDP) is available
- Wastebasket door will sit 3/16" proud of adjacent doors and drawers; clearance required for proper function

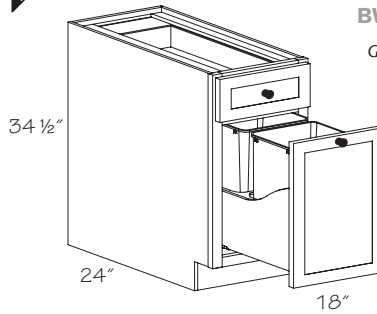
● PE	● TWR
● APC	● WR
● APFC	● XS
● FPFB	● XSG
● MI	● XSB
● FBC	● IB
● DE	● GD
● OE	● PTKV
● AD_E	● RTK
● CW	● RTKP
● RD	● VTK
● CH	● TKD
● IF	

New

### Base Bottom Mount Wastebasket - Double - Push-to-Open

**BWBB18 .2.PO**

*Grey color coding indicates new product, size or code.*

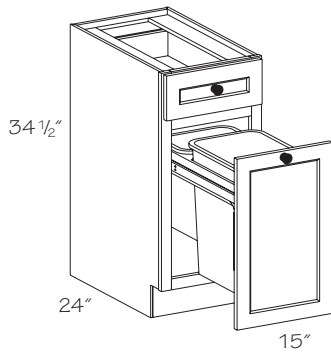


- 35 qt. capacity grey basket(s)
- Basket(s) rest on dovetailed Maple drawer box
- Basket(s) are easily removable for emptying or cleaning
- Drawer box slides on soft close, full extension glides
- Pressing door front will activate spring opening; closes like a standard drawer with soft close
- Permaset bumpers are **not** included on doors ordered with the Push to Open option (PO)
- Optional Wastebasket Drawer Partition (WDP) is available
- Wastebasket door will sit 3/16" proud of adjacent doors and drawers; clearance required for proper function

● PE	● TWR
● APC	● WR
● APFC	● XS
● FPFB	● XSG
● MI	● XSB
● FBC	● IB
● DE	● GD
● OE	● PTKV
● AD_E	● RTK
● CW	● RTKP
● RD	● VTK
● CH	● TKD
● IF	

### Base Top Mount Wastebasket - Single Sidemount Soft-Close

**BWBT15 .SC**



- 35 qt. capacity white basket(s)
- Basket(s) rest in a Natural Maple plywood frame
- Basket(s) are easily removable for emptying or cleaning
- Frame slides on soft close, full extension glides
- Optional Wastebasket Lid (WBL) available for 35 qt. wastebasket
- Optional Wastebasket Drawer Partition (WDP) is available

● PE	● TWR
● APC	● WR
● APFC	● XS
● FPFB	● XSG
● MI	● XSB
● FBC	● IB
● DE	● GD
● OE	● PTKV
● AD_E	● RTK
● CW	● RTKP
● RD	● VTK
● CH	● TKD
● IF	

### Base Top Mount Wastebasket - Double Sidemount Soft-Close

*Two 27 qt. capacity white baskets*

**BWBT15 .2.SC**

*Two 35 qt. capacity white baskets*

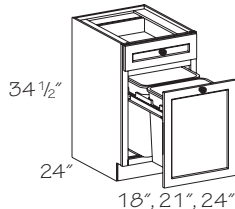
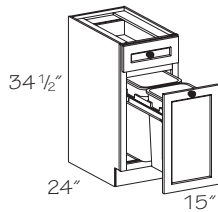
**BWBT18 .2.SC**

※ **BWBT21 .2.SC**

**BWBT24 .2.SC**

※ Unavailable with (IF) Option

*Grey color coding indicates new product, size or code.*



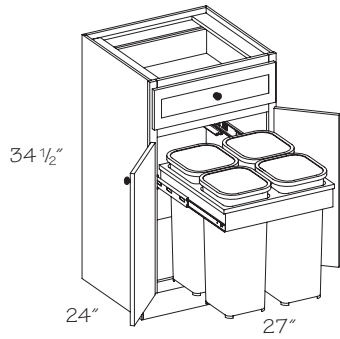
- Basket(s) rest in a Natural Maple plywood frame
- Basket(s) are easily removable for emptying or cleaning
- Frame slides on soft close, full extension glides
- Optional Wastebasket Lid (WBL) available for 35 qt. wastebasket
- Optional Wastebasket Drawer Partition (WDP) is available

● PE	● TWR
● APC	● WR
● APFC	● XS
● FPFB	● XSG
● MI	● XSB
● FBC	● IB
● DE	● GD
● OE	● PTKV
● AD_E	● RTK
● CW	● RTKP
● RD	● VTK
● CH	● TKD
☆ IF	



### Base Top Mount Wastebasket - Recycling Center Sidemount Soft-Close

#### BWBT27 (Butt).4.SC

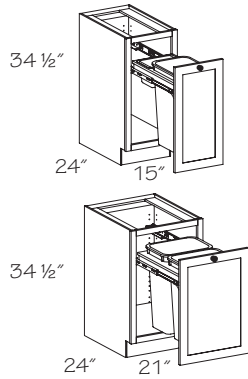


- Four 27 qt. capacity white baskets
- Basket(s) rest in a Natural Maple plywood frame
- Basket(s) are easily removable for emptying or cleaning
- Frame slides on soft close, full extension glides
- Doors are unattached to roll-out unit
- Available in full overlay door styles only
- Optional Wastebasket Drawer Partition (WDP) is available

● PE	● TWR
● APC	● WR
● APFC	● XS
● FPFB	● XSG
● MI	● XSB
● FBC	● IB
● DE	● GD
● OE	● PTKV
● AD_E	● RTK
● CW	● RTKP
● RD	● VTK
● CH	● TKD
● IF	

### Base Top Mount Wastebasket - Full-Height Sidemount Soft-Close

#### BWBT15 .FH.SC BWBT21 .2.FH.SC



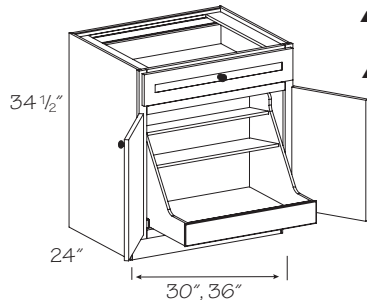
- One or two 50 qt. capacity white baskets
- Basket(s) rest in a Natural Maple plywood frame
- Basket(s) are easily removable for emptying or cleaning
- Frame slides on soft close, full extension glides
- Optional Wastebasket Lid available for 35 and 50 qt. wastebaskets

● PE	● TWR
● APC	● WR
● APFC	● XS
● FPFB	● XSG
● MI	● XSB
● FBC	● IB
● DE	● GD
● OE	● PTKV
● AD_E	● RTK
● CW	● RTKP
● RD	● VTK
● CH	● TKD
● IF	

### Base w/Pots and Pans Organizer

#### ▲ B30 BUTT.BPPSO B36 BUTT.BPPSO

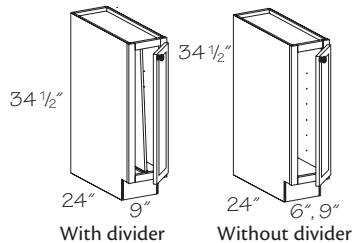
▲ Unavailable with (IB) option



- 4" high Roll-out Tray with integrated shelf system
- Roll-out sides and back are 3/4" wood veneer plywood; the shelves are 1/2" wood veneer plywood
- Includes full extension soft close runners

● PE	● TWR
● APC	● WR
● APFC	● XS
● FPFB	● XSG
● MI	● XSB
● FBC	☆ IB
● DE	● GD
● OE	● PTKV
● AD_E	● RTK
● CW	● RTKP
● RD	● VTK
● CH	● TKD
● IF	

### Base Full-Height Single Door 6" - 9" Wide



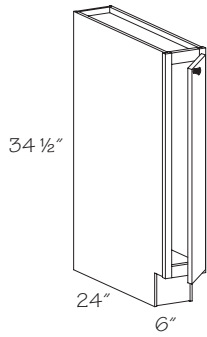
With Tray Divider  
 ★■ B9 R or L  
 Without Tray Divider  
 ★\*○▲ B6 R or L  
 B9 R or L.VTD

- Unavailable with (OE) option
- (CH) option unavailable
- ★ (XSG) is unavailable
- ▲ Unavailable with (RTKP) Option
- (RTKB) unavailable
- \* Wide Rail Plain only (WR)
- ✦ Door defaults to a slab design with an outside profile matching the selected door style

- Specify R or L for single door hinging
- One full-height tray divider
- Veranda doors will have a solid, recessed flat panel
- ☆ Tray divider unavailable when (RD) option of less than 6" is selected
- ☆ (RTKPB) unavailable

● PE	● TWR
● APC	● WR
● APFC	● XS
● FPFB	☆ XSG
● MI	● XSB
● FBC	● IB
● DE	● GD
☆ OE	● PTKV
● AD_E	☆ RTK
● CW	☆ RTKP
☆ RD	● VTK
☆ CH	● TKD
● IF	

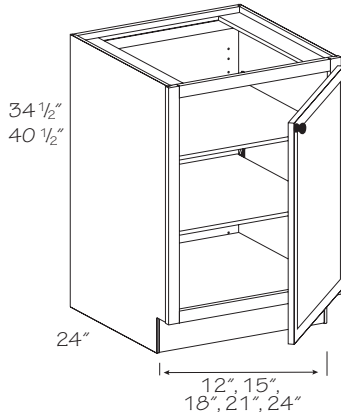
### Base Full-Height Single Door - Full Overlay B6 R or L.FO



- Specify R or L for single door hinging
- Frame stiles are 15/16" wide
- Available in full overlay only
- Door defaults to a slab design with an outside profile matching the selected door style
- ☆ Wide Rail Plain only (WR)
- ☆ Max. (CW) 8 15/16"
- ☆ (RTKB) unavailable
- ☆ (RTKPB) unavailable

● PE	● TWR
● APC	☆ WR
● APFC	● XS
● FPEB	● XSG
● MI	● XSB
● FBC	● IB
● DE	● GD
● OE	● PTKV
AD_E	☆ RTK
☆ CW	☆ RTKP
● RD	● VTK
● CH	● TKD
IF	

### Base Full-Height Single Door

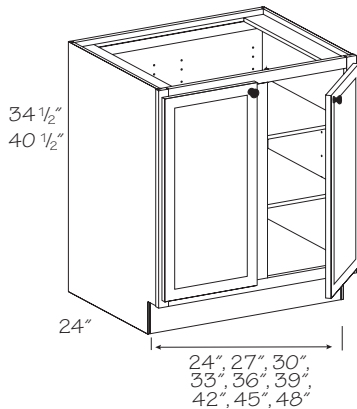


- 34 1/2" High, two shelves
- ※ B12 R or L.FH
- ※ B15 R or L.FH
- ▲ B18 R or L.FH
- ▲ B21 R or L.FH
- ▲ B24 R or L.FH
- 40 1/2" High, three shelves
- ※ B122440 R or L.FH
- ◆ B152440 R or L.FH
- ◆ B182440 R or L.FH
- ◆ B212440 R or L.FH
- ◆ B242440 R or L.FH
- ※ (PTKV) option is unavailable
- ▲ Available with (IB) option
- ◆ (FBC) option is unavailable

- Specify R or L for single door hinging
- Adjustable shelves

● PE	● TWR
● APC	● WR
● APFC	● XS
● FPEB	● XSG
● MI	● XSB
☆ FBC	☆ IB
● DE	● GD
● OE	☆ PTKV
● AD_E	● RTK
● CW	● RTKP
● RD	● VTK
● CH	● TKD
IF	

### Base Full-Height Double Door

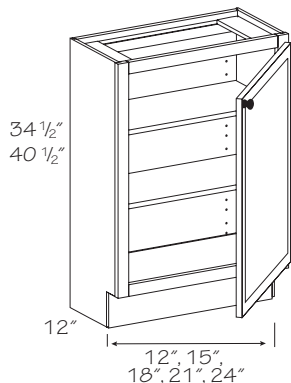


- 34 1/2" High, two shelves
- ▲ B24 BUTT.FH
- ▲ B27 (Butt).FH
- B30 .FH
- ▲ B30 BUTT.FH
- B33 .FH
- ▲ B33 BUTT.FH
- B36 .FH
- ▲ B36 BUTT.FH
- B39 .FH
- B42 .FH
- + B45 .FH
- + B48 .FH
- ★★○ B48 BUTT.FH
- (CW) option unavailable
- ▲ Available with (IB) option
- + (TKD) option is unavailable
- ★ Two pair of butt doors
- ◆ (FBC) option is unavailable
- 40 1/2" High, three shelves
- ◆ B242440 BUTT.FH
- ◆ B272440 (Butt).FH
- ◆ B302440 .FH
- ◆ B302440 BUTT.FH
- ◆ B332440 .FH
- ◆ B332440 BUTT.FH
- ◆ B362440 .FH
- ◆ B362440 BUTT.FH

- Adjustable shelves

● PE	● TWR
● APC	● WR
● APFC	● XS
● FPEB	● XSG
● MI	● XSB
☆ FBC	☆ IB
● DE	● GD
● OE	● PTKV
● AD_E	● RTK
☆ CW	● RTKP
● RD	● VTK
● CH	☆ TKD
IF	

### Base Full-Height Single Door 12" Deep

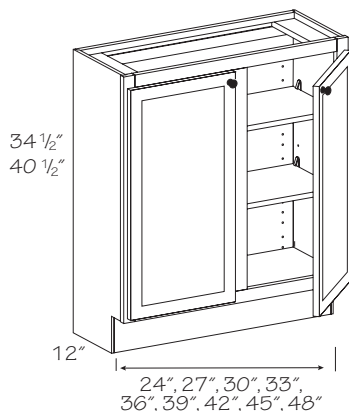


- 34 1/2" High,  
two shelves
- \* **B1212 R or L.FH**
  - B1512 R or L.FH**
  - B1812 R or L.FH**
  - B2112 R or L.FH**
  - B2412 R or L.FH**
- 40 1/2" High,  
three shelves
- \* **B121240 R or L.FH**
  - B151240 R or L.FH**
  - B181240 R or L.FH**
  - B211240 R or L.FH**
  - B241240 R or L.FH**
- \* (PTKV) option is unavailable  
♦ (FBC) option is unavailable

- Specify R or L for single door hinging
- Adjustable shelves

● PE	● TWR
● APC	● WR
● APFC	● XS
● FPFC	● XSG
● MI	● XSB
☆ FBC	IB
● DE	● GD
● OE	☆ PTKV
● AD_E	● RTK
● CW	RTKP
● RD	● VTK
● CH	● TKD
IF	

### Base Full-Height Double Door 12" Deep

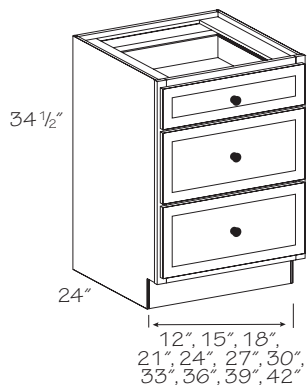


- 34 1/2" High, two shelves
- **B2412 BUTT.FH**
  - B2712 (Butt).FH**
  - B3012 .FH**
  - B3012 BUTT.FH**
  - B3312 .FH**
  - B3312 BUTT.FH**
  - B3612 .FH**
  - B3612 BUTT.FH**
  - B3912 .FH**
  - B4212 .FH**
  - B4512 .FH**
  - B4812 .FH**
  - ▲ **B4812 BUTT.FH**
- 40 1/2" High, three shelves
- ♦ **B241240 BUTT.FH**
  - B271240 (Butt).FH**
  - B301240 .FH**
  - B301240 BUTT.FH**
  - B331240 .FH**
  - B331240 BUTT.FH**
  - B361240 .FH**
  - B361240 BUTT.FH**
- (CW) option unavailable  
▲ Two pair of butt doors  
♦ (FBC) option is unavailable

- Adjustable shelves

● PE	● TWR
● APC	● WR
● APFC	● XS
● FPFC	● XSG
● MI	● XSB
☆ FBC	IB
● DE	● GD
● OE	● PTKV
● AD_E	● RTK
☆ CW	RTKP
● RD	● VTK
● CH	● TKD
IF	

### Base Three Drawer

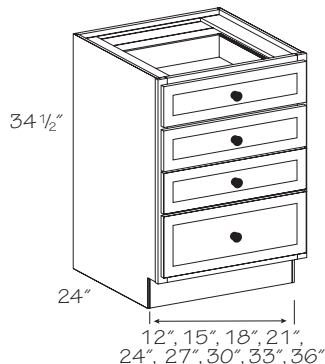


- +\* **BD12 .3**
  - + **BD15 .3**
  - BD18 .3**
  - BD21 .3**
  - BD24 .3**
  - BD27 .3**
  - BD30 .3**
  - BD33 .3**
  - BD36 .3**
  - + **BD39 .3**
  - + **BD42 .3**
- + Unavailable with (IB) option  
\* (PTKV) option is unavailable

- One standard drawer
- Two deep drawers

● PE	● TWR
● APC	● WR
● APFC	● XS
● FPFC	● XSG
● MI	● XSB
● FBC	☆ IB
● DE	● GD
● OE	☆ PTKV
● AD_E	● RTK
● CW	● RTKP
● RD	● VTK
● CH	● TKD
IF	

### Base Four Drawer

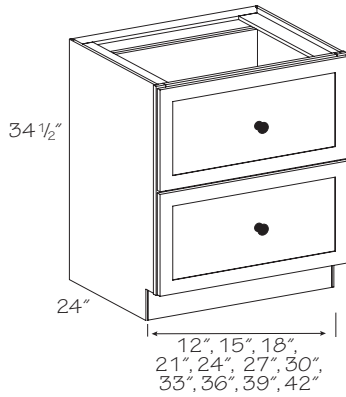


- +\* **BD12**
  - + **BD15**
  - BD18**
  - BD21**
  - BD24**
  - BD27**
  - BD30**
  - BD33**
  - BD36**
- + Unavailable with (IB) option  
\* (PTKV) option is unavailable

- Three standard height drawers
- One deep bottom drawer

● PE	● TWR
● APC	● WR
● APFC	● XS
● FPFC	● XSG
● MI	● XSB
● FBC	☆ IB
● DE	● GD
● OE	☆ PTKV
● AD_E	● RTK
● CW	● RTKP
● RD	● VTK
● CH	● TKD
IF	

### Base Pots and Pans Storage Two Drawer

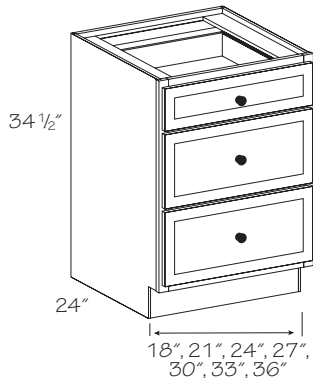


- +\* BPPS12 .2
  - + BPPS15 .2
  - BPPS18 .2
  - BPPS21 .2
  - BPPS24 .2
  - BPPS27 .2
  - BPPS30 .2
  - BPPS33 .2
  - BPPS36 .2
  - + BPPS39 .2
  - + BPPS42 .2
- (CW) option unavailable  
 + Unavailable with (IB) option  
 \* (PTKV) option is unavailable

- Two 10" deep solid wood drawers
- Uses Soft Close Drawer Runners for Two Drawer Cabinets
- ☆ Min. (RD) is 21"

● PE	● TWR
● APC	● WR
● APFC	● XS
● FPEB	● XSG
● MI	● XSB
● FBC	☆ IB
● DE	● GD
● OE	☆ PTKV
● AD_E	● RTK
☆ CW	● RTKP
☆ RD	● VTK
● CH	● TKD
● IF	

### Base Pots and Pans Storage Three Drawer

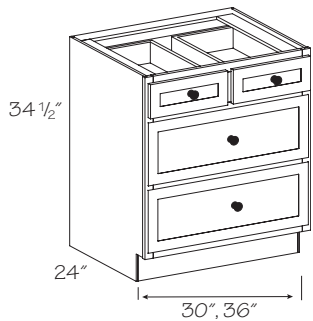


- BPPS18
  - BPPS21
  - ◆ BPPS24
  - ◆ BPPS27
  - ◆ BPPS30
  - ◆ BPPS33
  - ◆ BPPS36
- ◆ (PWD) option is available

- One standard drawer
- Two deep drawers

● PE	● TWR
● APC	● WR
● APFC	● XS
● FPEB	● XSG
● MI	● XSB
● FBC	● IB
● DE	● GD
● OE	● PTKV
● AD_E	● RTK
● CW	● RTKP
● RD	● VTK
● CH	● TKD
● IF	

### Base Pots and Pans Storage Four Drawer

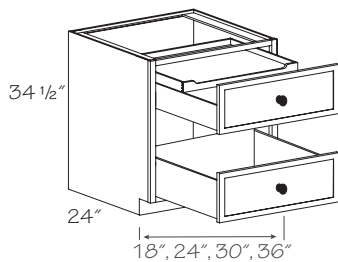


- BPPS30 .4
- BPPS36 .4

- Two standard drawers
- Two deep drawers
- (PWD) option is available

● PE	● TWR
● APC	● WR
● APFC	● XS
● FPEB	● XSG
● MI	● XSB
● FBC	● IB
● DE	● GD
● OE	● PTKV
● AD_E	● RTK
● CW	● RTKP
● RD	● VTK
● CH	● TKD
● IF	

### Base Deep Drawer Combination

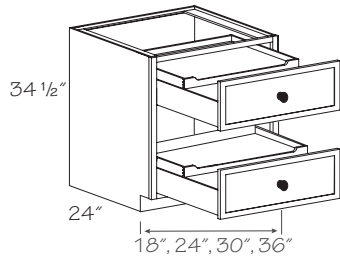


- BDDC18 .2.TT
  - BDDC24 .2.TT
  - BDDC30 .2.TT
  - BDDC36 .2.TT
- (CW) option unavailable

- One 7" deep solid wood drawer
- One 10" deep solid wood drawer
- One 3" deluxe rollout tray above the top drawer
- Uses Soft Close Drawer Runners for Two Drawer Cabinets
- Adjustable Drawer Dividers unavailable in top drawer
- ☆ Min. (RD) is 21"

● PE	● TWR
● APC	● WR
● APFC	● XS
● FPEB	● XSG
● MI	● XSB
● FBC	● IB
● DE	● GD
● OE	● PTKV
● AD_E	● RTK
☆ CW	● RTKP
☆ RD	● VTK
● CH	● TKD
● IF	

### Base Deep Drawer Combination - Top & Bottom Tray

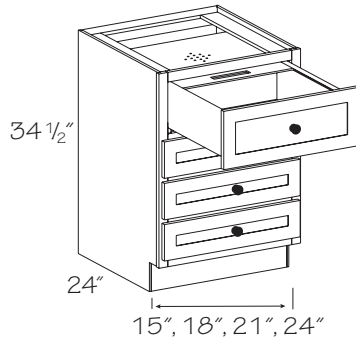


- **BDDC18 .2.TBT**
- **BDDC24 .2.TBT**
- **BDDC30 .2.TBT**
- **BDDC36 .2.TBT**
- (CW) option unavailable

- Two 7" solid wood drawers
- 3" deluxe rollout tray above the top and bottom drawer
- Uses Soft Close Drawer Runners
- Adjustable Drawer Dividers unavailable
- ☆ Min. (RD) is 21"

● PE	● TWR
● APC	● WR
● APFC	● XS
● FPEB	● XSG
● MI	● XSB
● FBC	● IB
● DE	● GD
● OE	● PTKV
● AD_E	● RTK
☆ CW	● RTKP
☆ RD	● VTK
● CH	● TKD
● IF	

### Bread Box Drawer



- **BBD15**
- **BBD18**
- **BBD21**
- **BBD24**

- Three standard height drawers
- One deep top drawer with factory installed Sliding Bread Box Lid

● PE	● TWR
● APC	● WR
● APFC	● XS
● FPEB	● XSG
● MI	● XSB
● FBC	● IB
● DE	● GD
● OE	● PTKV
● AD_E	● RTK
● CW	● RTKP
● RD	● VTK
● CH	● TKD
● IF	

# Base Sink & Appliance Cabinets

## Construction Options and Modifications

<b>BMC</b>	<b>30</b>	<b>46</b>	<b>24</b>
code	width	height	depth

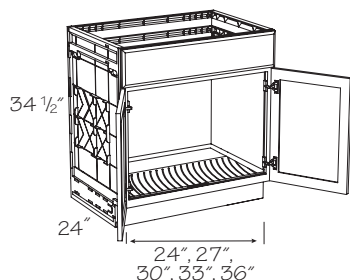
- ❖ Included as standard
- Available with an upcharge
- ☆ Available with exceptions
- (Blank) Unavailable

Remember, a cabinet designated BUTT or (Butt) has no center stile. When BUTT is in all capitals, please include as part of your ordering nomenclature. A (Butt) in parentheses is for your information and isn't required on an order form.

Material dimensions listed may vary slightly from actual dimensions of the product. Specifications subject to change without notice.

- PE Plywood Ends
- APC All Plywood Construction
- APFC All Plywood Furniture Construction
- FPEB Furniture Plywood Ends
- MI Matching Interior
- FBC Flush Back Construction
- DE Integrated Decorative End
- OE Operational End
- AD\_E Attached Decorative End
- CW Change Width
- RD Reduced Depth
- ID Increased Depth
- CH Change Height
- IF Inverted Frame
- TWR Top Wide Rail
- WR Wide Bottom Rail
- XS Extended Stile
- XSG Integrated Extended Stile
- XSB Extended Side Back
- IB Integrated Base
- GD Glass Doors
- PTKV Prepared for Toe Kick Vent
- RTK Recessed Toe Kick
- RTKP Recessed Toe Kick Peninsula
- VTK Void Toe Kick
- TKD Toe Kick Drawer

### CoreGuard® Sink Base



- No shelf  
**SB24 BUTT.CG**  
**SB27 (Butt).CG**  
**SB30 BUTT.CG**  
**SB33 BUTT.CG**  
**SB36 BUTT.CG**

Opening Sizes		
Cabinet	Top Width	Top Depth
<b>SB24BUTT.CG</b>	21 1/16"	22 3/8"
<b>SB27BUTT.CG</b>	24 1/16"	22 3/8"
<b>SB30BUTT.CG</b>	27 1/16"	22 3/8"
<b>SB33BUTT.CG</b>	30 1/16"	22 3/8"
<b>SB36BUTT.CG</b>	33 1/16"	22 3/8"

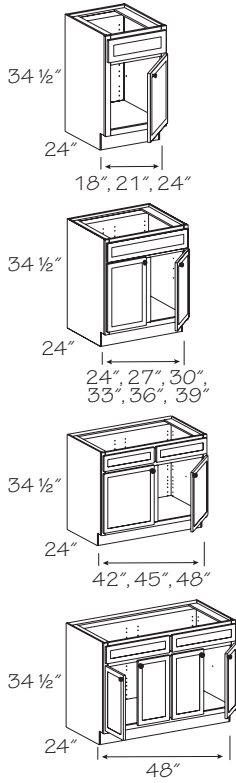
- Easy to clean, durable sink base helps protect the cabinetry from everyday leaks and spills
- Back, end and bottom panels are made of an engineered polymer material
- Bottom panel slants 1° toward front of cabinet and has raised ribs to slightly elevate stored items
- Decorative end panel required for end of peninsula or island; order separately
- One full-width false drawer front above doors
- Use CoreGuard® Panel Backer in the paneling section to resolve cutting and installation errors
- Optional Door Storage Unit is available
- Optional Utensil Trays (UT and SUT) are available
- Unavailable with Roll-out Trays
- Includes a Touch-Up Kit

PE	IF
APC	● TWR
APFC	WR
FPEB	● XS
MI	XSG
FBC	XSB
DE	IB
OE	GD
AD_E	PTKV
CW	RTK
RD	RTKP
ID	VTK
CH	TKD



**Caution:** For an island/peninsula installation, the CoreGuard® Sink cabinet needs to have a min. of (1) 15" cabinet or larger installed adjacent to it in order for the island/peninsula to have adequate structural stability. Accessories are unable to be installed on end panels, back or floor of the cabinet

## Wood Sink Base



### One Drawer Front

- SB18 R or L.W
- SB21 R or L.W
- SB24 R or L.W
- SB24 BUTT.W
- SB27 (Butt).W
- SB30 BUTT.W
- SB33 BUTT.W
- SB36 BUTT.W
- ▲ SB39 .W

### Two Drawer Fronts

- ▲ SB42 .W
- +▲ SB45 .W
- +▲ SB48 .W
- +○■▲ SB48 BUTT.W

- (CW) option unavailable
- ◆ Deluxe Dovetailed full-width Trays unavailable
- ▲ Unavailable with (IB) option
- ✦ (TKD) option is unavailable
- Glass inserts unavailable on ends

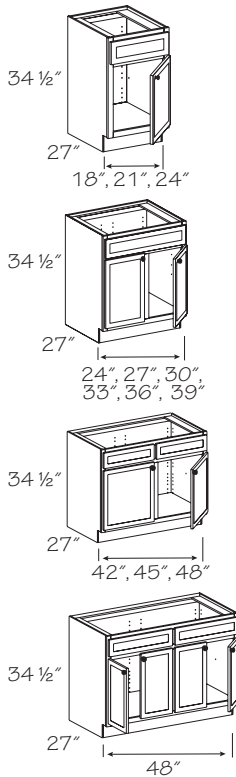
- Specify R or L for single door hinging
- No shelf
- False drawer front(s)
- Optional Door Storage Unit is available
- Optional Utensil Trays (UT and SUT) are available
- Includes a Touch-Up Kit
- Use (FHK) option to achieve a full-height door look



When you need an inverted frame for a sink base cabinet, consider using a regular base with a drawer instead of a sink base if plumbing allows. This way you get a working drawer at the bottom of your cabinet.

● PE	● IF
● APC	● TWR
● APFC	● WR
● FPFB	● XS
● MI	● XSG
● FBC	● XSB
● DE	☆ IB
● OE	☆ GD
● AD_E	● PTKV
☆ CW	● RTK
● RD	● RTKP
● ID	● VTK
● CH	☆ TKD

## Wood Sink Base 27" Deep



### One Drawer Front

- SB1827 R or L.W
- SB2127 R or L.W
- SB2427 R or L.W
- SB2427 BUTT.W
- SB2727 (Butt).W
- SB3027 BUTT.W
- SB3327 BUTT.W
- SB3627 BUTT.W
- SB3927 .W

### Two Drawer Fronts

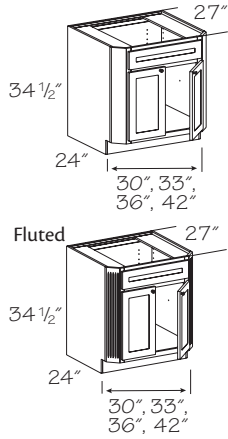
- SB4227 .W
- SB4527 .W
- SB4827 .W
- SB4827 BUTT.W

- (CW) option unavailable
- Glass inserts unavailable on ends

- Specify R or L for single door hinging
- No shelf
- False drawer front(s)
- Optional Door Storage Unit is available
- Optional Utensil Trays (UT and SUT) are available
- Unavailable with Roll-out Trays
- Includes a Touch-Up Kit
- Use (FHK) option to achieve a full-height door look
- ☆ (XSB) can be extended 9" max.

● PE	● IF
● APC	● TWR
● APFC	● WR
● FPFB	● XS
● MI	● XSG
● FBC	☆ XSB
DE	IB
● OE	☆ GD
AD_E	● PTKV
☆ CW	● RTK
● RD	● RTKP
● ID	● VTK
● CH	TKD

## Sink Base - Clipped and Fluted Clipped Corners



### Clipped Corners

**SBCC3027 BUTT**  
**SBCC3327 BUTT**  
**SBCC3627 BUTT**  
**SBCC4227 BUTT**

### Fluted Clipped Corners

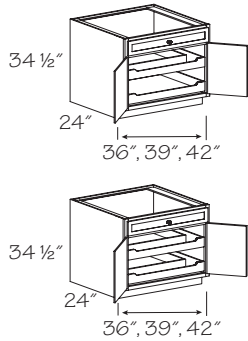
▲ **SBFCC3027 BUTT**  
 ▲ **SBFCC3327 BUTT**  
 ▲ **SBFCC3627 BUTT**  
 ▲ **SBFCC4227 BUTT**

▲ Quartersawn door styles are supplied plain sawn

- No shelf
- False drawer front
- Optional Door Storage Unit is available
- Optional Utensil Trays (UT and SUT) are available
- Angled stiles extend 3" each side
- Factory installed Roll-out Trays are unavailable
- Can be used as corner sink by butting up adjacent cabinets to the clipped corner area
- Includes a Touch-Up Kit
- Use (FHK) option to achieve a full-height door look
- ☆ Min. (RD) is 15"
- ☆ (XSB) can be extended 9" max.

● PE	● IF
● APC	● TWR
● APFC	● WR
● FPEB	● XS
● MI	● XSG
● FBC	☆ XSB
● DE	● IB
● OE	● GD
● AD_E	● PTKV
● CW	● RTK
☆ RD	● RTKP
● ID	● VTK
● CH	● TKD

## Sink Base w/Roll-Out Trays



### One Deep Full Width Tray, One Deep "U" Shaped Tray

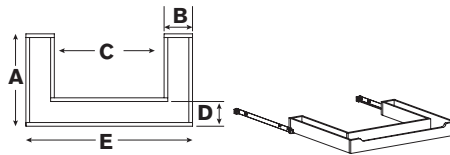
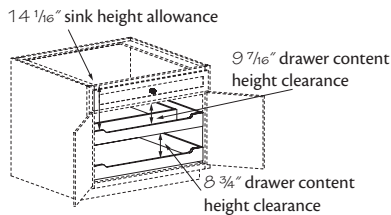
**SB36 .2SBROT.1U**  
**SB39 .2SBROT.1U**  
**SB42 .2SBROT.1U**


### Two Deep "U" Shaped Trays

**SB36 .2SBROT.2U**  
**SB39 .2SBROT.2U**  
**SB42 .2SBROT.2U**

- Two door cabinet with top false drawer front; two Sink Base Roll-out Trays in the door section
- "U" shaped drawers are 21" Deep; 4" High
- Full Width Deep drawers are 21" Deep; 4" High
- Roll-out Trays are 5/8" solid wood dovetailed sides with 3/16" plywood bottom, notched front and full extension runners with integrated buffer
- SB36 is designed for a 30" sink
- SB39 is designed for a 33" sink
- SB42 is designed for a 36" sink

● PE	● IF
● APC	● TWR
● APFC	● WR
● FPEB	● XS
● MI	● XSG
● FBC	● XSB
● DE	● IB
● OE	● GD
● AD_E	● PTKV
● CW	● RTK
● RD	● RTKP
● ID	● VTK
● CH	● TKD

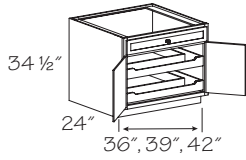
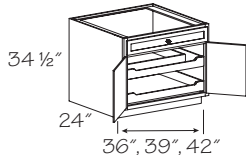


 Cabinets are not designed for sinks with drains that are offset toward the outer edges. Please check sink manufacturer's specifications for drain placement and clearance requirements. Also consider clearance for disposals and other under-sink appliances

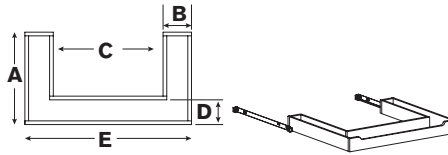
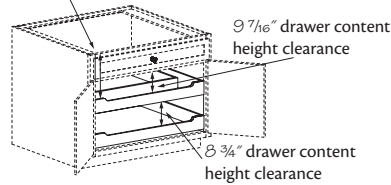
Cabinet	Opening	A	B	C	D	E
SB36.2SBROT	33"	17 9/16"	5 5/16"	21 3/16"	4 1/8"	31 13/16"
SB39.2SBROT	36"	17 9/16"	5 5/16"	24 3/16"	4 1/8"	34 13/16"
SB42.2SBROT	39"	17 9/16"	5 5/16"	27 3/16"	4 1/8"	37 13/16"



## Sink Base w/Roll-Out Trays and Utensil Tray



14 1/16" sink height allowance



Cabinet	Opening	A	B	C	D	E
SB36.SUT.2SBROT	33"	17 9/16"	5 5/16"	21 3/16"	4 1/8"	31 13/16"
SB39.SUT.2SBROT	36"	17 9/16"	5 5/16"	24 3/16"	4 1/8"	34 13/16"
SB42.SUT.2SBROT	39"	17 9/16"	5 5/16"	27 3/16"	4 1/8"	37 13/16"

One Standard Full Width Tray,  
One "U" shaped Tray  
**SB36 .SUT.2SBROT.1U**  
**SB39 .SUT.2SBROT.1U**  
**SB42 .SUT.2SBROT.1U**  
Two "U" Shaped Trays  
**SB36 .SUT.2SBROT.2U**  
**SB39 .SUT.2SBROT.2U**  
**SB42 .SUT.2SBROT.2U**

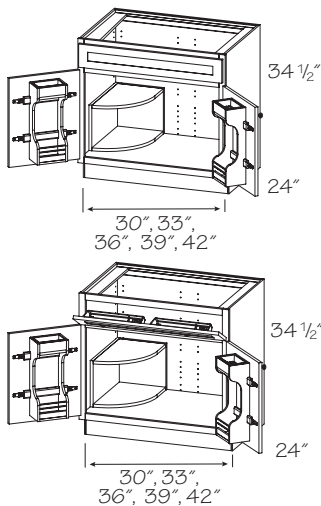
- Two door cabinet with top stainless utensil tray; two Sink Base Roll-out Trays in the door section
- "U" shaped drawers are 21" Deep; 4" High
- Full Width Deep drawers are 21" Deep; 4" High
- Roll-out Trays are 5/8" solid wood dovetailed sides with 3/16" plywood bottom, notched front and full extension runners with integrated buffer
- SB36 is designed for a 30" sink
- SB39 is designed for a 33" sink
- SB42 is designed for a 36" sink



Cabinets are not designed for sinks with drains that are offset toward the outer edges. Please check sink manufacturer's specifications for drain placement and clearance requirements. Also consider clearance for disposals and other under-sink appliances

● PE	● IF
● APC	● TWR
● APFC	● WR
● FPFB	● XS
● MI	● XSG
● FBC	● XSB
● DE	● IB
● OE	● GD
● AD_E	● PTKV
● CW	● RTK
● RD	● RTKP
● ID	● VTK
● CH	● TKD

## Sink Base Multi-Storage Cabinet

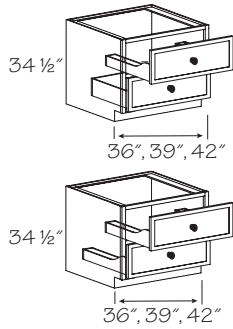


No Tray  
**SBMS30 BUTT**  
**SBMS33 BUTT**  
**SBMS36 BUTT**  
◆ **SBMS39**  
◆ **SBMS42**  
With Stainless Utensil Tray  
**SBMS30 BUTT.SUT**  
**SBMS33 BUTT.SUT**  
**SBMS36 BUTT.SUT**  
◆ **SBMS39 .SUT**  
◆ **SBMS42 .SUT**  
◆ 3" center stile

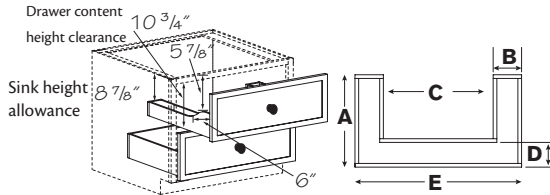
- No shelf
- False drawer front(s)
- Includes two Door Storage Units and one Multi-Storage Shelf
- Sink Base Multi-Storage Shelf Kit shipped separately
- ☆ Sink Base Multi-Storage Shelf Kit is Natural Birch plywood; unmatching
- Includes a Touch-Up Kit

● PE	● IF
● APC	● TWR
● APFC	● WR
● FPFB	● XS
☆ MI	● XSG
● FBC	● XSB
● DE	● IB
● OE	● GD
● AD_E	● PTKV
● CW	● RTK
● RD	● RTKP
● ID	● VTK
● CH	● TKD

### Sink Base Drawer



One "U" Shaped Drawer,  
One Full Width Drawer  
**SB36 .2D1U**  
**SB39 .2D1U**  
**SB42 .2D1U**  
Two "U" Shaped Drawers  
**SB36 .2D2U**  
**SB39 .2D2U**  
**SB42 .2D2U**



Cabinet	Opening	A	B	C	D	E
SB36.2D(1U&2U)	33"	17 9/16"	5 5/16"	21 11/16"	4 1/8"	32 5/16"
SB39.2D(1U&2U)	36"	17 9/16"	5 5/16"	24 11/16"	4 1/8"	35 5/16"
SB42.2D(1U&2U)	39"	17 9/16"	5 5/16"	27 11/16"	4 1/8"	38 5/16"

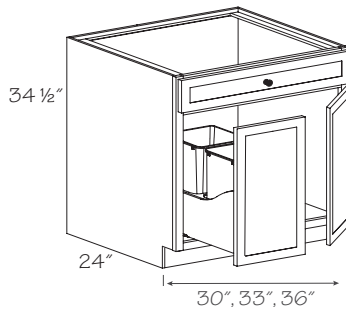
- "U" shaped drawers are 7" to 4" scoop, 21" deep
- Full width drawer is 7" high, 21" deep (**Not** "U" shaped)
- SB36 is designed for a 30" sink
- SB39 is designed for a 33" sink
- SB42 is designed for a 36" sink

● PE	● IF
● APC	● TWR
● APFC	● WR
● FPEB	● XS
● MI	● XSG
● FBC	● XSB
● DE	● IB
● OE	● GD
● AD_E	● PTKV
● CW	● RTK
● RD	● RTKP
● ID	● VTK
● CH	● TKD



Cabinets are not designed for sinks with drains that are offset toward the outer edges. Please check sink manufacturer's specifications for drain placement and clearance requirements. Also consider clearance for disposals and other under-sink appliances

### Sink Base Wastebasket



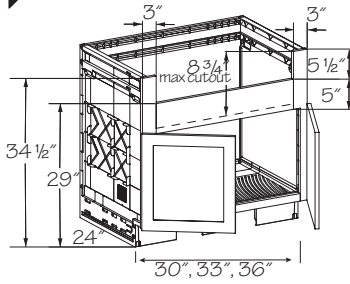
Right Side  
One 35 qt. White Basket  
\* **SBWBR30 BUTT.W**  
\* **SBWBR33 BUTT.W**  
Right Side  
Two 35 qt. White Baskets  
\* **SBWBR36 BUTT.W**  
Left Side  
One 35 qt. White Basket  
◆ **SBWBL30 BUTT.W**  
◆ **SBWBL33 BUTT.W**  
Left Side  
Two 35 qt. White Baskets  
◆ **SBWBL36 BUTT.W**  
\* Unavailable with (OE) right  
◆ Unavailable with (OE) left

- **Note:** Use a single bowl sink with an offset drain opposite the wastebasket
- Sink are unable to be deeper than 8" for under mount applications and 9" for top mount applications because of wastebasket interference
- No shelf
- False Front
- Includes a Touch-Up Kit

● PE	● IF
● APC	● TWR
● APFC	● WR
● FPEB	● XS
● MI	● XSG
● FBC	● XSB
● DE	● IB
☆ OE	● GD
● AD_E	● PTKV
● CW	● RTK
● RD	● RTKP
● ID	● VTK
● CH	● TKD

**New**

### Deep Sink Base - CoreGuard®



Max. cutout height is 8 3/4"  
**DSB30 BUTT.CG**  
**DSB33 BUTT.CG**  
**DSB36 BUTT.CG**

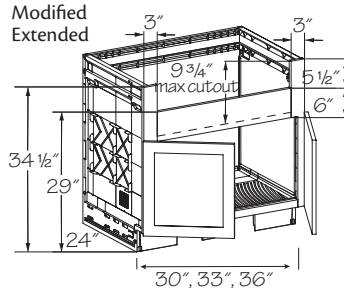
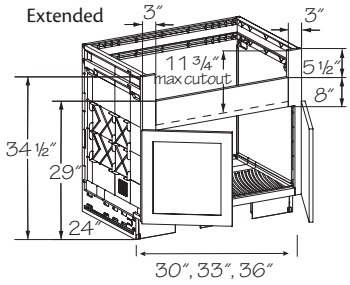
Extended

Max. cutout height is 11 3/4"  
**DSBE30 BUTT.CG**  
**DSBE33 BUTT.CG**  
**DSBE36 BUTT.CG**

Modified Extended

Max. cutout height is 9 3/4"  
**DSBME30 BUTT.CG**  
**DSBME33 BUTT.CG**  
**DSBME36 BUTT.CG**

Grey color coding indicates new product, size or code.



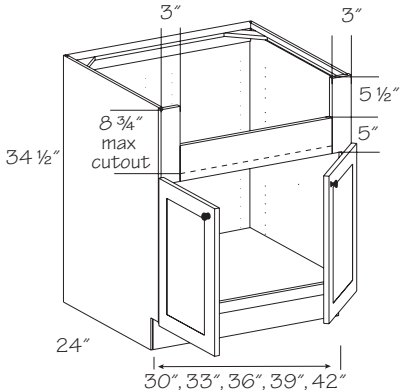
- Easy to clean, durable sink base helps protect the cabinetry from everyday leaks and spills
- No shelf
- Back, end and bottom panels are made of an engineered polymer material
- Bottom panel slants 1° toward front of cabinet and has raised ribs to slightly elevate stored items
- 3" stiles are routed to 1 1/2" in the door area
- Decorative end panel required for end of peninsula or island; order separately
- Use CoreGuard® Panel Backer in the paneling section to resolve cutting and installation errors
- Unavailable with Roll-out Trays
- Includes a Touch-Up Kit
- **Note:** Please check manufacturer's specifications to ensure a proper sink fit. Use **caution** if sink installation instructions call for ends to be trimmed

PE	IF
APC	TWR
APFC	WR
FPEB	● XS
MI	XSG
FBC	XSB
DE	IB
OE	● GD
AD_E	PTKV
CW	RTK
RD	RTKP
ID	VTK
CH	TKD



Do not drill or cut into sides

### Deep Sink Base



Max. cutout height is 8 3/4"  
**DSB30 BUTT**  
**DSB33 BUTT**  
**DSB36 BUTT**  
**DSB39 BUTT**  
**DSB42 BUTT**

Extended

Max. cutout height is 11 3/4"  
**DSBE30 BUTT**  
**DSBE33 BUTT**  
**DSBE36 BUTT**  
**DSBE42 BUTT**  
**DSBE39 BUTT**

Grey color coding indicates new product, size or code.

Modified Extended

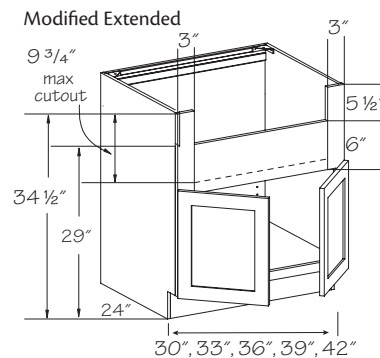
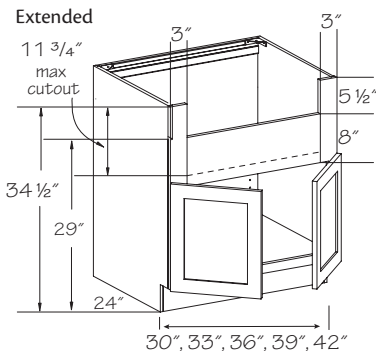
Max. cutout height is 9 3/4"  
**DSBME30 BUTT**  
**DSBME33 BUTT**  
**DSBME36 BUTT**  
**DSBME39 BUTT**  
**DSBME42 BUTT**

- No shelf
- 3" stiles are routed to 1 1/2" in the door area
- Includes a Touch-Up Kit
- **Note:** Please check manufacturer's specifications to ensure a proper sink fit

● PE	IF
● APC	TWR
● APFC	● WR
● FPEB	● XS
● MI	XSG
● FBC	● XSB
DE	IB
OE	● GD
● AD_E	● PTKV
● CW	● RTK
● RD	● RTKP
ID	● VTK
CH	● TKD

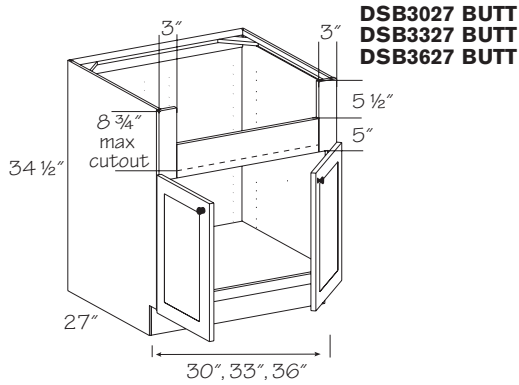


To avoid cutting the side walls of a sink base cabinet, please be sure your sink base cabinet is at least 2 1/2" wider than the overall width of your sink. If your overall front-to-back sink depth is 22 1/2" or greater, use a 27" deep sink base.



Base Cabinets

## Deep Sink Base 27" Deep

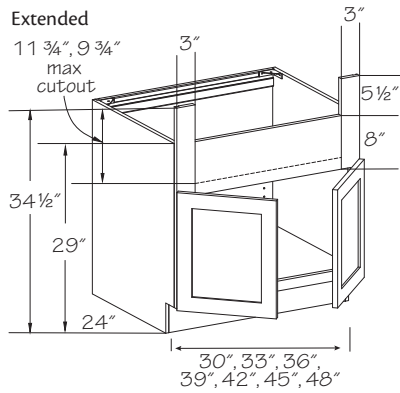


**DSB3027 BUTT**  
**DSB3327 BUTT**  
**DSB3627 BUTT**

- Unavailable with Roll-out Trays
- Max. cutout height is 8 3/4"
- 3" stiles are routed to 1 1/2" in the door area
- Includes a Touch-Up Kit
- ☆ (XSB) can be extended 9" max.
- **Note:** Please check manufacturer's specifications to ensure a proper sink fit

● PE	IF
● APC	TWR
● APFC	● WR
● FPEB	● XS
● MI	XSG
● FBC	☆ XSB
DE	IB
OE	● GD
AD_E	● PTKV
● CW	● RTK
● RD	RTKP
ID	● VTK
CH	TKD

## Apron Sink Base Extended



Max. cutout height is 11 3/4"

**APSBE30 BUTT**  
**APSBE33 BUTT**  
**APSBE36 BUTT**  
**APSBE39 BUTT**  
**APSBE42 BUTT**  
**+ APSBE45 BUTT**  
**+ APSBE48 BUTT**

✦ (TKD) option is unavailable

Grey color coding indicates new product, size or code.

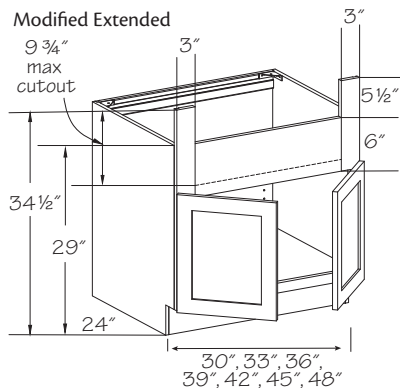
Modified Extended

Max. cutout height is 9 3/4"

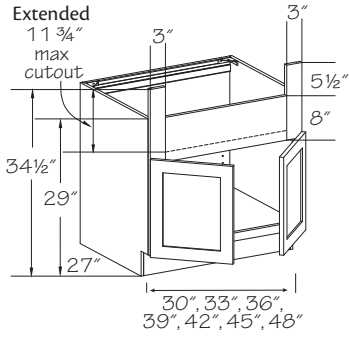
**APSBME30 BUTT**  
**APSBME33 BUTT**  
**APSBME36 BUTT**  
**APSBME39 BUTT**  
**APSBME42 BUTT**  
**+ APSBME45 BUTT**  
**+ APSBME48 BUTT**

- No shelf
- 3" stiles are routed to 1 1/2" in the door area
- Additional support rails are required—refer to sink manufacturer
- Includes a Touch-Up Kit
- ☆ (APFC) will be supplied when (APC) is selected; cabinets have standard furniture plywood ends
- **Note:** Please check manufacturer's specifications to ensure a proper sink fit

PE	IF
● APC	TWR
☆ APFC	● WR
◇ FPEB	● XS
● MI	XSG
FBC	XSB
DE	IB
OE	● GD
AD_E	● PTKV
● CW	RTK
● RD	RTKP
ID	● VTK
CH	☆ TKD



## Apron Sink Base Extended 27" Deep



Max. cutout height is 11 3/4"  
**APSBE3027 BUTT**  
**APSBE3327 BUTT**  
**APSBE3627 BUTT**  
**APSBE3927 BUTT**  
**APSBE4227 BUTT**  
**APSBE4527 BUTT**  
**APSBE4827 BUTT**

† (TKD) option is unavailable

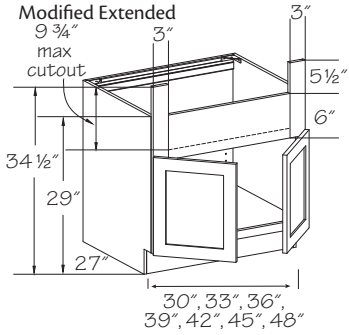
Grey color coding indicates new product, size or code.

### Modified Extended

Max. cutout height is 9 3/4"  
**APSBME3027 BUTT**  
**APSBME3327 BUTT**  
**APSBME3627 BUTT**  
**APSBME3927 BUTT**  
**APSBME4227 BUTT**  
**APSBME4527 BUTT**  
**APSBME4827 BUTT**

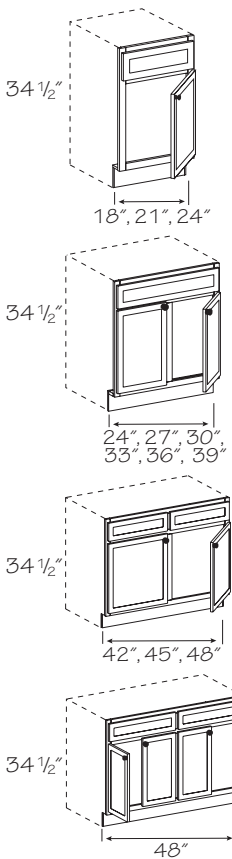
- No shelf
- 3" stiles are routed to 1 1/2" in the door area
- Additional support rails are required—refer to sink manufacturer
- Includes a Touch-Up Kit
- Roll-out Trays are unavailable
- ☆ (APFC) will be supplied when (APC) is selected; cabinets have standard furniture plywood ends
- **Note:** Please check manufacturer's specifications to ensure a proper sink fit

PE	IF
● APC	● TWR
☆ APFC	● WR
✦ FPFB	● XS
● MI	● XSG
FBC	XSB
DE	IB
OE	● GD
AD_E	● PTKV
● CW	RTK
● RD	RTKP
ID	● VTK
CH	☆ TKD



We recommend using a Filler Extension on 27" deep cabinets if adjacent cabinetry will not be pulled flush to the Sink Base

## Sink Front



### One Drawer Front

**SF18 R or L**  
**SF21 R or L**  
**SF24 R or L**  
 ○ **SF24 BUTT**  
**SF27 (Butt)**  
**SF30**  
**SF30 BUTT**  
**SF33**  
**SF33 BUTT**  
**SF36**  
**SF36 BUTT**  
**SF39**

○ (CW) option unavailable

▲ Two pair of butt doors

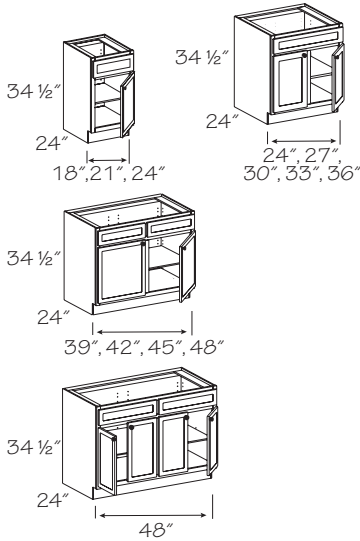
### Two Drawer Fronts

**SF42**  
**SF45**  
**SF48**  
 ○▲ **SF48 BUTT**

- Specify R or L for single door hinging
- Includes floor; shipped loose
- Optional Utensil Trays (UT and SUT) are available
- Unit is unable to be trimmed
- Includes a Touch-Up Kit
- Use (FHK) option to achieve a full-height door look

PE	IF
● APC	● TWR
APFC	● WR
FPFB	● XS
MI	XSG
FBC	XSB
DE	IB
OE	● GD
AD_E	PTKV
☆ CW	RTK
RD	RTKP
ID	VTK
● CH	TKD

### Range Base



*One Drawer Front*

- **RB18 R or L**
- **RB21 R or L**
- **RB24 R or L**
- **RB24 BUTT**
- **RB27 (Butt)**
- **RB30**
- **RB30 BUTT**
- **RB33**
- **RB33 BUTT**
- **RB36**
- **RB36 BUTT**

*Two Drawer Fronts*

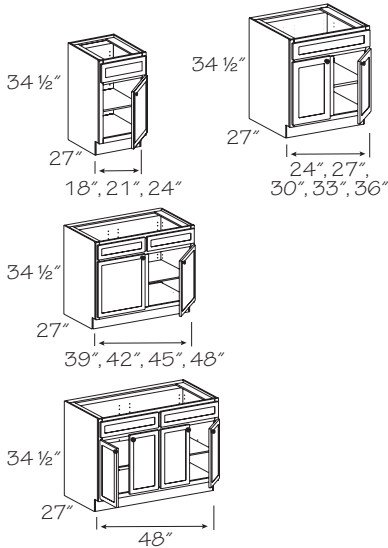
- ◆ **RB39**
- ◆ **RB42**
- ◆ **RB45**
- ◆ **RB48**
- ◆ **RB48 BUTT**

- Specify R or L for single door hinging
- One adjustable shelf
- False drawer front(s)

● PE	● IF
● APC	● TWR
● APFC	● WR
● FPEB	● XS
● MI	● XSG
● FBC	● XSB
● DE	● IB
● OE	☆ GD
● AD_E	● PTKV
☆ CW	● RTK
● RD	● RTKP
● ID	● VTK
● CH	☆ TKD

- (CW) option unavailable
- ◆ Deluxe Dovetailed full-width Trays unavailable
- ✦ (TKD) option is unavailable
- Glass inserts unavailable on ends

### Range Base 27" Deep



*One Drawer Front*

- **RB1827 R or L**
- **RB2127 R or L**
- **RB2427 R or L**
- **RB2427 BUTT**
- **RB2727 (Butt)**
- **RB3027**
- **RB3027 BUTT**
- **RB3327**
- **RB3327 BUTT**
- **RB3627**
- **RB3627 BUTT**

*Two Drawer Fronts*

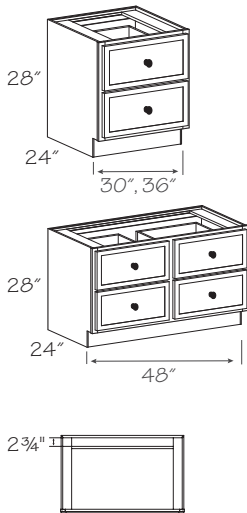
- **RB3927**
- **RB4227**
- **RB4527**
- **RB4827**
- **RB4827 BUTT**

- Specify R or L for single door hinging
- One adjustable shelf
- False drawer front(s)
- Roll-out Trays are unavailable
- ☆ (XSB) can be extended 9" max.

● PE	● IF
● APC	● TWR
● APFC	● WR
● FPEB	● XS
● MI	● XSG
● FBC	☆ XSB
● DE	● IB
● OE	☆ GD
● AD_E	● PTKV
☆ CW	● RTK
● RD	● RTKP
● ID	● VTK
● CH	● TKD

- Glass inserts unavailable on ends
- (CW) option unavailable

### Deep Range Base



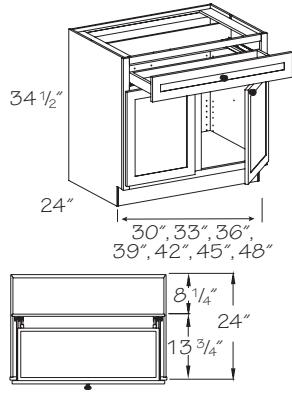
- **DRB302428**
- **DRB362428**
- **DRB482428**

- (CW) option unavailable

- Accommodates cook tops, with or without front mounted controls
- 7" deep drawers
- Supplied with a 3" high filler to accommodate different range heights
- ☆ Min. (RD) is 21"
- **Note:** Please check manufacturer's specifications to ensure proper cooktop fit

● PE	● IF
● APC	● TWR
● APFC	● WR
● FPEB	● XS
● MI	● XSG
● FBC	● XSB
● DE	● IB
● OE	● GD
● AD_E	● PTKV
☆ CW	● RTK
☆ RD	● RTKP
● ID	● VTK
● CH	● TKD

## Down Draft Base



One Drawer Front

- DDB30 BUTT**
- DDB33 BUTT**
- DDB33 BUTT**
- DDB36**
- DDB36 BUTT**
- DDB39**

Two Drawer Fronts

- DDB42**
- + DDB45**
- + DDB48**
- + DDB48 BUTT**

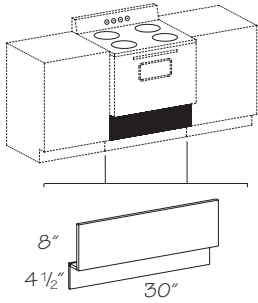
- ▲ Available with (IB) option
- ✦ (TKD) option is unavailable
- ◆ Two pair of butt doors

- Factory installed Roll-out Trays are unavailable
- Top drawer will have scooped drawer option, 2 1/4" high, 11 13/16" deep drawer box
- Unavailable with any installed drawer box accessories
- Unavailable with (FHK) option
- **Note:** Designed to be used with rear vent systems; **not** designed for center vent systems

● PE	IF
● APC	TWR
● APFC	● WR
● FPEB	● XS
● MI	XSG
● FBC	XSB
DE	☆ IB
OE	GD
● AD_E	● PTKV
CW	● RTK
RD	● RTKP
ID	● VTK
CH	☆ TKD

## Drop-in Range Panel

DIP30

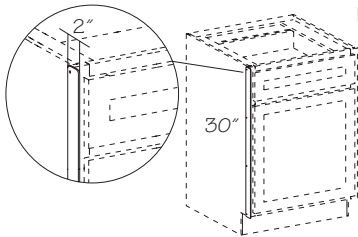


- Matching front panel may be trimmed to fit drop-in range
- Toe kick included

PE	IF
APC	TWR
APFC	WR
FPEB	XS
MI	XSG
FBC	XSB
DE	IB
OE	GD
AD_E	PTKV
CW	RTK
RD	RTKP
ID	VTK
CH	TKD

## Heat Shield

HSD



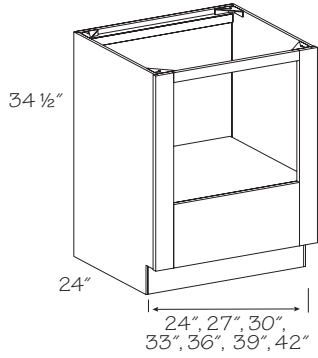
- 1/16" thick
- Two clear acrylic heat shields with installation screws
- Recommended to shield Thermofoil and Foil door styles from adjacent oven heat
- Required for warranty on Foil door styles



Remember, when ordering Foil doors, order a Heat Shield(s) (HSD) to apply to the base cabinet(s) adjacent to the oven.

PE	IF
APC	TWR
APFC	WR
FPEB	XS
MI	XSG
FBC	XSB
DE	IB
OE	GD
AD_E	PTKV
CW	RTK
RD	RTKP
ID	VTK
CH	TKD

### Base Oven Cabinet Universal



- **BOCU24**
- **BOCU27**
- **BOCU30**
- **BOCU33**
- \* **BOCU36**
- \* **BOCU39**
- \* **BOCU42**
- (CW) option unavailable
- \* 4 1/2" stiles

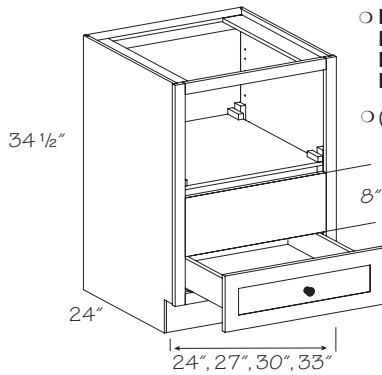
- Adjustable plywood floor
- 3" stiles
- For undercounter mounting of single ovens
- Contrasting Back Options (CBEB, CPLB) unavailable
- (MIFA) option is available
- ☆ (CH) and (CW) changes will occur in the cabinet opening - stiles and rails will **not** change
- Backless construction used in appliance opening area

● PE	IF
● APC	TWR
● APFC	● WR
● FPEB	● XS
● MI	XSG
● FBC	● XSB
DE	IB
OE	GD
● AD_E	● PTKV
☆ CW	RTK
● RD	RTKP
ID	● VTK
☆ CH	● TKD

Cabinet Width	Min. Width	Max. Width	Min. Height	Max.* Height	Max Trim on Top Rail*	Max Trim on Top Rail - Factory	Max Trim on Bottom Rail
24"	18"	22"	18 3/4"	28 3/4"	1 1/2"	0"	8 1/2"
27"	21"	25"	18 3/4"	28 3/4"	1 1/2"	0"	8 1/2"
30"	24"	28"	18 3/4"	28 3/4"	1 1/2"	0"	8 1/2"
33"	27"	31"	18 3/4"	28 3/4"	1 1/2"	0"	8 1/2"
36"	27"	34"	18 3/4"	28 3/4"	1 1/2"	0"	8 1/2"
39"	30"	37"	18 3/4"	28 3/4"	1 1/2"	0"	8 1/2"
42"	33"	40"	18 3/4"	28 3/4"	1 1/2"	0"	8 1/2"

\* Includes removal of top rail

### Base Built-in Microwave Cabinet



- **BBMC242434**
- **BBMC272434**
- **BBMC302434**
- **BBMC332434**
- (CW) option unavailable

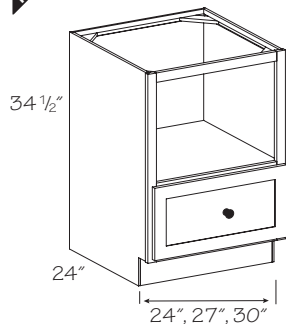
- Adjustable floor
- Plywood floor
- Drawer height is 4"
- Accepts manufacturer's trim kit
- Backless construction used in appliance opening area
- (MIFA) option is available

● PE	IF
● APC	TWR
● APFC	● WR
● FPEB	● XS
◇ MI	XSG
● FBC	● XSB
DE	IB
OE	GD
● AD_E	● PTKV
☆ CW	● RTK
● RD	● RTKP
● CH	● VTK
● TKD	

Cabinet Width	Min. Width	Max. Width	Min. Height	Max. Height	Max Trim on Top Rail	Max Trim on Bottom Rail
24"	21"	22"	14"	18"	0"	4"
27"	24"	25"	14"	18"	0"	4"
30"	27"	28"	14"	18"	0"	4"
33"	30"	31"	14"	18"	0"	4"



New



### Base Microwave Cabinet 34 1/2" H w/Flush Bottom and Deep Bottom Drawer

Opening: Width 21";  
Height 16"

○ **FBMC242434**

Opening: Width 24";  
Height 16"

**FBMC272434**

Opening: Width 27";  
Height 16"

**FBMC302434**

○ (CW) option unavailable

Grey color coding indicates new product, size or code.

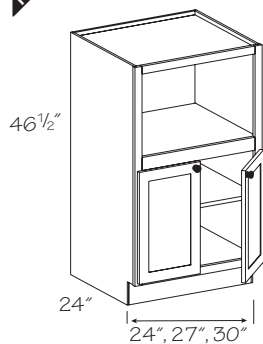
- Floor will be flush with frame rails in the appliance section
- Deep bottom drawer
- Designed for countertop style microwaves
- ☆ (CH) modified in open section of cabinet
- ☆ Max. (ID) is 27"



When ordering an unfinished cabinet that has standard (MIV), you must use (MIP, MIFP or FPEB) to get a wood veneer matching interior. If the cabinet is Wood Veneer standard, ordered as (APC or FPEB, APFC), wood veneer matching interior will be standard

● PE	● IF
● APC	● TWR
● APFC	● WR
● FPEB	● XS
◇ MI	● XSG
● FBC	● XSB
DE	IB
OE	GD
● AD_E	● PTKV
☆ CW	● RTK
● RD	● RTKP
☆ ID	● VTK
● CH	● TKD

New



### Base Microwave Cabinet w/Flush Bottom 46 1/2" H

Opening: Width 21";  
Height 16"

○ **FBMC242446**

Opening: Width 24";  
Height 16"

**FBMC272446**

Opening: Width 27";  
Height 16"

**FBMC302446**

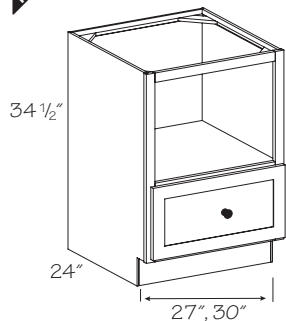
○ (CW) option unavailable

Grey color coding indicates new product, size or code.

- Floor will be flush with frame rails in the appliance section
- One adjustable shelf
- Standard cabinet ceiling construction, finished top required
- Designed for countertop style microwaves
- Use Microwave Kit – Compact (CMCK) to reduce opening height to 13"
- Max. (ID) is 27"

● PE	● IF
● APC	● TWR
● APFC	● WR
● FPEB	● XS
◇ MI	● XSG
● FBC	● XSB
DE	IB
OE	● GD
● AD_E	● PTKV
☆ CW	● RTK
● RD	● RTKP
☆ ID	● VTK
● CH	● TKD

New



### Base Microwave Cabinet 34 1/2" H w/Flush Bottom and Bottom Drawer-Extended Opening

Opening: Width 24";  
Height 19"

**FBMCE272434**

Opening: Width 27";  
Height 19"

**FBMCE302434**

Grey color coding indicates new product, size or code.

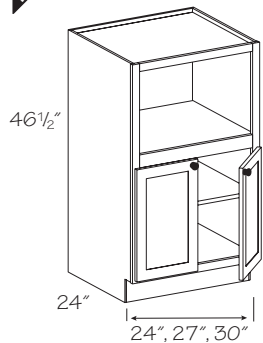
- Floor will be flush with frame rails in the appliance section
- 4" high drawer box
- Designed for countertop style microwaves
- Max. (ID) is 27"



When ordering an unfinished cabinet that has standard (MIV), you must use (MIP, MIFP or FPEB) to get a wood veneer matching interior. If the cabinet is Wood Veneer standard, ordered as (APC or FPEB, APFC), wood veneer matching interior will be standard

● PE	● IF
● APC	● TWR
● APFC	● WR
● FPEB	● XS
◇ MI	● XSG
● FBC	● XSB
DE	IB
OE	GD
● AD_E	● PTKV
● CW	● RTK
● RD	● RTKP
☆ ID	● VTK
● CH	● TKD

New



### Base Microwave Cabinet w/Flush Bottom 46 1/2" H-Extended Opening

Opening: Width 21";  
Height 19"

○ **FBMCE242446**

Opening: Width 24";  
Height 19"

**FBMCE272446**

Opening: Width 27";  
Height 19"

**FBMCE302446**

○ (CW) option unavailable

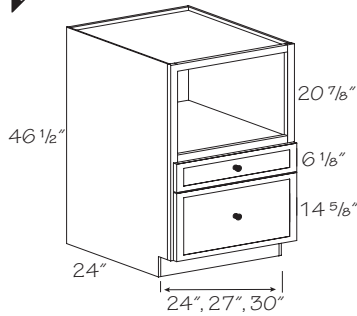
Grey color coding indicates new product, size or code.

- Floor will be flush with frame rails in the appliance section
- One adjustable shelf
- Standard cabinet ceiling construction, finished top required
- Designed for countertop style microwaves
- Use Microwave Kit – Compact (CMCK) to reduce opening height to 13"
- Max. (ID) is 27"

● PE	● IF
● APC	● TWR
● APFC	● WR
● FPEB	● XS
◇ MI	● XSG
● FBC	● XSB
DE	IB
OE	● GD
● AD_E	● PTKV
☆ CW	● RTK
● RD	● RTKP
☆ ID	● VTK
● CH	● TKD

New

### Base Microwave Cabinet w/Flush Bottom 46 1/2" H w/Drawers-Extended Opening



- Opening: Width 21"; Height 19"  
○ **FBMCDE242446**
- Opening: Width 24"; Height 19"  
**FBMCDE272446**
- Opening: Width 27"; Height 19"  
**FBMCDE302446**
- (CW) option unavailable

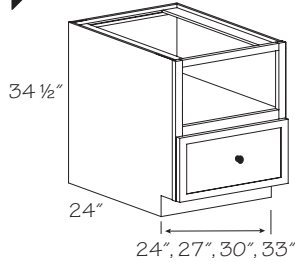
Grey color coding indicates new product, size or code.

- Floor will be flush with frame rails in the appliance section
- One 14 5/8" H and one 6 1/8" H full overlay drawer front
- Standard cabinet ceiling construction, finished top required
- Designed for countertop style microwaves
- Use Microwave Kit – Compact (CMCK) to reduce opening height to 13"
- Max. (ID) is 27"

● PE	IF
● APC	TWR
● APFC	● WR
● FPEB	● XS
◆ MI	● XSG
FBC	XSB
DE	IB
OE	GD
AD_E	● PTKV
☆ CW	● RTK
● RD	● RTKP
☆ ID	● VTK
CH	● TKD

New

### Base Microwave Drawer w/Flush Bottom



- **FBMDC242434 .1**
  - FBMDC272434 .1**
  - FBMDC302434 .1**
  - FBMDC332434 .1**
  - **FBMDC242434 .2**
  - FBMDC272434 .2**
  - FBMDC302434 .2**
  - FBMDC332434 .2**
  - **FBMDC242434 .3**
  - FBMDC272434 .3**
- (CW) option unavailable

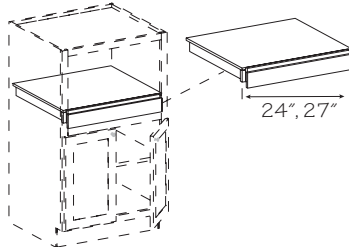
Grey color coding indicates new product, size or code.

Cutout	
14 13/16" H x 22 1/8" W	
14 13/16" H x 22 1/8" W	
14 13/16" H x 28 7/16" W	
14 13/16" H x 28 7/16" W	
15 3/16" H x 22 1/4" W	
15 3/16" H x 22 1/4" W	
15 3/16" H x 28 1/2" W	
15 3/16" H x 28 1/2" W	
15 9/16" H x 22 1/8" W	
15 9/16" H x 22 1/8" W	

- Floor will be flush with frame rails in the appliance section
- Deep drawer designed for microwave drawer appliances; please check manufacturers specifications for opening requirements
- 24" and 30" wide cabinets have 1 1/2" frame stiles
- 27" and 33" wide cabinets have 3" frame stiles
- Frame reveals will vary after appliances are installed based on cabinet width
- Backless construction used in appliance opening area
- Max. (ID) is 27"

● PE	IF
● APC	TWR
● APFC	● WR
● FPEB	● XS
◆ MI	● XSG
● FBC	● XSB
DE	IB
OE	GD
● AD_E	● PTKV
☆ CW	● RTK
● RD	● RTKP
☆ ID	● VTK
CH	● TKD

### Microwave Kit - Compact

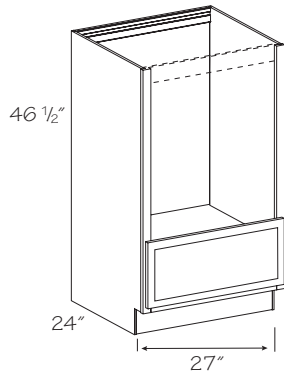


**CMCK24**  
**CMCK27**

- Kit designed to reduce opening height of Base Microwave Cabinet to 13"
- Slab drawer front in all door styles; DRPD unavailable
- Painted hardwood supplied for EverCore®

PE	IF
● APC	TWR
APFC	WR
FPEB	XS
◆ MI	XSG
FBC	XSB
DE	IB
OE	GD
AD_E	PTKV
CW	RTK
● RD	RTKP
ID	VTK
CH	TKD

## Base Dishwasher Cabinet BDW272446



- Allows for 11" raised installation of standard dishwashers
- False drawer front
- Finished top required
- Plywood floor
- Top rail is removable (used for shipping purposes only)
- ☆ Only available with (RTKP); unable to accommodate (RTKPB, RTKPL, RTKPR)

● PE	IF
● APC	TWR
● APFC	● WR
● FPEB	● XS
MI	XSG
FBC	XSB
DE	IB
OE	GD
AD_E	● PTKV
CW	RTK
RD	☆ RTKP
ID	● VTK
CH	TKD



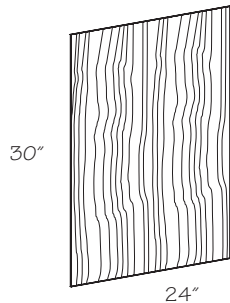
Consider ordering 46 1/2" high Base Microwave (BMC) and Dishwasher (BDW)

Cabinets with Furniture Plywood Ends (FPEB) to bring the sides flush with the face frame. This will prevent having to notch the countertop of an adjacent cabinet to fit behind the face frame.



Consider using a three-drawer stack adjacent to this cabinet. The bottom false front will align with the bottom drawer base cabinets.

## Dishwasher Panel DWP



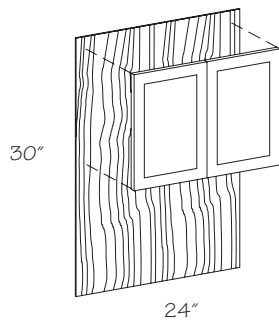
- 3/16" thick, plain panel
- Painted hardwood supplied for EverCore®
- Painted or Stained hardwood supplied for Wood-Grain Foil door styles
- Trim to fit
- Dishwasher Panels are designed to provide a decorative look to the front of dishwashers

PE	IF
APC	TWR
APFC	WR
FPEB	XS
MI	XSG
FBC	XSB
DE	IB
OE	GD
AD_E	PTKV
CW	RTK
RD	RTKP
ID	VTK
CH	TKD



Check dishwasher manufacturer's specification for Dishwasher Panel compatibility

## Dishwasher Raised Panel DWP .RP



- Full overlay door styles receive one 22 3/8" wide by 15 3/4" high door. Half overlay door styles receive two 10 29/32" wide by 26" high doors. (Style and color to match kitchen)
- Mounted to matching 3/16" wood veneer or laminate panel
- Crafted door styles are mounted to a plain sawn wood veneer panel
- Quartersawn Oak door styles are mounted to matching 3/16" quartersawn wood veneer panel
- Universally sized; trim to fit
- Dishwasher Panels are designed to provide a decorative look to the front of dishwashers. "Raised Panel" indicates the application of a door panel to the backer panel

PE	IF
APC	TWR
APFC	WR
FPEB	XS
MI	XSG
FBC	XSB
DE	IB
OE	GD
AD_E	PTKV
CW	RTK
RD	RTKP
ID	VTK
CH	TKD

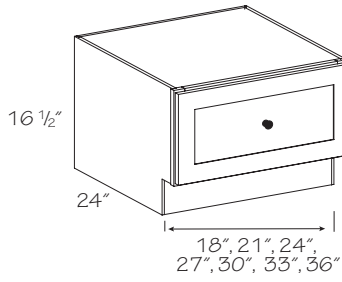


Check dishwasher manufacturer's specification for Dishwasher Panel compatibility



Consider ordering a DWP and a replacement door(s) to create a different configuration if desired. Field Installed.

### Pedestal Drawer



PSD18  
PSD21  
PSD24  
PSD27  
PSD30  
PSD33  
PSD36

- 24" wide unit will house a single dishwasher drawer when installed between two cabinets
- Unable to be used for washing machines or dryers

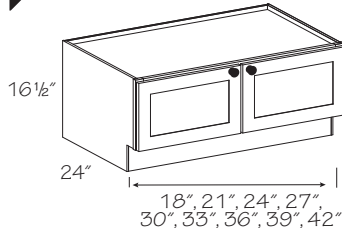


This cabinet can be used for bench seating. Add a wood top for a finished look.

● PE	IF
● APC	TWR
● APFC	● WR
● FPFB	● XS
● MI	XSG
● FBC	● XSB
DE	IB
OE	GD
● AD_E	● PTKV
● CW	RTK
● RD	RTKP
ID	VTK
CH	● TKD

New

### Pedestal Door



PSDO18 R or L  
PSDO21 R or L  
○ PSDO24 BUTT  
PSDO27 (Butt)  
PSDO30 BUTT  
PSDO33 BUTT  
PSDO36 BUTT  
PSDO39  
PSDO42

○ (CW) option unavailable

Grey color coding indicates new product, size or code.

- Specify R or L for single door hinging
- 24" wide unit will house a single dishwasher drawer when installed between two cabinets
- Unable to be used for washing machines or dryers
- Cabinet can be used as bench seating
- Factory installed Roll-out Trays available for easy access on 18"-36" cabinets; Field installed Roll-out Trays available on 39" and 42"



Consider Change Width (CW), Change Height (CH) and Reduced Depth (RD) options to replicate a Wall Cabinet with toe kick

● PE	IF
● APC	TWR
● APFC	● WR
● FPFB	● XS
● MI	● XSG
● FBC	● XSB
DE	IB
OE	GD
AD_E	● PTKV
☆ CW	RTK
● RD	RTKP
ID	VTK
● CH	● TKD

# Base Peninsula Cabinets

## Construction Options and Modifications

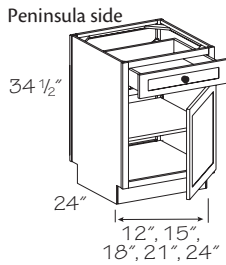
- ❖ Included as standard
- Available with an upcharge
- ☆ Available with exceptions
- (Blank) Unavailable

- PE Plywood Ends
- APC All Plywood Construction
- APFC All Plywood Furniture Construction
- FPEB Furniture Plywood Ends
- MI Matching Interior
- DE Integrated Decorative End
- AD\_E Attached Decorative End
- CW Change Width
- RD Reduced Depth
- CH Change Height
- IF Inverted Frame
- TWR Top Wide Rail
- WR Wide Bottom Rail
- XS Extended Stile
- GD Glass Doors
- RTK Recessed Toe Kick
- RTKP Recessed Toe Kick Peninsula
- VTK Void Toe Kick

Remember, a cabinet designated BUTT or (Butt) has no center stile. When BUTT is in all capitals, please include as part of your ordering nomenclature. A (Butt) in parentheses is for your information and isn't required on an order form.

Material dimensions listed may vary slightly from actual dimensions of the product. Specifications subject to change without notice.

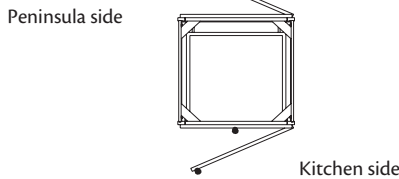
### Peninsula Base Single Door



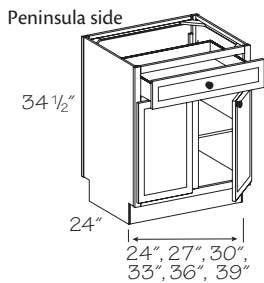
- PB12 R or L**
- PB15 R or L**
- PB18 R or L**
- PB21 R or L**
- PB24 R or L**

- Specify R or L for door hinging on kitchen side
- One adjustable shelf
- False drawer front on peninsula side
- Both doors hinged on same end panel

● PE	● CH
● APC	● IF
● APFC	● TWR
● FPEB	● WR
● MI	● XS
● DE	● GD
● AD_E	● RTK
● CW	❖ RTKP
● RD	● VTK



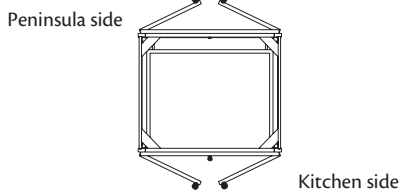
### Peninsula Base Double Door



- |   |  |
|---|--|
| <p><i>One drawer</i></p> <ul style="list-style-type: none"> <li>○ <b>PB24 BUTT</b></li> <li><b>PB27 (Butt)</b></li> <li><b>PB30</b></li> <li><b>PB30 BUTT</b></li> <li><b>PB33</b></li> <li><b>PB33 BUTT</b></li> <li><b>PB36</b></li> <li><b>PB36 BUTT</b></li> <li><b>PB39</b></li> </ul> | <p><i>Two drawers</i></p> <ul style="list-style-type: none"> <li><b>PB30 .2D</b></li> <li><b>PB33 .2D</b></li> <li><b>PB36 .2D</b></li> <li><b>PB39 .2D</b></li> <li><b>PB42</b></li> <li><b>PB45</b></li> <li><b>PB48</b></li> <li>○▲ <b>PB48 BUTT</b></li> </ul> |
|---|--|

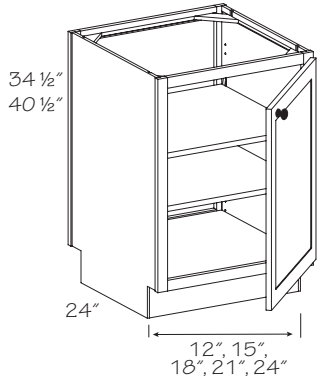
- One adjustable shelf
- False drawer front on peninsula side
- ☆ Glass inserts unavailable on ends

● PE	● CH
● APC	● IF
● APFC	● TWR
● FPEB	● WR
● MI	● XS
● DE	☆ GD
● AD_E	● RTK
☆ CW	❖ RTKP
● RD	● VTK



- (CW) option unavailable
- ▲ Four pair of butt doors

**Peninsula Base Full-Height Single Door**

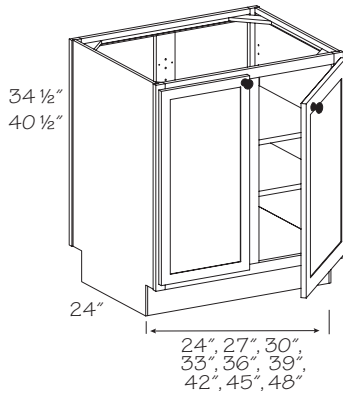


- Two shelves
- 34 1/2" High
- PB12 R or L.FH**
- PB15 R or L.FH**
- PB18 R or L.FH**
- PB21 R or L.FH**
- PB24 R or L.FH**
- Three shelves
- 40 1/2" High
- PB122440 R or L.FH**
- PB152440 R or L.FH**
- PB182440 R or L.FH**
- PB212440 R or L.FH**
- PB242440 R or L.FH**

- Specify R or L for door hinging on kitchen side
- Adjustable shelves
- Both doors hinged on same end panel

● PE	● CH
● APC	● IF
● APFC	● TWR
● FPEB	● WR
● MI	● XS
● DE	● GD
● AD_E	● RTK
● CW	◆ RTKP
● RD	● VTK

**Peninsula Base Full-Height Double Door**

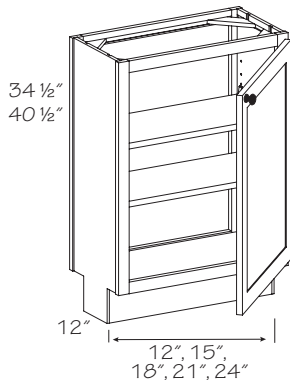


- Two shelves
- 34 1/2" High
- **PB24 BUTT.FH**
- **PB27 (Butt).FH**
- **PB30 .FH**
- **PB30 BUTT.FH**
- **PB33 .FH**
- **PB33 BUTT.FH**
- **PB36 .FH**
- **PB36 BUTT.FH**
- **PB39 .FH**
- **PB42 .FH**
- **PB45 .FH**
- **PB48 .FH**
- **PB48 BUTT.FH**
- (CW) option unavailable
- Three shelves
- 40 1/2" High
- **PB242440 BUTT.FH**
- **PB272440 (Butt).FH**
- **PB302440 .FH**
- **PB302440 BUTT.FH**
- **PB332440 .FH**
- **PB332440 BUTT.FH**
- **PB362440 .FH**
- **PB362440 BUTT.FH**

- Adjustable shelves
- ☆ Glass inserts unavailable on ends

● PE	● CH
● APC	● IF
● APFC	● TWR
● FPEB	● WR
● MI	● XS
● DE	☆ GD
● AD_E	● RTK
☆ CW	◆ RTKP
● RD	● VTK

**Peninsula Base Full-Height Single Door 12" Deep**

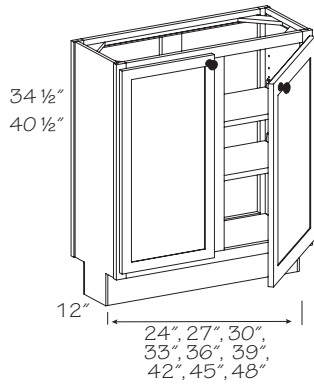


- Two shelves
- 34 1/2" High
- PB1212 R or L.FH**
- PB1512 R or L.FH**
- PB1812 R or L.FH**
- PB2112 R or L.FH**
- PB2412 R or L.FH**
- Three shelves
- 40 1/2" High
- PB121240 R or L.FH**
- PB151240 R or L.FH**
- PB181240 R or L.FH**
- PB211240 R or L.FH**
- PB241240 R or L.FH**

- Specify R or L for door hinging on kitchen side
- Adjustable shelves
- Both doors hinged on same end panel

● PE	● CH
● APC	● IF
● APFC	● TWR
● FPEB	● WR
● MI	● XS
● DE	● GD
● AD_E	● RTK
● CW	◆ RTKP
● RD	● VTK

### Peninsula Base Full-Height Double Door 12" Deep



- Two shelves*  
 34 1/2" High
- PB2412 BUTT.FH
  - PB2712 (Butt).FH
  - PB3012 .FH
  - PB3012 BUTT.FH
  - PB3312 .FH
  - PB3312 BUTT.FH
  - PB3612 .FH
  - PB3612 BUTT.FH
  - PB3912 .FH
  - PB4212 .FH
  - PB4512 .FH
  - PB4812 .FH
  - ▲ PB4812 BUTT.FH

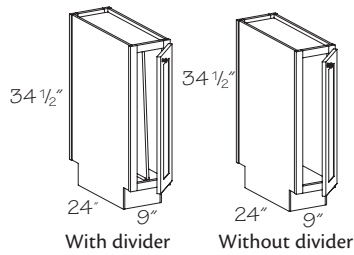
- Three shelves*  
 40 1/2" High
- PB241240 BUTT.FH
  - PB271240 (Butt).FH
  - PB301240 .FH
  - PB301240 BUTT.FH
  - PB331240 .FH
  - PB331240 BUTT.FH
  - PB361240 .FH
  - PB361240 BUTT.FH

- Specify R or L for door hinging on kitchen side
- Adjustable shelves
- ☆ Glass inserts unavailable on ends

● PE	● CH
● APC	● IF
● APFC	● TWR
● FPFB	● WR
● MI	● XS
● DE	☆ GD
● AD_E	● RTK
☆ CW	◇ RTKP
● RD	● VTK

- (CW) option unavailable
- ▲ Two pair of butt doors

### Peninsula Base Full-Height Single Door 9" Wide



- With Tray Divider*  
 ■ PB9 R or L
- Without Tray Divider*  
 ■ PB9 R or L.VTD
- Unavailable with (OE) option

- Specify R or L for single door hinging
- One full-height tray divider
- Both doors hinged on same end panel
- ☆ Tray divider unavailable when (RD) option of less than 6" is selected
- ☆ (RTKPB) unavailable

● PE	● CH
● APC	● IF
● APFC	● TWR
● FPFB	● WR
● MI	● XS
● DE	● GD
● AD_E	☆ RTK
● CW	● RTKP
☆ RD	● VTK

# Base Specialty Cabinets

<b>BTP</b>	<b>9</b>
code	width

Remember, a cabinet designated BUTT or (Butt) has no center stile. When BUTT is in all capitals, please include as part of your ordering nomenclature. A (Butt) in parentheses is for your information and isn't required on an order form.

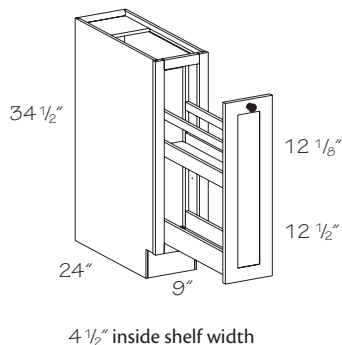
Material dimensions listed may vary slightly from actual dimensions of the product. Specifications subject to change without notice.

## Construction Options and Modifications

- ❖ Included as standard
- Available with an upcharge
- ☆ Available with exceptions
- (Blank) Unavailable

- PE Plywood Ends
- APC All Plywood Construction
- APFC All Plywood Furniture Construction
- FPEB Furniture Plywood Ends
- MI Matching Interior
- FBC Flush Back Construction
- DE Integrated Decorative End
- AD\_E Attached Decorative End
- CW Change Width
- RD Reduced Depth
- CH Change Height
- IF Inverted Frame
- TWR Top Wide Rail
- WR Wide Bottom Rail
- XS Extended Stile
- XSG Integrated Extended Stile
- XSB Extended Side Back
- IB Integrated Base
- GD Glass Doors
- PTKV Prepared for Toe Kick Vent
- RTK Recessed Toe Kick
- RTKP Recessed Toe Kick Peninsula
- VTK Void Toe Kick
- TKD Toe Kick Drawer

### Base Liter Bottle BLB9

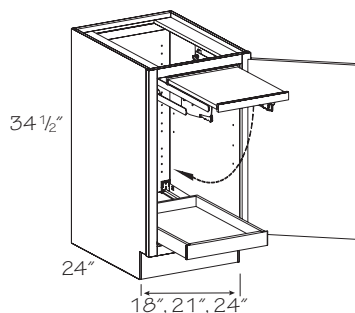


- Designed to hold ten 2-liter bottles; capacity may vary depending on bottle dimension
- Two fixed wood shelves attached to a full-height door
- Unit slides on heavy duty full extension runners with integrated buffer
- Veranda doors will have a solid, recessed flat panel
- ☆ (RTKB) unavailable
- ☆ (RTKPB) unavailable
- **Note:** Unable to accommodate 3-liter bottles

● PE	● TWR
● APC	● WR
● APFC	● XS
● FPEB	● XSG
● MI	● XSB
● FBC	● IB
● DE	● GD
● AD_E	● PTKV
● CW	☆ RTK
● RD	☆ RTKP
● CH	● VTK
● IF	● TKD

### Base Mixer Shelf

- BMS18 R or L**
- BMS21 R or L**
- BMS24 R or L**
- BMS24 BUTT**

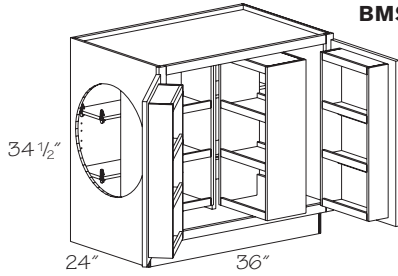


- Specify R or L for single door hinging
- Full-height door
- One Roll-out Tray
- Bottom Rollout Tray includes full extension soft close runners
- Max. appliance height is 16"
- Lift mechanism includes a soft close/cushion feature when lowered back into the cabinet
- Weight capacity is adjustable up to 60 lbs; unit shipped at 30 lbs. capacity

● PE	● TWR
● APC	● WR
● APFC	● XS
● FPEB	● XSG
● MI	● XSB
● FBC	● IB
● DE	● GD
● AD_E	● PTKV
● CW	● RTK
● RD	● RTKP
● CH	● VTK
● IF	● TKD



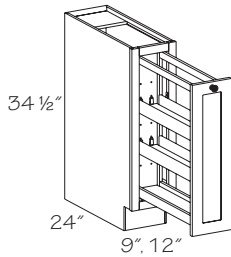
### Base Multi-Storage Pantry BMSP36



- Adjustable 7 1/8" deep shelves
- Swing-out shelves operate within a 90° door opening
- Two 4" deep door storage racks with three fixed shelves
- Two 8" deep double sided swing-out storage racks with three fixed shelves
- Contrasting Back Options (CBEB, CPLB) unavailable

● PE	● TWR
● APC	● WR
● APFC	● XS
● FPFB	● XSG
● MI	● XSB
● FBC	● IB
● DE	● GD
● AD_E	● PTKV
● CW	● RTK
● RD	● RTKP
● CH	● VTK
● IF	● TKD

### Base Pantry Pull-out



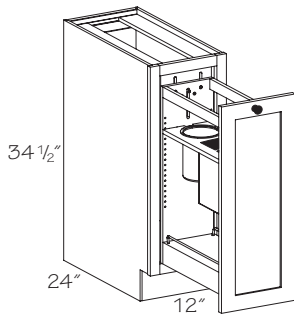
- ◆ BPP9 4 1/2" shelf width
- ◆ BPP12 7 1/2" shelf width

- \* Veranda doors will have a solid, recessed flat panel
- ◆ (RTKB) unavailable
- (RTKPB) unavailable

- Two adjustable shelves
- One fixed wood shelf attached to the bottom of a full-height door
- Unit slides on full extension under-mount soft close runners

● PE	● TWR
● APC	● WR
● APFC	● XS
● FPFB	● XSG
● MI	● XSB
● FBC	● IB
● DE	● GD
● AD_E	● PTKV
● CW	☆ RTK
● RD	☆ RTKP
● CH	● VTK
● IF	● TKD

### Base Pantry Pull-out Utensil Storage

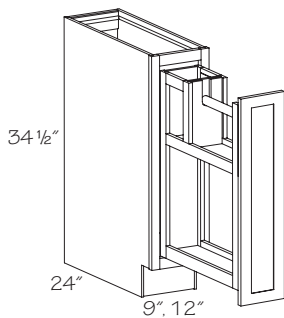


- ◆ BPPUS12 7 1/2" shelf width

- One adjustable shelf with two universal knife inserts measuring 4 3/4" x 4 3/4" x 9" deep, and one steel utensil bin
- Unit slides on full extension under-mount soft close runners

● PE	● TWR
● APC	● WR
● APFC	● XS
● FPFB	● XSG
● MI	● XSB
● FBC	● IB
● DE	● GD
● AD_E	● PTKV
● CW	● RTK
● RD	● RTKP
● CH	● VTK
● IF	● TKD

### Base Cleaning Storage Cabinet

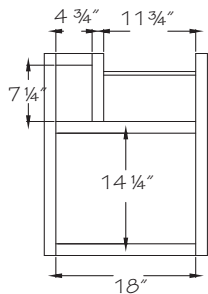


- ◆ BCS9
- ◆ BCS12
- With Auto-open Kit
- ◆ BCS9 .AO
- ◆ BCS12 .AO

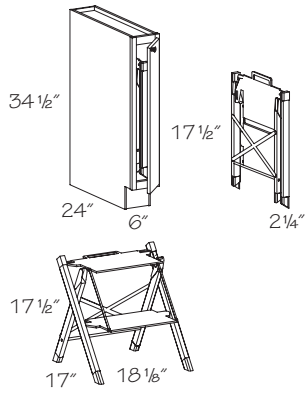
- \* (RTKB) unavailable
- ◆ (TKD) option is unavailable
- ◆ (RTKPB) unavailable
- ★ Available in full overlay door styles only
- Frame stiles are 15/16" wide

- Paper towel holder
- Upper and lower storage space
- Unit slides on full extension under-mount soft close runners
- Pressing door front will activate Auto-open; closes like a standard drawer with soft close
- Auto-open Kit requires 110V power source at back of cabinet
- Permaset bumpers are unavailable on doors ordered with the Auto-open Kit
- Auto-open Kit feature offers programmable stop
- ☆ Auto-open cabinets unavailable with (FBC) option
- **Note:** Auto-open Kit requires field installation

● PE	● TWR
● APC	● WR
● APFC	● XS
● FPFB	● XSG
● MI	● XSB
☆ FBC	● IB
● DE	● GD
● AD_E	● PTKV
● CW	☆ RTK
● RD	☆ RTKP
● CH	● VTK
● IF	☆ TKD



### Base Step Stool Cabinet BSS6 R or L

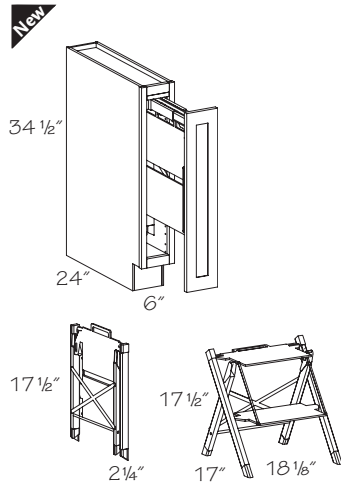


- Specify R or L for single door hinging
- Available in full overlay only
- Frame stiles are 15/16" wide
- Replacement Hinge: PH34FO.SC
- Ladder Weight Capacity 250 lbs.
- Wide Rail Plain only (WR)
- ☆ (RTKB) unavailable
- ☆ (RTKPB) unavailable
- Door defaults to a slab design with an outside profile matching the selected door style
- ☆ Height unable to be reduced less than 34 1/2" and max height is 42"

● PE	● TWR
● APC	☆ WR
● APFC	● XS
FPEB	XSG
● MI	● XSB
● FBC	IB
DE	GD
AD_E	PTKV
CW	☆ RTK
RD	☆ RTKP
☆ CH	● VTK
IF	TKD

### Base Step Stool Pullout BSSP6

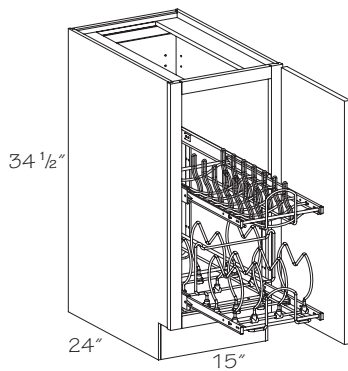
*Grey color coding indicates new product, size or code.*



- Frame rails are 15/16" wide
- Available in full overlay door styles only
- Full-height door
- Step ladder is accessible from both right and left sides; mounting hooks are reversible; ladder shipped separately from cabinet
- Ladder Weight Capacity 250 lbs.
- ☆ Wide Rail Plain only (WR)
- Door defaults to a slab design with an outside profile matching the selected door style
- ☆ (RTKB) unavailable
- ☆ (RTKPB) unavailable

● PE	● TWR
● APC	☆ WR
● APFC	● XS
● FPEB	XSG
● MI	● XSB
● FBC	IB
● DE	GD
● AD_E	PTKV
CW	☆ RTK
RD	☆ RTKP
CH	● VTK
IF	TKD

### Tiered Pan and Lid Storage Pull-out B15 R or L.FH.TPLS



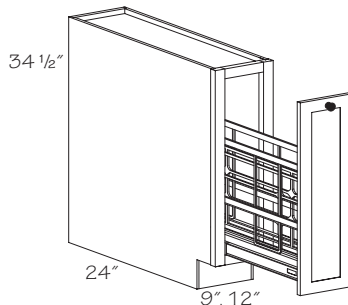
- Specify R or L for single door hinging
- Chrome wire roll-out unit
- Pull-out unit is 11 5/8" wide
- Bottom portion of pull-out has movable dividers and is adjustable to accommodate different pan sizes
- Unit slides on full extension side-mount runners

● PE	● TWR
● APC	● WR
● APFC	● XS
● FPEB	XSG
● MI	● XSB
● FBC	IB
● DE	GD
● AD_E	● PTKV
CW	● RTK
RD	● RTKP
CH	● VTK
IF	● TKD

### Base Tray Pull-out

※◆ BTP9  
BTP12

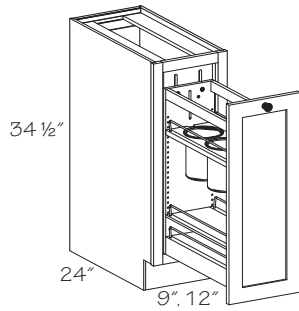
- ※ Veranda doors will have a solid, recessed flat panel
- ◆ (RTKB) unavailable
- (RTKPB) unavailable



- Unit slides on full extension under-mount soft close runners
- Center tray divider can be removed
- Chrome rack with T-Bar included to subdivide sections for customized compartments

● PE	● TWR
● APC	● WR
● APFC	● XS
● FPEB	XSG
● MI	● XSB
● FBC	IB
● DE	GD
● AD_E	PTKV
CW	☆ RTK
RD	☆ RTKP
CH	● VTK
IF	TKD

### Base Utensil Pull-out



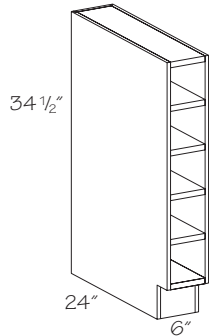
- ◆◆ **BUP9** 5" canisters
- ◆◆ **BUP12** 5 1/2" canisters
- ◆ (RTKB) unavailable
- (RTKPB) unavailable
- ✦ (TKD) option is unavailable

- One adjustable shelf with three metal storage canisters and one adjustable plain shelf with chrome galley rails. Canister depth is 5 3/4" for BUP9; 6 3/4" for BUP12
- 9" cabinet measures 5" wide with 4 1/2" clearance between the metal rails. Contains a secondary adjustable shelf
- 12" cabinet measures 8" wide with 7/12" clearance between the metal rails. Does **not** contain a secondary adjustable shelf
- Unit slides on full extension under-mount soft close runners

● PE	● TWR
● APC	● WR
● APFC	● XS
● FPFB	● XSG
● MI	● XSB
● FBC	● IB
● DE	● GD
● AD_E	● PTKV
● CW	☆ RTK
● RD	☆ RTKP
● CH	● VTK
● IF	☆ TKD

### Base Wine Rack

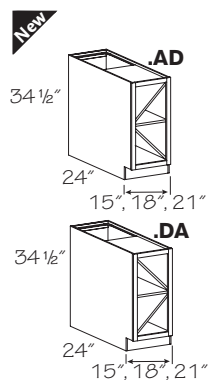
#### BWR6



- Wood veneer construction with 1/2" end panels; **not** available in plywood
- Four fixed shelves
- Bottle stop pin placed at 12"; removable
- Contrasting Back Options (CBEB, CPLB) unavailable
- Crafted door styles will be supplied in plain sawn wood
- Quartersawn door styles are supplied plain sawn
- Painted hardwood supplied for EverCore®
- Painted or Stained hardwood supplied for Wood-Grain Foil door styles
- Vinyl edge banding applied to edges of cabinet
- Recommended installation is between two cabinets
- ☆ Min. (RD) is 12" for Thermofoil door styles; 6" for wood door styles
- ☆ Only available with (RTKP); unable to accommodate (RTKPB, RTKPL, RTKPR)
- **Note:** This cabinet features "frameless" type construction

● PE	● TWR
● APC	● WR
● APFC	● XS
● FPFB	● XSG
◆ MI	● XSB
● FBC	● IB
● DE	● GD
● AD_E	● PTKV
● CW	● RTK
● RD	☆ RTKP
● CH	● VTK
● IF	● TKD

### Base - Offset Diagonal Wine Storage Cabinet



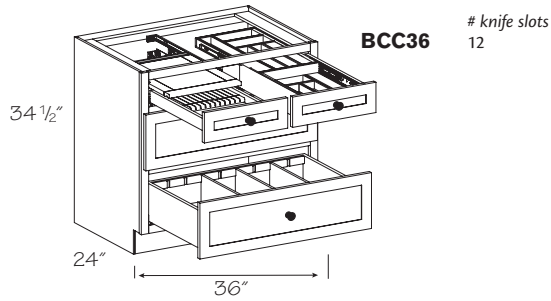
- Top Section-Ascending
- Bottom Section-Descending
- BODWC15 .AD**
- BODWC18 .AD**
- BODWC21 .AD**
- Top Section-Descending
- Bottom Section-Ascending
- BODWC15 .DA**
- BODWC18 .DA**
- BODWC21 .DA**

Grey color coding indicates new product, size or code.

- 11/16" (17.5 mm) thick shelves
- Shelves fixed into position and unable to be adjusted
- When (RD) is selected, wine storage section will always be 12" deep. The cabinet when ordered from 24" deep to 13" deep will always have a back panel in the wine storage section that is up against the wine storage dividers
- Ascending and descending orientation is from left to right

● PE	● TWR
◆ APC	● WR
● APFC	● XS
● FPFB	● XSG
◆ MI	● XSB
● FBC	● IB
● DE	● GD
● AD_E	● PTKV
● CW	● RTK
● RD	● RTKP
● CH	● VTK
● IF	● TKD

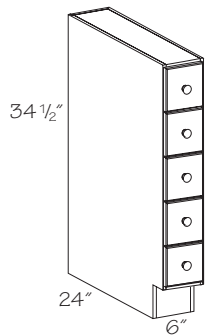
## Base Cooking Center



- Two 7" deep drawers with Adjustable Drawer Dividers
- Knife Section Cutting Center (KSCC18) in top left drawer
- Wood Tiered Drawer Storage (WTCD18) in top right drawer

● PE	TWR
● APC	● WR
● APFC	● XS
● FPEB	XSG
MI	● XSB
● FBC	IB
● DE	GD
● AD_E	PTKV
CW	● RTK
RD	● RTKP
CH	● VTK
IF	● TKD

## Base Spice Drawer Cabinet



### BSDC6

- Wood veneer construction with 1/2" end panels; **not** available in plywood
- Drawer boxes have 1/2" sides and 3/4" floor, front and back
- Interior drawer depth 22" from front to back
- Solid wood 3/4" thick slab drawer fronts with an eased edge. Outside profile will be the same regardless of the selected door style
- Drawer front is adjustable
- All drawer boxes are Natural Birch wood veneer plywood
- Drawer box slides along wood guide. Wood guide is used to keep drawers from moving left to right
- Matching wood knobs included; field install
- Vinyl edge banding applied to edges of cabinet
- Replacement knobs available-use the following order codes: 161 for Maple; 171 for Cherry; 181 for Oak and Hickory; 191 for Alder; 634 for Thermofoils
- Quartersawn door styles are supplied plain sawn
- Unavailable in High-Gloss Foil or Wood-Grain Foil door styles
- ☆ Only available with (RTKP); unable to accommodate (RTKPB, RTKPL, RTKPR)
- **Note:** This cabinet features "frameless" type construction
- Recommended installation is between two cabinets

PE	TWR
APC	WR
APFC	XS
FPEB	XSG
◇ MI	XSB
FBC	IB
DE	GD
AD_E	PTKV
CW	RTK
RD	☆ RTKP
CH	● VTK
IF	TKD

# Base Island

## Construction Options and Modifications

APC All Plywood Construction  
 APFC All Plywood Furniture Construction  
 MI Matching Interior

<b>IECDO</b>	<b>38</b>	<b>14</b>	<b>• CLS</b>
code	width	depth	leg style

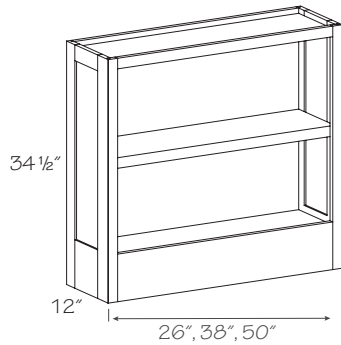
- ❖ Included as standard
- Available with an upcharge
- ☆ Available with exceptions
- (Blank) Unavailable

Island cabinets need to be attached to a wall stud or anchor to the floor to achieve sufficient stability; unintended to be free-standing.

Material dimensions listed may vary slightly from actual dimensions of the product. Specifications subject to change without notice.

### Island End - Bookcase

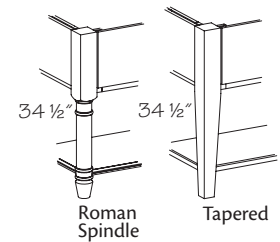
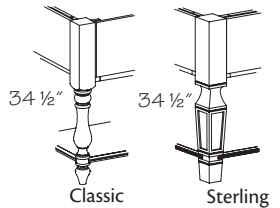
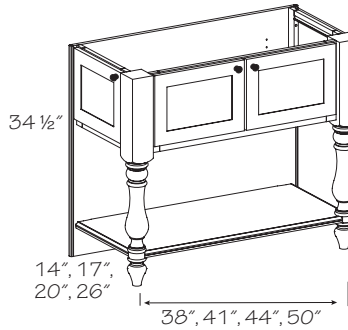
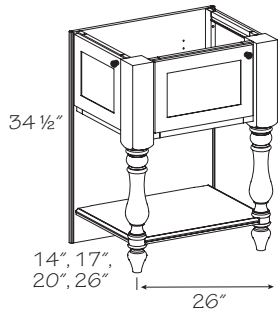
**IEB261234**  
**IEB381234**  
**IEB501234**



- Single fixed shelf
- Available in full overlay door styles and the following 1/2" overlay door styles: Fox Hill, Geneva, Thornton and Piermont. All other 1/2" overlay door styles are unavailable
- Unavailable in slab door styles
- Painted hardwood supplied for EverCore®
- Unavailable in Crafted, Rustic Alder, Hickory, High-Gloss Foil, Thermofoil, Wood-Grain Foil door styles.
- End panel will match selected door style on the order
- Plain sawn Oak supplied for Quartersawn Oak door styles
- Crafted Rustic and quartersawn door styles will **not** contain rustic or quartersawn characteristics
- Backs are finished to match

❖ APC ❖ MI  
 APFC

## Island End Cap with Doors



### Classic Leg

**IECDO2614 R or L.CLS**  
**IECDO3814 .CLS**  
**IECDO4114 .CLS**  
**IECDO4414 .CLS**  
**IECDO5014 .CLS**  
**IECDO2617 R or L.CLS**  
**IECDO3817 .CLS**  
**IECDO4117 .CLS**  
**IECDO4417 .CLS**  
**IECDO5017 .CLS**  
**IECDO2620 R or L.CLS**  
**IECDO3820 .CLS**  
**IECDO4120 .CLS**  
**IECDO4420 .CLS**  
**IECDO5020 .CLS**  
**IECDO2626 R or L.CLS**  
**IECDO3826 .CLS**  
**IECDO4126 .CLS**  
**IECDO4426 .CLS**  
**IECDO5026 .CLS**

### Roman Spindle

**IECDO2614 R or L.RSP**  
**IECDO3814 .RSP**  
**IECDO4114 .RSP**  
**IECDO4414 .RSP**  
**IECDO5014 .RSP**  
**IECDO2617 R or L.RSP**  
**IECDO3817 .RSP**  
**IECDO4117 .RSP**  
**IECDO4417 .RSP**  
**IECDO5017 .RSP**  
**IECDO2620 R or L.RSP**  
**IECDO3820 .RSP**  
**IECDO4120 .RSP**  
**IECDO4420 .RSP**  
**IECDO5020 .RSP**  
**IECDO2626 R or L.RSP**  
**IECDO3826 .RSP**  
**IECDO4126 .RSP**  
**IECDO4426 .RSP**  
**IECDO5026 .RSP**

### Sterling Leg

**IECDO2614 R or L.STL**  
**IECDO3814 .STL**  
**IECDO4114 .STL**  
**IECDO4414 .STL**  
**IECDO5014 .STL**  
**IECDO2617 R or L.STL**  
**IECDO3817 .STL**  
**IECDO4117 .STL**  
**IECDO4417 .STL**  
**IECDO5017 .STL**  
**IECDO2620 R or L.STL**  
**IECDO3820 .STL**  
**IECDO4120 .STL**  
**IECDO4420 .STL**  
**IECDO5020 .STL**  
**IECDO2626 R or L.STL**  
**IECDO3826 .STL**  
**IECDO4126 .STL**  
**IECDO4426 .STL**  
**IECDO5026 .STL**

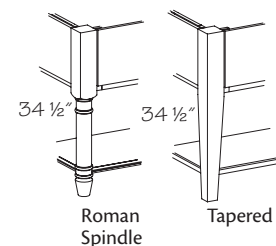
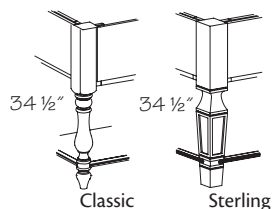
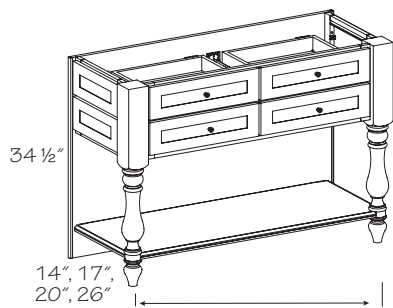
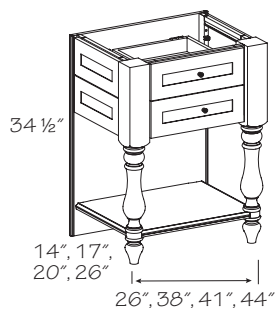
### Tapered Leg

**IECDO2614 R or L.TPL**  
**IECDO3814 .TPL**  
**IECDO4114 .TPL**  
**IECDO4414 .TPL**  
**IECDO5014 .TPL**  
**IECDO2617 R or L.TPL**  
**IECDO3817 .TPL**  
**IECDO4117 .TPL**  
**IECDO4417 .TPL**  
**IECDO5017 .TPL**  
**IECDO2620 R or L.TPL**  
**IECDO3820 .TPL**  
**IECDO4120 .TPL**  
**IECDO4420 .TPL**  
**IECDO5020 .TPL**  
**IECDO2626 R or L.TPL**  
**IECDO3826 .TPL**  
**IECDO4126 .TPL**  
**IECDO4426 .TPL**  
**IECDO5026 .TPL**

- Specify R or L for single door hinging
- Available in Rustic Alder, Cherry, EverCore®, Thermofoil, Maple, Wood-Grain Foil door styles only
- Thermofoils are painted hardwood
- Painted hardwood supplied for Wood-Grain Foil door styles; only available in white
- Side doors are fully operational
- Backs of Island End Caps are finished both sides
- Contrasting Back Options (CBEB, CPLB) unavailable
- Open area height from top of bottom shelf to cabinet frame is 16"
- **Note:** Cabinet back panel designed to sit 3/4" proud of doors or drawer fronts

APC    ❖    MI  
 ❖    APFC

### Island End Cap with Drawers



*Classic Leg*

- IECDW2614 .CLS
- IECDW3814 .CLS
- IECDW4114 .CLS
- IECDW4414 .CLS
- IECDW5014 .CLS
- IECDW2617 .CLS
- IECDW3817 .CLS
- IECDW4117 .CLS
- IECDW4417 .CLS
- IECDW5017 .CLS
- IECDW2620 .CLS
- IECDW3820 .CLS
- IECDW4120 .CLS
- IECDW4420 .CLS
- IECDW5020 .CLS
- IECDW2626 .CLS
- IECDW3826 .CLS
- IECDW4126 .CLS
- IECDW4426 .CLS
- IECDW5026 .CLS

*Roman Spindle*

- IECDW2614 .RSP
- IECDW3814 .RSP
- IECDW4114 .RSP
- IECDW4414 .RSP
- IECDW5014 .RSP
- IECDW2617 .RSP
- IECDW3817 .RSP
- IECDW4117 .RSP
- IECDW4417 .RSP
- IECDW5017 .RSP
- IECDW2620 .RSP
- IECDW3820 .RSP
- IECDW4120 .RSP
- IECDW4420 .RSP
- IECDW5020 .RSP
- IECDW2626 .RSP
- IECDW3826 .RSP
- IECDW4126 .RSP
- IECDW4426 .RSP
- IECDW5026 .RSP

*Sterling Leg*

- IECDW2614 .STL
- IECDW3814 .STL
- IECDW4114 .STL
- IECDW4414 .STL
- IECDW5014 .STL
- IECDW2617 .STL
- IECDW3817 .STL
- IECDW4117 .STL
- IECDW4417 .STL
- IECDW5017 .STL
- IECDW2620 .STL
- IECDW3820 .STL
- IECDW4120 .STL
- IECDW4420 .STL
- IECDW5020 .STL
- IECDW2626 .STL
- IECDW3826 .STL
- IECDW4126 .STL
- IECDW4426 .STL
- IECDW5026 .STL

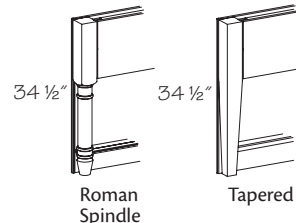
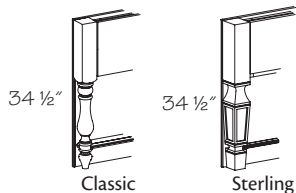
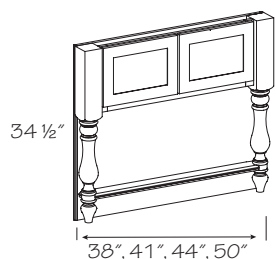
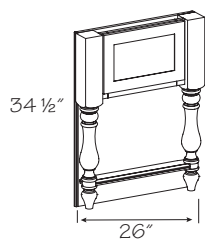
*Tapered Leg*

- IECDW2614 .TPL
- IECDW3814 .TPL
- IECDW4114 .TPL
- IECDW4414 .TPL
- IECDW5014 .TPL
- IECDW2617 .TPL
- IECDW3817 .TPL
- IECDW4117 .TPL
- IECDW4417 .TPL
- IECDW5017 .TPL
- IECDW2620 .TPL
- IECDW3820 .TPL
- IECDW4120 .TPL
- IECDW4420 .TPL
- IECDW5020 .TPL
- IECDW2626 .TPL
- IECDW3826 .TPL
- IECDW4126 .TPL
- IECDW4426 .TPL
- IECDW5026 .TPL

- Available in Rustic Alder, Cherry, EverCore®, Thermofoil, Maple and Wood-Grain Foil door styles only
- Thermofoils are painted hardwood
- Painted hardwood supplied for Wood-Grain Foil door styles; only available in white
- Contrasting Back Options (CBEB, CPLB) unavailable
- Backs of Island End Caps are finished both sides
- Open area height from top of bottom shelf to cabinet frame is 16"
- **Note:** Cabinet back panel designed to sit 3/4" proud of doors or drawer fronts

APC    MI  
 APFC

### Island End Cap Open with False Doors



*Classic Leg*

- IECFDO2604 .CLS
- IECFDO3804 .CLS
- IECFDO4104 .CLS
- IECFDO4404 .CLS
- IECFDO5004 .CLS
- IECFDO2604 .RSP
- IECFDO3804 .RSP
- IECFDO4104 .RSP
- IECFDO4404 .RSP
- IECFDO5004 .RSP

*Roman Spindle Post*

- IECFDO2604 .RSP
- IECFDO3804 .RSP
- IECFDO4104 .RSP
- IECFDO4404 .RSP
- IECFDO5004 .RSP

*Sterling Leg*

- IECFDO2604 .STL
- IECFDO3804 .STL
- IECFDO4104 .STL
- IECFDO4404 .STL
- IECFDO5004 .STL
- IECFDO2604 .TPL
- IECFDO3804 .TPL
- IECFDO4104 .TPL
- IECFDO4404 .TPL
- IECFDO5004 .TPL

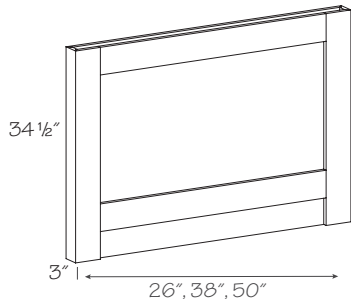
*Tapered Leg*

- IECFDO2604 .TPL
- IECFDO3804 .TPL
- IECFDO4104 .TPL
- IECFDO4404 .TPL
- IECFDO5004 .TPL

- Available in Rustic Alder, Cherry, EverCore®, Thermofoil, Maple and Wood-Grain Foil door styles only
- Thermofoils are painted hardwood
- Painted hardwood supplied for Wood-Grain Foil door styles; only available in white
- Backs of Island End Caps are finished both sides
- Contrasting Back Options (CBEB, CPLB) unavailable
- Open area height from top of bottom shelf to cabinet frame is 16"
- **Note:** Cabinet back panel designed to sit 3/4" proud of legs

APC    MI  
 APFC

**Island End - Gateway**

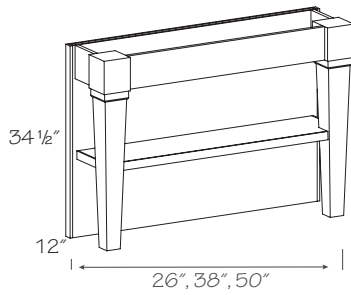


**IEG260334**  
**IEG380334**  
**IEG500334**

- Unavailable in Rustic Alder, Hickory and High-Gloss Foil door styles
- Crafted Rustic and quartersawn door styles will **not** contain rustic or quartersawn characteristics
- Thermofoils are painted hardwood
- Painted hardwood supplied for EverCore®
- Painted or Stained hardwood supplied for Wood-Grain Foil door styles
- Backs are finished to match

◆ APC MI  
 APFC

**Island End - Tapered leg**

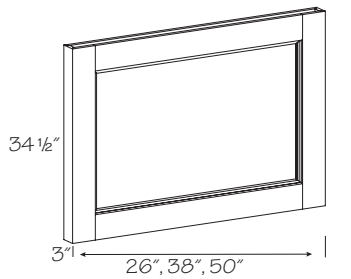


**IETL261234**  
**IETL381234**  
**IETL501234**

- Single fixed shelf
- Unavailable in Rustic Alder, Hickory and High-Gloss Foil door styles
- Crafted Rustic and quartersawn door styles will **not** contain rustic or quartersawn characteristics
- Thermofoils are painted hardwood
- Painted hardwood supplied for EverCore®
- Painted or Stained hardwood supplied for Wood-Grain Foil door styles
- Backs are finished both sides

◆ APC MI  
 APFC

**Island End - Transitional**



**IET260334**  
**IET380334**  
**IET500334**

- Unavailable in Rustic Alder, Hickory and High-Gloss Foil door styles
- Crafted Rustic and quartersawn door styles will **not** contain rustic or quartersawn characteristics
- Thermofoils are painted hardwood
- Painted hardwood supplied for EverCore®
- Painted or Stained hardwood supplied for Wood-Grain Foil door styles
- Backs are finished to match

◆ APC MI  
 APFC



# Base End Run Cabinets

<b>SBEOS</b>	<b>12</b>	<b>24</b>
code	width	depth

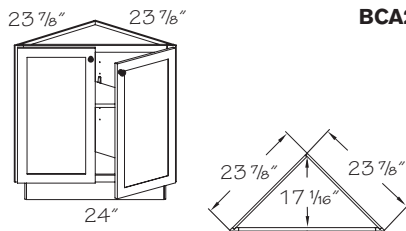
Material dimensions listed may vary slightly from actual dimensions of the product. Specifications subject to change without notice.

## Construction Options and Modifications

- ❖ Included as standard
- Available with an upcharge
- ☆ Available with exceptions
- (Blank) Unavailable

- PE Plywood Ends
- APC All Plywood Construction
- APFC All Plywood Furniture Construction
- FPEB Furniture Plywood Ends
- MI Matching Interior
- FBC Flush Back Construction
- DE Integrated Decorative End
- AD\_E Attached Decorative End
- CW Change Width
- RD Reduced Depth
- CH Change Height
- WR Wide Bottom Rail
- XSB Extended Side Back
- GD Glass Doors
- RTK Recessed Toe Kick
- RTKP Recessed Toe Kick Peninsula
- VTK Void Toe Kick

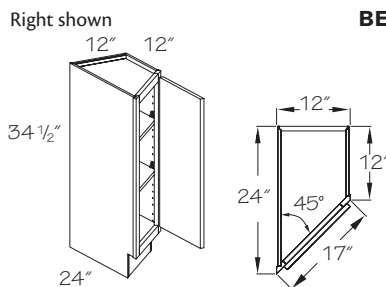
### Base Corner Angle BCA24 BUTT



- One adjustable shelf
- Can be installed on either right or left end
- Contrasting Back Options (CBEB, CPLB) unavailable

● PE	● RD
● APC	● CH
● APFC	● WR
● FPEB	● XSB
● MI	● GD
● FBC	● RTK
● DE	● RTKP
● AD_E	● VTK
● CW	

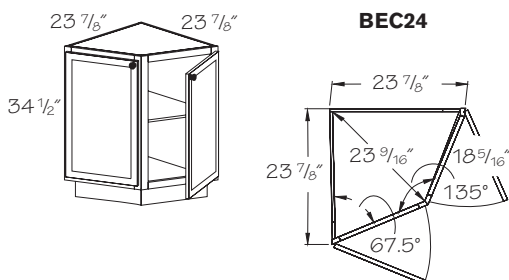
### Base End Angle BEA12 R or L



- Specify R or L for single door hinging
- Two adjustable shelves
- Full-height door
- One optional tray divider available in center location only
- ☆ (RTK) available hinge side only
- ☆ Min. (RD) is 18"
- ☆ Wide Rail Plain only (WR)
- ☆ (DE) available on 12" deep side only
- **Note:** Full overlay door styles use a 1/2" overlay hinge

● PE	☆ RD
● APC	● CH
● APFC	☆ WR
● FPEB	● XSB
● MI	● GD
● FBC	☆ RTK
☆ DE	● RTKP
● AD_E	● VTK
● CW	

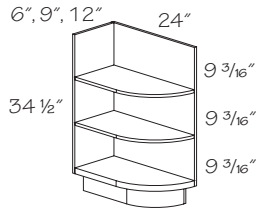
### Base End Corner BEC24



- One adjustable shelf
- Can be installed on either right or left end
- Contrasting Back Options (CBEB, CPLB) unavailable

● PE	● RD
● APC	● CH
● APFC	● WR
● FPEB	● XSB
● MI	● GD
● FBC	● RTK
● DE	● RTKP
● AD_E	● VTK
● CW	

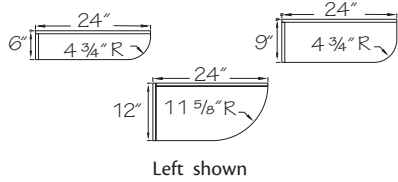
### Solid Wood Base End Open Shelf 24" Deep



**SBEOS624 R or L**  
**SBEOS924 R or L**  
**SBEOS1224 R or L**

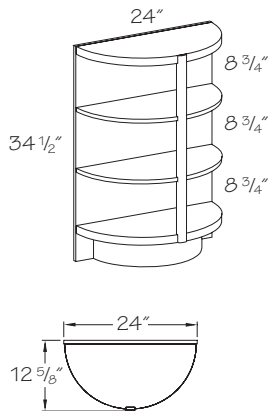
- Specify R or L
- Three fixed shelves
- 1 3/16" thick bottom shelf
- Solid wood construction on shelves only
- 5/8" wood veneer on sides and back
- Back Options (BEB and VGRB) unavailable
- Contrasting Back Options (CBEB, CPLB) unavailable
- Painted hardwood supplied for EverCore® and Thermofoil
- Plain sawn material supplied for Crafted door styles
- Quartersawn door styles are supplied plain sawn
- Unavailable in High-Gloss Foil or Wood-Grain Foil door styles
- ☆ Shelves remain solid when APC option is chosen; sides and back will be 11/16" matching wood veneer plywood
- ☆ (RD) available in 3" increments to a min. of 12"

PE	☆ RD
☆ APC	CH
APFC	WR
FPEB	XSB
◇ MI	GD
FBC	RTK
DE	RTKP
AD_E	● VTK
CW	



### Solid Wood Peninsula Base End Open Shelf 12" Deep

**SPBEOS1224**

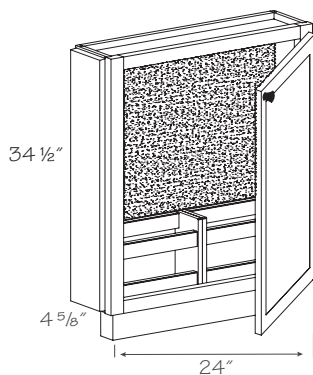


- 11 5/8" radius
- 5/8" wood veneer on back panel
- 1 3/16" thick top and bottom shelves; for Curved Moldings see Molding section
- Three fixed shelves
- Solid wood construction on shelves only
- Back may be notched in field for continuous toe kick applications
- Contrasting Back Options (CBEB, CPLB) unavailable
- Painted hardwood supplied for EverCore® and Thermofoil
- Plain sawn material supplied for Crafted door styles
- Quartersawn door styles are supplied plain sawn
- Unavailable in High-Gloss Foil or Wood-Grain Foil door styles
- ☆ Shelves remain solid when APC option is chosen; back will be 11/16" matching wood veneer plywood

PE	RD
☆ APC	CH
APFC	WR
FPEB	XSB
◇ MI	GD
FBC	RTK
DE	RTKP
AD_E	● VTK
CW	

### Base Message Center

**MCB24 R or L**



- Specify R or L for single door hinging
- For use at the end of a cabinet run
- Includes cork board and two magazine racks
- Filler Overlay supplied; ships separately; field install
- A 2 1/2" frame stile is used on the hinge side of the cabinet to provide clearance for hardware

PE	RD
APC	CH
◇ APFC	● WR
FPEB	XSB
MI	● GD
FBC	◇ RTK
DE	RTKP
AD_E	● VTK
CW	



Note: When a hinged door is attached to a 2 1/2" stile the door will be 1" narrower than a standard door. Keep this in mind when stacking cabinets

# Base Corner Cabinets

## Construction Options and Modifications

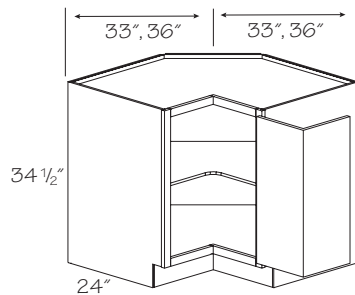
<b>PBBC</b>	<b>36</b>
code	width

- ❖ Included as standard
- Available with an upcharge
- ☆ Available with exceptions
- (Blank) Unavailable

Material dimensions listed may vary slightly from actual dimensions of the product. Specifications subject to change without notice.

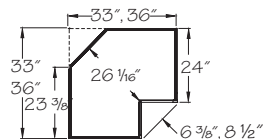
- PE Plywood Ends
- APC All Plywood Construction
- APFC All Plywood Furniture Construction
- FPEB Furniture Plywood Ends
- MI Matching Interior
- FBC Flush Back Construction
- DE Integrated Decorative End
- AD\_E Attached Decorative End
- CW Change Width
- RD Reduced Depth
- CH Change Height
- TWR Top Wide Rail
- WR Wide Bottom Rail
- XS Extended Stile
- XSB Extended Side Back
- GD Glass Doors
- PTKV Prepared for Toe Kick Vent
- RTK Recessed Toe Kick
- RTKP Recessed Toe Kick Peninsula
- VTK Void Toe Kick

### Easy Reach



◆◆ EZR33 R or L  
EZR36 R or L

- ☆ Glass door option unavailable
- ◆ Veranda doors will have a solid, recessed flat panel. Castlewood doors will have a veneer, recessed flat panel
- Wood-Grain Foil door styles will be supplied as vertical grain slabs



All dimensions are to outside of frame

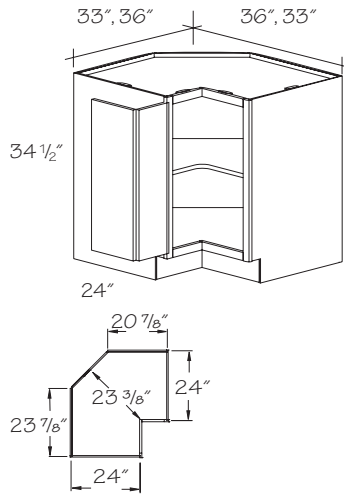
- Specify R or L for single door hinging
- One fixed shelf
- Frame opening, from left to right edge is 10 1/2" for EZR33 and 14 3/4" for EZR36
- Face frame is scooped for hinge installation on full overlay door styles
- Doors are profiled on one long and two short edges and are connected with hinges
- Angled back provides clearance for installation
- 29" door clearance recommended for delivery
- Back Options (BEB and VGRB) unavailable
- Contrasting Back Options (CBEB, CPLB) unavailable
- ☆ Unavailable with Aluminum Frame Glass doors
- **Note:** Unavailable with soft close feature

● PE	● CH
● APC	● TWR
● APFC	● WR
● FPEB	● XS
● MI	● XSB
FBC	☆ GD
DE	PTKV
● AD_E	● RTK
CW	RTKP
RD	● VTK



Please provide proper clearance and hinge on opposite side when placing an Easy Reach cabinet next to an appliance

### Asymmetrical Easy Reach



**EZR3633 R or L**  
**EZR3336 R or L**

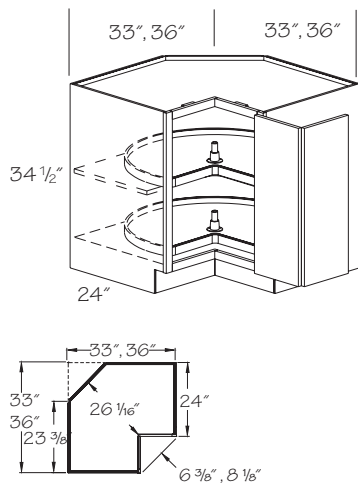
- Specify R or L for single door hinging
- One fixed shelf
- Frame opening from left to right edge is 12 7/8"
- Face frame is scooped for hinge installation on full overlay door styles
- Doors are profiled on one long and two short edges and are connected with hinges
- Angled back provides clearance for installation
- 29" door clearance recommended for delivery
- Veranda doors will have a solid, recessed flat panel. Castlewood doors will have a veneer, recessed flat panel
- Back Options (BEB and VGRB) unavailable
- Contrasting Back Options (CBEB, CPLB) unavailable
- Wood-Grain Foil, Mitered and Slab door styles will be supplied as vertical grain slabs; 5 piece design supplied for Wood-Grain foil doors with a recessed panel 5 piece design
- **Note:** Unavailable with soft close feature

● PE	● CH
● APC	● TWR
● APFC	● WR
● FPEB	● XS
● MI	● XSB
FBC	GD
DE	PTKV
● AD_E	● RTK
CW	RTKP
RD	● VTK



Please provide proper clearance and hinge on opposite side when placing an Easy Reach cabinet next to an appliance

### Easy Reach Wood Super Susan



28" diameter pie-cut shelves  
 ☆◆ **EZR33 R or LWSS**  
 32" diameter pie-cut shelves  
**EZR36 R or LWSS**

- ☆ Glass door option unavailable
- ◆ Veranda doors will have a solid, recessed flat panel. Castlewood doors will have a veneer, recessed flat panel
- Wood-Grain Foil door styles will be supplied as vertical grain slabs

- Specify R or L for single door hinging
- Two pie-cut shelves rotate individually
- Rotating shelves have wood floor and trim
- Frame opening, from left to right edge is 10 1/2" for EZR33 and 14 3/4" for EZR36
- Face frame is scooped for hinge installation on full overlay door styles
- Doors are profiled on one long and two short edges and are connected with hinges
- Angled back provides clearance for installation
- 29" door clearance recommended for delivery
- Back Options (BEB and VGRB) unavailable
- Contrasting Back Options (CBEB, CPLB) unavailable
- ☆ Unavailable with Aluminum Frame Glass doors
- **Note:** Unavailable with soft close feature

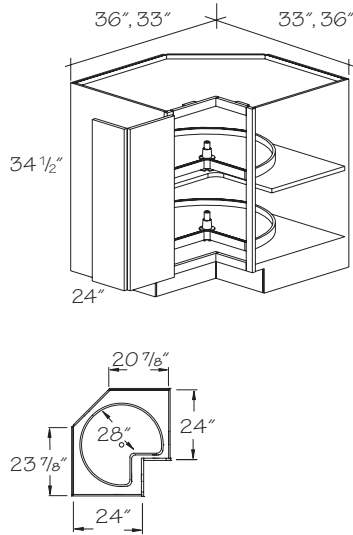
● PE	● CH
● APC	● TWR
● APFC	● WR
● FPEB	● XS
● MI	● XSB
FBC	☆ GD
DE	PTKV
● AD_E	● RTK
CW	RTKP
RD	● VTK



Please provide proper clearance and hinge on opposite side when placing an Easy Reach cabinet next to an appliance

All dimensions are to outside of frame

## Asymmetrical Easy Reach Wood Super Susan



**EZR3633 R or LWSS**  
**EZR3336 R or LWSS**

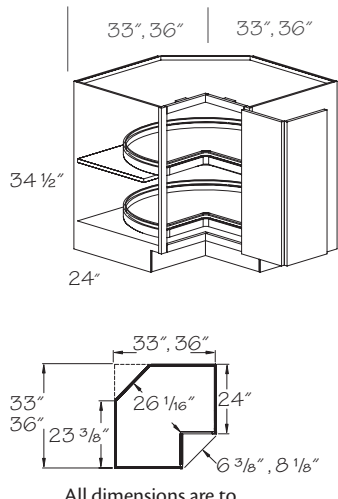
- Specify R or L for single door hinging
- Two pie-cut 28" diameter rotating shelves
- Rotating shelves have wood floor and trim
- Frame opening from left to right edge is 12 7/8"
- Face frame is scooped for hinge installation on full overlay door styles
- Doors are profiled on one long and two short edges and are connected with hinges
- Angled back provides clearance for installation
- 29" door clearance recommended for delivery
- Veranda doors will have a solid, recessed flat panel. Castlewood doors will have a veneer, recessed flat panel
- Back Options (BEB and VGRB) unavailable
- Contrasting Back Options (CBEB, CPLB) unavailable
- Wood-Grain Foil, Mitered and Slab door styles will be supplied as vertical grain slabs; 5 piece design supplied for Wood-Grain foil doors with a recessed panel 5 piece design
- **Note:** Unavailable with soft close feature

● PE	● CH
● APC	● TWR
● APFC	● WR
● FPFB	● XS
● MI	● XSB
FBC	GD
DE	PTKV
● AD_E	● RTK
CW	RTKP
RD	● VTK



Please provide proper clearance and hinge on opposite side when placing an Easy Reach cabinet next to an appliance

## Easy Reach w/Chrome Super Susan



28" diameter pie-cut shelves  
★◆ **EZR33 R or LCSS**  
32" diameter pie-cut shelves  
**EZR36 R or LCSS**

- ☆ Glass door option unavailable
- ◆ Veranda doors will have a solid, recessed flat panel. Castlewood doors will have a veneer, recessed flat panel
- Wood-Grain Foil door styles will be supplied as vertical grain slabs

- Specify R or L for single door hinging
- Two pie-cut shelves rotate individually
- Rotating shelf has chrome rail
- Frame opening from left to right edge:  
10 1/2" for EZR33  
14 3/4" for EZR36
- Face frame is scooped for hinge installation on full overlay door styles
- Doors are profiled on one long and two short edges and are connected with hinges
- Angled back provides clearance for installation
- 29" door clearance recommended for delivery
- Back Options (BEB and VGRB) unavailable
- **Note:** Unavailable with soft close feature
- Contrasting Back Options (CBEB, CPLB) unavailable
- ☆ Unavailable with Aluminum Frame Glass doors

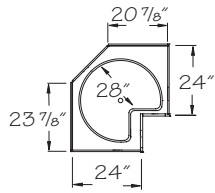
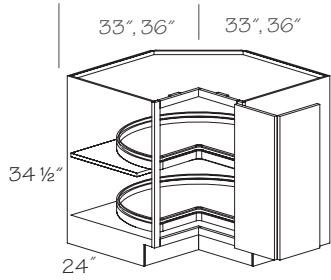
● PE	● CH
● APC	● TWR
● APFC	● WR
● FPFB	● XS
● MI	● XSB
FBC	☆ GD
DE	PTKV
● AD_E	● RTK
CW	RTKP
RD	● VTK



Please provide proper clearance and hinge on opposite side when placing an Easy Reach cabinet next to an appliance

### Asymmetrical Easy Reach w/Chrome Super Susan

**EZR3336 R or L.C.S.S**  
**EZR3633 R or L.C.S.S**



- Specify R or L for single door hinging
- Two 28" diameter pie-cut shelves rotate individually
- Rotating shelf has chrome rail
- Frame opening, from left to right edge is 12 7/8"
- Face frame is scooped for hinge installation on full overlay door styles
- Doors are profiled on one long and two short edges and are connected with hinges
- Angled back provides clearance for installation
- 29" door clearance recommended for delivery
- Back Options (BEB and VGRB) unavailable
- Contrasting Back Options (CBEB, CPLB) unavailable
- Veranda doors will have a solid, recessed flat panel. Castlewood doors will have a veneer, recessed flat panel
- Wood-Grain Foil, Mitered and Slab door styles will be supplied as vertical grain slabs; 5 piece design supplied for Wood-Grain foil doors with a recessed panel 5 piece design
- **Note:** Unavailable with soft close feature

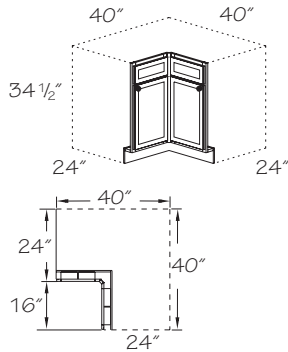
● PE	● CH
● APC	● TWR
● APFC	● WR
● FPFB	● XS
● MI	● XSB
FBC	GD
DE	PTKV
● AD_E	● RTK
CW	RTKP
RD	● VTK



Please provide proper clearance and hinge on opposite side when placing an Easy Reach cabinet next to an appliance

### Sink Front Corner 90°

**SFC40**

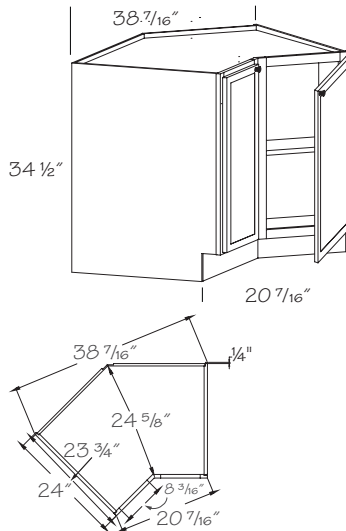


- Optional Utensil Tray Kit is available
- Includes a Touch-Up Kit
- Use (FHK) option to achieve a full-height door look
- **Note:** Includes two 16" Cabinet Front Only; 1 1/4" solid spacer and 48" x 48" x 1/2" floor; shipped separately

PE	CH
● APC	● TWR
● APFC	● WR
FPFB	● XS
MI	XSB
FBC	● GD
DE	PTKV
AD_E	RTK
CW	RTKP
RD	● VTK

### 135° Base Inside Angle Corner Cabinet

**BIAC21**

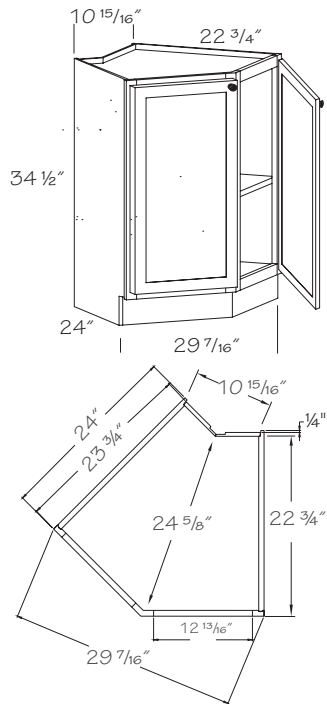


- Backs of cabinets are slightly recessed to allow for wall imperfections, shimming is required
- One adjustable shelf

● PE	● CH
● APC	● TWR
● APFC	● WR
● FPFB	● XS
● MI	● XSB
FBC	GD
DE	PTKV
AD_E	● RTK
CW	RTKP
RD	● VTK

### 135° Base Outside Angle Corner Cabinet

#### BOAC6

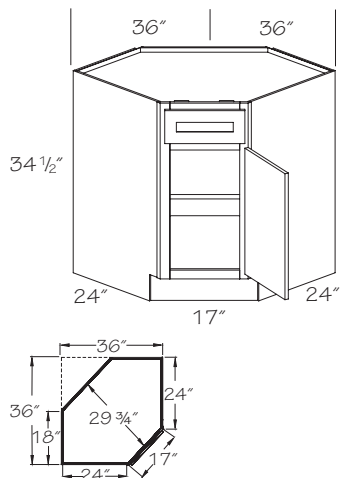


- Backs of cabinets are slightly recessed to allow for wall imperfections, shimming is required
- One adjustable shelf

● PE	● CH
● APC	● TWR
● APFC	● WR
● FPFB	● XS
● MI	● XSB
FBC	● GD
DE	PTKV
AD_E	● RTK
CW	RTKP
RD	● VTK

### Base Angle

#### BA36 R or L



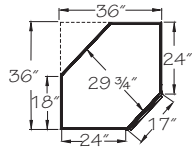
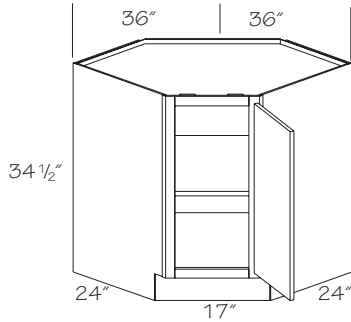
All dimensions are to outside of frame

- Specify R or L for single door hinging
- One fixed shelf
- False drawer front
- Angled back provides clearance for installation
- 30 1/2" door clearance recommended for delivery
- Back Options (BEB and VGRB) unavailable
- Contrasting Back Options (CBEB, CPLB) unavailable
- **Note:** Full overlay door styles use a 1/2" overlay hinge

● PE	● CH
● APC	● TWR
● APFC	● WR
● FPFB	● XS
● MI	● XSB
FBC	● GD
DE	PTKV
● AD_E	● RTK
CW	RTKP
RD	● VTK

### Base Angle Full-Height Door

**BA36 R or L.FH**



All dimensions are to outside of frame

- Specify R or L for single door hinging
- One fixed shelf
- Angled back provides clearance for installation
- 30 1/2" door clearance recommended for delivery
- Back Options (BEB and VGRB) unavailable
- Contrasting Back Options (CBEB, CPLB) unavailable
- **Note:** Full overlay door styles use a 1/2" overlay hinge

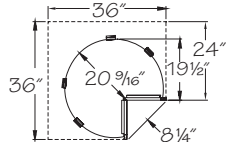
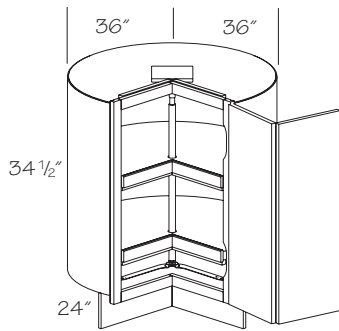
● PE	● CH
● APC	● TWR
● APFC	● WR
● FPEB	XS
● MI	XSB
FBC	● GD
DE	PTKV
● AD_E	● RTK
CW	RTKP
RD	● VTK



Full overlay doors on cabinets with an angled front are intentionally narrower to allow proper clearance of adjacent cabinets

### Wood Lazy Susan

**LS36 R or L.WLS**



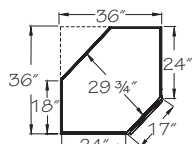
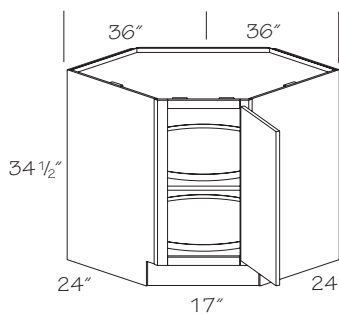
All dimensions are to outside of frame

- Specify R or L for single door hinging
- Rotating shelves have wood floor and trim
- Requires 36" of wall space
- Face frame is scooped for hinge installation on full overlay door styles
- Doors are profiled on one long and two short edges and are connected with hinges
- Contrasting Back Options (CBEB, CPLB) unavailable
- ☆ Back (barrel) will **not** be plywood when APC is chosen

PE	CH
☆ APC	TWR
APFC	● WR
FPEB	● XS
MI	XSB
FBC	● GD
DE	PTKV
AD_E	RTK
CW	RTKP
RD	VTK

### Wood Lazy Susan Angle

**LSA36 R or L.WLS**



All dimensions are to outside of frame

- Specify R or L for single door hinging
- Two 28" diameter rotating shelves
- Rotating shelves have wood floor and trim
- Angled back provides clearance for installation
- 30 1/2" door clearance recommended for delivery
- Back Options (BEB and VGRB) unavailable
- Contrasting Back Options (CBEB, CPLB) unavailable
- **Note:** Full overlay door styles use a 1/2" overlay hinge

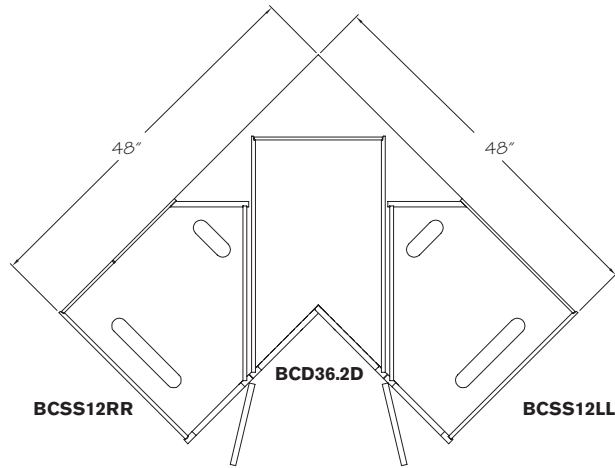
● PE	● CH
● APC	TWR
● APFC	● WR
● FPEB	XS
● MI	XSB
FBC	● GD
DE	PTKV
● AD_E	● RTK
CW	RTKP
RD	● VTK



If corner cabinet adjacent to an object is deeper than the end panel, the door of the corner cabinet may not function properly



## Base Corner Drawer Cabinet and Base Corner Smart Space Companion View

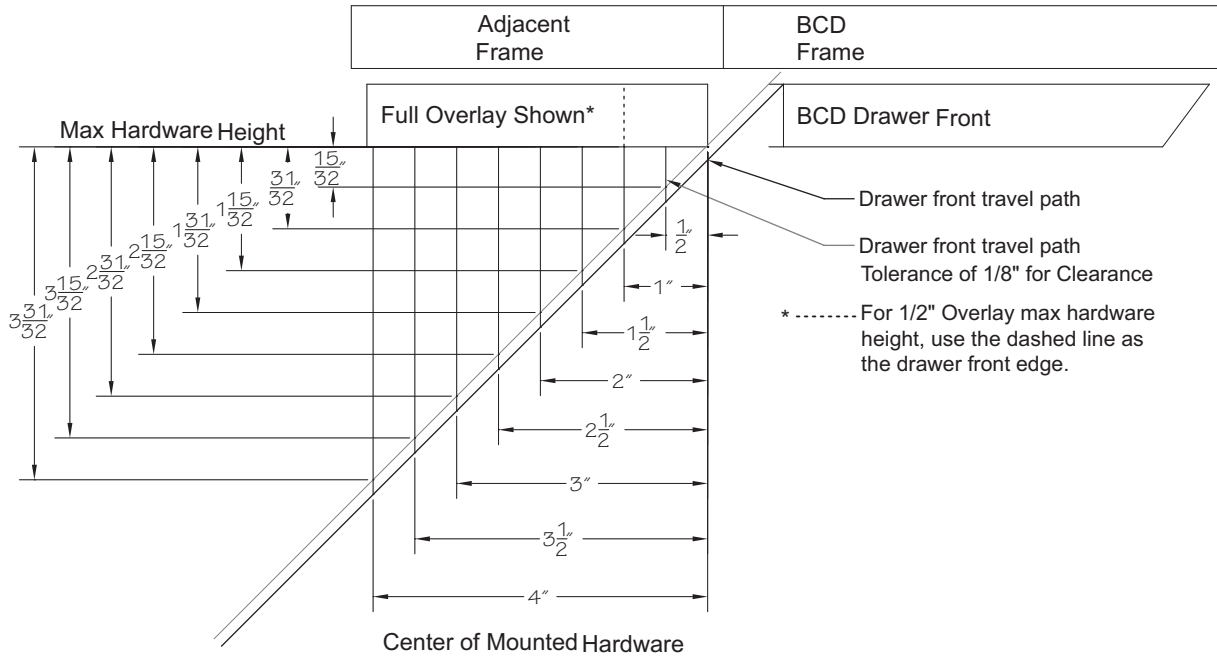


- Additional fillers are **not** needed when this orientation is used
- Additional fillers are required when the adjacent BCSS cabinet doors are hinged opposite the BCD cabinet. Refer to the travel path chart for details

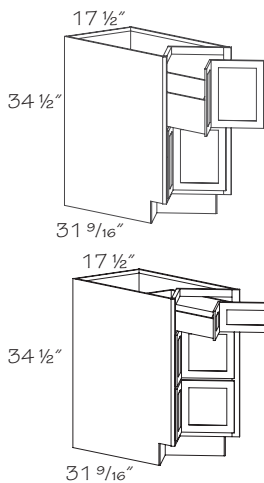


Base Corner Smart Space cabinets can also be used as an alternate corner solution when used with a Base Filler 3x3 in place of a Base Corner Drawer cabinet

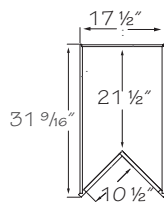
PE	CH
APC	TWR
APFC	WR
FPEB	XS
MI	XSB
FBC	GD
DE	PTKV
AD_E	RTK
CW	RTKP
RD	VTK



## Base Corner Drawer Cabinet



Two Drawer  
**BCD36 .2D**  
Three Drawer  
**BCD36 .3D**



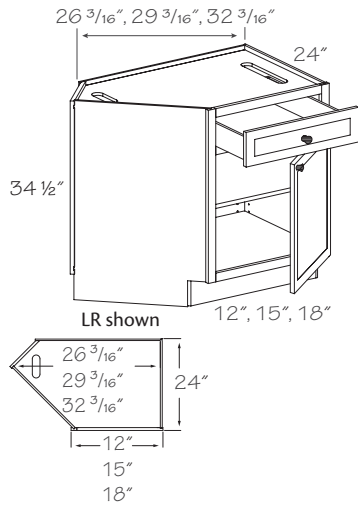
- 90 degree frame
- Drawer is the same as a B12
- Unavailable with any drawer box accessories
- Requires 36" of wall space



Please use a filler next to the Base Corner Drawer Cabinet if an adjacent unit is deeper than 24". The filler width must equal the distance a unit will extend beyond the Base Corner Drawer Cabinet to ensure proper drawer clearance. For example: A 2" filler is needed if a 26" deep range is placed next to it

● PE	CH
● APC	TWR
● APFC	● WR
● FPEB	● XS
● MI	● XSB
● FBC	● GD
● DE	● PTKV
● AD_E	● RTK
● CW	● RTKP
● RD	● VTK

### Base Corner Smart Space Cabinet



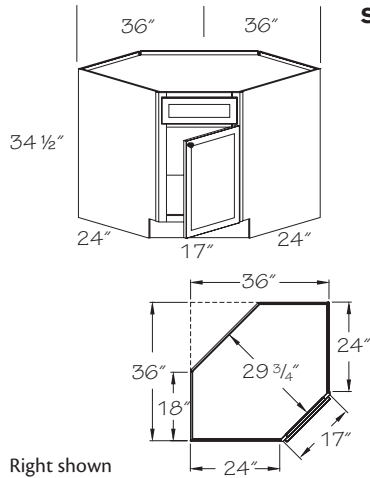
- Specify RR or RL Right
- BCSS12 RR or RL**
  - BCSS15 RR or RL**
  - BCSS18 RR or RL**
- Specify LR or LL Left
- BCSS12 LR or LL**
  - BCSS15 LR or LL**
  - BCSS18 LR or LL**
- (XS) available on the left side only
  - (XS) available on the right side only

- Roll-out Trays are unavailable
- Right cabinets: Place on the left side of a Base Corner Drawer cabinet
- Left cabinets: Place on the right side of a Base Corner Drawer cabinet
- ☆ Furniture Ends will be supplied on the non-angled end panels only

● PE	● CH
● APC	● TWR
☆ APFC	● WR
☆ FPEB	☆ XS
● MI	● XSB
FBC	● GD
● DE	PTKV
● AD_E	● RTK
CW	RTKP
RD	● VTK

### Sink Base Angle

#### SBA36 R or L



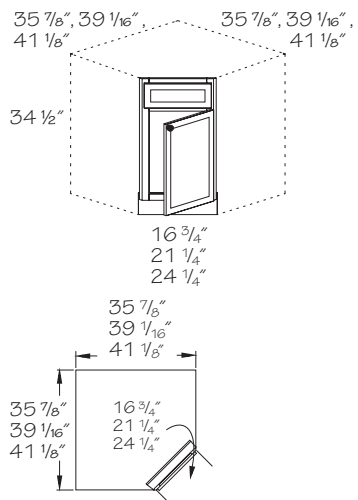
- Specify R or L for single door hinging
- No shelf
- False drawer front
- Optional Utensil Trays (UT and SUT) are available
- Includes a Touch-Up Kit
- Back Options (BEB and VGRB) unavailable
- Contrasting Back Options (CBEB, CPLB) unavailable
- Use (FHK) option to achieve a full-height door look
- **Note:** Full overlay door styles use a 1/2" overlay hinge
- **Note:** Unable to accommodate double bowl sink

● PE	● CH
● APC	● TWR
● APFC	● WR
● FPEB	● XS
● MI	● XSB
FBC	● GD
DE	PTKV
● AD_E	● RTK
CW	RTKP
RD	● VTK



When using a corner sink in your design, it is recommended to install at least a 15" cabinet between the corner sink and dishwasher. This will allow a comfortable space to load and unload the unit.

### Sink Front Angle

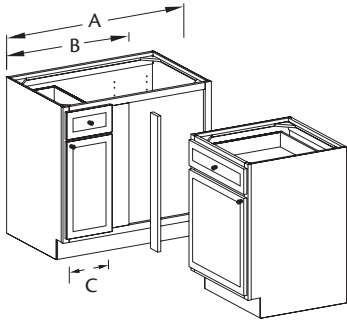


- SFA36 R or L**
  - SFA39 R or L**
  - SFA42 R or L**
  - SFA42 BUTT**
- (CW) option unavailable
  - ▲ Available in full overlay door styles only
  - \* Unavailable in full overlay door styles

- Specify R or L for single door hinging
- Includes 48" x 48" x 1/2" floor; floor shipped separately
- Optional Utensil Trays (UT and SUT) are available
- Toe kick shipped unattached
- Includes a Touch-Up Kit
- Use (FHK) option to achieve a full-height door look
- **Note:** Full overlay door styles use a 1/2" overlay hinge

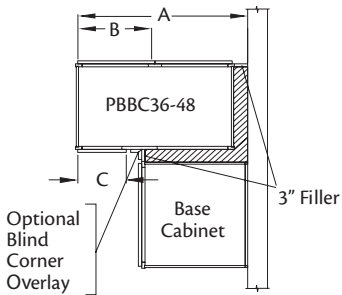
PE	● CH
● APC	● TWR
APFC	● WR
FPEB	● XS
MI	● XSB
FBC	● GD
DE	PTKV
AD_E	RTK
☆ CW	RTKP
RD	● VTK

## Base Blind Corner Cabinet Information

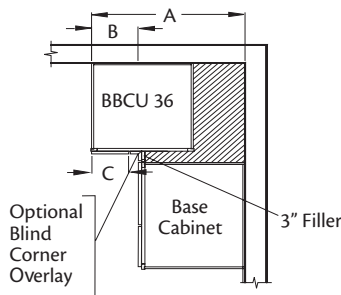


Blind Right Shown

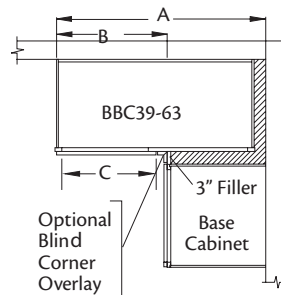
- Specify R or L; R or L indicates blind
- All Base Blind Corner cabinets need to be pulled. Consult chart or pull dimensions and min. wall space requirements
- Door hinged on same side as blind on single door cabinets
- A 3" Base Filler is included with each Base Blind Corner cabinet; shipped separately. Base cabinet adjacent to BBC may be ordered with an extended stile in lieu of installing supplied filler
- Cabinets are shipped blind right standard; may be reversed in field
- Two 3" Base Fillers are included with each Peninsula Base Blind Corner ordered except the PBBC27
- Optional Panel for Base Blind Corner Overlay is recommended for full overlay door styles



Peninsula Base Blind Corner Cabinet



Base Blind Cabinet Universal

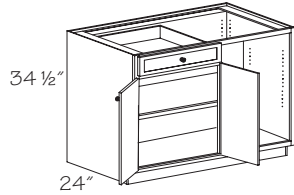
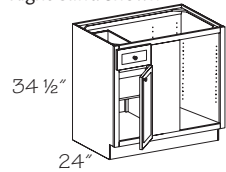


Base Blind Cabinet

Cabinet	1/2" Overlay				Door Open "C"	Cab Width	Full Overlay				Door Open "C"	Cab Width
	Wall Space "A"		Exposed Front "B"				Wall Space "A"		Exposed Front "B"			
	Min. ★	Max. ★	Min. ★	Max. ★			Min. ★	Max. ★	Min. ★	Max. ★		
<b>BBCU36</b>	36"	40"	12"	16"	6"	24"	36"	40"	12"	16"	6"	24"
<b>PBBC36</b>	34 1/2"	37 3/4"	10 1/2"	13 3/4"	6"	33"	35 1/4"	38 3/4"	11 1/4"	14 3/4"	6"	33"
<b>BBC39</b>	37 1/2"	40 3/4"	13 1/2"	16 3/4"	9"	36"	38 1/4"	41 3/4"	14 1/4"	17 3/4"	9"	36"
<b>P/BBC42</b>	40 1/2"	43 3/4"	16 1/2"	19 3/4"	12"	39"	41 1/4"	44 3/4"	17 1/4"	20 3/4"	12"	39"
<b>BBC45</b>	43 1/2"	46 3/4"	19 1/2"	22 3/4"	15"	42"	44 1/4"	47 3/4"	20 1/4"	23 3/4"	15"	42"
<b>P/BBC48</b>	46 1/2"	49 3/4"	22 1/2"	25 3/4"	18"	45"	47 1/4"	50 3/4"	23 1/4"	26 3/4"	18"	45"
<b>BBC51</b>	49 1/2"	52 3/4"	25 1/2"	28 3/4"	21"	48"	50 1/4"	53 3/4"	26 1/4"	29 3/4"	21"	48"
<b>BBC54*</b>	52 1/2"	55 3/4"	28 1/2"	31 3/4"	24"	51"	53 1/4"	56 3/4"	29 1/4"	32 3/4"	24"	51"
<b>BBC57*</b>	55 1/2"	58 3/4"	31 1/2"	34 3/4"	27"	54"	56 1/4"	59 3/4"	32 1/4"	35 3/4"	27"	54"
<b>BBC60*</b>	58 1/2"	61 3/4"	34 1/2"	37 3/4"	30"	57"	59 1/4"	62 3/4"	35 1/4"	38 3/4"	30"	57"
<b>BBC63*</b>	61 1/2"	64 3/4"	37 1/2"	40 3/4"	33"	60"	62 1/4"	65 3/4"	38 1/4"	41 3/4"	33"	60"

★Dimensions "A" and "B" minimum requirements include optional decorative hardware clearance. You may deduct 1 1/4" if hardware is not used.  
 \*Cabinets will have BUTT doors

Right Blind Shown



**Base Blind Corner**

- \* **BBC39 R or L**
- \* **BBC42 R or L**
- \* **BBC45 R or L**
- \* **BBC48 R or L**
- \* **BBC51 R or L**
- ◆ **BBC54 R or L**
- ◆ **BBC57 R or L**
- ◆ **BBC60 R or L**
- ◆ **BBC63 R or L**

- \* (PTKV) option is unavailable
- ◆ (FBC) option is unavailable

- Specify R or L; R or L indicates blind
- Door is hinged from blind panel
- Blind panel (stile) is 8" wide
- Blind opening is covered with an unfinished panel
- Filler included
- Order Overlay Panel for Base Blind Corner separately
- One adjustable shelf
- Factory installed Roll-out Trays are unavailable

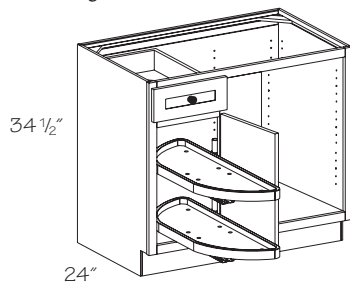
● PE	● CH
● APC	● TWR
● APFC	● WR
● FPEB	● XS
● MI	● XSB
☆ FBC	● GD
● DE	☆ PTKV
● AD_E	● RTK
● CW	● RTKP
● RD	● VTK



Consider using the (FHK) option on to increase storage height of the top shelf

**Base Blind Corner w/Wood Lazy Susan**

Right Blind Shown



- BBC42 R or L.WLS**
- BBC45 R or L.WLS**
- BBC48 R or L.WLS**

- Specify R or L; R or L indicates blind
- Blind panel (stile) is 8" wide
- Blind opening is covered with an unfinished panel
- Door is hinged from blind panel
- Filler included
- Order Overlay Panel for Base Blind Corner separately
- Two half-circle shelves, rotate and slide out individually
- Rotating shelves have wood floor and trim
- All Wood Lazy Susan also available as field installed kit; see Base Accessories section

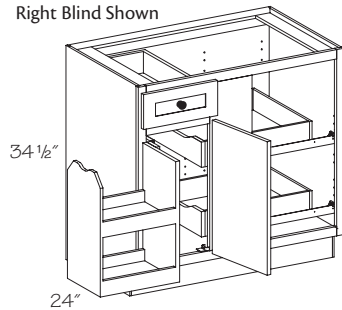
● PE	● CH
● APC	● TWR
● APFC	● WR
● FPEB	● XS
● MI	● XSB
● FBC	● GD
● DE	● PTKV
● AD_E	● RTK
● CW	● RTKP
● RD	● VTK



Consider using the (FHK) option on to increase storage height of the top shelf

**Base Blind Corner w/Wood Swing-out**

Right Blind Shown



- BBC42 R or L.PSO**
- BBC45 R or L.PSO**
- BBC48 R or L.PSO**

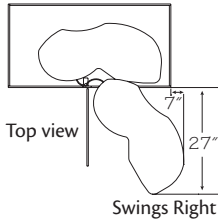
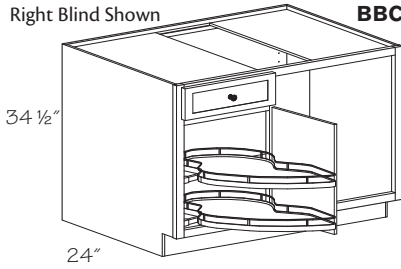
- Specify R or L; R or L indicates blind
- Door is hinged from blind panel
- One standard drawer
- Blind panel (stile) is 8" wide
- Blind opening is covered with an unfinished panel
- Filler included
- Order Overlay Panel for Base Blind Corner separately
- Two Deluxe Roll-out Trays
- Solid wood swing-out caddy
- **Note:** Swing-out unable to fully open if a wall, another cabinet, appliance or any other obstruction deeper than 24" is next to swing-out side end panel

● PE	● CH
● APC	● TWR
● APFC	● WR
● FPEB	● XS
● MI	● XSB
● FBC	● GD
● DE	● PTKV
● AD_E	● RTK
● CW	● RTKP
● RD	● VTK



Consider using the (FHK) option on to increase storage height of the top shelf

**Base Blind Corner w/Chrome Swing-out  
BBC48 R or L.CSW**



- Specify R or L; R or L indicates blind
- Blind panel (stile) is 8" wide
- Blind opening is covered with an unfinished panel
- Door is hinged from blind panel
- Filler included
- Order Overlay Panel for Base Blind Corner separately
- One standard drawer
- Two full swing shelves rotate individually
- Shelf height is adjustable
- Shelf is non-stick coated Maple melamine with chrome gallery rails
- **Note:** Swing-out unable to fully open if a wall, another cabinet, appliance or any other obstruction deeper than 24" is next to swing-out side end panel

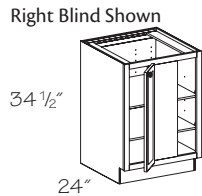
● PE	CH
● APC	TWR
● APFC	● WR
● FPFB	● XS
● MI	● XSB
● FBC	● GD
DE	● PTKV
● AD_E	● RTK
CW	● RTKP
RD	● VTK



shelf

Consider using the (FHK) option on to increase storage height of the top shelf

**Base Blind Corner Universal  
BBCU36**



- Blind panel (stile) is 9" wide
- False drawer front
- Full-height door
- Door is hinged from blind panel
- Two adjustable, full-depth shelves
- Filler included
- Cabinets are shipped blind right standard; may be reversed in field
- Order Overlay Panel for Base Blind Corner separately
- Factory installed Roll-out Trays are unavailable
- Veranda doors will have a solid, recessed flat panel

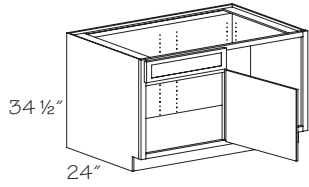
● PE	CH
● APC	TWR
● APFC	● WR
● FPFB	● XS
● MI	● XSB
FBC	GD
DE	PTKV
● AD_E	● RTK
CW	● RTKP
● RD	● VTK



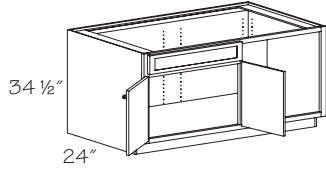
shelf

Consider using the (FHK) option on to increase storage height of the top shelf

### Sink Base Blind Corner



**SBBC51 R or L**  
**SBBC54 R or L**  
**SBBC57 R or L**  
**SBBC60 R or L**  
**SBBC63 R or L**



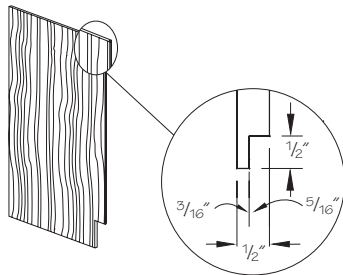
- Specify R or L; R or L indicates blind
- Blind panel (stile) is 8" wide
- Blind opening is covered with an unfinished panel
- Right blind shown
- Door is hinged from blind panel
- Filler included
- Order Overlay Panel for Base Blind Corner separately
- False drawer front
- Factory installed Roll-out Trays are unavailable

● PE	● CH
● APC	● TWR
● APFC	● WR
● FPEB	● XS
● MI	● XSB
● FBC	● GD
● DE	● PTKV
● AD_E	● RTK
● CW	● RTKP
● RD	● VTK

Cabinet	Sink Width (if centered with doors)	1/2" Overlay						Full Overlay					
		Wall Space "A"		Exposed Front "B"		Door Open "C"	Cab Width	Wall Space "A"		Exposed Front "B"		Door Open "C"	Cab Width
		Min. ★	Max. ★	Min. ★	Max. ★			Min. ★	Max. ★	Min. ★	Max. ★		
SBBC51	16 7/8"	49 1/2"	52 3/4"	25 1/2"	28 3/4"	21"	48"	50 1/4"	53 3/4"	26 1/4"	29 3/4"	21"	48"
SBBC54*	19 7/8"	52 1/2"	55 3/4"	28 1/2"	31 3/4"	24"	51"	53 1/4"	56 3/4"	29 1/4"	32 3/4"	24"	51"
SBBC57*	22 7/8"	55 1/2"	58 3/4"	31 1/2"	34 3/4"	27"	54"	56 1/4"	59 3/4"	32 1/4"	35 3/4"	27"	54"
SBBC60*	25 7/8"	58 1/2"	61 3/4"	34 1/2"	37 3/4"	30"	57"	59 1/4"	62 3/4"	35 1/4"	38 3/4"	30"	57"
SBBC63*	28 7/8"	61 1/2"	64 3/4"	37 1/2"	40 3/4"	33"	60"	62 1/4"	65 3/4"	38 1/4"	41 3/4"	33"	60"

★Dimensions "A" and "B" minimum requirements include optional decorative hardware clearance. You may deduct 1 1/4" if hardware is not used.  
 \*Cabinets will have BUTT doors

### Lazy Susan End Panel LSEP .R or L



- Specify R or L
- Notched to fit behind stile of Lazy Susan front frame
- Requires 3/16" of wall space
- Crafted door styles will be supplied in plain sawn wood
- Quartersawn door styles are supplied plain sawn
- Painted hardwood supplied for EverCore®
- Exterior finished to match, interior is Natural Birch vinyl

● PE	● CH
● APC	● TWR
● APFC	● WR
● FPEB	● XS
● MI	● XSB
● FBC	● GD
● DE	● PTKV
● AD_E	● RTK
● CW	● RTKP
● RD	● VTK

# Peninsula Base Corner Cabinets

## Construction Options and Modifications

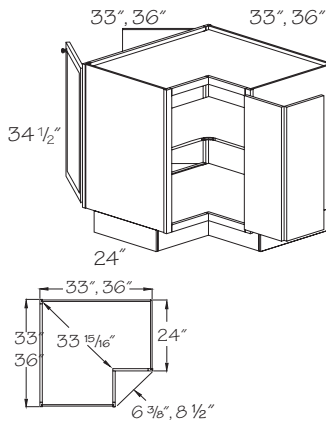
PEZR	36	R	L
code	width	kitchen side hinging	rear frame position

- ❖ Included as standard
- Available with an upcharge
- ☆ Available with exceptions
- (Blank) Unavailable

Material dimensions listed may vary slightly from actual dimensions of the product. Specifications subject to change without notice.

- PE Plywood Ends
- APC All Plywood Construction
- APFC All Plywood Furniture Construction
- FPEB Furniture Plywood Ends
- MI Matching Interior
- AD\_E Attached Decorative End
- CW Change Width
- RD Reduced Depth
- CH Change Height
- IF Inverted Frame
- TWR Top Wide Rail
- WR Wide Bottom Rail
- XS Extended Stile
- GD Glass Doors
- RTK Recessed Toe Kick
- RTKP Recessed Toe Kick Peninsula
- VTK Void Toe Kick

### Peninsula Easy Reach



All dimensions are to outside of frame

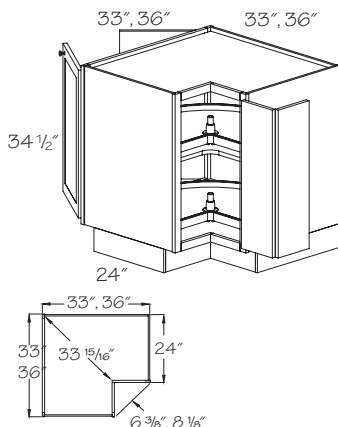
- ★◆ PEZR33 RR or L
- ★◆ PEZR33 LR or L
- ※ PEZR36 RR or L
- ※ PEZR36 LR or L

- ★ Glass doors unavailable on kitchen side
- ◆ Veranda doors will have a solid, recessed flat panel on kitchen side. Castlewood doors will have a veneer, recessed flat panel on kitchen side
- Wood-Grain Foil door styles will be supplied as vertical grain slabs
- ※ Unavailable with Aluminum Frame glass doors on kitchen side

- Specify R or L
- The first R or L designates kitchen side door hinging
- The second R or L designates peninsula frame position
- One fixed shelf
- Frame opening, from left to right edge is 10 1/2" for EZR33 and 14 3/4" for EZR36
- Doors are profiled on one long and two short edges and are connected with hinges
- Butt doors on peninsula side
- Toe kick is detachable
- 31" door clearance recommended for delivery
- **Note:** Peninsula side doors feature soft close hinging; soft close is unavailable on Kitchen side

● PE	IF
● APC	TWR
● APFC	WR
● FPEB	● XS
● MI	☆ GD
● AD_E	RTK
● CW	RTKP
● RD	VTK
● CH	

### Peninsula Easy Reach Wood Super Susan



All dimensions are to outside of frame

- ★◆ PEZR33 RR or L.WSS
- ★◆ PEZR33 LR or L.WSS
- ※ PEZR36 RR or L.WSS
- ※ PEZR36 LR or L.WSS

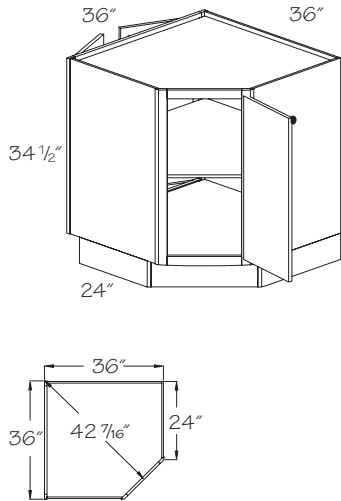
- ★ Glass doors unavailable on kitchen side
- ◆ Veranda doors will have a solid, recessed flat panel on kitchen side. Castlewood doors will have a veneer, recessed flat panel on kitchen side
- Wood-Grain Foil door styles will be supplied as vertical grain slabs
- ※ Unavailable with Aluminum Frame glass doors on kitchen side

- Specify R or L
- The first R or L designates kitchen side door hinging
- The second R or L designates peninsula frame position
- Two pie-cut shelves rotate individually
- EZR33 has 28" diameter shelves; EZR36 has 32" diameter shelves
- Rotating shelves are attached to cabinet floor and fixed shelf
- Lazy Susan unable to be turned from peninsula side with kitchen side doors in closed position
- Frame opening, from left to right edge is 10 1/2" for EZR33 and 14 3/4" for EZR36
- Doors are profiled on one long and two short edges and are connected with hinges
- Butt doors on peninsula side
- 31" door clearance recommended for delivery
- Toe kick is detachable
- **Note:** Peninsula side doors feature soft close hinging; soft close is unavailable on Kitchen side

● PE	IF
● APC	TWR
● APFC	WR
● FPEB	● XS
● MI	☆ GD
● AD_E	RTK
● CW	◆ RTKP
● RD	VTK
● CH	

### Peninsula Base Angle Cabinet

**PBA36 RR or L**  
**PBA36 LR or L**



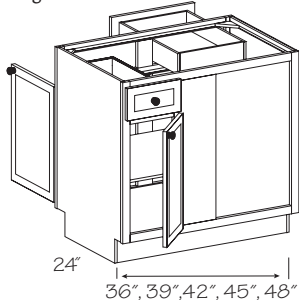
- Specify R or L
- The first R or L designates kitchen side door hinging
- The second R or L designates peninsula frame position
- Full-height doors
- One fixed shelf
- 31" door clearance recommended for delivery
- Toe kick is detachable
- **Note:** Full overlay door styles: Kitchen side doors use 1/2" overlay hinges; Peninsula side doors use full overlay hinges

● PE	IF
● APC	TWR
● APFC	WR
● FPEB	XS
● MI	● GD
● AD_E	RTK
CW	❖ RTKP
RD	VTK
● CH	

### Peninsula Base Blind Corner

★ **PBBC36 R or L**  
★ **PBBC39 R or L**  
★ **PBBC42 R or L**  
★ **PBBC45 R or L**  
★ **PBBC48 R or L**

Right Blind Shown



- ★ Full-height, kitchen side only. Veranda doors will have a solid recessed flat panel
- ★ Glass doors unavailable on kitchen side

- Specify R or L; R or L indicates blind
- Kitchen door is hinged from blind panel
- One adjustable shelf
- Blind panel (stile) is 8" wide
- Blind opening is covered with an unfinished panel
- Order Overlay Panel for Base Blind Corner separately
- Single door and working drawer on kitchen side; double doors single drawer and matching false drawer front on peninsula side
- Factory installed Roll-out Trays are unavailable
- **Note:** Two 3" base fillers included; order Blind Corner Overlay separately

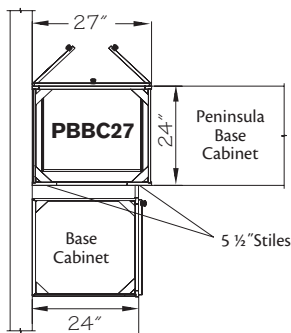
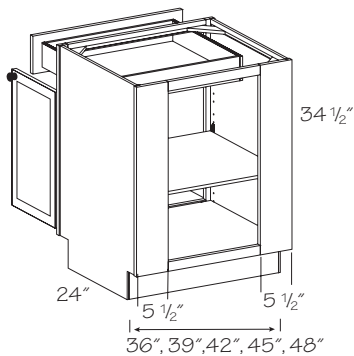
● PE	IF
● APC	TWR
● APFC	● WR
● FPEB	● XS
● MI	☆ GD
● AD_E	● RTK
CW	❖ RTKP
● RD	● VTK
● CH	



Consider using the Full Height Door (FHK), Full Height Peninsula (FHP) or Full Height Both (FHB) option on Peninsula Base Blind Corner Cabinets to increase storage height of the top shelf

### Peninsula Base Blind Corner - 27" Wide

**PBBC27**



- One adjustable shelf
- Two 5 1/2" stiles on blind side allow cabinet to be used as right or left
- Double doors and single drawer
- Reversible
- For use as a starter cabinet for peninsula
- Designed to fit flush against wall, cabinet may be pulled approximately 2 1/4". Full overlay door styles require a pull of at least 1" from wall to allow hardware clearance
- Filler included
- Order Overlay Panel for Base Blind Corner separately
- Working drawer and doors open to same side

● PE	IF
● APC	TWR
● APFC	● WR
● FPEB	● XS
● MI	● GD
● AD_E	● RTK
CW	❖ RTKP
● RD	● VTK
● CH	



Remember, when using a 27" wide Peninsula Base Blind Corner cabinet, it is highly recommended to use peninsula cabinets on the adjacent run due to depth continuity. If regular base cabinets are used, the run will not be flush once the matching panel is applied.



Consider using (FHP) on Peninsula Base Blind Corner 27" Cabinets to increase storage height of the top shelf



# Base Panels

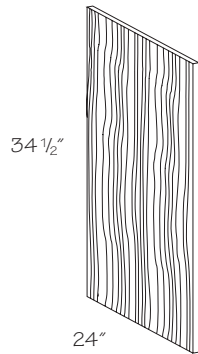
## Construction Options and Modifications

- ❖ Included as standard
- Available with an upcharge
- ☆ Available with exceptions
- (Blank) Unavailable

- PE Plywood Ends
- APC All Plywood Construction
- APFC All Plywood Furniture Construction
- FPEB Furniture Plywood Ends
- MI Matching Interior
- DE Integrated Decorative End
- AD\_E Attached Decorative End
- CW Change Width
- RD Reduced Depth
- CH Change Height
- WR Wide Bottom Rail
- RTK Recessed Toe Kick
- VTK Void Toe Kick

Material dimensions listed may vary slightly from actual dimensions of the product. Specifications subject to change without notice.

### Base End Panel

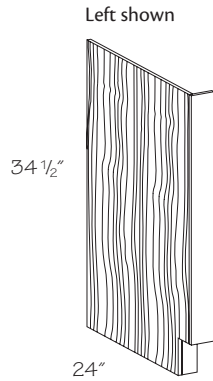


- Vinyl*
- **VBEP** 24" x 34 1/2" x 3/4"
- Wood Veneer*
- ※ **WBEP** 24" x 34 1/2" x 13/16"
- Quartersawn door styles are supplied plain sawn
- ※ Thermofolds are painted hardwood

- Edgebanded one long edge
- Finished to match exterior both sides
- ☆ APC panel only available in wood veneer
- ☆ APC panel is 11/16" thick

PE	CW
☆ APC	RD
APFC	● CH
FPEB	WR
MI	RTK
DE	VTK
AD_E	

### Base End Panel w/Stile

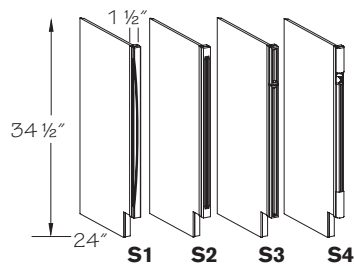


- **BEP 1 1/2 R or L**
- **BEP3 R or L**
- **BEP6 R or L**
- (CW) option unavailable

- Specify R or L
- Exterior finished to match, interior is Natural Birch vinyl and machined to match a cabinet end panel
- Crafted door styles will be supplied in plain sawn wood
- Quartersawn door styles are supplied plain sawn
- Painted hardwood supplied for EverCore®

● PE	☆ CW
● APC	● RD
● APFC	● CH
● FPEB	● WR
● MI	● RTK
● DE	● VTK
● AD_E	

### Decorative Accent End Panel

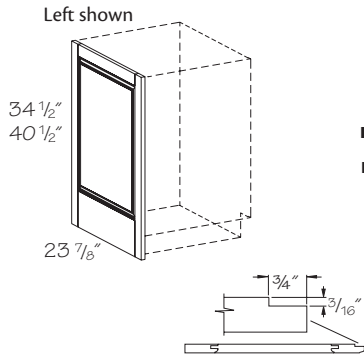


- **DEP2434 R or L.S1**
- **DEP2434 R or L.S2**
- **DEP2434 R or L.S3**
- ※ **DEP2434 R or L.S4**
- ※ Unavailable in Rustic Alder door styles

- Specify R or L
- Available in Alder, Cherry, EverCore® and Maple full overlay door styles only
- Painted hardwood supplied for EverCore®
- Applied decorative accent mounted toward end panel
- End panel is trimmable

PE	CW
● APC	● RD
● APFC	CH
❖ FPEB	WR
● MI	RTK
● DE	VTK
● AD_E	

### Matching Base End Panel



Standard edge detail—fits flush against 1/2" end panel and behind face frame

34 1/2" High  
**MBEP R or L**

40 1/2" High  
**MBEP40 .R or L**

Peninsula  
**PMBEP**

■ Unavailable in Wood-Grain Foil door styles

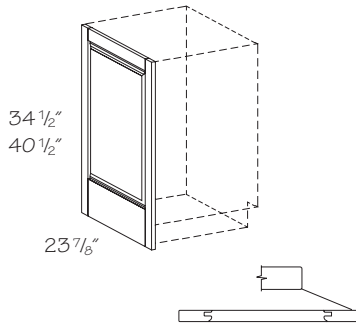
- Specify R or L
- 3/4" thick panel with matching door edge profile on front edge only
- Peninsula panel has routed door profile front and back
- Foil and slab door styles do **not** have grooves and will **not** fit flush against 1/2" end panel. A 3/16" shim is recommended
- Inside of matching panel bottom rail will line up with inside bottom rail of door
- Unavailable in mitered or Coleburne door styles; use End Panel-Mitered
- Unavailable in High-Gloss Foil door styles
- ☆ Field notch Wide Bottom Rail for toe kick
- Field install

PE	●	CW
APC		RD
APFC	●	CH
FPEB	☆	WR
MI		RTK
DE		VTK
AD_E		



When designing with Matching End Panels the reveal will differ from the cabinet door height reveal. Matching End Panels cover the entire side of the cabinet. See drawing for exact measurements

### Matching Base End Panel - Square Edges



Will not fit flush against 1/2" end panel, a 3/16" shim is recommended

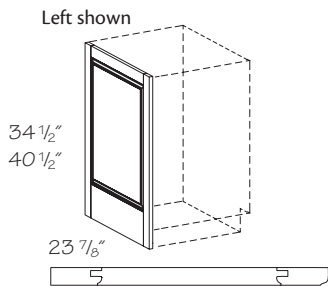
34 1/2" High  
**MBEP .S**

40 1/2" High  
**MBEP40 .S**

- 3/4" thick panel with square edge front and back
- Inside of matching panel bottom rail will line up with inside bottom rail of door
- Reversible, may be used on either right or left end
- No frame recess dado
- Unavailable in High-Gloss Foil, Thermofoil or Wood-Grain Foil door styles
- Unavailable in mitered door styles; use End Panel-Mitered
- ☆ Field notch Wide Bottom Rail for toe kick
- Field install

PE	●	CW
APC		RD
APFC	●	CH
FPEB	☆	WR
MI		RTK
DE		VTK
AD_E		

### Furniture Matching Base End Panel



Standard edge detail—fits flush against 1/2" end panel

34 1/2" High  
**FMBEP R or L**

40 1/2" High  
**FMBEP40 .R or L**

Peninsula  
**FPMBEP**

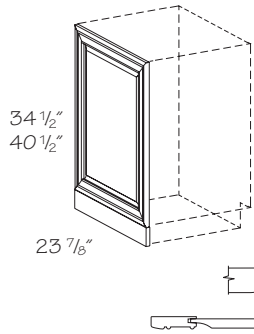
- Specify R or L
- 3/4" thick panel with matching door edge profile on front edge only
- Peninsula panel has routed door profile front and back
- Inside of matching panel bottom rail will line up with inside bottom rail of door
- For use with Furniture Plywood Ends-flush ends
- Unavailable in mitered door styles; use End Panel-Mitered
- Unavailable in High-Gloss Foil or Wood-Grain Foil door styles
- ☆ Field notch Wide Bottom Rail for toe kick
- Field install

PE	●	CW
APC		RD
APFC	●	CH
FPEB	☆	WR
MI		RTK
DE		VTK
AD_E		



When designing with Matching End Panels the reveal will differ from the cabinet door height reveal. Matching End Panels cover the entire side of the cabinet. See drawing for exact measurements

### Matching Base End Panel - Mitered



34 1/2" High  
**M.MBEP**  
 40 1/2" High  
**M.MBEP40**

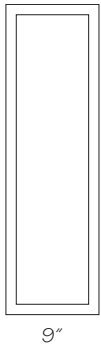
Will not fit flush against 1/2" end panel,  
 a 3/16" shim is recommended

- 3/4" thick panel with matching door edge profile on four sides
- Inside of matching panel bottom rail will line up with inside bottom rail of door
- Available in mitered and Coleburne door styles only
- Reversible, may be used on either right or left end
- Toe kick shipped unattached
- ☆ Field notch Wide Bottom Rail for toe kick
- Field install

PE	●	CW
APC		RD
APFC	●	CH
FPEB	☆	WR
MI		RTK
DE		VTK
AD_E		

### Overlay Panel for Base Blind Corner Cabinets

**OPWBC30**



- Available in full overlay door styles only
- Field miter
- Overlay Panel has routed door profile and is made from the same material as doors and drawer fronts

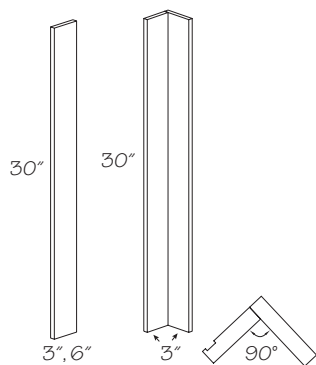
PE		CW
APC		RD
APFC		CH
FPEB		WR
MI		RTK
DE		VTK
AD_E		

# Base Fillers

Material dimensions listed may vary slightly from actual dimensions of the product. Specifications subject to change without notice.

## Base Filler

**BF3**  
**BF6**  
**BF3X3**



- 3/4" thick solid wood
- Finished one side only
- Crafted door styles will be supplied in plain sawn wood
- Quartersawn door styles are supplied plain sawn
- Painted or Stained hardwood supplied for Wood-Grain Foil door styles
- Painted hardwood supplied for EverCore® and Thermofoil
- No toe kick

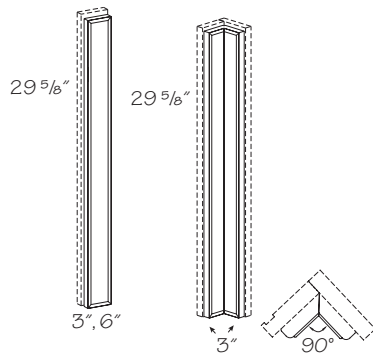


Remember to use fillers with full overlay door styles, especially square edge profiles, when cabinets will be against a return wall, box, pilaster or column. Use fillers on all overlays if there is case molding on a return wall. This will ensure proper clearance for drawers and roll-out tray access.

## Base Filler Overlay

**BFOL3**  
**BFOL6**  
**▲ BFOL3X3**

▲ Shipped as two pieces in Thermofoil and Wood-Grain Foil door styles; field trim and miter



- Available in full overlay door styles only
- Available in High-Gloss Foils finish except in 3X3 models
- Filler ordered separately
- Filler overlay has routed door profile and is made from the same material as doors and drawer fronts
- Consider using Custom Filler Overlay option in applications that require (CW)

## Custom Filler Overlay

**CFOL**

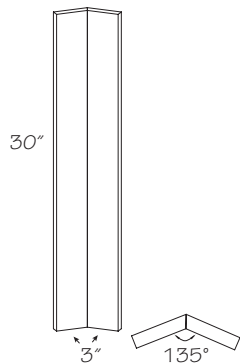
- Slab design only



### Matching Outside Profile

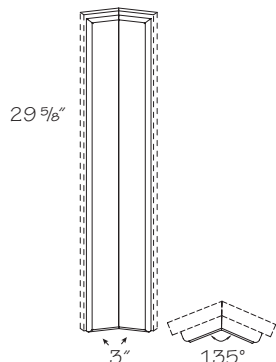
Min. Width	Max. Width	Min. Height	Max. Height
2 5/8"	8"	6"	96"

**Base Inside Corner Angle Filler**  
**ICAF30**



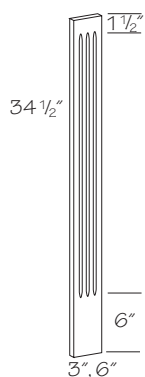
- 3/4" thick solid wood
- Crafted door styles will be supplied in plain sawn wood
- Quartersawn door styles are supplied plain sawn
- Finished one side only
- Shipped in one piece
- Unavailable in Thermofoil door styles
- Painted hardwood supplied for EverCore®
- Painted or Stained hardwood supplied for Wood-Grain Foil door styles

**Base Inside Corner Angle Filler Overlay**  
**ICAFOL30**



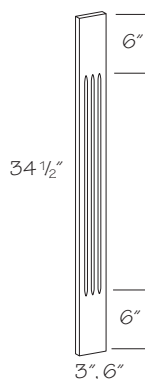
- 3/4" thick solid wood
- Available in full overlay door styles only
- Filler overlay has routed door profile and is made from the same material as doors and drawer fronts
- Filler ordered separately
- Quartersawn Oak door styles are 3/4" quartersawn wood with matching door profile on all sides. Quartersawn Cherry and Maple door styles are quartersawn wood veneer
- Shipped as two pieces
- Unavailable in Thermofoil door styles

**Base Fluted Filler**  
**BFF3**  
**BFF6**



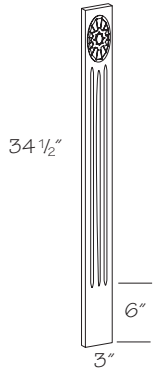
- 3/4" thick solid wood
- Quartersawn door styles are supplied plain sawn
- Painted hardwood supplied for EverCore® and Thermofoil
- Painted or Stained hardwood supplied for Wood-Grain Foil door styles

**Plain Capital Base Fluted Filler**  
**PCBFF3**  
**PCBFF6**



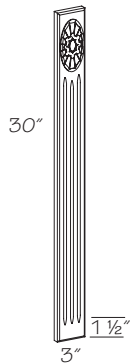
- 3/4" thick solid wood
- Quartersawn door styles are supplied plain sawn
- Painted hardwood supplied for EverCore® and Thermofoil
- Painted or Stained hardwood supplied for Wood-Grain Foil door styles

**Rosette Base Fluted Filler**  
**RBFF3**



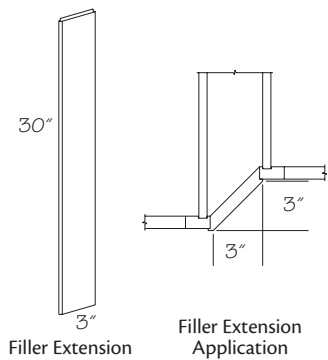
- 3/4" thick solid wood
- Applied decorative rosette
- Painted hardwood supplied for EverCore® and Thermofoil
- Unavailable in Rustic Alder door styles
- Unavailable in Wood-Grain Foil door styles
- Quartersawn door styles are supplied plain sawn

**Rosette Base Fluted Filler Overlay**  
**RFBFOL3**



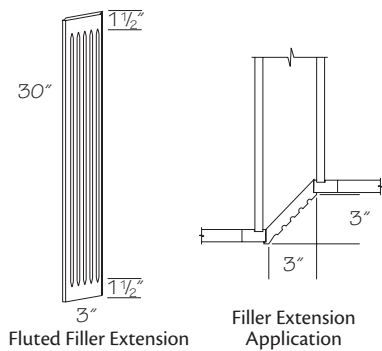
- 3/4" thick solid wood
- Applied decorative rosette
- Painted hardwood supplied for EverCore® and Thermofoil
- Unavailable in Rustic Alder door styles
- Unavailable in Wood-Grain Foil door styles
- Quartersawn door styles are supplied plain sawn

**Filler Extension**  
**FE3.30**



- 3/4" thick solid wood
- Crafted door styles will be supplied in plain sawn wood
- Quartersawn door styles are supplied plain sawn
- Painted hardwood supplied for EverCore® and Thermofoil
- Painted or Stained hardwood supplied for Wood-Grain Foil door styles

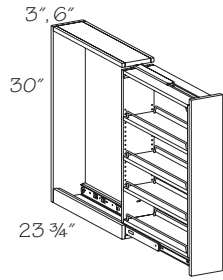
**Fluted Filler Extension**  
**FFE3.30**



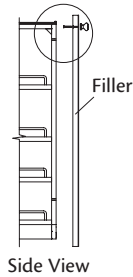
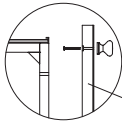
- 3/4" thick solid wood
- Painted hardwood supplied for EverCore® and Thermofoil
- Painted or Stained hardwood supplied for Wood-Grain Foil door styles
- Quartersawn door styles are supplied plain sawn

## Base Filler Pull-out

**BFP3** 1 3/4" shelf width  
**BFP6** 4 3/4" shelf width



Install decorative hardware prior to attaching filler to pull-out unit



- Three adjustable shelves
- Unit slides on full extension side-mount runners
- Recommended installation is between two cabinets
- Installation may also be made between a cabinet and a wall or a cabinet and an end panel with stile
- Filler is included, but unattached. Unit should be installed before removing shipping brace and attaching filler
- A filler overlay is recommended for full overlay door styles; order separately
- Crafted door styles will be supplied in plain sawn wood
- Painted hardwood supplied for EverCore®
- Quartersawn door styles are supplied plain sawn
- No toe kick



Filler pullouts need to be installed between two cabinets or a cabinet and an end panel; unable to use at the end of cabinet runs or next to appliances



Consider using a Replacement Drawer Front (RDW3006) on a Base Filler Pullout as an overlay for 1/2" door styles.

# Base Decorative Accents

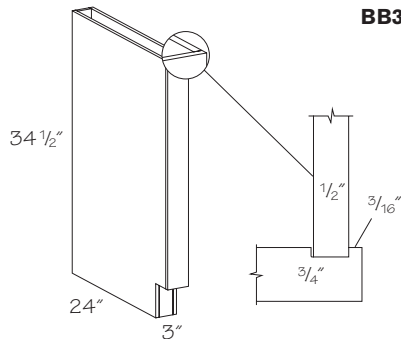
## Construction Options and Modifications

- ❖ Included as standard
- Available with an upcharge
- ☆ Available with exceptions
- (Blank) Unavailable

- PE Plywood Ends
- APC All Plywood Construction
- APFC All Plywood Furniture Construction
- FPEB Furniture Plywood Ends
- AD\_E Attached Decorative End
- CW Change Width
- RD Reduced Depth
- CH Change Height
- WR Wide Bottom Rail
- RTKP Recessed Toe Kick Peninsula
- VTK Void Toe Kick

Material dimensions listed may vary slightly from actual dimensions of the product. Specifications subject to change without notice.

### Base Box BB3

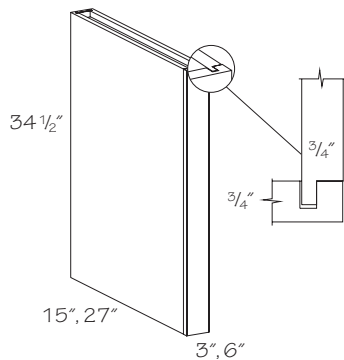


- Finished front and both sides
- Crafted door styles will be supplied in plain sawn wood
- Quartersawn door styles are supplied plain sawn
- Painted hardwood supplied for EverCore®
- Painted or Stained hardwood supplied for Wood-Grain Foil door styles
- Reversible, may be used on either right or left end
- ☆ Only available with (RTKP); unable to accommodate (RTKPB, RTKPL, RTKPR)

● PE	● RD
● APC	● CH
● APFC	● WR
● FPEB	☆ RTKP
● AD_E	● VTK
CW	

### Base Column

- BC315
- BC615
- BC327
- BC627
- (CW) option unavailable

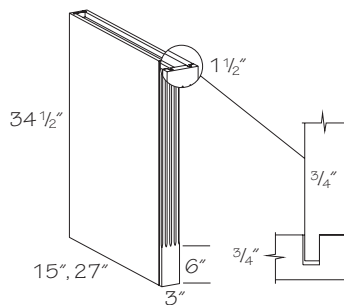


- Front is 3/4" solid wood
- Quartersawn Oak door styles have 3/4" solid quartersawn wood front and quartersawn wood veneer end panels
- Painted hardwood supplied for EverCore®
- Foil-wrapped MDF supplied for Wood-Grain Foil door styles on face frame only
- Plain sawn material supplied for Crafted door styles
- Finished front and both sides
- Reversible, may be used on either right or left end
- ☆ (APFC) standard when (APC) option is selected

PE	● RD
● APC	● CH
☆ APFC	❖ WR
❖ FPEB	RTKP
AD_E	VTK
☆ CW	

### Base Fluted Column

- BFC315
- BFC327

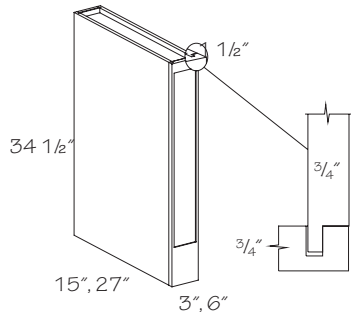


- Fluted front is 3/4" solid wood; plain sawn wood supplied for quartersawn door styles
- Finished front and both sides
- Quartersawn Oak door styles have quartersawn wood veneer end panels
- Painted hardwood supplied for EverCore®
- Painted or Stained hardwood supplied for Wood-Grain Foil door styles
- Plain sawn material supplied for Crafted door styles
- Reversible, may be used on either right or left end
- ☆ (APFC) standard when (APC) option is selected

PE	● RD
● APC	● CH
☆ APFC	❖ WR
❖ FPEB	RTKP
AD_E	VTK
CW	



### Sterling Base Column

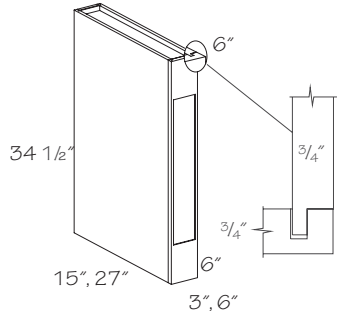


**STBC315**  
**STBC615**  
**STBC327**  
**STBC627**

- Front is 3/4" solid wood
- Finished front and both sides
- Available in Cherry, EverCore®, Maple and Wood-Grain Foil door styles only
- Painted hardwood supplied for EverCore®
- Painted hardwood supplied for Wood-Grain Foil door styles; only available in white
- Reversible, may be used on either right or left end
- ☆ (APFC) standard when (APC) option is selected

PE	● RD
● APC	● CH
☆ APFC	◇ WR
◇ FPEB	RTKP
AD_E	VTK
CW	

### Plain Capital Sterling Base Column

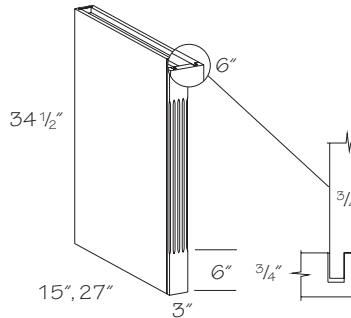


**PCSTBC315**  
**PCSTBC615**  
**PCSTBC327**  
**PCSTBC627**

- Front is 3/4" solid wood
- Finished front and both sides
- Available in Cherry, EverCore®, Maple, Rustic Alder and Wood-Grain Foil door styles only
- Painted hardwood supplied for EverCore®
- Painted hardwood supplied for Wood-Grain Foil door styles; only available in white
- Reversible, may be used on either right or left end
- ☆ (APFC) standard when (APC) option is selected

PE	● RD
● APC	● CH
☆ APFC	◇ WR
◇ FPEB	RTKP
AD_E	VTK
CW	

### Plain Capital Base Fluted Column

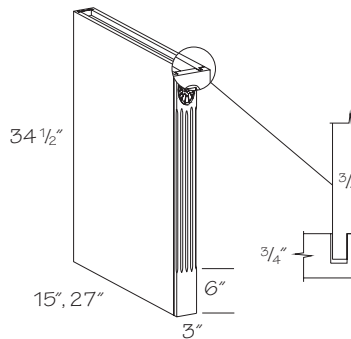


**PCBFC315**  
**PCBFC327**

- Fluted front is 3/4" solid wood; plain sawn wood supplied for quartersawn door styles
- Quartersawn Oak door styles have quartersawn wood veneer end panels
- Painted hardwood supplied for EverCore®
- Painted or Stained hardwood supplied for Wood-Grain Foil door styles
- Plain sawn material supplied for Crafted door styles
- Finished front and both sides
- Reversible, may be used on either right or left end
- ☆ (APFC) standard when (APC) option is selected

PE	● RD
● APC	● CH
☆ APFC	◇ WR
◇ FPEB	RTKP
AD_E	VTK
CW	

### Rosette Base Fluted Column



**RBFC315**  
**RBFC327**

- Fluted front is 3/4" solid wood; plain sawn wood supplied for quartersawn door styles
- Applied decorative rosette
- Quartersawn Oak door styles have quartersawn wood veneer end panels
- Finished front and both sides
- Reversible, may be used on either right or left end
- Painted hardwood supplied for EverCore® and Thermofoil
- Plain sawn material supplied for Crafted door styles
- Unavailable in Rustic Alder door styles
- Unavailable in Wood-Grain Foil door styles
- ☆ (APFC) standard when (APC) option is selected

PE	● RD
● APC	● CH
☆ APFC	◇ WR
◇ FPEB	RTKP
AD_E	VTK
CW	

# Countertop & Shelf Supports

## Construction Options and Modifications

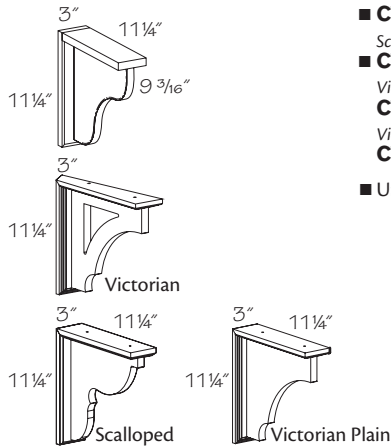
- ❖ Included as standard
- Available with an upcharge
- ☆ Available with exceptions
- (Blank) Unavailable

- A Alder
- C Cherry
- E EverCore®
- H Hickory
- TH Thermofoil
- HG High-Gloss Foil
- WG Wood-Grain Foil
- M Maple
- O Oak
- QS Quartersawn

All components ordered in quartersawn door styles will be supplied as plain sawn.

Material dimensions listed may vary slightly from actual dimensions of the product. Specifications subject to change without notice.

### Countertop Support



#### ■ CTS

Scalloped

#### ■ CTS .S

Victorian

#### ■ CTS .V

Victorian Plain

#### ■ CTS .VP

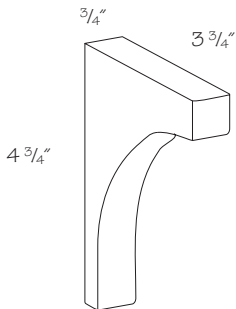
- Unavailable in Wood-Grain Foil door styles

- Solid wood
- Painted hardwood supplied for EverCore® and Thermofoil
- Painted or Stained hardwood supplied for Wood-Grain Foil door styles
- For use when extra support for shelves or overhanging countertop is required

❖ A	HG
❖ C	☆ WG
❖ E	❖ M
❖ H	❖ O
❖ TH	❖ QS

### Mission Angle Support

#### MAS

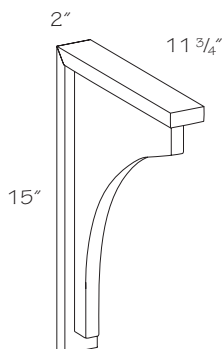


- Solid wood
- Painted hardwood supplied for EverCore®
- Plain sawn material supplied for Crafted door styles
- Corner piece from shelf support bracket only
- Unavailable in (RD)

❖ A	HG
❖ C	WG
❖ E	❖ M
H	O
TH	❖ QS

### Mission Countertop Support

#### MCTS

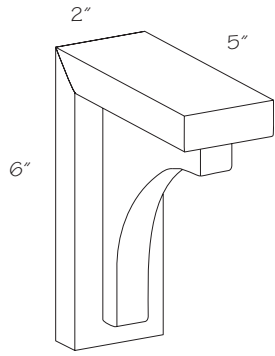


- Solid wood
- Painted hardwood supplied for EverCore®
- Plain sawn material supplied for Crafted door styles
- For use when extra support for shelves or overhanging countertop is required
- Unavailable in (RD)

❖ A	HG
❖ C	WG
❖ E	❖ M
H	O
TH	❖ QS

## Mission Shelf Support Bracket

**MSSB**



- Solid wood
- Painted hardwood supplied for EverCore®
- Plain sawn material supplied for Crafted door styles
- Unavailable in (RD)

❖	A	HG
❖	C	WG
❖	E	❖ M
	H	O
	TH	❖ QS

## Shelf Support Bracket

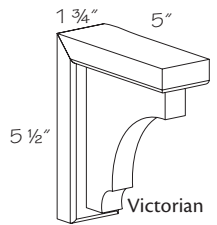
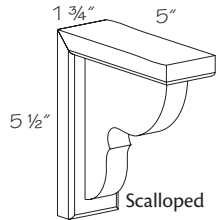
*Scalloped*

**SSB .S**

*Victorian*

■ **SSB .V**

- Unavailable in Wood-Grain Foil door styles



- Painted hardwood supplied for EverCore® and Thermofoil
- Painted or Stained hardwood supplied for Wood-Grain Foil door styles

❖	A	HG
❖	C	☆ WG
❖	E	❖ M
❖	H	❖ O
❖	TH	❖ QS

# Base Accessories

## Construction Options and Modifications

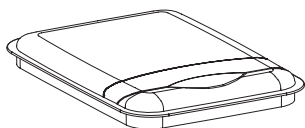
- APC All Plywood Construction
- MI Matching Interior
- CW Change Width
- RD Reduced Depth

<b>RBFC</b>	<b>3</b>	<b>15</b>
code	width	depth

- ❖ Included as standard
- Available with an upcharge
- ☆ Available with exceptions
- (Blank) Unavailable

Material dimensions listed may vary slightly from actual dimensions of the product. Specifications subject to change without notice.

### Wastebasket Lid



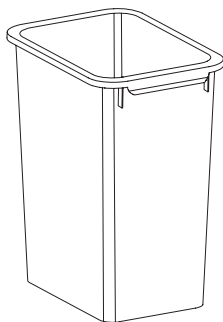
Fits 35 qt. Wastebaskets  
**WBL35.G** Grey  
**WBL35.W** White

Fits 50 qt. Wastebaskets  
**WBL50.G** Grey  
**WBL50.W** White

- Lid flips open manually
- Lid holds can liner in place

APC	CW
MI	RD

### Replacement Wastebasket



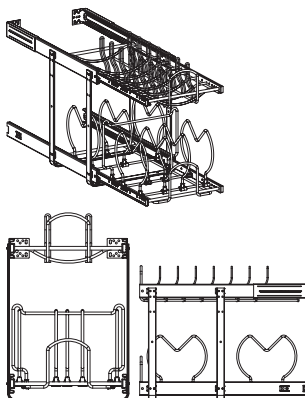
**RWB27** 27 qt. White  
**RWB30** 30 qt. White  
**RWB35** 35 qt. White  
**RWB50** 50 qt. White  
**RCWB50** 50 qt. Grey

- Optional Wastebasket Lid available for 35 and 50 qt. wastebaskets

APC	CW
MI	RD

### Tiered Pan and Lid Storage Pull-out Kit

**TPLSK15**

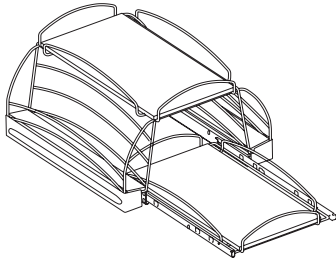


- Fits into 15" wide 24" deep base full-height cabinets
- Overall unit height is 18"
- Chrome wire roll-out unit
- Pull-out unit is 11 5/8" wide
- Unit slides on full extension side-mount runners
- Bottom portion of pull-out has movable dividers and is adjustable to accommodate different pan sizes

APC	CW
MI	RD

## Base Cookware Storage Roll-out Field Installation

### BCSRK24



Base Cookware Storage Roll-out Field Installation Chart

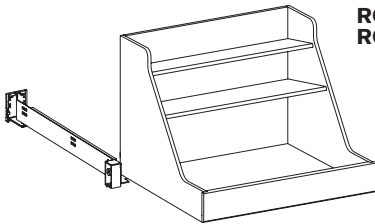
Cabinet	(Max) #BCSRKs
Base	2
Base.FH/ Base.FH.40	3
Tall	5
Desk	1
Desk.FH/ Vanity	2
Vanity.FH	3
VLC 88 1/2" H	3 (Top) 3 (Bottom)

- Fits into 24" wide 24" deep base or base full-height cabinets
- Satin nickel heavy duty wire rack
- Both shelves roll out independently of unit on full extension runners
- Shelf bottoms are Birch veneer
- Top shelf is 11" x 21", bottom shelf is 12" x 21"
- Lower shelf has 9 1/2" clearance
- Side racks are 2 3/8" wide

APC	CW
MI	RD

## Base Pots and Pans Organizer Roll-out Field Installation

### ROT30 .BPPSO ROT36 .BPPSO



Base Pots and Pans Organizer Field Installation Chart

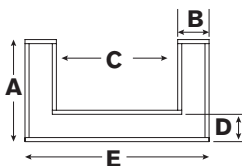
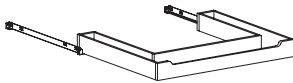
Cabinet	(Max) #BCSRKs
Base/Base.FH/ Base.FH.40/ Tall	1
Desk/Desk.FH/ Vanity/Vanity. FH/VLC 88 1/2" H	N/A

- 4" high Roll-out Tray with integrated shelf system
- Roll-out sides and back are 3/4" wood veneer plywood; the shelves are 1/2" wood veneer plywood
- Includes full extension soft close runners
- Mounting hardware and runners included
- 24" depth only

APC	CW
MI	RD

## Sink Base U-Shaped Deluxe Roll-out Tray - Field Installation

### SBUDXROT36 SBUDXROT39 SBUDXROT42

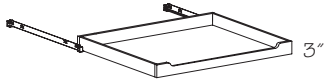


- Roll-out trays are 4" deep, 5/8" solid wood dovetailed sides with 3 1/6" plywood bottom, notched front and full extension runners with soft close hinges

APC	CW
MI	RD

Cabinet	Opening	A	B	C	D	E
SBUDXROT36	33"	17 9/16"	5 5/16"	21 3/16"	4 1/8"	31 13/16"
SBUDXROT39	36"	17 9/16"	5 5/16"	24 3/16"	4 1/8"	34 13/16"
SBUDXROT42	39"	17 9/16"	5 5/16"	27 3/16"	4 1/8"	37 13/16"

### Replacement Deluxe Rollout Trays for BDDC Cabinet



**DXROT18.24.3**  
**DXROT24.24.3**  
**DXROT30.24.3**  
**DXROT36.24.3**

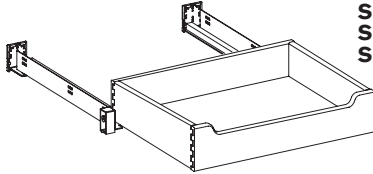
*w/Reduced Depth (RD) option*

**DXROT18.21.3**  
**DXROT24.21.3**  
**DXROT30.21.3**  
**DXROT36.21.3**

- Replacement 3" deluxe rollout tray for BDDC cabinet
- Mounting hardware and runners included

APC	CW
MI	RD

### Sink Base Shallow Deluxe Roll-out Tray - Field Installation



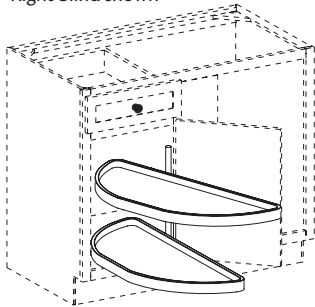
**SBDXROT36 .21**  
**SBDXROT39 .21**  
**SBDXROT42 .21**

- Tray is nominally 21" deep to allow clearance for plumbing

APC	CW
MI	RD

### Base Blind Corner Wood Lazy Susan Kit

Right Blind shown

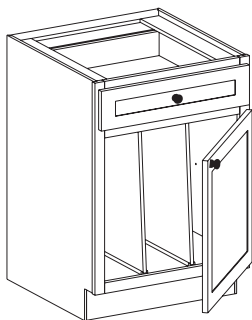


**LSK42 R or L.WLS**  
**LSK45 R or L.WLS**  
**LSK48 R or L.WLS**

- Specify R or L; R or L indicates blind
- Available for 42", 45" and 48" base blind cabinets
- Kit includes two half circle shelves that rotate out individually and mounting hardware
- Rotating shelves have wood floor and trim
- Field install

APC	CW
MI	RD

### Tray Dividers - Base



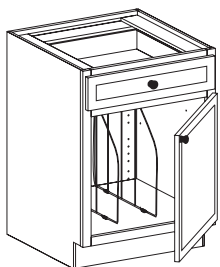
B24R-2TD shown

**1TD**  
**2TD**  
**3TD**  
**4TD**  
**5TD**  
**6TD**

- 1/2" natural Birch vinyl
- Available factory installed for 24" deep cabinets only
- ☆ Modify depth after tray divider is selected
- Installed in wood or plastic U-channels
- Shelves are eliminated when this option is selected
- Specify quantity and location
- Unavailable in 40 1/2" high Base cabinets

APC	CW
MI	☆ RD

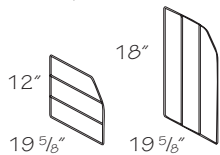
### Wire Tray Divider Kit



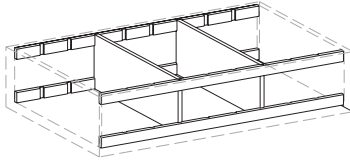
**WTDK12**  
**WTDK18**

- Installation clips and screws included
- White epoxy coated wire
- Field install

APC	CW
MI	RD



## Adjustable Drawer Dividers



\* **1ADD**  
**2ADD**

Single Replacement  
Dividers Only

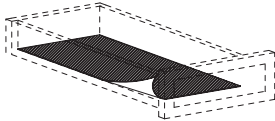
<b>ADDIV.7.12</b>	7" High 12" Deep Drawers
<b>ADDIV.7.15</b>	7" High 15" Deep Drawers
<b>ADDIV.7.18</b>	7" High 18" Deep Drawers
<b>ADDIV.7.21</b>	7" High 21" Deep Drawers
<b>ADDIV.7.24</b>	7" High 24" Deep Drawers
<b>ADDIV.10.21</b>	10" High 21" Deep Drawers
<b>ADDIV.10.24</b>	10" High 24" Deep Drawers
<b>ADDIV.11.21</b>	11" High 21" Deep Drawers
<b>ADDIV.11.24</b>	11" High 24" Deep Drawers

\* Installed in bottom drawer of cabinets with 2 deep drawers

- Dividers are 1/2" thick and can be spaced approximately 3" apart
- Fits drawers of all 24"-42" Base cabinets
- For 24"-27" wide cabinets, two dividers supplied
- For 30"-42" wide cabinets, three dividers supplied
- Available factory installed only

APC	CW
MI	RD

## Non-slip drawer liner



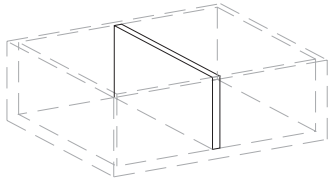
9" Wide <b>NSDLK924</b>	For B9
12" Wide <b>NSDLK1224</b>	for B12
15" Wide <b>NSDLK1524</b>	for B15 & B30+2D
18" Wide <b>NSDLK1824</b>	for B18 & B36+2D
21" Wide <b>NSDLK2124</b>	for B21
24" Wide <b>NSDLK2424</b>	for B24 & B48
27" Wide <b>NSDLK2724</b>	for B27
30" Wide <b>NSDLK3024</b>	for B30
33" Wide <b>NSDLK3324</b>	for B33
33" Wide 2-Drawer <b>NSDLK1624</b>	for B33
36" Wide <b>NSDLK3624</b>	for B36
39" Wide <b>NSDLK3924</b>	for B39
39" Wide 2-Drawer <b>NSDLK1924</b>	for B39
42" Wide <b>NSDLK4224</b>	for B42
45" Wide 2-Drawer <b>NSDLK2224</b>	for B45
Deluxe Roll-out Trays, 12" Wide <b>NSDLDXTK1224</b>	for 12" wide 24" DXROT
Deluxe Roll-out Trays, 15" Wide <b>NSDLDXTK1524</b>	for 15" wide 24" DXROT
Deluxe Roll-out Trays 24" wide <b>NSDLDXTK1624</b>	for 16 1/2" Wide 24" DXROT
Deluxe Roll-out Trays, 18" Wide <b>NSDLDXTK1824</b>	for 18" wide 24" DXROT
Deluxe Roll-out Trays 24" wide <b>NSDLDXTK1924</b>	for 19 1/2" Wide 24" DXROT
Deluxe Roll-out Trays, 21" Wide <b>NSDLDXTK2124</b>	for 21" wide 24" DXROT
Deluxe Roll-out Trays 24" wide <b>NSDLDXTK2224</b>	for 22 1/2" Wide 24" DXROT
Deluxe Roll-out Trays, 24" Wide <b>NSDLDXTK2424</b>	for 24" wide 24" DXROT
Deluxe Roll-out Trays, 27" Wide <b>NSDLDXTK2724</b>	for 27" wide 24" DXROT
Deluxe Roll-out Trays, 30" Wide <b>NSDLDXTK3024</b>	for 30" wide 24" DXROT
Deluxe Roll-out Trays, 33" Wide <b>NSDLDXTK3324</b>	for 33" wide 24" DXROT
Deluxe Roll-out Trays, 36" Wide <b>NSDLDXTK3624</b>	for 36" wide 24" DXROT
Field Trim <b>NSDLR</b>	Roll-60" wide - Field trim to fit

Grey color coding indicates new product, size or code.

- Textured translucent lining to help prevent movement of items placed inside drawers
- Liners do **not** adhere to the drawer floor
- Available cut to size, see available options
- Also available as a roll (60" x 23 5/8")
- For 24" deep cabinets only
- Liners sold individually
- Field install

APC	CW
MI	RD

### Drawer Partition

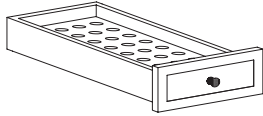


- 3/4" solid wood  
**DP24 .4** 4" high drawers  
**DP24 .7** 7" high drawers  
**DP24 .10** 10" High Drawers  
 3/4" plywood  
**DP24 .11** 11" high drawers

- Fits drawers from front to back
- Field install

APC	CW
MI	RD

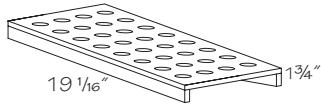
### K-Cup® Drawer Organizer Kit-Field Installation



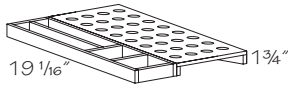
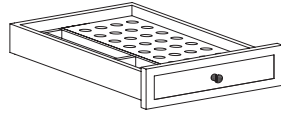
- KCDOK15** 32 K-Cups  
**KCDOK18** 40 K-Cups  
**KCDOK21** 32 K-Cups with 4 storage compartments  
**KCDOK24** 40 K-Cups with 4 storage compartments

- Available for 24" deep cabinets only
- K-cup® is a registered trademark of Keurig Green Mountain, Inc.

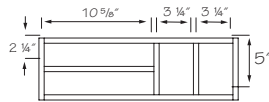
APC	CW
MI	RD



**KCDOK15-KCDOK18**

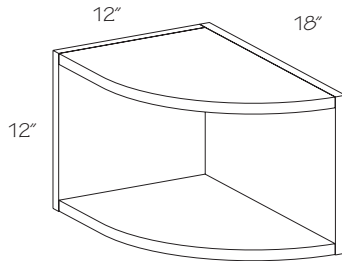


**KCDOK21-KCDOK24**



### Sink Base Multi - Storage Shelf Kit

#### SBMSSK

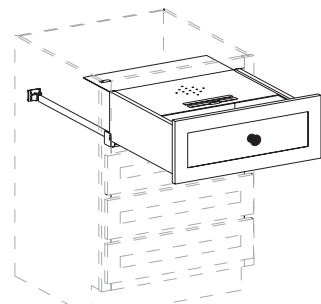


- 3/4" Natural Birch plywood
- Installation instructions included
- Field install

APC	CW
MI	RD

### Sliding Bread Box Lid

#### SBB



BD cabinet with IF (Inverted Frame) option shown

- Fits deep drawer of all 15"-24" base cabinets
- Textured acrylic lid
- Ventilated sliding top

APC	CW
MI	RD



**Pull-out Table Kit  
POTK24**

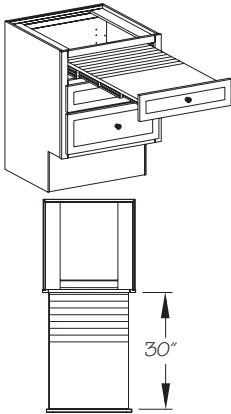
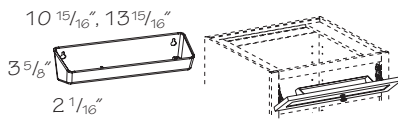


Table top extends 30" out from front of cabinet

- Fits into standard 24" wide base cabinet; 21" wide drawer opening
- Load capacity 160 lbs.
- Install prior to installation of countertop
- Top constructed of laminated Maple melamine
- Unable to be used in any freestanding cabinet; secure to floor or wall
- **Not** designed to be used as a cutting board

APC	CW
MI	RD

**Utensil Tray or Kit**



Installed  
**UT**

Kit

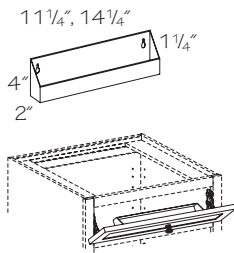
- UTK18
- UTK21
- UTK24
- UTK27
- UTK30
- UTK33
- UTK36
- UTK39
- UTK42
- UTK45
- UTK48

- Almond high-impact polystyrene tray
- Kit includes all mounting hardware
- Tilts down for convenient access to small cleaning items, etc.
- **Note:** When ordering for field installation, be sure to specify the cabinet width

APC	CW
MI	RD

Cabinet	Tray	Order for field installed kit
SBA36	1-11"	UTK18
SFC40	2-11"	UTK30
SFA36	1-11"	UTK18
SFA39-42	1-14"	UTK24
SB18	1-11"	UTK18
SB21-27	1-14"	UTK (cabinet width)
SB30	2-11"	UTK (cabinet width)
SB33-48	2-14"	UTK (cabinet width)

**Stainless Utensil Tray or Kit**



Installed  
**SUT**

Kit

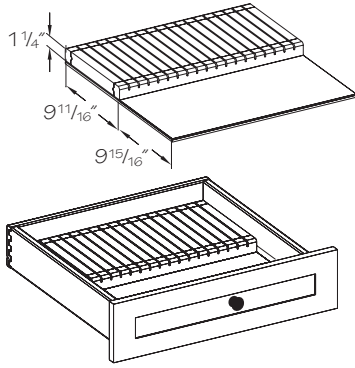
- SUTK18
- SUTK21
- SUTK24
- SUTK27
- SUTK30
- SUTK33
- SUTK36
- SUTK39
- SUTK42
- SUTK45
- SUTK48

- Stainless steel tray
- Tilts down for convenient access to small cleaning items, etc.
- Kit includes all mounting hardware
- **Note:** When ordering for field installation, be sure to specify the cabinet width

APC	CW
MI	RD

Cabinet	Tray	Order for field installed kit
SBA36	1-11"	SUTK18
SFA36	1-11"	SUTK18
SFA39-42	1-14"	SUTK24
SB18	1-11"	SUTK18
SB21-27	1-14"	SUTK (cabinet width)
SB30	2-11"	SUTK (cabinet width)
SB33-48	2-14"	SUTK (cabinet width)

### Knife Section or Kit

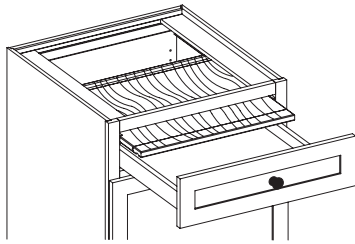


<i>Installed</i>	<i>knife slots</i>
<b>KS15</b>	9
<b>KS18</b>	12
<b>KS21</b>	15
<b>KS24</b>	18
<i>Kit</i>	<i>knife slots</i>
<b>KSK15</b>	9
<b>KSK18</b>	12
<b>KSK21</b>	15
<b>KSK24</b>	18

- Solid wood, slotted knife holder is 9 11/16" deep
- Cork pad protects drawer bottom, knife handles and edges
- Slots are 1/8" wide, spaced 1" apart

APC	CW
MI	RD

### Cutting Center or Kit

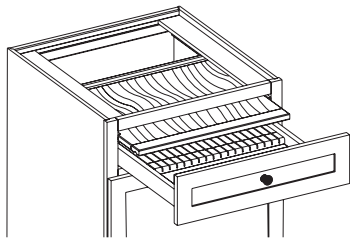


<i>Installed</i>
<b>CC15</b>
<b>CC18</b>
<b>CC21</b>
<b>CC24</b>
<i>Kit</i>
<b>CCK15</b>
<b>CCK18</b>
<b>CCK21</b>
<b>CCK24</b>

- 2 1/4" high drawer box with cutting board installed above
- Remove cutting board for use

APC	CW
MI	RD

### Knife Section Cutting Center or Kit

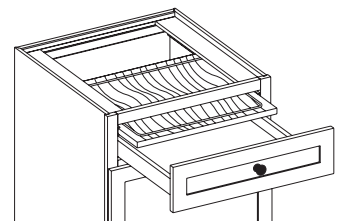


<i>Installed</i>	<i>knife slots</i>
<b>KSCC15</b>	9
<b>KSCC18</b>	12
<b>KSCC21</b>	15
<b>KSCC24</b>	18
<i>Kit</i>	<i>knife slots</i>
<b>KSCCK15</b>	9
<b>KSCCK18</b>	12
<b>KSCCK21</b>	15
<b>KSCCK24</b>	18

- 2 1/4" high drawer box with cutting board installed above
- Remove cutting board for use
- Has removable knife section installed in drawer

APC	CW
MI	RD

### Chopping Block or Kit

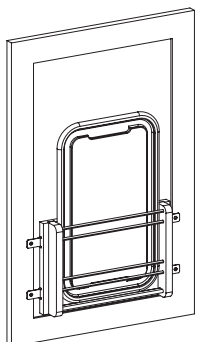


<i>Installed</i>
<b>CHB18</b>
<b>CHB21</b>
<b>CHB24</b>
<i>Kit</i>
<b>CHBK18</b>
<b>CHBK21</b>
<b>CHBK24</b>

- 2 1/4" high drawer box with 1 1/4" thick solid wood block installed above drawer box
- Remove chopping block before use
- Unable to be installed in one side of a double drawer (side by side) cabinet

APC	CW
MI	RD

### Cutting Board Door Rack Kit

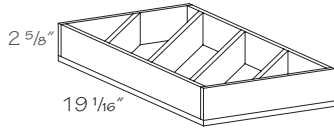


<b>CBDMK18</b>	Fits 18" doors - 9 3/4" x 15 3/4" cutting board
<b>CBDMK21</b>	Fits 21" doors - 13 3/4" x 15 3/4" cutting board
<b>CBDMK24</b>	Fits 24" doors - 13 3/4" x 15 3/4" cutting board

- Lightweight, high density polyethylene
- Able to be cleaned thoroughly, eliminating bacteria and odor
- Approved by FDA (Food and Drug Administration) ITEM 2.1 REG. #1CRF177.1520
- Approved by the National Sanitation Foundation No. 721
- Unable to be used with full-depth shelves or Roll-out Trays
- Dishwasher safe up to 180° F
- Manufactured with high capacity juice grooves
- Non-abrasive; reduces the dulling of cutting blades
- Solid maple caddy with mounting sockets and screws

APC	CW
MI	RD

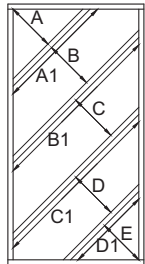
## Utensil Drawer Organizer - Angled - Field Install Kit



**CDAK12**  
**CDAK15**  
**CDAK18**  
**CDAK24**

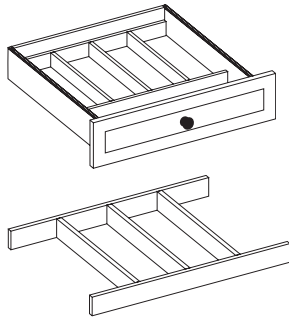
- For 24" deep cabinets only
- 3/8" thick solid wood dividers
- Unit is 2 9/16" high

APC	CW
MI	RD



Opening and Length Dimensions									
	A	A1	B	B1	C	C1	D	D1	E
<b>CDAK12</b>	3 3/16"	7 3/16"	3 3/16"	8 13/16"	3 3/16"	8 13/16"	3 3/16"	6 1/8"	3 1/16"
<b>CDAK15</b>	3 9/16"	7 15/16"	3 5/8"	13 1/16"	3 5/8"	13 1/16"	3 5/8"	7 3/16"	3 9/16"
<b>CDAK18</b>	4"	8 3/4"	3 11/16"	16 15/16"	4 11/16"	16 3/16"	3 11/16"	8"	4"
<b>CDAK24</b>	4 7/8"	10 1/2"	4 7/8"	21"	4 7/8"	20 1/4"	4 7/8"	9 3/4"	4 7/8"

## Cutlery Divider or Kit



*Installed*

**CD12**  
**CD15**  
**CD18**  
**CD21**  
**CD24**  
**CD27**  
**CD30**  
**CD33**  
**CD36**

*Kit*

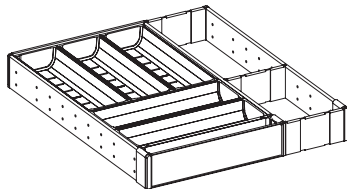
**CDK12** 2 sections  
**CDK15** 3 sections  
**CDK18** 3 sections  
**CDK21** 4 sections  
**CDK24** 4 sections  
**CDK27** 5 sections  
**CDK30** 5 sections  
**CDK33** 6 sections  
**CDK36** 7 sections

- 1/2" thick solid wood dividers 1 3/4" high
- Each section is 13" deep and approximately 3 7/8" wide

APC	CW
MI	RD

## Stainless Cutlery Divider

**SCDK**



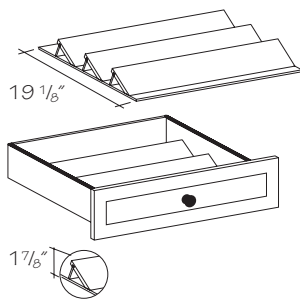
- Adjustable, spring-loaded side rails
- Five removable stainless steel trays
- Fits standard drawers in cabinets 21"-27" wide and 24" deep
- Field install

APC	CW
MI	RD



Please install Decorative Hardware prior to installing a Stainless Cutlery Divider

## Spice Drawer Insert or Kit



*Installed*

**SDI12**  
**SDI15**  
**SDI18**  
**SDI21**  
**SDI24**  
**SDI27**  
**SDI30**  
**SDI33**  
**SDI36**

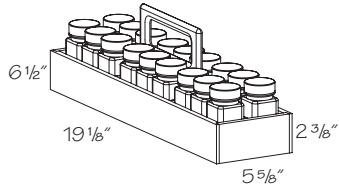
*Kit*

**SDIK12**  
**SDIK15**  
**SDIK18**  
**SDIK21**  
**SDIK24**  
**SDIK27**  
**SDIK30**  
**SDIK33**  
**SDIK36**

- Solid wood insert holds spice containers at an angle for easy identification and removal

APC	CW
MI	RD

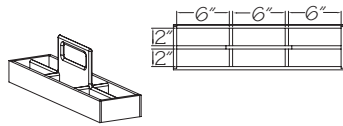
### Spice Caddy



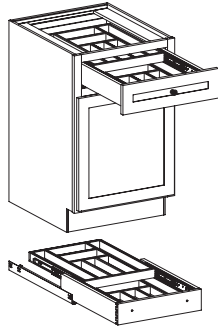
With Bottles  
**SPCD .B**  
Without Bottles  
**SPCD**

- Supplied with 18 spice bottles
- Spice bottles are 4 oz. capacity, clear glass
- Satin metal lids
- Use SPBTL for replacement spice bottles

APC	CW
MI	RD



### Wood Tiered Drawer Storage or Kit

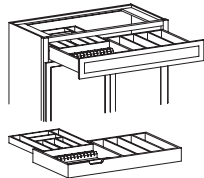


Installed	Upper/Lower Sections
<b>WTCD15</b>	5/5
<b>WTCD18</b>	6/6
<b>WTCD21</b>	7/7
<b>WTCD24</b>	8/8
<b>WTCD27</b>	8/8
<b>WTCD30</b>	9/9
<i>Kit</i>	
<b>WTCDK15</b>	5/5
<b>WTCDK18</b>	6/6
<b>WTCDK21</b>	7/7
<b>WTCDK24</b>	8/8
<b>WTCDK27</b>	8/8
<b>WTCDK30</b>	9/9

- Sliding top tray
- Available factory installed for 24" deep cabinets only

APC	CW
MI	RD

### Wood Tiered Drawer Storage Combination or Kit

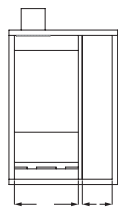
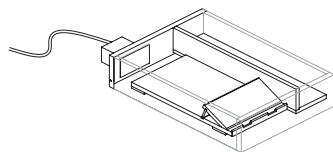


<i>Installed</i>	
<b>WTDC30</b>	
<b>WTDC36</b>	
<i>Kit</i>	
<b>WTDCCK30</b>	
<b>WTDCCK36</b>	

- WTDC30 or WTDCCK30: Lower left tiered section - 12-knife organizer, two storage compartments; upper left tiered section - four divided storage compartments, one long storage compartment; right section - three long storage compartments
- WTDC36 or WTDCCK36: Lower left tiered section - 15-knife organizer, two storage compartments; upper left tiered section - five divided storage compartments, one long storage compartment; right section (**not** tiered) - four long storage compartments
- Available for 24" deep cabinets only

APC	CW
MI	RD

### Charging Drawer



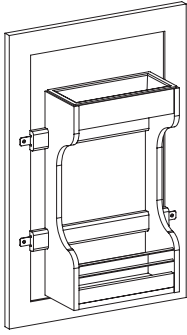
8 1/2" 4"  
11 1/2"  
14 1/2"

<i>Installed*</i>	
<b>CGD18</b>	
<b>CGD21</b>	
<b>CGD24</b>	
<i>Kit</i>	
<i>18" Cabinet</i>	
<b>RBKCGD18</b>	(drawer box)
<b>CGD18.DI</b>	(drawer insert)
<b>CGD.OL</b>	(outlet)
<i>21" Cabinet</i>	
<b>RBKCGD21</b>	(drawer box)
<b>CGD21.DI</b>	(drawer insert)
<b>CGD.OL</b>	(outlet)
<i>24" Cabinet</i>	
<b>RBKCGD24</b>	(drawer box)
<b>CGD24.DI</b>	(drawer insert)
<b>CGD.OL</b>	(outlet)

- Solid wood drawer box
- (1) three-prong and (2) USB outlets; cord length for outlet is 6 ft.
- Drawer box prepared for Outlet-Insert
- Requires separate power source in the back of the cabinet
- Installed: Outlet and drawer inserts shipped separately\*
- Kits: Order one of each item to complete kit; each component ships separately

APC	CW
MI	RD

### Sink Base Door Storage Unit or Kit



Installed

**SBDSU30 R or L**  
**SBDSU33 R or L**  
**SBDSU36 R or L** also fits SB18  
**SBDSU39 R or L**  
**SBDSU42 R or L** also fits SB21

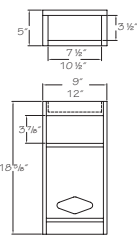
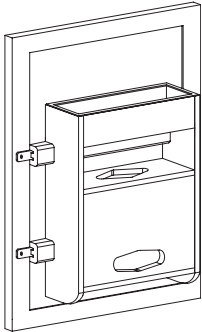
Kit

**SBDSUK30**  
**SBDSUK33**  
**SBDSUK36** also fits SB18  
**SBDSUK39**  
**SBDSUK42** also fits SB21

- Specify R or L
- Solid wood
- Two fixed shelves, 4" deep
- Kit includes all mounting hardware
- Rack is 5" deep

APC	CW
MI	RD

### Sink Base Plastic Bag Door Storage Unit or Kit



Installed

**SBPBS30 R or L**  
**SBPBS33 R or L**  
**SBPBS36 R or L** also fits SB18  
**SBPBS39 R or L**

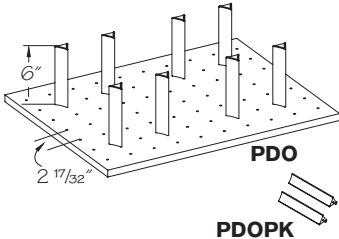
Kit

**SBPBSK30**  
**SBPBSK33**  
**SBPBSK36** also fits SB18  
**SBPBSK39**

- Specify R or L
- Solid wood and plywood construction
- Kit includes all mounting hardware
- Rack is 5" deep
- Removable, almond plastic tray lines upper shelf
- Bag storage box features two openings to insert and remove plastic bags

APC	CW
MI	RD

### Pegged Drawer Organizer



Kit

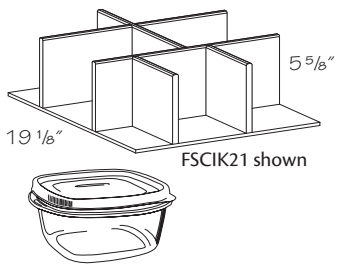
**PDO24** Six pegs  
**PDO27** Six pegs  
**PDO30** Eight pegs  
**PDO33** Eight pegs  
**PDO36** Ten pegs  
**PDO42** Ten pegs  
**PDOPK** Two pegs

Pack-Additional pegs

- 3/4" natural Birch plywood floor
- Sized to fit 24" deep drawers
- Fits 7" and 11" high drawers on two and three drawer stack cabinets
- Trimmable
- Shipped separately

APC	CW
MI	RD

### Multi-Sized Deep Drawer Organizer



Organizer w/

Food Storage

**FSCI18**

**FSCI21**

Deep Drawer

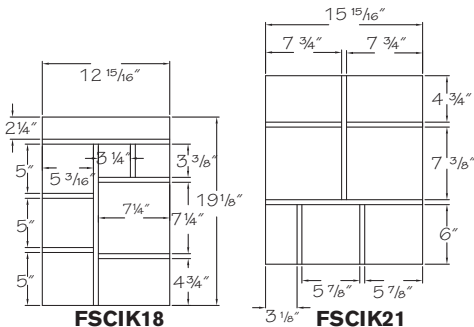
Organizer

**FSCI18**

**FSCI21**

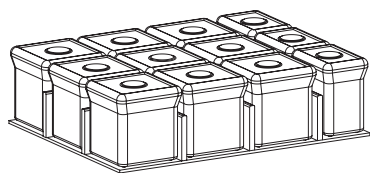
- FSCI18 is for use with 18" wide deep drawer (Example: BD18, BD18.3)
- FSCI21 is for use with 21" wide deep drawer (Example: BD21, BD21.3)
- Containers are *not* covered under limited lifetime warranty

APC	CW
MI	RD

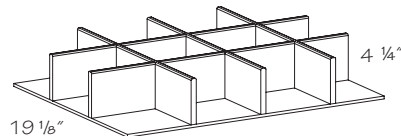


Food Container Size (Includes Lids)		
FSCI18 Qty.	FSCI21 Qty.	Container Cup Size
4	8	1/2
5	7	1 1/4
4	5	2
1	4	3
2	3	5
1	2	7

## Deep Drawer Organizer w/Canister Storage



DCSK30 shown



DCDK30 shown

	A	B	C	D
1				
2				
3				

### Canister Storage

<b>DCSK12</b>	3-0.9 quart containers -6.2 High
<b>DCSK15</b>	6-1.5 quart containers -6.2 High
<b>DCSK18</b>	6-2.4 quart containers -6.2 High
<b>DCSK21</b>	3-2.4 and 6-1.5 quart containers -6.2 High
<b>DCSK24</b>	6-2.4 and 3-1.5 quart containers -6.2 High
<b>DCSK27</b>	6-2.4 and 6-1.5 quart containers -6.2 High
<b>DCSK30</b>	9-2.4 and 3-1.5 quart containers -6.2 High

### Tall Canister Storage

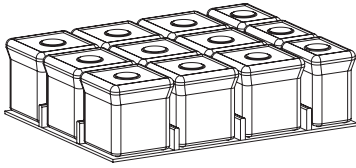
<b>DTCSK12</b>	3-1.5 quart containers -9.3 High
<b>DTCSK15</b>	6-2.5 quart containers -9.3 High
<b>DTCSK18</b>	6-4.0 quart containers -9.3 High
<b>DTCSK21</b>	3-4.0 and 6-2.5 quart containers -9.3 High
<b>DTCSK24</b>	6-4.0 and 3-2.5 quart containers -9.3 High
<b>DTCSK27</b>	6-4.0 and 6-2.5 quart containers -9.3 High
<b>DTCSK30</b>	9-4.0 and 3-2.5 quart containers -9.3 High

- Deep Drawer Organizer w/Canister Storage are designed to fit into 7" high drawer boxes in cabinets that are 12", 15", 18", 21", 24", 27", and 30" wide
- Deep Drawer Organizer w/Tall Canister Storage are designed to fit into 10" high drawer boxes in cabinets that are 12", 15", 18", 21", 24", 27", and 30" wide
- Containers have an air tight seal
- Containers are *not* covered under limited lifetime warranty

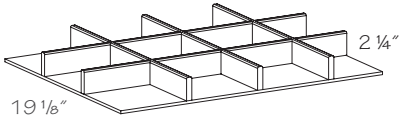
<b>APC</b>	<b>CW</b>
<b>MI</b>	<b>RD</b>

		A	B	C	D
<b>DCSK12/ DTCSK12/ DCDK12</b>	1	6 15/16" x 6 1/16"			
	2	6 15/16" x 6 1/16"			
	3	6 15/16" x 6 1/16"			
		A	B	C	D
<b>DCSK15/ DTCSK15/ DCDK15</b>	1	4 3/4" x 6 1/16"	4 3/4" x 6 1/16"		
	2	4 3/4" x 6 1/16"	4 3/4" x 6 1/16"		
	3	4 3/4" x 6 1/16"	4 3/4" x 6 1/16"		
		A	B	C	D
<b>DCSK18/ DTCSK18/ DCDK18</b>	1	6 1/4" x 6 1/16"	6 1/4" x 6 1/16"		
	2	6 1/4" x 6 1/16"	6 1/4" x 6 1/16"		
	3	6 1/4" x 6 1/16"	6 1/4" x 6 1/16"		
		A	B	C	D
<b>DCSK21/ DTCSK21/ DCDK21</b>	1	4 1/4" x 6 1/16"	4 1/4" x 6 1/16"	6 1/2" x 6 1/16"	
	2	6 1/2" x 6 1/16"	4 1/4" x 6 1/16"	4 1/4" x 6 1/16"	
	3	4 1/4" x 6 1/16"	4 1/4" x 6 1/16"	6 1/2" x 6 1/16"	
		A	B	C	D
<b>DCSK24/ DTCSK24/ DCDK24</b>	1	6" x 6 1/16"	6" x 6 1/16"	6" x 6 1/16"	
	2	6" x 6 1/16"	6" x 6 1/16"	6" x 6 1/16"	
	3	6" x 6 1/16"	6" x 6 1/16"	6" x 6 1/16"	
		A	B	C	D
<b>DCSK27/ DTCSK27/ DCDK27</b>	1	4 1/8" x 6 1/16"	6 1/8" x 6 1/16"	4 1/8" x 6 1/16"	6 1/8" x 6 1/16"
	2	4 1/8" x 6 1/16"	6 1/8" x 6 1/16"	4 1/8" x 6 1/16"	6 1/8" x 6 1/16"
	3	4 1/8" x 6 1/16"	6 1/8" x 6 1/16"	4 1/8" x 6 1/16"	6 1/8" x 6 1/16"
		A	B	C	D
<b>DCSK DCSK30/ DTCSK30/ DCDK30</b>	1	6 1/4" x 6 1/16"	6 1/4" x 6 1/16"	6 1/4" x 6 1/16"	6 1/4" x 6 1/16"
	2	6 1/4" x 6 1/16"	6 1/4" x 6 1/16"	6 1/4" x 6 1/16"	6 1/4" x 6 1/16"
	3	6 1/4" x 6 1/16"	6 1/4" x 6 1/16"	6 1/4" x 6 1/16"	6 1/4" x 6 1/16"

## Roll-Out Tray Organizer w/Canisters



RCSR30 shown



RCDK30 shown

	A	B	C	D
1				
2				
3				

### Canister Storage

<b>RCSR12</b>	3-0.9 quart containers -6.2" High
<b>RCSR15</b>	6-1.5 quart containers -6.2" High
<b>RCSR18</b>	3-2.4 and 3-1.5 quart containers -6.2" High
<b>RCSR21</b>	3-2.4 and 6-1.5 quart containers -6.2" High
<b>RCSR24</b>	6-2.4 and 3-1.5 quart containers -6.2" High
<b>RCSR27</b>	6-2.4 and 6-1.5 quart containers -6.2" High
<b>RCSR30</b>	9-2.4 and 3-1.5 quart containers -6.2" High

### Tall Canister Storage

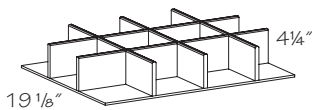
<b>RTCSR12</b>	3-1.5 quart containers -9.3" High
<b>RTCSR15</b>	3-2.5 quart containers -9.3" High
<b>RTCSR18</b>	3-4.0 and 3-2.5 quart containers -9.3" High
<b>RTCSR21</b>	3-4.0 and 6-2.5 quart containers -9.3" High
<b>RTCSR24</b>	6-4.0 and 3-2.5 quart containers -9.3" High
<b>RTCSR27</b>	6-4.0 and 6-2.5 quart containers -9.3" High
<b>RTCSR30</b>	9-4.0 and 9-2.5 quart containers -9.3" High

- Deluxe Rollout Container Storage Kits are designed for Deluxe Rollouts in cabinets that are 12", 15", 18", 21", 24", 27", and 30" wide
- Containers have an air tight seal
- Containers are **not** covered under limited lifetime warranty
- **Note:** Tall Canisters will **not** fit into both trays of Base cabinets with .2DXFWT. Tray height adjustments will be required on these cabinets for Tall Canisters to fit into a single tray

APC	CW
MI	RD

		A	B	C	D
RCSR12/ RTCSR12/ RCDK12	1	6 7/16" x 6 1/16"			
	2	6 7/16" x 6 1/16"			
	3	6 7/16" x 6 1/16"			
		A	B	C	D
RCSR15/ RTCSR15/ RCDK15	1	4 1/2" x 6 1/16"	4 1/2" x 6 1/16"		
	2	4 1/2" x 6 1/16"	4 1/2" x 6 1/16"		
	3	4 1/2" x 6 1/16"	4 1/2" x 6 1/16"		
		A	B	C	D
RCSR18 / RTCSR18/ RCDK18	1	6 7/8" x 6 1/16"	5 1/16" x 6 1/16"		
	2	6 7/8" x 6 1/16"	5 1/16" x 6 1/16"		
	3	6 7/8" x 6 1/16"	5 1/16" x 6 1/16"		
		A	B	C	D
RCSR21 / RTCSR21/ RCDK21	1	4 5/16" x 6 1/16"	5 7/8" x 6 1/16"	4 5/16" x 6 1/16"	
	2	4 5/16" x 6 1/16"	5 7/8" x 6 1/16"	4 5/16" x 6 1/16"	
	3	4 5/16" x 6 1/16"	5 7/8" x 6 1/16"	4 5/16" x 6 1/16"	
		A	B	C	D
RCSR24 / RTCSR24/ RCDK24	1	6 3/8" x 6 1/16"	4 11/16" x 6 1/16"	6 3/8" x 6 1/16"	
	2	6 3/8" x 6 1/16"	4 11/16" x 6 1/16"	6 3/8" x 6 1/16"	
	3	6 3/8" x 6 1/16"	4 11/16" x 6 1/16"	6 3/8" x 6 1/16"	
		A	B	C	D
RCSR27 / RTCSR27/ RCDK27	1	4" x 6 1/16"	5 15/16" x 6 1/16"	4" x 6 1/16"	5 15/16" x 6 1/16"
	2	4" x 6 1/16"	5 15/16" x 6 1/16"	4" x 6 1/16"	5 15/16" x 6 1/16"
	3	4" x 6 1/16"	5 15/16" x 6 1/16"	4" x 6 1/16"	5 15/16" x 6 1/16"
		A	B	C	D
RCSR30 / RTCSR30/ RCDK30	1	6 3/16" x 6 1/16"	6 3/16" x 6 1/16"	6 3/16" x 6 1/16"	6 3/16" x 6 1/16"
	2	6 3/16" x 6 1/16"	6 3/16" x 6 1/16"	6 3/16" x 6 1/16"	6 3/16" x 6 1/16"
	3	6 3/16" x 6 1/16"	6 3/16" x 6 1/16"	6 3/16" x 6 1/16"	6 3/16" x 6 1/16"

## Deep Drawer Organizer

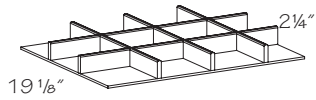


19 1/8"

<b>DCDK12</b>
<b>DCDK15</b>
<b>DCDK18</b>
<b>DCDK21</b>
<b>DCDK24</b>
<b>DCDK27</b>
<b>DCDK30</b>

- Fits 6.2" and 9.3" high containers

APC	CW
MI	RD

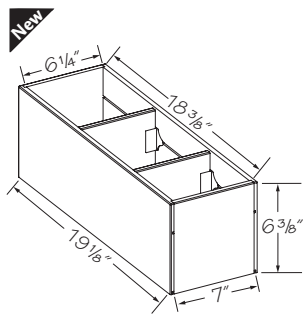


### Roll-Out Tray Organizer

RCDK12  
RCDK15  
RCDK18  
RCDK21  
RCDK24  
RCDK27  
RCDK30

- Fits 6.2" and 9.3" high containers

APC	CW
MI	RD



### Flexible Plasticware Storage Insert

FPSI

*Grey color coding indicates new product, size or code.*

- Fits into 7" and 10" high drawer boxes
- Designed for 24" deep cabinets
- Features two adjustable dividers
- Interior width is 6 1/4"
- 3/8" solid wood construction
- Field install
- 12", 15", 18" fits one unit
- 21", 24" fits two units
- 27", 30", 33" fits three units
- 36", 39" fits four units
- 42" fits five units

APC	CW
MI	RD



**New**

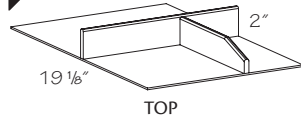
### Tiered Plasticware Storage Insert

**TPSI18**  
**TPSI24**  
**TPSI30**  
**TPSI36**

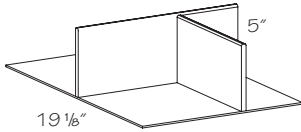
*Grey color coding indicates new product, size or code.*

- Optional drawer inserts for Base Deep Drawer Combination Cabinets (BDDC\_2.TT and BDDC\_2.TBT)
- **TPSI18:** 3 divided sections in each rollout/drawer
- **TPSI24:** 5 divided sections in each rollout/drawer
- **TPSI30:** 7 divided sections in each rollout/drawer
- **TPSI36:** 7 divided sections in each rollout/drawer
- Field install

<b>APC</b>	<b>CW</b>
<b>MI</b>	<b>RD</b>

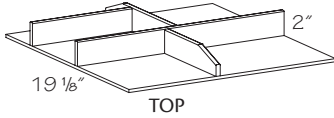


TOP

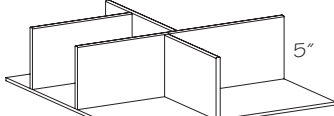


BOTTOM

**TPSI18**

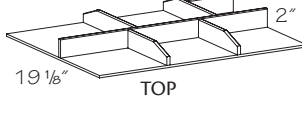


TOP

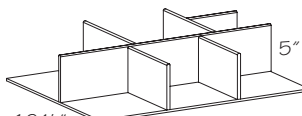


BOTTOM

**TPSI24**

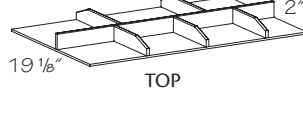


TOP

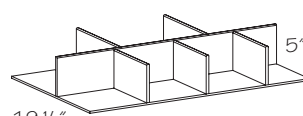


BOTTOM

**TPSI30**

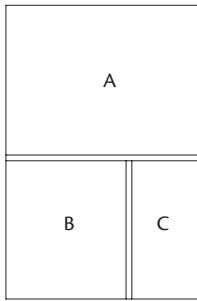


TOP

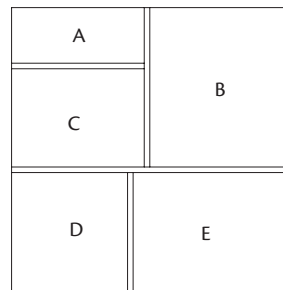


BOTTOM

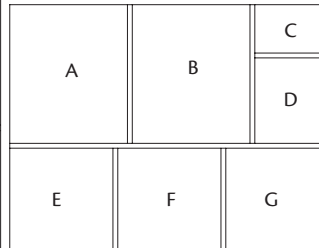
**TPSI36**



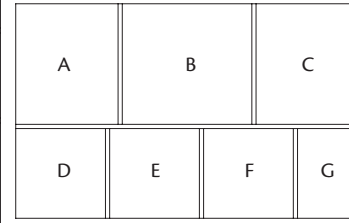
**TPSI18**



**TPSI24**



**TPSI30**



**TPSI36**

<b>TPSI18</b>							
PART	A	B	C				
Top	12 7/16" x 9 3/4"	7 11/16" x 9"	4 3/8" x 9"				
Bottom	12 15/16" x 9 3/4"	8" x 9"	4 9/16" x 9"				

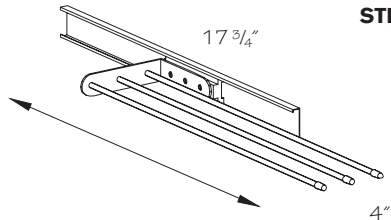
<b>TPSI24</b>							
PART	A	B	C	D	E	F	G
Top	8 15/16" x 3 3/4"	9 1/18" x 10 3/4"	8 15/16" x 6 5/8"	7 5/16" x 8"	10 3/4" x 8"		
Bottom	9 1/8" x 3 3/4"	9 7/16" x 10 3/4"	9 1/8" x 6 5/8"	8" x 8"	10 9/16" x 8"		

<b>TPSI30</b>							
PART	A	B	C	D	E	F	G
Top	8 13/16" x 10 3/4"	9 1/2" x 10 3/4"	5 11/16" x 3 3/4"	5 11/16" x 6 5/8"	7 11/16" x 8"	8" x 8"	8" x 8"
Bottom	9 1/8" x 10 3/4"	11 7/8" x 10 3/4"	9 1/8" x 10 3/4"	8" x 8"	8" x 8"	8" x 8"	5 13/16" x 8"

<b>TPSI36</b>							
PART	A	B	C	D	E	F	G
Top	8 13/16" x 10 3/4"	11 7/8" x 10 3/4"	8 15/16" x 10 3/4"	7 11/16" x 8"	7 11/16" x 8"	7 1/2" x 8"	7 5/8" x 8"
Bottom	9 1/8" x 10 3/4"	11 7/8" x 10 3/4"	9 1/8" x 10 3/4"	8" x 8"	8" x 8"	8" x 8"	5 13/16" x 8"

## Sliding Towel Bar

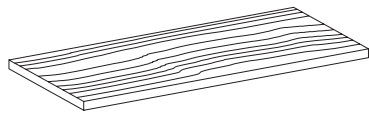
### STB



- Mounts to cabinet end panel
- Pulls-out 8 3/4" for easy access
- Three satin finish chrome towel bars
- Field install

APC	CW
MI	RD

## Replacement Shelving - Base



- 3/4" interior vinyl two sides; 3/4" interior Plywood two sides on Beaded or V-Groove replacement shelving
- Edgebanded one long edge-two edges for peninsula
- Operational End Shelves (.OE) are edgebanded on the front, right and left edges to ensure a finished edge on shelves when the side door is open
- Size fits interior of cabinet listed
- Includes one shelf
- Shelf clips are sold separately; see replacement hardware

### For 18" deep Base

BS1218  
BS1518  
BS1818  
BS2118  
BS2418  
BS2718  
BS3018  
BS3318  
BS3618

### For 21" deep Base

BS1221  
BS1521  
BS1821  
BS2121  
BS2421  
BS2721  
BS3021  
BS3321  
BS3621

### For 24" deep Base

○ BS924  
BS1224  
BS1524  
BS1824  
BS2124  
BS2424  
BS2724  
BS3024  
BS3324  
BS3624  
BS3924  
BS4224  
BS4524  
BS4824

### For 24" deep Peninsula Base

PBS1224  
PBS1524  
PBS1824  
PBS2124  
PBS2424  
PBS2724  
PBS3024  
PBS3324  
PBS3624  
PBS3924  
PBS4224  
PBS4524  
PBS4824  
BS5124  
BS5424  
BS5724  
BS6024

### For 33" wide Utility Cleaning Cabinet

BS1624

### For Range Base

BS2427  
BS2727  
BS3027  
BS3327  
BS3627  
BS3927  
BS4227  
BS4527  
BS4827

### For Base Corner Angle

★○ BCAS2424

### For Peninsula Base Angle

○ PBAS36

### For Base End Corner

○ BECS2424

### For Base End Angle

○ BEAS1224

### For Easy Reach

○ BEZRS33  
○ BEZRS36  
○ EZRS3633

### For Peninsula Easy Reach

○ PEZRS33  
○ PEZRS36

### For Lazy Susan Angle

○ LSAS36

### For Base Multi-Storage Pantry

○ MSPBS36

### For Base with Beaded or V-Groove backs

BS1218 .RDBO  
BS1221 .RDBO  
BS1518 .RDBO  
BS1521 .RDBO  
BS1818 .RDBO  
BS1821 .RDBO  
BS1824 .RDBO  
BS2118 .RDBO  
BS2121 .RDBO  
BS2124 .RDBO  
BS2418 .RDBO  
BS2421 .RDBO  
BS2424 .RDBO  
BS2718 .RDBO  
BS2721 .RDBO  
BS2724 .RDBO  
BS3018 .RDBO  
BS3021 .RDBO  
BS3024 .RDBO  
BS3318 .RDBO  
BS3321 .RDBO  
BS3324 .RDBO  
BS3618 .RDBO  
BS3621 .RDBO  
BS3624 .RDBO

### For 135° Base Inside Angle Corner Cabinet

+ BIACS21

### For 135° Base Outside Angle Corner Cabinet

+ BOACS6

### For Operational End Option

○ BS912 .OE  
○ BS918 .OE  
○ BS921 .OE  
○ BS924 .OE  
BS1212 .OE  
BS1218 .OE  
BS1221 .OE  
BS1224 .OE  
BS1512 .OE  
BS1518 .OE  
BS1521 .OE  
BS1524 .OE  
BS1812 .OE  
BS1818 .OE  
BS1821 .OE  
BS1824 .OE  
BS2112 .OE  
BS2118 .OE  
BS2121 .OE  
BS2124 .OE  
BS2412 .OE  
BS2418 .OE  
BS2421 .OE  
BS2424 .OE  
BS2712 .OE  
BS2718 .OE  
BS2721 .OE  
BS2724 .OE  
BS3012 .OE  
BS3018 .OE  
BS3021 .OE  
BS3024 .OE  
BS3312 .OE  
BS3318 .OE  
BS3321 .OE  
BS3324 .OE  
BS3612 .OE  
BS3618 .OE  
BS3621 .OE  
BS3624 .OE  
BS3912 .OE  
BS3924 .OE  
BS4212 .OE  
BS4224 .OE  
BS4512 .OE  
BS4524 .OE  
BS4812 .OE  
BS4824 .OE

### For Integrated Base Spice Shelf

BSIBSS

### For Base Multi-Storage Pantry Swingout

★○■ MSPSWS

### For Base Multi-Storage Pantry Door Storage

★○■ MSPDSS

● APC	☆ CW
● MI	☆ RD

- (CW) option unavailable
- ★ Unavailable in (RD)
- + Unavailable with width or depth options
- Adjustable shelf with wood edging

# Tall Cabinets

## Construction Options and Modifications

PS	18	84	24
code	width	height	depth

- ❖ Included as standard
- Available with an upcharge
- ☆ Available with exceptions
- (Blank) Unavailable

**Note:** Standard tall cabinet box depth is 12" or 24" unless stated otherwise. Add door thickness with bumpers for total depth.

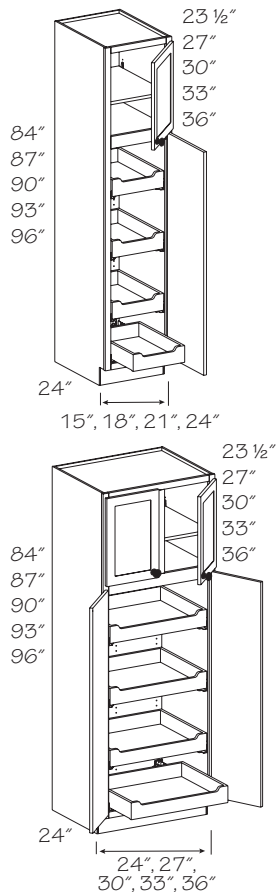
When BUTT is in all capitals, it **must** be included as part of your ordering nomenclature. A (Butt) in parentheses is for your information and isn't required on an order form.

Material dimensions listed may vary slightly from actual dimensions of the product. Specifications subject to change without notice.

**Note:** Remember to remove the white plastic "feet" from the bottom of all tall cabinets before installation. Their sole purpose is to protect the floor after the cabinets are unboxed. Leaving them on will result in uneven installation.

- PE Plywood Ends
- APC All Plywood Construction
- APFC All Plywood Furniture Construction
- FPEB Furniture Plywood Ends
- MI Matching Interior
- DE Integrated Decorative End
- OE Operational End
- AD\_E Attached Decorative End
- CW Change Width
- RD Reduced Depth
- ID Increased Depth
- CH Change Height
- IF Inverted Frame
- TWR Top Wide Rail
- WR Wide Bottom Rail
- XS Extended Stile
- IT Integrated Tall
- GD Glass Doors
- PTKV Prepared for Toe Kick Vent
- RTK Recessed Toe Kick
- VTK Void Toe Kick
- TKD Toe Kick Drawer

### Utility Deluxe Dovetailed Roll-out Tray



- |  |   |
|--|---|
| <p><b>84" High</b><br/>One shelf</p> <ul style="list-style-type: none"> <li>■ U152484 R or L.4DXROT</li> <li>■ U182484 R or L.4DXROT</li> <li>■ U212484 R or L.4DXROT</li> <li>■ U242484 R or L.4DXROT</li> <li>○ U242484 BUTT.4DXROT</li> <li>○ U272484 (Butt).4DXROT</li> <li>○ U302484 BUTT.4DXROT</li> <li>○ U332484 BUTT.4DXROT</li> <li>○ U362484 BUTT.4DXROT</li> </ul> <p><b>87" High</b><br/>One shelf</p> <ul style="list-style-type: none"> <li>■ U152487 R or L.4DXROT</li> <li>■ U182487 R or L.4DXROT</li> <li>■ U212487 R or L.4DXROT</li> <li>■ U242487 R or L.4DXROT</li> <li>○ U242487 BUTT.4DXROT</li> <li>○ U272487 (Butt).4DXROT</li> <li>○ U302487 BUTT.4DXROT</li> <li>○ U332487 BUTT.4DXROT</li> <li>○ U362487 BUTT.4DXROT</li> </ul> <p><b>90" High</b><br/>Two shelves</p> <ul style="list-style-type: none"> <li>■ U152490 R or L.4DXROT</li> <li>■ U182490 R or L.4DXROT</li> <li>■ U212490 R or L.4DXROT</li> <li>■ U242490 R or L.4DXROT</li> <li>○ U242490 BUTT.4DXROT</li> <li>○ U272490 (Butt).4DXROT</li> <li>○ U302490 BUTT.4DXROT</li> <li>○ U332490 BUTT.4DXROT</li> <li>○ U362490 BUTT.4DXROT</li> </ul> | <p><b>93" High</b><br/>Two shelves</p> <ul style="list-style-type: none"> <li>■ U152493 R or L.4DXROT</li> <li>■ U182493 R or L.4DXROT</li> <li>■ U212493 R or L.4DXROT</li> <li>■ U242493 R or L.4DXROT</li> <li>○ U242493 BUTT.4DXROT</li> <li>○ U272493 (Butt).4DXROT</li> <li>○ U302493 BUTT.4DXROT</li> <li>○ U332493 BUTT.4DXROT</li> <li>○ U362493 BUTT.4DXROT</li> </ul> <p><b>96" High</b><br/>Three shelves</p> <ul style="list-style-type: none"> <li>■ U152496 R or L.4DXROT</li> <li>■ U182496 R or L.4DXROT</li> <li>■ U212496 R or L.4DXROT</li> <li>■ U242496 R or L.4DXROT</li> <li>○ U242496 BUTT.4DXROT</li> <li>○ U272496 (Butt).4DXROT</li> <li>○ U302496 BUTT.4DXROT</li> <li>○ U332496 BUTT.4DXROT</li> <li>○ U362496 BUTT.4DXROT</li> </ul> |
|--|---|
- Available with (IT) option  
○ (CW) option unavailable

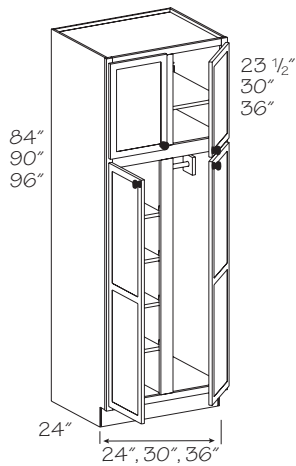
- Specify R or L for single door hinging
- Includes adjustable shelves in upper section
- Four adjustable Roll-out Trays included in lower section
- No center rail on tall door for Mitered, Slab, Wood-Grain Foil and Raised Panel Thermofoil door styles or doors with glass inserts
- Roll-out Trays are 4" deep, 5/8" solid wood dovetailed sides with 3/16" plywood bottom, notched front and full extension runners with integrated buffer
- Roll-out Trays shipped separately on 27"-36" wide units
- ☆ (RD) available in 18" and 21" depths only
- ☆ (TKD), (VTK), (WR), (RTK) and (PTKV) unavailable on 93" & 96" high cabinets
- Toe kick is shipped separately on 93" & 96" high cabinets
- ☆ (RD) option is unavailable for cabinets wider than 24"
- ☆ Available with (CTR); unavailable with (TWR)
- ☆ Max. (ID) is 27"; Deluxe Roll-out Trays remain nominally 24" deep
- ☆ Glass on top and bottom on select (GD) designs only

- PE
- APC
- APFC
- FPEB
- MI
- DE
- OE
- AD\_E
- ☆ CW
- ☆ RD
- ☆ ID
- CH
- IF
- ☆ TWR
- ☆ WR
- XS
- ☆ IT
- ☆ GD
- ☆ PTKV
- ☆ RTK
- ☆ VTK
- ☆ TKD



Remember to order a 3/16" skin (WSK) for the exposed ends of 93" & 96" high cabinets to conceal the seam between the loose toe kick and the cabinet.

Utility Combination - Shelves Left

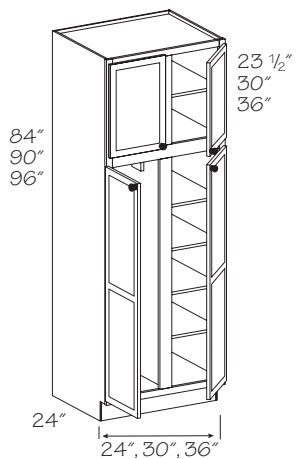


- 84" High  
One shelf  
\* **UC242484 BUTT.SL**  
**UC302484 .SL**  
**UC362484 .SL**
  - 90" High  
Two shelves  
\* **UC242490 BUTT.SL**  
**UC302490 .SL**  
**UC362490 .SL**
  - 96" High  
Three shelves  
\* **UC242496 BUTT.SL**  
**UC302496 .SL**  
**UC362496 .SL**
- \* Roll-out Trays are unavailable

- Four adjustable shelves and one closet rod included
- Includes adjustable shelves in upper section
- No center rail on tall door for Mitered, Slab, Wood-Grain Foil and Raised Panel Thermofoil door styles or doors with glass inserts
- Toe kick is shipped separately on 96" high cabinets
- ☆ Available with (CTR); unavailable with (TWR)
- ☆ (TKD), (WR), (RTK), (PTKV), and (VTK) options are unavailable 96" high cabinets
- ☆ Max. (ID) is 27"
- ☆ (CH) modifications will be made in the upper door section
- ☆ Glass on top and bottom on select (GD) designs only

- PE
- APC
- APFC
- FPFB
- MI
- DE
- OE
- AD\_E
- CW
- RD
- ☆ ID
- ☆ CH
- ☆ IF
- ☆ TWR
- ☆ WR
- ☆ XS
- ☆ IT
- ☆ GD
- ☆ PTKV
- ☆ RTK
- ☆ VTK
- ☆ TKD

Utility Combination



- 84" High  
One shelf  
\* **UC242484 BUTT**  
**UC302484**  
**UC362484**
  - 90" High  
Two shelves  
\* **UC242490 BUTT**  
**UC302490**  
**UC362490**
  - 96" High  
Three shelves  
\* **UC242496 BUTT**  
**UC302496**  
**UC362496**
- \* Roll-out Trays are unavailable

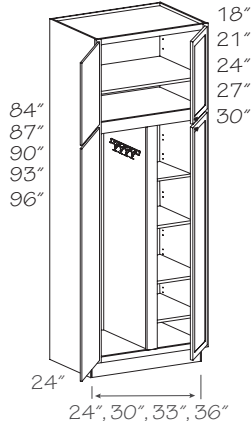
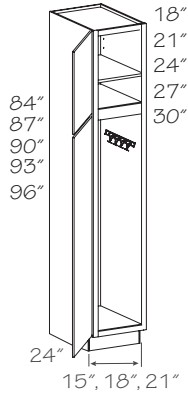
- Four adjustable shelves and one closet rod included
- Includes adjustable shelves in upper section
- No center rail on tall door for Mitered, Slab, Wood-Grain Foil and Raised Panel Thermofoil door styles or doors with glass inserts
- Toe kick is shipped separately on 96" high cabinets
- ☆ (WR), (RTK), (PTKV), and (VTK) options are unavailable 96" high cabinets
- ☆ Available with (CTR); unavailable with (TWR)
- ☆ Max. (ID) is 27"
- ☆ (CH) modifications will be made in the upper door section
- ☆ Glass on top and bottom on select (GD) designs only

- PE
- APC
- APFC
- FPFB
- MI
- DE
- OE
- AD\_E
- CW
- RD
- ☆ ID
- ☆ CH
- ☆ IF
- ☆ TWR
- ☆ WR
- XS
- ☆ IT
- ☆ GD
- ☆ PTKV
- ☆ RTK
- ☆ VTK
- ☆ TKD



Remember to order a 3/16" skin (WSK) for the exposed ends of 93" & 96" high cabinets to conceal the seam between the loose toe kick and the cabinet.

## Utility Cleaning Cabinet 24" Deep



- 84" High  
No shelf
- +\*  UCC152484 R or L
  - +\*  UCC182484 R or L
  - +\*  UCC212484 R or L
  - UCC242484 BUTT
  - UCC302484 BUTT
  - UCC332484 BUTT
  - UCC362484 BUTT

- 87" High  
One shelf
- +\*  UCC152487 R or L
  - +\*  UCC182487 R or L
  - +\*  UCC212487 R or L
  - UCC242487 BUTT
  - UCC302487 BUTT
  - UCC332487 BUTT
  - UCC362487 BUTT

- 90" High  
One shelf
- +\*  UCC152490 R or L
  - +\*  UCC182490 R or L
  - +\*  UCC212490 R or L
  - UCC242490 BUTT
  - UCC302490 BUTT
  - UCC332490 BUTT
  - UCC362490 BUTT

- \* (OE) available on the hinge side of the cabinet only
- + (DE) available on the hinge side of the cabinet only
- (CW) option unavailable

- 93" High  
Two shelves
- +\*  UCC152493 R or L
  - +\*  UCC182493 R or L
  - +\*  UCC212493 R or L
  - UCC242493 BUTT
  - UCC302493 BUTT
  - UCC332493 BUTT
  - UCC362493 BUTT

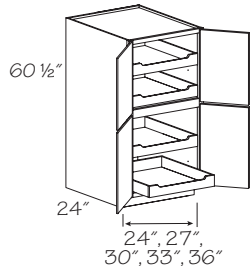
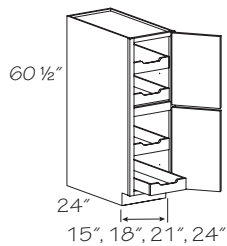
- 96" High  
Two shelves
- +\*  UCC152496 R or L
  - +\*  UCC182496 R or L
  - +\*  UCC212496 R or L
  - UCC242496 BUTT
  - UCC302496 BUTT
  - UCC332496 BUTT
  - UCC362496 BUTT

Broom Hook Replacement  
**BMHK**

- Specify R or L for single door hinging
- Includes adjustable shelves in upper section
- ☆ (CH) modifications will be made in the upper section
- No center rail on tall door for Mitered, Slab, Wood-Grain Foil and Raised Panel Thermofoil door styles or doors with glass inserts
- Single door cabinets: Broom hooks supplied on the end panel opposite the hinged side
- Double door cabinets: Broom hooks supplied on the center divider. Shelves right side, broom hooks left side
- Shelves shipped with cabinet
- Deluxe Rollout Trays available as field installed for double door cabinets (right side only) except for 33" wide unit
- ☆ (TKD), (VTK), (WR), (RTK) and (PTKV) unavailable on 93" & 96" high cabinets
- Toe kick is shipped separately on 93" & 96" high cabinets
- ☆ Max. (ID) is 27"
- ☆ Min. (RD) is 21"
- Broom Hook (BHMK) also sold individually
- Unavailable in Hailey door styles

- PE
- APC
- APFC
- FPFB
- MI
- ☆ DE
- ☆ OE
- AD\_E
- ☆ CW
- ☆ RD
- ☆ ID
- ☆ CH
- IF
- TWR
- ☆ WR
- XS
- IT
- GD
- PTKV
- ☆ RTK
- ☆ VTK
- ☆ TKD

## Utility Stack 60 1/2" High Deluxe Dovetailed Roll-out Tray



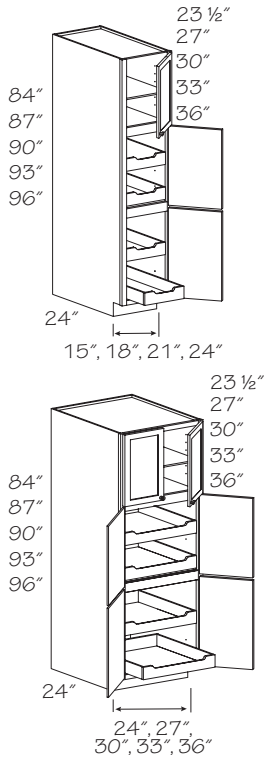
- UST152460 R or L.4DXROT
- UST182460 R or L.4DXROT
- UST12460 R or L.4DXROT
- UST242460 R or L.4DXROT
- UST242460 BUTT.4DXROT
- ▲ UST272460 (Butt).4DXROT
- ▲ UST302460 BUTT.4DXROT
- ▲ UST332460 BUTT.4DXROT
- ▲ UST362460 BUTT.4DXROT

- (CW) option unavailable
- ▲ (RD) is unavailable

- Specify R or L for single door hinging
- Four Deluxe Roll-out Trays; two in bottom and two in the center section
- Deluxe Dovetailed Roll-out Trays are 4" deep, 5/8" solid wood dovetailed sides with 3/16" plywood bottom, notched front and full extension runners with integrated buffer
- Roll-out Trays shipped separately on 27"-36" wide units
- ☆ Max. (ID) is 27"; Deluxe Roll-out Trays remain nominally 24" deep

- PE
- APC
- APFC
- FPFB
- MI
- DE
- OE
- AD\_E
- ☆ CW
- ☆ RD
- ☆ ID
- CH
- IF
- TWR
- WR
- XS
- IT
- GD
- PTKV
- RTK
- VTK
- TKD

## Utility Stack 84"-96" High Deluxe Dovetailed Roll-out Tray



### 84" High

#### One shelf

- + **UST152484 R or L.4DXROT**
- UST182484 R or L.4DXROT**
- UST212484 R or L.4DXROT**
- UST242484 R or L.4DXROT**
- **UST242484 BUTT.4DXROT**
- ▲ **UST272484 (Butt).4DXROT**
- ▲ **UST302484 BUTT.4DXROT**
- ▲ **UST332484 BUTT.4DXROT**
- ▲ **UST362484 BUTT.4DXROT**

### 87" High

#### One shelf

- + **UST152487 R or L.4DXROT**
- UST182487 R or L.4DXROT**
- UST212487 R or L.4DXROT**
- UST242487 R or L.4DXROT**
- **UST242487 BUTT.4DXROT**
- ▲ **UST272487 (Butt).4DXROT**
- ▲ **UST302487 BUTT.4DXROT**
- ▲ **UST332487 BUTT.4DXROT**
- ▲ **UST362487 BUTT.4DXROT**

### 90" High

#### Two shelves

- + **UST152490 R or L.4DXROT**
- UST182490 R or L.4DXROT**
- UST212490 R or L.4DXROT**
- UST242490 R or L.4DXROT**
- **UST242490 BUTT.4DXROT**
- ▲ **UST272490 (Butt).4DXROT**
- ▲ **UST302490 BUTT.4DXROT**
- ▲ **UST332490 BUTT.4DXROT**
- ▲ **UST362490 BUTT.4DXROT**

- + Unavailable with (IT) option
- (CW) option unavailable
- ▲ (RD) is unavailable

### 93" High

#### Two shelves

- + **UST152493 R or L.4DXROT**
- UST182493 R or L.4DXROT**
- UST212493 R or L.4DXROT**
- UST242493 R or L.4DXROT**
- **UST242493 BUTT.4DXROT**
- ▲ **UST272493 (Butt).4DXROT**
- ▲ **UST302493 BUTT.4DXROT**
- ▲ **UST332493 BUTT.4DXROT**
- ▲ **UST362493 BUTT.4DXROT**

### 96" High

#### Three shelves

- + **UST152496 R or L.4DXROT**
- UST182496 R or L.4DXROT**
- UST212496 R or L.4DXROT**
- UST242496 R or L.4DXROT**
- **UST242496 BUTT.4DXROT**
- ▲ **UST272496 (Butt).4DXROT**
- ▲ **UST302496 BUTT.4DXROT**
- ▲ **UST332496 BUTT.4DXROT**
- ▲ **UST362496 BUTT.4DXROT**

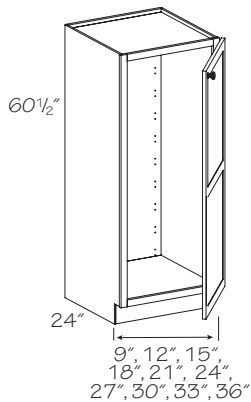
- Specify R or L for single door hinging
- Includes adjustable shelves in upper section
- Deluxe Dovetailed Roll-out Trays are 4" deep, 5/8" solid wood dovetailed sides with 3/16" plywood bottom, notched front and full extension runners with integrated buffer
- Four Deluxe Roll-out Trays; two in bottom and two in the center section
- Roll-out Trays shipped separately on 27"-36" wide units
- Factory installed Roll-out Trays will be installed in the bottom section up to the max. number allowed, any remaining trays will be installed in the center section
- Factory installed Roll-out Trays are unavailable on Utility Cabinets wider than 24"
- ☆ (TKD), (WR), (RTK) and (PTKV) unavailable on 93" & 96" high cabinets
- Toe kick is shipped separately on 93" & 96" high cabinets
- ☆ (CH) modifications will be made in the upper section
- ☆ Glass doors available for top section only
- ☆ Max. (ID) is 27"; Deluxe Roll-out Trays remain nominally 24" deep



Remember to order a 3/16" skin (WSK) for the exposed ends of 93" & 96" high cabinets to conceal the seam between the loose toe kick and the cabinet.

- PE
- APC
- APFC
- FPFB
- MI
- DE
- OE
- AD\_E
- ☆ CW
- ☆ RD
- ☆ ID
- ☆ CH
- ☆ IF
- ☆ TWR
- ☆ WR
- XS
- ☆ IT
- ☆ GD
- ☆ PTKV
- ☆ RTK
- ☆ VTK
- ☆ TKD

## Utility Cabinets 60 1/2" High 24" Deep



- Single Door*
- +●○◆ **U92460 R or L**
  - ◆ **U122460 R or L**
  - ◆ **U152460 R or L**
  - ◆ **U182460 R or L**
  - ◆ **U212460 R or L**
  - ◆ **U242460 R or L**
- Double Door*
- **U242460 BUTT**
  - **U272460 (Butt)**
  - **U302460 BUTT**
  - **U332460 BUTT**
  - **U362460 BUTT**

- \* Veranda doors will have a solid, recessed flat panel
- (CW) option unavailable
- + (TKD) option is unavailable
- Glass door option unavailable
- ◆ (PTKV) option is unavailable

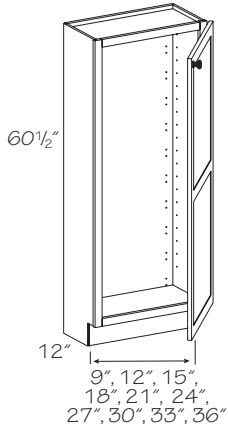
- Specify R or L for single door hinging
- No shelf
- Order Shelf Kit separately
- No center rail on tall door for Mitered, Slab, Wood-Grain Foil and Raised Panel Thermofoil door styles or doors with glass inserts
- All door styles furnished square
- Factory installed Roll-out Trays are unavailable on Utility Cabinets wider than 24"
- ☆ Max. (ID) is 27"



Remember to attach a Mullion Strip Utility Bottom (MSUB) to tall cabinets 30" or wider when planning to field install roll-out trays. This will remove the center stile and replace it with a mullion strip on the left door.

- PE
- APC
- APFC
- FPFB
- MI
- DE
- OE
- AD\_E
- ☆ CW
- ☆ RD
- ☆ ID
- ☆ CH
- ☆ IF
- ☆ TWR
- WR
- XS
- ☆ IT
- ☆ GD
- ☆ PTKV
- RTK
- VTK
- ☆ TKD

## Utility Cabinets 60 1/2" High 12" Deep



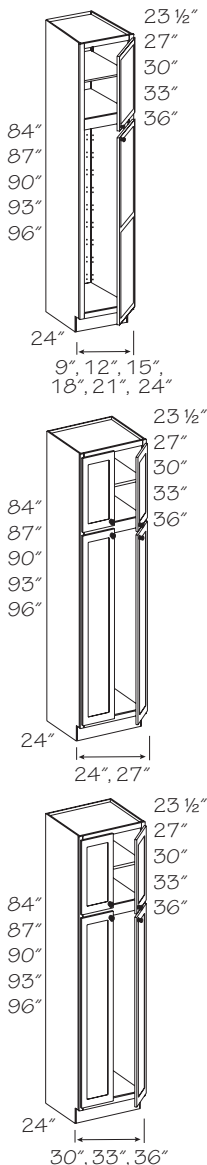
- Single Door*
- \*◻◆ **U91260 R or L**
  - ◆ **U121260 R or L**
  - ◆ **U151260 R or L**
  - ◆ **U181260 R or L**
  - ◆ **U211260 R or L**
  - ◆ **U241260 R or L**
- Double Door*
- ◆ **U241260 BUTT**
  - ◆ **U271260 (Butt)**
  - ◆ **U301260 BUTT**
  - ◆ **U331260 BUTT**
  - ◆ **U361260 BUTT**

- \* Veranda doors will have a solid, recessed flat panel
- (CW) option unavailable
- Glass door option unavailable
- ◆ (PTKV) option is unavailable

- Specify R or L for single door hinging
- No shelf
- Order Shelf Kit separately
- No center rail on tall door for Mitered, Slab, Wood-Grain Foil and Raised Panel Thermofoil door styles or doors with glass inserts
- All door styles furnished square

●	PE
●	APC
●	APFC
●	FPEB
●	MI
●	DE
●	OE
●	AD_E
☆	CW
●	RD
	ID
	CH
	IF
	TWR
●	WR
●	XS
	IT
☆	GD
☆	PTKV
●	RTK
●	VTK
	TKD

## Utility Cabinets 24" Deep



- 84" High*
- One shelf*
- +\*◻▲ **U92484 R or L**
  - ▲ **U122484 R or L**
  - ▲ **U152484 R or L**
  - **U182484 R or L**
  - **U212484 R or L**
  - **U242484 R or L**
  - **U242484 BUTT**
  - **U272484 (Butt)**
  - **U302484 BUTT**
  - **U332484 BUTT**
  - **U362484 BUTT**
- 87" High*
- One shelf*
- +\*◻▲ **U92487 R or L**
  - ▲ **U122487 R or L**
  - ▲ **U152487 R or L**
  - **U182487 R or L**
  - **U212487 R or L**
  - **U242487 R or L**
  - **U242487 BUTT**
  - **U272487 (Butt)**
  - **U302487 BUTT**
  - **U332487 BUTT**
  - **U362487 BUTT**
- 90" High*
- Two shelves*
- \*◻▲ **U92490 R or L**
  - ▲ **U122490 R or L**
  - ▲ **U152490 R or L**
  - **U182490 R or L**
  - **U212490 R or L**
  - **U242490 R or L**
  - **U242490 BUTT**
  - **U272490 (Butt)**
  - **U302490 BUTT**
  - **U332490 BUTT**
  - **U362490 BUTT**
- 93" High*
- Two shelves*
- \*◻▲ **U92493 R or L**
  - ▲ **U122493 R or L**
  - ▲ **U152493 R or L**
  - **U182493 R or L**
  - **U212493 R or L**
  - **U242493 R or L**
  - **U242493 BUTT**
  - **U272493 (Butt)**
  - **U302493 BUTT**
  - **U332493 BUTT**
  - **U362493 BUTT**
- 96" High*
- Three shelves*
- \*◻▲ **U92496 R or L**
  - ▲ **U122496 R or L**
  - ▲ **U152496 R or L**
  - **U182496 R or L**
  - **U212496 R or L**
  - **U242496 R or L**
  - **U242496 BUTT**
  - **U272496 (Butt)**
  - **U302496 BUTT**
  - **U332496 BUTT**
  - **U362496 BUTT**

- \* Doors are square except full overlay arch door styles. Thermofoil door styles will always be square. Veranda doors will have a solid, recessed flat panel
- (CW) option unavailable
- ▲ Glass door option unavailable
- + (TKD) option is unavailable
- Available with (IT) option

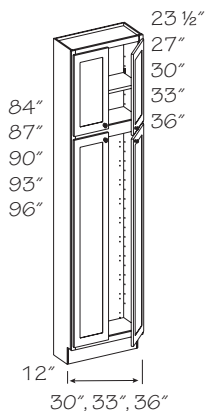
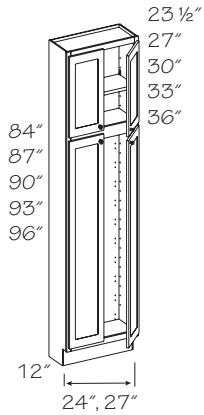
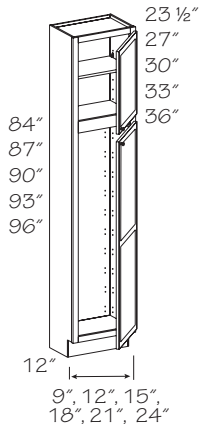
- Specify R or L for single door hinging
- Includes adjustable shelves in upper section
- No center rail on tall door for Mitered, Slab, Wood-Grain Foil and Raised Panel Thermofoil door styles or doors with glass inserts
- Factory installed Roll-out Trays are unavailable on Utility Cabinets wider than 24"
- ☆ When (IF) is chosen in arched door styles, U18, U24, and U24BUTT cabinets will have arched doors. All other cabinet sizes will be supplied with square doors
- ☆ Available with (CTR); unavailable with (TWR)
- ☆ (VTK), (TKD), (WR), and (RTK) options are unavailable on 93" and 96" high cabinets
- ☆ (PTKV) is unavailable on cabinets less than 15" wide or 93" and 96" high cabinets
- Toe kick is shipped separately on 93" & 96" high cabinets
- ☆ Max. (ID) is 27"
- ☆ Glass on top and bottom on select (GD) designs only
- **Note:** Order Shelf Kit for lower section separately



Remember to order a 3/16" skin (WSK) for the exposed ends of 93" & 96" high cabinets to conceal the seam between the loose toe kick and the cabinet.

●	PE
●	APC
●	APFC
●	FPEB
●	MI
●	DE
●	OE
●	AD_E
☆	CW
●	RD
☆	ID
☆	CH
☆	IF
☆	TWR
☆	WR
☆	XS
☆	IT
☆	GD
☆	PTKV
☆	RTK
☆	VTK
☆	TKD

## Utility Cabinets 12" Deep



84" High

One shelf

- +\*○ **U91284 R or L**
- U121284 R or L**
- U151284 R or L**
- U181284 R or L**
- U211284 R or L**
- U241284 R or L**
- **U241284 BUTT**
- U271284 (Butt)**
- U301284 BUTT**
- U331284 BUTT**
- U361284 BUTT**

87" High

One shelf

- +\*○ **U91287 R or L**
- U121287 R or L**
- U151287 R or L**
- U181287 R or L**
- U211287 R or L**
- U241287 R or L**
- **U241287 BUTT**
- U271287 (Butt)**
- U301287 BUTT**
- U331287 BUTT**
- U361287 BUTT**

90" High

Two shelves

- +\*○ **U91290 R or L**
- U121290 R or L**
- U151290 R or L**
- U181290 R or L**
- U211290 R or L**
- U241290 R or L**
- **U241290 BUTT**
- U271290 (Butt)**
- U301290 BUTT**
- U331290 BUTT**
- U361290 BUTT**

93" High

Two shelves

- +\*○ **U91293 R or L**
- U121293 R or L**
- U151293 R or L**
- U181293 R or L**
- U211293 R or L**
- U241293 R or L**
- **U241293 BUTT**
- U271293 (Butt)**
- U301293 BUTT**
- U331293 BUTT**
- U361293 BUTT**

96" High

Three shelves

- +\*○ **U91296 R or L**
- U121296 R or L**
- U151296 R or L**
- U181296 R or L**
- U211296 R or L**
- U241296 R or L**
- **U241296 BUTT**
- U271296 (Butt)**
- U301296 BUTT**
- U331296 BUTT**
- U361296 BUTT**

\* Doors are square except full overlay arch door styles. Thermofoil door styles will always be square. Veranda doors will have a solid, recessed flat panel

○ (CW) option unavailable

+ Glass door option unavailable

- Specify R or L for single door hinging
- Includes adjustable shelves in upper section
- No center rail on tall door for Mitered, Slab, Wood-Grain Foil and Raised Panel Thermofoil door styles or doors with glass inserts
- Toe kick is shipped separately on 93" & 96" high cabinets
- ☆ (VTK), (WR) and (RTK) options are unavailable on 93" and 96" high cabinets
- ☆ (PTKV) is unavailable on cabinets less than 15" wide or 93" and 96" high cabinets
- ☆ When (IF) is chosen in arched door styles, U18, U24, and U24BUTT cabinets will have arched doors. All other cabinet sizes will be supplied with square doors
- ☆ Available with (CTR); unavailable with (TWR)
- ☆ Glass on top and bottom on select (GD) designs only
- **Note:** Order Shelf Kit for lower section separately

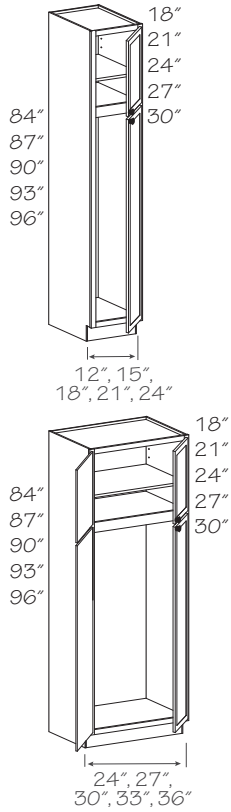


Remember to order a 3/16" skin (WSK) for the exposed ends of 93" & 96" high cabinets to conceal the seam between the loose toe kick and the cabinet.

●	PE
●	APC
●	APFC
●	FPEB
●	MI
●	DE
●	OE
●	AD_E
☆	CW
●	RD
●	ID
●	CH
☆	IF
☆	TWR
☆	WR
☆	XS
●	IT
☆	GD
☆	PTKV
☆	RTK
☆	VTK
☆	TKD



## Utility Extended Bottom 24" Deep



### 84" High

#### No shelf

- + **UEB122484 R or L**
- + **UEB152484 R or L**
- + **UEB182484 R or L**
- + **UEB212484 R or L**
- + **UEB242484 R or L**
- **UEB242484 BUTT**
- **UEB272484 (Butt)**
- **UEB302484 BUTT**
- **UEB332484 BUTT**
- **UEB362484 BUTT**

### 87" High

#### One shelf

- + **UEB122487 R or L**
- + **UEB152487 R or L**
- + **UEB182487 R or L**
- + **UEB212487 R or L**
- + **UEB242487 R or L**
- **UEB242487 BUTT**
- **UEB272487 (Butt)**
- **UEB302487 BUTT**
- **UEB332487 BUTT**
- **UEB362487 BUTT**

### 90" High

#### One shelf

- + **UEB122490 R or L**
- + **UEB152490 R or L**
- + **UEB182490 R or L**
- + **UEB212490 R or L**
- + **UEB242490 R or L**
- **UEB242490 BUTT**
- **UEB272490 (Butt)**
- **UEB302490 BUTT**
- **UEB332490 BUTT**
- **UEB362490 BUTT**

+ Unavailable with (IT) option

○ (CW) option unavailable

### 93" High

#### Two shelves

- + **UEB122493 R or L**
- + **UEB152493 R or L**
- + **UEB182493 R or L**
- + **UEB212493 R or L**
- + **UEB242493 R or L**
- **UEB242493 BUTT**
- **UEB272493 (Butt)**
- **UEB302493 BUTT**
- **UEB332493 BUTT**
- **UEB362493 BUTT**

### 96" High

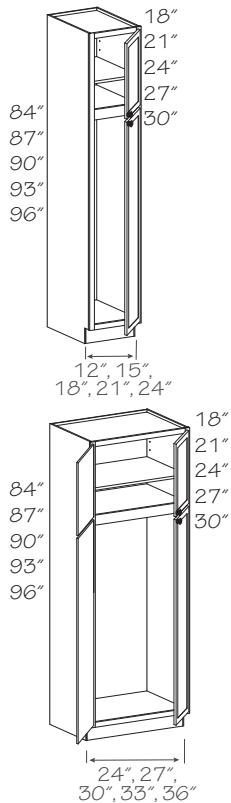
#### Two shelves

- + **UEB122496 R or L**
- + **UEB152496 R or L**
- + **UEB182496 R or L**
- + **UEB212496 R or L**
- + **UEB242496 R or L**
- **UEB242496 BUTT**
- **UEB272496 (Butt)**
- **UEB302496 BUTT**
- **UEB332496 BUTT**
- **UEB362496 BUTT**

- Specify R or L for single door hinging
- ☆ (CH) modifications will be made in the upper section
- Includes adjustable shelves in upper section
- No center rail on tall door for Mitered, Slab, Wood-Grain Foil and Raised Panel Thermofoil door styles or doors with glass inserts
- Deluxe Roll-out Trays available
- ☆ (PTKV) is unavailable on cabinets less than 15" wide or 93" and 96" high cabinets
- ☆ (TKD), (WR) and (RTK) unavailable on 93" & 96" high cabinets
- Toe kick is shipped separately on 93" & 96" high cabinets
- Max. (ID) is 27"
- Unavailable in Hailey door styles
- **Note:** Order Shelf Kit for lower section separately
- **Note:** for 24" Deep Cabinets: Factory Installed Roll-Out Trays are unavailable on Utility Cabinets wider than 24"

- PE
- APC
- APFC
- FPFB
- MI
- DE
- OE
- AD\_E
- ☆ CW
- RD
- ☆ ID
- ☆ CH
- IF
- TWR
- ☆ WR
- XS
- ☆ IT
- GD
- PTKV
- ☆ RTK
- VTK
- ☆ TKD

## Utility Extended Bottom 12" Deep



### 84" High

#### No shelf

- + **UEB121284 R or L**
- + **UEB151284 R or L**
- + **UEB181284 R or L**
- + **UEB211284 R or L**
- + **UEB241284 R or L**
- **UEB241284 BUTT**
- **UEB271284 (Butt)**
- **UEB301284 BUTT**
- **UEB331284 BUTT**
- **UEB361284 BUTT**

### 87" High

#### One shelf

- + **UEB121287 R or L**
- + **UEB151287 R or L**
- + **UEB181287 R or L**
- + **UEB211287 R or L**
- + **UEB241287 R or L**
- **UEB241287 BUTT**
- **UEB271287 (Butt)**
- **UEB301287 BUTT**
- **UEB331287 BUTT**
- **UEB361287 BUTT**

### 90" High

#### One shelf

- + **UEB121290 R or L**
- + **UEB151290 R or L**
- + **UEB181290 R or L**
- + **UEB211290 R or L**
- + **UEB241290 R or L**
- **UEB241290 BUTT**
- **UEB271290 (Butt)**
- **UEB301290 BUTT**
- **UEB331290 BUTT**
- **UEB361290 BUTT**

○ (CW) option unavailable

### 93" High

#### Two shelves

- + **UEB121293 R or L**
- + **UEB151293 R or L**
- + **UEB181293 R or L**
- + **UEB211293 R or L**
- + **UEB241293 R or L**
- **UEB241293 BUTT**
- **UEB271293 (Butt)**
- **UEB301293 BUTT**
- **UEB331293 BUTT**
- **UEB361293 BUTT**

### 96" High

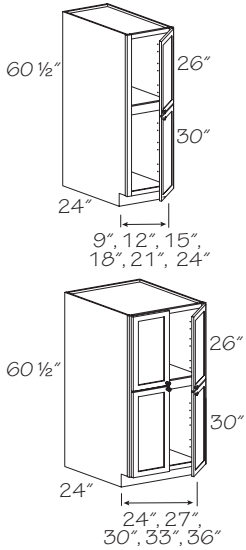
#### Two shelves

- + **UEB121296 R or L**
- + **UEB151296 R or L**
- + **UEB181296 R or L**
- + **UEB211296 R or L**
- + **UEB241296 R or L**
- **UEB241296 BUTT**
- **UEB271296 (Butt)**
- **UEB301296 BUTT**
- **UEB331296 BUTT**
- **UEB361296 BUTT**

- Specify R or L for single door hinging
- ☆ (CH) modifications will be made in the upper section
- Includes adjustable shelves in upper section
- No center rail on tall door for Mitered, Slab, Wood-Grain Foil and Raised Panel Thermofoil door styles or doors with glass inserts
- Deluxe Roll-out Trays available
- ☆ (WR) and (RTK) are unavailable on 93" & 96" high cabinets
- ☆ (PTKV) is unavailable on cabinets less than 15" wide or 93" and 96" high cabinets
- Toe kick is shipped separately on 93" & 96" high cabinets
- Unavailable in Hailey door styles
- **Note:** Order Shelf Kit for lower section separately

- PE
- APC
- APFC
- FPFB
- MI
- DE
- OE
- AD\_E
- ☆ CW
- RD
- ☆ ID
- ☆ CH
- IF
- TWR
- ☆ WR
- XS
- ☆ IT
- GD
- PTKV
- ☆ RTK
- VTK
- TKD

### Utility Stack Cabinets 60 1/2" High 24" Deep



- Single Door*
- ※※○▲◆ **UST92460 R or L**
  - ◆ **UST122460 R or L**
  - ◆ **UST152460 R or L**
  - ◆ **UST182460 R or L**
  - ◆ **UST212460 R or L**
  - ◆ **UST242460 R or L**
- Double Door*
- ◆ **UST242460 BUTT**
  - ◆ **UST272460 (Butt)**
  - ◆ **UST302460 BUTT**
  - ◆ **UST332460 BUTT**
  - ◆ **UST362460 BUTT**

- ※ Veranda doors will have a solid, recessed flat panel
- (CW) option unavailable
- ※ (TKD) option is unavailable
- ▲ Glass door option unavailable
- ◆ (PTKV) option is unavailable

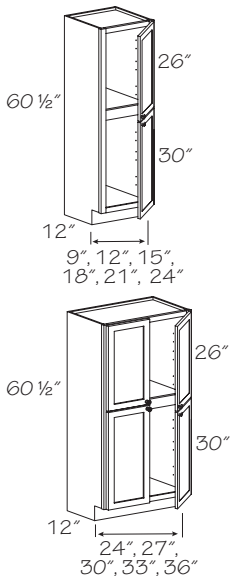
- Specify R or L for single door hinging
- No shelf
- All door styles furnished square
- Factory installed Roll-out Trays are unavailable on Utility Cabinets wider than 24"
- ☆ Max. (ID) is 27"
- ☆ Glass doors available for top doors only
- **Note:** Order Shelf Kits for center and bottom sections separately



Remember to attach a Mullion Strip Utility Bottom (MSUB) to tall cabinets 30" or wider when planning to field install roll-out trays. This will remove the center stile and replace it with a mullion strip on the left door.

- PE
- APC
- APFC
- FPFB
- MI
- DE
- OE
- AD\_E
- ☆ CW
- RD
- ☆ ID
- ☆ CH
- IF
- TWR
- WR
- XS
- IT
- ☆ GD
- ☆ PTKV
- RTK
- VTK
- ☆ TKD

### Utility Stack Cabinets 60 1/2" High 12" Deep



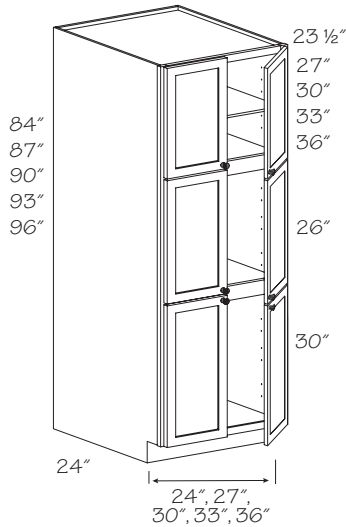
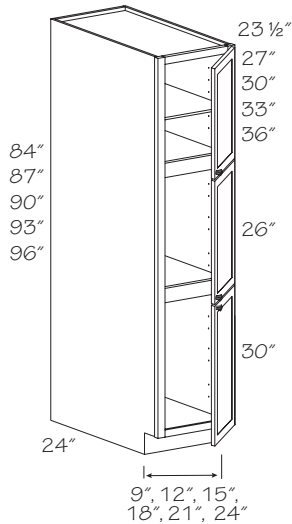
- Single Door*
- ※○▲◆ **UST91260 R or L**
  - ◆ **UST121260 R or L**
  - ◆ **UST151260 R or L**
  - ◆ **UST181260 R or L**
  - ◆ **UST211260 R or L**
  - ◆ **UST241260 R or L**
- Double Door*
- **UST241260 BUTT**
  - **UST271260 (Butt)**
  - **UST301260 BUTT**
  - **UST331260 BUTT**
  - **UST361260 BUTT**

- ※ Veranda doors will have a solid, recessed flat panel
- (CW) option unavailable
- ▲ Glass door option unavailable
- ◆ (PTKV) option is unavailable

- Specify R or L for single door hinging
- No shelf
- All door styles furnished square
- Factory installed Roll-out Trays are unavailable on Utility Cabinets wider than 24"
- ☆ Glass doors available for top doors only
- **Note:** Order Shelf Kits for center and bottom sections separately

- PE
- APC
- APFC
- FPFB
- MI
- DE
- OE
- AD\_E
- ☆ CW
- RD
- ID
- CH
- IF
- TWR
- WR
- XS
- IT
- ☆ GD
- ☆ PTKV
- RTK
- VTK
- TKD

## Utility Stack Cabinets 24" Deep



84" High  
One shelf  
+\*:\***▲** UST92484 R or L  
+ UST122484 R or L  
+ UST152484 R or L  
+ UST182484 R or L  
+ UST212484 R or L  
+ UST242484 R or L  
○ UST242484 BUTT  
UST272484 (Butt)  
UST302484 BUTT  
UST332484 BUTT  
UST362484 BUTT

87" High  
One shelf  
+\*:\***▲** UST92487 R or L  
+ UST122487 R or L  
+ UST152487 R or L  
+ UST182487 R or L  
+ UST212487 R or L  
+ UST242487 R or L  
○ UST242487 BUTT  
UST272487 (Butt)  
UST302487 BUTT  
UST332487 BUTT  
UST362487 BUTT

90" High  
Two shelves  
+\*:\***▲** UST92490 R or L  
+ UST122490 R or L  
+ UST152490 R or L  
+ UST182490 R or L  
+ UST212490 R or L  
+ UST242490 R or L  
○ UST242490 BUTT  
UST272490 (Butt)  
UST302490 BUTT  
UST332490 BUTT  
UST362490 BUTT

93" High  
Two shelves  
+\*:\***▲** UST92493 R or L  
+ UST122493 R or L  
+ UST152493 R or L  
+ UST182493 R or L  
+ UST212493 R or L  
+ UST242493 R or L  
○ UST242493 BUTT  
UST272493 (Butt)  
UST302493 BUTT  
UST332493 BUTT  
UST362493 BUTT

96" High  
Three shelves  
+\*:\***▲** UST92496 R or L  
+ UST122496 R or L  
+ UST152496 R or L  
+ UST182496 R or L  
+ UST212496 R or L  
+ UST242496 R or L  
○ UST242496 BUTT  
UST272496 (Butt)  
UST302496 BUTT  
UST332496 BUTT  
UST362496 BUTT

\* Doors are square except full overlay arch door styles. Thermofoil door styles will always be square. Veranda doors will have a solid, recessed flat panel

- (CW) option unavailable
- ▲ Glass door option unavailable
- + (TKD) option is unavailable
- + Unavailable with (IT) option

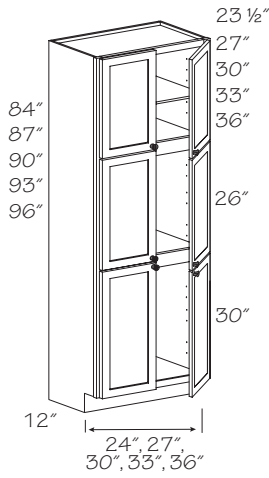
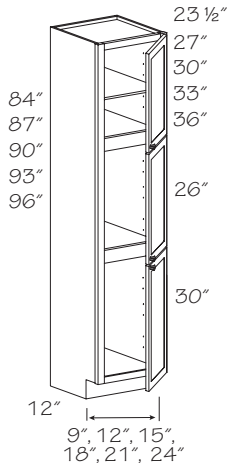
- Specify R or L for single door hinging
- Includes adjustable shelves in upper section
- Factory installed Roll-out Trays are unavailable on Utility Cabinets wider than 24"
- ☆ (VTK), (TKD), (WR), and (RTK) options are unavailable on 93" and 96" high cabinets
- ☆ (PTKV) is unavailable on cabinets less than 15" wide or 93" and 96" high cabinets
- Toe kick is shipped separately on 93" & 96" high cabinets
- ☆ (CH) modifications will be made in the upper section
- ☆ Max. (ID) is 27"
- ☆ Glass doors available for top doors only
- To get glass on center and bottom door, order replacement door with glass option
- **Note:** Order Shelf Kits for center and bottom sections separately



Remember to order a 3/16" skin (WSK) for the exposed ends of 93" & 96" high cabinets to conceal the seam between the loose toe kick and the cabinet.

●	PE
●	APC
●	APFC
●	FPEB
●	MI
●	DE
●	OE
●	AD_E
☆	CW
●	RD
☆	ID
☆	CH
	IF
	TWR
☆	WR
●	XS
☆	IT
☆	GD
☆	PTKV
☆	RTK
☆	VTK
☆	TKD

## Utility Stack Cabinets 12" Deep



- 84" High  
One shelf  
+\* **UST91284 R or L**  
**UST121284 R or L**  
**UST151284 R or L**  
**UST181284 R or L**  
**UST211284 R or L**  
**UST241284 R or L**  
○ **UST241284 BUTT**  
**UST271284 (Butt)**  
**UST301284 BUTT**  
**UST331284 BUTT**  
**UST361284 BUTT**

- 87" High  
One shelf  
+\* **UST91287 R or L**  
**UST121287 R or L**  
**UST151287 R or L**  
**UST181287 R or L**  
**UST211287 R or L**  
**UST241287 R or L**  
○ **UST241287 BUTT**  
**UST271287 (Butt)**  
**UST301287 BUTT**  
**UST331287 BUTT**  
**UST361287 BUTT**

- 90" High  
Two shelves  
+\* **UST91290 R or L**  
**UST121290 R or L**  
**UST151290 R or L**  
**UST181290 R or L**  
**UST211290 R or L**  
**UST241290 R or L**  
○ **UST241290 BUTT**  
**UST271290 (Butt)**  
**UST301290 BUTT**  
**UST331290 BUTT**  
**UST361290 BUTT**

- 93" High  
Two shelves  
+\* **UST91293 R or L**  
**UST121293 R or L**  
**UST151293 R or L**  
**UST181293 R or L**  
**UST211293 R or L**  
**UST241293 R or L**  
○ **UST241293 BUTT**  
**UST271293 (Butt)**  
**UST301293 BUTT**  
**UST331293 BUTT**  
**UST361293 BUTT**

- 96" High  
Three shelves  
+\* **UST91296 R or L**  
**UST121296 R or L**  
**UST151296 R or L**  
**UST181296 R or L**  
**UST211296 R or L**  
**UST241296 R or L**  
○ **UST241296 BUTT**  
**UST271296 (Butt)**  
**UST301296 BUTT**  
**UST331296 BUTT**  
**UST361296 BUTT**

\* Doors are square except full overlay arch door styles. Thermofoil door styles will always be square. Veranda doors will have a solid, recessed flat panel

○ (CW) option unavailable

+ Glass door option unavailable

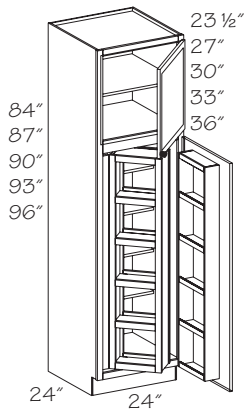
- Specify R or L for single door hinging
- Includes adjustable shelves in upper section
- Factory installed Roll-out Trays are unavailable on Utility Cabinets wider than 24"
- Note:** Order Shelf Kits for center and bottom sections separately
- ☆ (WR) and (RTK) are unavailable on 93" & 96" high cabinets
- ☆ (VTK) is unavailable on 93" and 96" high cabinets
- ☆ (PTKV) is unavailable on cabinets less than 15" wide or 93" and 96" high cabinets
- Toe kick is shipped separately on 93" & 96" high cabinets
- ☆ (CH) modifications will be made in the upper section
- ☆ Glass doors available for top doors only
- ☆ To get glass on center and bottom door, order replacement door with glass option



Remember to order a 3/16" skin (WSK) for the exposed ends of 93" & 96" high cabinets to conceal the seam between the loose toe kick and the cabinet.

●	PE
●	APC
●	APFC
●	FPEB
●	MI
●	DE
●	OE
●	AD_E
☆	CW
●	RD
	ID
☆	CH
	IF
	TWR
☆	WR
●	XS
	IT
☆	GD
☆	PTKV
☆	RTK
☆	VTK
	TKD

## Multi Storage Pantry 24" Wide



- 84" High  
One shelf  
**MSP242484 R or L**
- 87" High  
One shelf  
**MSP242487 R or L**
- 90" High  
Two shelves  
**MSP242490 R or L**
- 93" High  
Two shelves  
**MSP242493 R or L**
- 96" High  
Three shelves  
**MSP242496 R or L**

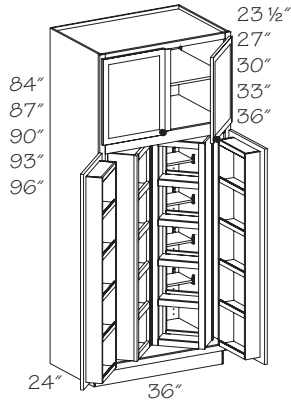
- Specify R or L for single door hinging
- Includes adjustable shelves in upper section
- Four 10 7/16" deep adjustable shelves in lower section
- One 4" deep door storage rack with five adjustable shelves
- One 6 1/2" deep double-sided swing-out storage rack with five adjustable shelves
- No center rail on tall door for Mitered, Slab, Wood-Grain Foil and Raised Panel Thermofoil door styles or doors with glass inserts
- ☆ (TKD), (VTK), (WR), (RTK) and (PTKV) unavailable on 93" & 96" high cabinets
- Toe kick is shipped separately on 93" & 96" high cabinets
- ☆ Available with (CTR); unavailable with (TWR)
- ☆ Glass doors available for top doors only
- Note:** Swing-out shelves operate within a 90° door opening



Caution! Cabinetry or other obstacles cannot protrude past the face frame on the non-hinged side of the cabinet. Not following this rule may result in improper function of the swing out unit

●	PE
●	APC
●	APFC
●	FPEB
●	MI
●	DE
●	OE
●	AD_E
	CW
	RD
	ID
●	CH
	IF
☆	TWR
☆	WR
●	XS
	IT
☆	GD
☆	PTKV
☆	RTK
☆	VTK
☆	TKD

## Multi Storage Pantry 36" Wide

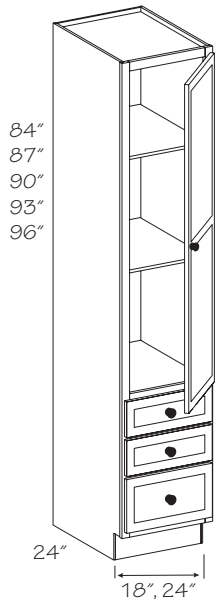


- 84" High  
One shelf  
**MSP362484**
- 87" High  
One shelf  
**MSP362487**
- 90" High  
Two shelves  
**MSP362490**
- 93" High  
Two shelves  
**MSP362493**
- 96" High  
Three shelves  
**MSP362496**

- Includes adjustable shelves in upper section
- Eight 7 1/8" deep adjustable shelves in lower section; four on each side of center partition
- Two 4" deep storage racks with five adjustable shelves
- Two 6 1/2" deep double-sided swing-out storage racks with five adjustable shelves
- No center rail on tall door for Mitered, Slab, Wood-Grain Foil and Raised Panel Thermofoil door styles or doors with glass inserts
- ☆ (VTK), (WR), (RTK) and (PTKV) options are unavailable on 93" & 96" high cabinets
- Toe kick is shipped separately on 93" & 96" high cabinets
- ☆ Available with (CTR); unavailable with (TWR)
- ☆ Glass doors available for top doors only
- **Note:** Swing-out shelves operate within a 90° door opening

●	PE
●	APC
●	APFC
●	FPEB
●	MI
●	DE
●	OE
●	AD_E
●	CW
●	RD
●	ID
●	CH
●	IF
☆	TWR
☆	WR
☆	XS
●	IT
☆	GD
☆	PTKV
☆	RTK
☆	VTK
☆	TKD

## Pantry Storage



- 84" High  
▲ **PS182484 R or L**  
▲ **PS242484 R or L**  
○ **PS242484 BUTT**
  - 87" High  
▲ **PS182487 R or L**  
▲ **PS242487 R or L**  
○▲ **PS242487 BUTT**
  - 90" High  
▲ **PS182490 R or L**  
▲ **PS242490 R or L**  
○ **PS242490 BUTT**
- (CW) option unavailable  
▲ Unavailable in Hailey door styles

- 93" High  
▲ **PS182493 R or L**  
▲ **PS242493 R or L**  
○▲ **PS242493 BUTT**
- 96" High  
▲ **PS182496 R or L**  
▲ **PS242496 R or L**  
○ **PS242496 BUTT**

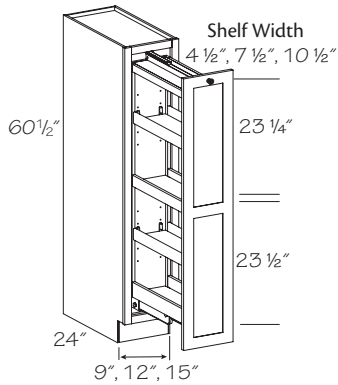
- Specify R or L for single door hinging
- Includes two adjustable shelves in upper section
- Drawer Configuration: 84" high-Three drawers (two standard, one deep) bottom edge of upper door aligns with bottom edge of the top drawer of standard base cabinet; 87" high-Three drawers (one standard, two deep). Drawers will **not** align with other base cabinets; 90" & 93" high-Four drawers (three standard, one deep) top drawer aligns with top drawer of standard base cabinet; 96" high-Five drawers (four standard, one deep) top drawer sets above countertop
- No center rail on tall door for Mitered, Slab, Wood-Grain Foil and Raised Panel Thermofoil door styles or doors with glass inserts
- Factory installed Roll-out Trays are unavailable
- ☆ (TKD), (VTK), (WR), (RTK) and (PTKV) unavailable on 93" & 96" high cabinets
- Toe kick is shipped separately on 93" & 96" high cabinets
- ☆ Max. (ID) is 27"

●	PE
●	APC
●	APFC
●	FPEB
●	MI
●	DE
●	OE
●	AD_E
☆	CW
●	RD
☆	ID
●	CH
●	IF
☆	TWR
☆	WR
●	XS
●	IT
☆	GD
☆	PTKV
☆	RTK
☆	VTK
☆	TKD



Remember to order a 3/16" skin (WSK) for the exposed ends of 93" & 96" high cabinets to conceal the seam between the loose toe kick and the cabinet.

### Tall Pantry Pull-out 60 1/2" H



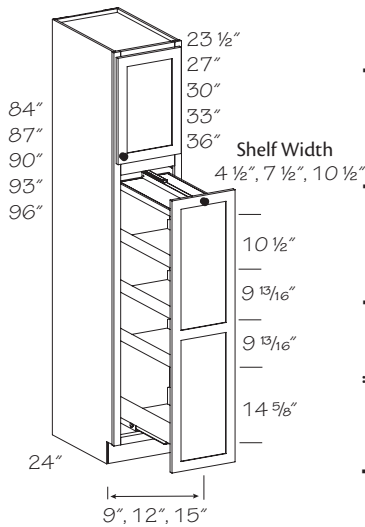
- ※◆ **TPP92460**
- ◆ **TPP122460**
- ◆ **TPP152460**

- ※ Veranda doors will have a solid, recessed flat panel
- ◆ (PTKV) option is unavailable

- Two fixed shelves attached to center and bottom of door
- Two adjustable shelves
- Pull-out shelves are 21 3/4" deep
- No center rail on tall door for Mitered, Slab, Wood-Grain Foil and Raised Panel Thermofoil door styles or doors with glass inserts
- Unit slides on full extension side-mount runners
- All door styles furnished square

- PE
- APC
- APFC
- FPFB
- MI
- DE
- OE
- AD\_E
- CW
- RD
- ID
- CH
- IF
- TWR
- WR
- XS
- IT
- GD
- ☆ PTKV
- RTK
- VTK
- TKD

### Tall Pantry Pull-out



- 84" High  
One shelf
- ◆ **TPP92484 R or L**
- ◆ **TPP122484 R or L**
- ◆ **TPP152484 R or L**
- 87" High  
One shelf
- ◆ **TPP92487 R or L**
- ◆ **TPP122487 R or L**
- ◆ **TPP152487 R or L**
- 90" High  
Two shelves
- ◆ **TPP92490 R or L**
- ◆ **TPP122490 R or L**
- ◆ **TPP152490 R or L**

- 93" High  
Two shelves
- ◆ **TPP92493 R or L**
- ◆ **TPP122493 R or L**
- ◆ **TPP152493 R or L**
- 96" High  
Three shelves
- ◆ **TPP92496 R or L**
- ◆ **TPP122496 R or L**
- ◆ **TPP152496 R or L**

- ※ Doors are square except full overlay arch door styles. Thermofoil door styles will always be square. Veranda doors will have a solid, recessed flat panel
- ◆ (TKD) option is unavailable

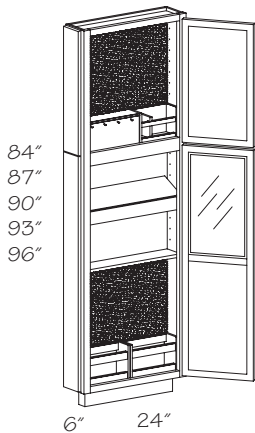
- Specify R or L for single door hinging
- Includes adjustable shelves in upper section
- Two fixed shelves attached to center and bottom of bottom door
- Two adjustable shelves
- Pull-out shelves are 21 3/4" deep
- Unit slides on full extension side-mount runners
- ☆ (PTKV) is unavailable on cabinets less than 15" wide or 93" and 96" high cabinets
- ☆ (TKD), (VTK), and (WR) options are unavailable on 93" and 96" high cabinets
- Toe kick is shipped separately on 93" & 96" high cabinets
- ☆ Available with (CTR); unavailable with (TWR)
- No center rail on tall door for Mitered, Slab, Wood-Grain Foil and Raised Panel Thermofoil door styles or doors with glass inserts

- PE
- APC
- APFC
- FPFB
- MI
- DE
- OE
- AD\_E
- CW
- RD
- ID
- CH
- IF
- ☆ TWR
- ☆ WR
- XS
- IT
- GD
- ☆ PTKV
- RTK
- ☆ VTK
- ☆ TKD



Remember to order a 3/16" skin (WSK) for the exposed ends of 93" & 96" high cabinets to conceal the seam between the loose toe kick and the cabinet.

### Utility Message Center



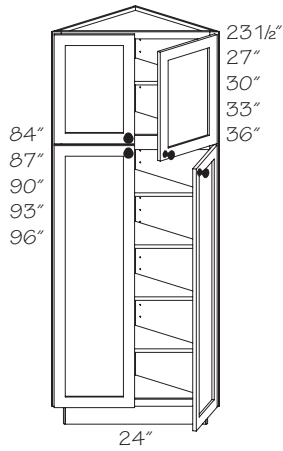
- ◆ **MCU2484 R or L**
- ◆ **MCU2487 R or L**
- ◆ **MCU2490 R or L**
- ◆ **MCU2493 R or L**
- ◆ **MCU2496 R or L**

- Specify R or L for single door hinging
- Top section features: Key hooks, cork board and organizer unit
- Bottom section features: Dry erase board, cork board, 2 magazine racks, 1 shelf, charging station (two - three-prong and two USB outlets)
- Requires separate power source in bottom section
- Charging station cord is 6 ft. long; power source needs to be within reach
- For use at the end of a cabinet run
- Back of cabinet is unfinished
- Two-piece Tall Filler Overlay supplied; shipped separately
- ☆ (VTK) is unavailable on 93" and 96" high cabinets
- Toe kick is shipped separately on 93" & 96" high cabinets
- A 2 1/2" frame stile is used on the hinge side of the cabinet to provide clearance for hardware



Note: When a hinged door is attached to a 2 1/2" stile the door will be 1" narrower than a standard door. Keep this in mind when stacking cabinets

- PE
- APC
- ◆ APFC
- FPFB
- MI
- DE
- OE
- AD\_E
- CW
- RD
- ID
- CH
- IF
- TWR
- ☆ WR
- XS
- IT
- GD
- PTKV
- ◆ RTK
- ☆ VTK
- TKD



### Tall Corner Angle

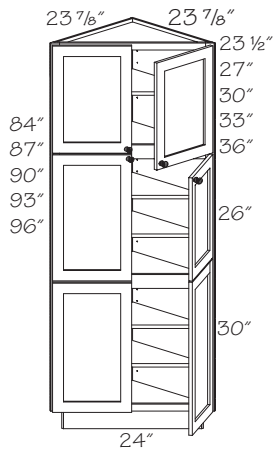
- 84" High  
One shelf  
**TCA242484 BUTT**
- 87" High  
One shelf  
**TCA242487 BUTT**
- 90" High  
Two shelves  
**TCA242490 BUTT**
- 93" High  
Two shelves  
**TCA242493 BUTT**
- 96" High  
Three shelves  
**TCA242496 BUTT**

- Includes adjustable shelves in upper section
- Four adjustable bottom shelves; shipped separately
- No center rail on tall door for Mitered, Slab, Wood-Grain Foil and Raised Panel Thermofoil door styles or doors with glass inserts
- Contrasting Back Options (CBEB, CPLB) unavailable
- Can be installed on either right or left end
- Replacement shelf available; specify BCAS2424
- Available with (CTR); unavailable with (TWR)
- (VTK) is unavailable on 93" and 96" high cabinets
- Toe kick is shipped separately on 93" & 96" high cabinets

- PE
- APC
- APFC
- FPEB
- MI
- DE
- OE
- AD\_E
- CW
- RD
- ID
- CH
- IF
- ☆ TWR
- WR
- XS
- IT
- GD
- PTKV
- RTK
- ☆ VTK
- TKD



End panels are unfinished; cabinet is intended to be used with a Utility or Oven Cabinet. Please use a panel to cover the exposed side if installing without an adjacent tall cabinet



### Tall Corner Angle Stack

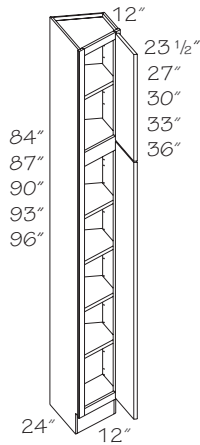
- 84" High  
One shelf  
**TCAST242484 BUTT**
- 87" High  
One shelf  
**TCAST242487 BUTT**
- 90" High  
Two shelves  
**TCAST242490 BUTT**
- 93" High  
Two shelves  
**TCAST242493 BUTT**
- 96" High  
Three shelves  
**TCAST242496 BUTT**

- Includes adjustable shelves in upper section
- Four adjustable bottom shelves; shipped separately
- Contrasting Back Options (CBEB, CPLB) unavailable
- Can be installed on either right or left end
- Replacement shelf available; specify BCAS2424
- ☆ (CH) modifications will be made in the upper section
- ☆ Glass doors available for top section only
- ☆ (VTK) is unavailable on 93" and 96" high cabinets
- Toe kick is shipped separately on 93" & 96" high cabinets

- PE
- APC
- APFC
- FPEB
- MI
- DE
- OE
- AD\_E
- CW
- RD
- ID
- ☆ CH
- IF
- TWR
- WR
- XS
- IT
- ☆ GD
- PTKV
- RTK
- ☆ VTK
- TKD



End panels are unfinished; cabinet is intended to be used with a Utility or Oven Cabinet. Please use a panel to cover the exposed side if installing without an adjacent tall cabinet



### Tall End Angle

84" High  
One shelf  
**TEA122484 R or L**

87" High  
One shelf  
**TEA122487 R or L**

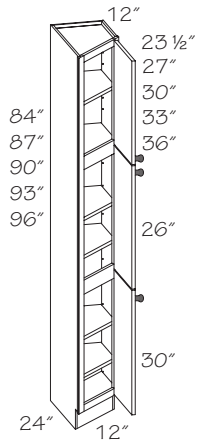
90" High  
Two shelves  
**TEA122490 R or L**

93" High  
Two shelves  
**TEA122493 R or L**

96" High  
Three shelves  
**TEA122496 R or L**

- Specify R or L for single door hinging
- Includes adjustable shelves in upper section
- Four adjustable bottom shelves; shipped separately
- No center rail on tall door for Mitered, Slab, Wood-Grain Foil and Raised Panel Thermofoil door styles or doors with glass inserts
- Contrasting Back Options (CBEB, CPLB) unavailable
- Replacement shelf available specify BEA12 R or L
- ☆ Integrated Decorative Ends available on 12" deep side only
- ☆ Min. (RD) is 18"
- ☆ Available with (CTR); unavailable with (TWR)
- ☆ Wide Rail Plain only (WR)
- ☆ (RTK) available hinge side only
- ☆ (VTK) is unavailable on 93" and 96" high cabinets
- Toe kick is shipped separately on 93" & 96" high cabinets
- **Note:** 24" end panels are unfinished; cabinet is intended to be used with a Utility or Oven Cabinet. Use a panel to cover the exposed side if installing without an adjacent tall cabinet. 12" deep end panels are finished
- **Note:** Full overlay door styles use a 1/2" overlay hinge

●	PE
●	APC
●	APFC
●	FPEB
●	MI
☆	DE
	OE
●	AD_E
	CW
☆	RD
	ID
●	CH
	IF
☆	TWR
☆	WR
	XS
	IT
●	GD
	PTKV
☆	RTK
☆	VTK
	TKD



### Tall End Angle Stack

84" High  
One shelf  
**TEAST122484 R or L**

87" High  
One shelf  
**TEAST122487 R or L**

90" High  
Two shelves  
**TEAST122490 R or L**

93" High  
Two shelves  
**TEAST122493 R or L**

96" High  
Three shelves  
**TEAST122496 R or L**

- Specify R or L for single door hinging
- Includes adjustable shelves in upper section
- Four adjustable bottom shelves; shipped separately
- Contrasting Back Options (CBEB, CPLB) unavailable
- Replacement shelf available specify BEA12 R or L
- ☆ Integrated Decorative Ends available on 12" deep side only
- ☆ Min. (RD) is 18"
- ☆ Wide Rail Plain only (WR)
- ☆ Glass doors available for top section only
- ☆ (CH) modifications will be made in the upper section
- ☆ (RTK) available hinge side only
- ☆ (VTK) is unavailable on 93" and 96" high cabinets
- Toe kick is shipped separately on 93" & 96" high cabinets
- **Note:** 24" end panels are unfinished; cabinet is intended to be used with a Utility or Oven Cabinet. Use a panel to cover the exposed side if installing without an adjacent tall cabinet. 12" deep end panels are finished
- **Note:** Full overlay door styles use a 1/2" overlay hinge

●	PE
●	APC
●	APFC
●	FPEB
●	MI
☆	DE
	OE
●	AD_E
	CW
☆	RD
	ID
☆	CH
	IF
	TWR
☆	WR
	XS
	IT
☆	GD
	PTKV
☆	RTK
☆	VTK
	TKD



# Tall Appliance Cabinets

## Construction Options and Modifications

<b>OC</b>	<b>30</b>	<b>84</b>	<b>24</b>
code	width	height	depth

- ❖ Included as standard
- Available with an upcharge
- ☆ Available with exceptions
- (Blank) Unavailable

- PE Plywood Ends
- APC All Plywood Construction
- APFC All Plywood Furniture Construction
- FPEB Furniture Plywood Ends
- MI Matching Interior
- AD\_E Attached Decorative End
- CW Change Width
- RD Reduced Depth
- ID Increased Depth
- CH Change Height
- IF Inverted Frame
- TWR Top Wide Rail
- WR Wide Bottom Rail
- XS Extended Stile
- GD Glass Doors
- PTKV Prepared for Toe Kick Vent
- RTK Recessed Toe Kick
- VTK Void Toe Kick
- TKD Toe Kick Drawer

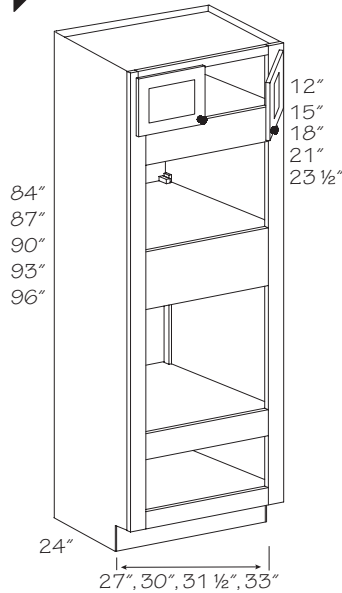
**Note:** Standard tall cabinet box depth is 12" or 24" unless stated otherwise. Add door thickness with bumpers for total depth.

**Note:** To conceal the seam between the loose toe kick and the cabinet, order a 3/16" skin (WSK) for the exposed ends of 93" & 96" high cabinets.

Material dimensions listed may vary slightly from actual dimensions of the product. Specifications subject to change without notice.

**Note:** Remember to remove the white plastic "feet" from the bottom of all tall cabinets before installation. Their sole purpose is to protect the floor after the cabinets are unboxed. Leaving them on will result in uneven installation.

**New**



### Oven Cabinet-Combination 3" Stiles w/Flush Bottom

- 84" High**
- ❑ FOC272484 (Butt)C
  - ❑ FOC302484 (Butt)C
  - ❑ FOC312484 (Butt)C
  - ❑ FOC332484 BUTTC

- 87" High**
- ❑ FOC272487 (Butt)C
  - ❑ FOC302487 (Butt)C
  - ❑ FOC312487 (Butt)C
  - ❑ FOC332487 BUTTC

- 90" High**
- ❑ FOC272490 (Butt)C
  - ❑ FOC302490 (Butt)C
  - ❑ FOC312490 (Butt)C
  - ❑ FOC332490 BUTTC

- 93" High**
- ❑ FOC272493 (Butt)C
  - ❑ FOC302493 (Butt)C
  - ❑ FOC312493 (Butt)C
  - ❑ FOC332493 BUTTC

- 96" High**
- ❑ FOC272496 (Butt)C
  - ❑ FOC302496 (Butt)C
  - ❑ FOC312496 (Butt)C
  - ❑ FOC332496 BUTTC

❑ (CH) option unavailable

Grey color coding indicates new product, size or code.

- Floor will be flush with frame rails in the appliance sections
- Includes adjustable shelves in upper section: 84", 87" & 90" high-no shelves; 93" & 96" high-one shelf
- Back Options (BEB and VGRB) unavailable
- Contrasting Back Options (CBEB, CPLB, CVGR) unavailable
- Center 10" rail can be removed for double oven applications
- ☆ (CH) modifications will be made in the upper door section; appliance cutout dimensions are **not** affected
- ☆ (TKD), (WR), (RTK) and (PTKV) unavailable on 93" & 96" high cabinets
- ☆ (VTK) is unavailable on 93" and 96" high cabinets
- Toe kick is shipped separately on 93" & 96" high cabinets
- Unavailable with knife hinge door option
- ☆ Max. (ID) is 27"
- Backless construction used in appliance opening area
- **Note:** When ordering glass doors in full overlay door styles, a portion of the 3" face frame will be visible

- PE
- APC
- APFC
- ❖ FPEB
- MI
- ☆ AD\_E
- CW
- RD
- ID
- ☆ CH
- IF
- TWR
- ☆ WR
- XS
- GD
- ☆ PTKV
- ☆ RTK
- ☆ VTK
- ☆ TKD



Best used for appliance combinations such as; microwave, single oven, and warming drawer or double oven and warming drawer



Remember to order a 3/16" skin (WSK) for the exposed ends of 93" & 96" high cabinets to conceal the seam between the loose toe kick and the cabinet. This cabinet has flush ends, therefore, Transition Molding (TRM8 or TTRM8) must be used in the application process of a Wood Skin (WSK)

### Cut out dimensions

Cabinet Width	Top		Center		Bottom			
	Min. Width	Max. Width	Min. Height	Max. Height	Min. Height	Max. Height		
27"	21"	25"	15"	24 1/2"	21 1/2"	27 1/2"	9"	13 1/2"
30"	24"	28"	15"	24 1/2"	21 1/2"	27 1/2"	9"	13 1/2"
31 1/2"	25 1/2"	29 1/2"	15"	24 1/2"	21 1/2"	27 1/2"	9"	13 1/2"
33"	27"	31"	15"	24 1/2"	21 1/2"	27 1/2"	9"	13 1/2"

**Cut-out Top (COT) for Oven Cabinet-Combination 3" Stiles w/Flush Bottom**

**All Sections**

Cabinet	Min. Width	Max. Width	Cabinet	Min. Width	Max. Width	Cabinet	Min. Width	Max. Width
FOC272484C	21"	25"	FOC272490C	21"	25"	FOC272496C	21"	25"
FOC302484C	24"	28"	FOC302490C	24"	28"	FOC302496C	24"	28"
FOC312484C	25 1/2"	29 1/2"	FOC312490C	25 1/2"	29 1/2"	FOC312496C	25 1/2"	29 1/2"
FOC332484BUTTC	27"	31"	FOC332490BUTTC	27"	31"	FOC332496BUTTC	27"	31"
FOC272487C	21"	25"	FOC272493C	21"	25"			
FOC302487C	24"	28"	FOC302493C	24"	28"			
FOC312487C	25 1/2"	29 1/2"	FOC312493C	25 1/2"	29 1/2"			
FOC332487BUTTC	27"	31"	FOC332493BUTTC	27"	31"			

**Cut-out Top (COT)**

Cabinet	Min. Height	Max. Height	Max Trim on Top Rail	Max Trim on Bottom Rail
FOC272484C	15"	24 1/2"	3 1/2"	6"
FOC302484C	15"	24 1/2"	3 1/2"	6"
FOC312484C	15"	24 1/2"	3 1/2"	6"
FOC332484BUTTC	15"	24 1/2"	3 1/2"	6"
FOC272487C	15"	24 1/2"	3 1/2"	6"
FOC302487C	15"	24 1/2"	3 1/2"	6"
FOC312487C	15"	24 1/2"	3 1/2"	6"
FOC332487BUTTC	15"	24 1/2"	3 1/2"	6"
FOC272490C	15"	24 1/2"	3 1/2"	6"
FOC302490C	15"	24 1/2"	3 1/2"	6"
FOC312490C	15"	24 1/2"	3 1/2"	6"
FOC332490BUTTC	15"	24 1/2"	3 1/2"	6"
FOC272493C	15"	24 1/2"	3 1/2"	6"
FOC302493C	15"	24 1/2"	3 1/2"	6"
FOC312493C	15"	24 1/2"	3 1/2"	6"
FOC332493BUTTC	15"	24 1/2"	3 1/2"	6"
FOC272496C	15"	24"	3"	6"
FOC302496C	15"	24"	3"	6"
FOC312496C	15"	24"	3"	6"
FOC332496BUTTC	15"	24"	3"	6"

**Cut-out Center (COC) for Oven Cabinet-Combination 3"Stiles w/Flush Bottom**

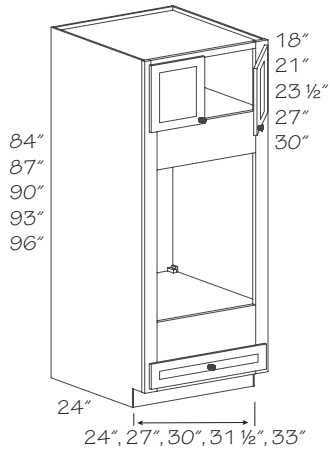
<b>(COC) - If Top Cut-out section opening is cut to Max. Opening Height</b>				
<b>Cabinet</b>	<b>Min. Height</b>	<b>Max. Height</b>	<b>Max Trim on Top Rail</b>	<b>Max Trim on Bottom Rail</b>
FOC272484C	21 1/2"	21 1/2"	0	0
FOC302484C	21 1/2"	21 1/2"	0	0
FOC312484C	21 1/2"	21 1/2"	0	0
FOC332484BUTTC	21 1/2"	21 1/2"	0	0
FOC272487C	21 1/2"	21 1/2"	0	0
FOC302487C	21 1/2"	21 1/2"	0	0
FOC312487C	21 1/2"	21 1/2"	0	0
FOC332487BUTTC	21 1/2"	21 1/2"	0	0
FOC272490C	21 1/2"	21 1/2"	0	0
FOC302490C	21 1/2"	21 1/2"	0	0
FOC312490C	21 1/2"	21 1/2"	0	0
FOC332490BUTTC	21 1/2"	21 1/2"	0	0
FOC272493C	21 1/2"	21 1/2"	0	0
FOC302493C	21 1/2"	21 1/2"	0	0
FOC312493C	21 1/2"	21 1/2"	0	0
FOC332493BUTTC	21 1/2"	21 1/2"	0	0
FOC272496C	22"	22"	0	0
FOC302496C	22"	22"	0	0
FOC312496C	22"	22"	0	0
FOC332496BUTTC	22"	22"	0	0

<b>(COC) - If Top Cut-out section opening is NOT Modified</b>				
<b>Cabinet</b>	<b>Min. Height</b>	<b>Max. Height</b>	<b>Max Trim on Top Rail</b>	<b>Max Trim on Bottom Rail</b>
FOC272484C	21 1/2"	27 1/2"	6"	0
FOC302484C	21 1/2"	27 1/2"	6"	0
FOC312484C	21 1/2"	27 1/2"	6"	0
FOC332484BUTTC	21 1/2"	27 1/2"	6"	0
FOC272487C	21 1/2"	27 1/2"	6"	0
FOC302487C	21 1/2"	27 1/2"	6"	0
FOC312487C	21 1/2"	27 1/2"	6"	0
FOC332487BUTTC	21 1/2"	27 1/2"	6"	0
FOC272490C	21 1/2"	27 1/2"	6"	0
FOC302490C	21 1/2"	27 1/2"	6"	0
FOC312490C	21 1/2"	27 1/2"	6"	0
FOC332490BUTTC	21 1/2"	27 1/2"	6"	0
FOC272493C	21 1/2"	27 1/2"	6"	0
FOC302493C	21 1/2"	27 1/2"	6"	0
FOC312493C	21 1/2"	27 1/2"	6"	0
FOC332493BUTTC	21 1/2"	27 1/2"	6"	0
FOC272496C	22"	28"	6"	0
FOC302496C	22"	28"	6"	0
FOC312496C	22"	28"	6"	0
FOC332496BUTTC	22"	28"	6"	0

**Cut-out Bottom (COB) for Oven Cabinet-Combination 3" Stiles w/Flush Bottom**

Cut-out Bottom (COB)				
Cabinet	Min. Height	Max. Height	Max Trim on Top Rail	Max Trim on Bottom Rail
FOC272484C	9"	13 1/2"	4 1/2"	0"
FOC302484C	9"	13 1/2"	4 1/2"	0"
FOC312484C	9"	13 1/2"	4 1/2"	0"
FOC332484BUTTC	9"	13 1/2"	4 1/2"	0"
FOC272487C	9"	13 1/2"	4 1/2"	0"
FOC302487C	9"	13 1/2"	4 1/2"	0"
FOC312487C	9"	13 1/2"	4 1/2"	0"
FOC332487BUTTC	9"	13 1/2"	4 1/2"	0"
FOC272490C	9"	13 1/2"	4 1/2"	0"
FOC302490C	9"	13 1/2"	4 1/2"	0"
FOC312490C	9"	13 1/2"	4 1/2"	0"
FOC332490BUTTC	9"	13 1/2"	4 1/2"	0"
FOC272493C	9"	13 1/2"	4 1/2"	0"
FOC302493C	9"	13 1/2"	4 1/2"	0"
FOC312493C	9"	13 1/2"	4 1/2"	0"
FOC332493BUTTC	9"	13 1/2"	4 1/2"	0"
FOC272496C	9"	13 1/2"	4 1/2"	0"
FOC302496C	9"	13 1/2"	4 1/2"	0"
FOC312496C	9"	13 1/2"	4 1/2"	0"
FOC332496BUTTC	9"	13 1/2"	4 1/2"	0"

## Oven Cabinet-Double w/3" Stiles



- 84" High  
No shelf  
\*OC242484 (Butt)D  
OC272484 (Butt)D  
OC302484 (Butt)D  
OC312484 (Butt)D  
OC332484 BUTTD
- 87" High  
No shelf  
\*OC242487 (Butt)D  
OC272487 (Butt)D  
OC302487 (Butt)D  
OC312487 (Butt)D  
OC332487 BUTTD
- 90" High  
One shelf  
\*OC242490 (Butt)D  
OC272490 (Butt)D  
OC302490 (Butt)D  
OC312490 (Butt)D  
OC332490 BUTTD

- 93" High  
One shelf  
\*OC242493 (Butt)D  
OC272493 (Butt)D  
OC302493 (Butt)D  
OC312493 (Butt)D  
OC332493 BUTTD
- 96" High  
Two shelves  
\*OC242496 (Butt)D  
OC272496 (Butt)D  
OC302496 (Butt)D  
OC312496 (Butt)D  
OC332496 BUTTD

- \* 1 1/2" stiles  
○ (CW) option unavailable

- Includes adjustable shelves in upper section
- Oven Trim Kit (overlay panel) available for a full overlay look
- Double Oven Opening Kit shelf available for two appliance installation
- ☆ (CH) modifications will be made in the upper door section; appliance cutout dimensions are **not** affected
- ☆ Available with (CTR); unavailable with (TWR)
- ☆ (TKD), (VTK), (WR), (RTK) and (PTKV) unavailable on 93" & 96" high cabinets
- (MIFA) option is available
- Toe kick is shipped separately on 93" & 96" high cabinets
- Unavailable with knife hinge door option
- Roll-out Trays are unavailable for 31 1/2" wide cabinets
- ☆ Max. (ID) is 27"
- Drawer height is 4"
- Backless construction used in appliance opening area
- **Note:** When ordering glass doors in full overlay door styles, a portion of the 3" face frame will be visible

- PE
- APC
- APFC
- FPFB
- MI
- AD\_E
- ☆ CW
- RD
- ☆ ID
- ☆ CH
- IF
- ☆ TWR
- ☆ WR
- XS
- GD
- ☆ PTKV
- ☆ RTK
- ☆ VTK
- ☆ TKD

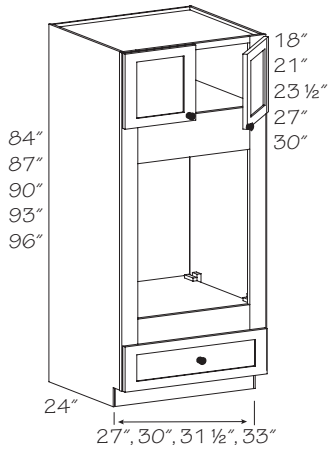
Cut out dimensions

Cabinet Width	Min. Width	Max. Width	Min. Height	Max. Height
24"	21"	22"	36 1/2"	50"
27"	21"	25"	36 1/2"	50"
30"	24"	28"	36 1/2"	50"
31 1/2"	25 1/2"	29 1/2"	36 1/2"	50"
33"	27"	31"	36 1/2"	50"

## Cut-out Single (COS) option for Oven Cabinet-Double w/3" Stiles

Cabinet	Min. Width	Max. Width	Min. Height	Max. Height	Max Trim on Top Rail	Max Trim on Bottom Rail
OC242484D	21"	22"	36 1/2"	50"	7 1/2"	6"
OC272484D	21"	25"	36 1/2"	50"	7 1/2"	6"
OC302484D	24"	28"	36 1/2"	50"	7 1/2"	6"
OC312484D	25 1/2"	29 1/2"	36 1/2"	50"	7 1/2"	6"
OC332484BUTTD	27"	31"	36 1/2"	50"	7 1/2"	6"
OC242487D	21"	22"	36 1/2"	50"	7 1/2"	6"
OC272487D	21"	25"	36 1/2"	50"	7 1/2"	6"
OC302487D	24"	28"	36 1/2"	50"	7 1/2"	6"
OC312487D	25 1/2"	29 1/2"	36 1/2"	50"	7 1/2"	6"
OC332487BUTTD	27"	31"	36 1/2"	50"	7 1/2"	6"
OC242490D	21"	22"	37"	50 1/2"	7 1/2"	6"
OC272490D	21"	25"	37"	50 1/2"	7 1/2"	6"
OC302490D	24"	28"	37"	50 1/2"	7 1/2"	6"
OC312490D	25 1/2"	29 1/2"	37"	50 1/2"	7 1/2"	6"
OC332490BUTTD	27"	31"	37"	50 1/2"	7 1/2"	6"
OC242493D	21"	22"	36 1/2"	50"	7 1/2"	6"
OC272493D	21"	25"	36 1/2"	50"	7 1/2"	6"
OC302493D	24"	28"	36 1/2"	50"	7 1/2"	6"
OC312493D	25 1/2"	29 1/2"	36 1/2"	50"	7 1/2"	6"
OC332493BUTTD	27"	31"	36 1/2"	50"	7 1/2"	6"
OC242496D	21"	22"	36 1/2"	50"	7 1/2"	6"
OC272496D	21"	25"	36 1/2"	50"	7 1/2"	6"
OC302496D	24"	28"	36 1/2"	50"	7 1/2"	6"
OC312496D	25 1/2"	29 1/2"	36 1/2"	50"	7 1/2"	6"
OC332496BUTTD	27"	31"	36 1/2"	50"	7 1/2"	6"

## Oven Cabinet–Double w/3” Stiles–Deep Drawer



Cut out dimensions

Cabinet Width	Min. Width	Max. Width	Min. Height	Max. Height
27"	21"	25"	36 1/2"	47"
30"	24"	28"	36 1/2"	47"
31 1/2"	25 1/2"	29 1/2"	36 1/2"	47"
33"	27"	31"	36 1/2"	47"

84" High

No shelf

**OC272484 (Butt)D.DD**

**OC302484 (Butt)D.DD**

**OC312484 (Butt)D.DD**

**OC332484 BUTTD.DD**

87" High

One shelf

**OC272487 (Butt)D.DD**

**OC302487 (Butt)D.DD**

**OC312487 (Butt)D.DD**

**OC332487 BUTTD.DD**

90" High

One shelf

**OC272490 (Butt)D.DD**

**OC302490 (Butt)D.DD**

**OC312490 (Butt)D.DD**

**OC332490 BUTTD.DD**

93" High

One shelf

**OC272493 (Butt)D.DD**

**OC302493 (Butt)D.DD**

**OC312493 (Butt)D.DD**

**OC332493 BUTTD.DD**

96" High

Two shelves

**OC272496 (Butt)D.DD**

**OC302496 (Butt)D.DD**

**OC312496 (Butt)D.DD**

**OC332496 BUTTD.DD**

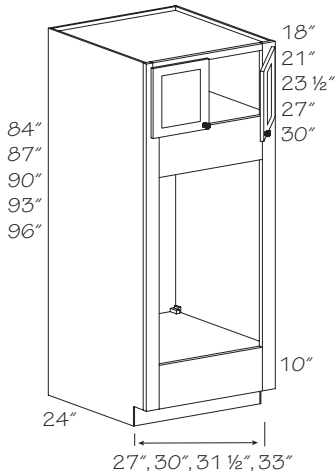
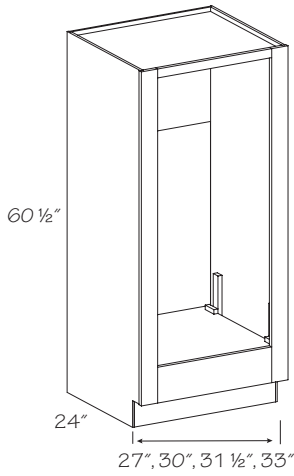
- Includes adjustable shelves in upper section
- Oven Trim Kit (overlay panel) available for a full overlay look
- Double Oven Opening Kit shelf available for two appliance installation
- ☆ (CH) modifications will be made in the upper door section; appliance cutout dimensions are **not** affected
- ☆ Available with (CTR); unavailable with (TWR)
- ☆ (TKD), (VTK), (WR), (RTK) and (PTKV) unavailable on 93" & 96" high cabinets
- (MIFA) option is available
- Unavailable with knife hinge door option
- Roll-out Trays are unavailable for 31 1/2" wide cabinets
- ☆ Max. (ID) is 27"
- ☆ Glass doors available for top doors only
- Backless construction used in appliance opening area
- Drawer height is 7"
- **Note:** When ordering glass doors in full overlay door styles, a portion of the 3" face frame will be visible

● PE
● APC
● APFC
● FPFB
● MI
● AD_E
● CW
● RD
☆ ID
☆ CH
☆ IF
☆ TWR
☆ WR
● XS
☆ GD
☆ PTKV
☆ RTK
☆ VTK
☆ TKD

## Cut-out Single (COS) option for Oven Cabinet–Double w/3” Stiles – Deep Drawer

Cabinet	Min. Width	Max. Width	Min. Height	Max. Height	Max Trim on Top Rail	Max Trim on Bottom Rail
<b>OC272484D.DD</b>	21"	25"	36 1/2"	47"	7 1/2"	3"
<b>OC302484D.DD</b>	24"	28"	36 1/2"	47"	7 1/2"	3"
<b>OC312484D.DD</b>	25 1/2"	29 1/2"	36 1/2"	47"	7 1/2"	3"
<b>OC332484BUTTD.DD</b>	27"	31"	36 1/2"	47"	7 1/2"	3"
<b>OC272487D.DD</b>	21"	25"	36 1/2"	47"	7 1/2"	3"
<b>OC302487D.DD</b>	24"	28"	36 1/2"	47"	7 1/2"	3"
<b>OC312487D.DD</b>	25 1/2"	29 1/2"	36 1/2"	47"	7 1/2"	3"
<b>OC332487BUTTD.DD</b>	27"	31"	36 1/2"	47"	7 1/2"	3"
<b>OC272490D.DD</b>	21"	25"	37"	47 1/2"	7 1/2"	3"
<b>OC302490D.DD</b>	24"	28"	37"	47 1/2"	7 1/2"	3"
<b>OC312490D.DD</b>	25 1/2"	29 1/2"	37"	47 1/2"	7 1/2"	3"
<b>OC332490BUTTD.DD</b>	27"	31"	37"	47 1/2"	7 1/2"	3"
<b>OC272493D.DD</b>	21"	25"	36 1/2"	47"	7 1/2"	3"
<b>OC302493D.DD</b>	24"	28"	36 1/2"	47"	7 1/2"	3"
<b>OC312493D.DD</b>	25 1/2"	29 1/2"	36 1/2"	47"	7 1/2"	3"
<b>OC332493BUTTD.DD</b>	27"	31"	36 1/2"	47"	7 1/2"	3"
<b>OC272496D.DD</b>	21"	25"	36 1/2"	47"	7 1/2"	3"
<b>OC302496D.DD</b>	24"	28"	36 1/2"	47"	7 1/2"	3"
<b>OC312496D.DD</b>	25 1/2"	29 1/2"	36 1/2"	47"	7 1/2"	3"
<b>OC332496BUTTD.DD</b>	27"	31"	36 1/2"	47"	7 1/2"	3"

## Oven Cabinet-Double Extended Opening w/3" Stiles



60 1/2" High  
No shelf  
 ■▲ OC272460 DE  
 ■▲ OC302460 DE  
 ■▲ OC312460 DE  
 ■▲ OC332460 DE

84" High  
No shelf  
 OC272484 (Butt)DE  
 OC302484 (Butt)DE  
 OC312484 (Butt)DE  
 OC332484 BUTTDE

87" High  
No shelf  
 OC272487 (Butt)DE  
 OC302487 (Butt)DE  
 OC312487 (Butt)DE  
 OC332487 BUTTDE

▲ (CTR) is unavailable  
 ■ Glass door option unavailable

90" High  
One shelf  
 OC272490 (Butt)DE  
 OC302490 (Butt)DE  
 OC312490 (Butt)DE  
 OC332490 BUTTDE

93" High  
One shelf  
 OC272493 (Butt)DE  
 OC302493 (Butt)DE  
 OC312493 (Butt)DE  
 OC332493 BUTTDE

96" High  
Two shelves  
 OC272496 (Butt)DE  
 OC302496 (Butt)DE  
 OC312496 (Butt)DE  
 OC332496 BUTTDE

- Includes adjustable shelves in upper section
- Double Oven Opening Kit shelf available for two appliance installation
- Oven Trim Kit (overlay panel) available for a full overlay look
- ☆ (CH) modifications will be made in the upper door section; appliance cutout dimensions are **not** affected
- ☆ Available with (CTR); unavailable with (TWR)
- ☆ (TKD), (VTK), (WR), (RTK) and (PTKV) unavailable on 93" & 96" high cabinets
- (MIFA) option is available
- Toe kick is shipped separately on 93" & 96" high cabinets
- Unavailable with knife hinge door option
- Roll-out Trays are unavailable for 31 1/2" wide cabinets
- ☆ Max. (ID) is 27"
- Backless construction used in appliance opening area
- **Note:** When ordering glass doors in full overlay door styles, a portion of the 3" face frame will be visible

- PE
- APC
- APFC
- FPFB
- MI
- AD\_E
- CW
- RD
- ☆ ID
- ☆ CH
- ☆ IF
- ☆ TWR
- ☆ WR
- XS
- ☆ GD
- ☆ PTKV
- ☆ RTK
- ☆ VTK
- ☆ TKD

Cut out dimensions

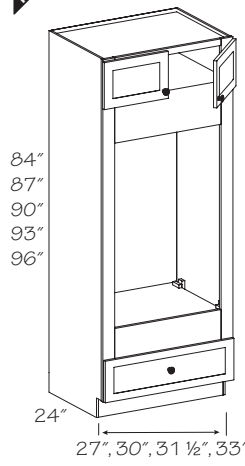
Cabinet Width	60" H Cabinet		84"-87" H Cabinet		90"+ H Cabinet	
	Min. Width	Max. Width	Min. Height	Max. Height	Min. Height	Max. Height
27"	21"	25"	48 1/2"	50 1/2"	43"	56 1/2"
30"	24"	28"	48 1/2"	50 1/2"	43"	56 1/2"
31 1/2"	25 1/2"	29 1/2"	48 1/2"	50 1/2"	43"	56 1/2"
33"	27"	31"	48 1/2"	50 1/2"	43"	56 1/2"

**Cut-out Single (COS) option for Oven Cabinet-Double Extended Opening w/3" Stiles**

Cabinet	Min. Width	Max. Width	Min. Height	Max. Height	Max Trim on Top Rail	Max Trim on Bottom Rail
OC272460DE	21"	25"	48 1/2"	50 1/2"	0	2"
OC302460DE	24"	28"	48 1/2"	50 1/2"	0	2"
OC312460DE	25 1/2"	29 1/2"	48 1/2"	50 1/2"	0	2"
OC332460DE	27"	31"	48 1/2"	50 1/2"	0	2"
OC272484DE	21"	25"	43"	56 1/2"	7 1/2"	6"
OC302484DE	24"	28"	43"	56 1/2"	7 1/2"	6"
OC312484DE	25 1/2"	29 1/2"	43"	56 1/2"	7 1/2"	6"
OC332484BUTTDE	27"	31"	43"	56 1/2"	7 1/2"	6"
OC272487DE	21"	25"	43"	56 1/2"	7 1/2"	6"
OC302487DE	24"	28"	43"	56 1/2"	7 1/2"	6"
OC312487DE	25 1/2"	29 1/2"	43"	56 1/2"	7 1/2"	6"
OC332487BUTTDE	27"	31"	43"	56 1/2"	7 1/2"	6"
OC272490DE	21"	25"	43 1/2"	57"	7 1/2"	6"
OC302490DE	24"	28"	43 1/2"	57"	7 1/2"	6"
OC312490DE	25 1/2"	29 1/2"	43 1/2"	57"	7 1/2"	6"
OC332490BUTTDE	27"	31"	43 1/2"	57"	7 1/2"	6"
OC272493DE	21"	25"	43"	56 1/2"	7 1/2"	6"
OC302493DE	24"	28"	43"	56 1/2"	7 1/2"	6"
OC312493DE	25 1/2"	29 1/2"	43"	56 1/2"	7 1/2"	6"
OC332493BUTTDE	27"	31"	43"	56 1/2"	7 1/2"	6"
OC272496DE	21"	25"	43"	56 1/2"	7 1/2"	6"
OC302496DE	24"	28"	43"	56 1/2"	7 1/2"	6"
OC312496DE	25 1/2"	29 1/2"	43"	56 1/2"	7 1/2"	6"
OC332496BUTTDE	27"	31"	43"	56 1/2"	7 1/2"	6"



New



### Oven Cabinet-Double - Extended Opening w/3" Stiles-Deep Drawer

- 84" high  
No shelf  
 OC272484 (Butt)D.DD.EO  
 OC302484 (Butt)D.DD.EO  
 OC312484 (Butt)D.DD.EO  
 OC332484 BUTTD.DD.EO

- 87" high  
No shelf  
 OC272487 (Butt)D.DD.EO  
 OC302487 (Butt)D.DD.EO  
 OC312487 (Butt)D.DD.EO  
 OC332487 BUTTD.DD.EO

- 90" high  
No shelf  
 OC272490 (Butt)D.DD.EO  
 OC302490 (Butt)D.DD.EO  
 OC312490 (Butt)D.DD.EO  
 OC332490 BUTTD.DD.EO

- 93" high  
One shelf  
 OC272493 (Butt)D.DD.EO  
 OC302493 (Butt)D.DD.EO  
 OC312493 (Butt)D.DD.EO  
 OC332493 BUTTD.DD.EO

- 96" high  
One shelf  
 OC272496 (Butt)D.DD.EO  
 OC302496 (Butt)D.DD.EO  
 OC312496 (Butt)D.DD.EO  
 OC332496 BUTTD.DD.EO

- (CH) option unavailable  
 (CTR) is unavailable  
 (CTR) has dimension max. of 3"

Grey color coding indicates new product, size or code.

- Includes adjustable shelves in upper section
- Oven Trim Kit (overlay panel) available for a full overlay look
- Double Oven Opening Kit shelf available for two appliance installation
- (CH) modifications will be made in the upper door section; appliance cutout dimensions are **not** affected
- Available with (CTR); unavailable with (TWR)
- (TKD), (VTK), (PTKV), (WR) and (RTK) unavailable on 93" & 96" high cabinets
- (MIFA) option is available
- Unavailable with knife hinge door option
- Max. (ID) is 27"
- Backless construction used in appliance opening area
- Note:** When ordering glass doors in full overlay door styles, a portion of the 3" face frame will be visible

- PE
- APC
- APFC
- FPFB
- MI
- AD\_E
- CW
- RD
- ID
- ☆ CH
- IF
- ☆ TWR
- ☆ WR
- XS
- GD
- ☆ PTKV
- ☆ RTK
- ☆ VTK
- ☆ TKD

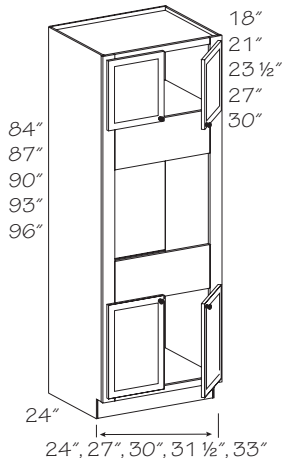
Cabinet Width	Min. Width	Max Width	Min. Height	Max. Height
27"	21"	25"	42 1/2"	53"
30"	24"	28"	42 1/2"	53"
31 1/2"	25 1/2"	29 1/2"	42 1/2"	53"
33"	27"	31"	42 1/2"	53"

### Cut-out Single (COS) option for Oven Cabinet-Double - Extended Opening w/3" Stiles-Deep Drawer

Cabinet	Min. Width	Max. Width	Min. Height	Max. Height	Max Trim on top Rail	Max Trim on Bottom Rail
OC272484D.DD.EO	21"	25"	42 1/2"	53"	7 1/2"	3"
OC272487D.DD.EO	21"	25"	42 1/2"	53"	7 1/2"	3"
OC272490D.DD.EO	21"	25"	42 1/2"	53"	7 1/2"	3"
OC272493D.DD.EO	21"	25"	42 1/2"	53"	7 1/2"	3"
OC272496D.DD.EO	21"	25"	42 1/2"	53"	7 1/2"	3"
OC302484D.DD.EO	24"	28"	42 1/2"	53"	7 1/2"	3"
OC302487D.DD.EO	24"	28"	42 1/2"	53"	7 1/2"	3"
OC302490D.DD.EO	24"	28"	42 1/2"	53"	7 1/2"	3"
OC302493D.DD.EO	24"	28"	42 1/2"	53"	7 1/2"	3"
OC302496D.DD.EO	24"	28"	42 1/2"	53"	7 1/2"	3"
OC312484D.DD.EO	25 1/2"	29 1/2"	42 1/2"	53"	7 1/2"	3"
OC312487D.DD.EO	25 1/2"	29 1/2"	42 1/2"	53"	7 1/2"	3"
OC312490D.DD.EO	25 1/2"	29 1/2"	42 1/2"	53"	7 1/2"	3"
OC312493D.DD.EO	25 1/2"	29 1/2"	42 1/2"	53"	7 1/2"	3"
OC312496D.DD.EO	25 1/2"	29 1/2"	42 1/2"	53"	7 1/2"	3"
OC332484BUTTD.DD.EO	27"	31"	42 1/2"	53"	7 1/2"	3"
OC332487BUTTD.DD.EO	27"	31"	42 1/2"	53"	7 1/2"	3"
OC332490BUTTD.DD.EO	27"	31"	42 1/2"	53"	7 1/2"	3"
OC332493BUTTD.DD.EO	27"	31"	42 1/2"	53"	7 1/2"	3"
OC332496BUTTD.DD.EO	27"	31"	42 1/2"	53"	7 1/2"	3"

Tall Cabinets

## Oven Cabinet–Single w/3” Stiles



- 84" High  
No shelf  
\*OC242484 (Butt)S  
OC272484 (Butt)S  
OC302484 (Butt)S  
OC312484 (Butt)S  
OC332484 BUTTS
- 87" High  
No shelf  
\*OC242487 (Butt)S  
OC272487 (Butt)S  
OC302487 (Butt)S  
OC312487 (Butt)S  
OC332487 BUTTS
- 90" High  
One shelf  
\*OC242490 (Butt)S  
OC272490 (Butt)S  
OC302490 (Butt)S  
OC312490 (Butt)S  
OC332490 BUTTS

- 93" High  
One shelf  
\*OC242493 (Butt)S  
OC272493 (Butt)S  
OC302493 (Butt)S  
OC312493 (Butt)S  
OC332493 BUTTS
- 96" High  
Two shelves  
\*OC242496 (Butt)S  
OC272496 (Butt)S  
OC302496 (Butt)S  
OC312496 (Butt)S  
OC332496 BUTTS

- \* 1 1/2" stiles  
○ (CW) option unavailable

- Includes adjustable shelves in upper section
- Factory installed Roll-out Trays are unavailable, except OC24
- Oven Trim Kit (overlay panel) available for a full overlay look
- ☆ (CH) modifications will be made in the upper door section; appliance cutout dimensions are **not** affected
- ☆ Available with (CTR); unavailable with (TWR)
- ☆ (TKD), (VTK), (WR), (RTK) and (PTKV) unavailable on 93" & 96" high cabinets
- (MIFA) option is available
- ☆ Glass on top and bottom on select (GD) designs only
- Unavailable with knife hinge door option
- Roll-out Trays are unavailable for 31 1/2" wide cabinets
- ☆ Max. (ID) is 27"
- Backless construction used in appliance opening area
- **Note:** When ordering glass doors in full overlay door styles, a portion of the 3" face frame will be visible

- PE
- APC
- APFC
- FPFB
- MI
- AD\_E
- ☆ CW
- RD
- ☆ ID
- ☆ CH
- IF
- ☆ TWR
- ☆ WR
- XS
- ☆ GD
- ☆ PTKV
- ☆ RTK
- ☆ VTK
- ☆ TKD

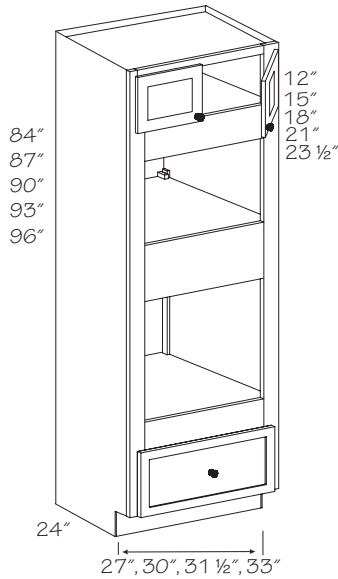
Cut out dimensions

Cabinet Width	Min. Width	Max. Width	Min. Height	Max. Height
24"	21"	22"	21"	33 13/16"
27"	21"	25"	21"	33 13/16"
30"	24"	28"	21"	33 13/16"
31 1/2"	25 1/2"	29 1/2"	21"	33 13/16"
33"	27"	31"	21"	33 13/16"

## Cut-out Single (COS) option for Oven Cabinet-Single w/3” Stiles

Cabinet	Min. Width	Max. Width	Min. Height	Max. Height	Max Trim on Top Rail	Max Trim on Bottom Rail
OC242484S	21"	22"	21"	33 13/16"	7 1/2"	5 5/16"
OC272484S	21"	25"	21"	33 13/16"	7 1/2"	5 5/16"
OC302484S	24"	28"	21"	33 13/16"	7 1/2"	5 5/16"
OC312484S	25 1/2"	29 1/2"	21"	33 13/16"	7 1/2"	5 5/16"
OC332484BUTTS	27"	31"	21"	33 13/16"	7 1/2"	5 5/16"
OC242487S	21"	22"	21"	33 13/16"	7 1/2"	5 5/16"
OC272487S	21"	25"	21"	33 13/16"	7 1/2"	5 5/16"
OC302487S	24"	28"	21"	33 13/16"	7 1/2"	5 5/16"
OC312487S	25 1/2"	29 1/2"	21"	33 13/16"	7 1/2"	5 5/16"
OC332487BUTTS	27"	31"	21"	33 13/16"	7 1/2"	5 5/16"
OC242490S	21"	22"	21 1/2"	34 13/16"	7 1/2"	5 5/16"
OC272490S	21"	25"	21 1/2"	34 13/16"	7 1/2"	5 5/16"
OC302490S	24"	28"	21 1/2"	34 13/16"	7 1/2"	5 5/16"
OC312490S	25 1/2"	29 1/2"	21 1/2"	34 13/16"	7 1/2"	5 5/16"
OC332490BUTTS	27"	31"	21 1/2"	34 13/16"	7 1/2"	5 5/16"
OC242493S	21"	22"	21"	33 13/16"	7 1/2"	5 5/16"
OC272493S	21"	25"	21"	33 13/16"	7 1/2"	5 5/16"
OC302493S	24"	28"	21"	33 13/16"	7 1/2"	5 5/16"
OC312493S	25 1/2"	29 1/2"	21"	33 13/16"	7 1/2"	5 5/16"
OC332493BUTTS	27"	31"	21"	33 13/16"	7 1/2"	5 5/16"
OC242496S	21"	22"	21"	33 13/16"	7 1/2"	5 5/16"
OC272496S	21"	25"	21"	33 13/16"	7 1/2"	5 5/16"
OC302496S	24"	28"	21"	33 13/16"	7 1/2"	5 5/16"
OC312496S	25 1/2"	29 1/2"	21"	33 13/16"	7 1/2"	5 5/16"
OC332496BUTTS	27"	31"	21"	33 13/16"	7 1/2"	5 5/16"

## Oven Cabinet-Combination w/Bottom Drawer



- 84" High**  
 No shelf  
 **OC272484 (Butt)C.D**  
 **OC302484 (Butt)C.D**  
 **OC312484 (Butt)C.D**  
 **OC332484 BUTTC.D**
- 87" High**  
 No shelf  
 **OC272487 (Butt)C.D**  
 **OC302487 (Butt)C.D**  
 **OC312487 (Butt)C.D**  
 **OC332487 BUTTC.D**
- 90" High**  
 No shelf  
 **OC272490 (Butt)C.D**  
 **OC302490 (Butt)C.D**  
 **OC312490 (Butt)C.D**  
 **OC332490 BUTTC.D**
- (CH) option unavailable

- 93" High**  
 One shelf  
 **OC272493 (Butt)C.D**  
 **OC302493 (Butt)C.D**  
 **OC312493 (Butt)C.D**  
 **OC332493 BUTTC.D**
- 96" High**  
 One shelf  
 **OC272496 (Butt)C.D**  
 **OC302496 (Butt)C.D**  
 **OC312496 (Butt)C.D**  
 **OC332496 BUTTC.D**

- Includes adjustable shelves in upper section
- Back Options (BEB and VGRB) unavailable
- Contrasting Back Options (CBEB, CPLB) unavailable
- Drawer height is 7"
- Center 10" rail can be removed for double oven application
- ☆ (CH) modifications will be made in the upper door section; appliance cutout dimensions are **not** affected
- ☆ Available with (CTR); unavailable with (TWR)
- ☆ (TKD), (VTK), (WR), (RTK) and (PTKV) unavailable on 93" & 96" high cabinets
- Toe kick is shipped separately on 93" & 96" high cabinets
- Unavailable with knife hinge door option
- Roll-out Trays are unavailable for 31 1/2" wide cabinets
- Max. (ID) is 27"
- Backless construction used in appliance opening area
- **Note:** When ordering glass doors in full overlay door styles, a portion of the 3" face frame will be visible

- PE
- APC
- APFC
- ❖ FPEB
- MI
- AD\_E
- CW
- RD
- ID
- ☆ CH
- IF
- TWR
- ☆ WR
- XS
- GD
- ☆ PTKV
- ☆ RTK
- ☆ VTK
- ☆ TKD



Best used for appliance combinations such as; microwave and single oven.



Remember to order a 3/16" skin (WSK) for the exposed ends of 93" & 96" high cabinets to conceal the seam between the loose toe kick and the cabinet. This cabinet has flush ends, therefore, Transition Molding (TRM8 or TTRM8) must be used in the application process of a Wood Skin (WSK)

### Cut out dimensions

Cabinet Width - 84", 87", 90" & 93" High	Top Section						If Top Section is Trimmed to its Max. Opening Height			If Top Section is Not Trimmed			
	Min. Width	Max. Width	Min. Height	Max. Height	Max. Trim on Top Rail	Max. Trim on Bottom Rail	Min. Height	Max. Height	Max. Trim on Top & Bottom Rail	Min. Height	Max. Height	Max. Trim on Top Rail	Max. Trim on Bottom Rail
27"	21"	25"	15"	24 1/2"	3 1/2"	6"	21 1/2"	21 1/2"	0	21 1/2"	27 1/2"	6"	0
30"	24"	28"	15"	24 1/2"	3 1/2"	6"	21 1/2"	21 1/2"	0	21 1/2"	27 1/2"	6"	0
31 1/2"	25 1/2"	29 1/2"	15"	24 1/2"	3 1/2"	6"	21 1/2"	21 1/2"	0	21 1/2"	27 1/2"	6"	0
33"	27"	31"	15"	24 1/2"	3 1/2"	6"	21 1/2"	21 1/2"	0	21 1/2"	27 1/2"	6"	0
Cabinet Width - 96" High	Min. Width	Max. Width	Min. Height	Max. Height	Max. Trim on Top Rail	Max. Trim on Bottom Rail	Min. Height	Max. Height	Max. Trim on Top & Bottom Rail	Min. Height	Max. Height	Max. Trim on Top Rail	Max. Trim on Bottom Rail
27"	21"	25"	15"	24"	3"	6"	22"	22"	0	22"	28"	6"	0
30"	24"	28"	15"	24"	3"	6"	22"	22"	0	22"	28"	6"	0
31 1/2"	25 1/2"	29 1/2"	15"	24"	3"	6"	22"	22"	0	22"	28"	6"	0
33"	27"	31"	15"	24"	3"	6"	22"	22"	0	22"	28"	6"	0

**Cut-out Top (COT) option for Oven Cabinet-Combination w/Bottom Drawer**

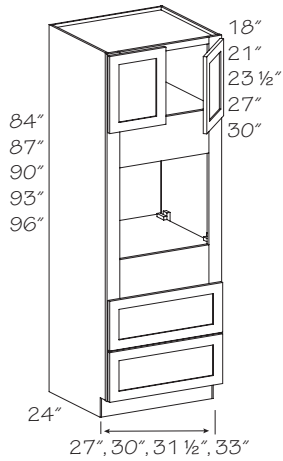
All Sections								
SKU	Min. Width	Max. Width	SKU	Min. Width	Max. Width	SKU	Min. Width	Max. Width
OC272484C.D	21"	25"	OC272490C.D	21"	25"	OC272496C.D	21"	25"
OC302484C.D	24"	28"	OC302490C.D	24"	28"	OC302496C.D	24"	28"
OC312484C.D	25 1/2"	29 1/2"	OC312490C.D	25 1/2"	29 1/2"	OC312496C.D	25 1/2"	29 1/2"
OC332484BUTTC.D	27"	31"	OC332490BUTTC.D	27"	31"	OC332496BUTTC.D	27"	31"
OC272487C.D	21"	25"	OC272493C.D	21"	25"			
OC302487C.D	24"	28"	OC302493C.D	24"	28"			
OC312487C.D	25 1/2"	29 1/2"	OC312493C.D	25 1/2"	29 1/2"			
OC332487BUTTC.D	27"	31"	OC332493BUTTC.D	27"	31"			

Cut-out Top (COT)				
Cabinet	Min. Height	Max. Height	Max Trim on Top Rail	Max Trim on Bottom Rail
OC272484C.D	15"	24 1/2"	3 1/2"	6"
OC302484C.D	15"	24 1/2"	3 1/2"	6"
OC312484C.D	15"	24 1/2"	3 1/2"	6"
OC332484BUTTC.D	15"	24 1/2"	3 1/2"	6"
OC272487C.D	15"	24 1/2"	3 1/2"	6"
OC302487C.D	15"	24 1/2"	3 1/2"	6"
OC312487C.D	15"	24 1/2"	3 1/2"	6"
OC332487BUTTC.D	15"	24 1/2"	3 1/2"	6"
OC272490C.D	15"	24 1/2"	3 1/2"	6"
OC302490C.D	15"	24 1/2"	3 1/2"	6"
OC312490C.D	15"	24 1/2"	3 1/2"	6"
OC332490BUTTC.D	15"	24 1/2"	3 1/2"	6"
OC272493C.D	15"	24 1/2"	3 1/2"	6"
OC302493C.D	15"	24 1/2"	3 1/2"	6"
OC312493C.D	15"	24 1/2"	3 1/2"	6"
OC332493BUTTC.D	15"	24 1/2"	3 1/2"	6"
OC272496C.D	15"	24"	3"	6"
OC302496C.D	15"	24"	3"	6"
OC312496C.D	15"	24"	3"	6"
OC332496BUTTC.D	15"	24"	3"	6"

Cut-out Bottom (COB) option for Oven Cabinet-Combination w/Bottom Drawer

<b>(COB) - If Bottom Cut-out section opening is cut to its Max. Opening Height</b>				
<b>SKU</b>	<b>Min. Height</b>	<b>Max. Height</b>	<b>Max Trim on Top Rail</b>	<b>Max Trim on Bottom Rail</b>
OC272484C.D	21 1/2"	21 1/2"	0	6"
OC302484C.D	21 1/2"	21 1/2"	0	6"
OC312484C.D	21 1/2"	21 1/2"	0	6"
OC332484BUTTC.D	21 1/2"	21 1/2"	0	6"
OC272487C.D	21 1/2"	21 1/2"	0	6"
OC302487C.D	21 1/2"	21 1/2"	0	6"
OC312487C.D	21 1/2"	21 1/2"	0	6"
OC332487BUTTC.D	21 1/2"	21 1/2"	0	6"
OC272490C.D	21 1/2"	21 1/2"	0	6"
OC302490C.D	21 1/2"	21 1/2"	0	6"
OC312490C.D	21 1/2"	21 1/2"	0	6"
OC332490BUTTC.D	21 1/2"	21 1/2"	0	6"
OC272493C.D	21 1/2"	21 1/2"	0	6"
OC302493C.D	21 1/2"	21 1/2"	0	6"
OC312493C.D	21 1/2"	21 1/2"	0	6"
OC332493BUTTC.D	21 1/2"	21 1/2"	0	6"
OC272496C.D	22"	22"	0	6"
OC302496C.D	22"	22"	0	6"
OC312496C.D	22"	22"	0	6"
OC332496BUTTC.D	22"	22"	0	6"

## Oven Cabinet-Single w/3" Stiles - Two Bottom Drawers



Cut out dimensions

Cabinet Width	Min. Width	Max. Width	Min. Height	Max. Height
27"	21"	25"	21"	33 13/16"
30"	24"	28"	21"	33 13/16"
31 1/2"	25 1/2"	29 1/2"	21"	33 13/16"
33"	27"	31"	21"	33 13/16"

84" High

No shelf

**OC272484 (Butt)S.2D**

**OC302484 (Butt)S.2D**

**OC312484 (Butt)S.2D**

**OC332484 BUTTS.2D**

87" High

One shelf

**OC272487 (Butt)S.2D**

**OC302487 (Butt)S.2D**

**OC312487 (Butt)S.2D**

**OC332487 BUTTS.2D**

90" High

One shelf

**OC272490 (Butt)S.2D**

**OC302490 (Butt)S.2D**

**OC312490 (Butt)S.2D**

**OC332490 BUTTS.2D**

93" High

One shelf

**OC272493 (Butt)S.2D**

**OC302493 (Butt)S.2D**

**OC312493 (Butt)S.2D**

**OC332493 BUTTS.2D**

96" High

Two shelves

**OC272496 (Butt)S.2D**

**OC302496 (Butt)S.2D**

**OC312496 (Butt)S.2D**

**OC332496 BUTTS.2D**

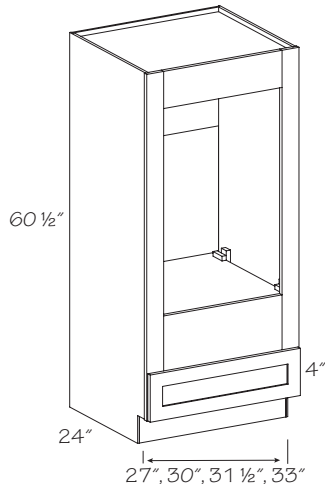
- Includes adjustable shelves in upper section
- Oven Trim Kit (overlay panel) available for a full overlay look
- ☆ (CH) modifications will be made in the upper door section; appliance cutout dimensions are **not** affected
- ☆ Available with (CTR); unavailable with (TWR)
- ☆ (TKD), (VTK), (WR), (RTK) and (PTKV) unavailable on 93" & 96" high cabinets
- Unavailable with knife hinge door option
- (MIFA) option is available
- Roll-out Trays are unavailable for 31 1/2" wide cabinets
- ☆ Max. (ID) is 27"
- ☆ Glass doors available for top doors only
- Drawer heights are 7"
- Backless construction used in appliance opening area
- **Note:** When ordering glass doors in full overlay door styles, a portion of the 3" face frame will be visible

●	PE
●	APC
●	APFC
●	FPEB
●	MI
●	AD_E
●	CW
●	RD
☆	ID
☆	CH
☆	IF
☆	TWR
☆	WR
●	XS
☆	GD
☆	PTKV
☆	RTK
☆	VTK
☆	TKD

## Cut-out Single (COS) option for Oven Cabinet-Single w/3" Stiles - Two Bottom Drawers

Cabinet	Min. Width	Max. Width	Min. Height	Max. Height	Max Trim on Top Rail	Max Trim on Bottom Rail
<b>OC272484S.2D</b>	21"	25"	21"	33 13/16"	7 1/2"	5 5/16"
<b>OC302484S.2D</b>	24"	28"	21"	33 13/16"	7 1/2"	5 5/16"
<b>OC312484S.2D</b>	25 1/2"	29 1/2"	21"	33 13/16"	7 1/2"	5 5/16"
<b>OC332484BUTTS.2D</b>	27"	31"	21"	33 13/16"	7 1/2"	5 5/16"
<b>OC272487S.2D</b>	21"	25"	21"	33 13/16"	7 1/2"	5 5/16"
<b>OC302487S.2D</b>	24"	28"	21"	33 13/16"	7 1/2"	5 5/16"
<b>OC312487S.2D</b>	25 1/2"	29 1/2"	21"	33 13/16"	7 1/2"	5 5/16"
<b>OC332487BUTTS.2D</b>	27"	31"	21"	33 13/16"	7 1/2"	5 5/16"
<b>OC272490S.2D</b>	21"	25"	21 1/2"	34 13/16"	7 1/2"	5 5/16"
<b>OC302490S.2D</b>	24"	28"	21 1/2"	34 13/16"	7 1/2"	5 5/16"
<b>OC312490S.2D</b>	25 1/2"	29 1/2"	21 1/2"	34 13/16"	7 1/2"	5 5/16"
<b>OC332490BUTTS.2D</b>	27"	31"	21 1/2"	34 13/16"	7 1/2"	5 5/16"
<b>OC272493S.2D</b>	21"	25"	21"	33 13/16"	7 1/2"	5 5/16"
<b>OC302493S.2D</b>	24"	28"	21"	33 13/16"	7 1/2"	5 5/16"
<b>OC312493S.2D</b>	25 1/2"	29 1/2"	21"	33 13/16"	7 1/2"	5 5/16"
<b>OC332493BUTTS.2D</b>	27"	31"	21"	33 13/16"	7 1/2"	5 5/16"
<b>OC272496S.2D</b>	21"	25"	21"	33 13/16"	7 1/2"	5 5/16"
<b>OC302496S.2D</b>	24"	28"	21"	33 13/16"	7 1/2"	5 5/16"
<b>OC312496S.2D</b>	25 1/2"	29 1/2"	21"	33 13/16"	7 1/2"	5 5/16"
<b>OC332496BUTTS.2D</b>	27"	31"	21"	33 13/16"	7 1/2"	5 5/16"

## Oven Cabinet–Single Oven/Microwave Combination w/3” Stiles–Bottom Drawer

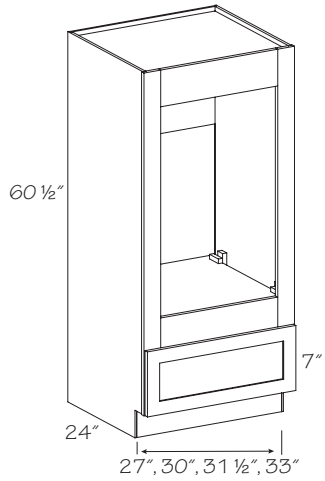


4" High Drawer  
**OC272460 (Butt)**  
**OC302460 (Butt)**  
**OC312460 (Butt)**  
**OC332460**

7" High Drawer  
**OC272460 (Butt).DD**  
**OC302460 (Butt).DD**  
**OC312460 (Butt).DD**  
**OC332460 .DD**

- No shelf
- Oven Trim Kit (overlay panel) available for a full overlay look
- Double Oven Opening Kit shelf available for two appliance installation
- ☆ (CH) modifications will be made in the upper door section; appliance cutout dimensions are **not** affected
- Unavailable with knife hinge door option
- Roll-out Trays are unavailable for 31 1/2" wide cabinets
- (MIFA) option is available
- ☆ Max. (ID) is 27"
- Backless construction used in appliance opening area

- PE
- APC
- APFC
- FPFB
- MI
- AD\_E
- ❖ CW
- RD
- ☆ ID
- ☆ CH
- IF
- TWR
- WR
- XS
- GD
- PTKV
- RTK
- VTK
- TKD



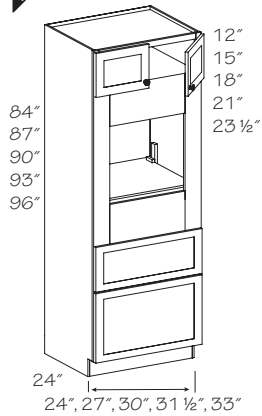
Cut out dimensions

Cabinet Width	4" Bottom Drawer		7" Bottom Drawer		7" Bottom Drawer	
	Min. Width	Max. Width	Min. Height	Max. Height	Min. Height	Max. Height
27"	21"	25"	33 1/2"	44"	34 1/2"	41"
30"	24"	28"	33 1/2"	44"	34 1/2"	41"
31 1/2"	25 1/2"	29 1/2"	33 1/2"	44"	34 1/2"	41"
33"	27"	31"	33 1/2"	44"	34 1/2"	41"

## Cut-out Single (COS) option for Oven Cabinet–Single Oven/Microwave Combination w/3” Stiles - Bottom Drawer

Cabinet	Min. Width	Max. Width	Min. Height	Max. Height	Max Trim on Top Rail	Max Trim on Bottom Rail
OC272460	21"	25"	33 1/2"	44"	4 1/2"	6"
OC302460	24"	28"	33 1/2"	44"	4 1/2"	6"
OC312460	25 1/2"	29 1/2"	33 1/2"	44"	4 1/2"	6"
OC332460	27"	31"	33 1/2"	44"	4 1/2"	6"
OC272460.DD	21"	25"	34 1/2"	41"	4 1/2"	3"
OC302460.DD	24"	28"	34 1/2"	41"	4 1/2"	3"
OC312460.DD	25 1/2"	29 1/2"	34 1/2"	41"	4 1/2"	3"
OC332460.DD	27"	31"	34 1/2"	41"	4 1/2"	3"

New



### Oven Cabinet-Single w/3" Stiles - Vertical Bakeware Storage

- 84" high**  
 No shelf  
 ○  **OC242484 (Butt)S.VBS**  
 **OC272484 (Butt)S.VBS**  
 **OC302484 (Butt)S.VBS**  
 **OC312484 (Butt)S.VBS**  
 **OC332484 (Butt)S.VBS**

- 87" high**  
 No shelf  
 ○ **OC242487 (Butt)S.VBS**  
**OC272487 (Butt)S.VBS**  
**OC302487 (Butt)S.VBS**  
**OC312487 (Butt)S.VBS**  
**OC332487 (Butt)S.VBS**

- 90" high**  
 No shelf  
 ○ **OC242490 (Butt)S.VBS**  
**OC272490 (Butt)S.VBS**  
**OC302490 (Butt)S.VBS**  
**OC312490 (Butt)S.VBS**  
**OC332490 (Butt)S.VBS**

- 93" high**  
 One shelf  
 ○ **OC242493 (Butt)S.VBS**  
**OC272493 (Butt)S.VBS**  
**OC302493 (Butt)S.VBS**  
**OC312493 (Butt)S.VBS**  
**OC332493 (Butt)S.VBS**

- 96" high**  
 One shelf  
 ○ **OC242496 (Butt)S.VBS**  
**OC272496 (Butt)S.VBS**  
**OC302496 (Butt)S.VBS**  
**OC312496 (Butt)S.VBS**  
**OC332496 (Butt)S.VBS**

- (CW) option unavailable
- (CH) option unavailable
- ▲ (CTR) is unavailable

Grey color coding indicates new product, size or code.

- Includes adjustable shelves in upper section
- Oven Trim Kit (overlay panel) available for a full overlay look
- 7" high solid wood top drawer box
- 10" high solid wood bottom drawer box with Adjustable Drawer Divider standard; supplied with four (4) dividers. Additional dividers available separately
- ☆ (CH) modifications will be made in the upper door section; appliance cutout dimensions are **not** affected
- ☆ (TKD), (VTK), (PTKV), (WR) and (RTK) unavailable on 93" & 96" high cabinets
- ☆ (MIFA) option is available
- Unavailable with knife hinge door option
- ☆ Max. (ID) is 27"
- 24" wide cabinets have 1 1/2" frame stiles
- ☆ Available with (CTR); unavailable with (TWR)

- PE
- APC
- APFC
- FPFB
- ☆ MI
- AD\_E
- ☆ CW
- RD
- ☆ ID
- ☆ CH
- IF
- ☆ TWR
- ☆ WR
- XS
- GD
- ☆ PTKV
- ☆ RTK
- ☆ VTK
- ☆ TKD

Oven Cabinet Cutout Chart

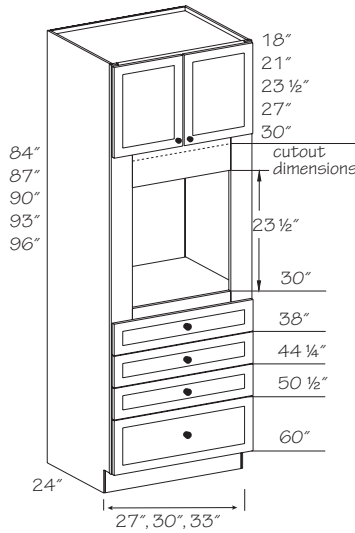
Cabinet Width	Cabinet Height	Min. Width	Max. Width	Min. Height	Max. Height
24"	84", 87", 90", 93"	21"	22"	20"	33 13/16"
24"	96"	21"	22"	20 1/2"	34 5/16"
27"	84", 87", 90", 93"	21"	25"	20"	33 13/16"
27"	96"	21"	25"	20 1/2"	34 5/16"
30"	84", 87", 90", 93"	24"	28"	20"	33 13/16"
30"	96"	24"	28"	20 1/2"	34 5/16"
31 1/2"	84", 87", 90", 93"	25 1/2"	29 1/2"	20"	33 13/16"
31 1/2"	96"	25 1/2"	29 1/2"	20 1/2"	34 5/16"
33"	84", 87", 90", 93"	27"	31"	20"	33 13/16"
33"	96"	27"	31"	20 1/2"	34 5/16"



Cut-out Single (COS) option for Oven Cabinet-Single w/3" Stiles - Vertical Bakeware Storage

Cut-out Single (COS) option for Oven Cabinet-Single w/3" Stiles - Vertical Bakeware Storage						
SKU	Min. Width	Max Width	Min. Height	Max Height	Max Trim on top Rail	Max Trim on Bottom Rail
OC242484S.VBS	21"	22"	20"	34"	8"	6"
OC242487S.VBS	21"	22"	20"	34"	8"	6"
OC242490S.VBS	21"	22"	20"	34"	8"	6"
OC242493S.VBS	21"	22"	20"	34"	8"	6"
OC242496S.VBS	21"	22"	20 1/2"	34 1/2"	8"	6"
OC272484S.VBS	21"	25"	20"	34"	8"	6"
OC272487S.VBS	21"	25"	20"	34"	8"	6"
OC272490S.VBS	21"	25"	20"	34"	8"	6"
OC272493S.VBS	21"	25"	20"	34"	8"	6"
OC272496S.VBS	21"	25"	20 1/2"	34 1/2"	8"	6"
OC302484S.VBS	24"	28"	20"	34"	8"	6"
OC302487S.VBS	24"	28"	20"	34"	8"	6"
OC302490S.VBS	24"	28"	20"	34"	8"	6"
OC302493S.VBS	24"	28"	20"	34"	8"	6"
OC302496S.VBS	24"	28"	20 1/2"	34 1/2"	8"	6"
OC312484S.VBS	25 1/2"	29 1/2"	20"	34"	8"	6"
OC312487S.VBS	25 1/2"	29 1/2"	20"	34"	8"	6"
OC312490S.VBS	25 1/2"	29 1/2"	20"	34"	8"	6"
OC312493S.VBS	25 1/2"	29 1/2"	20"	34"	8"	6"
OC312496S.VBS	25 1/2"	29 1/2"	20 1/2"	34 1/2"	8"	6"
OC332484S.VBS	27"	31"	20"	34"	8"	6"
OC332487S.VBS	27"	31"	20"	34"	8"	6"
OC332490S.VBS	27"	31"	20"	34"	8"	6"
OC332493S.VBS	27"	31"	20"	34"	8"	6"
OC332496S.VBS	27"	31"	20 1/2"	34 1/2"	8"	6"

## Oven Cabinet - Universal



- 84" High  
No shelves  
+ **OC272484 (Butt)U**  
▲ **OC302484 BUTTU**  
▲ **OC332484 BUTTU**
- 87" High  
No shelves  
+ **OC272487 (Butt)U**  
▲ **OC302487 BUTTU**  
▲ **OC332487 BUTTU**
- 90" High  
One shelf  
+ **OC272490 (Butt)U**  
▲ **OC302490 BUTTU**  
▲ **OC332490 BUTTU**
- + 3" stiles  
▲ 4 1/2" stiles routed to 1 1/2" in the door area
- 93" High  
One shelf  
+ **OC272493 (Butt)U**  
▲ **OC302493 BUTTU**  
▲ **OC332493 BUTTU**
- 96" High  
Two shelves  
+ **OC272496 (Butt)U**  
▲ **OC302496 BUTTU**  
▲ **OC332496 BUTTU**

Cut out dimensions

Cabinet Width	Min. Width	Max. Width	1/2" Overlay		Full Overlay
			Min. Height	Max. Height	Max. Height
27"	21"	25"	23 1/2"	31"	30"
30"	21"	28"	23 1/2"	31"	30"
33"	24"	31"	23 1/2"	31"	30"

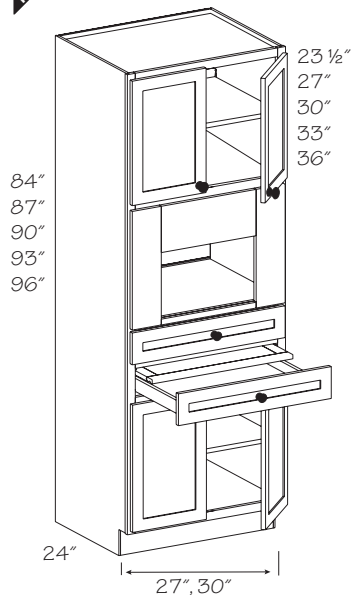
- Includes adjustable shelves in upper section
- Adjustable floor
- Three standard height drawers
- Drawers are removable to accommodate increased oven height
- Oven Trim Kit (overlay panel) available for a full overlay look
- ☆ (CH) modifications will be made in the upper door section; appliance cutout dimensions are *not* affected
- ☆ Available with (CTR); unavailable with (TWR)
- ☆ (TKD), (VTK), (WR), (RTK) and (PTKV) unavailable on 93" & 96" high cabinets
- Toe kick is shipped separately on 93" & 96" high cabinets
- One deep drawer
- Oven cutout requires 1 1/2" less than max. allowable cutout in order to use Oven Trim Kit
- ☆ Max. (ID) is 27"
- Backless construction used in appliance opening area



Most major appliance manufacturers will tell you that their 27" wide ovens will fit into a 27" oven cabinet and their 30" wide ovens will fit into a 30" cabinet. In most cases this is true. However, the look this creates may not be appealing because the stiles will be concealed by the appliance. To solve this problem, you can order a 30" oven cabinet for a 27" oven and a 33" oven cabinet for a 30" oven, etc.

- PE
- APC
- APFC
- FPFB
- MI
- AD\_E
- CW
- RD
- ID
- ☆ CH
- ☆ IF
- ☆ TWR
- ☆ WR
- XS
- GD
- ☆ PTKV
- ☆ RTK
- ☆ VTK
- ☆ TKD

New



### Microwave Cooking Center w/Flush Bottom

- 84" High  
FMCC272484 (Butt)  
FMCC302484 BUTT
- 87" High  
FMCC272487 (Butt)  
FMCC302487 BUTT
- 90" High  
FMCC272490 (Butt)  
FMCC302490 BUTT
- 93" High  
FMCC272493 (Butt)  
FMCC302493 BUTT
- 96" High  
FMCC272496 (Butt)  
FMCC302496 BUTT

Grey color coding indicates new product, size or code.

- Floor will be flush with frame rails in the appliance sections
- One adjustable shelf in lower section
- One standard drawer and one cutting center
- Includes adjustable shelves in upper section: 84" & 87" high-one shelf; 90" & 93" high-two shelves; 96" high-three shelves
- Pull-out cutting board installed
- Top drawer will be slab, including DRPD, on all full-overlay door styles except Ralden, Somersworth and Thornton which will be five-piece
- ☆ (CH) modifications will be made in the upper door section; appliance cutout dimensions are **not** affected
- ☆ (TKD), (WR), (RTK) and (PTKV) unavailable on 93" & 96" high cabinets
- ☆ (VTK) is unavailable on 93" and 96" high cabinets
- Toe kick is shipped separately on 93" & 96" high cabinets
- ☆ Glass on top and bottom on select (GD) designs only
- Backless construction used in appliance opening area

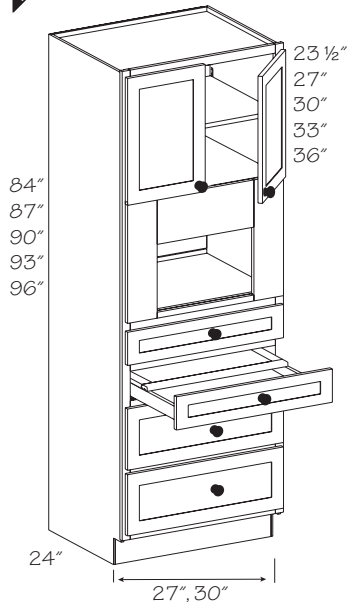
- PE
- APC
- APFC
- FPEB
- MI
- AD\_E
- CW
- RD
- ID
- ☆ CH
- IF
- TWR
- ☆ WR
- XS
- ☆ GD
- ☆ PTKV
- ☆ RTK
- ☆ VTK
- ☆ TKD



Remember to order a 3/16" skin (WSK) for the exposed ends of 93" & 96" high cabinets to conceal the seam between the loose toe kick and the cabinet.

Cabinet	1/2" Overlay						Full Overlay					
	Cut out dimensions				Yoke sizes		Cut out dimensions				Yoke sizes	
	Min. Width	Max. Width	Min. Height	Max. Height	Yoke Width	Yoke Height	Min. Width	Max. Width	Min. Height	Max. Height	Yoke Width	Yoke Height
FMCC272484	14"	22"	11 1/2"	17 1/2"	25"	20 1/2"	15 5/8"	23 5/8"	11 5/8"	18 1/8"	26 5/8"	21 1/8"
FMCC272487/90/93/96	14"	22"	11"	17"	25"	20"	15 5/8"	23 5/8"	11 3/8"	17 7/8"	26 5/8"	20 7/8"
FMCC302484	14"	25"	11 1/2"	17 1/2"	28"	20 1/2"	18 5/8"	26 5/8"	11 5/8"	18 1/8"	29 5/8"	21 1/8"
FMCC302487/90/93/96	17"	25"	11"	11"	28"	20"	18 5/8"	26 5/8"	11 3/8"	17 7/8"	29 5/8"	20 7/8"

New



### Microwave Cooking Center Drawer Storage w/Flush Bottom

84" High  
**FMCCD272484 (Butt)**  
**FMCCD302484 BUTT**

87" High  
**FMCCD272487 (Butt)**  
**FMCCD302487 BUTT**

90" High  
**FMCCD272490 (Butt)**  
**FMCCD302490 BUTT**

93" High  
**FMCCD272493 (Butt)**  
**FMCCD302493 BUTT**

96" High  
**FMCCD272496 (Butt)**  
**FMCCD302496 BUTT**

Grey color coding indicates new product, size or code.

- Floor will be flush with frame rails in the appliance sections
- Two 7" deep drawers, one 2 1/4" drawer with Cutting Center above and one standard 4" drawer
- Includes adjustable shelves in upper section: 84" & 87" high-one shelf; 90" & 93" high-two shelves; 96" high-three shelves
- ☆ (CH) modifications will be made in the upper door section; appliance cutout dimensions are **not** affected
- ☆ (TKD), (WR), (RTK) and (PTKV) unavailable on 93" & 96" high cabinets
- ☆ (VTK) is unavailable on 93" and 96" high cabinets
- Toe kick is shipped separately on 93" & 96" high cabinets
- Backless construction used in appliance opening area

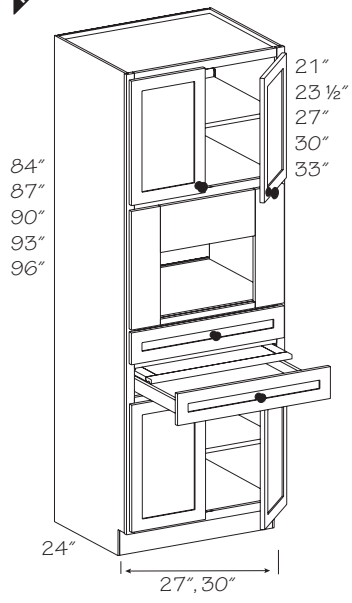


Remember to order a 3/16" skin (WSK) for the exposed ends of 93" & 96" high cabinets to conceal the seam between the loose toe kick and the cabinet.

- PE
- APC
- APFC
- FPFB
- MI
- AD\_E
- CW
- RD
- ID
- ☆ CH
- IF
- TWR
- ☆ WR
- XS
- GD
- ☆ PTKV
- ☆ RTK
- ☆ VTK
- ☆ TKD

Cabinet	1/2" Overlay						Full Overlay					
	Cut out dimensions				Yoke sizes		Cut out dimensions				Yoke sizes	
	Min. Width	Max. Width	Min. Height	Max. Height	Yoke Width	Yoke Height	Min. Width	Max. Width	Min. Height	Max. Height	Yoke Width	Yoke Height
FMCCD272484	14"	22"	11 1/2"	17 1/2"	25"	18 1/2"	15 5/8"	23 5/8"	11 5/8"	18 1/8"	26 5/8"	19 1/8"
FMCCD272487/90/93/96	14"	22"	11"	17"	25"	18"	15 5/8"	23 5/8"	11 3/8"	17 7/8"	26 5/8"	18 5/8"
FMCCD302484	17"	25"	11 1/2"	17 1/2"	28"	18 1/2"	18 5/8"	26 5/8"	11 5/8"	18 1/8"	29 5/8"	19 1/8"
FMCCD302487/90/93/96	17"	25"	11"	17"	28"	18"	18 5/8"	26 5/8"	11 3/8"	17 7/8"	29 5/8"	18 5/8"

New



### Microwave Cooking Center-Extended Opening w/Flush Bottom

Opening Trimmable to: 22" x 21 1/2"  
**FMCCE272484 (Butt)**  
**FMCCE272487 (Butt)**  
**FMCCE272490 (Butt)**  
**FMCCE272493 (Butt)**  
**FMCCE272496 (Butt)**

Opening Trimmable to: 25" x 21 1/2"  
**FMCCE302484 BUTT**  
**FMCCE302487 BUTT**  
**FMCCE302490 BUTT**  
**FMCCE302493 BUTT**  
**FMCCE302496 BUTT**

Grey color coding indicates new product, size or code.

- PE
- APC
- APFC
- FPFB
- MI
- AD\_E
- CW
- RD
- ID
- ☆ CH
- IF
- TWR
- ☆ WR
- XS
- ☆ GD
- ☆ PTKV
- ☆ RTK
- ☆ VTK
- ☆ TKD

- Floor will be flush with frame rails in the appliance sections
- One adjustable shelf in bottom section
- Two 7" deep drawers, one 2 1/4" drawer with Cutting Center (CC) above
- Includes adjustable shelves in upper section: 84" & 87" high-one shelf; 90" & 93" high-two shelves; 96" high-three shelves
- Top drawer will be slab, including DRPD, on all full-overlay door styles except Ralden, Somersworth and Thornton which will be five-piece
- ☆ (CH) modifications will be made in the upper door section; appliance cutout dimensions are **not** affected
- ☆ (TKD), (WR), (RTK) and (PTKV) unavailable on 93" & 96" high cabinets
- ☆ (VTK) is unavailable on 93" and 96" high cabinets
- Toe kick is shipped separately on 93" & 96" high cabinets
- ☆ Glass on top and bottom on select (GD) designs only
- Backless construction used in appliance opening area

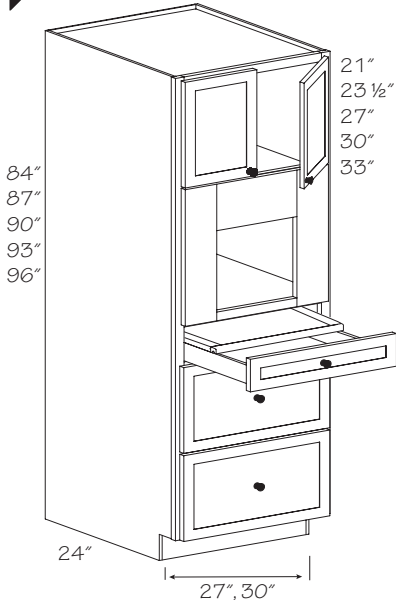


Remember to order a 3/16" skin (WSK) for the exposed ends of 93" & 96" high cabinets to conceal the seam between the loose toe kick and the cabinet.

Cabinet	1/2" Overlay						Full Overlay					
	Cut out dimensions				Yoke sizes		Cut out dimensions				Yoke sizes	
	Min. Width	Max. Width	Min. Height	Max. Height	Yoke Width	Yoke Height	Min. Width	Max. Width	Min. Height	Max. Height	Yoke Width	Yoke Height
<b>FMCCE272484</b>	18"	22"	15 1/16"	17"	25"	24"	19 5/8"	23 5/8"	15 1/16"	17"	26 5/8"	24"
<b>FMCCE272487</b>	18"	22"	14 9/16"	16 1/2"	25"	23 1/2"	19 5/8"	23 5/8"	15 9/16"	17 1/2"	26 5/8"	24 1/2"
<b>FMCCE272490/93</b>	18"	22"	14 9/16"	16 1/2"	25"	23 1/2"	19 5/8"	23 5/8"	15 1/16"	17"	26 5/8"	24"
<b>FMCCE272496</b>	18"	22"	14 9/16"	16 1/2"	25"	23 1/2"	19 5/8"	23 5/8"	14 11/16"	16 5/8"	26 5/8"	23 5/8"
<b>FMCCE302484</b>	21"	25"	15 1/16"	16 1/2"	28"	24"	22 5/8"	26 5/8"	15 1/16"	17"	29 5/8"	24"
<b>FMCCE302487</b>	21"	25"	14 9/16"	17"	28"	23 1/2"	22 5/8"	26 5/8"	15 9/16"	17 1/2"	29 5/8"	24 1/2"
<b>FMCCE302490/93</b>	21"	25"	14 9/16"	16 1/2"	28"	23 1/2"	22 5/8"	26 5/8"	15 1/16"	17"	29 5/8"	24"
<b>FMCCE302496</b>	21"	25"	14 9/16"	16 1/2"	28"	23 1/2"	22 5/8"	26 5/8"	14 11/16"	16 5/8"	29 5/8"	23 5/8"

Tall Cabinets

New



### Microwave Cooking Center Drawer Storage-Extended Opening w/Flush Bottom

Opening Trimmable to: 22" x 19 1/2"  
**FMCCDE272484 (Butt)**  
**FMCCDE272487 (Butt)**  
**FMCCDE272490 (Butt)**  
**FMCCDE272493 (Butt)**  
**FMCCDE272496 (Butt)**

Opening Trimmable to: 25" x 19 1/2"  
**FMCCDE302484 BUTT**  
**FMCCDE302487 BUTT**  
**FMCCDE302490 BUTT**  
**FMCCDE302493 BUTT**  
**FMCCDE302496 BUTT**

Grey color coding indicates new product, size or code.

- Floor will be flush with frame rails in the appliance sections
- One adjustable shelf in bottom section
- One standard drawer and one cutting center
- Includes adjustable shelves in upper section: 84" & 87" high-one shelf; 90" & 93" high-two shelves; 96" high-three shelves
- Pull-out cutting board installed
- Top drawer will be slab, including DRPD, on all full-overlay door styles except Ralden, Somersworth and Thornton which will be five-piece
- ☆ (CH) modifications will be made in the upper door section; appliance cutout dimensions are **not** affected
- ☆ (TKD), (WR), (RTK) and (PTKV) unavailable on 93" & 96" high cabinets
- ☆ (VTK) is unavailable on 93" and 96" high cabinets
- Toe kick is shipped separately on 93" & 96" high cabinets
- ☆ Glass on top and bottom on select (GD) designs only
- Backless construction used in appliance opening area

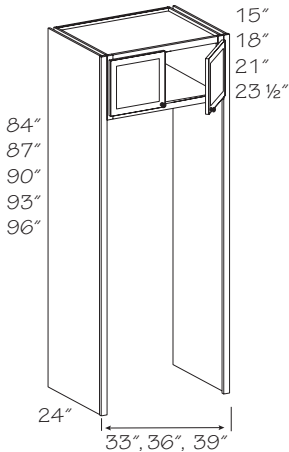
- PE
- APC
- APFC
- FPFB
- MI
- AD\_E
- CW
- RD
- ID
- ☆ CH
- IF
- TWR
- ☆ WR
- XS
- ☆ GD
- ☆ PTKV
- ☆ RTK
- ☆ VTK
- ☆ TKD



Remember to order a 3/16" skin (WSK) for the exposed ends of 93" & 96" high cabinets to conceal the seam between the loose toe kick and the cabinet.

Cabinet	1/2" Overlay						Full Overlay					
	Cut out dimensions				Yoke sizes		Cut out dimensions				Yoke sizes	
	Min. Width	Max. Width	Min. Height	Max. Height	Yoke Width	Yoke Height	Min. Width	Max. Width	Min. Height	Max. Height	Yoke Width	Yoke Height
<b>FMCCDE272484</b>	14"	22"	11"	17 1/2"	25"	21 1/2"	15 5/8"	23 5/8"	12 1/8"	19 3/8"	26 5/8"	21 1/8"
<b>FMCCDE272487/90/93/96</b>	14"	22"	10 1/4"	16 3/4"	25"	21 1/2"	15 5/8"	23 5/8"	12 1/8"	18 7/8"	26 5/8"	21 1/8"
<b>FMCCDE302484</b>	17"	25"	11"	17 1/2"	28"	21 1/2"	18 5/8"	26 5/8"	12 1/8"	19 3/8"	29 5/8"	21 1/8"
<b>FMCCDE302487/90/93/96</b>	17"	25"	10 1/4"	16 3/4"	28"	21 1/2"	18 5/8"	26 5/8"	12 1/8"	18 7/8"	29 5/8"	21 1/8"

### Refrigerator Tall Cabinet



84" High  
**RTC332484 BUTT**  
**RTC362484 BUTT**  
**RTC392484 BUTT**

87" High  
**RTC332487 BUTT**  
**RTC362487 BUTT**  
**RTC392487 BUTT**

90" High  
**RTC332490 BUTT**  
**RTC362490 BUTT**  
**RTC392490 BUTT**

93" High  
**RTC332493 BUTT**  
**RTC362493 BUTT**  
**RTC392493 BUTT**

96" High  
**RTC332496 BUTT**  
**RTC362496 BUTT**  
**RTC392496 BUTT**

Inside dimensions - W" x H"  
 30" x 69"  
 33" x 69"  
 36" x 69"

30" x 72"  
 33" x 72"  
 36" x 72"

30" x 72"  
 33" x 72"  
 36" x 72"

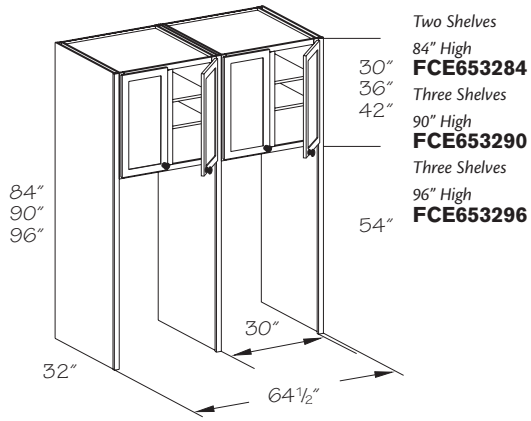
30" x 72"  
 33" x 72"  
 36" x 72"

30" x 72 1/2"  
 33" x 72 1/2"  
 36" x 72 1/2"

- One adjustable shelf included in 96" high cabinets
- Interior of end panels are Natural Birch vinyl
- ☆ Max. (ID) is 27"
- Shipped in two packages

- PE
- APC
- APFC
- FPFB
- ☆ MI
- AD\_E
- CW
- RD
- ☆ ID
- CH
- IF
- TWR
- WR
- XS
- GD
- PTKV
- RTK
- VTK
- TKD

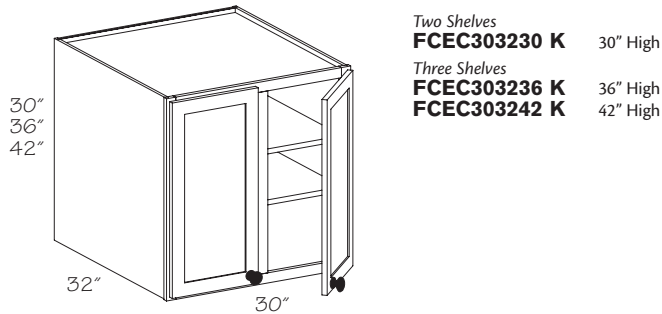
### Fabric Care Ensemble



- All components shipped separately
- Unable to use as a freestanding unit
- Unavailable with (MSW)

- PE
- APC
- APFC
- FPFB
- MI
- AD\_E
- CW
- RD
- ID
- CH
- IF
- TWR
- WR
- XS
- GD
- PTKV
- RTK
- VTK
- TKD

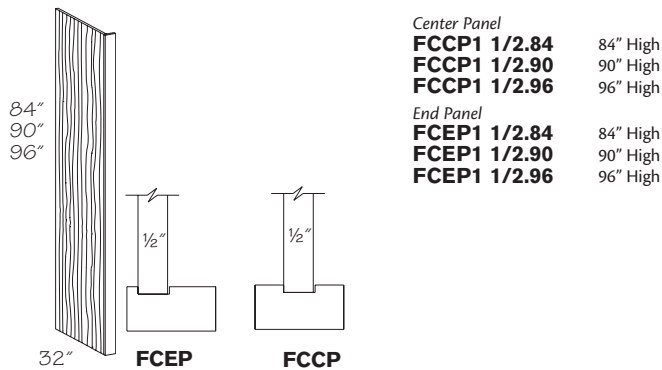
### Fabric Care Ensemble Cabinet



- Fabric Care Ensemble Cabinets (FCEC) can only be used with the Fabric Care Ensemble
- Install as part of the Fabric Care Ensemble for warranty coverage
- Unavailable with (MSW)

- PE
- APC
- APFC
- FPFB
- MI
- AD\_E
- CW
- RD
- ID
- CH
- IF
- TWR
- WR
- XS
- GD
- PTKV
- RTK
- VTK
- TKD

### Fabric Care Ensemble Panels



- Vinyl panels
- Painted hardwood supplied for EverCore®

- PE
- APC
- APFC
- FPFB
- ❖ MI
- AD\_E
- CW
- RD
- ID
- CH
- IF
- TWR
- WR
- XS
- GD
- PTKV
- RTK
- VTK
- TKD

# Tall Panels

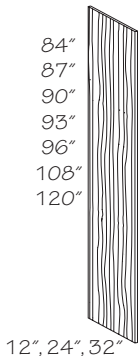
## Construction Options and Modifications

- ❖ Included as standard
- Available with an upcharge
- ☆ Available with exceptions
- (Blank) Unavailable

- PE Plywood Ends
- APC All Plywood Construction
- APFC All Plywood Furniture Construction
- FPEB Furniture Plywood Ends
- MI Matching Interior
- DE Integrated Decorative End
- AD\_E Attached Decorative End
- CW Change Width
- RD Reduced Depth
- ID Increased Depth
- CH Change Height
- WR Wide Bottom Rail
- VTK Void Toe Kick

Material dimensions listed may vary slightly from actual dimensions of the product. Specifications subject to change without notice.

### Tall End Panel



- Vinyl  
12" Wide, 3/4" Thick
- **VTEP1284**
  - **VTEP1287**
  - **VTEP1290**
  - **VTEP1293**
  - **VTEP1296**

- Vinyl  
24" Wide, 3/4" Thick
- **VTEP84**
  - **VTEP87**
  - **VTEP90**
  - **VTEP93**
  - **VTEP96**

- Vinyl  
32" Wide, 3/4" Thick
- **DVTEP84**
  - **DVTEP87**
  - **DVTEP90**
  - **DVTEP93**
  - **DVTEP96**

- Wood Veneer  
12" Wide, 13/16" Thick
- ▲ **WTEP1284**
  - ▲ **WTEP1287**
  - ▲ **WTEP1290**
  - ▲ **WTEP1293**
  - ▲ **WTEP1296**

- Wood Veneer  
24" Wide, 13/16" Thick
- ▲ **WTEP84**
  - ▲ **WTEP87**
  - ▲ **WTEP90**
  - ▲ **WTEP93**
  - ▲ **WTEP96**

- Wood Veneer  
25 1/2" Wide, 13/16" Thick
- ▲ **WTEP2584**
  - ▲ **WTEP2587**
  - ▲ **WTEP2590**
  - ▲ **WTEP2593**
  - ▲ **WTEP2596**

- Wood Veneer  
12" Wide, 11/16" Thick
- **WTEP12108**
  - **WTEP12120**

- Wood Veneer  
24" Wide, 11/16" Thick
- **WTEP108**
  - **WTEP120**

- Wood Veneer  
25 1/2" Wide, 11/16" Thick
- **WTEP25108**
  - **WTEP25120**

- Wood Veneer  
32" Wide, 13/16" Thick
- ▲ **DWTEP84**
  - ▲ **DWTEP87**
  - ▲ **DWTEP90**
  - ▲ **DWTEP93**
  - ▲ **DWTEP96**

- Wood Veneer  
32" Wide, 11/16" Thick
- **DWTEP108**
  - **DWTEP120**

- Quartersawn door styles are supplied plain sawn
- ▲ Quartersawn wood veneer supplied for Quartersawn Oak door styles

Grey color coding indicates new product, size or code.

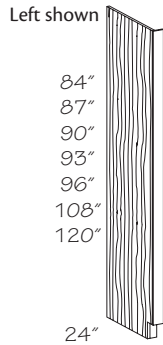
- Finished to match exterior both sides
- Front edge banded to match
- ☆ APC is available for wood veneer panels only; APC is standard on 108" and 120" panels
- ☆ APC panel is 11/16" thick
- Wood veneer panels supplied as painted hardwood for EverCore™ and Thermofoil door styles
- Wood veneer panels supplied as painted or stained stained hardwood for Wood-Grain Foil door styles
- Crafted door styles supplied as plain sawn wood



When using 48"-54" high cabinets or tall stacked cabinet combinations, remember to supply the best height Tall End Panel for your design needs. Both 108" and 120" panels can be field cut to height requirements of your design

PE
☆ APC
APFC
FPEB
MI
DE
AD_E
● CW
RD
ID
● CH
WR
VTK





### Tall End Panel w/Stile

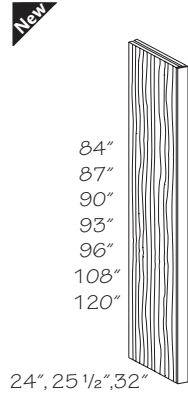
- 84" High  
**TEP1 1/2.84 R or L**  
**TEP3.84 R or L**
- 87" High  
**TEP1 1/2.87 R or L**  
**TEP3.87 R or L**
- 90" High  
**TEP1 1/2.90 R or L**  
**TEP3.90 R or L**
- 93" High  
**TEP1 1/2.93 R or L**  
**TEP3.93 R or L**

- 96" High  
**TEP1 1/2.96 R or L**  
**TEP3.96 R or L**
- 108" High  
**TEP1 1/2.108 R or L**  
**TEP3.108 R or L**
- 120" High  
**TEP1 1/2.120 R or L**  
**TEP3.120 R or L**

- ★ (MIAPFC) standard on these sizes only
- † (AD\_E) option unavailable
- ◆ Unavailable with (DE)

- Specify R or L
- Toe kick shipped attached
- Exterior finished to match, interior is Natural Birch vinyl and machined to match a cabinet end panel
- Quartersawn door styles are supplied plain sawn
- Crafted door styles will be supplied in plain sawn wood
- Painted hardwood supplied for EverCore®
- Painted or Stained hardwood supplied for Wood-Grain Foil door styles
- ☆ Max. (ID) is 27"

- PE
- APC
- APFC
- FPFB
- ☆ MI
- ☆ DE
- ☆ AD\_E
- CW
- RD
- ☆ ID
- CH
- WR
- VTK



### Flush Refrigerator End Panel with Return

- 24" Deep
- 84" High  
**FREP1 1/2 .84**
- 87" High  
**FREP1 1/2 .87**
- 90" High  
**FREP1 1/2 .90**
- 93" High  
**FREP1 1/2 .93**
- 96" High  
**FREP1 1/2 .96**
- 108" High  
**FREP1 1/2 .108**
- 120" High  
**FREP1 1/2 .120**
- 25 1/2" Deep
- 84" High  
**FREP1 1/2 .25.84**
- 87" High  
**FREP1 1/2 .25.87**
- 90" High  
**FREP1 1/2 .25.90**

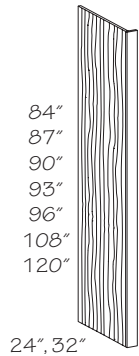
- 93" High  
**FREP1 1/2 .25.93**
- 96" High  
**FREP1 1/2 .25.96**
- 108" High  
**FREP1 1/2 .25.108**
- 120" High  
**FREP1 1/2 .25.120**
- 32" Deep
- 84" High  
**FDREP1 1/2 .84**
- 87" High  
**FDREP1 1/2 .87**
- 90" High  
**FDREP1 1/2 .90**
- 93" High  
**FDREP1 1/2 .93**
- 96" High  
**FDREP1 1/2 .96**
- 108" High  
**FDREP1 1/2 .108**
- 120" High  
**FDREP1 1/2 .120**

† (AD\_E) option unavailable

Grey color coding indicates new product, size or code.

- Reversible
- Exterior and interior finished to match
- Painted hardwood supplied for EverCore®
- Painted or Stained hardwood supplied for Wood-Grain Foil door styles
- Inside edge has a slight reveal between the stile and return panel
- Quartersawn door styles are supplied plain sawn
- Crafted door styles will be supplied in plain sawn wood

- PE
- APC
- ◆ APFC
- FPFB
- MI
- DE
- ☆ AD\_E
- CW
- RD
- ID
- CH
- WR
- VTK



### Refrigerator End Panel w/Stile

- 32" Deep
- 84" High  
**◆ DREP1 1/2.84**  
**◆ DREP3.84**
- 87" High  
**◆ DREP1 1/2.87**  
**◆ DREP3.87**
- 90" High  
**◆ DREP1 1/2.90**  
**◆ DREP3.90**
- 93" High  
**◆ DREP1 1/2.93**  
**◆ DREP3.93**
- 96" High  
**◆ DREP1 1/2.96**  
**◆ DREP3.96**
- 108" High  
**◆◆ DREP1 1/2.108**  
**◆◆ DREP3.108**
- 120" High  
**◆◆ DREP1 1/2.120**  
**◆◆ DREP3.120**

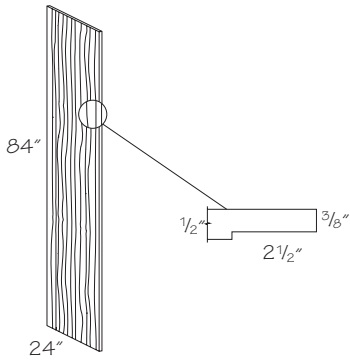
- 24" Deep
- 84" High  
**REP1 1/2.84**  
**REP3.84**
- 87" High  
**REP1 1/2.87**  
**REP3.87**
- 90" High  
**REP1 1/2.90**  
**REP3.90**
- 93" High  
**REP1 1/2.93**  
**REP3.93**
- 96" High  
**REP1 1/2.96**  
**REP3.96**
- 108" High  
**◆◆ REP1 1/2.108**  
**◆◆ REP3.108**
- 120" High  
**◆◆ REP1 1/2.120**  
**◆◆ REP3.120**

- † (AD\_E) option unavailable
- ★ (MIAPFC) standard on these sizes only
- ◆ Unavailable with (DE)

- Reversible
- Exterior finished to match, interior is Natural Birch vinyl
- Painted hardwood supplied for EverCore®
- Painted or Stained hardwood supplied for Wood-Grain Foil door styles
- Quartersawn door styles are supplied plain sawn
- Crafted door styles will be supplied in plain sawn wood

- PE
- APC
- ☆ APFC
- FPFB
- ☆ MI
- ☆ DE
- AD\_E
- CW
- RD
- ID
- CH
- WR
- VTK

### Sub Zero End Panel



- Wood Veneer
- 24" Deep
- ✦ **WZEP84**
- ✦ Painted hardwood supplied for EverCore® and Thermofoil
- ✦ Crafted door styles will be supplied in plain sawn wood
- Quartersawn door styles are supplied plain sawn

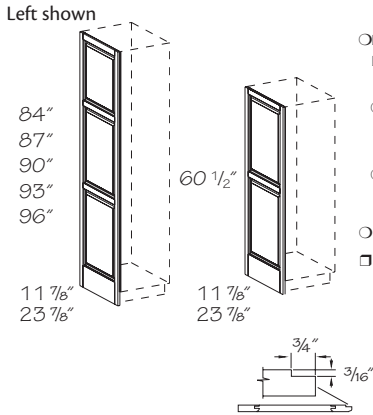
- Reversible
- Panel notched to accept Sub Zero trim kit
- ☆ APC panel only available in wood veneer
- ☆ Max. (ID) is 27"



Be sure to verify panel and appliance model compatibility

PE
☆ APC
APFC
FPEB
MI
DE
AD_E
CW
● RD
☆ ID
CH
WR
VTK

### Matching Tall End Panel



- 60 1/2" High
  - **MTEP1260 R or L**
  - **MTEP2460 R or L**
- 84" High
  - **MTEP1284 R or L**
  - **MTEP2484 R or L**
- 87" High
  - **MTEP1287 R or L**
  - **MTEP2487 R or L**
- 90" High
  - **MTEP1290 R or L**
  - **MTEP2490 R or L**
- 93" High
  - **MTEP1293 R or L**
  - **MTEP2493 R or L**
- 96" High
  - **MTEP1296 R or L**
  - **MTEP2496 R or L**
- (CW) option unavailable
- (CH) option unavailable

- Specify R or L
- 3/4" thick panel with matching door edge profile on front edge only
- Matching panel may **not** align with the cabinet doors
- Unavailable in High-Gloss Foil, Thermofoil or Wood-Grain Foil door styles
- Unavailable in mitered door styles; use End Panel-Mitered
- Unavailable in slab door styles
- ☆ Field notch Wide Bottom Rail for toe kick
- ☆ Max. (CW) is 27"
- Field install

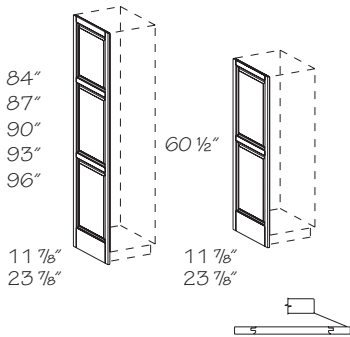


When designing with Matching End Panels the reveal will differ from the cabinet door height reveal. Matching End Panels cover the entire side of the cabinet. See drawing for exact measurements

PE
APC
APFC
FPEB
MI
DE
AD_E
☆ CW
RD
ID
☆ CH
☆ WR
VTK

Standard edge detail—fits flush against 1/2" end panel and behind face frame

### Matching Tall End Panel - Square Edges



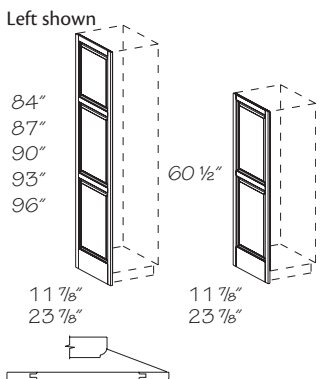
- 60 1/2" High
  - **MTEP1260 S**
  - **MTEP2460 S**
- 84" High
  - **MTEP1284 S**
  - **MTEP2484 S**
- 87" High
  - **MTEP1287 S**
  - **MTEP2487 S**
- 90" High
  - **MTEP1290 S**
  - **MTEP2490 S**
- 93" High
  - **MTEP1293 S**
  - **MTEP2493 S**
- 96" High
  - **MTEP1296 S**
  - **MTEP2496 S**
- (CW) option unavailable
- (CH) option unavailable

- 3/4" thick panel with square edge front and back
- Matching panel may **not** align with the cabinet doors
- Reversible, may be used on either right or left end
- No frame recess dado
- Unavailable in High-Gloss Foil, Thermofoil or Wood-Grain Foil door styles
- Unavailable in mitered door styles; use End Panel-Mitered
- Unavailable in slab door styles
- ☆ Field notch Wide Bottom Rail for toe kick
- ☆ Max. (CW) is 27"
- Field install

Will not fit flush against 1/2" end panel, a 3/16" shim is recommended

PE
APC
APFC
FPEB
MI
DE
AD_E
☆ CW
RD
ID
☆ CH
☆ WR
VTK

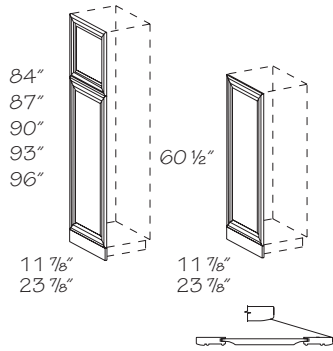
### Furniture Matching Tall End Panel



- 60 1/2" High
  - ✦ ○ **FMTEP1260 R or L**
  - ✦ □ **FMTEP2460 R or L**
- 84" High
  - **FMTEP1284 R or L**
  - **FMTEP2484 R or L**
- 87" High
  - **FMTEP1287 R or L**
  - **FMTEP2487 R or L**
- 90" High
  - **FMTEP1290 R or L**
  - **FMTEP2490 R or L**
- 93" High
  - **FMTEP1293 R or L**
  - **FMTEP2493 R or L**
- 96" High
  - **FMTEP1296 R or L**
  - **FMTEP2496 R or L**
- ✦ Painted hardwood supplied for EverCore®
- (CW) option unavailable
- (CH) option unavailable

- Specify R or L
- 3/4" thick panel with matching door edge profile on front edge only
- Matching panel may **not** align with the cabinet doors
- For use with Furniture Plywood Ends-flush ends
- Unavailable in High-Gloss Foil, Thermofoil or Wood-Grain Foil door styles
- Unavailable in mitered door styles; use End Panel-Mitered
- Unavailable in slab door styles
- ☆ Field notch Wide Bottom Rail for toe kick
- ☆ Max. (CW) is 27"
- Field install

PE
APC
APFC
FPEB
MI
DE
AD_E
☆ CW
RD
ID
☆ CH
☆ WR
VTK



### Matching Tall End Panel - Mitered

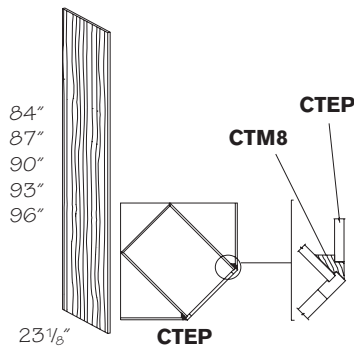
- 60 1/2" High
    - M.MTEP1260**
    - M.MTEP2460**
  - 84" High
    - M.MTEP1284**
    - M.MTEP2484**
  - 87" High
    - M.MTEP1287**
    - M.MTEP2487**
  - 90" High
    - M.MTEP1290**
    - M.MTEP2490**
  - 93" High
    - M.MTEP1293**
    - M.MTEP2493**
  - 96" High
    - M.MTEP1296**
    - M.MTEP2496**
- (CW) option unavailable  
 (CH) option unavailable

- 3/4" thick panel with matching door edge profile on four sides
- Inside of matching panel bottom rail will line up with inside bottom rail of door
- Reversible, may be used on either right or left end
- Top, bottom and toe kick shipped separately
- Available in mitered door styles only
- Unavailable in High-Gloss Foil, Thermofoil or Wood-Grain Foil door styles
- ☆ Max. (CW) is 27"
- Field install

PE
APC
APFC
FPEB
MI
DE
AD_E
☆ CW
RD
ID
☆ CH
WR
VTK

Will not fit flush against 1/2" end panel, a 3/16" shim is recommended

### Corner Tall End Panel

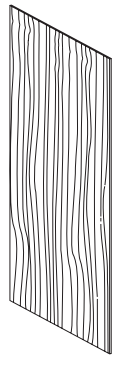


Wood Veneer	Width x Height x Thickness
<b>WCTEP84</b>	23 1/8" x 84" x 1/2"
<b>WCTEP87</b>	23 1/8" x 87" x 1/2"
<b>WCTEP90</b>	23 1/8" x 90" x 1/2"
<b>WCTEP93</b>	23 1/8" x 93" x 1/2"
<b>WCTEP96</b>	23 1/8" x 96" x 1/2"

- See Option #2 in the Diagonal Installation of Standard Tall Cabinets located in Tall Accessories
- Painted hardwood supplied for EverCore®
- Painted or Stained hardwood supplied for Wood-Grain Foil door styles
- Corner Tall End Panel and Corner Tall Molding are sold separately

PE
● APC
APFC
FPEB
MI
DE
AD_E
CW
RD
ID
CH
WR
VTK

New



Back Panel	
Minimum Width	6"
Maximum Width	32"
Minimum Height	12"
Maximum Height	96"

### Wood Tall End Panel - Customizable

#### WTEPC

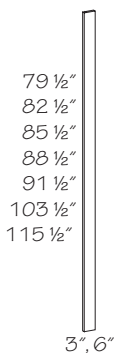
Grey color coding indicates new product, size or code.

- Customizable 11/16" thick plywood panel; 1/16" increments
- Finished to match exterior both sides
- All four sides edge banded to match
- Painted or Stained hardwood supplied for Wood-Grain Foil door styles
- Panel is intended to be used in an "End Panel" application
- Options to change grain orientation are unavailable

PE
❖ APC
APFC
FPEB
MI
DE
AD_E
CW
RD
ID
CH
WR
VTK

# Tall Fillers

Material dimensions listed may vary slightly from actual dimensions of the product. Specifications subject to change without notice.



## Tall Filler

84" High  
**TF3.84**  
**TF6.84**

87" High  
**TF3.87**  
**TF6.87**

90" High  
**TF3.90**  
**TF6.90**

93" High  
**TF3.93**  
**TF6.93**

96" High  
**TF3.96**  
**TF6.96**

108" High  
**TF3.108**  
**TF6.108**

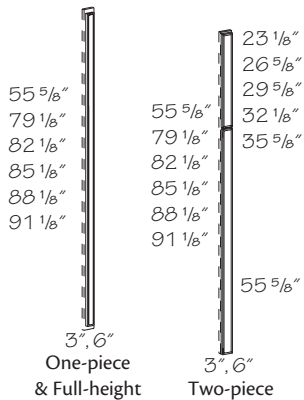
120" High  
**TF3.120**  
**TF6.120**

- 3/4" thick solid wood
- Finished one side only
- Quartersawn door styles are supplied plain sawn
- Painted hardwood supplied for EverCore®
- Painted or Stained hardwood supplied for Wood-Grain Foil door styles
- No toe kick



Remember to use fillers with full overlay door styles, especially square edge profiles, when cabinets will be against a return wall, box, pilaster or column. Use fillers on all overlays if there is case molding on a return wall. This will ensure proper clearance for drawers and roll-out tray access.

## Tall Filler Overlay



One-piece  
**TFOL3.60**  
**TFOL6.60**

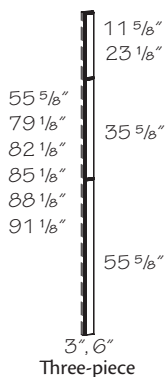
Two-piece  
**TFOL3.84**  
**TFOL6.84**  
**TFOL3.87**  
**TFOL6.87**  
**TFOL3.90**  
**TFOL6.90**  
**TFOL3.93**  
**TFOL6.93**  
**TFOL3.96**  
**TFOL6.96**

Three-piece  
**TFOL3.108**  
**TFOL6.108**  
**TFOL3.120**  
**TFOL6.120**

Full Height  
\* **TFOL3.84.FH**  
\* **TFOL6.84.FH**  
\* **TFOL3.87.FH**  
\* **TFOL6.87.FH**  
\* **TFOL3.90.FH**  
\* **TFOL6.90.FH**  
\* **TFOL3.93.FH**  
\* **TFOL6.93.FH**  
\* **TFOL3.96.FH**  
\* **TFOL6.96.FH**

- Available in full overlay door styles; Two-piece TFOL6 sizes also available in 1/2" overlay
- Available in High-Gloss Foil finish except three-piece models
- Filler overlay has routed door profile and is made from the same material as doors and drawer fronts
- Filler ordered separately
- Thermofoils are painted hardwood
- Consider using Custom Filler Overlay option in applications that require (CW)

\* Unavailable in Thermofoil or Wood-Grain Foil door styles



Three-piece

**Custom Filler Overlay**  
**CFOL**

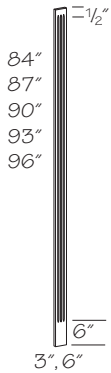
• Slab design only



**Matching Outside Profile**

Min. Width	Max. Width	Min. Height	Max. Height
2 5/8"	8"	6"	96"

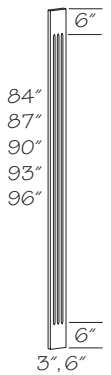
**Tall Fluted Filler**



84" High  
**TFF3.84**  
**TFF6.84**  
87" High  
**TFF3.87**  
**TFF6.87**  
90" High  
**TFF3.90**  
**TFF6.90**  
93" High  
**TFF3.93**  
**TFF6.93**  
96" High  
**TFF3.96**  
**TFF6.96**

- 3/4" thick solid wood
- Painted hardwood supplied for EverCore® and Thermofoil
- Painted or Stained hardwood supplied for Wood-Grain Foil door styles
- Quartersawn door styles are supplied plain sawn

**Plain Capital Tall Fluted Filler**

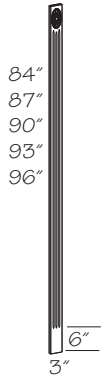


84" High  
**PCTFF3.84**  
**PCTFF6.84**  
87" High  
**PCTFF3.87**  
**PCTFF6.87**  
90" High  
**PCTFF3.90**  
**PCTFF6.90**  
93" High  
**PCTFF3.93**  
**PCTFF6.93**  
96" High  
**PCTFF3.96**  
**PCTFF6.96**

- 3/4" thick solid wood
- Painted hardwood supplied for EverCore® and Thermofoil
- Painted or Stained hardwood supplied for Wood-Grain Foil door styles
- Quartersawn door styles are supplied plain sawn

### Rosette Tall Fluted Filler

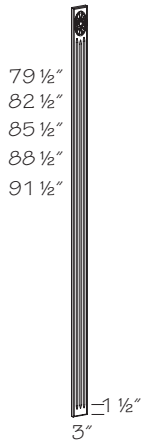
**RTFF3.84**  
**RTFF3.87**  
**RTFF3.90**  
**RTFF3.93**  
**RTFF3.96**



- 3/4" thick solid wood
- Applied decorative rosette
- Painted hardwood supplied for EverCore® and Thermofoil
- Quartersawn door styles are supplied plain sawn
- Unavailable in Rustic Alder, High-Gloss Foil or Wood-Grain Foil door styles

### Rosette Tall Fluted Filler Overlay

**RFTFOL3.84**  
**RFTFOL3.87**  
**RFTFOL3.90**  
**RFTFOL3.93**  
**RFTFOL3.96**



- 3/4" thick solid wood
- Applied decorative rosette
- Painted hardwood supplied for EverCore® and Thermofoil
- Quartersawn door styles are supplied plain sawn
- Unavailable in Rustic Alder, High-Gloss Foil or Wood-Grain Foil door styles

# Tall Decorative Accents

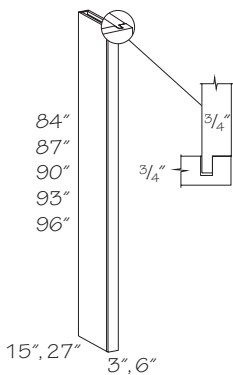
## Construction Options and Modifications

- ❖ Included as standard
- Available with an upcharge
- ☆ Available with exceptions
- (Blank) Unavailable

- APC All Plywood Construction
- APFC All Plywood Furniture Construction
- FPEB Furniture Plywood Ends
- MI Matching Interior
- CW Change Width
- RD Reduced Depth
- CH Change Height
- WR Wide Bottom Rail

Material dimensions listed may vary slightly from actual dimensions of the product. Specifications subject to change without notice.

### Tall Column

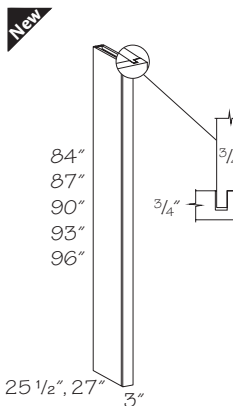


- 84" High
  - **TC31584**
  - **TC61584**
  - **TC32784**
  - **TC62784**
- 87" High
  - **TC31587**
  - **TC61587**
  - **TC32787**
  - **TC62787**
- 90" High
  - **TC31590**
  - **TC61590**
  - **TC32790**
  - **TC62790**
- 93" High
  - **TC31593**
  - **TC61593**
  - **TC32793**
  - **TC62793**
- 96" High
  - **TC31596**
  - **TC61596**
  - **TC32796**
  - **TC62796**

○ (CW) option unavailable

- Front is 3/4" solid wood
- Quartersawn Oak door styles have 3/4" solid quartersawn wood front and quartersawn wood veneer end panels
- Painted hardwood supplied for EverCore®
- Plain sawn material supplied for Crafted door styles
- Foil-wrapped MDF supplied for Wood-Grain Foil door styles on face frame only
- Finished front and both sides
- Reversible, may be used on either right or left end
- ☆ (APFC) standard when (APC) option is selected

- APC
- ☆ APFC
- ❖ FPEB
- MI
- ☆ CW
- RD
- CH
- ❖ WR



### Tall Column w/Matching Interior

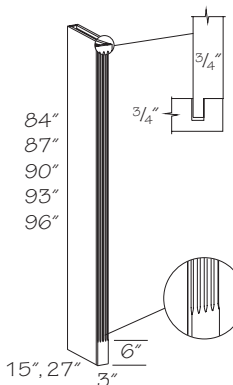
- 84" High
  - **TC32584 .MI**
  - **TC32784 .MI**
- 87" High
  - **TC32587 .MI**
  - **TC32787 .MI**
- 90" High
  - **TC32590 .MI**
  - **TC32790 .MI**
- 93" High
  - **TC32593 .MI**
  - **TC32793 .MI**
- 96" High
  - **TC32596 .MI**
  - **TC32796 .MI**

Grey color coding indicates new product, size or code.

- Front is 3/4" solid wood
- Quartersawn Oak door styles have 3/4" solid quartersawn wood front and quartersawn wood veneer end panels
- Painted hardwood supplied for EverCore®
- Foil-wrapped MDF supplied for Wood-Grain Foil door styles on face frame only
- Finished front, both sides and interior edges
- Edgebanded on both top and bottom
- Reversible, may be used on either right or left end

- APC
- ❖ APFC
- FPEB
- ❖ MI
- CW
- RD
- CH
- ❖ WR

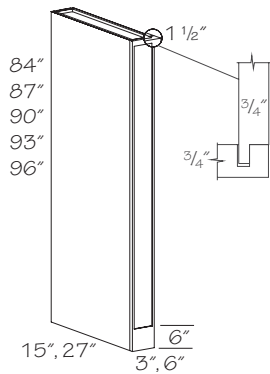
### Tall Fluted Column



- 84" High
  - **TFC31584**
  - **TFC32784**
- 87" High
  - **TFC31587**
  - **TFC32787**
- 90" High
  - **TFC31590**
  - **TFC32790**
- 93" High
  - **TFC31593**
  - **TFC32793**
- 96" High
  - **TFC31596**
  - **TFC32796**

- Fluted front is 3/4" solid wood; plain sawn wood supplied for quartersawn door styles
- Quartersawn Oak door styles have quartersawn wood veneer end panels
- Painted hardwood supplied for EverCore®
- Painted or Stained hardwood supplied for Wood-Grain Foil door styles
- Plain sawn material supplied for Crafted door styles
- Finished front and both sides
- Reversible, may be used on either right or left end
- ☆ (APFC) standard when (APC) option is selected

- APC
- ☆ APFC
- ❖ FPEB
- MI
- CW
- RD
- CH
- ❖ WR



### Sterling Tall Column

84" High

**STTC31584**  
**STTC61584**  
**STTC32784**  
**STTC62784**

87" High

**STTC31587**  
**STTC61587**  
**STTC32787**  
**STTC62787**

90" High

**STTC31590**  
**STTC61590**  
**STTC32790**  
**STTC62790**

93" High

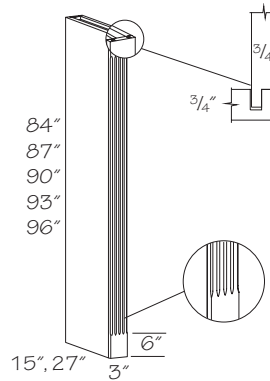
**STTC31593**  
**STTC61593**  
**STTC32793**  
**STTC62793**

96" High

**STTC31596**  
**STTC61596**  
**STTC32796**  
**STTC62796**

- Front is 3/4" solid wood
- Available in Rustic Alder, Cherry, EverCore®, Maple and White Wood-Grain Foil door styles only
- Painted hardwood supplied for EverCore®
- Painted hardwood supplied for Wood-Grain Foil door styles; only available in white
- Finished front and both sides
- Reversible, may be used on either right or left end
- ☆ (APFC) standard when (APC) option is selected

●	APC
☆	APFC
◇	FPEB
	MI
	CW
●	RD
●	CH
◇	WR



### Plain Capital Tall Fluted Column

84" High

**PCTFC31584**  
**PCTFC32784**

87" High

**PCTFC31587**  
**PCTFC32787**

90" High

**PCTFC31590**  
**PCTFC32790**

93" High

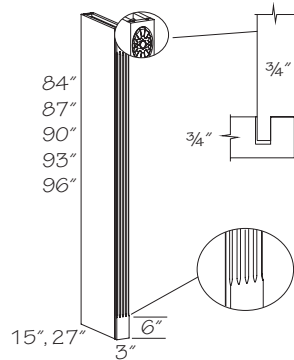
**PCTFC31593**  
**PCTFC32793**

96" High

**PCTFC31596**  
**PCTFC32796**

- Fluted front is 3/4" solid wood; plain sawn wood supplied for quartersawn door styles
- Quartersawn Oak door styles have quartersawn wood veneer end panels
- Finished front and both sides
- Reversible, may be used on either right or left end
- Painted hardwood supplied for EverCore®
- Painted or Stained hardwood supplied for Wood-Grain Foil door styles
- Plain sawn material supplied for Crafted door styles
- ☆ (APFC) standard when (APC) option is selected

●	APC
☆	APFC
◇	FPEB
	MI
	CW
●	RD
●	CH
◇	WR



### Rosette Tall Fluted Column

84" High

**RTFC31584**  
**RTFC32784**

87" High

**RTFC31587**  
**RTFC32787**

90" High

**RTFC31590**  
**RTFC32790**

93" High

**RTFC31593**  
**RTFC32793**

96" High

**RTFC31596**  
**RTFC32796**

- Fluted front is 3/4" solid wood; plain sawn wood supplied for quartersawn door styles
- Quartersawn Oak door styles have quartersawn wood veneer end panels
- Applied decorative rosette
- Finished front and both sides
- Reversible, may be used on either right or left end
- Unavailable in Rustic Alder, High-Gloss Foil or Wood-Grain Foil door styles
- Painted hardwood supplied for EverCore® and Thermofoil
- Plain sawn material supplied for Crafted door styles
- ☆ (APFC) standard when (APC) option is selected

●	APC
☆	APFC
◇	FPEB
	MI
	CW
●	RD
●	CH
◇	WR



# Tall Cabinet Accessories

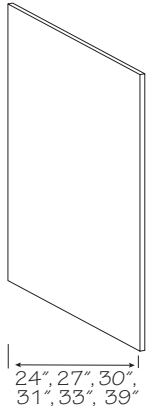
## Construction Options and Modifications

APC All Plywood Construction

<b>RTFC</b>	<b>3</b>	<b>84</b>	<b>15</b>
code	width	height	depth

- ❖ Included as standard
- Available with an upcharge
- ☆ Available with exceptions
- (Blank) Unavailable

Material dimensions listed may vary slightly from actual dimensions of the product. Specifications subject to change without notice.



### Oven Trim Kit

<i>For OC_D</i>	<i>Width x Height</i>
<b>OTK24 D</b>	23 5/8" x 53 1/8"
<b>OTK27 D</b>	26 5/8" x 53 1/8"
<b>OTK30 D</b>	29 5/8" x 53 1/8"
<b>OTK31 D</b>	31 1/8" x 53 1/8"
<b>OTK33 D</b>	32 5/8" x 53 1/8"

<i>For OC_DE &amp; OC_U</i>	<i>Width x Height</i>
<b>OTK24 DE</b>	23 5/8" x 60 5/8"
<b>OTK27 DE</b>	26 5/8" x 60 5/8"
<b>OTK30 DE</b>	29 5/8" x 60 5/8"
<b>OTK31 DE</b>	31 1/8" x 60 5/8"
<b>OTK33 DE</b>	32 5/8" x 60 5/8"

<i>For OC_S, OC_2D &amp; OC_VBS</i>	<i>Width x Height</i>
<b>OTK24 S</b>	23 5/8" x 32 5/8"
<b>OTK27 S</b>	26 5/8" x 32 5/8"
<b>OTK30 S</b>	29 5/8" x 32 5/8"
<b>OTK31 S</b>	31 1/8" x 32 5/8"
<b>OTK33 S</b>	32 5/8" x 32 5/8"
<b>OTK39 S</b>	38 5/8" x 32 5/8"

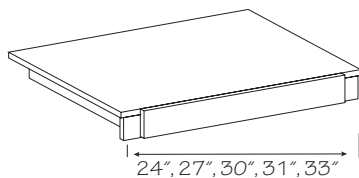
<i>For OC_DD</i>	<i>Width x Height</i>
<b>OTK24 DD</b>	23 5/8" x 50 1/8"
<b>OTK27 DD</b>	26 5/8" x 50 1/8"
<b>OTK30 DD</b>	29 5/8" x 50 1/8"
<b>OTK31 DD</b>	31 1/8" x 50 1/8"
<b>OTK33 DD</b>	32 5/8" x 50 1/8"

<i>For OC_DD.EO</i>	<i>Width x Height</i>
<b>OTK27 DD.EO</b>	26 5/8" x 56 1/8"
<b>OTK30 DD.EO</b>	29 5/8" x 56 1/8"
<b>OTK31 DD.EO</b>	31 1/8" x 56 1/8"
<b>OTK33 DD.EO</b>	32 5/8" x 56 1/8"

Grey color coding indicates new product, size or code.

- 5/8" wood veneer construction except for Wood-Grain Foil door styles, which will have 3/4" wood veneer construction; unavailable in plywood
- Oven Trim Kits will be supplied in plain-sawn material for Quartersawn door styles
- Painted hardwood supplied for EverCore®
- Wood-Grain Foil door styles default to vertical design slab
- Front and back sides are finished
- Edgebanded all four sides
- 3/4" Thick for Wood-Grain Foil
- 3/4" quartersawn panel supplied for Crafted Doors

APC

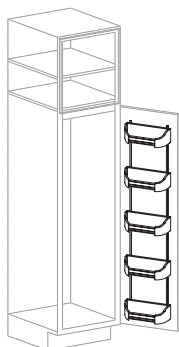


### Double Oven Opening Kit

- DOK24**
- DOK27**
- DOK30**
- DOK31**
- DOK33**

- Includes 1/2" vinyl clad shelf with 3/4" Pine mounting supports and 3" wide 3/4" solid wood center rail to match cabinet exterior
- For installing two appliances in one oven cabinet
- Painted hardwood supplied for EverCore®

● APC

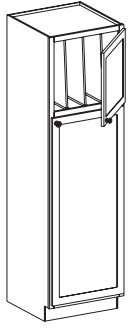


### Wood Tall Door Storage Kit

- WTDSK15** for U1524 5 - 10 3/4" wide shelves
- WTDSK18** for U1824 5 - 13 3/4" wide shelves
- WTDSK24** for U2424 5 - 19 3/4" wide shelves

- Three 5/8" deep maple trays with chrome rails attached to 46" long metal ladders
- Tray location is adjustable
- Field installation on full overlay raised panel door styles and slab door styles only

APC



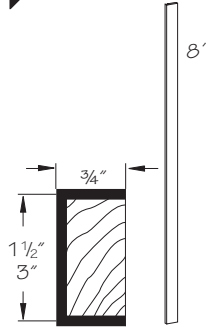
### Tray Dividers–Tall

**1TD**  
**2TD**  
**3TD**  
**4TD**  
**5TD**  
**6TD**

APC

- 1/2" natural Birch vinyl
- Available factory installed for 24" deep cabinets only
- Installed in wood or plastic U-channels
- Shelves are eliminated when this option is selected
- Specify quantity and location
- Tray Dividers are installed in the top section of Utility Stack cabinets

New



### Cleat Kit

**CK1** 3/4" x 1 1/2" x 96"  
**CK2** 3/4" x 3" x 96"

*Grey color coding indicates new product, size or code.*

APC

- Includes two cleats, solid wood material, finished on the face and two long edges
- Use with appliance cabinets when a flush-mount application is desired
- Field trim to size and field installed

# Vanity Cabinets

## Construction Options and Modifications

VCD	30	34	18
code	width	height	depth

- ❖ Included as standard
- Available with an upcharge
- ☆ Available with exceptions
- (Blank) Unavailable

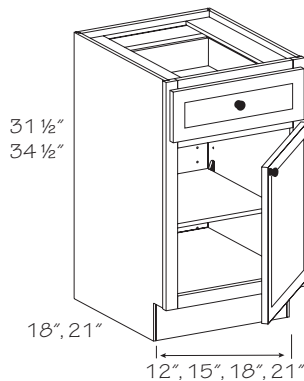
- PE Plywood Ends
- APC All Plywood Construction
- APFC All Plywood Furniture Construction
- FPEB Furniture Plywood Ends
- MI Matching Interior
- DE Integrated Decorative End
- OE Operational End
- AD\_E Attached Decorative End
- CW Change Width
- RD Reduced Depth
- ID Increased Depth
- CH Change Height
- IF Inverted Frame
- TWR Top Wide Rail
- WR Wide Bottom Rail
- XS Extended Stile
- XSB Extended Side Back
- GD Glass Doors
- PTKV Prepared for Toe Kick Vent
- RTK Recessed Toe Kick
- VTK Void Toe Kick
- TKD Toe Kick Drawer

**Note:** Standard vanity cabinet box depth is 18" or 21" unless stated otherwise. Add door thickness for total depth. Standard vanity cabinet height is 34 1/2" unless stated otherwise.

All double door cabinets will have butt doors unless stated otherwise. When BUTT is in all capitals, it **must** be included as part of your ordering nomenclature. A (Butt) in parentheses is for your information and isn't required on an order form.

Material dimensions listed may vary slightly from actual dimensions of the product. Specifications subject to change without notice.

### Vanity Base Single Door



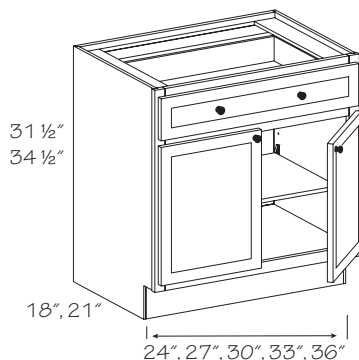
- 31 1/2" High, 18" Deep
- ★❖ VB121831 R or L
- ★ VB151831 R or L
- ★ VB181831 R or L
- ★ VB211831 R or L
- 31 1/2" High, 21" Deep
- ❖ VB122131 R or L
- ★ VB152131 R or L
- ★ VB182131 R or L
- ★ VB212131 R or L
- 34 1/2" High, 18" Deep
- ★❖ VB121834 R or L
- ★ VB151834 R or L
- ★ VB181834 R or L
- ★ VB211834 R or L
- 34 1/2" High, 21" Deep
- ❖ VB122134 R or L
- ★ VB152134 R or L
- ★ VB182134 R or L
- ★ VB212134 R or L

- (CW) option unavailable
- ★ Unavailable in (ID)
- ❖ (PTKV) option is unavailable

- Specify R or L for single door hinging
- One adjustable shelf
- One standard drawer
- Scoop Top Drawer option available
- ☆ Max. (ID) is 24"

- PE
- APC
- APFC
- FPEB
- MI
- DE
- OE
- AD\_E
- ☆ CW
- RD
- ☆ ID
- CH
- IF
- TWR
- WR
- XS
- XSB
- GD
- ☆ PTKV
- RTK
- VTK
- TKD

### Vanity Base Double Door



- 31 1/2" High, 18" Deep
- ★❖ VB241831
- ★ VB271831
- ★ VB301831
- ★ VB331831
- ★ VB361831
- 31 1/2" High, 21" Deep
- VB242131
- ★ VB272131
- ★ VB302131
- ★ VB332131
- ★ VB362131
- 34 1/2" High, 18" Deep
- ★❖ VB241834
- ★ VB271834
- ★ VB301834
- ★ VB331834
- ★ VB361834
- 34 1/2" High, 21" Deep
- VB242134
- ★ VB272134
- ★ VB302134
- ★ VB332134
- ★ VB362134

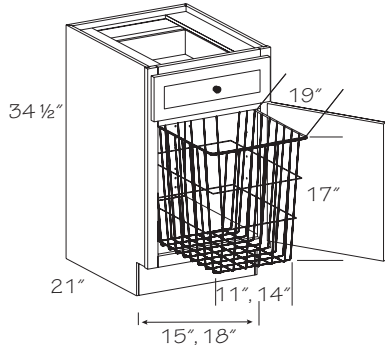
- (CW) option unavailable
- ★ Unavailable in (ID)

- One adjustable shelf
- One standard drawer
- Scoop Top Drawer option available
- ☆ Max. (ID) is 24"

- PE
- APC
- APFC
- FPEB
- MI
- DE
- OE
- AD\_E
- ☆ CW
- RD
- ☆ ID
- CH
- IF
- TWR
- WR
- XS
- XSB
- GD
- PTKV
- RTK
- VTK
- TKD

### Vanity Hamper Base

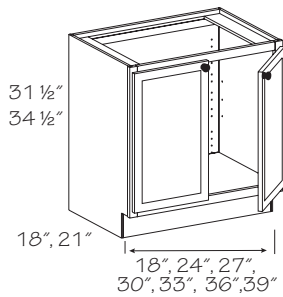
VHB152134 R or L  
VHB182134 R or L



- Specify R or L for single door hinging
- One standard drawer
- Epoxy coated pull-out hamper

- PE
- APC
- APFC
- FPEB
- MI
- DE
- OE
- AD\_E
- CW
- RD
- ID
- CH
- IF
- TWR
- WR
- XS
- XSB
- GD
- PTKV
- RTK
- VTK
- TKD

### Vanity Cabinet Full-Height Door



- 31 1/2" High, 18" Deep
- ★ VC181831 R or L
  - ★○ VC241831
  - ★ VC271831
  - ★ VC301831
  - ★ VC331831
  - ★ VC361831
  - ★◆ VC391831

- 31 1/2" High, 21" Deep
- VC182131 R or L
  - VC242131
  - VC272131
  - VC302131
  - VC332131
  - VC362131
  - ◆ VC392131

- 34 1/2" High, 18" Deep
- ★ VC181834 R or L
  - ★○ VC241834
  - ★ VC271834
  - ★ VC301834
  - ★ VC331834
  - ★ VC361834
  - ★◆ VC391834
  - ★★ VC421834
  - ★\*▲ VC481834

- 34 1/2" High, 21" Deep
- VC182134 R or L
  - VC242134
  - VC272134
  - VC302134
  - VC332134
  - VC362134
  - ◆ VC392134
  - + VC422134
  - \*▲ VC482134

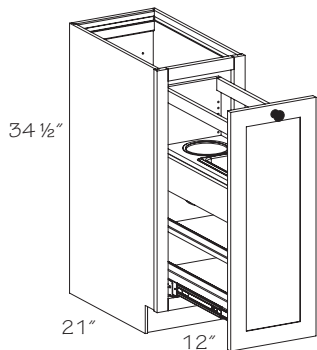
- Specify R or L for single door hinging
- No shelf
- ☆ Max. (ID) is 24"

- ★ Unavailable in (ID)
- (CW) option unavailable
- ◆ 3" center stile
- + Factory installed Roll-out Trays are unavailable
- ▲ Two pair of butt doors
- \* Glass inserts unavailable on ends

- PE
- APC
- APFC
- FPEB
- MI
- DE
- OE
- AD\_E
- ☆ CW
- RD
- ☆ ID
- CH
- IF
- TWR
- WR
- XS
- XSB
- ☆ GD
- PTKV
- RTK
- VTK
- TKD

### Vanity Base Pull-out Appliance

VPOA122134

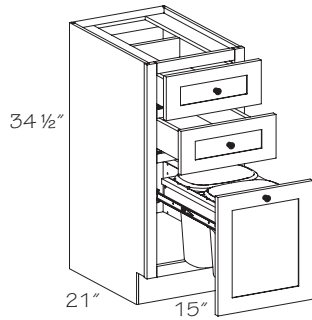


- One fixed wood shelf attached to the bottom of a full-height door
- Two adjustable shelves
- Unit slides on full extension side-mount runners
- Includes two metal trays for curling irons, hair dryers, etc

- PE
- APC
- APFC
- FPEB
- MI
- DE
- OE
- AD\_E
- CW
- RD
- ID
- CH
- IF
- TWR
- WR
- XS
- XSB
- GD
- PTKV
- RTK
- VTK
- TKD

### Vanity Base Top Mount Wastebasket - Double

With Sidemount Soft-Close  
**VBWBT152134 .3C**

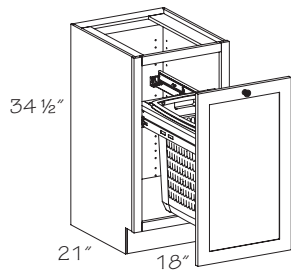


- 10 qt. capacity baskets
- Basket(s) are easily removable for emptying or cleaning
- Basket(s) rest in a Natural Maple plywood frame
- Two standard drawers
- Frame slides on full extension glides
- Optional Wastebasket Drawer Partition (WDP) is available

- PE
- APC
- APFC
- FPFB
- MI
- DE
- OE
- AD\_E
- CW
- RD
- ID
- CH
- IF
- TWR
- WR
- XS
- XSB
- GD
- PTKV
- RTK
- VTK
- TKD

### Vanity Base Hamper Top Mount

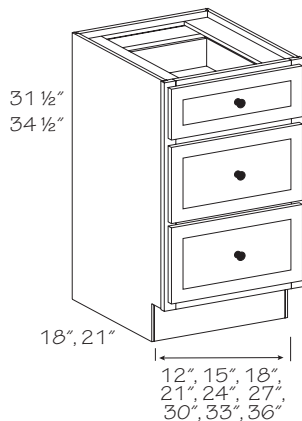
**VHBT182134**



- Hamper is mold and mildew resistant white plastic
- Hamper is easily removable for emptying or cleaning
- Hamper has lid
- Frame slides on extra-extended full extension glides
- Hamper Dimensions: 14" W x 18 1/4" H x 18 5/8" D

- PE
- APC
- APFC
- FPFB
- MI
- DE
- OE
- AD\_E
- CW
- RD
- ID
- CH
- IF
- TWR
- WR
- XS
- XSB
- GD
- PTKV
- RTK
- VTK
- TKD

### Vanity Base Drawer



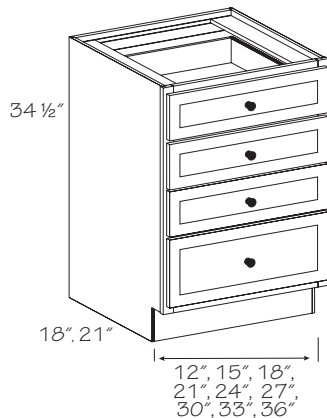
- 31 1/2" High, 18" Deep
- ★※○ **VBD121831 .3**
- ★ **VBD151831 .3**
- ★ **VBD181831 .3**
- 31 1/2" High, 21" Deep
- ※○ **VBD122131 .3**
- VBD152131 .3**
- VBD182131 .3**
- 34 1/2" High, 18" Deep
- ★※○ **VBD121834 .3**
- ★ **VBD151834 .3**
- ★ **VBD181834 .3**
- ★▲ **VBD211834 .3**
- ★▲ **VBD241834 .3**
- ★▲ **VBD271834 .3**
- ★▲ **VBD301834 .3**
- ★▲ **VBD331834 .3**
- ★▲ **VBD361834 .3**
- 34 1/2" High, 21" Deep
- ※○ **VBD122134 .3**
- VBD152134 .3**
- VBD182134 .3**
- ▲ **VBD212134 .3**
- ▲ **VBD242134 .3**
- ▲ **VBD272134 .3**
- ▲ **VBD302134 .3**
- ▲ **VBD332134 .3**
- ▲ **VBD362134 .3**

- One standard drawer
- Two deep drawers
- Optional Vanity Wood Tiered Drawer Storage, Vanity Shallow Wood Tiered Drawer Storage and Vanity Adjustable Drawer Divider are available
- Scoop Top Drawer option available
- ☆ Max. (ID) is 24"

- PE
- APC
- APFC
- FPFB
- MI
- DE
- OE
- AD\_E
- ☆ CW
- RD
- ☆ ID
- CH
- IF
- TWR
- WR
- XS
- XSB
- GD
- ☆ PTKV
- RTK
- VTK
- TKD

- (CW) option unavailable
- ★ Unavailable in (ID)
- ※ (PTKV) option is unavailable
- ▲ Unavailable with Vanity Wood Tiered Drawer Storage, Vanity Shallow Wood Tiered Drawer Storage and Vanity Adjustable Drawer Divider

### Vanity Base Four Drawer



- |  |   |
|--|---|
| <p>18" Deep</p> <ul style="list-style-type: none"> <li>*⊙ <b>VBD121834 .4</b></li> <li>★ <b>VBD151834 .4</b></li> <li>★ <b>VBD181834 .4</b></li> <li>★▲ <b>VBD211834 .4</b></li> <li>★▲ <b>VBD241834 .4</b></li> <li>★▲ <b>VBD271834 .4</b></li> <li>★▲ <b>VBD301834 .4</b></li> <li>★▲ <b>VBD331834 .4</b></li> <li>★▲ <b>VBD361834 .4</b></li> </ul> | <p>21" Deep</p> <ul style="list-style-type: none"> <li>⊙ <b>VBD122134 .4</b></li> <li>⊙ <b>VBD152134 .4</b></li> <li>⊙ <b>VBD182134 .4</b></li> <li>▲ <b>VBD212134 .4</b></li> <li>▲ <b>VBD242134 .4</b></li> <li>▲ <b>VBD272134 .4</b></li> <li>▲ <b>VBD302134 .4</b></li> <li>▲ <b>VBD332134 .4</b></li> <li>▲ <b>VBD362134 .4</b></li> </ul> |
|--|---|

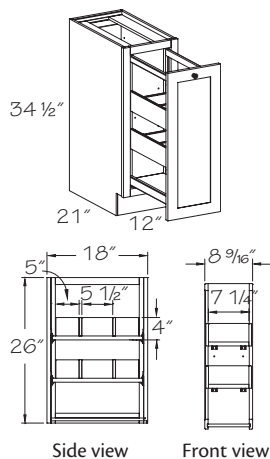
- (CW) option unavailable
- ★ Unavailable in (ID)
- \* (PTKV) option is unavailable
- ▲ Unavailable with Vanity Wood Tiered Drawer Storage, Vanity Shallow Wood Tiered Drawer Storage and Vanity Adjustable Drawer Divider

- Three standard height drawers
- One deep drawer
- Optional Vanity Wood Tiered Drawer Storage, Vanity Shallow Wood Tiered Drawer Storage and Vanity Adjustable Drawer Divider are available
- Scoop Top Drawer option available
- ☆ Max. (ID) is 24"

- PE
- APC
- APFC
- FPEB
- MI
- DE
- OE
- AD\_E
- ☆ CW
- RD
- ☆ ID
- CH
- IF
- TWR
- WR
- XS
- XSB
- GD
- ☆ PTKV
- RTK
- VTK
- TKD

### Vanity Base Pull-out

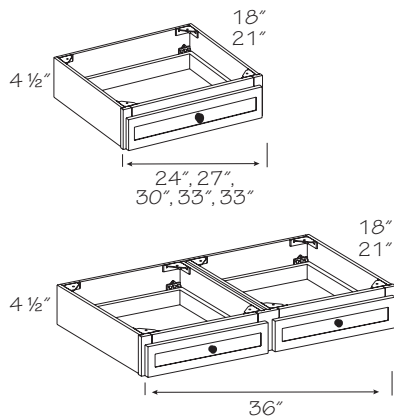
**VBP122134** 7 1/4" shelf width



- One fixed wood shelf attached to the bottom of a full-height door
- Two adjustable shelves
- Two removable dividers in each adjustable shelf
- Unit slides on heavy duty full extension runners with integrated buffer

- PE
- APC
- APFC
- FPEB
- MI
- DE
- OE
- AD\_E
- CW
- RD
- ID
- CH
- IF
- TWR
- WR
- XS
- XSB
- GD
- PTKV
- RTK
- VTK
- TKD

### Vanity Knee Drawer



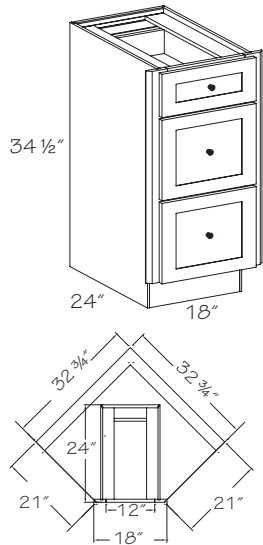
- |   |  |
|---|--|
| <p>18" Deep</p> <ul style="list-style-type: none"> <li>★ <b>VKD2418</b></li> <li>★ <b>VKD2718</b></li> <li>★ <b>VKD3018</b></li> <li>★ <b>VKD3318</b></li> <li>★▲ <b>VKD3618</b></li> </ul> | <p>21" Deep</p> <ul style="list-style-type: none"> <li>★ <b>VKD2421</b></li> <li>★ <b>VKD2721</b></li> <li>★ <b>VKD3021</b></li> <li>★ <b>VKD3321</b></li> <li>▲ <b>VKD3621</b></li> </ul> |
|---|--|

- ★ Unavailable in (ID)
- ▲ Two drawers side by side

- Unit is designed for use between two Vanity cabinets
- Drawer will be slab, including DRPD, except for Ellery-Full, Ralden, Somersworth and Thornton-Full door styles which will be five-piece
- Unable to be trimmed
- ☆ End panels are 1/2" plywood with Natural Birch vinyl interior and exterior
- ☆ Max. (ID) is 24"

- ☆ PE
- APC
- APFC
- FPEB
- MI
- DE
- OE
- AD\_E
- CW
- RD
- ☆ ID
- CH
- IF
- TWR
- WR
- XS
- XSB
- GD
- PTKV
- RTK
- VTK
- TKD

**Vanity Drawer Base Angle Three Drawer**  
**VDA332134 .3**

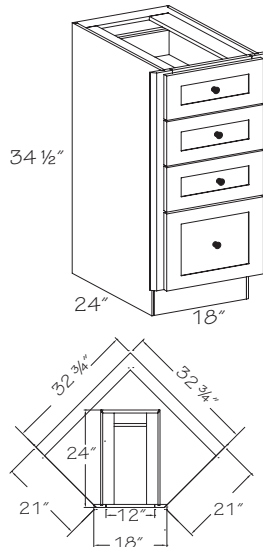


All dimensions are to outside of frame

- Angled frame designed for diagonal corner installation only
- Scoop Top Drawer option available

- PE
- APC
- APFC
- FPEB
- MI
- DE
- OE
- AD\_E
- CW
- RD
- ID
- CH
- IF
- TWR
- WR
- XS
- XSB
- GD
- PTKV
- RTK
- VTK
- TKD

**Vanity Drawer Base Angle Four Drawer**  
**VDA332134 .4**

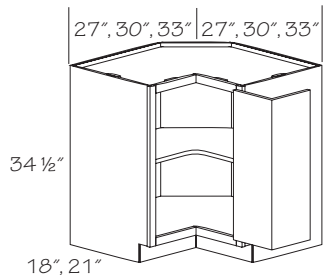


All dimensions are to outside of frame

- Angled frame designed for diagonal corner installation only
- Scoop Top Drawer option available

- PE
- APC
- APFC
- FPEB
- MI
- DE
- OE
- AD\_E
- CW
- RD
- ID
- CH
- IF
- TWR
- WR
- XS
- XSB
- GD
- PTKV
- RTK
- VTK
- TKD

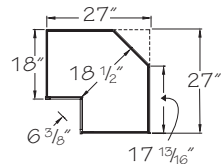
### Vanity Easy Reach



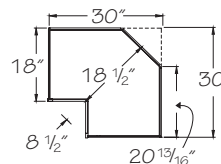
- 18" Deep
- ◆ **VEZR271834 R or L**  
**VEZR301834 R or L**
- 21" Deep
- ◆ **VEZR302134 R or L**  
**VEZR332134 R or L**
- Wood-Grain Foil door styles will be supplied as vertical grain slabs
- ◆ Veranda doors will have a solid, recessed flat panel. Castlewood doors will have a veneer, recessed flat panel

- One fixed shelf
- Doors are profiled on one long and two short edges and are connected with hinges
- Angled back provides clearance for installation
- Face frame is scooped for hinge installation on full overlay door styles
- Back Options (BEB and VGRB) unavailable
- Contrasting Back Options (CBEB, CPLB) unavailable
- **Note:** Unavailable with soft close feature

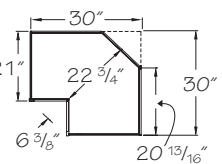
- PE
- APC
- APFC
- FPFB
- MI
- DE
- OE
- AD\_E
- CW
- RD
- ID
- CH
- IF
- TWR
- WR
- XS
- XSB
- GD
- PTKV
- RTK
- VTK
- TKD



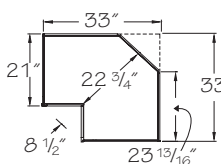
**VEZR271834**



**VEZR301834**



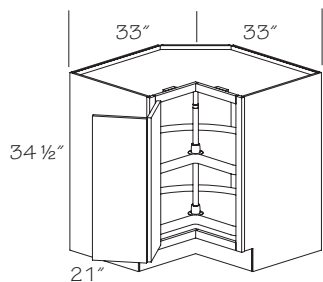
**VEZR302134**



**VEZR332134**

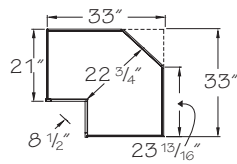
### Vanity Easy Reach Wood Lazy Susan

**VEZR332134 R or L.WLS**



- Two pie-cut 28" diameter rotating shelves
- Angled back provides clearance for installation
- Doors are profiled on one long and two short edges and are connected with hinges
- Face frame is scooped for hinge installation on full overlay door styles
- Veranda doors will have a solid, recessed flat panel
- Back Options (BEB and VGRB) unavailable
- Contrasting Back Options (CBEB, CPLB) unavailable
- **Note:** Unavailable with soft close feature

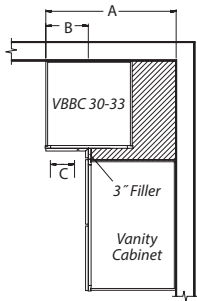
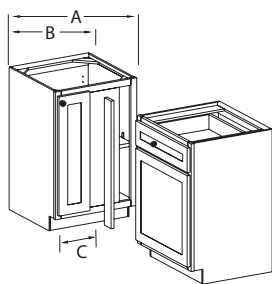
- PE
- APC
- APFC
- FPFB
- MI
- DE
- OE
- AD\_E
- CW
- RD
- ID
- CH
- IF
- TWR
- WR
- XS
- XSB
- GD
- PTKV
- RTK
- VTK
- TKD





## Vanity Base Blind Corner Cabinet Information

Right blind shown



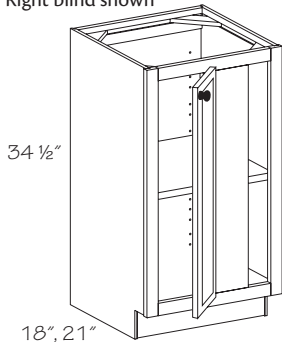
- Specify R or L; R or L indicates blind
- All vanity blind corner cabinets need to be pulled. Consult chart or pull dimensions and min. wall space requirements
- Door hinged on same side as blind on single door cabinets
- A 3" vanity filler is included with each VBBC cabinet ordered, shipped separately. Vanity cabinet adjacent to VBBC may be ordered with an extended stile in lieu of installing supplied filler
- Overlay Panel for Wall Blind Corner Cabinet is recommended for full overlay door styles; order separately

Cabinet	1/2" Overlay		Exposed Front "B"		Door Open "C"	Cab. Width	Full Overlay		Exposed Front "B"		Door Open "C"	Cab. Width
	Min★	Max	Min★	Max			Min★	Max	Min★	Max		
<b>VBBC3018</b>	28 1/2"	32 1/8"	10 1/2"	13 1/8"	6"	18"	30"	32 1/8"	12"	13 1/8"	6"	18"
<b>VBBC33</b>	31 1/2"	37 1/8"	10 1/2"	16 1/8"	6"	21"	33"	38 5/8"	12"	17 7/8"	6"	21"

★Dimensions "A" and "B" minimum requirements include optional decorative hardware clearance. You may deduct 1 1/4" if hardware is not used.

## Vanity Base Blind Corner

Right blind shown



- 18" Deep
- ★: **VBBC301834 R or L**
- 21" Deep
- **VBBC332134 R or L**
- ※ Veranda doors will have a solid, recessed flat panel
- ★ Unavailable in (ID)

- Specify R or L; R or L indicates blind
- Door is hinged from blind panel
- One adjustable shelf
- 3" filler included
- ☆ Max. (ID) is 24"

- PE
- APC
- APFC
- FPFB
- MI
- DE
- OE
- AD\_E
- CW
- RD
- ☆ ID
- CH
- IF
- TWR
- WR
- XS
- XSB
- GD
- PTKV
- RTK
- VTK
- TKD

# Vanity Sink Cabinets

## Construction Options and Modifications

- ❖ Included as standard
- Available with an upcharge
- ☆ Available with exceptions
- (Blank) Unavailable

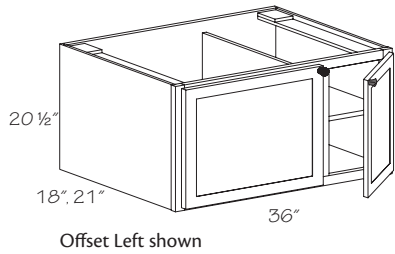
- PE Plywood Ends
- APC All Plywood Construction
- APFC All Plywood Furniture Construction
- FPEB Furniture Plywood Ends
- MI Matching Interior
- DE Integrated Decorative End
- OE Operational End
- AD\_E Attached Decorative End
- CW Change Width
- RD Reduced Depth
- ID Increased Depth
- CH Change Height
- IF Inverted Frame
- TWR Top Wide Rail
- WR Wide Bottom Rail
- XS Extended Stile
- XSB Extended Side Back
- GD Glass Doors
- PTKV Prepared for Toe Kick Vent
- RTK Recessed Toe Kick
- VTK Void Toe Kick
- TKD Toe Kick Drawer

**Note:** Standard vanity cabinet box depth is 18" or 21" unless stated otherwise. Add door thickness for total depth. Standard vanity cabinet height is 34 1/2" unless stated otherwise.

All double door cabinets will have butt doors unless stated otherwise. When BUTT is in all capitals, it **must** be included as part of your ordering nomenclature. A (Butt) in parentheses is for your information and isn't required on an order form.

Material dimensions listed may vary slightly from actual dimensions of the product. Specifications subject to change without notice.

### Wall Hung Vanity



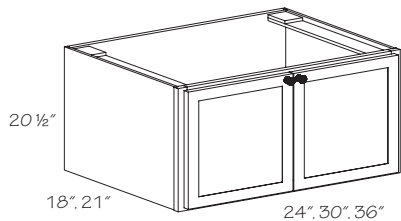
*Offset Right*  
 12" wide left door with single shelf;  
 24" wide right door  
**WHVOR3618**  
**WHVOR3621**

*Offset Left*  
 12" wide right door with single shelf;  
 24" wide left door  
**WHVOL3618**  
**WHVOL3621**

- U-shaped Deluxe Roll-out Tray available on 24" side; order separately
- Installation instructions included

- PE
- APC
- ❖ APFC
- FPEB
- MI
- DE
- OE
- AD\_E
- CW
- RD
- ID
- CH
- IF
- TWR
- WR
- XS
- XSB
- GD
- PTKV
- RTK
- VTK
- TKD

### Wall Hung Vanity Full-Height Door



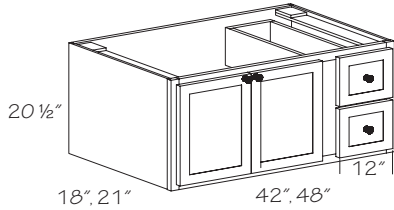
18" Deep  
**WHVC2418**  
**WHVC3018**  
**WHVC3618**

21" Deep  
**WHVC2421**  
**WHVC3021**  
**WHVC3621**

- Full-height BUTT doors
- U-shaped Deluxe Roll-out Tray available; order separately
- Installation instructions included

- PE
- APC
- ❖ APFC
- FPEB
- MI
- DE
- OE
- AD\_E
- CW
- RD
- ID
- CH
- IF
- TWR
- WR
- XS
- XSB
- GD
- PTKV
- RTK
- VTK
- TKD

## Wall Hung Vanity Combination Drawer



Drawers Right shown

Cabinet	Max. Opening from Frame Stile to Drawer Box
WHVCD4218	30" L/R Side Sink Offset
WHVCD4221	30" L/R Side Sink Offset
WHVCD4818	30" L/R Side Sink Offset
WHVCD4821	30" L/R Side Sink Offset

Drawers Right

18" Deep  
**WHVCD4218 DR**  
**WHVCD4818 DR**

Drawers Left

18" Deep  
**WHVCD4218 DL**  
**WHVCD4818 DL**

Drawers Right

21" Deep  
**WHVCD4221 DR**  
**WHVCD4821 DR**

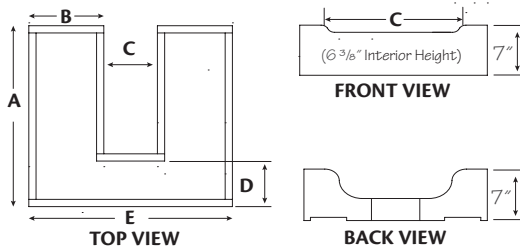
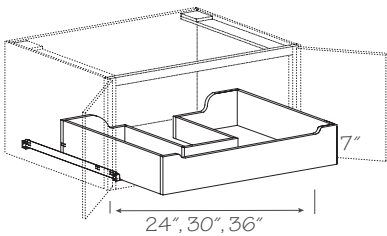
Drawers Left

21" Deep  
**WHVCD4221 DL**  
**WHVCD4821 DL**

- U-shaped Deluxe Roll-out Tray available; order separately
- Installation instructions included

PE
APC
❖ APFC
FPEB
● MI
DE
OE
● AD_E
CW
RD
ID
CH
IF
TWR
WR
XS
XSB
● GD
PTKV
RTK
VTK
TKD

## U-Shaped Deluxe Roll-out Tray



Field Installation

18" Deep  
**UDXROT24 .18**  
**UDXROT30 .18**  
**UDXROT36 .18**

Field Installation

21" Deep  
**UDXROT24 .21**  
**UDXROT30 .21**  
**UDXROT36 .21**

Factory Installation

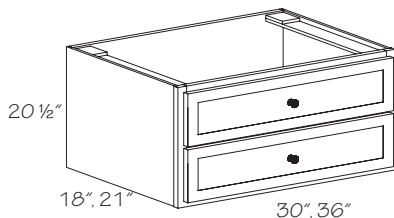
18"-21" Deep  
**1UDXROT**

- Designed specifically for Wall Hung Vanity cabinets
- Full extension runner, pulls out past the face frame

PE
APC
APFC
FPEB
MI
DE
OE
AD_E
CW
RD
ID
CH
IF
TWR
WR
XS
XSB
GD
PTKV
RTK
VTK
TKD

Roll-out Tray	Opening	A	B	C	D	E
UDXROT24.18	21"	14 3/4"	7 11/32"	5 1/4"	3 3/4"	19 15/16"
UDXROT30.18	27"	14 3/4"	10 11/32"	5 1/4"	3 3/4"	25 15/16"
UDXROT36.18	33"	14 3/4"	13 11/32"	5 1/4"	3 3/4"	31 15/16"
UDXROT24.21	21"	17 23/32"	7 11/32"	5 1/4"	3 3/4"	19 15/16"
UDXROT30.21	27"	17 23/32"	10 11/32"	5 1/4"	3 3/4"	25 15/16"
UDXROT36.21	33"	17 23/32"	13 11/32"	5 1/4"	3 3/4"	31 15/16"

## Wall Hung Vanity Drawer



18" Deep  
**WHVD3018**  
**WHVD3618**

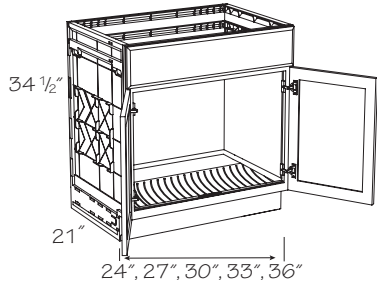
21" Deep  
**WHVD3021**  
**WHVD3621**

- False front top
- 7" U-shaped bottom drawer scooped to 3" in the back
- 11/16" full plywood back panel
- Installation instructions included

PE
APC
❖ APFC
FPEB
● MI
DE
OE
● AD_E
CW
RD
ID
CH
IF
TWR
WR
XS
XSB
GD
PTKV
RTK
VTK
TKD

### CoreGuard® Vanity

- VSB242134 .CG
- VSB272134 .CG
- VSB302134 .CG
- VSB332134 .CG
- VSB362134 .CG



Opening Sizes		
Cabinet	Top Width	Top Depth
VSB242134.CG	21 1/16"	22 3/8"
VSB272134.CG	24 1/16"	22 3/8"
VSB302134.CG	27 1/16"	22 3/8"
VSB332134.CG	30 1/16"	22 3/8"
VSB362134.CG	33 1/16"	22 3/8"

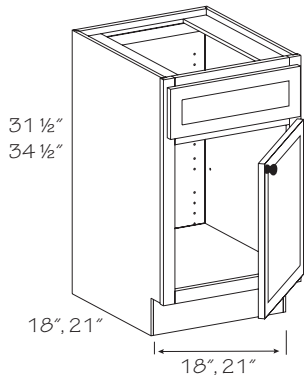
- No shelf
- Easy to clean, durable sink base helps protect the cabinetry from everyday leaks and spills
- Back, end and bottom panels are made of an engineered polymer material
- Bottom panel slants 1° toward front of cabinet and has raised ribs to slightly elevate stored items
- Decorative end panel required for end of peninsula or island; order separately
- One full-width false drawer front above doors
- Use CoreGuard® Panel Backer in the paneling section to resolve cutting and installation errors
- Optional Door Storage Unit is available
- Optional Utensil Trays (UT and SUT) are available
- Roll-out trays are unavailable
- Includes a Touch-Up Kit

- PE
- APC
- APFC
- FPFB
- MI
- DE
- OE
- AD\_E
- CW
- RD
- ID
- CH
- IF
- TWR
- WR
- XS
- XSB
- GD
- PTKV
- RTK
- VTK
- TKD



Caution: For an island/peninsula installation, the CoreGuard® Sink cabinet must have a minimum of one (1) 15" cabinet or larger installed adjacent to it in order for the island/peninsula to have adequate structural stability. Accessories cannot be installed on end panels, back or floor of the cabinet

### Vanity Sink Base Single Door



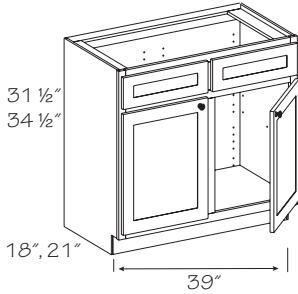
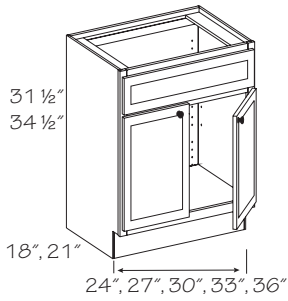
- 31 1/2" High, 18" Deep
- ★ VSB181831 R or L
- ★ VSB211831 R or L
- 31 1/2" High, 21" Deep
- VSB182131 R or L
- VSB212131 R or L
- 34 1/2" High, 16" Deep
- ◆ VSB181634 R or L
- ◆ VSB211634 R or L
- 34 1/2" High, 18" Deep
- +★ VSB181834 R or L
- +★ VSB211834 R or L
- 34 1/2" High, 21" Deep
- VSB182134 R or L
- VSB212134 R or L

- ★ Unavailable in (ID)
- ◆ Unavailable with (OE) option
- + (TKD) option is unavailable
- + (AD\_E) option unavailable

- Specify R or L for single door hinging
- False drawer front
- Optional Utensil Trays (UT and SUT) are available
- ☆ Max. (ID) is 24"

- PE
- APC
- APFC
- FPFB
- MI
- DE
- ☆ OE
- ☆ AD\_E
- CW
- RD
- ☆ ID
- CH
- IF
- TWR
- WR
- XS
- XSB
- GD
- PTKV
- RTK
- VTK
- ☆ TKD

### Vanity Sink Base Double Door



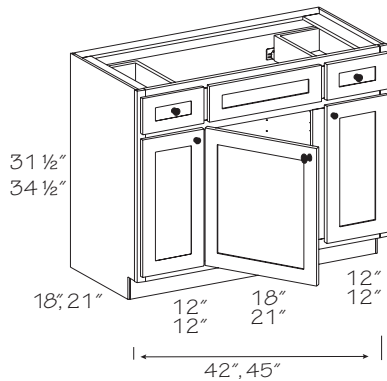
- 31 1/2" High, 18" Deep
  - ★○ **VSB241831**
  - ★ **VSB271831**
  - ★ **VSB301831**
  - ★ **VSB331831**
  - ★ **VSB361831**
  - ★▲ **VSB391831**
- 31 1/2" High, 21" Deep
  - **VSB242131**
  - VSB272131**
  - VSB302131**
  - VSB332131**
  - VSB362131**
  - ▲ **VSB392131**
- 34 1/2" High, 18" Deep
  - ★○ **VSB241834**
  - ★ **VSB271834**
  - ★ **VSB301834**
  - ★ **VSB331834**
  - ★ **VSB361834**
  - ★▲ **VSB391834**
- 34 1/2" High, 21" Deep
  - **VSB242134**
  - VSB272134**
  - VSB302134**
  - VSB332134**
  - VSB362134**
  - ▲ **VSB392134**

- Single or double drawer front
- Optional Utensil Trays (UT and SUT) are available
- ☆ Max. (ID) is 24"

- (CW) option unavailable
- ★ Unavailable in (ID)
- ◆ 3" center stile
- ▲ Deluxe Dovetailed full-width Trays unavailable

- PE
- APC
- APFC
- FPFB
- MI
- DE
- OE
- AD\_E
- ☆ CW
- RD
- ☆ ID
- CH
- IF
- TWR
- WR
- XS
- XSB
- GD
- PTKV
- RTK
- VTK
- TKD

### Vanity Sink Base Three Door



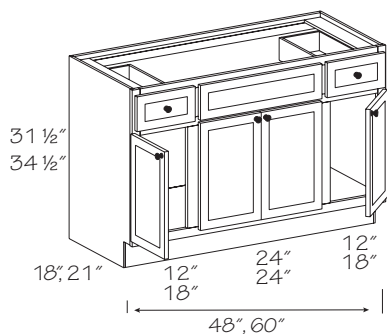
- 31 1/2" High, 18" Deep
  - ★ **VSB421831**
  - ★+ **VSB451831**
- 31 1/2" High, 21" Deep
  - VSB422131**
  - + **VSB452131**
- 34 1/2" High, 18" Deep
  - ★ **VSB421834**
  - ★+ **VSB451834**
- 34 1/2" High, 21" Deep
  - VSB422134**
  - + **VSB452134**

- Two working drawers with one false drawer front
- Center door hinged left only
- ☆ Glass inserts unavailable on ends
- ☆ Max. (ID) is 24"

- ★ Unavailable in (ID)
- ★+ (TKD) option is unavailable

- PE
- APC
- APFC
- FPFB
- MI
- DE
- OE
- AD\_E
- CW
- RD
- ☆ ID
- CH
- IF
- TWR
- WR
- XS
- XSB
- ☆ GD
- PTKV
- RTK
- VTK
- ☆ TKD

### Vanity Sink Base Four Door



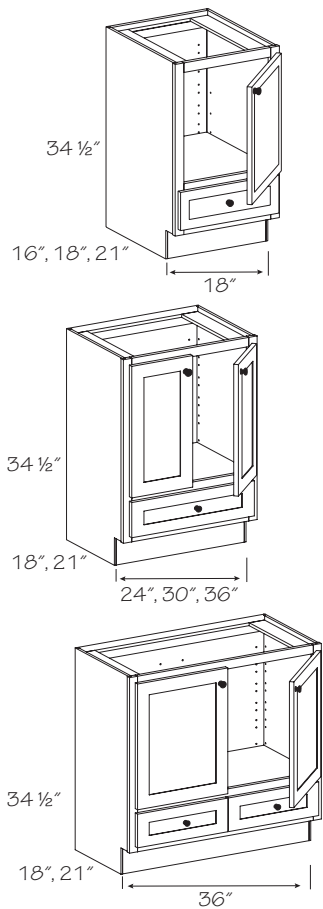
- 31 1/2" High, 18" Deep
  - ★ **VSB481831**
  - ★ **VSB601831**
- 31 1/2" High, 21" Deep
  - VSB482131**
  - VSB602131**
- 34 1/2" High, 18" Deep
  - ★ **VSB481834**
  - ★ **VSB601834**
- 34 1/2" High, 21" Deep
  - VSB482134**
  - VSB602134**

- Two working drawers with one false drawer front
- ☆ Max. (ID) is 24"

- ★ Unavailable in (ID)

- PE
- APC
- APFC
- FPFB
- MI
- DE
- OE
- AD\_E
- CW
- RD
- ☆ ID
- CH
- IF
- TWR
- WR
- XS
- XSB
- GD
- PTKV
- RTK
- VTK
- TKD

### Vanity Sink Base Bottom Drawer



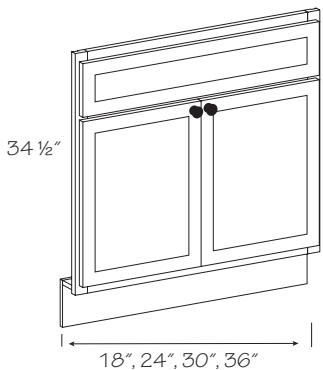
- 16" Deep
- +★ **VSB181634 R or L.BD**
- 18" Deep
- ★ **VSB181834 R or L.BD**
- ★○ **VSB241834 .BD**
- ★ **VSB301834 .BD**
- ★ **VSB361834 .BD**
- ★▲ **VSB361834 .2BD**
- 21" Deep
- VSB182134 R or L.BD**
- **VSB242134 .BD**
- VSB302134 .BD**
- VSB362134 .BD**
- ▲ **VSB362134 .2BD**

- + (AD\_E) option unavailable
- ★ Unavailable in (ID)
- (CW) option unavailable
- ▲ Two drawers side by side

- Specify R or L for single door hinging
- 2 1/4" high drawer box
- ☆ Max. (ID) is 24"

- PE
- APC
- APFC
- FPFB
- MI
- DE
- OE
- ☆ AD\_E
- ☆ CW
- RD
- ☆ ID
- CH
- IF
- TWR
- WR
- XS
- XSB
- GD
- PTKV
- RTK
- VTK
- TKD

### Vanity Sink Front

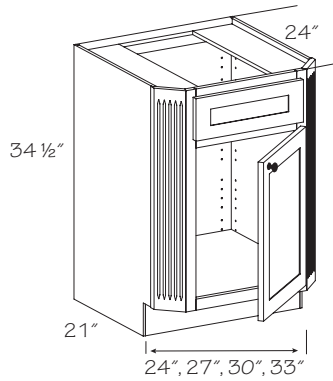


- VSF1834 R or L**
- **VSF2434**
- VSF3034**
- VSF3634**
- (CW) option unavailable

- Specify R or L for single door hinging
- Includes floor; shipped loose
- Toe kick included
- Optional Utensil Trays (UT and SUT) are available
- Unable to be trimmed

- PE
- APC
- APFC
- FPFB
- MI
- DE
- OE
- AD\_E
- ☆ CW
- RD
- ID
- CH
- IF
- TWR
- WR
- XS
- XSB
- GD
- PTKV
- RTK
- VTK
- TKD

### Vanity Sink Base - Fluted Clipped Corners

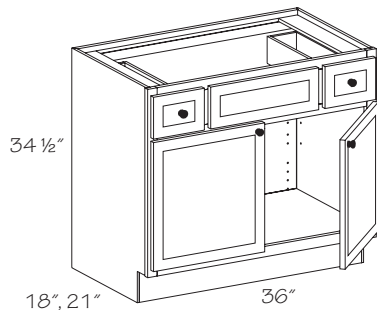


**VSBFCC242434 R or L**  
**VSBFCC272434 R or L**  
**VSBFCC302434**  
**VSBFCC332434**

- Specify R or L for single door hinging
- Angled stiles extend 3" each side
- No shelf
- Single drawer front
- Optional Utensil Trays (UT and SUT) are available
- Optional Door Storage Unit is available
- Factory installed Roll-out Trays are unavailable
- Quartersawn door styles are supplied plain sawn

- PE
- APC
- APFC
- FPFB
- MI
- DE
- OE
- AD\_E
- CW
- RD
- ID
- CH
- IF
- TWR
- WR
- XS
- XSB
- GD
- PTKV
- RTK
- VTK
- TKD

### Vanity Sink Base Two Drawer



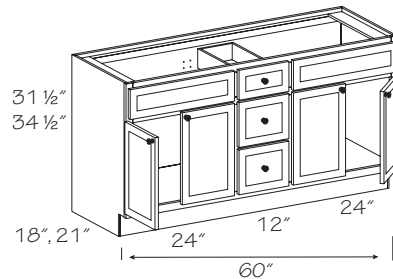
18" Deep  
 ★ **VSB361834 .2**  
 21" Deep  
**VSB362134 .2**

- (CH) option unavailable
- ★ Unavailable in (ID)

- Two working drawers
- 18" center section with false drawer front
- ☆ Max. (ID) is 24"

- PE
- APC
- APFC
- FPFB
- MI
- DE
- OE
- AD\_E
- CW
- RD
- ☆ ID
- ☆ CH
- IF
- TWR
- WR
- XS
- XSB
- GD
- PTKV
- RTK
- VTK
- TKD

### Vanity Sink Base Three Drawer



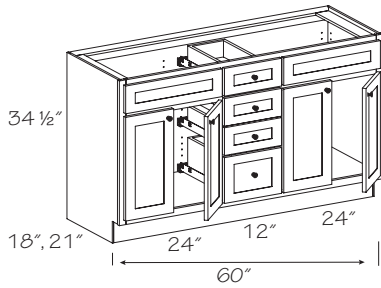
18" Deep  
 ★ **VSB601831 .3**  
 ★ **VSB601834 .3**  
 21" Deep  
 ■ **VSB602131 .3**  
 ■ **VSB602134 .3**

- Unavailable with (OE) option
- ★ Unavailable in (ID)

- Two pair of butt doors
- Three drawer stack in center
- Optional Vanity Wood Tiered Drawer Storage, Vanity Shallow Wood Tiered Drawer Storage and Vanity Adjustable Drawer Divider are available
- ☆ Max. (ID) is 24"

- PE
- APC
- APFC
- FPFB
- MI
- DE
- ☆ OE
- AD\_E
- CW
- RD
- ☆ ID
- CH
- IF
- TWR
- WR
- XS
- XSB
- GD
- PTKV
- RTK
- VTK
- TKD

### Vanity Sink Base Four Drawer

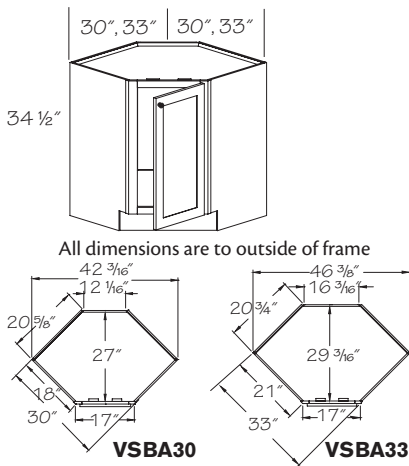


- 18" Deep  
★ **VSB601834 .4**
- 21" Deep  
★ **VSB602134 .4**
- ★ Unavailable in (ID)

- Two pair of butt doors
- Four drawer stack in center
- Three standard height drawers
- One deep drawer
- Two drawer fronts
- Scoop Top Drawer option available
- Optional Vanity Wood Tiered Drawer Storage, Vanity Shallow Wood Tiered Drawer Storage and Vanity Adjustable Drawer Divider are available
- ☆ Max. (ID) is 24"

- PE
- APC
- APFC
- FPEB
- MI
- DE
- OE
- AD\_E
- CW
- RD
- ☆ ID
- CH
- IF
- TWR
- WR
- XS
- XSB
- GD
- PTKV
- RTK
- VTK
- TKD

### Vanity Sink Base Angle - Full-Height



- VSBA301834 R or L.FH**
- VSBA332134 R or L.FH**

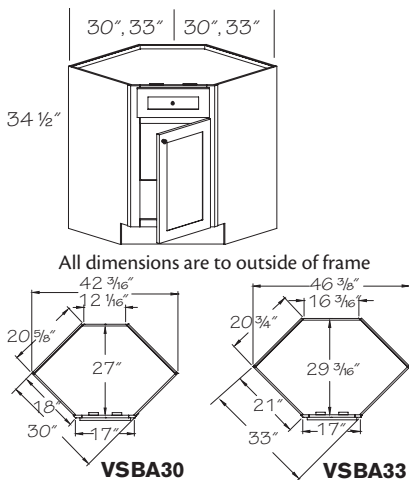
- Specify R or L for single door hinging
- No shelf
- Angled back provides clearance for installation
- Back Options (BEB and VGRB) unavailable
- Contrasting Back Options (CBEB, CPLB) unavailable
- **Note:** Full overlay door styles use a 1/2" overlay hinge



Full overlay doors on cabinets with an angled front are intentionally narrower to allow proper clearance of adjacent cabinets

- PE
- APC
- APFC
- FPEB
- MI
- DE
- OE
- AD\_E
- CW
- RD
- ID
- CH
- IF
- TWR
- WR
- XS
- XSB
- GD
- PTKV
- RTK
- VTK
- TKD

### Vanity Sink Base Angle - Single Door



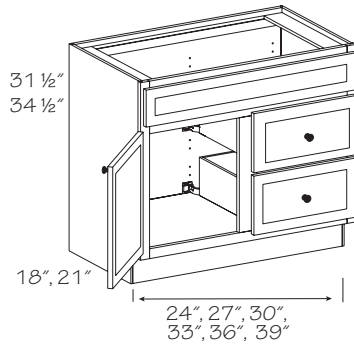
- VSBA301834 R or L**
- VSBA332134 R or L**

- Specify R or L for single door hinging
- No shelf
- One drawer front
- Optional Utensil Trays (UT and SUT) are available
- Angled back provides clearance for installation
- Back Options (BEB and VGRB) unavailable
- Contrasting Back Options (CBEB, CPLB) unavailable
- **Note:** Full overlay door styles use a 1/2" overlay hinge

- PE
- APC
- APFC
- FPEB
- MI
- DE
- OE
- AD\_E
- CW
- RD
- ID
- CH
- IF
- TWR
- WR
- XS
- XSB
- GD
- PTKV
- RTK
- VTK
- TKD



## Vanity Combination Drawer (2)



### Drawers Left

31 1/2" High, 18" Deep

★ VCD241831 DL2	12-12
★ VCD271831 DL2	12-15
★ VCD301831 DL2	12-18
★ VCD331831 DL2	12-21
★ VCD361831 DL2	15-21
★ VCD391831 DL2	15-24

### Drawer-Door widths

31 1/2" High, 21" Deep

VCD242131 DL2	12-12
VCD272131 DL2	12-15
VCD302131 DL2	12-18
VCD332131 DL2	12-21
VCD362131 DL2	15-21
VCD392131 DL2	15-24

34" High, 18" Deep

★ VCD241834 DL2	12-12
★ VCD271834 DL2	12-15
★ VCD301834 DL2	12-18
★ VCD331834 DL2	12-21
★ VCD361834 DL2	15-21
★ VCD391834 DL2	15-24

34" High, 21" Deep

VCD242134 DL2	12-12
VCD272134 DL2	12-15
VCD302134 DL2	12-18
VCD332134 DL2	12-21
VCD362134 DL2	15-21
VCD392134 DL2	15-24

### Drawers Right

31 1/2" High, 18" Deep

★ VCD241831 DR2	12-12
★ VCD271831 DR2	15-12
★ VCD301831 DR2	18-12
★ VCD331831 DR2	21-12
★ VCD361831 DR2	21-15
★ VCD391831 DR2	24-15

### Door-Drawer widths

31 1/2" High, 21" Deep

VCD242131 DR2	12-12
VCD272131 DR2	15-12
VCD302131 DR2	18-12
VCD332131 DR2	21-12
VCD362131 DR2	21-15
VCD392131 DR2	24-15

34 1/2" High, 18" Deep

★ VCD241834 DR2	12-12
★ VCD271834 DR2	15-12
★ VCD301834 DR2	18-12
★ VCD331834 DR2	21-12
★ VCD361834 DR2	21-15
★ VCD391834 DR2	24-15

34 1/2" High, 21" Deep

VCD242134 DR2	12-12
VCD272134 DR2	15-12
VCD302134 DR2	18-12
VCD332134 DR2	21-12
VCD362134 DR2	21-15
VCD392134 DR2	24-15

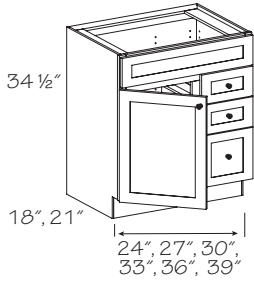
★ Unavailable in (ID)

- Two deep drawers
  - One drawer front
  - Optional Vanity Wood Tiered Drawer Storage, Vanity Shallow Wood Tiered Drawer Storage and Vanity Adjustable Drawer Divider are available
- ☆ Max. (ID) is 24"

- PE
- APC
- APFC
- FPFB
- MI
- DE
- OE
- AD\_E
- CW
- RD
- ☆ ID
- CH
- IF
- TWR
- WR
- XS
- XSB
- GD
- PTKV
- RTK
- VTK
- TKD

Cabinet	Max. Opening from Frame Stile to Drawer Box	Max. Opening from Frame Stile to Frame Stile	Max. Depth from Top of Cabinet to 1st Drawer Box
VCD24_31(DR/DL2)	12" L/R Sink Offset	21" Sink Center	8 3/8" Sink Center
VCD27_31(DR/DL2)	15" L/R Sink Offset	24" Sink Center	8 3/8" Sink Center
VCD30_31(DR/DL2)	18" L/R Sink Offset	27" Sink Center	8 3/8" Sink Center
VCD33_31(DR/DL2)	21" L/R Sink Offset	30" Sink Center	8 3/8" Sink Center
VCD36_31(DR/DL2)	21" L/R Sink Offset	33" Sink Center	8 3/8" Sink Center
VCD39_31(DR/DL2)	24" L/R Sink Offset	36" Sink Center	8 3/8" Sink Center
VCD24_34(DR/DL2)	12" L/R Sink Offset	21" Sink Center	9 7/8" Sink Center
VCD27_34(DR/DL2)	15" L/R Sink Offset	24" Sink Center	9 7/8" Sink Center
VCD30_34(DR/DL2)	18" L/R Sink Offset	27" Sink Center	9 7/8" Sink Center
VCD33_34(DR/DL2)	21" L/R Sink Offset	30" Sink Center	9 7/8" Sink Center
VCD36_34(DR/DL2)	21" L/R Sink Offset	33" Sink Center	9 7/8" Sink Center
VCD39_34(DR/DL2)	24" L/R Sink Offset	36" Sink Center	9 7/8" Sink Center

### Vanity Combination Drawer (3)



- Drawers Left*
- 34 1/2" High, 18" Deep
- ★※ **VCD241834 DL3** 12-12
  - ★ **VCD271834 DL3** 12-15
  - ★ **VCD301834 DL3** 12-18
  - ★ **VCD331834 DL3** 12-21
  - ★ **VCD361834 DL3** 15-21
  - ★ **VCD391834 DL3** 15-24
- 34 1/2" High, 21" Deep
- ※ **VCD242134 DL3** 12-12
  - ※ **VCD272134 DL3** 12-15
  - ※ **VCD302134 DL3** 12-18
  - ※ **VCD332134 DL3** 12-21
  - ※ **VCD362134 DL3** 15-21
  - ※ **VCD392134 DL3** 15-24
- Drawer-Door widths*

- One drawer front
  - Two standard drawers
  - One deep drawer
  - Optional Door Storage Unit is available
  - Optional Vanity Wood Tiered Drawer Storage, Vanity Shallow Wood Tiered Drawer Storage and Vanity Adjustable Drawer Divider are available
- ☆ Max. (ID) is 24"

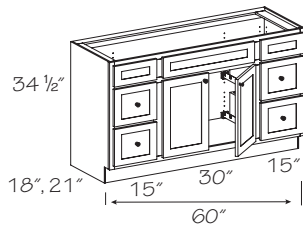
- Drawers Right*
- 34 1/2" High, 18" Deep
- ★※ **VCD241834 DR3** 12-12
  - ★ **VCD271834 DR3** 15-12
  - ★ **VCD301834 DR3** 18-12
  - ★ **VCD331834 DR3** 21-12
  - ★ **VCD361834 DR3** 21-15
  - ★ **VCD391834 DR3** 24-15
- 34 1/2" High, 21" Deep
- ※ **VCD242134 DR3** 12-12
  - ※ **VCD272134 DR3** 15-12
  - ※ **VCD302134 DR3** 18-12
  - ※ **VCD332134 DR3** 21-12
  - ※ **VCD362134 DR3** 21-15
  - ※ **VCD392134 DR3** 24-15
- Door-Drawer widths*

- ※ Sink Base Door Storage Unit unavailable
- ★ Unavailable in (ID)

Cabinet	Max. Opening from Frame Stile to Drawer Box	Max. Opening from Frame Stile to Frame Stile	Max. Depth from Top of Cabinet to 1st Drawer Box
VCD24_34(DR/DL3)	12" L/R Sink Offset	21" Sink Center	8 1/8" Sink Center
VCD27_34(DR/DL3)	15" L/R Sink Offset	24" Sink Center	8 1/8" Sink Center
VCD30_34(DR/DL3)	18" L/R Sink Offset	27" Sink Center	8 1/8" Sink Center
VCD33_34(DR/DL3)	21" L/R Sink Offset	30" Sink Center	8 1/8" Sink Center
VCD36_34(DR/DL3)	21" L/R Sink Offset	33" Sink Center	8 1/8" Sink Center
VCD39_34(DR/DL3)	24" L/R Sink Offset	36" Sink Center	8 1/8" Sink Center

- PE
- APC
- APFC
- FPFB
- MI
- DE
- OE
- AD\_E
- CW
- RD
- ☆ ID
- CH
- IF
- TWR
- WR
- XS
- XSB
- GD
- PTKV
- RTK
- VTK
- TKD

### Vanity Combination Drawer - Full False Front (4)



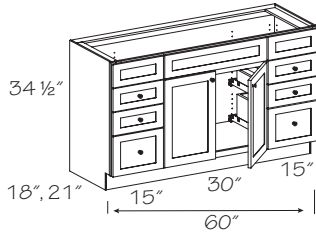
- 18" Deep
- ★ **VCDF601834 .4**
- 21" Deep
- ★ **VCDF602134 .4**
- ★ Unavailable in (ID)

- Four deep drawers
  - Three drawer fronts
  - Optional Vanity Wood Tiered Drawer Storage, Vanity Shallow Wood Tiered Drawer Storage and Vanity Adjustable Drawer Divider are available
- ☆ Max. (ID) is 24"

Cabinet	Max. Opening from Drawer Box to Drawer Box
VCDF60_34.4	33" Sink Center

- PE
- APC
- APFC
- FPFB
- MI
- DE
- OE
- AD\_E
- CW
- RD
- ☆ ID
- CH
- IF
- TWR
- WR
- XS
- XSB
- GD
- PTKV
- RTK
- VTK
- TKD

### Vanity Combination Drawer - Full False Front (6)



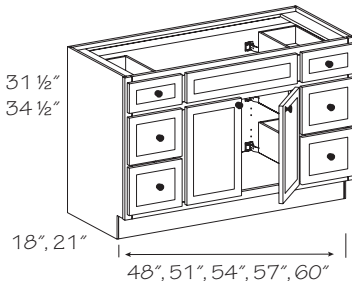
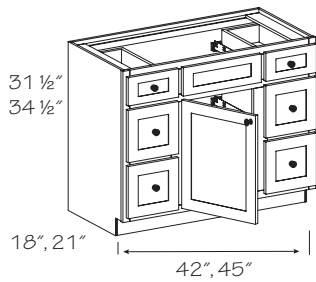
Cabinet	Max. Opening from Drawer Box to Drawer Box
VCDF60_34.6	33" Sink Center

- 18" Deep
- ★ VCDF601834 .6
- 21" Deep
- VCDF602134 .6
- ★ Unavailable in (ID)

- Four standard drawers
- Two deep drawers
- Three drawer fronts
- Optional Door Storage Unit is available
- Optional Vanity Wood Tiered Drawer Storage, Vanity Shallow Wood Tiered Drawer Storage and Vanity Adjustable Drawer Divider are available
- ☆ Max. (ID) is 24"

- PE
- APC
- APFC
- FPFB
- MI
- DE
- OE
- AD\_E
- CW
- RD
- ☆ ID
- CH
- IF
- TWR
- WR
- XS
- XSB
- GD
- PTKV
- RTK
- VTK
- TKD

### Vanity Combination Drawer (6)



- |                        |                    |
|------------------------|--------------------|
| 31 1/2" High, 18" Deep | Drawer-Door-Drawer |
| ★★ VCD421831 R or L.6  | 12"-18"-12"        |
| ★▲ VCD451831 R or L.6  | 12"-21"-12"        |
| ★ VCD481831 .6         | 12"-24"-12"        |
| ★ VCD511831 .6         | 12"-27"-12"        |
| ★ VCD541831 .6         | 15"-24"-15"        |
| ★ VCD571831 .6         | 15"-27"-15"        |
| ★ VCD601831 .6         | 15"-30"-15"        |
| 31 1/2" High, 21" Deep |                    |
| ★▲ VCD422131 R or L.6  | 12"-18"-12"        |
| ▲ VCD452131 R or L.6   | 12"-21"-12"        |
| VCD482131 .6           | 12"-24"-12"        |
| VCD512131 .6           | 12"-27"-12"        |
| VCD542131 .6           | 15"-24"-15"        |
| VCD572131 .6           | 15"-27"-15"        |
| VCD602131 .6           | 15"-30"-15"        |
| 34 1/2" High, 18" Deep |                    |
| ★★ VCD421834 R or L.6  | 12"-18"-12"        |
| ★▲ VCD451834 R or L.6  | 12"-21"-12"        |
| ★ VCD481834 .6         | 12"-24"-12"        |
| ★ VCD511834 .6         | 12"-27"-12"        |
| ★ VCD541834 .6         | 15"-24"-15"        |
| ★ VCD571834 .6         | 15"-27"-15"        |
| ★ VCD601834 .6         | 15"-30"-15"        |
| 34 1/2" High, 21" Deep |                    |
| ★▲ VCD422134 R or L.6  | 12"-18"-12"        |
| ▲ VCD452134 R or L.6   | 12"-21"-12"        |
| VCD482134 .6           | 12"-24"-12"        |
| VCD512134 .6           | 12"-27"-12"        |
| VCD542134 .6           | 15"-24"-15"        |
| VCD572134 .6           | 15"-27"-15"        |
| VCD602134 .6           | 15"-30"-15"        |

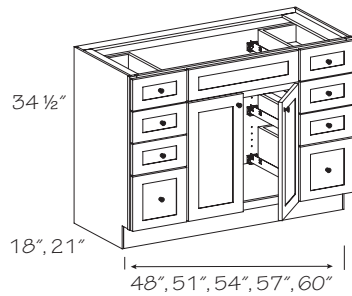
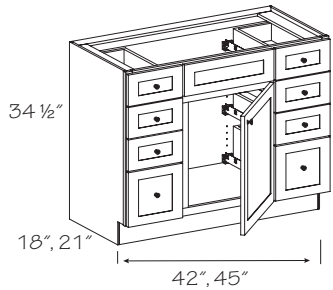
- Specify R or L for single door hinging
- Two standard drawers
- Four deep drawers
- One drawer front
- Optional Vanity Wood Tiered Drawer Storage, Vanity Shallow Wood Tiered Drawer Storage and Vanity Adjustable Drawer Divider are available
- ☆ Max. (ID) is 24"

- PE
- APC
- APFC
- FPFB
- MI
- DE
- OE
- AD\_E
- CW
- RD
- ☆ ID
- CH
- IF
- TWR
- WR
- XS
- XSB
- GD
- PTKV
- RTK
- VTK
- ☆ TKD

- ▲ Optional Door Storage Unit is available
- ★ Available with (TKD) option
- ★ Unavailable in (ID)

Cabinet	Max. Opening from Drawer Box to Drawer Box
VCD42_.6	21" Sink Center
VCD45_.6	24" Sink Center
VCD48_.6	27" Sink Center
VCD51_.6	30" Sink Center
VCD54_.6	27" Sink Center
VCD57_.6	30" Sink Center
VCD60_.6	27" Sink Center

## Vanity Combination Drawer (8)



18" Deep		Drawer-Door-Drawer
✦✦▲	<b>VCD421834 R or L.8</b>	12"-18"-12"
✦▲	<b>VCD451834 R or L.8</b>	12"-21"-12"
✦	<b>VCD481834 .8</b>	12"-24"-12"
✦	<b>VCD511834 .8</b>	12"-27"-12"
✦	<b>VCD541834 .8</b>	15"-24"-15"
✦	<b>VCD571834 .8</b>	15"-27"-15"
✦▲	<b>VCD601834 .8</b>	15"-30"-15"
21" Deep		
✦▲	<b>VCD422134 R or L.8</b>	12"-18"-12"
▲	<b>VCD452134 R or L.8</b>	12"-21"-12"
	<b>VCD482134 .8</b>	12"-24"-12"
	<b>VCD512134 .8</b>	12"-27"-12"
	<b>VCD542134 .8</b>	15"-24"-15"
	<b>VCD572134 .8</b>	15"-27"-15"
	<b>VCD602134 .8</b>	15"-30"-15"

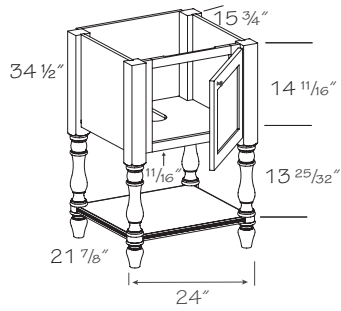
- ▲ Optional Door Storage Unit is available
- ✦ Available with (TKD) option
- ✦ Unavailable in (ID)

- Specify R or L for single door hinging
- Six standard drawers
- Two deep drawers
- Scoop Top Drawer option available
- Optional Vanity Wood Tiered Drawer Storage, Vanity Shallow Wood Tiered Drawer Storage and Vanity Adjustable Drawer Divider are available
- ☆ Max. (ID) is 24"

- PE
- APC
- APFC
- FPFB
- MI
- DE
- OE
- AD\_E
- CW
- RD
- ☆ ID
- CH
- IF
- TWR
- WR
- XS
- XSB
- GD
- PTKV
- RTK
- VTK
- ☆ TKD

Cabinet	Max. Opening from Drawer Box to Drawer Box
VCD42_.8	21" Sink Center
VCD45_.8	24" Sink Center
VCD48_.8	27" Sink Center
VCD51_.8	30" Sink Center
VCD54_.8	27" Sink Center
VCD57_.8	30" Sink Center
VCD60_.8	33" Sink Center

## Console Vanity



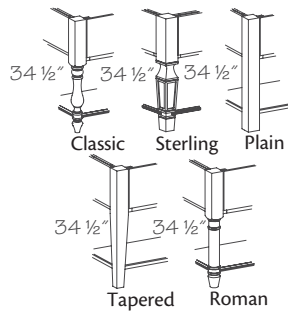
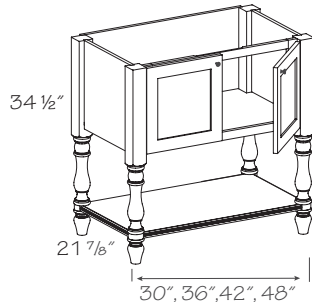
*Classic Leg*  
**VCN242134 R or L.CLS**  
**VCN302134 .CLS**  
**VCN362134 .CLS**  
**VCN422134 .CLS**  
**VCN482134 .CLS**

*Plain Square Post*  
**VCN242134 R or L.PSP**  
**VCN302134 .PSP**  
**VCN362134 .PSP**  
**VCN422134 .PSP**  
**VCN482134 .PSP**

*Roman Spindle*  
**VCN242134 R or L.RSP**  
**VCN302134 .RSP**  
**VCN362134 .RSP**  
**VCN422134 .RSP**  
**VCN482134 .RSP**

*Sterling Leg*  
**VCN242134 R or L.STL**  
**VCN302134 .STL**  
**VCN362134 .STL**  
**VCN422134 .STL**  
**VCN482134 .STL**

*Tapered Leg*  
**VCN242134 R or L.TPL**  
**VCN302134 .TPL**  
**VCN362134 .TPL**  
**VCN422134 .TPL**  
**VCN482134 .TPL**



- Specify R or L for single door hinging
- Available in full overlay door styles only
- Available in Cherry, EverCore®, High-Gloss Foil, Laminate, Wood-Grain Foil and Maple door styles only
- Painted hardwood supplied for EverCore® and Thermofoil
- Painted hardwood supplied for Wood-Grain Foil door styles; only available in white
- Open area height from top of bottom shelf to cabinet frame is 13"
- Plumbing cutout is centered; measures 4 1/4" x 10"
- Contrasting Back Options (CBEB, CPLB) unavailable
- Console Vanity Deluxe Roll-Out Tray is available for factory or field installation in 30", 36" and 42" VCN wide cabinets



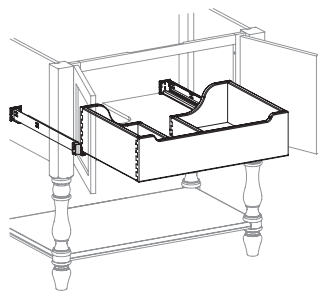
For a finished look, we recommend attaching replacement doors to the end panels (RD1515NH.B - sold separately, qty. 2 needed if covering both ends)



In order to complete the furniture look on your console vanity, limit your countertop overhang to 1/8" on the front and both sides. A standard size vanity countertop will work with the console vanity, but keep in mind the countertop overhang to the front will only be 1/8"; overhang on the sides will be 1/2". Be sure to account for the positioning of the vanity bowl in relation to the cabinet. If you use a large vanity bowl or if your bowl is positioned too far forward, you may need to notch the inside top rail of the frame in order to accommodate the bowl.

PE
APC
APFC
FPEB
MI
DE
OE
AD_E
CW
RD
ID
CH
IF
TWR
WR
XS
XSB
GD
PTKV
RTK
VTK
TKD

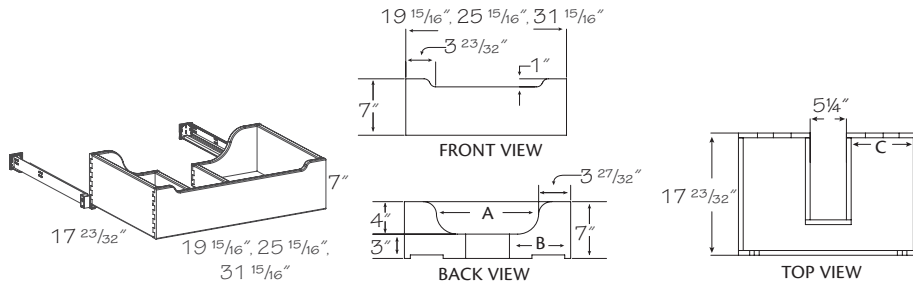
## Console Vanity Deluxe Roll-Out Tray



*Factory Installed*  
**1CDXROT30**  
**1CDXROT36**  
**1CDXROT42**

*Field Installed*  
**CDXROT30**  
**CDXROT36**  
**CDXROT42**

- Designed specifically for Console Vanity cabinets
- Full extension runner, pulls out past the face frame
- Trays are 7" high and 17 23/32" deep



Roll-out Tray	Dim. A	Dim. B	Dim. C
CDXROT30	12 1/4"	17 11/32"	5 15/16"
CDXROT36	15 1/4"	10 11/32"	8 15/16"
CDXROT42	18 1/4"	13 11/32"	11 15/16"

PE
APC
APFC
FPEB
MI
DE
OE
AD_E
CW
RD
ID
CH
IF
TWR
WR
XS
XSB
GD
PTKV
RTK
VTK
TKD

# Vanity Tall Cabinets

## Construction Options and Modifications

- ❖ Included as standard
- Available with an upcharge
- ☆ Available with exceptions
- (Blank) Unavailable

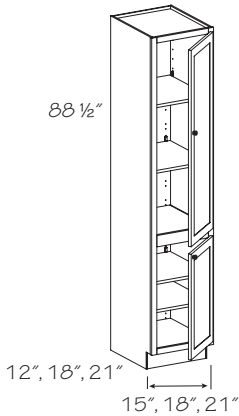
- PE Plywood Ends
- APC All Plywood Construction
- APFC All Plywood Furniture Construction
- FPEB Furniture Plywood Ends
- MI Matching Interior
- DE Integrated Decorative End
- OE Operational End
- AD\_E Attached Decorative End
- CW Change Width
- RD Reduced Depth
- ID Increased Depth
- CH Change Height
- IF Inverted Frame
- TWR Top Wide Rail
- WR Wide Bottom Rail
- XS Extended Stile
- GD Glass Doors
- PTKV Prepared for Toe Kick Vent
- RTK Recessed Toe Kick
- VTK Void Toe Kick
- TKD Toe Kick Drawer

**Note:** Standard vanity cabinet box depth is 18" or 21" unless stated otherwise. Add door thickness for total depth. Standard vanity cabinet height is 34 1/2" unless stated otherwise.

All double door cabinets will have butt doors unless stated otherwise. When BUTT is in all capitals, it **must** be included as part of your ordering nomenclature. A (Butt) in parentheses is for your information and isn't required on an order form.

Material dimensions listed may vary slightly from actual dimensions of the product. Specifications subject to change without notice.

### Vanity Linen Cabinet 88 1/2" H



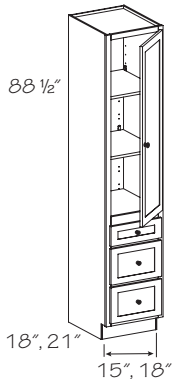
- 12" Deep
- ❖ **VLC151288 R or L**
- ❖ **VLC181288 R or L**
- ❖ **VLC211288 R or L**
- 18" Deep
- ☆ **VLC151888 R or L**
- ☆ **VLC181888 R or L**
- ☆ **VLC211888 R or L**
- 21" Deep
- ❖ **VLC152188 R or L**
- ❖ **VLC182188 R or L**
- ❖ **VLC212188 R or L**

- ❖ (TKD) option is unavailable
- ☆ Unavailable in (ID)

- Specify R or L for single door hinging
- Four adjustable shelves
- Unavailable in mitered Wood-Grain Foil door styles
- ☆ Glass inserts unavailable Top and Bottom, Top and Bottom and End, Top and Bottom and Ends Both
- ☆ Max. (ID) is 24"

- PE
- APC
- APFC
- FPEB
- MI
- DE
- OE
- AD\_E
- CW
- RD
- ☆ ID
- CH
- IF
- TWR
- WR
- XS
- ☆ GD
- PTKV
- RTK
- VTK
- ☆ TKD

### Vanity Linen Cabinet Three Drawer



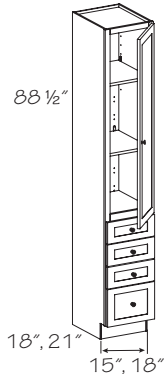
- 18" Deep
- ☆ **VLC151888 R or L.3**
- ☆ **VLC181888 R or L.3**
- 21" Deep
- ☆ **VLC152188 R or L.3**
- ☆ **VLC182188 R or L.3**

- ☆ Unavailable in (ID)

- Specify R or L for single door hinging
- Two adjustable shelves in upper section
- One standard drawer
- Two deep drawers
- Optional Vanity Wood Tiered Drawer Storage, Vanity Shallow Wood Tiered Drawer Storage and Vanity Adjustable Drawer Divider are available
- Unavailable in mitered Wood-Grain Foil door styles
- ☆ Max. (ID) is 24"

- PE
- APC
- APFC
- FPEB
- MI
- DE
- OE
- AD\_E
- CW
- RD
- ☆ ID
- CH
- IF
- TWR
- WR
- XS
- GD
- PTKV
- RTK
- VTK
- TKD

### Vanity Linen Cabinet Four Drawer

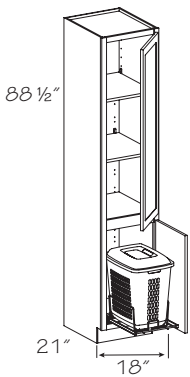


- 18" Deep
- ★ **VLC151888 R or L.4**
- ★ **VLC181888 R or L.4**
- 21" Deep
- VLC152188 R or L.4**
- VLC182188 R or L.4**
- ★ Unavailable in (ID)

- Specify R or L for single door hinging
- Two adjustable shelves in upper section
- Three standard height drawers
- One deep drawer
- Optional Vanity Wood Tiered Drawer Storage, Vanity Shallow Wood Tiered Drawer Storage and Vanity Adjustable Drawer Divider are available
- Unavailable in mitered Wood-Grain Foil door styles
- ☆ Max. (ID) is 24"

- PE
- APC
- APFC
- FPFB
- MI
- DE
- OE
- AD\_E
- CW
- RD
- ☆ ID
- CH
- IF
- TWR
- WR
- XS
- GD
- PTKV
- RTK
- VTK
- TKD

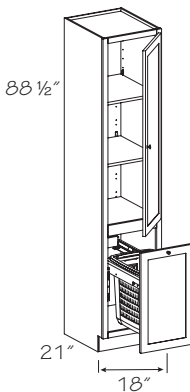
### Vanity Hamper Linen Cabinet 88 1/2" H VHLC182188 R or L



- Specify R or L for single door hinging
- Two adjustable, full-depth shelves
- Removable hamper
- Hamper is mold and mildew resistant white plastic
- Hamper has lid
- Hamper slides on full extension glides
- Hamper Dimensions: 14" W x 18 1/4" H x 18 5/8" D
- Unavailable in mitered Wood-Grain Foil door styles

- PE
- APC
- APFC
- FPFB
- MI
- DE
- OE
- AD\_E
- CW
- RD
- ID
- CH
- IF
- TWR
- WR
- XS
- GD
- PTKV
- RTK
- VTK
- TKD

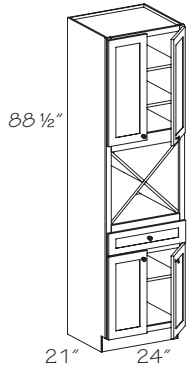
### Vanity Hamper Linen Cabinet Top Mount 88 1/2" H VHLC182188 R or L



- Specify R or L for single door hinging
- Two adjustable, full-depth shelves
- Hamper is mold and mildew resistant white plastic
- Hamper is easily removable for emptying or cleaning
- Hamper has lid
- Frame slides on extra-extended full extension glides
- Hamper Dimensions: 14" W x 18 1/4" H x 18 5/8" D
- Unavailable in mitered Wood-Grain Foil door styles

- PE
- APC
- APFC
- FPFB
- MI
- DE
- OE
- AD\_E
- CW
- RD
- ID
- CH
- IF
- TWR
- WR
- XS
- GD
- PTKV
- RTK
- VTK
- TKD

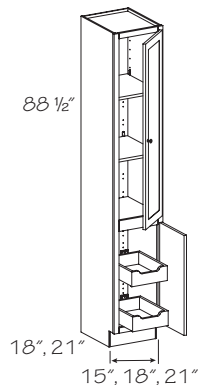
**Vanity Linen Towel Storage**  
**VTL242188**



- One full-depth shelf in lower section
- Two full-depth shelves in upper section
- One standard drawer
- Unavailable in mitered Wood-Grain Foil door styles

PE
❖ APC
● APFC
FPEB
❖ MI
DE
OE
● AD_E
CW
RD
ID
CH
IF
TWR
● WR
● XS
● GD
● PTKV
● RTK
● VTK
● TKD

**Vanity Linen Cabinet Deluxe Roll-out Tray (2)**

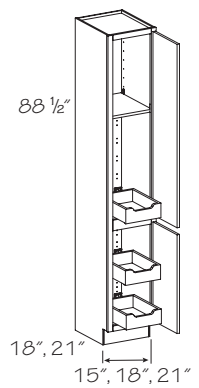


- 18" Deep
- ★ **VLC151888 R or L.2DXROT**
  - ★ **VLC181888 R or L.2DXROT**
  - ★ **VLC211888 R or L.2DXROT**
- 21" Deep
- ★ **VLC152188 R or L.2DXROT**
  - ★ **VLC182188 R or L.2DXROT**
  - ★ **VLC212188 R or L.2DXROT**
- ★ Unavailable in (ID)

- Specify R or L for single door hinging
- Two adjustable shelves in upper section
- Roll-out Trays are 4" deep, 5/8" solid wood dovetailed sides with 3/16" plywood bottom, notched front and full extension runners with integrated buffer
- Unavailable in mitered Wood-Grain Foil door styles
- ☆ Glass doors available for top doors only
- ☆ Max. (ID) is 24"

● PE
● APC
● APFC
● FPEB
● MI
● DE
OE
● AD_E
● CW
● RD
☆ ID
CH
IF
TWR
● WR
● XS
☆ GD
● PTKV
● RTK
● VTK
● TKD

**Vanity Linen Cabinet Deluxe Roll-out Tray (3)**



- 18" Deep
- ★ **VLC151888 R or L.3DXROT**
  - ★ **VLC181888 R or L.3DXROT**
  - ★ **VLC211888 R or L.3DXROT**
- 21" Deep
- ★ **VLC152188 R or L.3DXROT**
  - ★ **VLC182188 R or L.3DXROT**
  - ★ **VLC212188 R or L.3DXROT**
- ★ Unavailable in (ID)

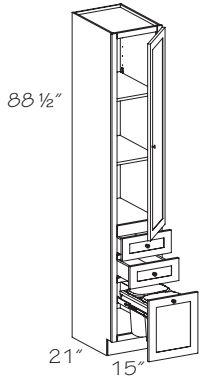
- Specify R or L for single door hinging
- One adjustable full-depth shelf in upper section
- Roll-out Trays are 4" deep, 5/8" solid wood dovetailed sides with 3/16" plywood bottom, notched front and full extension runners with integrated buffer
- Unavailable in mitered Wood-Grain Foil door styles
- ☆ Glass doors available for top doors only
- ☆ Max. (ID) is 24"

● PE
● APC
● APFC
● FPEB
● MI
● DE
OE
● AD_E
● CW
● RD
☆ ID
CH
IF
TWR
● WR
● XS
☆ GD
● PTKV
● RTK
● VTK
● TKD



## Vanity Linen Cabinet Top Mount Wastebasket - Double 88 1/2" H

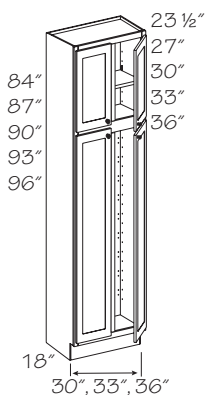
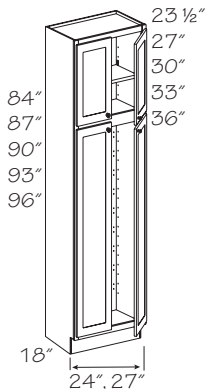
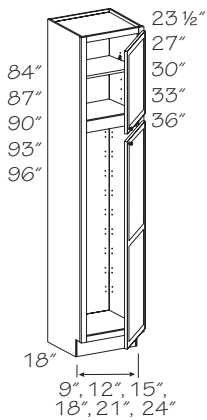
### VLCWBT152188 R or L.2



- Specify R or L for single door hinging
- Two adjustable, full-depth shelves
- Two standard drawers
- 10 qt. capacity baskets
- Basket(s) rest in a Natural Maple plywood frame
- Basket(s) are easily removable for emptying or cleaning
- Frame slides on full extension glides
- Optional Wastebasket Drawer Partition (WDP) is available
- Unavailable in mitered Wood-Grain Foil door styles

●	PE
●	APC
●	APFC
●	FPEB
●	MI
●	DE
●	OE
●	AD_E
●	CW
●	RD
●	ID
●	CH
●	IF
●	TWR
●	WR
●	XS
●	GD
●	PTKV
●	RTK
●	VTK
●	TKD

## Vanity Utility Cabinet 18" Deep



- 84" High**
- ◆◆◆○ VU91884 R or L
  - ◆ VU121884 R or L
  - ◆ VU151884 R or L
  - ◆ VU181884 R or L
  - ◆ VU211884 R or L
  - ◆ VU241884 R or L
  - VU241884 BUTT
  - VU271884 (Butt)
  - VU301884 BUTT
  - VU331884 BUTT
  - VU361884 BUTT
- 87" High**
- ◆◆◆○ VU91887 R or L
  - ◆ VU121887 R or L
  - ◆ VU151887 R or L
  - ◆ VU181887 R or L
  - ◆ VU211887 R or L
  - ◆ VU241887 R or L
  - VU241887 BUTT
  - VU271887 (Butt)
  - VU301887 BUTT
  - VU331887 BUTT
  - VU361887 BUTT
- 90" High**
- ◆◆◆○ VU91890 R or L
  - ◆ VU121890 R or L
  - ◆ VU151890 R or L
  - ◆ VU181890 R or L
  - ◆ VU211890 R or L
  - ◆ VU241890 R or L
  - VU241890 BUTT
  - VU271890 (Butt)
  - VU301890 BUTT
  - VU331890 BUTT
  - VU361890 BUTT
- 93" High**
- ◆◆○ VU91893 R or L
  - ◆ VU121893 R or L
  - ◆ VU151893 R or L
  - ◆ VU181893 R or L
  - ◆ VU211893 R or L
  - ◆ VU241893 R or L
  - VU241893 BUTT
  - VU271893 (Butt)
  - VU301893 BUTT
  - VU331893 BUTT
  - VU361893 BUTT
- 96" High**
- ◆◆○ VU91896 R or L
  - ◆ VU121896 R or L
  - ◆ VU151896 R or L
  - ◆ VU181896 R or L
  - ◆ VU211896 R or L
  - ◆ VU241896 R or L
  - VU241896 BUTT
  - VU271896 (Butt)
  - VU301896 BUTT
  - VU331896 BUTT
  - VU361896 BUTT

- Specify R or L for single door hinging
- Includes adjustable shelves in upper section: 84" & 87" high-one shelf; 90" & 93" high-two shelves; 96" high-three shelves
- No center rail on tall door for Mitered, Slab, Wood-Grain Foil and Raised Panel Thermofoil door styles or doors with glass inserts
- Factory installed Roll-out Trays are unavailable on Utility Cabinets wider than 24"
- ☆ When (IF) is chosen in arched door styles, VU18, VU24 and VU24BUTT cabinets will have arched doors. All other cabinet sizes will be supplied with square doors
- ☆ (VTK), (TKD), (WR), and (RTK) options are unavailable on 93" and 96" high cabinets
- ☆ (PTKV) is unavailable on cabinets less than 15" wide or 93" and 96" high cabinets
- Toe kick is shipped separately on 93" & 96" high cabinets
- ☆ Glass on top and bottom on select (GD) designs only
- **Note:** Order Shelf Kit for lower section separately

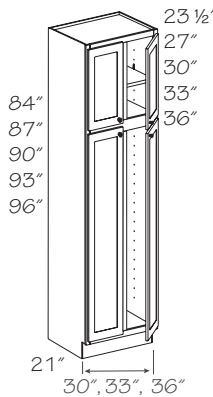
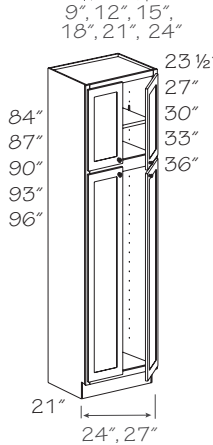
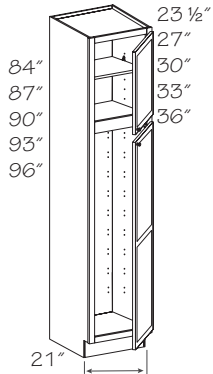


Remember to order a 3/16" skin (WSK) for the exposed ends of 93" & 96" high cabinets to conceal the seam between the loose toe kick and the cabinet.

- \* Doors are square except full overlay arch door styles. Thermofoil door styles will always be square. Veranda doors will have a solid, recessed flat panel
- (CW) option unavailable
- ◆ (TKD) option is unavailable
- ★ Glass door option unavailable
- (CH) option unavailable

●	PE
●	APC
●	APFC
●	FPEB
●	MI
●	DE
●	OE
●	AD_E
☆	CW
●	RD
☆	ID
☆	CH
☆	IF
☆	TWR
☆	WR
●	XS
☆	GD
☆	PTKV
☆	RTK
☆	VTK
☆	TKD

## Vanity Utility Cabinet 21" Deep



- 84" High**
- +\*\*○ VU92184 R or L
  - VU122184 R or L
  - VU152184 R or L
  - VU182184 R or L
  - VU212184 R or L
  - VU242184 R or L
  - VU242184 BUTT
  - VU272184 (Butt)
  - VU302184 BUTT
  - VU332184 BUTT
  - VU362184 BUTT

- 87" High**
- +\*\*○ VU92187 R or L
  - VU122187 R or L
  - VU152187 R or L
  - VU182187 R or L
  - VU212187 R or L
  - VU242187 R or L
  - VU242187 BUTT
  - VU272187 (Butt)
  - VU302187 BUTT
  - VU332187 BUTT
  - VU362187 BUTT

- 90" High**
- +\*\*○ VU92190 R or L
  - VU122190 R or L
  - VU152190 R or L
  - VU182190 R or L
  - VU212190 R or L
  - VU242190 R or L
  - VU242190 BUTT
  - VU272190 (Butt)
  - VU302190 BUTT
  - VU332190 BUTT
  - VU362190 BUTT

\* Doors are square except full overlay arch door styles. Thermofoil door styles will always be square. Veranda doors will have a solid, recessed flat panel

○ (CW) option unavailable

+ (TKD) option is unavailable

\* Glass door option unavailable

- 93" High**
- \*\*○ VU92193 R or L
  - VU122193 R or L
  - VU152193 R or L
  - VU182193 R or L
  - VU212193 R or L
  - VU242193 R or L
  - VU242193 BUTT
  - VU272193 (Butt)
  - VU302193 BUTT
  - VU332193 BUTT
  - VU362193 BUTT

- 96" High**
- \*\*○ VU92196 R or L
  - VU122196 R or L
  - VU152196 R or L
  - VU182196 R or L
  - VU212196 R or L
  - VU242196 R or L
  - VU242196 BUTT
  - VU272196 (Butt)
  - VU302196 BUTT
  - VU332196 BUTT
  - VU362196 BUTT

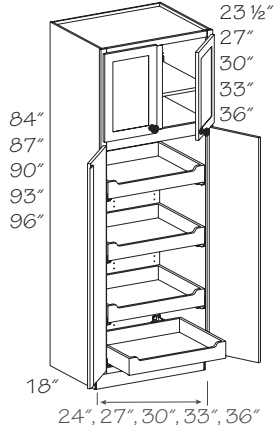
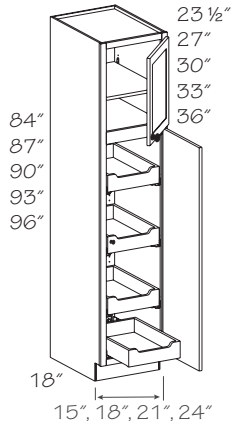
- Specify R or L for single door hinging
- Factory installed Roll-out Trays are unavailable on Utility Cabinets wider than 24"
- No center rail on tall door for Mitered, Slab, Wood-Grain Foil and Raised Panel Thermofoil door styles or doors with glass inserts
- ☆ When (IF) is chosen in arched door styles, VU18, VU24 and VU24BUTT cabinets will have arched doors. All other cabinet sizes will be supplied with square doors
- ☆ Max. (ID) is 24"
- ☆ (VTK), (TKD), (WR), and (RTK) options are unavailable on 93" and 96" high cabinets
- ☆ (PTKV) is unavailable on cabinets less than 15" wide or 93" and 96" high cabinets
- Toe kick is shipped separately on 93" & 96" high cabinets
- ☆ Glass on top and bottom on select (GD) designs only
- **Note:** Order Shelf Kit for lower section separately



Remember to order a 3/16" skin (WSK) for the exposed ends of 93" & 96" high cabinets to conceal the seam between the loose toe kick and the cabinet.

●	PE
●	APC
●	APFC
●	FPEB
●	MI
●	DE
●	OE
●	AD_E
☆	CW
●	RD
☆	ID
●	CH
☆	IF
●	TWR
☆	WR
●	XS
☆	GD
☆	PTKV
☆	RTK
☆	VTK
☆	TKD

## Vanity Utility Cabinet 18" Deep w/Deluxe Dovetailed Roll-out Tray



84" High  
**VU151884 R or L.4DXROT**  
**VU181884 R or L.4DXROT**  
**VU211884 R or L.4DXROT**  
**VU241884 R or L.4DXROT**  
 **VU241884 BUTT.4DXROT**  
 **VU271884 (Butt).4DXROT**  
**VU301884 BUTT.4DXROT**  
**VU331884 BUTT.4DXROT**  
**VU361884 BUTT.4DXROT**

87" High  
**VU151887 R or L.4DXROT**  
**VU181887 R or L.4DXROT**  
**VU211887 R or L.4DXROT**  
**VU241887 R or L.4DXROT**  
 **VU241887 BUTT.4DXROT**  
 **VU271887 (Butt).4DXROT**  
**VU301887 BUTT.4DXROT**  
**VU331887 BUTT.4DXROT**  
**VU361887 BUTT.4DXROT**

90" High  
**VU151890 R or L.4DXROT**  
**VU181890 R or L.4DXROT**  
**VU211890 R or L.4DXROT**  
**VU241890 R or L.4DXROT**  
 **VU241890 BUTT.4DXROT**  
 **VU271890 (Butt).4DXROT**  
**VU301890 BUTT.4DXROT**  
**VU331890 BUTT.4DXROT**  
**VU361890 BUTT.4DXROT**

(CH) option unavailable  
 (CW) option unavailable

93" High  
**VU151893 R or L.4DXROT**  
**VU181893 R or L.4DXROT**  
**VU211893 R or L.4DXROT**  
**VU241893 R or L.4DXROT**  
 **VU241893 BUTT.4DXROT**  
 **VU271893 (Butt).4DXROT**  
**VU301893 BUTT.4DXROT**  
**VU331893 BUTT.4DXROT**  
**VU361893 BUTT.4DXROT**

96" High  
**VU151896 R or L.4DXROT**  
**VU181896 R or L.4DXROT**  
**VU211896 R or L.4DXROT**  
**VU241896 R or L.4DXROT**  
 **VU241896 BUTT.4DXROT**  
 **VU271896 (Butt).4DXROT**  
**VU301896 BUTT.4DXROT**  
**VU331896 BUTT.4DXROT**  
**VU361896 BUTT.4DXROT**

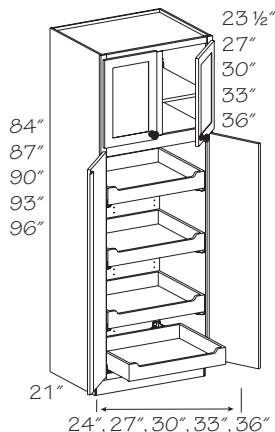
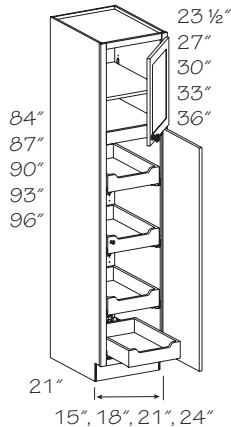
- Specify R or L for single door hinging
- Four adjustable Roll-out Trays included in lower section
- No center rail on tall door for Mitered, Slab, Wood-Grain Foil and Raised Panel Thermofoil door styles or doors with glass inserts
- Includes adjustable shelves in upper section: 84" & 87" high-one shelf; 90" & 93" high-two shelves; 96" high-three shelves
- Roll-out Trays shipped separately on 27"-36" wide units
- Roll-out Trays are unavailable with (RD) of less than 18"
- (RD) option is unavailable for cabinets wider than 24"
- ☆ (TKD), (VTK), (WR), (RTK) and (PTKV) unavailable on 93" & 96" high cabinets
- Toe kick is shipped separately on 93" & 96" high cabinets
- ☆ Glass doors available for top doors only



Remember to remove the white plastic "feet" from the bottom of all tall cabinets before installation. Their sole purpose is to protect the floor after the cabinets are unboxed. Leaving them on will result in an uneven installation.

●	PE
●	APC
●	APFC
●	FPEB
●	MI
●	DE
●	OE
●	AD_E
☆	CW
●	RD
●	ID
☆	CH
●	IF
●	TWR
☆	WR
●	XS
☆	GD
☆	PTKV
☆	RTK
☆	VTK
☆	TKD

## Vanity Utility Cabinet 21" Deep w/Deluxe Dovetailed Roll-out Tray



84" High  
**VU152184 R or L.4DXROT**  
**VU182184 R or L.4DXROT**  
**VU212184 R or L.4DXROT**  
**VU242184 R or L.4DXROT**  
 **VU242184 BUTT.4DXROT**  
 **VU272184 (Butt).4DXROT**  
**VU302184 BUTT.4DXROT**  
**VU332184 BUTT.4DXROT**  
**VU362184 BUTT.4DXROT**

87" High  
**VU152187 R or L.4DXROT**  
**VU182187 R or L.4DXROT**  
**VU212187 R or L.4DXROT**  
**VU242187 R or L.4DXROT**  
 **VU242187 BUTT.4DXROT**  
 **VU272187 (Butt).4DXROT**  
**VU302187 BUTT.4DXROT**  
**VU332187 BUTT.4DXROT**  
**VU362187 BUTT.4DXROT**

90" High  
**VU152190 R or L.4DXROT**  
**VU182190 R or L.4DXROT**  
**VU212190 R or L.4DXROT**  
**VU242190 R or L.4DXROT**  
 **VU242190 BUTT.4DXROT**  
 **VU272190 (Butt).4DXROT**  
**VU302190 BUTT.4DXROT**  
**VU332190 BUTT.4DXROT**  
**VU362190 BUTT.4DXROT**

(CW) option unavailable

93" High  
**VU152193 R or L.4DXROT**  
**VU182193 R or L.4DXROT**  
**VU212193 R or L.4DXROT**  
**VU242193 R or L.4DXROT**  
 **VU242193 BUTT.4DXROT**  
 **VU272193 (Butt).4DXROT**  
**VU302193 BUTT.4DXROT**  
**VU332193 BUTT.4DXROT**  
**VU362193 BUTT.4DXROT**

96" High  
**VU152196 R or L.4DXROT**  
**VU182196 R or L.4DXROT**  
**VU212196 R or L.4DXROT**  
**VU242196 R or L.4DXROT**  
 **VU242196 BUTT.4DXROT**  
 **VU272196 (Butt).4DXROT**  
**VU302196 BUTT.4DXROT**  
**VU332196 BUTT.4DXROT**  
**VU362196 BUTT.4DXROT**

- Specify R or L for single door hinging
- Four adjustable Roll-out Trays included in lower section
- No center rail on tall door for Mitered, Slab, Wood-Grain Foil and Raised Panel Thermofoil door styles or doors with glass inserts
- Includes adjustable shelves in upper section: 84" & 87" high-one shelf; 90" & 93" high-two shelves; 96" high-three shelves
- Roll-out Trays shipped separately on 27"-36" wide units
- Roll-out Trays are unavailable with (RD) of less than 18"
- ☆ Max. (ID) is 24"
- ☆ (TKD), (VTK), (WR), (RTK) and (PTKV) unavailable on 93" & 96" high cabinets
- Toe kick is shipped separately on 93" & 96" high cabinets
- ☆ Glass doors available for top doors only



Remember to remove the white plastic "feet" from the bottom of all tall cabinets before installation. Their sole purpose is to protect the floor after the cabinets are unboxed. Leaving them on will result in an uneven installation.

●	PE
●	APC
●	APFC
●	FPEB
●	MI
●	DE
●	OE
●	AD_E
☆	CW
●	RD
☆	ID
●	CH
●	IF
●	TWR
☆	WR
●	XS
☆	GD
☆	PTKV
☆	RTK
☆	VTK
☆	TKD

# Vanity Wall Cabinets

## Construction Options and Modifications

- ❖ Included as standard
- Available with an upcharge
- ☆ Available with exceptions (Blank) Unavailable

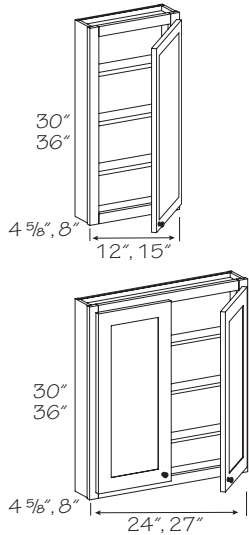
- PE Plywood Ends
- APC All Plywood Construction
- APFC All Plywood Furniture Construction
- FPEB Furniture Plywood Ends
- MI Matching Interior
- DE Integrated Decorative End
- OE Operational End
- AD\_E Attached Decorative End
- CW Change Width
- RD Reduced Depth
- ID Increased Depth
- CH Change Height
- IF Inverted Frame
- TWR Top Wide Rail
- WR Wide Bottom Rail
- XS Extended Stile
- XSB Extended Side Back
- GD Glass Doors

**Note:** Standard vanity cabinet box depth is 18" or 21" unless stated otherwise. Add door thickness for total depth. Standard vanity cabinet height is 34 1/2" unless stated otherwise.

All double door cabinets will have butt doors unless stated otherwise. When BUTT is in all capitals, it **must** be included as part of your ordering nomenclature. A (Butt) in parentheses is for your information and isn't required on an order form.

Material dimensions listed may vary slightly from actual dimensions of the product. Specifications subject to change without notice.

### Vanity Wall Cabinet



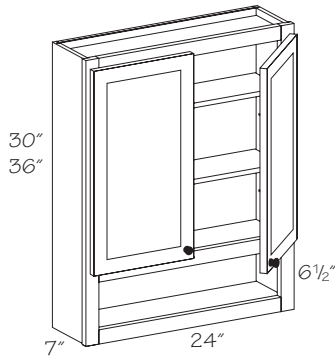
- 4 5/8" Deep
- 30" High
- VW120430 R or L**
- VW150430 R or L**
- **VW240430**
- VW270430**
- 4 5/8" Deep
- 36" High
- VW120436 R or L**
- VW150436 R or L**
- **VW240436**
- VW270436**
- 8" Deep
- 30" High
- VW120830 R or L**
- VW150830 R or L**
- **VW240830**
- VW270830**
- 8" Deep
- 36" High
- VW120836 R or L**
- VW150836 R or L**
- **VW240836**
- VW270836**

○ (CW) option unavailable

- Specify R or L for single door hinging
- Three adjustable 1/2" thick shelves
- Contrasting Back Options (CBEB, CPLB) unavailable

- PE
- APC
- APFC
- FPEB
- MI
- DE
- OE
- AD\_E
- ☆ CW
- RD
- ID
- CH
- IF
- TWR
- WR
- XS
- XSB
- GD

### Vanity Wall Boutique

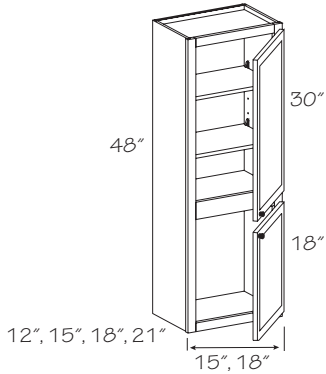


- 30" High
- VWB2430**
- 36" High
- VWB2436**

- Two adjustable shelves
- Replacement shelf available; specify WSVWB24

- PE
- APC
- APFC
- FPEB
- ❖ MI
- DE
- OE
- AD\_E
- CW
- RD
- ID
- CH
- IF
- TWR
- WR
- XS
- XSB
- GD

### Vanity Linen Cabinet 48" H



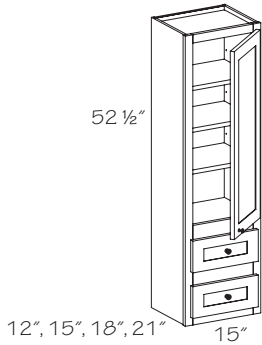
- 12" Deep
- ★ **VLC151248 R or L**
- ★ **VLC181248 R or L**
- 15" Deep
- ★ **VLC151548 R or L**
- ★ **VLC181548 R or L**
- 18" Deep
- ★ **VLC151848 R or L**
- ★ **VLC181848 R or L**
- 21" Deep
- ★ **VLC152148 R or L**
- ★ **VLC182148 R or L**

★ Unavailable in (ID)

- Specify R or L for single door hinging
- Two adjustable shelves in upper section
- Bottom door is always square
- ☆ Max. (ID) is 24"

- PE
- APC
- APFC
- FPFB
- MI
- DE
- OE
- AD\_E
- CW
- RD
- ☆ ID
- CH
- IF
- TWR
- WR
- XS
- XSB
- GD

### Vanity Linen Short Two Drawer



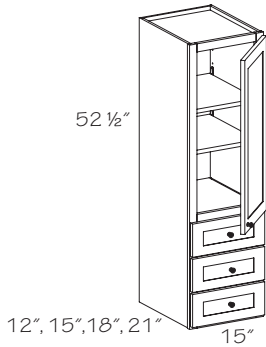
- 12" Deep
- ★ **VLC151252 R or L.2**
- 15" Deep
- ★ **VLC151552 R or L.2**
- 18" Deep
- ★ **VLC151852 R or L.2**
- 21" Deep
- ★ **VLC152152 R or L.2**

★ Unavailable in (ID)

- Specify R or L for single door hinging
- Three adjustable shelves in upper section(s)
- Two standard drawers
- ☆ Max. (ID) is 24"

- PE
- APC
- APFC
- FPFB
- MI
- DE
- OE
- AD\_E
- CW
- RD
- ☆ ID
- CH
- IF
- TWR
- WR
- XS
- XSB
- GD

### Vanity Linen Short Three Drawer



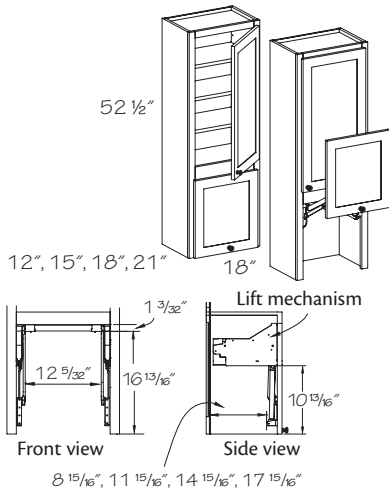
- 12" Deep
- ★ **VLC151252 R or L.3**
- 15" Deep
- ★ **VLC151552 R or L.3**
- 18" Deep
- ★ **VLC151852 R or L.3**
- 21" Deep
- ★ **VLC152152 R or L.3**

★ Unavailable in (ID)

- Specify R or L for single door hinging
- Two adjustable shelves in upper section
- Three standard height drawers
- ☆ Max. (ID) is 24"

- PE
- APC
- APFC
- FPFB
- MI
- DE
- OE
- AD\_E
- CW
- RD
- ☆ ID
- CH
- IF
- TWR
- WR
- XS
- XSB
- GD

## Vanity Vertical Lift Door Wall Cabinet



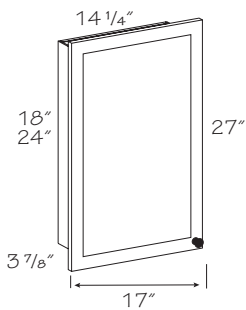
- 12" Deep
- ★ **VV181252 R or L**
- 15" Deep
- ★ **VV181552 R or L**
- 18" Deep
- ★ **VV181852 R or L**
- 21" Deep
- ★ **VV182152 R or L**
- ★ Unavailable in (ID)

- Specify R or L for single door hinging
- Three adjustable shelves in upper section(s)
- Clearance from countertop to bottom of door is 20 1/32"
- Bottom door is always square
- Shelves shipped separately
- (VDA) is unavailable
- ☆ Glass doors available for top doors only
- ☆ Min. (RD) is 12"
- ☆ Max. (ID) is 24"

- PE
- APC
- APFC
- FPFB
- MI
- DE
- OE
- AD\_E
- CW
- RD
- ID
- CH
- IF
- TWR
- WR
- XS
- XSB
- ☆ GD

## Vanity Wall - Recessed Mount

**VWR1727.18**  
**VWR1727.24**



Rough-in dimensions

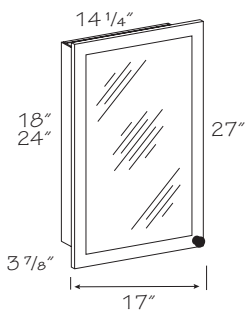
Cabinet	Width	Height	Depth
<b>VWR1727.18</b>	14 1/4"	18"	3 7/8"
<b>VWR1727.24</b>	14 1/4"	28"	3 7/8"

- Designed for recess installation
- Two adjustable 1/2" thick shelves
- Reversible (manufactured hinge left)
- Door Sizes:
  - 1/2" Overlay = 17" 1/2 x 28"
  - Full Overlay = 17 5/8" x 29 5/8"
- Unavailable with Finger Pull Routing
- Contrasting Back Options (CBEB, CPLB) unavailable
- **Note:** Unavailable with soft close feature
- Unavailable with Aluminum Frame Glass doors
- Unavailable in EverCore®, High-Gloss Foil or Wood-Grain Foil door styles

- PE
- APC
- APFC
- FPFB
- MI
- DE
- OE
- AD\_E
- CW
- RD
- ID
- CH
- IF
- TWR
- WR
- XS
- XSB
- GD

## Mirror Cabinet - Recessed Mount

**MC1727.18**  
**MC1727.24**



Rough-in dimensions

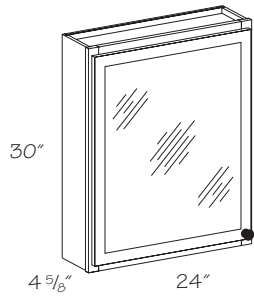
Cabinet	Width	Height	Depth
<b>MC1727.18</b>	14 1/4"	18"	3 7/8"
<b>MC1727.24</b>	14 1/4"	24"	3 7/8"

- Designed for recess installation
- Two adjustable 1/2" thick shelves
- Reversible (manufactured hinge left)
- This cabinet door includes a representative profile that may **not** match the chosen door style exactly, but will blend with most
- Door Size is 17" x 27 1/2" for all overlays
- Unavailable with Finger Pull Routing
- Contrasting Back Options (CBEB, CPLB) unavailable
- **Note:** Unavailable with soft close feature
- Unavailable in EverCore®, High-Gloss Foil or Wood-Grain Foil door styles

- PE
- APC
- APFC
- FPFB
- MI
- DE
- OE
- AD\_E
- CW
- RD
- ID
- CH
- IF
- TWR
- WR
- XS
- XSB
- GD

## Mirror Cabinet - Surface Mount

### MC2430

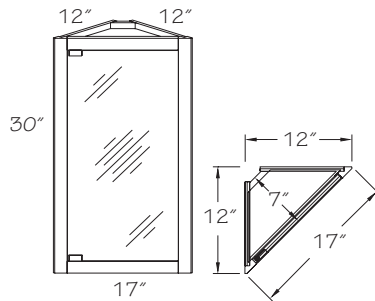


- Three adjustable 1/2" thick shelves
- Reversible (manufactured hinge left)
- Quartersawn door styles are supplied plain sawn
- Face frame has profiled outer edge
- Unavailable with Finger Pull Routing
- Contrasting Back Options (CBEB, CPLB) unavailable
- Unavailable in EverCore®, High-Gloss Foil or Wood-Grain Foil door styles

● PE
● APC
● APFC
● FPFB
● MI
DE
OE
AD_E
CW
RD
ID
CH
IF
TWR
WR
XS
XSB
GD

## Vanity Mirror Angle Cabinet

### VMA1230 .PC VMA1230 .SN

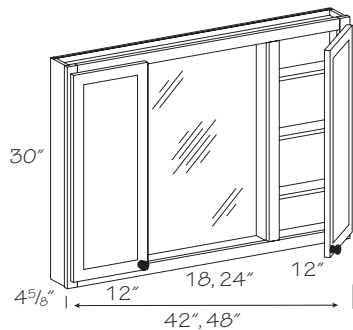


- Two adjustable 1/2" thick shelves
- Reversible (manufactured hinge left)
- Hinges and touch latch available in Polished Chrome or Satin Nickel
- Painted hardwood supplied for EverCore® and Thermofoil
- Painted or Stained hardwood supplied for Wood-Grain Foil door styles
- Contrasting Back Options (CBEB, CPLB) unavailable

● PE
● APC
● APFC
● FPFB
● MI
DE
OE
AD_E
CW
RD
ID
CH
IF
TWR
WR
XS
XSB
GD

## Vanity Mirror Cabinet

### VMC4230 VMC4830

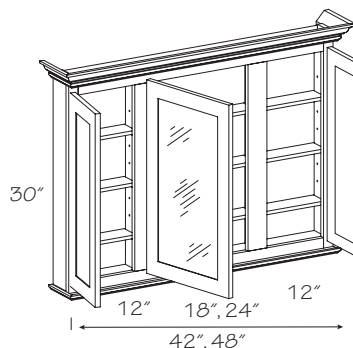


- Designed for surface mount installation
- Six adjustable 1/2" thick shelves
- Recessed center mirror
- Painted hardwood supplied for EverCore® and Thermofoil
- Contrasting Back Options (CBEB, CPLB) unavailable
- Unavailable in High-Gloss Foil door styles

● PE
● APC
● APFC
● FPFB
● MI
DE
OE
AD_E
CW
RD
ID
CH
IF
TWR
WR
● XS
XSB
● GD

## Vanity Mirror Cabinet Storage

### VMCS4230 .ACM VMCS4830 .ACM VMCS4230 .CCM VMCS4830 .CCM VMCS4230 .LCM VMCS4830 .LCM VMCS4230 .LCVM VMCS4830 .LCVM \* VMCS4230 .LFDM \* VMCS4830 .LFDM VMCS4230 .T VMCS4830 .T

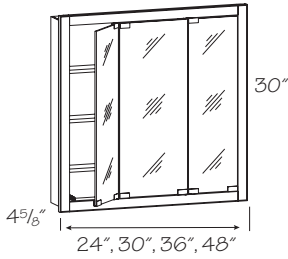


\* Available in Cherry, EverCore®, Thermofoil, Maple and White Wood-Grain Foil door styles only

- Solid wood frame, top and bottom plate
- Nine adjustable 1/2" thick shelves
- Trimmed with choice of Angle Crown Molding, Classic Crown Molding, Large Crown Molding, Large Cove Molding, Large Federal Molding, or Traditional Molding
- Molding is plain sawn wood in quartersawn door styles
- Contrasting Back Options (CBEB, CPLB) unavailable
- Unavailable in High-Gloss Foil door styles
- Unavailable in Wood-Grain Foil slab door styles

● PE
● APC
● APFC
● FPFB
● MI
DE
OE
AD_E
CW
RD
ID
CH
IF
TWR
WR
XS
XSB
● GD

### Tri View Mirror



- TV2430 .PC
- TV3030 .PC
- TV3630 .PC
- TV4830 .PC
- TV2430 .SN
- TV3030 .SN
- TV3630 .SN
- TV4830 .SN

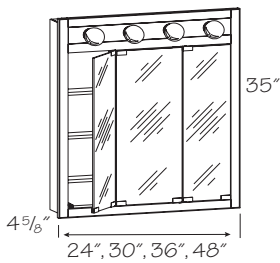
- For surface mount or recess installation
- Three adjustable 1/2" thick shelves
- Hinges and touch latch available in Polished Chrome or Satin Nickel
- Painted hardwood supplied for EverCore® and Thermofoil
- Painted or Stained hardwood supplied for Wood-Grain Foil door styles
- Quartersawn door styles are supplied plain sawn

- PE
- APC
- APFC
- FPFB
- MI
- DE
- OE
- AD\_E
- CW
- RD
- ID
- CH
- IF
- TWR
- WR
- XS
- XSB
- GD

Rough-in dimensions

Cabinet	Width	Height	Depth
TV2430	23 11/16"	28 3/4"	3 7/8"
TV3030	29 11/16"	28 3/4"	3 7/8"
TV3630	35 11/16"	28 3/4"	3 7/8"
TV4830	47 11/16"	28 3/4"	3 7/8"

### Lighted Tri View Mirror



- LTV2435 .PC
- LTV3035 .PC
- LTV3635 .PC
- LTV4835 .PC
- LTV2435 .SN
- LTV3035 .SN
- LTV3635 .SN
- LTV4835 .SN

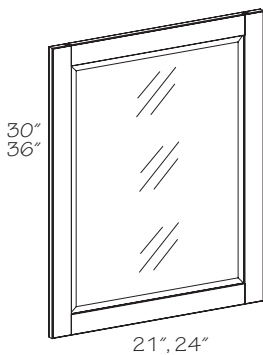
- For surface mount or recess installation
- Three adjustable 1/2" thick shelves
- Light bar, hinges and touch latch available in Polished Chrome or Satin Nickel
- Light bulbs are *not* included
- Painted hardwood supplied for EverCore® and Thermofoil
- Painted or Stained hardwood supplied for Wood-Grain Foil door styles
- Quartersawn door styles are supplied plain sawn

- PE
- APC
- APFC
- FPFB
- MI
- DE
- OE
- AD\_E
- CW
- RD
- ID
- CH
- IF
- TWR
- WR
- XS
- XSB
- GD

Rough-in dimensions

Cabinet	Width	Height	Depth	# lights
LTV2435	23 11/16"	33 3/4"	3 7/8"	3
LTV3035	29 11/16"	33 3/4"	3 7/8"	4
LTV3635	35 11/16"	33 3/4"	3 7/8"	5
LTV4835	47 11/16"	33 3/4"	3 7/8"	7

### Flat Framed Beveled Mirror



- FM2130 .F
- FM2430 .F
- FM2136 .F
- FM2436 .F

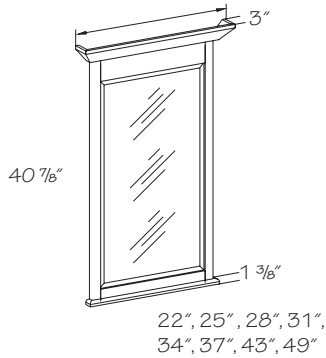
- Beveled mirror
- Painted hardwood supplied for EverCore®
- Painted or Stained hardwood supplied for Wood-Grain Foil door styles

- PE
- APC
- APFC
- FPFB
- MI
- DE
- OE
- AD\_E
- CW
- RD
- ID
- CH
- IF
- TWR
- WR
- XS
- XSB
- GD



### Framed Mirror - Angle Crown

24 7/8", 27 7/8", 30 7/8", 33 7/8",  
36 7/8", 39 7/8", 45 7/8", 51 7/8"



**FM2136 .ACM**  
**FM2436 .ACM**  
**FM2736 .ACM**  
**FM3036 .ACM**  
**FM3336 .ACM**  
**FM3636 .ACM**  
**FM4236 .ACM**  
**FM4836 .ACM**

- Solid wood frame, top and bottom plate
- Decorative Angle Crown Molding
- Routed bottom plate
- Beveled mirror
- Crafted door styles will be supplied in plain sawn wood
- Quartersawn door styles are supplied plain sawn
- Painted hardwood supplied for EverCore®
- Painted or Stained hardwood supplied for Wood-Grain Foil door styles

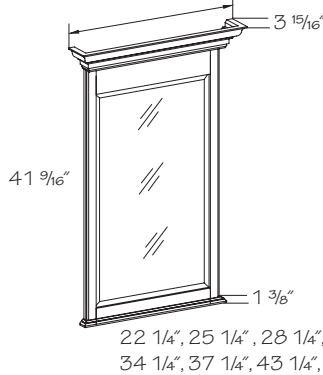


Consider using a Replacement Door with a Mirage glass insert for a wider range of sizes when selecting a mirror.

PE
APC
APFC
FPEB
MI
DE
OE
AD_E
CW
RD
ID
CH
IF
TWR
WR
XS
XSB
GD

### Framed Mirror - Classic

25 13/16", 28 13/16", 31 13/16", 34 13/16",  
37 13/16", 40 13/16", 46 13/16", 52 13/16"



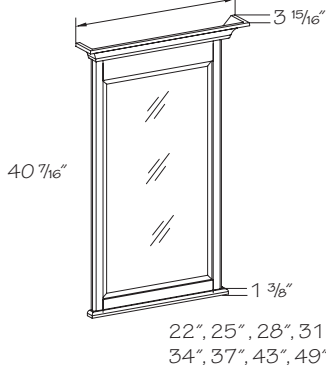
**FM2136 .CCM**  
**FM2436 .CCM**  
**FM2736 .CCM**  
**FM3036 .CCM**  
**FM3336 .CCM**  
**FM3636 .CCM**  
**FM4236 .CCM**  
**FM4836 .CCM**

- Solid wood frame, top and bottom plate
- Decorative Classic Crown Molding
- Routed top and bottom plate
- Beveled mirror
- Crafted door styles will be supplied in plain sawn wood
- Quartersawn door styles are supplied plain sawn
- Painted hardwood supplied for EverCore®
- Painted or Stained hardwood supplied for Wood-Grain Foil door styles

PE
APC
APFC
FPEB
MI
DE
OE
AD_E
CW
RD
ID
CH
IF
TWR
WR
XS
XSB
GD

### Framed Mirror - Large Cove

26", 29", 32", 35",  
38", 41", 47", 53"



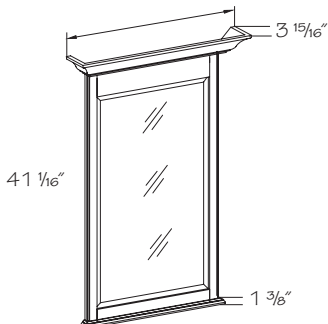
**FM2136 .LCVM**  
**FM2436 .LCVM**  
**FM2736 .LCVM**  
**FM3036 .LCVM**  
**FM3336 .LCVM**  
**FM3636 .LCVM**  
**FM4236 .LCVM**  
**FM4836 .LCVM**

- Solid wood frame, top and bottom plate
- Decorative Large Cove Molding
- Routed top and bottom plate
- Beveled mirror
- Crafted door styles will be supplied in plain sawn wood
- Quartersawn door styles are supplied plain sawn
- Unavailable in Rustic Alder door styles
- Painted hardwood supplied for EverCore®
- Painted or Stained hardwood supplied for Wood-Grain Foil door styles

PE
APC
APFC
FPEB
MI
DE
OE
AD_E
CW
RD
ID
CH
IF
TWR
WR
XS
XSB
GD

**Framed Mirror - Large Crown**

26 15/16", 29 15/16", 32 15/16", 35 15/16",  
38 15/16", 41 15/16", 47 15/16", 53 15/16"



22 1/4", 25 1/4", 28 1/4", 31 1/4",  
34 1/4", 37 1/4", 43 1/4", 49 1/4"

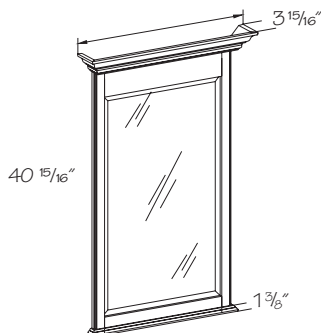
- FM2136 .LCM**
- FM2436 .LCM**
- FM2736 .LCM**
- FM3036 .LCM**
- FM3336 .LCM**
- FM3636 .LCM**
- FM4236 .LCM**
- FM4836 .LCM**

- Solid wood frame, top and bottom plate
- Decorative Large Crown Molding
- Routed top and bottom plate
- Beveled mirror
- Crafted door styles will be supplied in plain sawn wood
- Quartersawn door styles are supplied plain sawn
- Painted hardwood supplied for EverCore®
- Painted or Stained hardwood supplied for Wood-Grain Foil door styles

PE
APC
APFC
FPEB
MI
DE
OE
AD_E
CW
RD
ID
CH
IF
TWR
WR
XS
XSB
GD

**Framed Mirror - Traditional**

25 7/16", 28 7/16", 31 7/16", 34 7/16",  
37 7/16", 40 7/16", 46 7/16", 52 7/16"



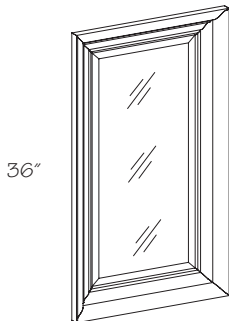
22 1/4", 25 1/4", 28 1/4", 31 1/4",  
34 1/4", 37 1/4", 43 1/4", 49 1/4"

- FM2136 .T**
- FM2436 .T**
- FM2736 .T**
- FM3036 .T**
- FM3336 .T**
- FM3636 .T**
- FM4236 .T**
- FM4836 .T**

- Solid wood frame, top and bottom plate
- Decorative Crown Molding
- Routed top and bottom plate
- Beveled mirror
- Quartersawn door styles are supplied plain sawn
- Crafted door styles will be supplied in plain sawn wood
- Painted hardwood supplied for EverCore®
- Painted or Stained hardwood supplied for Wood-Grain Foil door styles

PE
APC
APFC
FPEB
MI
DE
OE
AD_E
CW
RD
ID
CH
IF
TWR
WR
XS
XSB
GD

**Portrait Framed Mirror - Classic**



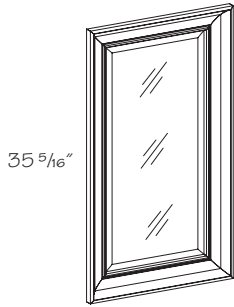
21", 24", 27", 30",  
33", 36", 42", 48"

- PFM2136 .CCM**
- PFM2436 .CCM**
- PFM2736 .CCM**
- PFM3036 .CCM**
- PFM3336 .CCM**
- PFM3636 .CCM**
- PFM4236 .CCM**
- PFM4836 .CCM**

- Decorative Classic Crown Molding
- Beveled mirror
- Crafted door styles will be supplied in plain sawn wood
- Quartersawn door styles are supplied plain sawn
- Painted hardwood supplied for EverCore®
- Painted or Stained hardwood supplied for Wood-Grain Foil door styles

PE
APC
APFC
FPEB
MI
DE
OE
AD_E
CW
RD
ID
CH
IF
TWR
WR
XS
XSB
GD

### Portrait Framed Mirror - Cove



35 5/16"

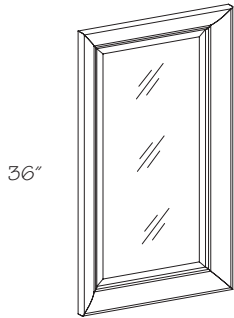
20 5/16", 23 5/16", 26 5/16", 29 5/16",  
32 5/16", 35 5/16", 41 5/16", 47 5/16"

**PFM2136 .LCVM**  
**PFM2436 .LCVM**  
**PFM2736 .LCVM**  
**PFM3036 .LCVM**  
**PFM3336 .LCVM**  
**PFM3636 .LCVM**  
**PFM4236 .LCVM**  
**PFM4836 .LCVM**

- Decorative Large Cove Molding
- Beveled mirror
- Crafted door styles will be supplied in plain sawn wood
- Quartersawn door styles are supplied plain sawn
- Unavailable in Rustic Alder door styles
- Painted hardwood supplied for EverCore®
- Painted or Stained hardwood supplied for Wood-Grain Foil door styles

PE
APC
APFC
FPEB
MI
DE
OE
AD_E
CW
RD
ID
CH
IF
TWR
WR
XS
XSB
GD

### Portrait Framed Mirror - Federal



36"

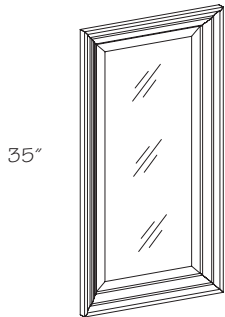
21", 24", 27", 30",  
33", 36", 42", 48"

**PFM2136 .LFDM**  
**PFM2436 .LFDM**  
**PFM2736 .LFDM**  
**PFM3036 .LFDM**  
**PFM3336 .LFDM**  
**PFM3636 .LFDM**  
**PFM4236 .LFDM**  
**PFM4836 .LFDM**

- Decorative Large Federal Molding
- Beveled mirror
- Available in Cherry, EverCore®, Thermofoil, Maple and White Wood-Grain Foil door styles only
- Painted hardwood supplied for EverCore® and Thermofoil

PE
APC
APFC
FPEB
MI
DE
OE
AD_E
CW
RD
ID
CH
IF
TWR
WR
XS
XSB
GD

### Portrait Framed Mirror - Traditional



35"

20", 23", 26", 29",  
32", 35", 41", 47"

**PFM2136 .CM**  
**PFM2436 .CM**  
**PFM2736 .CM**  
**PFM3036 .CM**  
**PFM3336 .CM**  
**PFM3636 .CM**  
**PFM4236 .CM**  
**PFM4836 .CM**

- Decorative Crown Molding
- Beveled mirror
- Crafted door styles will be supplied in plain sawn wood
- Quartersawn door styles are supplied plain sawn
- Painted hardwood supplied for EverCore®
- Painted or Stained hardwood supplied for Wood-Grain Foil door styles

PE
APC
APFC
FPEB
MI
DE
OE
AD_E
CW
RD
ID
CH
IF
TWR
WR
XS
XSB
GD

# Vanity Collections

## Construction Options and Modifications

VCDF	60	34	18	.S1
code	width	height	depth	series

- ❖ Included as standard
- Available with an upcharge
- ☆ Available with exceptions
- (Blank) Unavailable

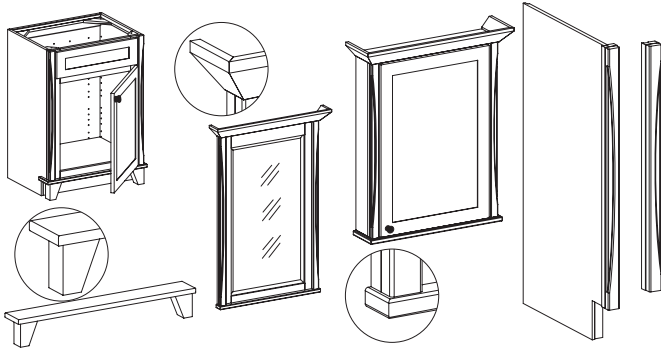
- APFC All Plywood Furniture Construction
- FPEB Furniture Plywood Ends
- MI Matching Interior
- DE Integrated Decorative End
- AD\_E Attached Decorative End
- RD Reduced Depth
- ID Increased Depth
- TWR Top Wide Rail
- WR Wide Bottom Rail
- XS Extended Stile
- XSB Extended Side Back
- GD Glass Doors
- RTK Recessed Toe Kick
- VTK Void Toe Kick

Available in full overlay door styles only.

All Decorative Accent Vanities come with a matching 1/2" plywood toe kick as standard. Decorative Skirts add 1 5/16" to the frame width.

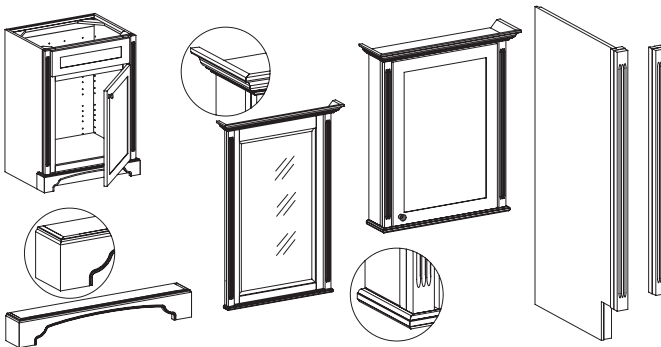
Material dimensions listed may vary slightly from actual dimensions of the product. Specifications subject to change without notice.

### Montrose Collection (S1)



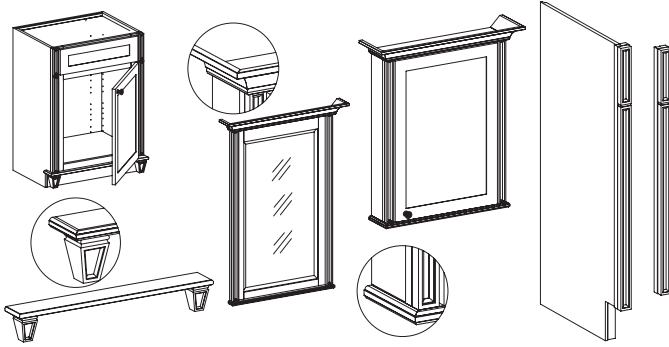
- This collection offers soft curved lines and tapered feet that give the flexibility to take the room from contemporary to casual farmhouse or craftsman styles.
  - Angle Crown Molding is applied to tops of Vanity Walls and Mirrors; a solid wood plate with eased edges is applied to the bottom
  - 1 1/2" side accents are softly curved and chamfered
  - Toe kick accent includes 3/4" plate with tapered legs
  - Toe kick skirt ships separately for field installation
  - Simple, understated, clean line door styles are recommended to achieve the best design aesthetics
- Available in Rustic Alder, Cherry, EverCore®, Thermofoil and Maple and full overlay door styles only
- Painted hardwood supplied for EverCore® and Thermofoil

### Cologne Collection (S2)



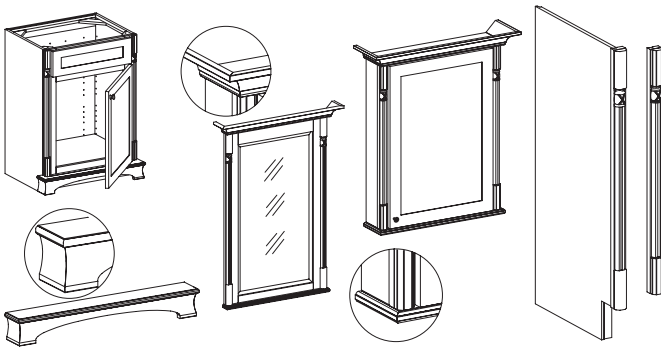
- The classic fluting detail of this style offers the formality of a traditional design aesthetic
  - Crown Molding is applied to tops of Vanity Walls and Mirrors; a solid wood plate with a single bead edge is applied to the bottom
  - 1 1/2" fluted side accents
  - Toe kicks feature a formal, architectural skirt with a beaded edge
  - Toe kick skirt ships separately for field installation
- Available in Rustic Alder, Cherry, EverCore®, Thermofoil and Maple and full overlay door styles only
- Painted hardwood supplied for EverCore® and Thermofoil

### Bayshore Collection (S3)



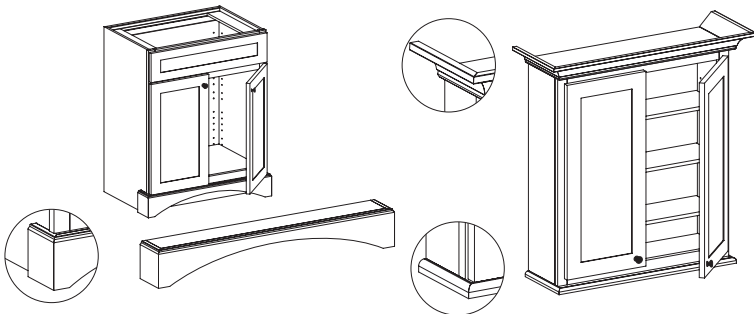
- The carved linear column detail and tapered feet are reminiscent of classic, fine furniture design
  - Large Cove Molding (LCVM) is applied to tops of Vanity Walls and Mirrors; a solid wood plate with a single bead edge is applied to the bottom
  - 1 1/2" carved linear column side accents
  - Toe kick accent includes 3/4", single bead edged plate, and carved details on tapered legs
  - Toe kick skirt ships separately for field installation
  - Door style and finish combinations will drive the styling of these pieces from soft modern to classic
- Available in Rustic Alder, Cherry, EverCore®, Thermofoil and Maple and full overlay door styles only
- Painted hardwood supplied for EverCore® and Thermofoil

### Prescott Collection (S4)



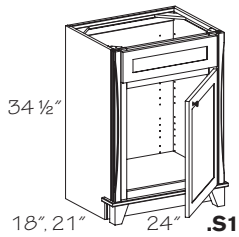
- Elegant timeless details and the curved skirt create a heritage inspired design
  - Large Cove Molding (LCVM) is applied to tops of Vanity Walls and Mirrors; a solid wood plate with a single bead edge is applied to the bottom
  - 1 1/2" carved ornamental side accents
  - Toe kicks feature a flared valence style skirt
  - Toe kick skirt ships separately for field installation
- Available in Cherry, EverCore®, Thermofoil and Maple full overlay door styles only
- Painted hardwood supplied for EverCore® and Thermofoil

### Fairfield Collection (S5)



- The clean lines and cove valance give this collection universal appeal
  - Large Cove Molding (LCVM) is applied to tops of Vanity Walls and Mirrors; a solid wood plate with a single bead edge is applied to the bottom
  - FM.LCVM is correct framed mirror to use when matching this series
  - No side accents
  - Toe kicks feature a simple, yet sophisticated cove skirt
  - Toe kick skirt ships separately for field installation
- Available in Cherry, EverCore®, Thermofoil and Maple full overlay door styles only
- Painted hardwood supplied for EverCore® and Thermofoil

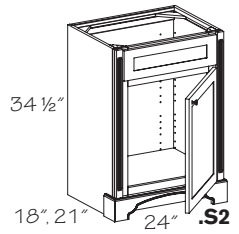
### Vanity Sink Base Single Door w/Decorative Accents



- 34 1/2" High, 18" Deep
- ★ **VSB241834 R or L.S1**
- ★ **VSB241834 R or L.S2**
- ★ **VSB241834 R or L.S3**
- ★ **VSB241834 R or L.S4**

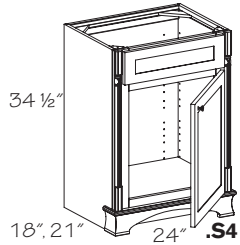
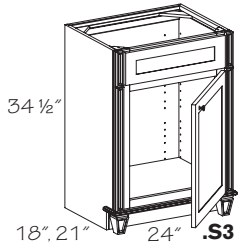
- Specify R or L for single door hinging
- Single door and drawer front
- Optional Utensil Trays (UT and SUT) are available
- Optional Door Storage Unit is available
- ☆ Max. (ID) is 24"

●	APFC
◆	FPEB
●	MI
●	DE
●	AD_E
●	RD
☆	ID
●	TWR
●	WR
●	XS
●	XSB
●	GD
●	RTK
●	VTK

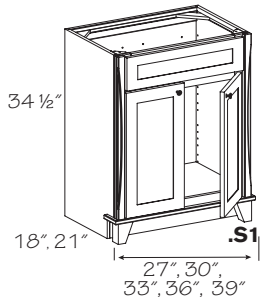


- 34 1/2" High, 21" Deep
- VSB242134 R or L.S1**
- VSB242134 R or L.S2**
- VSB242134 R or L.S3**
- VSB242134 R or L.S4**

★ Unavailable in (ID)



### Vanity Sink Base Double Door w/Decorative Accents



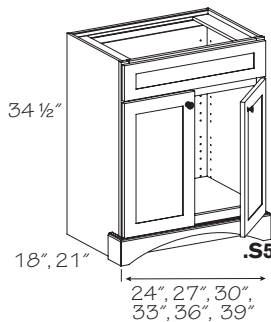
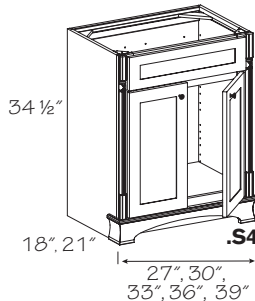
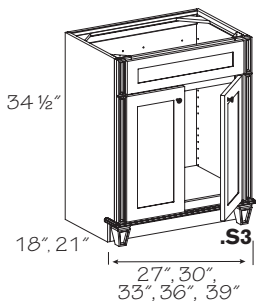
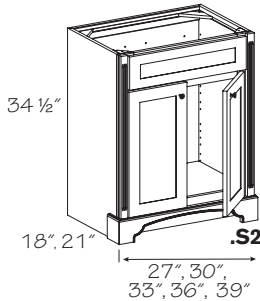
- 34 1/2" High, 18" Deep
- ★ **VSB241834 .S5**
- ★▲ **VSB271834 .S1**
- ★▲ **VSB271834 .S2**
- ★ **VSB271834 .S3**
- ★ **VSB271834 .S4**
- ★ **VSB271834 .S5**
- ★▲ **VSB301834 .S1**
- ★▲ **VSB301834 .S2**
- ★ **VSB301834 .S3**
- ★ **VSB301834 .S4**
- ★ **VSB301834 .S5**
- ★ **VSB331834 .S1**
- ★ **VSB331834 .S2**
- ★ **VSB331834 .S3**
- ★ **VSB331834 .S4**
- ★ **VSB331834 .S5**
- ★ **VSB361834 .S1**
- ★ **VSB361834 .S2**
- ★ **VSB361834 .S3**
- ★ **VSB361834 .S4**
- ★ **VSB361834 .S5**
- ★ **VSB391834 .S1**
- ★ **VSB391834 .S2**
- ★ **VSB391834 .S3**
- ★ **VSB391834 .S4**
- ★ **VSB391834 .S5**

- 34 1/2" High, 21" Deep
- VSB242134 .S5**
- ▲ **VSB272134 .S1**
- ▲ **VSB272134 .S2**
- VSB272134 .S3**
- VSB272134 .S4**
- VSB272134 .S5**
- ▲ **VSB302134 .S1**
- ▲ **VSB302134 .S2**
- VSB302134 .S3**
- VSB302134 .S4**
- VSB302134 .S5**
- VSB332134 .S1**
- VSB332134 .S2**
- VSB332134 .S3**
- VSB332134 .S4**
- VSB332134 .S5**
- VSB362134 .S1**
- VSB362134 .S2**
- VSB362134 .S3**
- VSB362134 .S4**
- VSB362134 .S5**
- VSB392134 .S1**
- VSB392134 .S2**
- VSB392134 .S3**
- VSB392134 .S4**
- VSB392134 .S5**

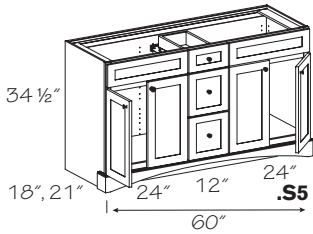
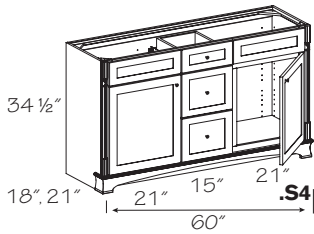
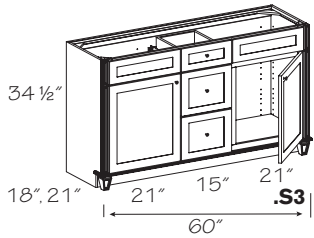
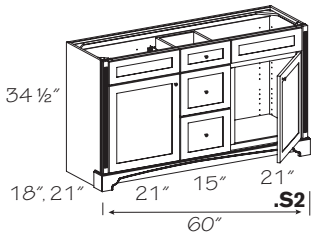
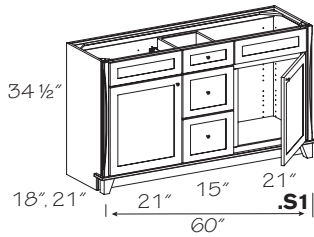
- Single drawer front
- Optional Utensil Trays (UT and SUT) are available
- Optional Door Storage Unit is available
- 4 1/2" high skirt ships separately
- ☆ Max. (ID) is 24"

●	APFC
◆	FPEB
●	MI
●	DE
●	AD_E
●	RD
☆	ID
●	TWR
●	WR
●	XS
●	XSB
●	GD
●	RTK
●	VTK

★ Unavailable in (ID)  
▲ Sink Base Door Storage Unit unavailable



### Vanity Sink Base Three Drawer w/Decorative Accents



34 1/2" High, 18" Deep  
 ★ **VSB601834 .3.S1**  
 ★ **VSB601834 .3.S2**  
 ★ **VSB601834 .3.S3**  
 ★ **VSB601834 .3.S4**  
 ★ **VSB601834 .3.S5**

34 1/2" High, 21" Deep  
**VSB602134 .3.S1**  
**VSB602134 .3.S2**  
**VSB602134 .3.S3**  
**VSB602134 .3.S4**  
**VSB602134 .3.S5**

★ Unavailable in (ID)

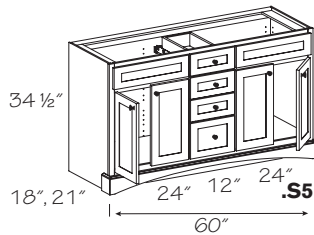
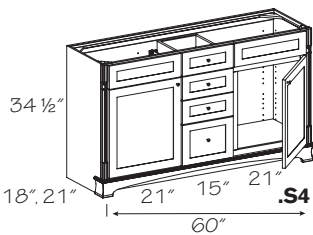
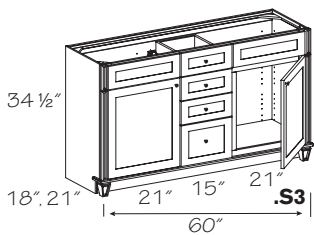
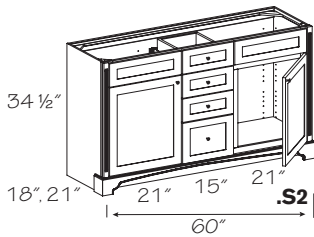
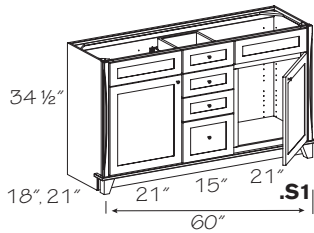
- Three drawer stack in center
- One standard drawer
- Two deep drawers
- Scoop Top Drawer option available
- Optional Door Storage Unit is available
- Optional Vanity Wood Tiered Drawer Storage, Vanity Shallow Wood Tiered Drawer Storage and Vanity Adjustable Drawer Divider are available
- A filler is recommended when installing decorative accent vanities against a return wall. Filler is sold separately
- 4 1/2" high skirt ships separately
- ☆ Max. (ID) is 24"



Be sure to account for the 1-1/2" decorative accent on the right and left end of the face frame to ensure the sink vessel is centered over the cabinet doors on decorative collections S1 – S4. The S5 series has no side accents and no adjustments are necessary.

● APFC
❖ FPFB
● MI
● DE
● AD_E
● RD
☆ ID
● TWR
WR
XS
● XSB
● GD
RTK
VTK

### Vanity Sink Base Four Drawer w/Decorative Accents



34 1/2" High, 18" Deep  
 ★ **VSB601834 .4.S1**  
 ★ **VSB601834 .4.S2**  
 ★ **VSB601834 .4.S3**  
 ★ **VSB601834 .4.S4**  
 ★ **VSB601834 .4.S5**

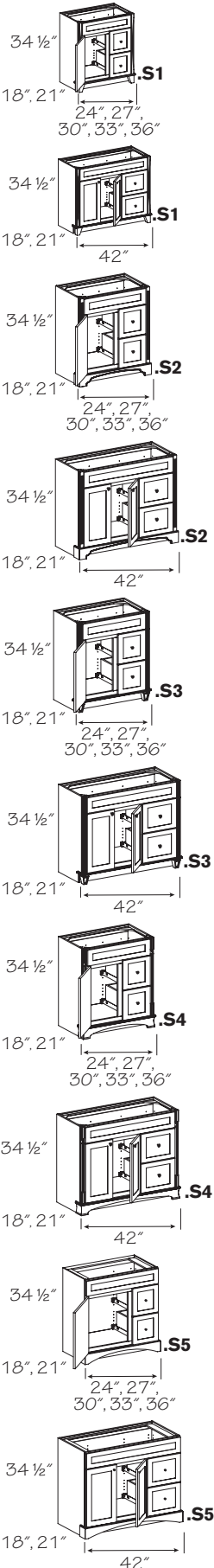
34 1/2" High, 21" Deep  
**VSB602134 .4.S1**  
**VSB602134 .4.S2**  
**VSB602134 .4.S3**  
**VSB602134 .4.S4**  
**VSB602134 .4.S5**

★ Unavailable in (ID)

- Four drawer stack in center
- Three standard height drawers
- One deep drawer
- 4 1/2" high skirt ships separately
- Scoop Top Drawer option available
- Optional Door Storage Unit is available
- Optional Vanity Wood Tiered Drawer Storage, Vanity Shallow Wood Tiered Drawer Storage and Vanity Adjustable Drawer Divider are available
- ☆ Max. (ID) is 24"

● APFC
❖ FPFB
● MI
● DE
● AD_E
● RD
☆ ID
● TWR
WR
XS
● XSB
● GD
RTK
VTK

## Vanity Combination Drawer w/Decorative Accents (2)



### Drawers Left

34 1/2" High, 18" Deep

Model	Depth
★▲ VCD241834 DL2.S5	12"-12"
★▲ VCD271834 DL2.S1	12"-12"
★▲ VCD271834 DL2.S2	12"-12"
★▲ VCD271834 DL2.S3	12"-12"
★▲ VCD271834 DL2.S4	12"-12"
★▲ VCD271834 DL2.S5	12"-15"
★ VCD301834 DL2.S1	12"-15"
★ VCD301834 DL2.S2	12"-15"
★ VCD301834 DL2.S3	12"-15"
★ VCD301834 DL2.S4	12"-15"
★ VCD301834 DL2.S5	12"-18"
★ VCD331834 DL2.S1	12"-18"
★ VCD331834 DL2.S2	12"-18"
★ VCD331834 DL2.S3	12"-18"
★ VCD331834 DL2.S4	12"-18"
★ VCD331834 DL2.S5	12"-21"
★ VCD361834 DL2.S1	12"-21"
★ VCD361834 DL2.S2	12"-21"
★ VCD361834 DL2.S3	12"-21"
★ VCD361834 DL2.S4	12"-21"
★ VCD361834 DL2.S5	15"-21"
★▲ VCD421834 DL2.S1	15"-24"
★▲ VCD421834 DL2.S2	15"-24"
★▲ VCD421834 DL2.S3	15"-24"
★▲ VCD421834 DL2.S4	15"-24"
★▲ VCD421834 DL2.S5	15"-27"

### Drawer-Door

### Drawers Right

34 1/2" High, 18" Deep

Model	Depth
★▲ VCD241834 DR2.S5	12"-12"
★▲ VCD271834 DR2.S1	12"-12"
★▲ VCD271834 DR2.S2	12"-12"
★▲ VCD271834 DR2.S3	12"-12"
★▲ VCD271834 DR2.S4	12"-12"
★▲ VCD271834 DR2.S5	12"-15"
★ VCD301834 DR2.S1	15"-12"
★ VCD301834 DR2.S2	15"-12"
★ VCD301834 DR2.S3	15"-12"
★ VCD301834 DR2.S4	15"-12"
★ VCD301834 DR2.S5	15"-12"
★ VCD331834 DR2.S1	18"-12"
★ VCD331834 DR2.S2	18"-12"
★ VCD331834 DR2.S3	18"-12"
★ VCD331834 DR2.S4	18"-12"
★ VCD331834 DR2.S5	18"-12"
★ VCD361834 DR2.S1	21"-12"
★ VCD361834 DR2.S2	21"-12"
★ VCD361834 DR2.S3	21"-12"
★ VCD361834 DR2.S4	21"-12"
★ VCD361834 DR2.S5	21"-12"
★▲ VCD421834 DR2.S1	24"-15"
★▲ VCD421834 DR2.S2	24"-15"
★▲ VCD421834 DR2.S3	24"-15"
★▲ VCD421834 DR2.S4	24"-15"
★▲ VCD421834 DR2.S5	24"-15"

### Door-Drawer

### Drawers Left

34 1/2" High, 21" Deep

Model	Depth
▲ VCD242134 DL2.S5	12"-12"
▲ VCD272134 DL2.S1	12"-12"
▲ VCD272134 DL2.S2	12"-12"
▲ VCD272134 DL2.S3	12"-12"
▲ VCD272134 DL2.S4	12"-12"
▲ VCD272134 DL2.S5	12"-12"
VCD302134 DL2.S1	12"-15"
VCD302134 DL2.S2	12"-15"
VCD302134 DL2.S3	12"-15"
VCD302134 DL2.S4	12"-15"
VCD302134 DL2.S5	12"-15"
VCD332134 DL2.S1	12"-18"
VCD332134 DL2.S2	12"-18"
VCD332134 DL2.S3	12"-18"
VCD332134 DL2.S4	12"-18"
VCD332134 DL2.S5	12"-18"
VCD362134 DL2.S1	12"-21"
VCD362134 DL2.S2	12"-21"
VCD362134 DL2.S3	12"-21"
VCD362134 DL2.S4	12"-21"
VCD362134 DL2.S5	12"-21"
▲ VCD422134 DL2.S1	15"-24"
▲ VCD422134 DL2.S2	15"-24"
▲ VCD422134 DL2.S3	15"-24"
▲ VCD422134 DL2.S4	15"-24"
▲ VCD422134 DL2.S5	15"-24"

### Drawer-Door

### Drawers Right

34 1/2" High, 21" Deep

Model	Depth
▲ VCD242134 DR2.S5	12"-12"
▲ VCD272134 DR2.S1	12"-12"
▲ VCD272134 DR2.S2	12"-12"
▲ VCD272134 DR2.S3	12"-12"
▲ VCD272134 DR2.S4	12"-12"
▲ VCD272134 DR2.S5	12"-12"
VCD302134 DR2.S1	15"-12"
VCD302134 DR2.S2	15"-12"
VCD302134 DR2.S3	15"-12"
VCD302134 DR2.S4	15"-12"
VCD302134 DR2.S5	15"-12"
VCD332134 DR2.S1	18"-12"
VCD332134 DR2.S2	18"-12"
VCD332134 DR2.S3	18"-12"
VCD332134 DR2.S4	18"-12"
VCD332134 DR2.S5	18"-12"
VCD362134 DR2.S1	21"-12"
VCD362134 DR2.S2	21"-12"
VCD362134 DR2.S3	21"-12"
VCD362134 DR2.S4	21"-12"
VCD362134 DR2.S5	21"-12"
▲ VCD422134 DR2.S1	24"-15"
▲ VCD422134 DR2.S2	24"-15"
▲ VCD422134 DR2.S3	24"-15"
▲ VCD422134 DR2.S4	24"-15"
▲ VCD422134 DR2.S5	24"-15"

### Door-Drawer

- One drawer front
- Two deep drawers
- 4 1/2" high skirt ships separately
- Optional Door Storage Unit is available
- Optional Vanity Wood Tiered Drawer Storage, Vanity Shallow Wood Tiered Drawer Storage and Vanity Adjustable Drawer Divider are available

☆ Max. (ID) is 24"

- APFC
- ◆ FPFB
- MI
- DE
- AD\_E
- RD
- ☆ ID
- TWR
- WR
- XS
- XSB
- GD
- RTK
- VTK

▲ Sink Base Door Storage Unit unavailable

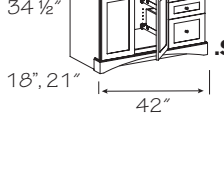
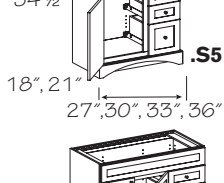
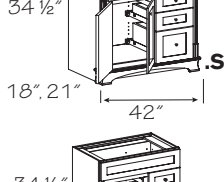
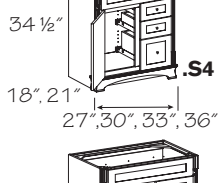
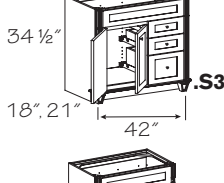
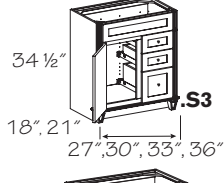
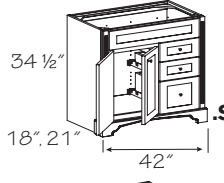
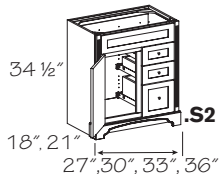
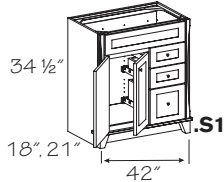
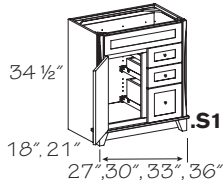
★ Unavailable in (ID)

Cabinet	Max. Opening from Frame Stile to Drawer Box	Max. Opening from Frame Stile to Frame Stile	Max. Depth from Top of Cabinet to 1st Drawer Box
VCD27_34(DR/DL2).S_	12" L/R Sink Offset	21" Sink Center	8 3/8" Sink Center
VCD30_34(DR/DL2).S_	15" L/R Sink Offset	24" Sink Center	8 3/8" Sink Center
VCD33_34(DR/DL2).S_	18" L/R Sink Offset	27" Sink Center	8 3/8" Sink Center
VCD36_34(DR/DL2).S_	21" L/R Sink Offset	30" Sink Center	8 3/8" Sink Center
VCD42_34(DR/DL2).S_	24" L/R Sink Offset	33" Sink Center	8 3/8" Sink Center



### Vanity Combination Drawer w/Decorative Accents (3)

- APFC
- ❖ FPFB
- MI
- DE
- AD\_E
- RD
- ☆ ID
- TWR
- WR
- XS
- XSB
- GD
- RTK
- VTK



- Drawers Left*  
34 1/2" High, 18" Deep
- ★▲ VCD271834 DL3.S1 12"-12"
  - ★▲ VCD271834 DL3.S2 12"-12"
  - ★▲ VCD271834 DL3.S3 12"-12"
  - ★▲ VCD271834 DL3.S4 12"-12"
  - ★▲ VCD271834 DL3.S5 12"-12"
  - ★ VCD301834 DL3.S1 12"-15"
  - ★ VCD301834 DL3.S2 12"-15"
  - ★ VCD301834 DL3.S3 12"-15"
  - ★ VCD301834 DL3.S4 12"-15"
  - ★ VCD301834 DL3.S5 12"-15"
  - ★ VCD331834 DL3.S1 12"-18"
  - ★ VCD331834 DL3.S2 12"-18"
  - ★ VCD331834 DL3.S3 12"-18"
  - ★ VCD331834 DL3.S4 12"-18"
  - ★ VCD331834 DL3.S5 12"-18"
  - ★ VCD361834 DL3.S1 12"-21"
  - ★ VCD361834 DL3.S2 12"-21"
  - ★ VCD361834 DL3.S3 12"-21"
  - ★ VCD361834 DL3.S4 12"-21"
  - ★ VCD361834 DL3.S5 12"-21"
  - ★▲ VCD421834 DL3.S1 15"-24"
  - ★▲ VCD421834 DL3.S2 15"-24"
  - ★▲ VCD421834 DL3.S3 15"-24"
  - ★▲ VCD421834 DL3.S4 15"-24"
  - ★▲ VCD421834 DL3.S5 15"-24"
- Drawer-Door*

- Drawers Left*  
34 1/2" High, 21" Deep
- ▲ VCD272134 DL3.S1 12"-12"
  - ▲ VCD272134 DL3.S2 12"-12"
  - ▲ VCD272134 DL3.S3 12"-12"
  - ▲ VCD272134 DL3.S4 12"-12"
  - ▲ VCD272134 DL3.S5 12"-12"
  - VCD302134 DL3.S1 12"-15"
  - VCD302134 DL3.S2 12"-15"
  - VCD302134 DL3.S3 12"-15"
  - VCD302134 DL3.S4 12"-15"
  - VCD302134 DL3.S5 12"-15"
  - VCD332134 DL3.S1 12"-18"
  - VCD332134 DL3.S2 12"-18"
  - VCD332134 DL3.S3 12"-18"
  - VCD332134 DL3.S4 12"-18"
  - VCD332134 DL3.S5 12"-18"
  - VCD362134 DL3.S1 12"-21"
  - VCD362134 DL3.S2 12"-21"
  - VCD362134 DL3.S3 12"-21"
  - VCD362134 DL3.S4 12"-21"
  - VCD362134 DL3.S5 12"-21"
  - ▲ VCD422134 DL3.S1 15"-24"
  - ▲ VCD422134 DL3.S2 15"-24"
  - ▲ VCD422134 DL3.S3 15"-24"
  - ▲ VCD422134 DL3.S4 15"-24"
  - ▲ VCD422134 DL3.S5 15"-24"
- Drawer-Door*

- Drawers Right*  
34 1/2" High, 18" Deep
- ★▲ VCD271834 DR3.S1 12"-12"
  - ★▲ VCD271834 DR3.S2 12"-12"
  - ★▲ VCD271834 DR3.S3 12"-12"
  - ★▲ VCD271834 DR3.S4 12"-12"
  - ★▲ VCD271834 DR3.S5 12"-12"
  - ★ VCD301834 DR3.S1 15"-12"
  - ★ VCD301834 DR3.S2 15"-12"
  - ★ VCD301834 DR3.S3 15"-12"
  - ★ VCD301834 DR3.S4 15"-12"
  - ★ VCD301834 DR3.S5 15"-12"
  - ★ VCD331834 DR3.S1 18"-12"
  - ★ VCD331834 DR3.S2 18"-12"
  - ★ VCD331834 DR3.S3 18"-12"
  - ★ VCD331834 DR3.S4 18"-12"
  - ★ VCD331834 DR3.S5 18"-12"
  - ★ VCD361834 DR3.S1 21"-12"
  - ★ VCD361834 DR3.S2 21"-12"
  - ★ VCD361834 DR3.S3 21"-12"
  - ★ VCD361834 DR3.S4 21"-12"
  - ★ VCD361834 DR3.S5 21"-12"
  - ★▲ VCD421834 DR3.S1 24"-15"
  - ★▲ VCD421834 DR3.S2 24"-15"
  - ★▲ VCD421834 DR3.S3 24"-15"
  - ★▲ VCD421834 DR3.S4 24"-15"
  - ★▲ VCD421834 DR3.S5 24"-15"
- Door-Drawer*

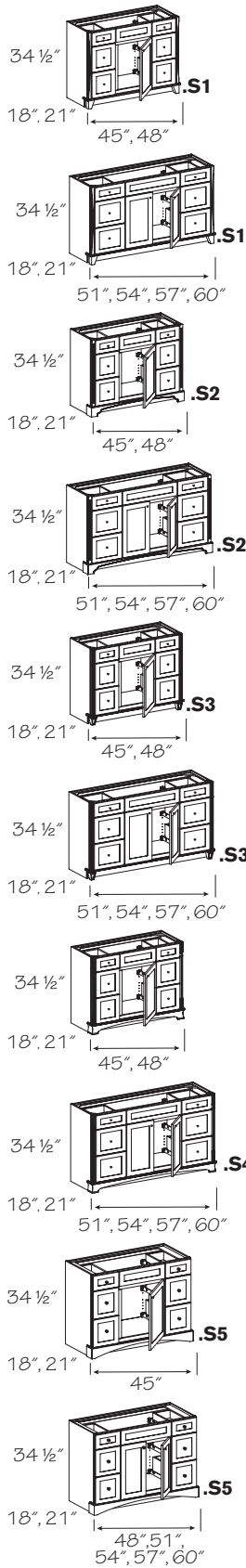
- Drawers Right*  
34 1/2" High, 21" Deep
- ▲ VCD272134 DR3.S1 12"-12"
  - ▲ VCD272134 DR3.S2 12"-12"
  - ▲ VCD272134 DR3.S3 12"-12"
  - ▲ VCD272134 DR3.S4 12"-12"
  - ▲ VCD272134 DR3.S5 12"-12"
  - VCD302134 DR3.S1 15"-12"
  - VCD302134 DR3.S2 15"-12"
  - VCD302134 DR3.S3 15"-12"
  - VCD302134 DR3.S4 15"-12"
  - VCD302134 DR3.S5 15"-12"
  - VCD332134 DR3.S1 18"-12"
  - VCD332134 DR3.S2 18"-12"
  - VCD332134 DR3.S3 18"-12"
  - VCD332134 DR3.S4 18"-12"
  - VCD332134 DR3.S5 18"-12"
  - VCD362134 DR3.S1 21"-12"
  - VCD362134 DR3.S2 21"-12"
  - VCD362134 DR3.S3 21"-12"
  - VCD362134 DR3.S4 21"-12"
  - VCD362134 DR3.S5 21"-12"
  - ▲ VCD422134 DR3.S1 24"-15"
  - ▲ VCD422134 DR3.S2 24"-15"
  - ▲ VCD422134 DR3.S3 24"-15"
  - ▲ VCD422134 DR3.S4 24"-15"
  - ▲ VCD422134 DR3.S5 24"-15"

- One drawer front
  - Two standard drawers
  - One deep drawer
  - 4 1/2" high skirt ships separately
  - Optional Door Storage Unit is available
  - Optional Vanity Wood Tiered Drawer Storage, Vanity Shallow Wood Tiered Drawer Storage and Vanity Adjustable Drawer Divider are available
- ☆ Max. (ID) is 24"

▲ Sink Base Door Storage Unit unavailable  
★ Unavailable in (ID)

Cabinet	Max. Opening from Frame Stile to Drawer Box	Max. Opening from Frame Stile to Frame Stile	Max. Depth from Top of Cabinet to 1st Drawer Box
VCD27_34(DR/DL3).S_	12" L/R Sink Offset	21" Sink Center	8 1/8" Sink Center
VCD30_34(DR/DL3).S_	15" L/R Sink Offset	24" Sink Center	8 1/8" Sink Center
VCD33_34(DR/DL3).S_	18" L/R Sink Offset	27" Sink Center	8 1/8" Sink Center
VCD36_34(DR/DL3).S_	21" L/R Sink Offset	30" Sink Center	8 1/8" Sink Center
VCD42_34(DR/DL3).S_	24" L/R Sink Offset	33" Sink Center	8 1/8" Sink Center

## Vanity Combination Drawer w/Decorative Accents (6)



34 1/2" High, 18" Deep  
 \*\* VCD451834 R or L.6.S1  
 \*\* VCD451834 R or L.6.S2  
 \*\* VCD451834 R or L.6.S3  
 \*\* VCD451834 R or L.6.S4  
 \*\* VCD451834 R or L.6.S5  
 \*\* VCD481834 R or L.6.S1  
 \*\* VCD481834 R or L.6.S2  
 \*\* VCD481834 R or L.6.S3  
 \*\* VCD481834 R or L.6.S4  
 \*\* VCD481834 R or L.6.S5

\* VCD511834 .6.S1  
 \* VCD511834 .6.S2  
 \* VCD511834 .6.S3  
 \* VCD511834 .6.S4  
 \* VCD511834 .6.S5  
 \* VCD541834 .6.S1  
 \* VCD541834 .6.S2  
 \* VCD541834 .6.S3  
 \* VCD541834 .6.S4  
 \* VCD541834 .6.S5  
 \* VCD571834 .6.S1  
 \* VCD571834 .6.S2  
 \* VCD571834 .6.S3  
 \* VCD571834 .6.S4  
 \* VCD571834 .6.S5  
 \* VCD601834 .6.S1  
 \* VCD601834 .6.S2  
 \* VCD601834 .6.S3  
 \* VCD601834 .6.S4  
 \* VCD601834 .6.S5

34 1/2" High, 21" Deep  
 \* VCD452134 R or L.6.S1  
 \* VCD452134 R or L.6.S2  
 \* VCD452134 R or L.6.S3  
 \* VCD452134 R or L.6.S4  
 \* VCD452134 R or L.6.S5  
 \* VCD482134 R or L.6.S1  
 \* VCD482134 R or L.6.S2  
 \* VCD482134 R or L.6.S3  
 \* VCD482134 R or L.6.S4  
 \* VCD482134 R or L.6.S5

VCD512134 .6.S1  
 VCD512134 .6.S2  
 VCD512134 .6.S3  
 VCD512134 .6.S4  
 VCD512134 .6.S5  
 VCD542134 .6.S1  
 VCD542134 .6.S2  
 VCD542134 .6.S3  
 VCD542134 .6.S4  
 VCD542134 .6.S5  
 VCD572134 .6.S1  
 VCD572134 .6.S2  
 VCD572134 .6.S3  
 VCD572134 .6.S4  
 VCD572134 .6.S5  
 VCD602134 .6.S1  
 VCD602134 .6.S2  
 VCD602134 .6.S3  
 VCD602134 .6.S4  
 VCD602134 .6.S5

### Drawer-Door-Drawer

12"-18"-12"  
 12"-18"-12"  
 12"-18"-12"  
 12"-18"-12"  
 12"-18"-12"  
 12"-21"-12"  
 12"-21"-12"  
 12"-21"-12"  
 12"-21"-12"  
 12"-21"-12"  
 12"-21"-12"  
 12"-24"-12"  
 12"-24"-12"  
 12"-24"-12"  
 12"-24"-12"  
 12"-27"-12"  
 12"-27"-12"  
 12"-27"-12"  
 12"-27"-12"  
 12"-27"-12"  
 15"-24"-15"  
 15"-24"-15"  
 15"-24"-15"  
 15"-24"-15"  
 15"-27"-15"  
 15"-27"-15"  
 15"-27"-15"  
 15"-27"-15"  
 15"-27"-15"

- Specify R or L for single door hinging
- Two standard drawers
- Four deep drawers
- 4 1/2" high skirt ships separately
- Scoop Top Drawer option available
- Sink Base Door Storage Unit is available on single door cabinets
- Optional Vanity Wood Tiered Drawer Storage, Vanity Shallow Wood Tiered Drawer Storage and Vanity Adjustable Drawer Divider are available

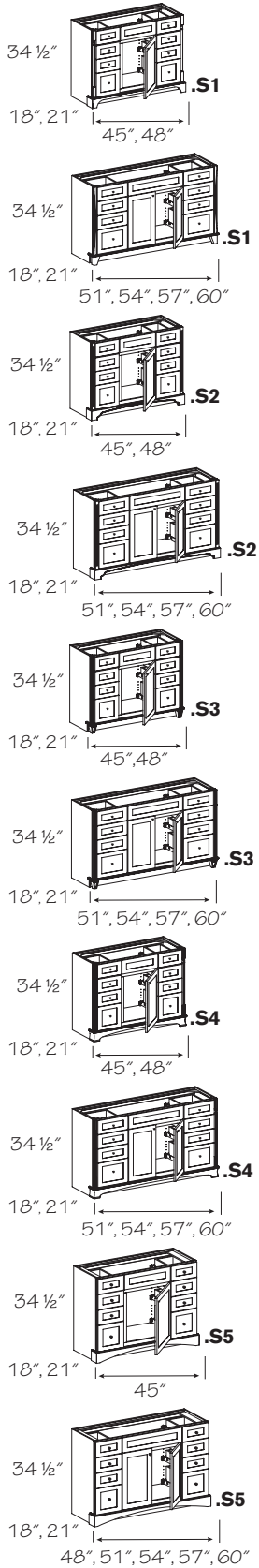
☆ Max. (ID) is 24"

- APFC
- ◆ FPFB
- MI
- DE
- AD\_E
- RD
- ☆ ID
- TWR
- WR
- XS
- XSB
- GD
- RTK
- VTK

※ Scoop Top Drawer option available  
 ☆ Unavailable in (ID)

Cabinet	Max. Opening from Drawer Box to Drawer Box
VCD45_34.6.S_	21" Sink Center
VCD48_34.6.S_	24" Sink Center
VCD51_34.6.S_	27" Sink Center
VCD54_34.6.S_	30" Sink Center
VCD57_34.6.S_	27" Sink Center
VCD60_34.6.S_	30" Sink Center

## Vanity Combination Drawer w/Decorative Accents (8)



34 1/2" High, 18" Deep

- ★ VCD451834 R or L.8.S1
- ★ VCD451834 R or L.8.S2
- ★ VCD451834 R or L.8.S3
- ★ VCD451834 R or L.8.S4
- ★ VCD451834 R or L.8.S5
- ★ VCD481834 R or L.8.S1
- ★ VCD481834 R or L.8.S2
- ★ VCD481834 R or L.8.S3
- ★ VCD481834 R or L.8.S4
- ★ VCD481834 .8.S5
- ★ VCD511834 .8.S1
- ★ VCD511834 .8.S2
- ★ VCD511834 .8.S3
- ★ VCD511834 .8.S4
- ★ VCD511834 .8.S5
- ★ VCD541834 .8.S1
- ★ VCD541834 .8.S2
- ★ VCD541834 .8.S3
- ★ VCD541834 .8.S4
- ★ VCD541834 .8.S5
- ★ VCD571834 .8.S1
- ★ VCD571834 .8.S2
- ★ VCD571834 .8.S3
- ★ VCD571834 .8.S4
- ★ VCD571834 .8.S5
- ★ VCD601834 .8.S1
- ★ VCD601834 .8.S2
- ★ VCD601834 .8.S3
- ★ VCD601834 .8.S4
- ★ VCD601834 .8.S5

Drawer-Door-Drawer

- 12"-21"-12"
- 12"-18"-12"
- 12"-18"-12"
- 12"-18"-12"
- 12"-18"-12"
- 12"-24"-12"
- 12"-21"-12"
- 12"-21"-12"
- 12"-21"-12"
- 12"-21"-12"
- 12"-24"-12"
- 12"-24"-12"
- 12"-24"-12"
- 12"-24"-12"
- 12"-27"-12"
- 12"-27"-12"
- 12"-27"-12"
- 12"-27"-12"
- 15"-24"-12"
- 15"-24"-15"
- 15"-24"-15"
- 15"-24"-15"
- 15"-27"-15"
- 15"-27"-15"
- 15"-27"-15"
- 15"-27"-15"
- 15"-27"-15"
- 15"-30"-15"

• Specify R or L for single door hinging

- Six standard drawers
- Two deep drawers
- 4 1/2" high skirt ships separately
- Scoop Top Drawer option available
- Sink Base Door Storage Unit is available on single door cabinets
- Optional Vanity Wood Tiered Drawer Storage, Vanity Shallow Wood Tiered Drawer Storage and Vanity Adjustable Drawer Divider are available

☆ Max. (ID) is 24"

- APFC
- ❖ FPFB
- MI
- DE
- AD\_E
- RD
- ☆ ID
- TWR
- WR
- XS
- XSB
- GD
- RTK
- VTK

34 1/2" High, 21" Deep

- VCD452134 R or L.8.S1
- VCD452134 R or L.8.S2
- VCD452134 R or L.8.S3
- VCD452134 R or L.8.S4
- VCD452134 R or L.8.S5
- VCD482134 R or L.8.S1
- VCD482134 R or L.8.S2
- VCD482134 R or L.8.S3
- VCD482134 .8.S5
- VCD512134 .8.S1
- VCD512134 .8.S2
- VCD512134 .8.S3
- VCD512134 .8.S4
- VCD512134 .8.S5
- VCD542134 .8.S1
- VCD542134 .8.S2
- VCD542134 .8.S3
- VCD542134 .8.S4
- VCD542134 .8.S5
- VCD572134 .8.S1
- VCD572134 .8.S2
- VCD572134 .8.S3
- VCD572134 .8.S4
- VCD572134 .8.S5
- VCD602134 .8.S1
- VCD602134 .8.S2
- VCD602134 .8.S3
- VCD602134 .8.S4
- VCD602134 .8.S5

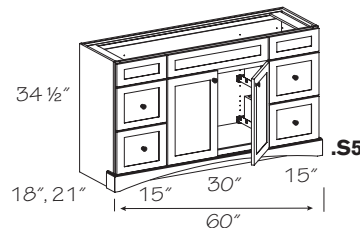
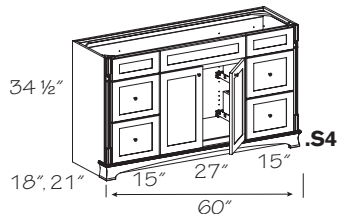
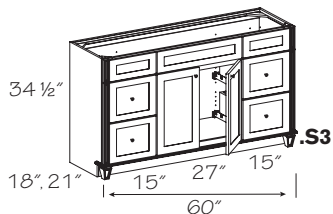
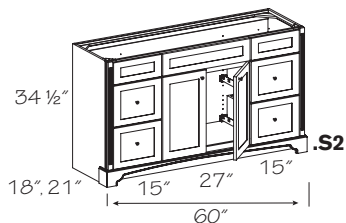
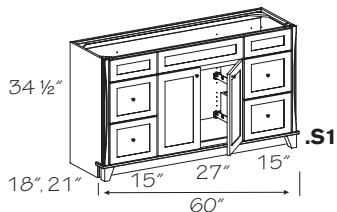
Drawer-Door-Drawer

- 12"-18"-12"
- 12"-18"-12"
- 12"-18"-12"
- 12"-18"-12"
- 12"-21"-12"
- 12"-21"-12"
- 12"-21"-12"
- 12"-21"-12"
- 12"-24"-12"
- 12"-24"-12"
- 12"-24"-12"
- 12"-24"-12"
- 12"-27"-12"
- 12"-27"-12"
- 12"-27"-12"
- 12"-27"-12"
- 15"-24"-12"
- 15"-24"-15"
- 15"-24"-15"
- 15"-24"-15"
- 15"-27"-15"
- 15"-27"-15"
- 15"-27"-15"
- 15"-27"-15"
- 15"-27"-15"
- 15"-30"-15"

★ Unavailable in (ID)

Cabinet	Max. Opening from Drawer Box to Drawer Box
VCD45_34.8.S_	21" Sink Center
VCD48_34.8.S_	24" Sink Center
VCD51_34.8.S_	27" Sink Center
VCD54_34.8.S_	30" Sink Center
VCD57_34.8.S_	27" Sink Center
VCD60_34.8.S_	30" Sink Center

### Vanity Combination Drawer w/Decorative Accents – Full False Front (4)



- 34 1/2" High, 18" Deep
- ★ **VCDF601834 .4.S1**
  - ★ **VCDF601834 .4.S2**
  - ★ **VCDF601834 .4.S3**
  - ★ **VCDF601834 .4.S4**
  - ★ **VCDF601834 .4.S5**

- 34 1/2" High, 21" Deep
- VCDF602134 .4.S1**
  - VCDF602134 .4.S2**
  - VCDF602134 .4.S3**
  - VCDF602134 .4.S4**
  - VCDF602134 .4.S5**

★ Unavailable in (ID)

- Three drawer fronts
  - Four deep drawers
  - 4 1/2" high skirt ships separately
  - Optional Vanity Wood Tiered Drawer Storage, Vanity Shallow Wood Tiered Drawer Storage and Vanity Adjustable Drawer Divider are available
- ☆ Max. (ID) is 24"

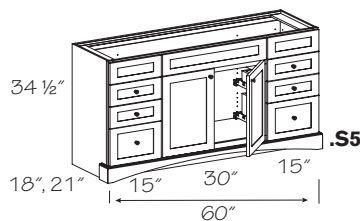
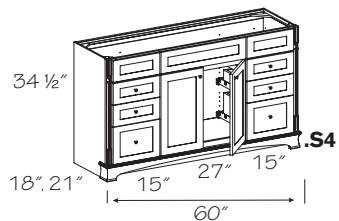
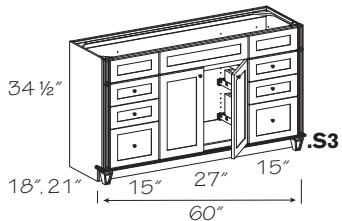
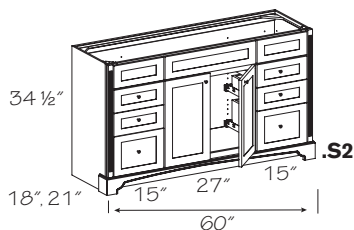
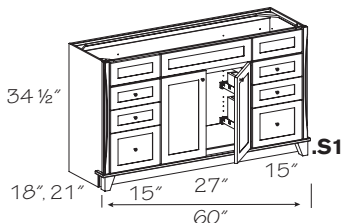


Tip: False fronts across the entire width of the cabinet allows design flexibility for single or double sink bowls

- APFC
- ❖ FPFB
- MI
- DE
- AD\_E
- RD
- ☆ ID
- TWR
- WR
- XS
- XSB
- GD
- RTK
- VTK

Cabinet	Max. Opening from Frame Stile to Frame Stile	Max Depth from Top of Cabinet to 1st Drawer Box
<b>VCDF60_34.4.S_</b>	30" Sink Center	8 3/8" Sink Center

### Vanity Combination Drawer w/Decorative Accents – Full False Front (6)



- 34 1/2" High, 18" Deep
- ★ **VCDF601834 .6.S1**
  - ★ **VCDF601834 .6.S2**
  - ★ **VCDF601834 .6.S3**
  - ★ **VCDF601834 .6.S4**
  - ★ **VCDF601834 .6.S5**

- 34 1/2" High, 21" Deep
- VCDF602134 .6.S1**
  - VCDF602134 .6.S2**
  - VCDF602134 .6.S3**
  - VCDF602134 .6.S4**
  - VCDF602134 .6.S5**

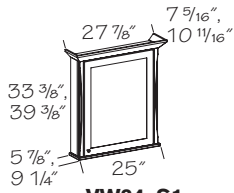
★ Unavailable in (ID)

- Three drawer fronts
  - Four standard drawers
  - Two deep drawers
  - 4 1/2" high skirt ships separately
  - Optional Vanity Wood Tiered Drawer Storage, Vanity Shallow Wood Tiered Drawer Storage and Vanity Adjustable Drawer Divider are available
- ☆ Max. (ID) is 24"

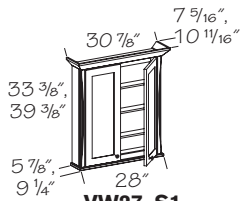
- APFC
- ❖ FPFB
- MI
- DE
- AD\_E
- RD
- ☆ ID
- TWR
- WR
- XS
- XSB
- GD
- RTK
- VTK

Cabinet	Max. Opening from Frame Stile to Frame Stile	Max Depth from Top of Cabinet to 1st Drawer Box
<b>VCDF60_34.6.S_</b>	30" Sink Center	8 1/8" Sink Center

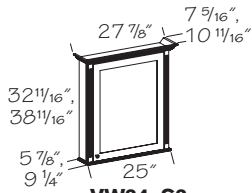
## Vanity Wall Cabinet w/Decorative Accents



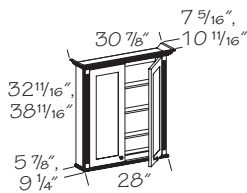
**VW24 .S1**



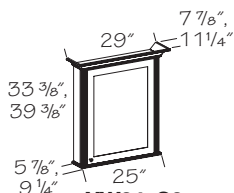
**VW27 .S1**



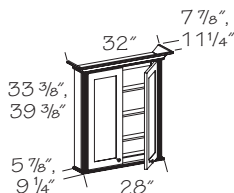
**VW24 .S2**



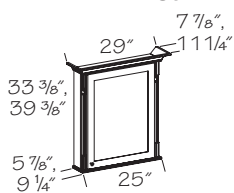
**VW27 .S2**



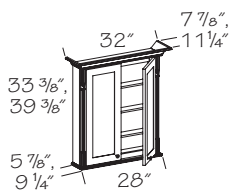
**VW24 .S3**



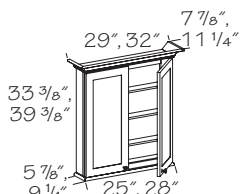
**VW27 .S3**



**VW24 .S4**



**VW27 .S4**



**.S5**

5 7/8" Deep, 30" High

**VW240430 R or L.S1**  
**VW240430 R or L.S2**  
**VW240430 R or L.S3**  
**VW240430 R or L.S4**  
**VW240430 .S5**  
**VW270430 .S1**  
**VW270430 .S2**  
**VW270430 .S3**  
**VW270430 .S4**  
**VW270430 .S5**

5 7/8" Deep, 36" High

**VW240436 R or L.S1**  
**VW240436 R or L.S2**  
**VW240436 R or L.S3**  
**VW240436 R or L.S4**  
**VW240436 .S5**  
**VW270436 .S1**  
**VW270436 .S2**  
**VW270436 .S3**  
**VW270436 .S4**  
**VW270436 .S5**

9 1/4" Deep, 30" High

**VW240830 R or L.S1**  
**VW240830 R or L.S2**  
**VW240830 R or L.S3**  
**VW240830 R or L.S4**  
**VW240830 .S5**  
**VW270830 .S1**  
**VW270830 .S2**  
**VW270830 .S3**  
**VW270830 .S4**  
**VW270830 .S5**

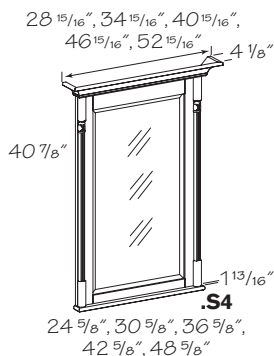
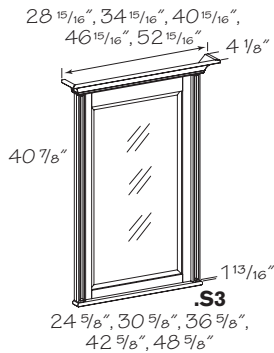
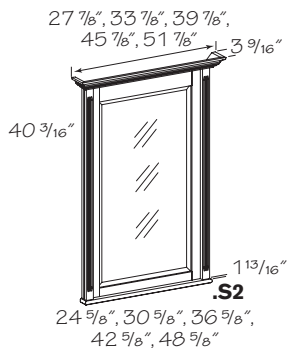
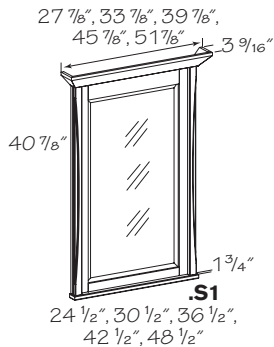
9 1/4" Deep, 36" High

**VW240836 R or L.S1**  
**VW240836 R or L.S2**  
**VW240836 R or L.S3**  
**VW240836 R or L.S4**  
**VW240836 .S5**  
**VW270836 .S1**  
**VW270836 .S2**  
**VW270836 .S3**  
**VW270836 .S4**  
**VW270836 .S5**

- Specify R or L for single door hinging
- Top and bottom plates ship separately

● APFC
❖ FPFB
● MI
DE
AD_E
RD
ID
TWR
WR
● XS
● XSB
● GD
RTK
VTK

Framed Mirror w/Decorative Accents

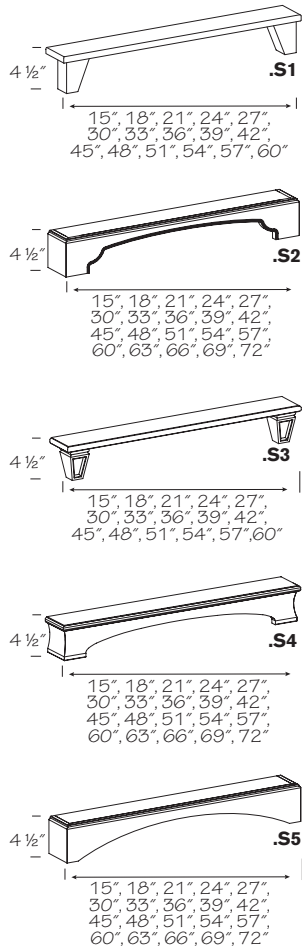


- FM2436 .S1
- FM2436 .S2
- FM2436 .S3
- FM2436 .S4
- FM3036 .S1
- FM3036 .S2
- FM3036 .S3
- FM3036 .S4
- FM3636 .S1
- FM3636 .S2
- FM3636 .S3
- FM3636 .S4
- FM4236 .S1
- FM4236 .S2
- FM4236 .S3
- FM4236 .S4
- FM4836 .S1
- FM4836 .S2
- FM4836 .S3
- FM4836 .S4

• Beveled mirror

APFC
FPEB
MI
DE
AD_E
RD
ID
TWR
WR
XS
XSB
GD
RTK
VTK

### Vanity Decorative Skirt w/Decorative Accents



- VDS1504 .S1
- VDS1504 .S2
- VDS1504 .S3
- VDS1504 .S4
- VDS1504 .S5
- VDS1804 .S1
- VDS1804 .S2
- VDS1804 .S3
- VDS1804 .S4
- VDS1804 .S5
- VDS2104 .S1
- VDS2104 .S2
- VDS2104 .S3
- VDS2104 .S4
- VDS2104 .S5
- VDS2404 .S1
- VDS2404 .S2
- VDS2404 .S3
- VDS2404 .S4
- VDS2404 .S5
- VDS2704 .S1
- VDS2704 .S2
- VDS2704 .S3
- VDS2704 .S4
- VDS2704 .S5
- VDS3004 .S1
- VDS3004 .S2
- VDS3004 .S3
- VDS3004 .S4
- VDS3004 .S5
- VDS3304 .S1
- VDS3304 .S2
- VDS3304 .S3
- VDS3304 .S4
- VDS3304 .S5
- VDS3604 .S1
- VDS3604 .S2
- VDS3604 .S3
- VDS3604 .S4
- VDS3604 .S5
- VDS3904 .S1
- VDS3904 .S2
- VDS3904 .S3
- VDS3904 .S4
- VDS3904 .S5
- VDS4204 .S1
- VDS4204 .S2
- VDS4204 .S3
- VDS4204 .S4
- VDS4204 .S5
- VDS4504 .S1
- VDS4504 .S2
- VDS4504 .S3
- VDS4504 .S4
- VDS4504 .S5
- VDS4804 .S1
- VDS4804 .S2
- VDS4804 .S3
- VDS4804 .S4
- VDS4804 .S5
- VDS5104 .S1
- VDS5104 .S2
- VDS5104 .S3
- VDS5104 .S4
- VDS5104 .S5
- VDS5404 .S1
- VDS5404 .S2
- VDS5404 .S3
- VDS5404 .S4
- VDS5404 .S5
- VDS5704 .S1
- VDS5704 .S2
- VDS5704 .S3
- VDS5704 .S4
- VDS5704 .S5
- VDS6004 .S1
- VDS6004 .S2
- VDS6004 .S3
- VDS6004 .S4
- VDS6004 .S5
- VDS6304 .S2
- VDS6304 .S4
- VDS6304 .S5
- VDS6604 .S2
- VDS6604 .S4
- VDS6604 .S5
- VDS6904 .S2
- VDS6904 .S4
- VDS6904 .S5
- VDS7204 .S2
- VDS7204 .S4
- VDS7204 .S5

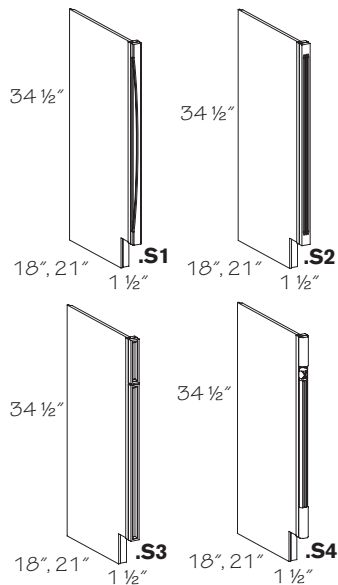
- Solid wood front and sides, finished to match
- Decorative routing at top
- Designed to fit vanity toe kick space
- If desired, order matching toe kick separately and install before skirt



Consider using a Vanity Decorative Skirt with other cabinets to create a furniture look. Example: below a sink base or utility cabinet

- APFC
- FPEB
- MI
- DE
- AD\_E
- RD
- ID
- TWR
- WR
- XS
- XSB
- GD
- RTK
- VTK

### Vanity Decorative Accent End Panel

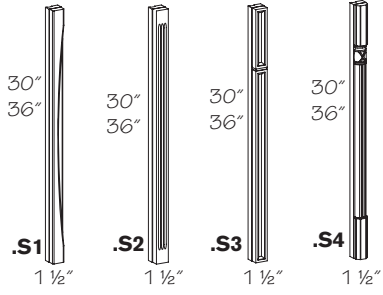


- DEP1834 R or L.S1
- DEP1834 R or L.S2
- DEP1834 R or L.S3
- DEP1834 R or L.S4
- DEP2134 R or L.S1
- DEP2134 R or L.S2
- DEP2134 R or L.S3
- DEP2134 R or L.S4

- Specify R or L
- Applied decorative accent mounted toward end panel
- End panel is trimmable

- APFC
- ◆ FPEB
- MI
- DE
- AD\_E
- RD
- ID
- TWR
- WR
- XS
- XSB
- GD
- RTK
- VTK

**Vanity Decorative Accent Filler**



- DF130 .S1**
- DF130 .S2**
- DF130 .S3**
- DF130 .S4**
- DF136 .S1**
- DF136 .S2**
- DF136 .S3**
- DF136 .S4**

• 3/4" thick solid wood filler with applied decorative accent centered

APFC
FPEB
MI
DE
AD_E
RD
ID
TWR
WR
XS
XSB
GD
RTK
VTK



# Vanity Panels

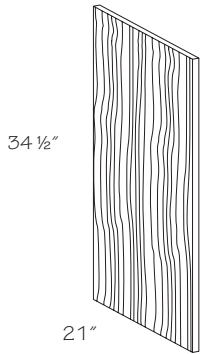
## Construction Options and Modifications

- ❖ Included as standard
- Available with an upcharge
- ☆ Available with exceptions
- (Blank) Unavailable

- PE Plywood Ends
- APC All Plywood Construction
- APFC All Plywood Furniture Construction
- FPEB Furniture Plywood Ends
- MI Matching Interior
- DE Integrated Decorative End
- AD\_E Attached Decorative End
- CW Change Width
- RD Reduced Depth
- CH Change Height
- WR Wide Bottom Rail
- VTK Void Toe Kick

Material dimensions listed may vary slightly from actual dimensions of the product. Specifications subject to change without notice.

### Vanity End Panel



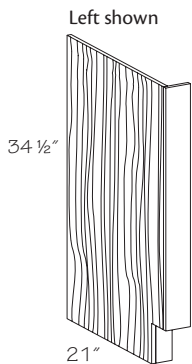
- Vinyl *Width x Height x Thickness*
- **VVEP2134** 21" x 34 1/2" x 3/4"
- Wood Veneer
- ※ **WVEP2134** 21" x 34 1/2" x 13/16"

- Quartersawn door styles are supplied plain sawn
- ※ Painted hardwood supplied for EverCore® and Thermofoil

- Edgebanded one long edge
- Finished to match exterior both sides
- ☆ APC panel only available in wood veneer
- ☆ APC panel is 11/16" thick

- PE
- ☆ APC
- APFC
- FPEB
- MI
- DE
- AD\_E
- CW
- RD
- CH
- WR
- VTK

### Vanity End Panel w/Stile

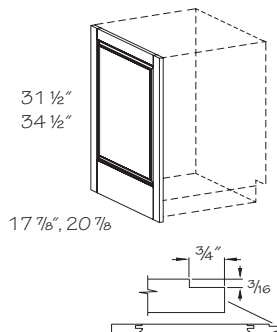


- VEP1 1/2 R or L.34
- VEP3 R or L.34

- Specify R or L
- Exterior finished to match, interior is Natural Birch vinyl and machined to match a cabinet end panel
- Crafted door styles will be supplied in plain sawn wood
- Quartersawn door styles are supplied plain sawn
- Painted hardwood supplied for EverCore®
- Painted or Stained hardwood supplied for Wood-Grain Foil door styles

- PE
- APC
- APFC
- FPEB
- MI
- DE
- AD\_E
- CW
- RD
- CH
- WR
- VTK

### Matching Vanity End Panel



Standard edge detail — fits flush against 1/2" end panel and behind face frame

- MVEP1831 R or L
- MVEP2131 R or L
- MVEP1834 R or L
- MVEP2134 R or L

- Specify R or L
- 3/4" thick panel with matching door edge profile on front edge only
- Matching panel may **not** align with the cabinet doors
- Left shown
- Foil and slab door styles do **not** have grooves and will **not** fit flush against 1/2" end panel. A 3/16" shim is recommended
- Unavailable in High-Gloss Foil door styles
- Unavailable in Mitered door styles; use End Panel-Mitered
- Quartersawn door styles are supplied plain sawn
- ☆ Field notch Wide Bottom Rail for toe kick

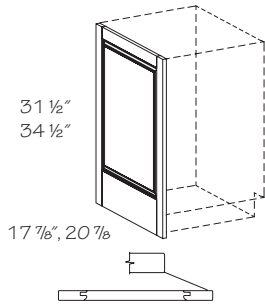
- PE
- APC
- APFC
- FPEB
- MI
- DE
- AD\_E
- CW
- RD
- CH
- ☆ WR
- VTK



When designing with Matching End Panels the reveal will differ from the cabinet door height reveal. Matching End Panels cover the entire side of the cabinet. See drawing for exact measurements

### Matching Vanity End Panel - Square Edges

**MVEP1831 .S**  
**MVEP2131 .S**  
**MVEP1834 .S**  
**MVEP2134 .S**



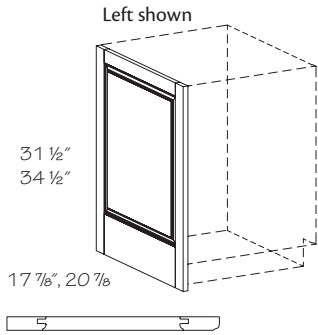
Will not fit flush against 1/2" end panel, a 3/16" shim is recommended

- 3/4" thick panel with square edge front and back
- Inside of matching panel bottom rail will line up with inside bottom rail of door
- Reversible, may be used on either right or left end
- No frame recess dado
- Field install
- Unavailable in High-Gloss Foil, Thermofoil or Wood-Grain Foil door styles
- Unavailable in mitered door styles; use End Panel-Mitered
- Quartersawn door styles are supplied plain sawn
- ☆ Field notch Wide Bottom Rail for toe kick

PE
APC
APFC
FPEB
MI
DE
AD_E
● CW
RD
● CH
☆ WR
VTK

### Furniture Matching Vanity End Panel

**FMVEP1831 R or L**  
**FMVEP2131 R or L**  
**FMVEP1834 R or L**  
**FMVEP2134 R or L**

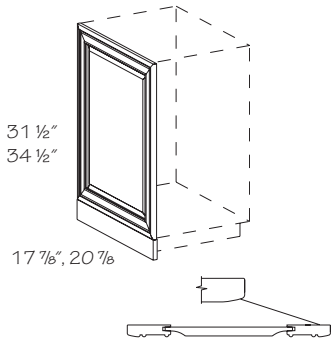


- Specify R or L
- 3/4" thick panel with matching door edge profile on front edge only
- Inside of matching panel bottom rail will line up with inside bottom rail of door
- For use with Furniture Plywood Ends-flush ends
- Unavailable in mitered door styles; use End Panel-Mitered
- Unavailable in High-Gloss Foil or Wood-Grain Foil door styles
- Quartersawn door styles are supplied plain sawn
- ☆ Field notch Wide Bottom Rail for toe kick
- Field install

PE
APC
APFC
FPEB
MI
DE
AD_E
● CW
RD
● CH
☆ WR
VTK

### Matching Vanity End Panel - Mitered

**M.MVEP1831**  
**M.MVEP2131**  
**M.MVEP1834**  
**M.MVEP2134**



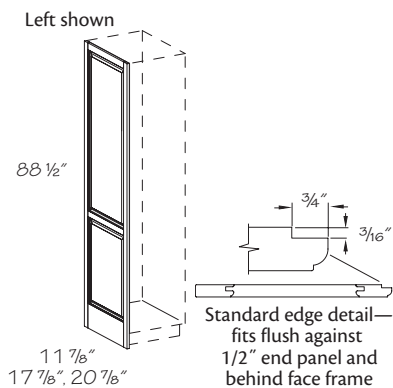
Will not fit flush against 1/2" end panel, a 3/16" shim is recommended

- 3/4" thick panel with matching door edge profile on front edge only
- Inside of matching panel bottom rail will line up with inside bottom rail of door
- Available in mitered and Coleburne door styles only
- Reversible, may be used on either right or left end
- Toe kick shipped unattached
- ☆ Field notch Wide Bottom Rail for toe kick
- Field install

PE
APC
APFC
FPEB
MI
DE
AD_E
● CW
RD
● CH
☆ WR
VTK

### Matching Tall Vanity End Panel

○ **MTEP1288 R or L**  
 ○ **MTEP1888 R or L**  
 ○ **MTEP2188 R or L**  
 ○ (CW) option unavailable

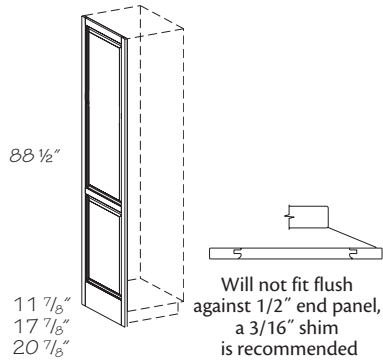


- Specify R or L
- 3/4" thick panel with matching door edge profile on front edge only
- Matching panel may **not** align with the cabinet doors
- Unavailable in High-Gloss Foil, Thermofoil or Wood-Grain Foil door styles
- Unavailable in mitered door styles; use End Panel-Mitered
- Unavailable in slab door styles
- ☆ Field notch Wide Bottom Rail for toe kick
- Field install

PE
APC
APFC
FPEB
MI
DE
AD_E
☆ CW
RD
● CH
☆ WR
VTK



When designing with Matching End Panels the reveal will differ from the cabinet door height reveal. Matching End Panels cover the entire side of the cabinet. See drawing for exact measurements

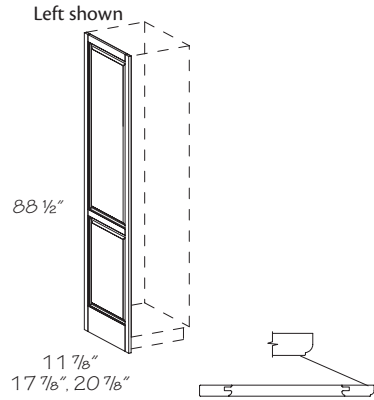


### Matching Tall Vanity End Panel - Square Edges

- **MTEP1288 .S**
- **MTEP1888 .S**
- **MTEP2188 .S**
- (CW) option unavailable

- 3/4" thick panel with square edge front and back
- Reversible, may be used on either right or left end
- No frame recess dado
- Matching panel may **not** align with the cabinet doors
- Unavailable in High-Gloss Foil, Thermofoil or Wood-Grain Foil door styles
- Unavailable in mitered door styles; use End Panel-Mitered
- Unavailable in slab door styles
- ☆ Field notch Wide Bottom Rail for toe kick
- Field install

PE
APC
APFC
FPEB
MI
DE
AD_E
☆ CW
RD
● CH
☆ WR
VTK

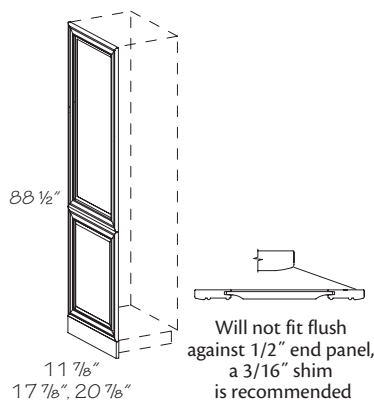


### Furniture Matching Tall Vanity End Panel

- **FMTEP1288 R or L**
- **FMTEP1888 R or L**
- **FMTEP2188 R or L**
- (CW) option unavailable

- Specify R or L
- 3/4" thick panel with matching door edge profile on front edge only
- Matching panel may **not** align with the cabinet doors
- For use with Furniture Plywood Ends-flush ends
- Unavailable in High-Gloss Foil, Thermofoil or Wood-Grain Foil door styles
- Unavailable in mitered door styles; use End Panel-Mitered
- Unavailable in slab door styles
- ☆ Field notch Wide Bottom Rail for toe kick
- Field install

PE
APC
APFC
FPEB
MI
DE
AD_E
☆ CW
RD
● CH
☆ WR
VTK



### Matching Tall Vanity End Panel - Mitered

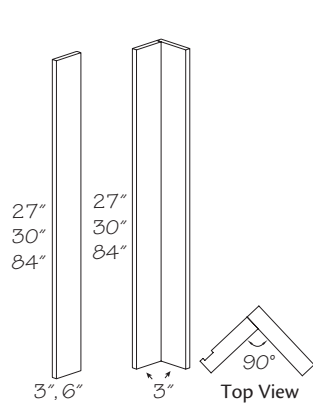
- **M.MTEP1288**
- **M.MTEP1888**
- **M.MTEP2188**
- (CW) option unavailable

- 3/4" thick panel with matching door edge profile on four sides
- Matching panel may **not** align with the cabinet doors
- Reversible, may be used on either right or left end
- Available in mitered door styles only
- Top, bottom and toe kick shipped separately
- Unavailable in High-Gloss Foil, Thermofoil or Wood-Grain Foil door styles
- Field install

PE
APC
APFC
FPEB
MI
DE
AD_E
☆ CW
RD
● CH
WR
VTK

# Vanity Fillers

Material dimensions listed may vary slightly from actual dimensions of the product. Specifications subject to change without notice.



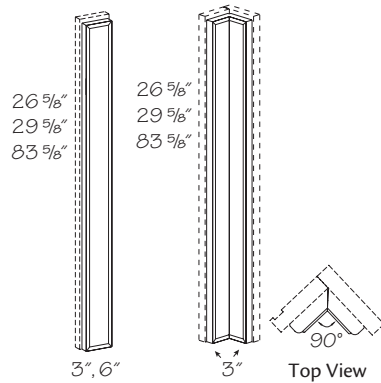
## Vanity Filler

**VF3 .31**  
**VF6 .31**  
**VF3 .34**  
**VF6 .34**  
**VF3 .88**  
**VF6 .88**  
**VF3X3 .31**  
**VF3X3 .34**

- 3/4" thick solid wood
- Crafted door styles will be supplied in plain sawn wood
- Quartersawn door styles are supplied plain sawn
- Finished one side only
- Painted hardwood supplied for EverCore®
- Painted or Stained hardwood supplied for Wood-Grain Foil door styles
- No toe kick



Remember to use fillers with full overlay door styles, especially square edge profiles, when cabinets will be against a return wall, box, pilaster or column. Use fillers on all overlays if there is case molding on a return wall. This will ensure proper clearance for drawers and roll-out tray access.



## Vanity Filler Overlay

**VFOL3 .31**  
**VFOL6 .31**  
**VFOL3 .34**  
**VFOL6 .34**  
**VFOL3 .88**  
**VFOL6 .88**  
**▲ VFOL3X3 .31**  
**▲ VFOL3X3 .34**  
**※ VFOL3 .88.FH**  
**※ VFOL6 .88.FH**

- ▲ Shipped as two pieces in Thermofoil and Wood-Grain Foil door styles; field trim and miter
- ※ Unavailable in Thermofoil or Wood-Grain Foil door styles

- Available in full overlay door styles only
- Available in High-Gloss Foils finish except in 3X3 models
- Filler overlay has routed door profile and is made from the same material as doors and drawer fronts
- Filler ordered separately
- Consider using Custom Filler Overlay option in applications that require (CW)



## Custom Filler Overlay

**CFOL**

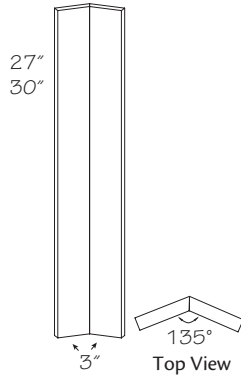
- Slab design only

### Matching Outside Profile

Min. Width	Max. Width	Min. Height	Max. Height
2 5/8"	8"	6"	96"

### Vanity Inside Corner Angle Filler

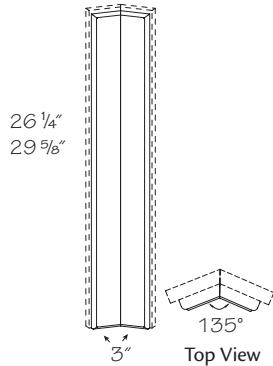
**ICAF27**  
**ICAF30**



- 3/4" thick solid wood
- Crafted door styles will be supplied in plain sawn wood
- Quartersawn door styles are supplied plain sawn
- Painted or Stained hardwood supplied for Wood-Grain Foil door styles
- Finished one side only
- Unavailable in Thermofoil door styles

### Vanity Inside Corner Angle Filler Overlay

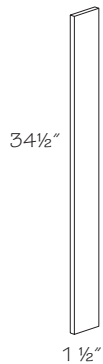
**ICAFOL27**  
**ICAFOL30**



- 3/4" thick solid wood
- Available in full overlay door styles only
- Filler overlay has routed door profile and is made from the same material as doors and drawer fronts
- Filler ordered separately
- Shipped as two pieces
- Unavailable in Thermofoil door styles

### Vanity Furniture Filler

**VF134 .FH**



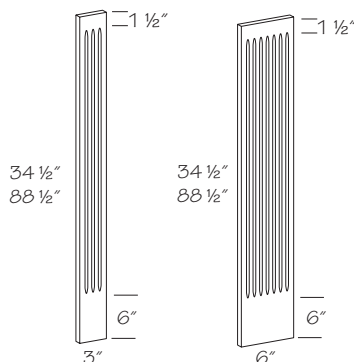
- 3/4" thick solid wood
- Available in Cherry, EverCore®, Thermofoil, Maple and Wood-Grain Foil door styles only
- Painted hardwood supplied for EverCore® and Thermofoil
- Painted or Stained hardwood supplied for Wood-Grain Foil door styles
- Finished on side and edge
- No toe kick
- Intended for Decorative Accent Vanity collections



Remember to use a Vanity Furniture Filler when placing a decorative accent vanity against a wall (3/4") or when placing two decorative accent vanities together (1 1/2"). This will ensure proper placement and avoid any decorative skirt interference during installation.

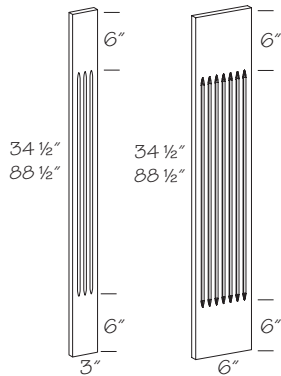
### Vanity Fluted Filler

**VFF3 .34**  
**VFF6 .34**  
**VFF3 .88**  
**VFF6 .88**



- 3/4" thick solid wood
- Painted hardwood supplied for EverCore® and Thermofoil
- Painted or Stained hardwood supplied for Wood-Grain Foil door styles
- Quartersawn door styles are supplied plain sawn

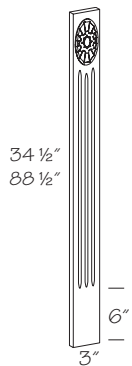
**Plain Capital Vanity Fluted Filler**



**PCVFF3 .34**  
**PCVFF6 .34**  
**PCVFF3 .88**  
**PCVFF6 .88**

- 3/4" thick solid wood
- Painted hardwood supplied for EverCore® and Thermofoil
- Painted or Stained hardwood supplied for Wood-Grain Foil door styles
- Quartersawn door styles are supplied plain sawn

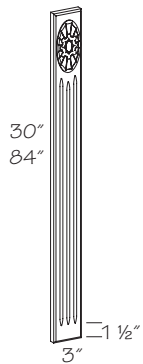
**Rosette Vanity Fluted Filler**



**RVFF3 .34**  
**RVFF3 .88**

- 3/4" thick solid wood
- Applied decorative rosette
- Painted hardwood supplied for EverCore® and Thermofoil
- Quartersawn door styles are supplied plain sawn
- Unavailable in Rustic Alder, High-Gloss Foil or Wood-Grain Foil door styles

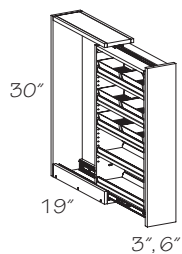
**Rosette Vanity Fluted Filler Overlay**



**RFVFL3 .34**  
**RFVFL3 .88**

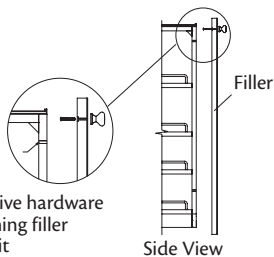
- 3/4" thick solid wood
- Applied decorative rosette
- Painted hardwood supplied for EverCore® and Thermofoil
- Quartersawn door styles are supplied plain sawn
- Unavailable in Rustic Alder, High-Gloss Foil or Wood-Grain Foil door styles

**Vanity Filler Pull-out**



**VFP32130**  
**VFP62130**

- Four adjustable shelves, one fixed shelf
- Includes six clear plastic trays; replacements available. See Vanity Accessories section
- Unit slides on full extension side-mount runners
- Crafted door styles will be supplied in plain sawn wood
- Quartersawn door styles are supplied plain sawn
- Painted hardwood supplied for EverCore®
- Painted or Stained hardwood supplied for Wood-Grain Foil door styles
- Recommended installation is between two cabinets
- Installation may also be made between a cabinet and a wall or a cabinet and an end panel with stile
- Filler is included, but unattached. Unit should be installed before removing shipping brace and attaching filler
- A filler overlay is recommended for full overlay door styles; order separately
- No toe kick



Install decorative hardware prior to attaching filler to pull-out unit

# Vanity Decorative Accents

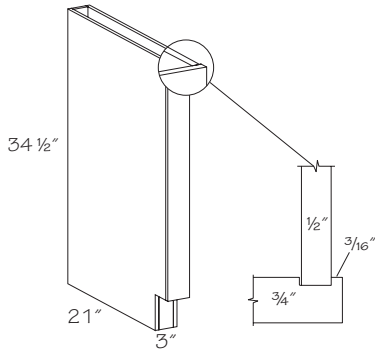
## Construction Options and Modifications

- ❖ Included as standard
- Available with an upcharge
- ☆ Available with exceptions
- (Blank) Unavailable

- PE Plywood Ends
- APC All Plywood Construction
- APFC All Plywood Furniture Construction
- FPEB Furniture Plywood Ends
- AD\_E Attached Decorative End
- CW Change Width
- RD Reduced Depth
- CH Change Height
- WR Wide Bottom Rail
- VTK Void Toe Kick

Material dimensions listed may vary slightly from actual dimensions of the product. Specifications subject to change without notice.

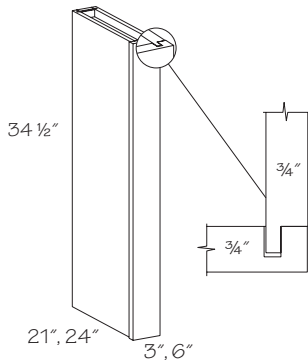
### Vanity Box VB32134



- Finished front and both sides
- Reversible, may be used on either right or left end
- Painted hardwood supplied for EverCore®
- Painted or Stained hardwood supplied for Wood-Grain Foil door styles

- PE
- APC
- APFC
- FPEB
- AD\_E
- CW
- RD
- CH
- WR
- VTK

### Vanity Column

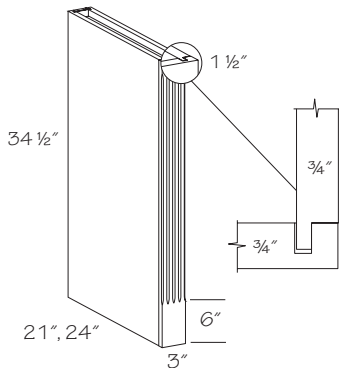


- 21" Deep
- VC32134
- VC62134
- 24" Deep
- VC32434
- VC62434
- (CW) option unavailable

- Front is 3/4" solid wood
- Quartersawn Oak door styles have 3/4" solid quartersawn wood front and quartersawn wood veneer end panels
- Painted hardwood supplied for EverCore®
- Plain sawn material supplied for Crafted door styles
- Foil-wrapped MDF supplied for Wood-Grain Foil door styles on face frame only
- Finished front and both sides
- Reversible, may be used on either right or left end
- ☆ (APFC) standard when (APC) option is selected

- PE
- APC
- ☆ APFC
- ❖ FPEB
- AD\_E
- ☆ CW
- RD
- CH
- ❖ WR
- VTK

### Vanity Fluted Column

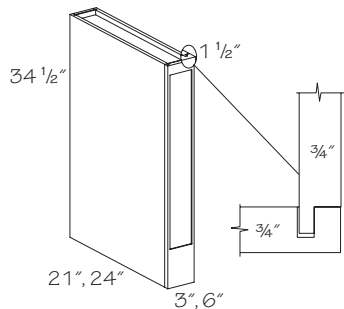


- 21" Deep
- VFC32134
- 24" Deep
- VFC32434

- Fluted front is 3/4" solid wood; plain sawn wood supplied for quartersawn door styles
- Quartersawn Oak door styles have quartersawn wood veneer end panels
- Finished front and both sides
- Reversible, may be used on either right or left end
- Painted hardwood supplied for EverCore®
- Painted or Stained hardwood supplied for Wood-Grain Foil door styles
- Plain sawn material supplied for Crafted door styles
- Unavailable in Rustic Alder door styles
- ☆ (APFC) standard when (APC) option is selected

- PE
- APC
- ☆ APFC
- ❖ FPEB
- AD\_E
- CW
- RD
- CH
- ❖ WR
- VTK

### Sterling Vanity Column

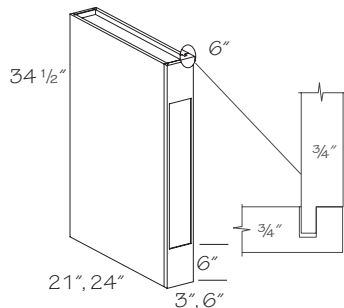


**STVC321**  
**STVC621**  
**STVC324**  
**STVC624**

- Front is 3/4" solid wood
- Available in Rustic Alder, Cherry, EverCore®, Maple and White Wood-Grain Foil door styles only
- Painted hardwood supplied for EverCore® and Thermofoil
- Finished front and both sides
- Reversible, may be used on either right or left end
- ☆ (APFC) standard when (APC) option is selected

PE
● APC
☆ APFC
❖ FPFB
AD_E
CW
● RD
● CH
❖ WR
VTK

### Plain Capital Sterling Vanity Column

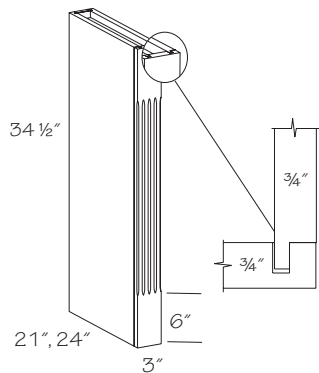


**PCSTVC321**  
**PCSTVC621**  
**PCSTVC324**  
**PCSTVC624**

- Front is 3/4" solid wood
- Available in Rustic Alder, Cherry, EverCore®, Maple and White Wood-Grain Foil door styles only
- Painted hardwood supplied for EverCore®
- Plain sawn material supplied for Crafted door styles
- Finished front and both sides
- Reversible, may be used on either right or left end
- ☆ (APFC) standard when (APC) option is selected

PE
● APC
☆ APFC
❖ FPFB
AD_E
CW
● RD
● CH
❖ WR
VTK

### Plain Capital Vanity Fluted Column

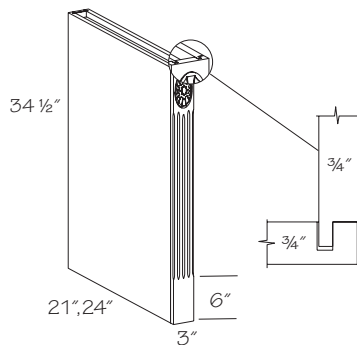


21" Deep  
**PCVFC32134**  
 24" Deep  
**PCVFC32434**

- Fluted front is 3/4" solid wood; plain sawn wood supplied for quartersawn door styles
- Quartersawn Oak door styles have quartersawn wood veneer end panels
- Painted hardwood supplied for EverCore®
- Painted or Stained hardwood supplied for Wood-Grain Foil door styles
- Plain sawn material supplied for Crafted door styles
- ☆ (APFC) standard when (APC) option is selected
- Finished front and both sides
- Reversible, may be used on either right or left end

PE
● APC
☆ APFC
❖ FPFB
AD_E
CW
● RD
● CH
❖ WR
VTK

### Rosette Vanity Fluted Column



21" Deep  
**RVFC32134**  
 24" Deep  
**RVFC32434**

- Fluted front is 3/4" solid wood; plain sawn wood supplied for quartersawn door styles
- Quartersawn Oak door styles have quartersawn wood veneer end panels
- Finished front and both sides
- Reversible, may be used on either right or left end
- Applied decorative rosette
- Painted hardwood supplied for EverCore® and Thermofoil
- Plain sawn material supplied for Crafted door styles
- Unavailable in Rustic Alder, High-Gloss Foil or Wood-Grain Foil door styles
- ☆ (APFC) standard when (APC) option is selected

PE
● APC
☆ APFC
❖ FPFB
AD_E
CW
● RD
● CH
❖ WR
VTK



# Vanity Cabinet Accessories

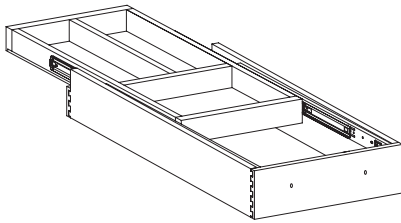
<b>VF3</b>	<b>31</b>
code	height

## Construction Options and Modifications

- ❖ Included as standard
- Available with an upcharge
- ☆ Available with exceptions
- (Blank) Unavailable

APC All Plywood Construction  
MI Matching Interior

Material dimensions listed may vary slightly from actual dimensions of the product. Specifications subject to change without notice.



### Vanity Shallow Wood Tiered Drawer Storage

Factory Installed

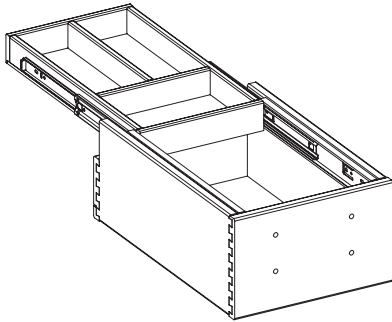
**1VSWTDS**  
**2VSWTDS**  
**4VSWTDS**

Kit

**VSWTDSK1218**  
**VSWTDSK1518**  
**VSWTDSK1818**  
**VSWTDSK1221**  
**VSWTDSK1521**  
**VSWTDSK1821**

- Installed in the top drawer of most cabinets. Please refer to Factory Installed Vanity Drawer accessory configuration chart
- Sliding top tray
- Fits 12"-18" wide 4" deep vanity drawers

APC  
MI



### Vanity Wood Tiered Drawer Storage

Factory Installed

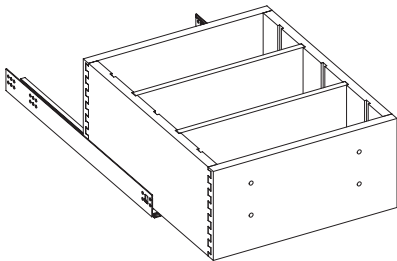
**1VWTDS**  
**2VWTDS**  
**4VWTDS**

Kit

**VWTDSK1218**  
**VWTDSK1518**  
**VWTDSK1818**  
**VWTDSK1221**  
**VWTDSK1521**  
**VWTDSK1821**

- Installed in middle drawer of most cabinets with 2 deep drawers. Please refer to Factory Installed Vanity Drawer accessory configuration chart
- Sliding top tray
- Fits 12"- 18" wide 7" deep vanity drawers

APC  
MI



### Vanity Adjustable Drawer Dividers

Factory Installed

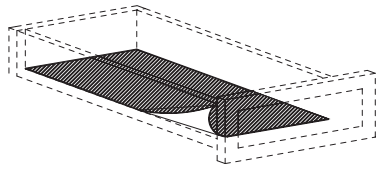
**1VADD**  
**2VADD**  
**4VADD**

Single Replacement  
Dividers Only

**VADDIV12 .7** 12" Wide 7" High Drawers  
**VADDIV15 .7** 15" Wide 7" High Drawers  
**VADDIV18 .7** 18" Wide 7" High Drawers  
**VADDIV21 .7** 21" Wide 7" High Drawers  
**VADDIV24 .7** 24" Wide 7" High Drawers

- Installed in bottom drawer of most cabinets with 2 deep drawers. Please refer to Factory Installed Vanity Drawer accessory configuration chart
- Two dividers and four available slots standard on 18" deep cabinets
- Two dividers and five available slots standard on 21" deep cabinets
- Dividers are 1/2" thick and can be spaced to preference
- Fits 12"- 24" wide vanity drawers

APC  
MI

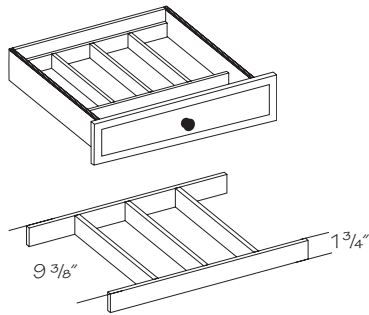


### Non-slip drawer liner

- 9" Wide  
**NSDLK921** For Vanity depth 9" drawer
- 12" Wide  
**NSDLK1221** For Vanity depth 12" drawer
- 15" Wide  
**NSDLK1521** For Vanity depth 15" drawer
- 18" Wide  
**NSDLK1821** For Vanity depth 18" drawer
- 21" Wide  
**NSDLK2121** For Vanity depth 21" drawer
- 24" Wide  
**NSDLK2421** For Vanity depth 24" drawer
- 27" Wide  
**NSDLK2721** For Vanity depth 27" drawer
- 30" Wide  
**NSDLK3021** For Vanity depth 30" drawer
- 33" Wide  
**NSDLK3321** For Vanity depth 33" drawer
- 36" Wide  
**NSDLK3621** For Vanity depth 36" drawer
- Field Trim  
**NSDLR** Roll-60" wide - Field trim to fit

- Textured translucent lining to help prevent movement of items placed inside drawers
- Liners do **not** adhere to the drawer floor
- Fits 21" Deep cabinets
- Available cut to size, see available options
- Also available as a roll (60" x 23 5/8")
- Field install
- Liners sold individually

APC  
MI

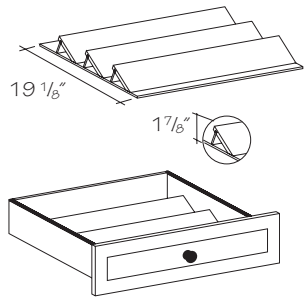


### Vanity Drawer Divider

- VDDK12** 2 Sections
- VDDK15** 3 Sections
- VDDK18** 3 Sections
- VDDK21** 4 Sections
- VDDK24** 4 Sections
- VDDK27** 5 Sections
- VDDK30** 5 Sections
- VDDK33** 6 Sections
- VDDK36** 7 Sections

- 1/2" thick solid wood dividers 1 3/4" high

APC  
MI

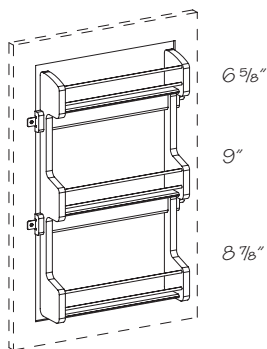


### Vanity Drawer Storage Kit

- VDRSK1218**
- VDRSK1518**
- VDRSK1221**
- VDRSK1521**

- 18" deep has two racks

APC  
MI

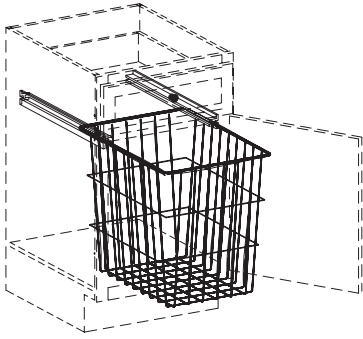


### Vanity Storage Rack Kit

- VSRK15**
- VSRK18**
- VSRK21**

- For use in Vanity Full-Height Cabinets and Vanity Linen Cabinets. Requires 21 1/2 min. height inside frame opening unless trimmed in field

APC  
MI

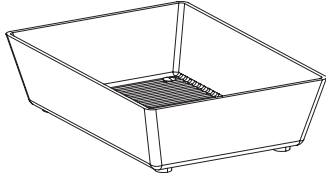


### Hamper Kit

**HK15** 11" W x 17" H x 19" D  
**HK18** 14" W x 17" H x 19" D

- One hamper, two runners
- Field install

APC  
MI

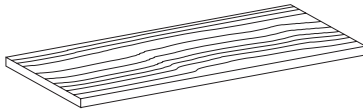


### Vanity Filler Pull-out Replacement Trays

**VFPT3**  
**VFPT6**

- Includes two clear plastic trays

APC  
MI



### Replacement Shelving - Vanity

*For Mirror Cabinet*  
**MCS17**  
*For Vanity Wall Boutique*  
 ◆ **WSVWB24**  
**MCS24**  
*For Tri-View*  
**TVS24**  
**TVS30**  
**TVS36**  
**TVS48**  
*For Vanity Mirror Angle*  
**VMAS12**  
*For Vanity Wall*  
**VWS12**  
**VWS15**  
*For Wall Hung Vanity*  
**WHVS1218** Offset 18" deep  
**WHVS1221** Offset 21" deep

- ◆ 3/4" interior vinyl two sides

- 1/2" interior vinyl two sides
- Edgebanded one long edge
- Size fits interior of cabinet listed
- Includes one shelf
- Shelf clips are sold separately; see replacement hardware

● APC  
● MI

**Notes**

# Office Cabinets

## Construction Options and Modifications

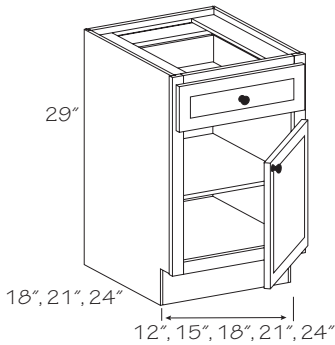
- ❖ Included as standard
- Available with an upcharge
- ☆ Available with exceptions
- (Blank) Unavailable

**Note:** Standard office cabinet box depth is 18", 21" or 24" unless stated otherwise. Add door thickness with bumpers for total depth. Standard base desk cabinet height is 29" unless stated otherwise.

Material dimensions listed may vary slightly from actual dimensions of the product. Specifications subject to change without notice.

- PE Plywood Ends
- APC All Plywood Construction
- APFC All Plywood Furniture Construction
- FPEB Furniture Plywood Ends
- MI Matching Interior
- OE Operational End
- CW Change Width
- RD Reduced Depth
- CH Change Height
- IF Inverted Frame
- TWR Top Wide Rail
- WR Wide Bottom Rail
- XS Extended Stile
- XSB Extended Side Back
- GD Glass Doors
- PTKV Prepared for Toe Kick Vent
- RTK Recessed Toe Kick
- RTKP Recessed Toe Kick Peninsula
- VTK Void Toe Kick
- TKD Toe Kick Drawer

### Desk Door Cabinet - Single Door

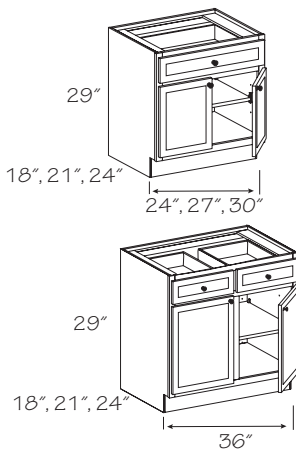


- 18" Deep**
- ❖ **DDO1218 R or L**
- ❖ **DDO1518 R or L**
- ❖ **DDO1818 R or L**
- ❖ **DDO2118 R or L**
- ❖ **DDO2418 R or L**
- 21" Deep**
- ❖ **DDO12 R or L**
- ❖ **DDO15 R or L**
- ❖ **DDO18 R or L**
- ❖ **DDO21 R or L**
- ❖ **DDO24 R or L**
- 24" Deep**
- ❖ **DDO1224 R or L**
- ❖ **DDO1524 R or L**
- ❖ **DDO1824 R or L**
- ❖ **DDO2124 R or L**
- ❖ **DDO2424 R or L**
- (CW) option unavailable
- \* (PTKV) option is unavailable

- Specify R or L for single door hinging
- One adjustable shelf
- Comfortable height for dressing table or writing surface
- DDO12/15/18 available with (FHK) option

- PE
- APC
- APFC
- FPEB
- MI
- OE
- ☆ CW
- RD
- CH
- IF
- TWR
- WR
- XS
- XSB
- GD
- ☆ PTKV
- RTK
- RTKP
- VTK
- TKD

### Desk Door Cabinet - Double Door

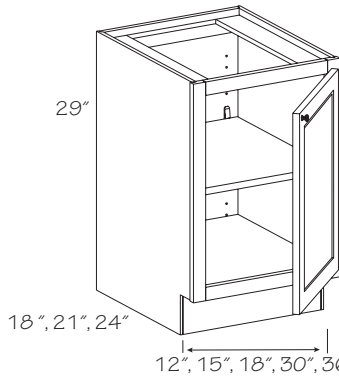


- 18" Deep**
- **DDO2418 BUTT**
- **DDO2718**
- ◆ **DDO3018**
- Two Drawer**
- ◆ **DDO3618 .2D**
- 21" Deep**
- **DDO24 BUTT**
- **DDO27**
- ◆ **DDO30**
- 24" Deep**
- **DDO2424 BUTT**
- **DDO2724**
- ◆ **DDO3024**
- Two Drawer**
- ◆ **DDO3624 .2D**
- (CW) option unavailable
- ◆ 3" center stile

- One adjustable shelf
- Comfortable height for dressing table or writing surface
- DDO30/36 available with (FHK) option

- PE
- APC
- APFC
- FPEB
- MI
- OE
- ☆ CW
- RD
- CH
- IF
- TWR
- WR
- XS
- XSB
- GD
- PTKV
- RTK
- RTKP
- VTK
- TKD

### Desk Full-Height Door

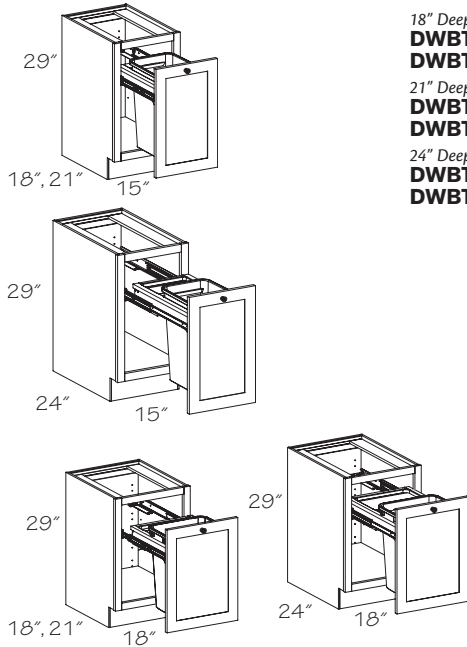


- 18" Deep*  
 \*○ **DDO1218 R or L.FH**  
**DDO1518 R or L.FH**  
**DDO1818 R or L.FH**  
 ◆ **DDO3018 .FH**  
 ◆ **DDO3618 .FH**
- 21" Deep*  
 \*○ **DDO12R or L.FH**  
**DDO15R or L.FH**  
**DDO18R or L.FH**  
 ◆ **DDO30.FH**  
 ◆ **DDO36.FH**
- (CW) option unavailable  
 \* (PTKV) option is unavailable  
 ◆ 3" center stile
- 24" Deep*  
 \*○ **DDO1224 R or L.FH**  
**DDO1524 R or L.FH**  
**DDO1824 R or L.FH**  
 ◆ **DDO3024 .FH**  
 ◆ **DDO3624 .FH**

- Specify R or L for single door hinging
- One adjustable shelf
- Comfortable height for dressing table or writing surface

- PE
- APC
- APFC
- FPFB
- MI
- OE
- ☆ CW
- RD
- CH
- IF
- TWR
- WR
- XS
- XSB
- GD
- ☆ PTKV
- RTK
- RTKP
- VTK
- TKD

### Desk Wastebasket

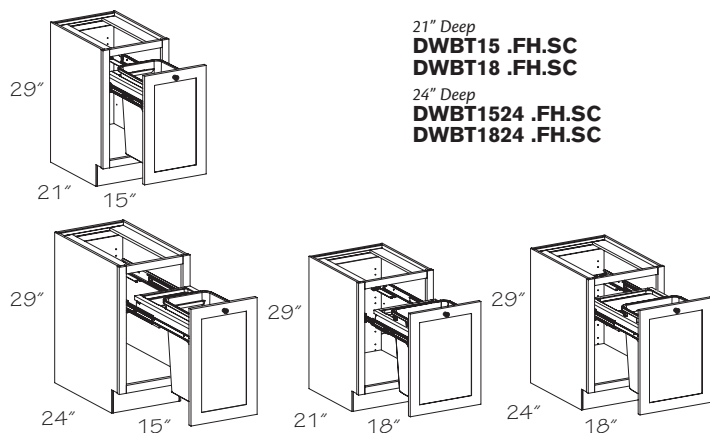


- 18" Deep*  
**DWBT1518 .FH**  
**DWBT1818 .FH**
- 21" Deep*  
**DWBT15 .FH**  
**DWBT18 .FH**
- 24" Deep*  
**DWBT1524 .FH**  
**DWBT1824 .FH**

- One 35 qt. capacity white basket
- Grey basket(s)
- Basket(s) rest in a Natural Maple plywood frame
- Basket(s) are easily removable for emptying or cleaning
- Door is attached to roll-out unit
- Frame slides on full extension glides
- Includes 3 1/2" deep bag storage tray at rear
- Optional Wastebasket Lid (WBL) available for 35 qt. wastebasket

- PE
- APC
- APFC
- FPFB
- MI
- OE
- CW
- RD
- CH
- IF
- TWR
- WR
- XS
- XSB
- GD
- PTKV
- RTK
- RTKP
- VTK
- TKD

## Desk Wastebasket w/Soft - Close Runners

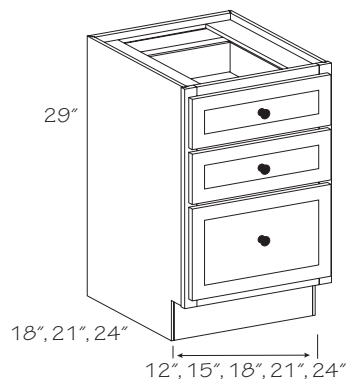


21" Deep  
**DWBT15 .FH.SC**  
**DWBT18 .FH.SC**  
 24" Deep  
**DWBT1524 .FH.SC**  
**DWBT1824 .FH.SC**

- One 35 qt. capacity white basket
- Grey basket(s)
- Basket(s) rest in a Natural Maple plywood frame
- Basket(s) are easily removable for emptying or cleaning
- Door is attached to roll-out unit
- Frame slides on soft close, full extension glides
- Includes 3 1/2" deep bag storage tray at rear
- Optional Wastebasket Lid (WBL) available for 35 qt. wastebasket

●	PE
●	APC
●	APFC
●	FPEB
	MI
	OE
	CW
	RD
	CH
	IF
	TWR
●	WR
●	XS
●	XSB
	GD
●	PTKV
●	RTK
●	RTKP
●	VTK
●	TKD

## Desk Drawer Cabinet



18" Deep  
 \*○ **DDR1218**  
**DDR1518**  
**DDR1818**  
**DDR2118**  
**DDR2418**  
 21" Deep  
 \*○ **DDR12**  
**DDR15**  
**DDR18**  
**DDR21**  
**DDR24**

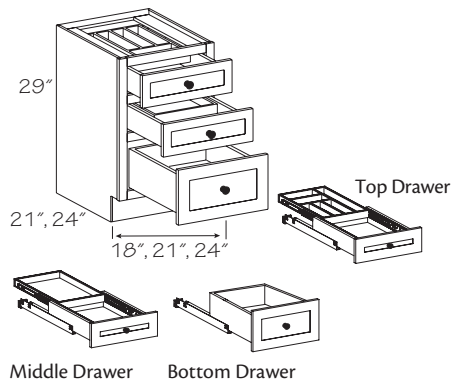
- (CW) option unavailable
- \* (PTKV) option is unavailable

24" Deep  
 \*○ **DDR1224**  
**DDR1524**  
**DDR1824**  
**DDR2124**  
**DDR2424**

- Comfortable height for dressing table or writing surface
- Two standard drawers
- One deep drawer
- Deep drawer is unable to accept hanging file folders

●	PE
●	APC
●	APFC
●	FPEB
	MI
	OE
☆	CW
●	RD
	CH
	IF
●	TWR
●	WR
●	XS
●	XSB
	GD
☆	PTKV
●	RTK
●	RTKP
●	VTK
●	TKD

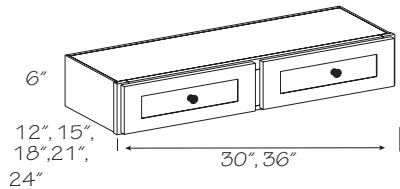
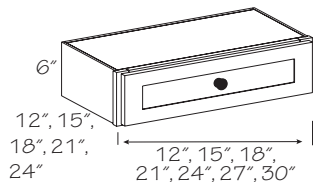
## Desk Multi-Storage Drawer Cabinet



21" Deep  
**DMSD18**  
**DMSD21**  
**DMSD24**  
 24" Deep  
**DMSD1824**  
**DMSD2124**  
**DMSD2424**

- Two Tiered Drawer Storage drawers with dividers in top tray of top drawer only
- Bottom drawer is 7" deep

●	PE
●	APC
●	APFC
●	FPEB
	MI
	OE
	CW
	RD
	CH
	IF
●	TWR
●	WR
●	XS
●	XSB
	GD
●	PTKV
●	RTK
●	RTKP
●	VTK
●	TKD



### Furniture Drawer 6" H

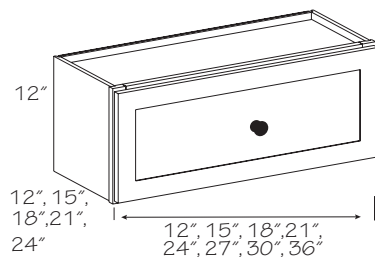
- 12" Deep**
- **FD121206**
  - FD151206**
  - FD181206**
  - FD211206**
  - FD241206**
  - FD271206**
  - FD301206.1**
  - FD301206.2**
  - FD361206**
- 15" Deep**
- **FD121506**
  - FD151506**
  - FD181506**
  - FD211506**
  - FD241506**
  - FD271506**
  - FD301506.1**
  - FD301506.2**
  - FD361506**
- 18" Deep**
- **FD121806**
  - FD151806**
  - FD181806**
  - FD211806**
  - FD241806**
  - FD271806**
  - FD301806.1**
  - FD301806.2**
  - FD361806**
- 21" Deep**
- **FD122106**
  - FD152106**
  - FD182106**
  - FD212106**
  - FD242106**
  - FD272106**
  - FD302106.1**
  - FD302106.2**
  - FD362106**
- 24" Deep**
- **FD122406**
  - FD152406**
  - FD182406**
  - FD212406**
  - FD242406**
  - FD272406**
  - FD302406.1**
  - FD302406.2**
  - FD362406**

○ (CW) option unavailable

Grey color coding indicates new product, size or code.

- Framed construction
- FD30\_1 has a single drawer, FD 30\_2 has two drawers

●	PE
●	APC
●	APFC
●	FPEB
	MI
	OE
☆	CW
	RD
	CH
	IF
	TWR
	WR
●	XS
	XSB
	GD
	PTKV
	RTK
	RTKP
	VTK
	TKD



### Furniture Drawer 12" H

- 12" Deep**
- **FD121212**
  - FD151212**
  - FD181212**
  - FD211212**
  - FD241212**
  - FD271212**
  - FD301212**
  - FD361212**
- 15" Deep**
- **FD121512**
  - FD151512**
  - FD181512**
  - FD211512**
  - FD241512**
  - FD271512**
  - FD301512**
  - FD361512**
- 18" Deep**
- **FD121812**
  - FD151812**
  - FD181812**
  - FD211812**
  - FD241812**
  - FD271812**
  - FD301812**
  - FD361812**
- 21" Deep**
- **FD122112**
  - FD152112**
  - FD182112**
  - FD212112**
  - FD242112**
  - FD272112**
  - FD302112**
  - FD362112**
- 24" Deep**
- **FD122412**
  - FD152412**
  - FD182412**
  - FD212412**
  - FD242412**
  - FD272412**
  - FD302412**
  - FD362412**

○ (CW) option unavailable

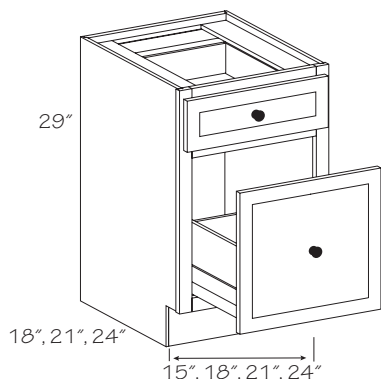
Grey color coding indicates new product, size or code.

- Framed construction

●	PE
●	APC
●	APFC
●	FPEB
	MI
	OE
☆	CW
	RD
	CH
	IF
	TWR
	WR
●	XS
	XSB
	GD
	PTKV
	RTK
	RTKP
	VTK
	TKD



## Desk File Drawer Cabinet



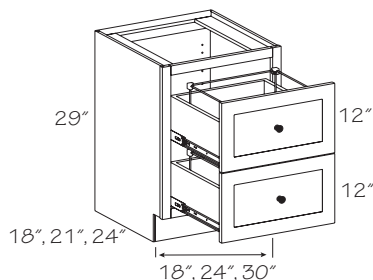
- 18" Deep  
 **DFD1518**  
**DFD1818**  
**DFD2118**  
**DFD2418**
- 21" Deep  
 **DFD15**  
**DFD18**  
**DFD21**  
**DFD24**
- (CW) option unavailable

- 24" Deep  
 **DFD1524**  
**DFD1824**  
**DFD2124**  
**DFD2424**

- One standard drawer, one deep drawer
  - Designed to accept a standard hanging file system; **not** included
  - 15", 21" and 24" wide DFDs are designed to be used as a lateral file
  - 18" deep cabinets unable to hold legal size folders when used as a lateral file
  - All DFD drawer fronts will match the door panel detail rather than the standard drawer front for that door style
  - Hanging file hardware and file folders are **not** included
- ☆ Min. (RD) is 18"

- PE
- APC
- APFC
- FPFB
- MI
- OE
- ☆ CW
- ☆ RD
- CH
- IF
- TWR
- WR
- XS
- XSB
- GD
- PTKV
- RTK
- RTKP
- VTK
- TKD

## Desk Double File Drawer



- 18" Deep  
**DDFD1818**  
**DDFD2418**  
**DDFD3018**
- 21" Deep  
**DDFD18**  
**DDFD24**  
**DDFD30**
- 24" Deep  
**DDFD1824**  
**DDFD2424**  
**DDFD3024**

- Two deep drawers with side-mount full-extension runners
- 24" wide DDFDs are designed to be used as a lateral file and can be adjusted to accept letter or legal file folders
- 18" and 30" wide DDFDs are designed to be used as a standard or lateral file and can be adjusted to accept letter or legal file folders
- 18" deep cabinets unable to hold legal size folders when used as a lateral file
- Hanging file hardware is included and attached to drawer box sides to support hanging file folders. Drawer box bottom unable to support any weight
- Hanging file folders **not** included

- PE
- APC
- APFC
- FPFB
- MI
- OE
- CW
- RD
- CH
- IF
- TWR
- WR
- XS
- XSB
- GD
- PTKV
- RTK
- RTKP
- VTK
- TKD

## Tall File Cabinet 24" Deep

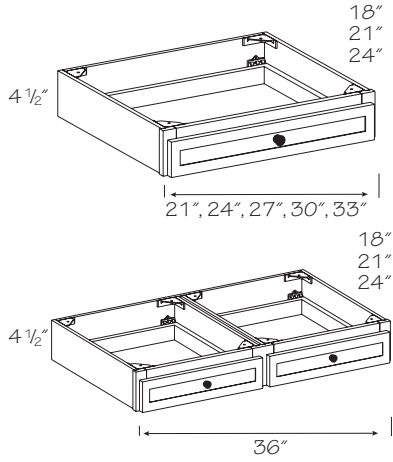
TFD182458



- Three file drawers
  - Designed to accept a standard hanging file system; **not** included
  - Hanging file folders **not** included
- ☆ Min. (RD) is 18"
- **Note:** This cabinet is constructed with a standard ceiling panel; a finished top is recommended

- PE
- APC
- APFC
- FPFB
- MI
- OE
- CW
- ☆ RD
- CH
- IF
- TWR
- WR
- XS
- XSB
- GD
- PTKV
- RTK
- RTKP
- VTK
- TKD

### Desk Knee Drawer Cabinet



- 18" Deep
    - DKD2118
    - DKD2418
    - DKD2718
    - DKD3018
    - DKD3318
    - ▲ DKD3618 .2D
  - 21" Deep
    - DKD21
    - DKD24
    - DKD27
    - DKD30
    - DKD33
    - ▲ DKD36 .2D
  - 24" Deep
    - DKD2124
    - DKD2424
    - DKD2724
    - DKD3024
    - DKD3324
    - ▲ DKD3624 .2D
- (CW) option unavailable  
 ▲ Two drawers side by side

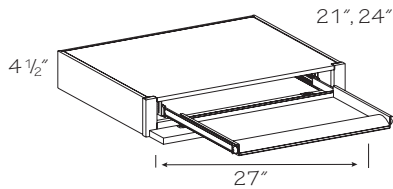
- Unit is designed for use between two base, desk or tall cabinets
- When mounted at 29" height with a 1 1/2" countertop, unit provides a comfortable writing surface
- One end of DKD can be supported by optional Desk End Panel
- Drawer will be slab, including DRPD, except for Ellery-Full, Ralden, Somersworth and Thornton-Full door styles which will be five-piece
- ☆ End panels are 1/2" plywood with Natural Birch vinyl interior and exterior
- Unable to be trimmed



Consider using a Cabinet Front Only (CFO) under a desk to cover up wires, outlets etc. This will decorate the area, plus give easy access to cords. Especially useful if you are placing a CPU in a cabinet next to your knee space.

☆	PE
●	APC
●	APFC
●	FPEB
	MI
	OE
☆	CW
●	RD
	CH
	IF
	TWR
	WR
●	XS
●	XSB
	GD
	PTKV
	RTK
	RTKP
	VTK
	TKD

### Computer Keyboard Drawer Cabinet

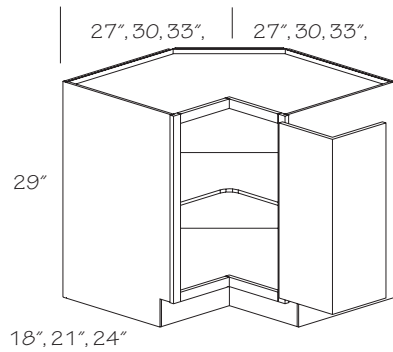


- 21" Deep
  - KBD27
- 24" Deep
  - KBD2724

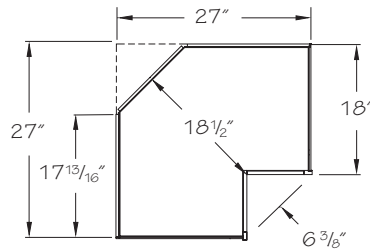
- Pull-out keyboard tray
- Tilt down drawer front
- Adjustable wrist rest
- Unit is designed for use between two base, desk or tall cabinets
- When mounted at 29" height with a 1 1/2" countertop, unit provides a comfortable writing surface
- If unit is installed at an angle, fillers should be used to avoid interference with adjacent cabinet
- One end of KBD can be supported by optional desk end panel DEP
- Slab drawer front in all door styles; DRPD unavailable
- Keyboard tray mechanism shipped separately
- Unable to be trimmed

●	PE
●	APC
●	APFC
●	FPEB
	MI
	OE
	CW
	RD
	CH
	IF
	TWR
	WR
●	XS
●	XSB
	GD
	PTKV
	RTK
	RTKP
	VTK
	TKD

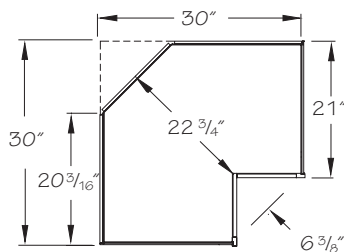
### Desk Easy Reach



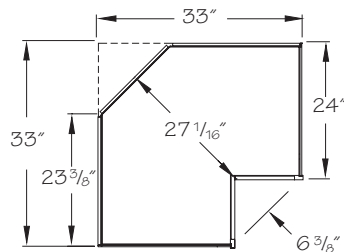
- DEZR2718 R or L
- DEZR3021 R or L
- DEZR3324 R or L



DEZR2718



DEZR3021

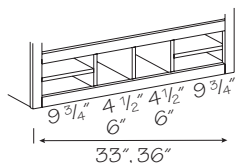
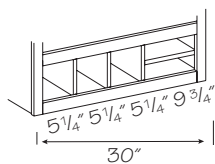
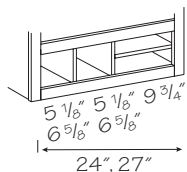
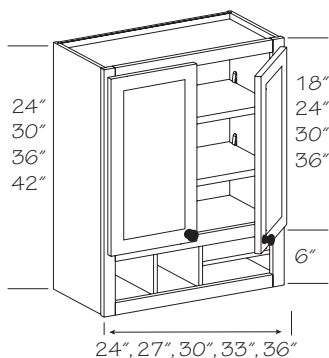


DEZR3324

- Specify R or L for single door hinging
- One adjustable shelf
- Doors are profiled on one long and two short edges and are connected with hinges
- Angled back provides clearance for installation
- Wood-Grain Foil door styles will be supplied as vertical grain slabs
- Veranda doors will have a solid, recessed flat panel. Castlewood doors will have a veneer, recessed flat panel
- Contrasting Back Options (CBEB, CPLB) unavailable
- **Note:** Unavailable with soft close feature

●	PE
●	APC
●	APFC
●	FPEB
●	MI
●	OE
	CW
	RD
●	CH
	IF
	TWR
●	WR
●	XS
●	XSB
	GD
	PTKV
●	RTK
	RTKP
●	VTK
	TKD

## Organizer Wall Cabinet



## No shelf

24" High

**OW2424 BUTT**  
**OW2724 (Butt)**

- ◆ **OW3024**
- ◆ **OW3324**
- ◆ **OW3624**

## One shelf

30" High

※ **OW2430 R or L**  
**OW2430 BUTT**  
**OW2730 (Butt)**

- ◆ **OW3030**
- ◆ **OW3330**
- ◆ **OW3630**

## Two shelves

36" High

※ **OW2436 R or L**  
**OW2436 BUTT**  
**OW2736 (Butt)**  
◆ **OW3036**  
◆ **OW3036 BUTT**  
◆ **OW3336**  
◆ **OW3636**  
◆ **OW3636 BUTT**

## Three shelves

42" High

※ **OW2442 R or L**  
**OW2442 BUTT**  
**OW2742 (Butt)**  
◆ **OW3042**  
◆ **OW3342**  
◆ **OW3642**

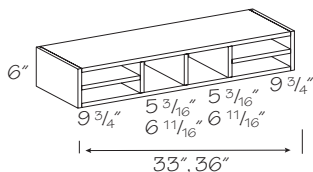
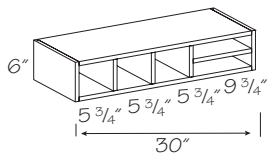
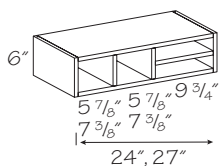
◆ 3" center stile

※ Single door-specify R or L

- Specify R or L for single door hinging
- Adjustable shelves
- Back Options (BEB and VGRB) unavailable
- Contrasting Back Options (CBEB, CPLB) unavailable
- ☆ Organizer section only is matching interior standard

●	PE
●	APC
●	APFC
●	FPEB
☆	MI
	OE
	CW
	RD
●	CH
	IF
	TWR
	WR
●	XS
	XSB
●	GD
	PTKV
	RTK
	RTKP
	VTK
	TKD

## Organizers



**O24**  
**O27**  
**O30**  
**O33**  
**O36**

- 5/8" wood veneer construction; unavailable in plywood
- Vinyl edge banding applied to edges of cabinet
- Crafted door styles will be supplied in plain sawn wood
- Quartersawn door styles are supplied plain sawn
- Contrasting Back Options (CBEB, CPLB) unavailable
- Painted or Stained hardwood supplied for Wood-Grain Foil door styles
- The staple/nail holes are visible on the ends of the organizer cabinets with fixed shelves; shelves are pin nailed from the outside of the cabinet
- **Note:** This cabinet features "frameless" type construction



When using an Organizer Cabinet or Spice Drawer Cabinet, which have flush ends standard, under a wall cabinet at the end of a run, either attach Furniture Ends or order a 3/16" Wood Skin for the wall cabinet to flush the ends. (There will be a seam.) Also, consider ordering a furniture matching wall end panel if the height of the finished product allows it

	PE
	APC
	APFC
	FPEB
◆	MI
	OE
	CW
	RD
	CH
	IF
	TWR
	WR
	XS
	XSB
	GD
	PTKV
	RTK
	RTKP
	VTK
	TKD

# Bookshelves

## Construction Options and Modifications

FW	18	48	12
code	width	height	depth

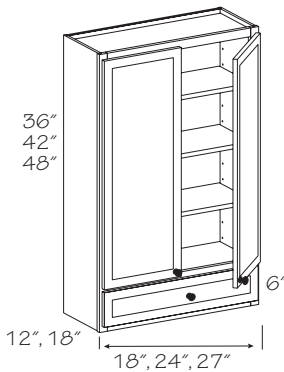
- ❖ Included as standard
- Available with an upcharge
- ☆ Available with exceptions
- (Blank) Unavailable

**Note:** Standard furniture cabinet box depth is 12", 18", 21" or 24", unless stated otherwise. Add door thickness and bumper for total depth. All Furniture Cabinets are manufactured in 3/4" Furniture Plywood Ends with matching wood veneer or printed wood grain laminate interiors. Due to toe kicks shipping separately on 96" high units, 96" furniture cabinets will be manufactured with 1/2" plywood end panels so the ends can be skinned to hide the seam. Skins are ordered separately.

Material dimensions listed may vary slightly from actual dimensions of the product. Specifications subject to change without notice.

- PE Plywood Ends
- APC All Plywood Construction
- APFC All Plywood Furniture Construction
- FPEB Furniture Plywood Ends
- MI Matching Interior
- DE Integrated Decorative End
- CW Change Width
- RD Reduced Depth
- CH Change Height
- WR Wide Bottom Rail
- XS Extended Stile
- XSB Extended Side Back
- GD Glass Doors
- PTKV Prepared for Toe Kick Vent
- RTK Recessed Toe Kick
- VTK Void Toe Kick
- TKD Toe Kick Drawer

### Furniture Wall



Single Door

48" High

**FW181248 R or L**  
**FW181848 R or L**

Double Door

36" High

**FW271236 (Butt)**  
**FW271836 (Butt)**

Double Door

42" High

**FW271242 (Butt)**  
**FW271842 (Butt)**

Double Door

48" High

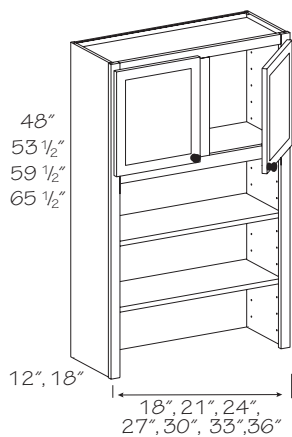
- **FW241248 BUTT**
- **FW271248 (Butt)**
- **FW241848 BUTT**
- **FW271848 (Butt)**

○ (CW) option unavailable

- Specify R or L for single door hinging
- Adjustable shelves
- 36" high has two shelves, 42" and 48" have three shelves
- Quartersawn Oak door styles have quartersawn wood veneer end panels
- Plain sawn material supplied for Crafted door styles
- ☆ (APFC) standard when (APC) option is selected
- ☆ Drawer becomes false front when cabinet depth is reduced to less than 12"
- Shelves shipped separately

PE
● APC
☆ APFC
❖ FPEB
❖ MI
DE
☆ CW
☆ RD
● CH
WR
● XS
XSB
● GD
PTKV
RTK
VTK
TKD

## Furniture Wall Top



## Two shelves

- 48" High  
12" Deep  
23 1/2"  **FWT181248 R or L**  
 **FWT211248 R or L**  
 **FWT241248 BUTT**  
 **FWT271248 (Butt)**  
 **FWT301248**  
 **FWT331248**  
 **FWT361248**

## Two shelves

- 48" High  
18" Deep  
 **FWT181848 R or L**  
 **FWT211848 R or L**  
 **FWT241848 BUTT**  
 **FWT271848 (Butt)**  
 **FWT301848**  
 **FWT331848**  
 **FWT361848**

## Two shelves

- 53 1/2" High  
12" Deep  
 **FWT181254 R or L**  
 **FWT211254 R or L**  
 **FWT241254 BUTT**  
 **FWT271254 (Butt)**  
 **FWT301254**  
 **FWT331254**  
 **FWT361254**

## Two shelves

- 53 1/2" High  
18" Deep  
 **FWT181854 R or L**  
 **FWT211854 R or L**  
 **FWT241854 BUTT**  
 **FWT271854 (Butt)**  
 **FWT301854**  
 **FWT331854**  
 **FWT361854**

(CW) option unavailable

(CH) option unavailable

## Three shelves

- 59 1/2" High  
12" Deep  
 **FWT181260 R or L**  
 **FWT211260 R or L**  
 **FWT241260 BUTT**  
 **FWT271260 (Butt)**  
 **FWT301260**  
 **FWT331260**  
 **FWT361260**

## Three shelves

- 59 1/2" High  
18" Deep  
 **FWT181860 R or L**  
 **FWT211860 R or L**  
 **FWT241860 BUTT**  
 **FWT271860 (Butt)**  
 **FWT301860**  
 **FWT331860**  
 **FWT361860**

## Three shelves

- 65 1/2" High  
12" Deep  
 **FWT181266 R or L**  
 **FWT211266 R or L**  
 **FWT241266 BUTT**  
 **FWT271266 (Butt)**  
 **FWT301266**  
 **FWT331266**  
 **FWT361266**

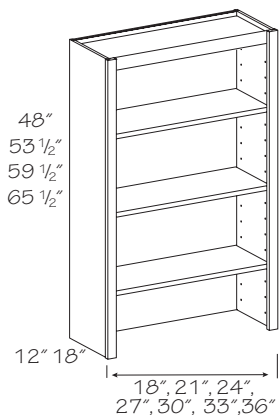
## Three shelves

- 65 1/2" High  
18" Deep  
 **FWT181866 R or L**  
 **FWT211866 R or L**  
 **FWT241866 BUTT**  
 **FWT271866 (Butt)**  
 **FWT301866**  
 **FWT331866**  
 **FWT361866**

- Specify R or L for single door hinging
- Adjustable shelves
- 65 1/2" high includes one adjustable shelf in upper section
- Quartersawn door styles are supplied plain sawn
- ☆ (APFC) standard when (APC) option is selected
- See Construction Options section for Valance options
- Shelves shipped separately

PE
● APC
☆ APFC
❖ FPFB
❖ MI
DE
☆ CW
● RD
☆ CH
WR
● XS
● XSB
● GD
PTKV
RTK
VTK
TKD

## Furniture Book Shelf - Top



## Three Shelves

- 48" High  
12" Deep  
 **FBS181248**  
 **FBS211248**  
 **FBS241248**  
 **FBS271248**  
 **FBS301248**  
 **FBS331248**  
 **FBS361248**

## Three Shelves

- 48" High  
18" Deep  
 **FBS181848**  
 **FBS211848**  
 **FBS241848**  
 **FBS271848**  
 **FBS301848**  
 **FBS331848**  
 **FBS361848**

## Three Shelves

- 53 1/2" High  
12" Deep  
 **FBS181254**  
 **FBS211254**  
 **FBS241254**  
 **FBS271254**  
 **FBS301254**  
 **FBS331254**  
 **FBS361254**

(CW) option unavailable

## Three Shelves

- 53 1/2" High  
18" Deep  
 **FBS181854**  
 **FBS211854**  
 **FBS241854**  
 **FBS271854**  
 **FBS301854**  
 **FBS331854**  
 **FBS361854**

## Four Shelves

- 59 1/2" High  
12" Deep  
 **FBS181260**  
 **FBS211260**  
 **FBS241260**  
 **FBS271260**  
 **FBS301260**  
 **FBS331260**  
 **FBS361260**

## Four Shelves

- 59 1/2" High  
18" Deep  
 **FBS181860**  
 **FBS211860**  
 **FBS241860**  
 **FBS271860**  
 **FBS301860**  
 **FBS331860**  
 **FBS361860**

## Four Shelves

- 65 1/2" High  
12" Deep  
 **FBS181266**  
 **FBS211266**  
 **FBS241266**  
 **FBS271266**  
 **FBS301266**  
 **FBS331266**  
 **FBS361266**

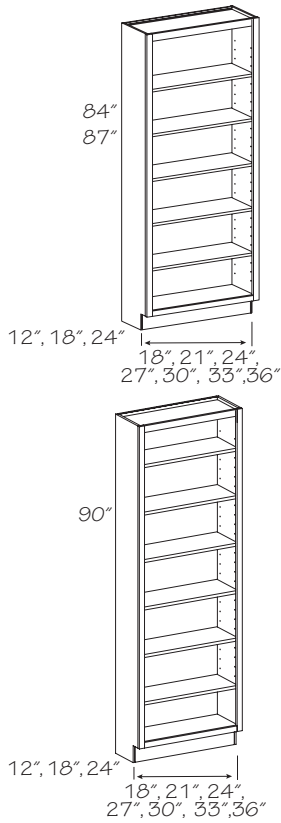
## Four Shelves

- 65 1/2" High  
18" Deep  
 **FBS181866**  
 **FBS211866**  
 **FBS241866**  
 **FBS271866**  
 **FBS301866**  
 **FBS331866**  
 **FBS361866**

- Adjustable shelves
- Quartersawn door styles are supplied plain sawn
- Painted hardwood supplied for EverCore®
- Painted or Stained hardwood supplied for Wood-Grain Foil door styles
- ☆ (APFC) standard when (APC) option is selected
- See Construction Options section for Valance options
- Shelves shipped separately

PE
● APC
☆ APFC
❖ FPFB
❖ MI
● DE
☆ CW
● RD
● CH
WR
● XS
XSB
GD
PTKV
RTK
VTK
TKD

## Furniture Book Shelf - 84", 87" and 90" H



Five shelves  
84" High  
12" Deep  
+○ **FBS181284**  
+ **FBS211284**  
+ **FBS241284**  
+ **FBS271284**  
+ **FBS301284**  
+ **FBS331284**  
+ **FBS361284**

Five shelves  
84" High  
18" Deep  
○ **FBS181884**  
**FBS211884**  
**FBS241884**  
**FBS271884**  
**FBS301884**  
**FBS331884**  
**FBS361884**

Five shelves  
84" High  
24" Deep  
○ **FBS182484**  
**FBS212484**  
**FBS242484**  
**FBS272484**  
**FBS302484**  
**FBS332484**  
**FBS362484**

Five shelves  
87" High  
12" Deep  
+○ **FBS181287**  
+ **FBS211287**  
+ **FBS241287**  
+ **FBS271287**  
+ **FBS301287**  
+ **FBS331287**  
+ **FBS361287**

Five shelves  
87" High  
18" Deep  
○ **FBS181887**  
**FBS211887**  
**FBS241887**  
**FBS271887**  
**FBS301887**  
**FBS331887**  
**FBS361887**

Five shelves  
87" High  
24" Deep  
○ **FBS182487**  
**FBS212487**  
**FBS242487**  
**FBS272487**  
**FBS302487**  
**FBS332487**  
**FBS362487**

Six Shelves  
90" High  
12" Deep  
+○ **FBS181290**  
+ **FBS211290**  
+ **FBS241290**  
+ **FBS271290**  
+ **FBS301290**  
+ **FBS331290**  
+ **FBS361290**

Six Shelves  
90" High  
18" Deep  
○ **FBS181890**  
**FBS211890**  
**FBS241890**  
**FBS271890**  
**FBS301890**  
**FBS331890**  
**FBS361890**

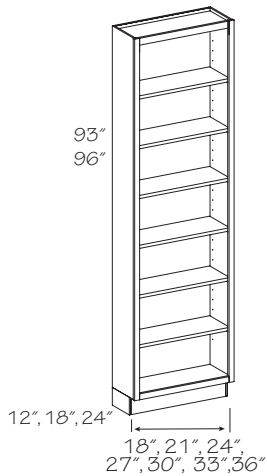
Six Shelves  
90" High  
24" Deep  
○ **FBS182490**  
**FBS212490**  
**FBS242490**  
**FBS272490**  
**FBS302490**  
**FBS332490**  
**FBS362490**

○ (CW) option unavailable  
+ (TKD) option is unavailable

- Adjustable shelves
- Painted hardwood supplied for EverCore®
- Painted or Stained hardwood supplied for Wood-Grain Foil door styles
- Quartersawn door styles are supplied plain sawn
- ☆ (APFC) standard when (APC) option is selected
- See Construction Options section for Valance options
- Shelves shipped separately

PE
● APC
☆ APFC
◆ FPFB
◆ MI
● DE
☆ CW
● RD
● CH
● WR
● XS
XSB
GD
● PTKV
● RTK
● VTK
☆ TKD

## Furniture Book Shelf - 93" and 96" H



93" High  
12" Deep  
○ **FBS181293**  
**FBS211293**  
**FBS241293**  
**FBS271293**  
**FBS301293**  
**FBS331293**  
**FBS361293**

93" High  
18" Deep  
○ **FBS181893**  
**FBS211893**  
**FBS241893**  
**FBS271893**  
**FBS301893**  
**FBS331893**  
**FBS361893**

93" High  
24" Deep  
○ **FBS182493**  
**FBS212493**  
**FBS242493**  
**FBS272493**  
**FBS302493**  
**FBS332493**  
**FBS362493**

96" High  
12" Deep  
○ **FBS181296**  
**FBS211296**  
**FBS241296**  
**FBS271296**  
**FBS301296**  
**FBS331296**  
**FBS361296**

96" High  
18" Deep  
○ **FBS181896**  
**FBS211896**  
**FBS241896**  
**FBS271896**  
**FBS301896**  
**FBS331896**  
**FBS361896**

96" High  
24" Deep  
○ **FBS182496**  
**FBS212496**  
**FBS242496**  
**FBS272496**  
**FBS302496**  
**FBS332496**  
**FBS362496**

○ (CW) option unavailable

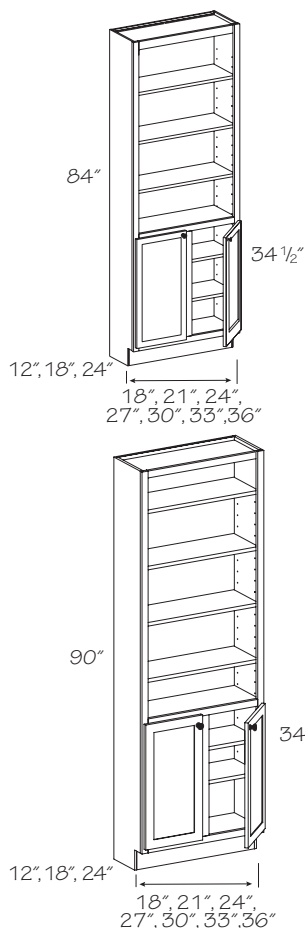
- 1/2" plywood ends with matching interiors
- Includes six adjustable shelves
- Quartersawn door styles are supplied plain sawn
- Painted hardwood supplied for EverCore®
- Painted or Stained hardwood supplied for Wood-Grain Foil door styles
- See Construction Options section for Valance options
- Shelves shipped separately
- Toe kick shipped unattached



Remember to order a 3/16" skin (WSK) for the exposed ends of 93" & 96" high furniture cabinets to conceal the seam between the loose toe kick and the cabinet.

◆ PE
● APC
APFC
FPFB
◆ MI
● DE
☆ CW
● RD
● CH
WR
● XS
XSB
GD
PTKV
RTK
VTK
TKD

## Furniture Base 84" and 90" H



- 84" High  
12" Deep
- ⊕ **FB181284 R or L**
  - ⊕ **FB211284 R or L**
  - ⊕ **FB241284 R or L**
  - ⊕ **FB241284 BUTT**
  - ⊕ **FB271284 (Butt)**
  - ⊕ **FB301284**
  - ⊕ **FB331284**
  - ⊕ **FB361284**

- 84" High  
18" Deep
- **FB181884 R or L**
  - **FB211884 R or L**
  - **FB241884 R or L**
  - **FB241884 BUTT**
  - **FB271884 (Butt)**
  - **FB301884**
  - **FB331884**
  - **FB361884**

- 84" High  
24" Deep
- **FB182484 R or L**
  - **FB212484 R or L**
  - **FB242484 R or L**
  - **FB242484 BUTT**
  - **FB272484 (Butt)**
  - **FB302484**
  - **FB332484**
  - **FB362484**

- 90" High  
12" Deep
- ⊕ **FB181290 R or L**
  - ⊕ **FB211290 R or L**
  - ⊕ **FB241290 R or L**
  - ⊕ **FB241290 BUTT**
  - ⊕ **FB271290 (Butt)**
  - ⊕ **FB301290**
  - ⊕ **FB331290**
  - ⊕ **FB361290**

- 90" High  
18" Deep
- **FB181890 R or L**
  - **FB211890 R or L**
  - **FB241890 R or L**
  - **FB241890 BUTT**
  - **FB271890 (Butt)**
  - **FB301890**
  - **FB331890**
  - **FB361890**

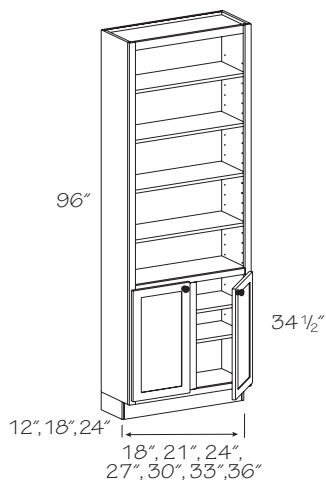
- 90" High  
24" Deep
- **FB182490 R or L**
  - **FB212490 R or L**
  - **FB242490 R or L**
  - **FB242490 BUTT**
  - **FB272490 (Butt)**
  - **FB302490**
  - **FB332490**
  - **FB362490**

- (CW) option unavailable
- ⊕ (TKD) option is unavailable

- Specify R or L for single door hinging
- Includes adjustable shelves in open section; three shelves in 84" H and four shelves in 90" H cabinets
- Two adjustable shelves in lower base section
- Quartersawn door styles are supplied plain sawn
- See Construction Options section for Valance options
- ☆ (APFC) standard when (APC) option is selected
- Shelves shipped separately

PE
● APC
☆ APFC
❖ FPFB
❖ MI
DE
☆ CW
● RD
● CH
● WR
● XS
XSB
● GD
● PTKV
● RTK
● VTK
☆ TKD

## Furniture Base 96" H



- 12" Deep
- **FB181296 R or L**
  - **FB211296 R or L**
  - **FB241296 R or L**
  - **FB241296 BUTT**
  - **FB271296 (Butt)**
  - **FB301296**
  - **FB331296**
  - **FB361296**

- 18" Deep
- **FB181896 R or L**
  - **FB211896 R or L**
  - **FB241896 R or L**
  - **FB241896 BUTT**
  - **FB271896 (Butt)**
  - **FB301896**
  - **FB331896**
  - **FB361896**

- (CW) option unavailable

- 24" Deep
- **FB182496 R or L**
  - **FB212496 R or L**
  - **FB242496 R or L**
  - **FB242496 BUTT**
  - **FB272496 (Butt)**
  - **FB302496**
  - **FB332496**
  - **FB362496**

- Specify R or L for single door hinging
- 1/2" plywood ends with matching interiors
- Includes four adjustable shelves in open section
- Two adjustable shelves in lower base section
- Quartersawn door styles are supplied plain sawn
- See Construction Options section for Valance options
- Shelves shipped separately
- Toe kick shipped unattached



Remember to order a 3/16" skin (WSK) for the exposed ends of 93" & 96" high furniture cabinets to conceal the seam between the loose toe kick and the cabinet.

PE
● APC
☆ APFC
❖ FPFB
❖ MI
DE
☆ CW
● RD
● CH
● WR
● XS
XSB
● GD
● PTKV
● RTK
● VTK
☆ TKD

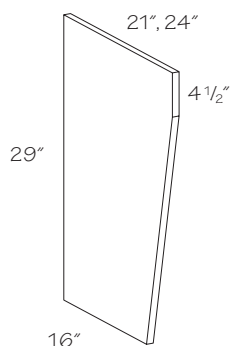
# Furniture Panels & Shelves

## Construction Options and Modifications

- ❖ Included as standard
- Available with an upcharge
- ☆ Available with exceptions
- (Blank) Unavailable

- PE Plywood Ends
- APC All Plywood Construction
- APFC All Plywood Furniture Construction
- CW Change Width
- RD Reduced Depth
- CH Change Height
- WR Wide Bottom Rail

Material dimensions listed may vary slightly from actual dimensions of the product. Specifications subject to change without notice.



### Desk End Panel

Vinyl

**VDEP2129**  
**VDEP2429**

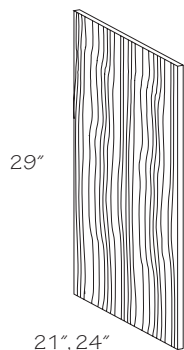
Wood Veneer

※ **WDEP2129**  
※ **WDEP2429**

※ Painted hardwood supplied for EverCore® and Thermofoil

- Vinyl panel is 3/4" thick
- Wood veneer panel is 13/16" thick
- Unit designed to support one end of Desk Knee Drawer
- Finished front and both sides
- Painted or Stained hardwood supplied for Wood-Grain Foil door styles
- Quartersawn door styles are supplied plain sawn
- ☆ APC panel only available in wood veneer
- ☆ APC panel is 11/16" thick

PE
☆ APC
APFC
CW
RD
CH
WR



### Square Desk End Panel

Vinyl

■ **VDEP21 .S**  
■ **VDEP24 .S**

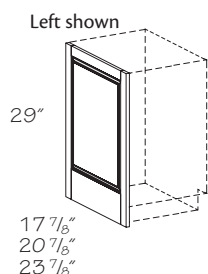
Wood Veneer

※ **WDEP21 .S** 21 x 29 x 13/16"  
※ **WDEP24 .S** 24 x 29 x 13/16"

■ Quartersawn door styles are supplied plain sawn  
※ Painted hardwood supplied for EverCore® and Thermofoil

- Edgebanded one long edge
- Finished to match exterior both sides
- Painted or Stained hardwood supplied for Wood-Grain Foil door styles
- ☆ APC panel only available in wood veneer
- ☆ APC panel is 11/16" thick

PE
☆ APC
APFC
CW
RD
CH
WR

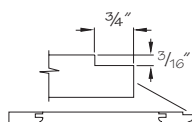


### Matching Desk End Panel

**MDEP18 R or L**  
**MDEP21 R or L**  
**MDEP24 R or L**

- Specify R or L
- 3/4" thick panel with matching door edge profile on front edge only
- Inside of matching panel bottom rail will line up with inside bottom rail of door
- Foil and slab door styles do **not** have grooves and will **not** fit flush against 1/2" end panel. A 3/16" shim is recommended
- Quartersawn door styles are supplied plain sawn
- Unavailable in mitered or Coleburne door styles; use End Panel-Mitered
- Unavailable in High-Gloss Foil door styles
- ☆ Field notch Wide Bottom Rail for toe kick
- Field install

PE
APC
APFC
● CW
RD
● CH
☆ WR



Standard edge detail—fits flush against 1/2" end panel and behind face frame

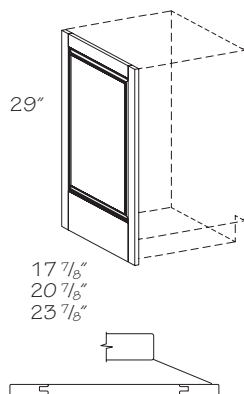


When designing with Matching End Panels the reveal will differ from the cabinet door height reveal. Matching End Panels cover the entire side of the cabinet. See drawing for exact measurements



## Matching Desk End Panel - Square Edges

**MDEP18 S**  
**MDEP21 S**  
**MDEP24 S**

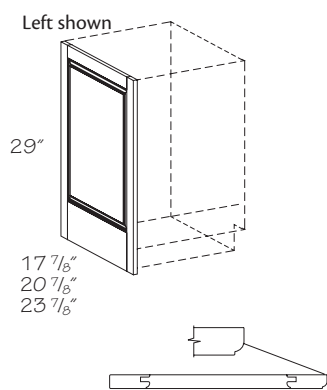


- 3/4" thick panel with square edge front and back
- Inside of matching panel bottom rail will line up with inside bottom rail of door
- Reversible, may be used on either right or left end
- Unavailable in High-Gloss Foil, Thermofoil or Wood-Grain Foil door styles
- Unavailable in mitered door styles; use End Panel-Mitered
- Quartersawn door styles are supplied plain sawn
- ☆ Field notch Wide Bottom Rail for toe kick
- Field install

PE
APC
APFC
● CW
● RD
● CH
☆ WR

## Furniture Matching Desk End Panel

**FMDEP18 R or L**  
**FMDEP21 R or L**  
**FMDEP24 R or L**



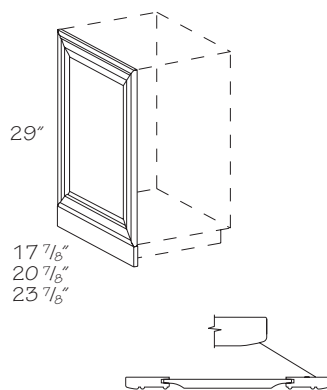
Will not fit flush against 1/2" end panel,  
 a 3/16" shim is recommended

- Specify R or L
- 3/4" thick panel with matching door edge profile on front edge only
- Inside of matching panel bottom rail will line up with inside bottom rail of door
- For use with Furniture Plywood Ends-flush ends
- Unavailable in mitered door styles; use End Panel-Mitered
- Unavailable in High-Gloss Foil or Wood-Grain Foil door styles
- Quartersawn door styles are supplied plain sawn
- ☆ Field notch Wide Bottom Rail for toe kick
- Field install

PE
APC
APFC
● CW
● RD
● CH
☆ WR

## Matching Desk End Panel - Mitered

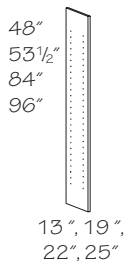
**M.MDEP18**  
**M.MDEP21**  
**M.MDEP24**



Will not fit flush against 1/2" end panel,  
 a 3/16" shim is recommended

- 3/4" thick panel with matching door edge profile on four sides
- Inside of matching panel bottom rail will line up with inside bottom rail of door
- Reversible, may be used on either right or left end
- Available in mitered and Coleburne door styles only
- Toe kick shipped unattached
- ☆ Field notch Wide Bottom Rail for toe kick
- Field install

PE
APC
APFC
● CW
● RD
● CH
☆ WR

**Wood Veneer**

48" High  
**WFEP1348**  
**WFEP1948**  
**WFEP2248**  
**WFEP2548**

**Wood Veneer**

53 1/2" High  
**WFEP1354**  
**WFEP1954**  
**WFEP2254**  
**WFEP2554**

**Wood Veneer**

84" High  
**WFEP1384**  
**WFEP1984**  
**WFEP2284**  
**WFEP2584**

**Wood Veneer**

96" High  
**WFEP1396**  
**WFEP1996**  
**WFEP2296**  
**WFEP2596**

**Furniture End Panels****Center Drilled Wood Veneer**

48" High  
**WFEP1348 .CE**  
**WFEP1948 .CE**  
**WFEP2248 .CE**  
**WFEP2548 .CE**

**Center Drilled Wood Veneer**

53 1/2" High  
**WFEP1354 .CE**  
**WFEP1954 .CE**  
**WFEP2254 .CE**  
**WFEP2554 .CE**

**Center Drilled Wood Veneer**

84" High  
**WFEP1384 .CE**  
**WFEP1984 .CE**  
**WFEP2284 .CE**  
**WFEP2584 .CE**

**Center Drilled Wood Veneer**

96" High  
**WFEP1396 .CE**  
**WFEP1996 .CE**  
**WFEP2296 .CE**  
**WFEP2596 .CE**

**Peninsula**

**Wood Veneer**  
 48" High  
**WPFP1348**  
**WPFP1948**  
**WPFP2248**  
**WPFP2548**

**Peninsula**

**Wood Veneer**  
 53 1/2" High  
**WPFP1354**  
**WPFP1954**  
**WPFP2254**  
**WPFP2554**

**Peninsula**

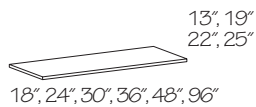
**Wood Veneer**  
 84" High  
**WPFP1384**  
**WPFP1984**  
**WPFP2284**  
**WPFP2584**

**Peninsula**

**Wood Veneer**  
 96" High  
**WPFP1396**  
**WPFP1996**  
**WPFP2296**  
**WPFP2596**

- Matching 13/16" wood veneer both sides with shelf hole drilling on one side; both sides for center drilled shelves
- Edgebanded one long edge; two long edges on Peninsula shelves
- ☆ APC panel is 11/16" thick
- Satin chrome furniture shelf rests available; see Hardware Section
- Quartersawn Oak door styles are matching 13/16" quartersawn wood veneer
- Plain sawn material supplied for Crafted door styles
- Wood Veneer Panels will have painted or stained hardwood supplied for Wood-Grain Foil door styles
- Painted hardwood supplied for EverCore® and Thermofoil

PE
☆ APC
APFC
CW
RD
CH
WR

**Wood Veneer**

18" Wide  
**WFP1318**  
**WFP1918**  
**WFP2218**  
**WFP2518**

**Wood Veneer**

24" Wide  
**WFP1324**  
**WFP1924**  
**WFP2224**  
**WFP2524**

**Wood Veneer**

30" Wide  
**WFP1330**  
**WFP1930**  
**WFP2230**  
**WFP2530**

**Wood Veneer**

36" Wide  
**WFP1336**  
**WFP1936**  
**WFP2236**  
**WFP2536**

**Wood Veneer**

48" Wide  
**WFP1348**  
**WFP1948**  
**WFP2248**  
**WFP2548**

**Wood Veneer**

96" Wide  
**WFP1396**  
**WFP1996**  
**WFP2296**  
**WFP2596**

**Peninsula Wood Veneer**

18" Wide  
**WPFP1318**  
**WPFP1918**  
**WPFP2218**  
**WPFP2518**

**Peninsula Wood Veneer**

24" Wide  
**WPFP1324**  
**WPFP1924**  
**WPFP2224**  
**WPFP2524**

**Peninsula Wood Veneer**

30" Wide  
**WPFP1330**  
**WPFP1930**  
**WPFP2230**  
**WPFP2530**

**Peninsula Wood Veneer**

36" Wide  
**WPFP1336**  
**WPFP1936**  
**WPFP2236**  
**WPFP2536**

**Peninsula Wood Veneer**

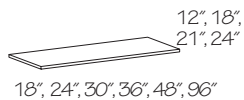
48" Wide  
**WPFP1348**  
**WPFP1948**  
**WPFP2248**  
**WPFP2548**

**Peninsula Wood Veneer**

96" Wide  
**WPFP1396**  
**WPFP1996**  
**WPFP2296**  
**WPFP2596**

- Matching 13/16" wood veneer
- Quartersawn Oak door styles are matching 13/16" quartersawn wood veneer
- Edgebanded one long and two short edges; all edges for Peninsula shelves
- ☆ APC panel only available in wood veneer
- ☆ APC panel is 11/16" thick
- Wood Veneer Panels will have painted or stained hardwood supplied for Wood-Grain Foil door styles
- ※ Painted hardwood supplied for EverCore® and Thermofoil

PE
☆ APC
APFC
CW
RD
CH
WR

**Wood Veneer**

18" Wide  
**WFS1218**  
**WFS1818**  
**WFS2118**  
**WFS2418**

**Wood Veneer**

24" Wide  
**WFS1224**  
**WFS1824**  
**WFS2124**  
**WFS2424**

**Wood Veneer**

30" Wide  
**WFS1230**  
**WFS1830**  
**WFS2130**  
**WFS2430**

**Furniture Shelves****Wood Veneer**

36" Wide  
**WFS1236**  
**WFS1836**  
**WFS2136**  
**WFS2436**

**Wood Veneer**

48" Wide  
**WFS1248**  
**WFS1848**  
**WFS2148**  
**WFS2448**

**Wood Veneer**

96" Wide  
**WFS1296**  
**WFS1896**  
**WFS2196**  
**WFS2496**

**Peninsula Wood Veneer**

18" Wide  
**WPFS1218**  
**WPFS1818**  
**WPFS2118**  
**WPFS2418**

**Peninsula Wood Veneer**

24" Wide  
**WPFS1224**  
**WPFS1824**  
**WPFS2124**  
**WPFS2424**

**Peninsula Wood Veneer**

30" Wide  
**WPFS1230**  
**WPFS1830**  
**WPFS2130**  
**WPFS2430**

**Peninsula Wood Veneer**

36" Wide  
**WPFS1236**  
**WPFS1836**  
**WPFS2136**  
**WPFS2436**

**Peninsula Wood Veneer**

48" Wide  
**WPFS1248**  
**WPFS1848**  
**WPFS2148**  
**WPFS2448**

**Peninsula Wood Veneer**

96" Wide  
**WPFS1296**  
**WPFS1896**  
**WPFS2196**  
**WPFS2496**

- Two sided matching material
- Edgebanded one long and two short edges; all edges for Peninsula shelves
- 13/16" wood veneer construction
- ☆ APC panel is 11/16" thick
- Quartersawn Oak door styles are matching 13/16" quartersawn wood veneer
- Plain sawn material supplied for Crafted door styles
- Wood Veneer shelves will have painted or stained hardwood supplied for High-Gloss Foil and Wood-Grain Foil door styles
- Painted hardwood supplied for EverCore® and Thermofoil

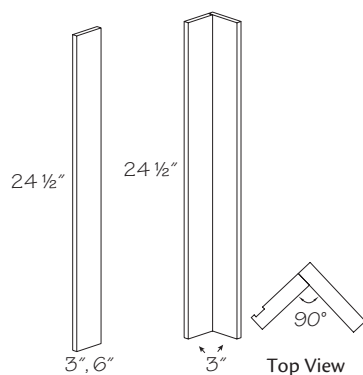
PE
☆ APC
APFC
CW
RD
CH
WR

# Furniture Fillers

Material dimensions listed may vary slightly from actual dimensions of the product. Specifications subject to change without notice.

## Desk Filler

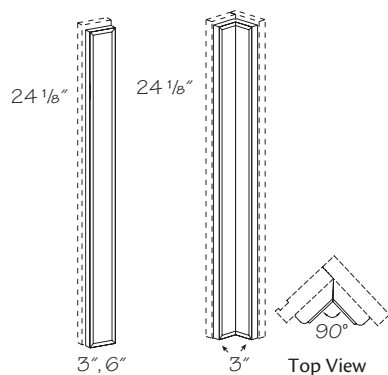
**DF3**  
**DF6**  
**DF3X3**



- 3/4" thick solid wood
- Finished one side only
- Crafted door styles will be supplied in plain sawn wood
- Quartersawn door styles are supplied plain sawn
- No toe kick
- Painted hardwood supplied for EverCore® and Thermofoil
- Painted or Stained hardwood supplied for Wood-Grain Foil door styles

## Desk Filler Overlay

**DFOL3**  
**DFOL6**  
**▲ DFOL3X3**



- ▲ Shipped as two pieces in Thermofoil and Wood-Grain Foil door styles; field trim and miter

- Available in full overlay door styles only
- Available in High-Gloss Foils finish except in 3X3 models
- Filler overlay has routed door profile and is made from the same material as doors and drawer fronts
- Filler ordered separately
- Consider using Custom Filler Overlay option in applications that require (CW)

## Custom Filler Overlay

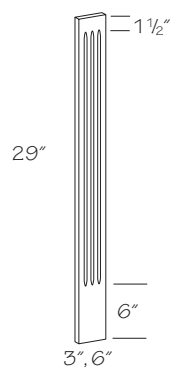
**CFOL**



- Slab design only

### Matching Outside Profile

Min. Width	Max. Width	Min. Height	Max. Height
2 5/8"	8"	6"	96"



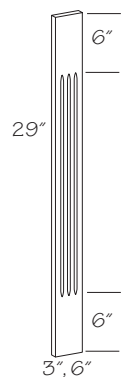
### Desk Fluted Filler

**DFF3**  
**DFF6**

- 3/4" thick solid wood
- Painted hardwood supplied for EverCore® and Thermofoil
- Painted or Stained hardwood supplied for Wood-Grain Foil door styles
- Quartersawn door styles are supplied plain sawn

### Plain Capital Desk Fluted Filler

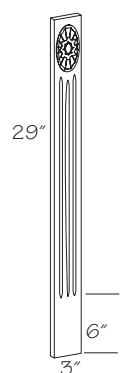
**PCDFF3**  
**PCDFF6**



- 3/4" thick solid wood
- Painted hardwood supplied for EverCore® and Thermofoil
- Painted or Stained hardwood supplied for Wood-Grain Foil door styles
- Quartersawn door styles are supplied plain sawn

### Rosette Desk Fluted Filler

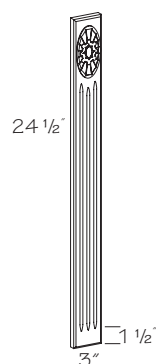
**RDFF3**



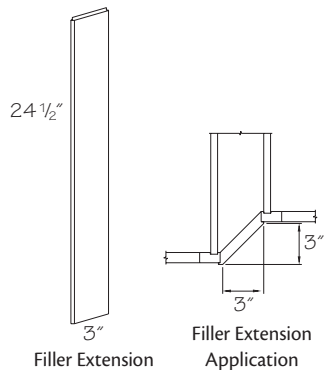
- 3/4" thick solid wood
- Applied decorative rosette
- Quartersawn door styles are supplied plain sawn
- Unavailable in Rustic Alder door styles
- Unavailable in Wood-Grain Foil door styles
- Painted hardwood supplied for EverCore® and Thermofoil

### Rosette Desk Fluted Filler Overlay

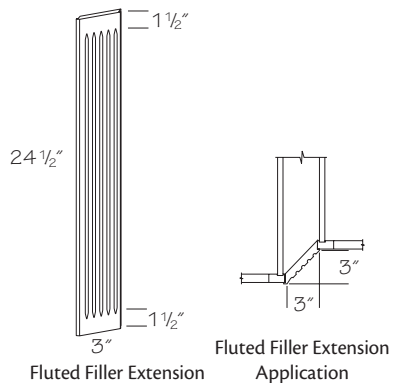
**RFDFOL3**



- 3/4" thick solid wood
- Applied decorative rosette
- Quartersawn door styles are supplied plain sawn
- Unavailable in Rustic Alder door styles
- Unavailable in Wood-Grain Foil door styles
- Painted hardwood supplied for EverCore® and Thermofoil

**Filler Extension****FE3.25**

- 3/4" thick solid wood
- Crafted door styles will be supplied in plain sawn wood
- Quartersawn door styles are supplied plain sawn
- Painted hardwood supplied for EverCore® and Thermofoil
- Painted or Stained hardwood supplied for Wood-Grain Foil door styles

**Fluted Filler Extension****FFE3.25**

- 3/4" thick solid wood
- Painted hardwood supplied for EverCore® and Thermofoil
- Painted or Stained hardwood supplied for Wood-Grain Foil door styles
- Quartersawn door styles are supplied plain sawn

# Furniture Decorative Accents

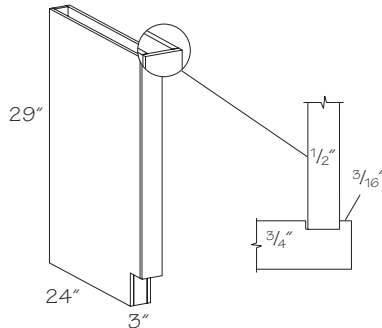
## Construction Options and Modifications

- ❖ Included as standard
- Available with an upcharge
- ☆ Available with exceptions
- (Blank) Unavailable

- PE Plywood Ends
- APC All Plywood Construction
- APFC All Plywood Furniture Construction
- FPEB Furniture Plywood Ends
- CW Change Width
- RD Reduced Depth
- CH Change Height
- WR Wide Bottom Rail
- RTK Recessed Toe Kick
- RTKP Recessed Toe Kick Peninsula
- VTK Void Toe Kick

Material dimensions listed may vary slightly from actual dimensions of the product. Specifications subject to change without notice.

### Desk Box DB3

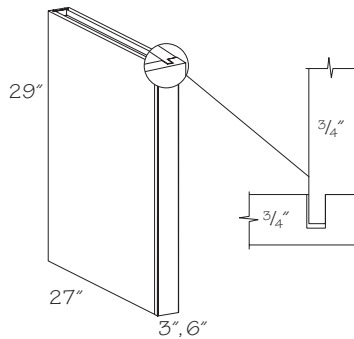


- Finished front and both sides
- Crafted door styles will be supplied in plain sawn wood
- Quartersawn door styles are supplied plain sawn
- Painted hardwood supplied for EverCore®
- Painted or Stained hardwood supplied for Wood-Grain Foil door styles
- Reversible, may be used on either right or left end
- ☆ Only available with (RTKP); unable to accommodate (RTKPB, RTKPL, RTKPR)

- PE
- APC
- APFC
- FPEB
- CW
- RD
- CH
- WR
- RTK
- ☆ RTKP
- VTK

### Desk Column

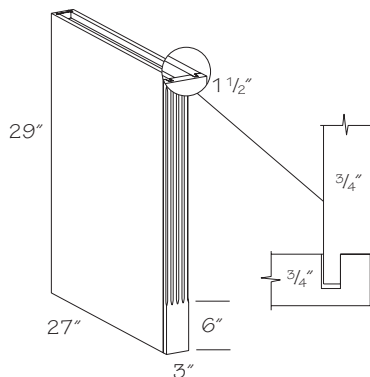
- DC327
- DC627
- (CW) option unavailable



- Front is 3/4" solid wood
- Quartersawn Oak door styles have 3/4" solid quartersawn wood front and quartersawn wood veneer end panels
- Plain sawn material supplied for Crafted door styles
- Painted hardwood supplied for EverCore®
- Foil-wrapped MDF supplied for Wood-Grain Foil door styles on face frame only
- Finished front and both sides
- Reversible, may be used on either right or left end
- ☆ (APFC) standard when (APC) option is selected

- PE
- APC
- ☆ APFC
- ❖ FPEB
- ☆ CW
- RD
- CH
- ❖ WR
- RTK
- RTKP
- VTK

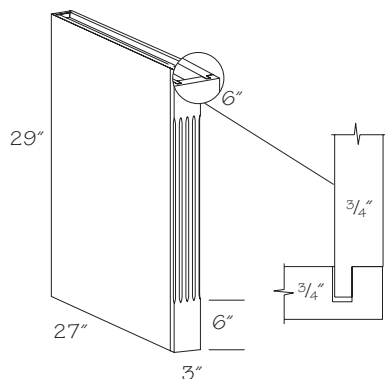
### Desk Fluted Column DFC327



- Fluted front is 3/4" solid wood; plain sawn wood supplied for quartersawn door styles
- Finished front and both sides
- Quartersawn Oak door styles have quartersawn wood veneer end panels
- Plain sawn material supplied for Crafted door styles
- Reversible, may be used on either right or left end
- Painted hardwood supplied for EverCore®
- Painted or Stained hardwood supplied for Wood-Grain Foil door styles
- ☆ (APFC) standard when (APC) option is selected

- PE
- APC
- ☆ APFC
- ❖ FPEB
- CW
- RD
- CH
- ❖ WR
- RTK
- RTKP
- VTK

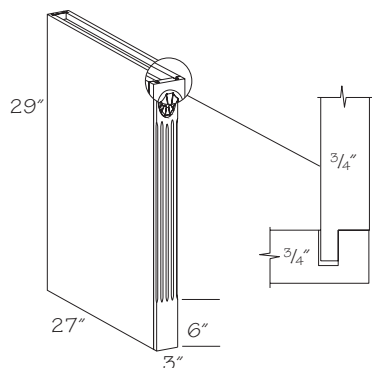
### Plain Capital Desk Fluted Column PCDFC327



- Fluted front is 3/4" solid wood; plain sawn wood supplied for quartersawn door styles
  - Finished front and both sides
  - Quartersawn Oak door styles have quartersawn wood veneer end panels
  - Plain sawn material supplied for Crafted door styles
  - Painted hardwood supplied for EverCore®
  - Painted or Stained hardwood supplied for Wood-Grain Foil door styles
  - Reversible, may be used on either right or left end
- ☆ (APFC) standard when (APC) option is selected

PE
● APC
☆ APFC
❖ FPEB
CW
● RD
CH
❖ WR
RTK
RTKP
VTK

### Rosette Desk Fluted Column RDFC327



- Fluted front is 3/4" solid wood; plain sawn wood supplied for quartersawn door styles
  - Applied decorative rosette
  - Quartersawn Oak door styles have quartersawn wood veneer end panels
  - Plain sawn material supplied for Crafted door styles
  - Finished front and both sides
  - Reversible, may be used on either right or left end
  - Painted hardwood supplied for EverCore® and Thermofoil
  - Unavailable in Rustic Alder door styles
  - Unavailable in Wood-Grain Foil door styles
- ☆ (APFC) standard when (APC) option is selected

PE
● APC
☆ APFC
❖ FPEB
CW
● RD
CH
❖ WR
RTK
RTKP
VTK

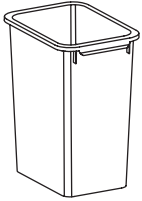
# Furniture Accessories

<b>WFEP</b>	<b>96</b>	<b>13</b>
code	height	depth

**Note:** Unless noted, all furniture cabinets are manufactured in furniture plywood ends with matching wood or vinyl interiors.

Material dimensions listed may vary slightly from actual dimensions of the product. Specifications subject to change without notice.

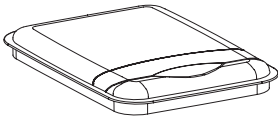
## Replacement Wastebasket



**RCWB35** 35 qt.  
**RCWB50** 50 qt.

- Grey basket(s)
- Optional Wastebasket Lid available for 35 and 50 qt. wastebaskets

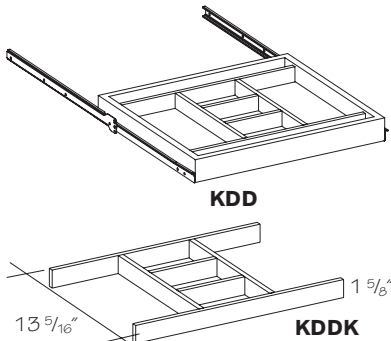
## Wastebasket Lid



Fits 35 qt.  
Wastebasket  
**WBL35.G** Grey  
Fits 50 qt.  
Wastebasket  
**WBL50.G** Grey

- Lid flips open manually
- Lid holds can liner in place

## Knee Drawer Divider or Kit

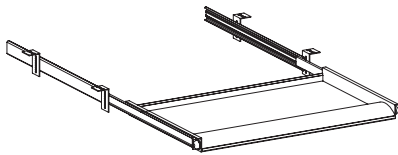


*Installed*  
\* **KDD18**  
**KDD21**  
**KDD24**  
**KDD27**  
**KDD30**  
*Kit Section width*  
\* **KDDK18** 3 7/8"  
**KDDK21** 4 7/8"  
**KDDK24** 5 7/8"  
**KDDK27** 6 7/8"  
**KDDK30** 7 7/8"  
\* For one side of DKD36.2D

- Fits DKD drawers only
- 1/2" thick solid wood dividers are 1 1/2" high
- Each long section is approximately 12 1/2" deep
- All units are 13 5/16" deep
- Order Example: Installation in both drawers of DKD36.2D use DKD36.2D-KDD18-KDD18

## Computer Keyboard Drawer Kit

**KBDK**



- Can be stored under work surface when **not** in use
- Min. 24" clear width and 21" clear depth required for installation
- Adjustable wrist rest
- If unit is installed at an angle, fillers should be used to avoid interference with adjacent cabinet
- Field install

## Adjustable Drawer Dividers

**1ADD**

*Single Replacement Dividers Only*  
**ADDIV.7.12** 7" High, 12" Deep Drawers  
**ADDIV.7.15** 7" High, 15" Deep Drawers  
**ADDIV.7.18** 7" High, 18" Deep Drawers  
**ADDIV.7.21** 7" High, 21" Deep Drawers  
**ADDIV.7.24** 7" High, 24" Deep Drawers

- Dividers are 1/2" thick and can be spaced approximately 3" apart
- Fits Furniture Drawer 12" H (FD\_12)
- For 24"-27" wide cabinets, two dividers supplied
- For 30"-36" wide cabinets, three dividers supplied
- Available factory installed only



# Wood Tops

## Construction Options and Modifications

APC All Plywood Construction

CWT	96	22
code	width	depth

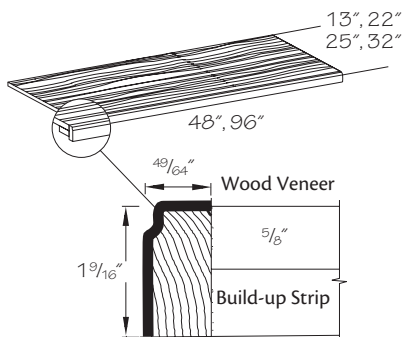
- ❖ Included as standard
- Available with an upcharge
- ☆ Available with exceptions
- (Blank) Unavailable

Wood tops are constructed of 5/8" engineered wood with wood veneer on one side. Front is finished with 3/4" or 49/64" thick by 1 9/16" high solid wood edge molding.

**Note:** Wood tops are built to size. Only (1) top will be manufactured per 48" or 96" blank.

Material dimensions listed may vary slightly from actual dimensions of the product. Specifications subject to change without notice.

### Traditional Wood Tops



48" Wide  
**TWT1348**  
**TWT2248**  
**TWT2548**  
**TWT3248**

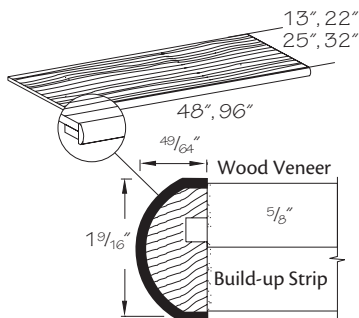
96" Wide  
**TWT1396**  
**TWT2296**  
**TWT2596**  
**TWT3296**

Peninsula  
 48" Wide  
**PTWT1348**  
**PTWT2248**  
**PTWT2548**  
**PTWT3248**

Peninsula  
 96" Wide  
**PTWT1396**  
**PTWT2296**  
**PTWT2596**  
**PTWT3296**

- APC
- Finished dimensions are available in 1/16" increments only; specify dimensions and finished edges
- Tops will be supplied for straight applications only including peninsula and islands with up to four finished edges
- Quartersawn door styles are supplied plain sawn
- Painted hardwood supplied for EverCore® and Thermofoil
- Painted or Stained hardwood supplied for Wood-Grain Foil door styles
- Unavailable in Rustic Alder door styles
- **Note:** Heavy lines indicate finished edges

### Contemporary Wood Tops



48" Wide  
**CWT1348**  
**CWT2248**  
**CWT2548**  
**CWT3248**

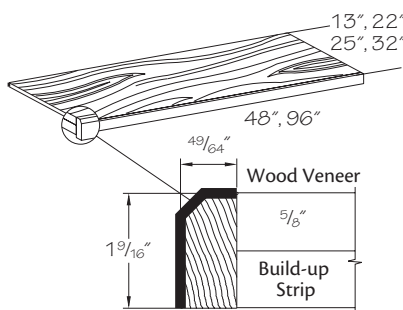
96" Wide  
**CWT1396**  
**CWT2296**  
**CWT2596**  
**CWT3296**

Peninsula  
 48" Wide  
**PCWT1348**  
**PCWT2248**  
**PCWT2548**  
**PCWT3248**

Peninsula  
 96" Wide  
**PCWT1396**  
**PCWT2296**  
**PCWT2596**  
**PCWT3296**

- APC
- Finished dimensions are available in 1/16" increments only; specify dimensions and finished edges
- Tops will be supplied for straight applications only including peninsula and islands with up to four finished edges
- Painted hardwood supplied for EverCore® and Thermofoil
- Painted or Stained hardwood supplied for Wood-Grain Foil door styles
- Quartersawn door styles are supplied plain sawn
- Unavailable in Rustic Alder door styles
- **Note:** Heavy lines indicate finished edges

### Angled Wood Tops



48" Wide  
**AWT1348**  
**AWT2248**  
**AWT2548**  
**AWT3248**

96" Wide  
**AWT1396**  
**AWT2296**  
**AWT2596**  
**AWT3296**

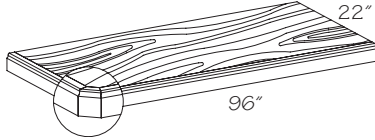
Peninsula  
 48" Wide  
**PAWT1348**  
**PAWT2248**  
**PAWT2548**  
**PAWT3248**

Peninsula  
 96" Wide  
**PAWT1396**  
**PAWT2296**  
**PAWT2596**  
**PAWT3296**

- APC
- Finished dimensions are available in 1/16" increments only; specify dimensions and finished edges
- Tops will be supplied for straight applications only including peninsula and islands with up to four finished edges
- Painted hardwood supplied for EverCore® and Thermofoil
- Painted or Stained hardwood supplied for Wood-Grain Foil door styles
- Quartersawn door styles are supplied plain sawn
- **Note:** Heavy lines indicate finished edges

### Clipped Corner Wood Tops

APC



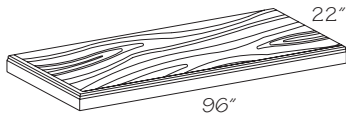
**CCB** Clipped Corner Both  
**CCL** Clipped Corner Left  
**CCR** Clipped Corner Right

- 45° clipped corners
- Finished Ends supplied when Clipped Corner option is specified
- Painted hardwood supplied for EverCore®
- **Note:** Heavy lines indicate finished edges



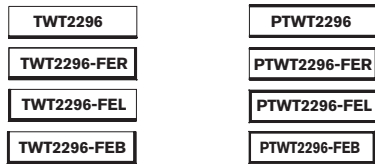
### Finished End Wood Tops

APC



**FEB** Finished End Both  
**FEL** Finished End Left  
**FER** Finished End Right

- Edge molding is miter cut at 90° corners
- Painted hardwood supplied for EverCore®
- **Note:** Heavy lines indicate finished edges



# Passport Cabinets

## Construction Options and Modifications

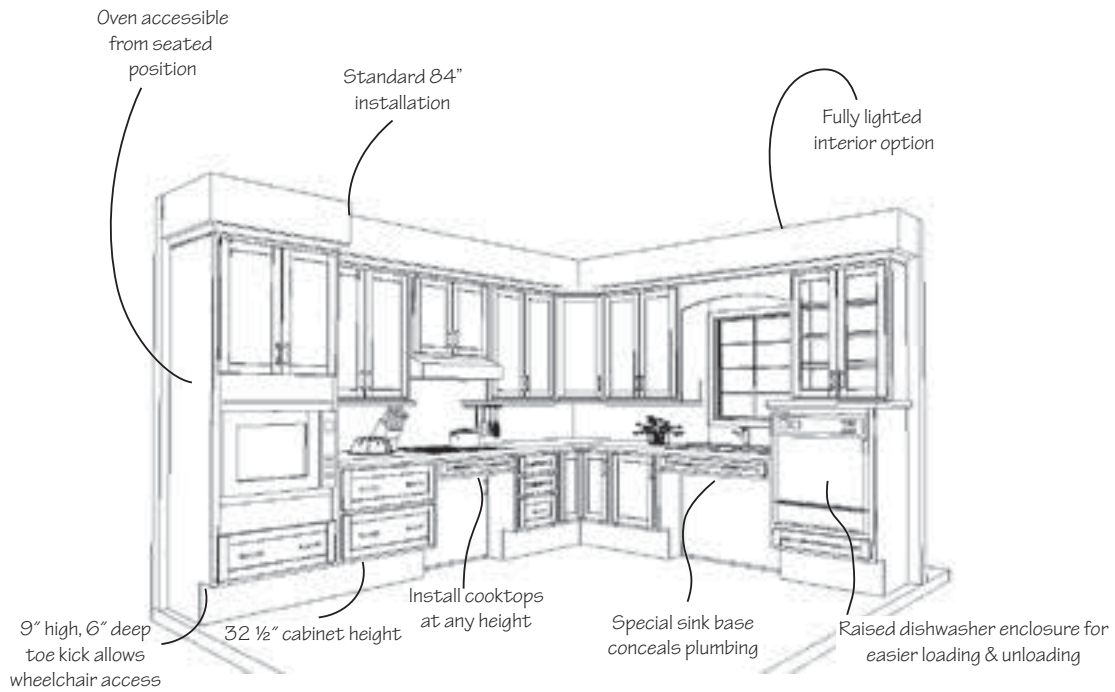
<b>AU</b>	<b>18</b>	<b>84</b>	<b>12</b>
code	width	height	depth

- ❖ Included as standard
- Available with an upcharge
- ☆ Available with exceptions
- (Blank) Unavailable

- PE Plywood Ends
- APC All Plywood Construction
- APFC All Plywood Furniture Construction
- FPEB Furniture Plywood Ends
- MI Matching Interior
- OE Operational End
- RD Reduced Depth
- IF Inverted Frame
- TWR Top Wide Rail
- XS Extended Stile
- GD Glass Doors
- RTK Recessed Toe Kick

Material dimensions listed may vary slightly from actual dimensions of the product. Specifications subject to change without notice.

### Passport Series



#### Recommendations for Maximum Accessibility:

- Order 36" high wall cabinets installed at 82" or 84" height
- Increase Wall Cabinet depth to 15" for easier use
- Minimize use of Base cabinets with doors, select drawer cabinets

#### Door Style Availability:

- Passport SKU's are available in all 1/2" overlay door styles and are now available with your choice of soft close or knife hinges (see door style availability below). Soft close hinges features an integrated mechanism that closes doors softly and quietly and is adjustable six ways for perfect alignment. Knife hinges, which open 180 degrees, are recommended to accommodate wheelchair users.

#### • 1/2" overlay door styles with soft close hinge:

- |                      |                      |
|----------------------|----------------------|
| Fox Hill Roman—Half  | Piermont Roman—Half  |
| Fox Hill Square—Half | Piermont Square—Half |
| Geneva Roman—Half    | Stratford Square     |
| Geneva Square—Half   | Thornton—Half        |
| Northwood Square     |                      |

#### • 1/2" overlay door styles with knife hinge:

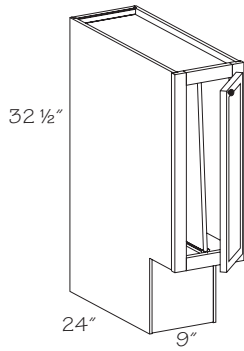
- Geneva Cherry Roman—Half
- Geneva Cherry Square—Half
- Northwood Square
- Stratford Square

#### Design Recommendations:

- Consider specifying Under Cabinet Panels for wall cabinets available for wheelchair users

### Passport Base Single Door w/Tray Divider

AB9 R or L

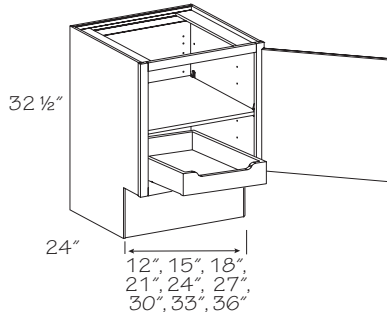


- Specify R or L for single door hinging
- Full-height door
- One full-height tray divider

- PE
- APC
- APFC
- FPEB
- MI
- OE
- RD
- IF
- TWR
- XS
- GD
- RTK

### Passport Base Cabinet w/Deluxe Rollout Trays

ABFH12 R or L.DXFWT  
 ABFH15 R or L.DXFWT  
 ABFH18 R or L.DXFWT  
 ABFH21 R or L.DXFWT  
 ABFH24 BUTT.DXFWT  
 ABFH27 (Butt).DXFWT  
 ABFH30 BUTT.DXFWT  
 ABFH33 BUTT.DXFWT  
 ABFH36 BUTT.DXFWT

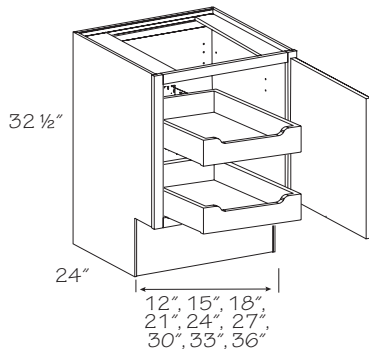


- Specify R or L for single door hinging
- Full-height door
- One adjustable shelf
- One adjustable, full-width Roll-out Tray
- ☆ Min. (RD) is 18"

- PE
- APC
- APFC
- FPEB
- MI
- OE
- ☆ RD
- IF
- TWR
- XS
- GD
- RTK

### Passport Base Cabinet w/2 Deluxe Rollout Trays

ABFH12 R or L.2DXFWT  
 ABFH15 R or L.2DXFWT  
 ABFH18 R or L.2DXFWT  
 ABFH21 R or L.2DXFWT  
 ABFH24 BUTT.2DXFWT  
 ABFH27 (Butt).2DXFWT  
 ABFH30 BUTT.2DXFWT  
 ABFH33 BUTT.2DXFWT  
 ABFH36 BUTT.2DXFWT

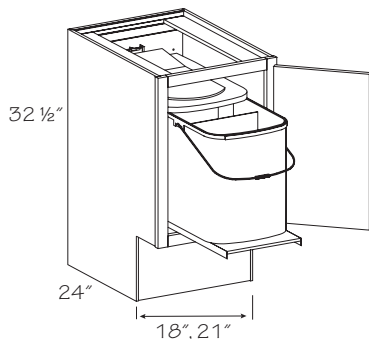


- Specify R or L for single door hinging
- Full-height door
- ☆ Min. (RD) is 18"

- PE
- APC
- APFC
- FPEB
- MI
- OE
- ☆ RD
- IF
- TWR
- XS
- GD
- RTK

### Passport Base Wastebasket

ABWB18 R or L  
 ABWB21 R or L

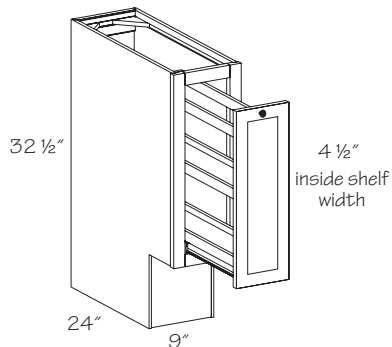


- Specify R or L for single door hinging
- 30 qt. capacity
- Basket slides on full extension glides
- Attached handle for easy lifting
- Divided for recycling
- Basket(s) are easily removable for emptying or cleaning

- PE
- APC
- APFC
- FPEB
- MI
- OE
- RD
- IF
- TWR
- XS
- GD
- RTK

### Passport Base Pantry Pull-out

**ABPP9**

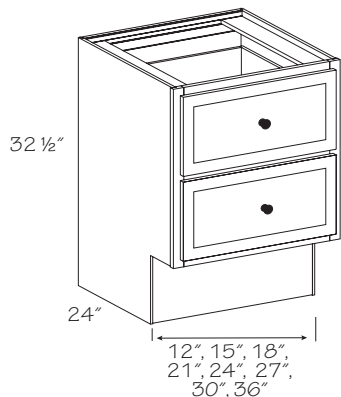


- Unit slides on heavy duty full extension runners with integrated buffer
- Two fixed wood shelves attached to a full-height door
- Pull-out Heights: Top shelf 8 1/4"; bottom shelf 7 3/4"

- PE
- APC
- APFC
- FPEB
- MI
- OE
- RD
- IF
- TWR
- XS
- GD
- RTK

### Passport Base Two Drawer

**ABD12 .2**  
**ABD15 .2**  
**ABD18 .2**  
**ABD21 .2**  
**ABD24 .2**  
**ABD27 .2**  
**ABD30 .2**  
**ABD36 .2**

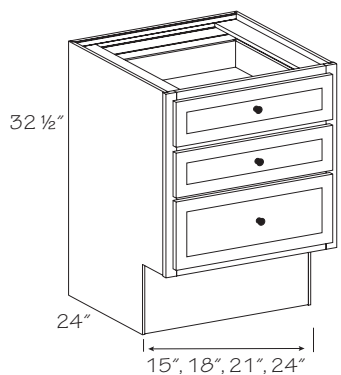


- Two deep drawers

- PE
- APC
- APFC
- FPEB
- MI
- OE
- RD
- IF
- TWR
- XS
- GD
- RTK

### Passport Base Three Drawer

**ABD12 .3**  
**ABD15 .3**  
**ABD18 .3**  
**ABD21 .3**  
**ABD24 .3**

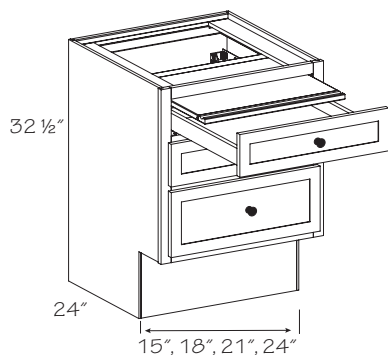


- Two standard drawers
- One deep drawer

- PE
- APC
- APFC
- FPEB
- MI
- OE
- RD
- IF
- TWR
- XS
- GD
- RTK

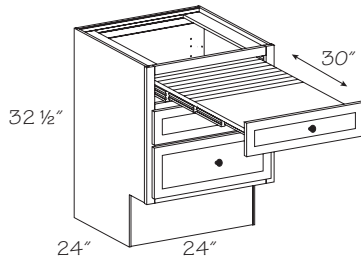
### Passport Base Three Drawer w/Cutting Center

**ABD15 .3CC**  
**ABD18 .3CC**  
**ABD21 .3CC**  
**ABD24 .3CC**



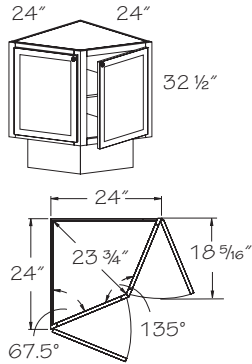
- One standard drawer
- One deep drawer
- 2 1/4" high drawer box with cutting board installed above
- Cutting board is removable

- PE
- APC
- APFC
- FPEB
- MI
- OE
- RD
- IF
- TWR
- XS
- GD
- RTK

**Passport Base Pull-out Table**
**ABDT24**


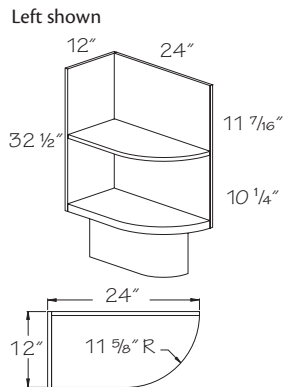
- One standard drawer
- One deep drawer
- Top constructed of laminated Maple melamine
- Load capacity 160 lbs.
- Secure to floor or wall; unintended for use as a freestanding cabinet
- **Not** designed to be used as a cutting board

●	PE
●	APC
●	APFC
●	FPEB
	MI
	OE
	RD
	IF
	TWR
●	XS
	GD
●	RTK

**Passport Base End Corner**
**ABEC24**


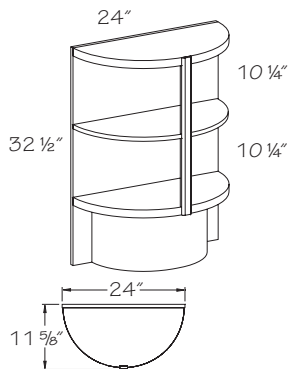
- One fixed shelf
- Can be installed on either right or left end
- Contrasting Back Options (CBEB, CPLB) unavailable

●	PE
●	APC
	APFC
	FPEB
●	MI
	OE
	RD
	IF
	TWR
	XS
●	GD
	RTK

**Passport Solid Wood Base End Open Shelf**
**ASBEOS1224 R or L**


- Specify R or L
- One fixed shelf
- 5/8" wood veneer on sides and back
- 1 3/16" thick bottom shelf
- 11 5/8" radius
- Solid wood construction on shelves only
- Painted hardwood supplied for EverCore®
- Toe kick is finished
- ☆ Shelves remain solid when APC option is chosen; sides and back will be 11/16" matching wood veneer plywood
- ☆ (RD) available in 3" increments to a min. of 12"

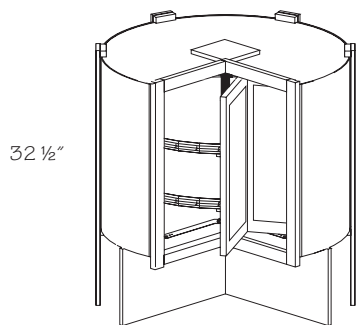
	PE
☆	APC
	APFC
	FPEB
◇	MI
	OE
☆	RD
	IF
	TWR
	XS
	GD
	RTK

**Passport Peninsula Solid Wood Base End Open Shelf**
**ASPBEOS2412**


- Two fixed shelves
- 5/8" wood veneer on back panel
- 1 3/16" thick top and bottom shelves
- 11 5/8" radius
- Solid wood construction on shelves only
- Painted hardwood supplied for EverCore®
- Toe kick is finished
- Back may be notched in field for continuous toe kick applications
- ☆ Shelves remain solid when APC option is chosen; back will be 11/16" matching wood veneer plywood

	PE
☆	APC
	APFC
	FPEB
◇	MI
	OE
	RD
	IF
	TWR
	XS
	GD
	RTK

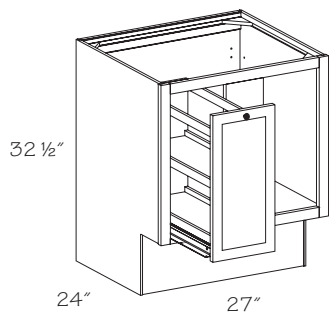
**Passport Lazy Susan  
ALS36**



- Two pie-cut, 28" diameter, interior vinyl rotating shelves
- Requires 36" of wall space
- Doors are attached to and rotate with the Lazy Susan
- Contrasting Back Options (CBEB, CPLB) unavailable

PE
● APC
APFC
FPEB
MI
OE
RD
IF
TWR
● XS
GD
RTK

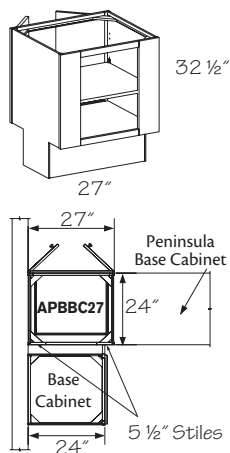
**Passport Base Blind Corner w/Pull-out  
ABBC36 R or L.BPP**



- Specify R or L; R or L indicates blind
- Requires a min. of 39" wall space
- Blind panel (stile) is 6" wide
- Needs to be pulled min. 12"; max. 15"
- Pull-out Heights: Top shelf 8 1/4"; bottom shelf 7 3/4"
- Right blind shown
- Filler included
- Unit slides on heavy duty full extension runners with integrated buffer
- **Note:** If using hardware on adjacent cabinets, allow at least 40" wall space to allow for clearance of pull-out unit

● PE
● APC
● APFC
● FPEB
● MI
OE
RD
IF
TWR
● XS
GD
● RTK

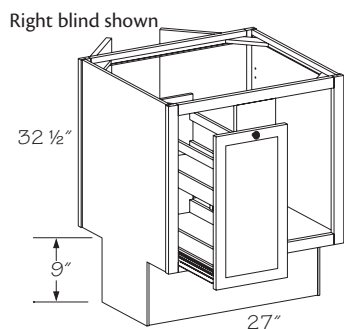
**Passport Peninsula Base Blind Corner  
APBBC27**



- One adjustable shelf
- For use as a starter cabinet for peninsula
- Two 5 1/2" stiles on blind side allow cabinet to be used as right or left
- Reversible

● PE
● APC
● APFC
● FPEB
● MI
OE
● RD
IF
TWR
● XS
● GD
RTK

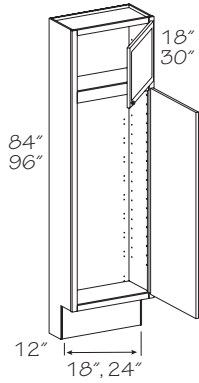
**Passport Peninsula Base Blind Corner w/Pull-out  
APBBC36 R or L.BPP**



- Specify R or L; R or L indicates blind
- Requires a min. of 39" wall space
- Blind panel (stile) is 6" wide
- Needs to be pulled min. 12"; max. 15"
- Pull-out Heights: Top shelf 8 1/4"; bottom shelf 7 3/4"
- Filler included
- Unit slides on heavy duty full extension runners with integrated buffer
- **Note:** If using hardware on adjacent cabinets, allow at least 40" wall space to allow for clearance of pull-out unit

● PE
● APC
● APFC
● APFC
● FPEB
● MI
OE
RD
IF
TWR
● XS
GD
RTK

### Passport Utility Cabinets 12" Deep



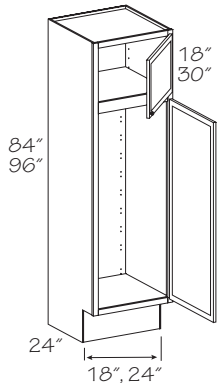
84" High  
**AU181284 R or L**  
**AU241284 R or L**  
 96" High  
 \* **AU181296 R or L**  
 \* **AU241296 R or L**

\* Includes two adjustable shelves in upper section

- Specify R or L for single door hinging
- Toe kick is shipped separately on 96" high cabinets
- **Note:** Order Shelf Kit for lower section separately

- PE
- APC
- APFC
- FPFB
- MI
- OE
- RD
- IF
- TWR
- XS
- GD
- RTK

### Passport Utility Cabinets 24" Deep



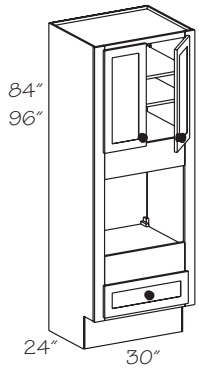
84" High  
**AU182484 R or L**  
**AU242484 R or L**  
 96" High  
 \* **AU182496 R or L**  
 \* **AU242496 R or L**

\* Includes two adjustable shelves in upper section

- Specify R or L for single door hinging
- Toe kick is shipped separately on 96" high cabinets
- **Note:** Order Shelf Kit for lower section separately

- PE
- APC
- APFC
- FPFB
- MI
- OE
- RD
- IF
- TWR
- XS
- GD
- RTK

### Passport Single Oven Cabinet w/3" Stiles



84" High  
 \* **AOC302484 S.BD**  
 96" High  
 ◆ **AOC302496 S.BD**

\* Includes two adjustable shelves in upper section  
 ◆ Includes three adjustable shelves in upper section

- Toe kick is shipped separately on 96" high cabinets
- Oven Trim Kit (overlay panel) available for a full overlay look
- Doors are unable to align when stacking a Wall Refrigerator cabinet. AOC's have a 2 1/2" reveal on frame stiles for Knife Hinge door styles
- **Note:** Max. recommended oven installed height is 48" for a seated person

- PE
- APC
- APFC
- FPFB
- MI
- OE
- RD
- IF
- TWR
- XS
- GD
- RTK

Cutout dimensions

Cabinet Width	Min. Width	Max. Width	Min. Height	*Max. Height
30"	24"	28"	21"	34"

\*Maximum cutout opening is dependent on appliance size and use of molding or trim kit. Distance between top doors and bottom drawer is 36 1/8".



# Base Sink & Appliance Cabinets

## Construction Options and Modifications

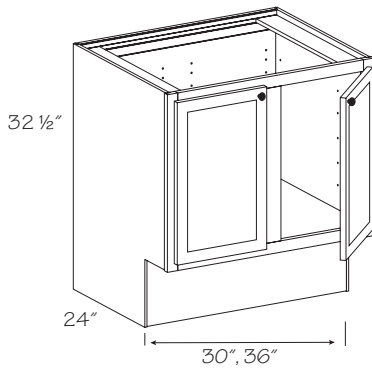
- ❖ Included as standard
- Available with an upcharge
- ☆ Available with exceptions
- (Blank) Unavailable

- PE Plywood Ends
- APC All Plywood Construction
- APFC All Plywood Furniture Construction
- FPEB Furniture Plywood Ends
- MI Matching Interior
- OE Operational End
- RD Reduced Depth
- IF Inverted Frame
- TWR Top Wide Rail
- XS Extended Stile
- GD Glass Doors
- RTK Recessed Toe Kick

Material dimensions listed may vary slightly from actual dimensions of the product. Specifications subject to change without notice.

### Passport Sink Base

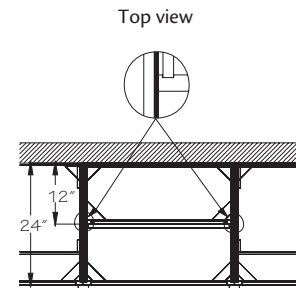
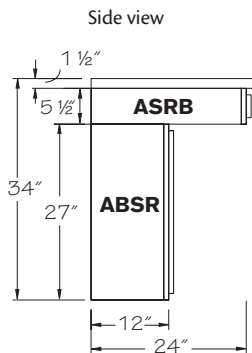
ASB30  
ASB36



- Full-height door
- No shelf
- Designed for use as a range or sink base
- Includes a Touch-Up Kit

- PE
- APC
- APFC
- FPEB
- MI
- OE
- RD
- IF
- TWR
- XS
- GD
- RTK

### Passport Plumbing Skirt and Sink Collar Usage

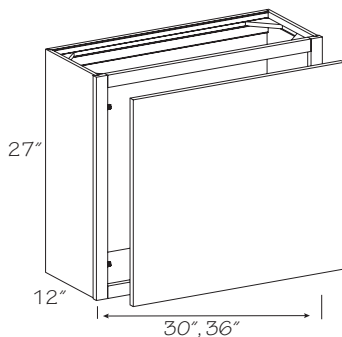


For proper fit, install WSK or VSK on base and tall cabinets next to ABSR

- PE
- APC
- APFC
- FPEB
- MI
- OE
- RD
- IF
- TWR
- XS
- GD
- RTK

### Passport Plumbing Skirt

ABSR30  
ABSR36

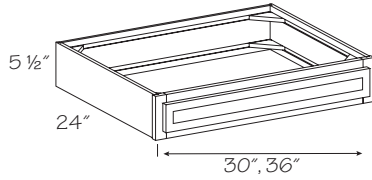


- Install with back to wall, creates a 12" deep knee space
- Removable front
- Water lines and drains including P-Trap should **not** be installed any more than 6" from wall
- Be sure to check your local Accessible Design codes for necessary clearances
- (CFO) option is available for clearance flexibility
- Includes a Touch-Up Kit
- Painted hardwood supplied for EverCore®
- **Note:** Adjacent cabinets need to have skins or Furniture Plywood Ends applied

- PE
- APC
- APFC
- FPEB
- MI
- OE
- RD
- IF
- TWR
- XS
- GD
- RTK

**Passport Sink Collar**

**ASRB30  
ASRB36**

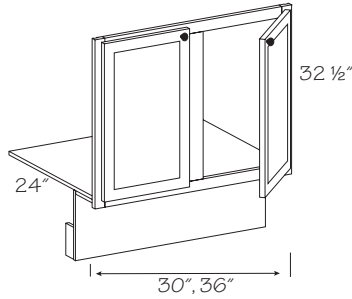


- Designed for use with Passport Plumbing Skirt
- For use with sink or cooktop
- Includes a Touch-Up Kit

- PE
- APC
- APFC
- FPFB
- MI
- OE
- RD
- IF
- TWR
- XS
- GD
- RTK

**Passport Sink Front**

**ASF30  
ASF36**



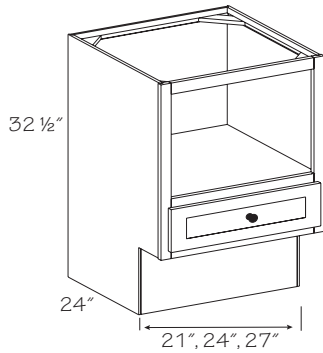
- Includes floor; shipped loose
- UTK unavailable
- Unit is unable to be trimmed
- Includes a Touch-Up Kit

- PE
- APC
- APFC
- FPFB
- MI
- OE
- RD
- IF
- TWR
- XS
- GD
- RTK

**Passport Base Microwave**

**ABMW21  
ABMW24  
ABMW27**

*Opening Width*  
18"  
21"  
24"

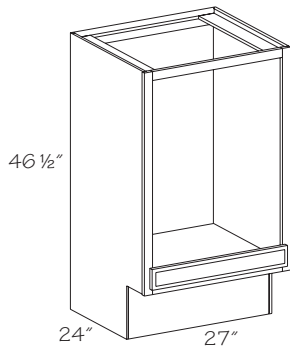


- One standard drawer
- Opening height 14"
- Designed for countertop style microwaves

- PE
- APC
- APFC
- FPFB
- MI
- OE
- RD
- IF
- TWR
- XS
- GD
- RTK

**Passport Base Dishwasher Cabinet**

**ABDW27**



- Allows for 11" raised installation of standard dishwashers
- Finished top required
- Plywood floor
- False drawer front

- PE
- APC
- APFC
- FPFB
- MI
- OE
- RD
- IF
- TWR
- XS
- GD
- RTK

# Passport Accessories

## Construction Options and Modifications

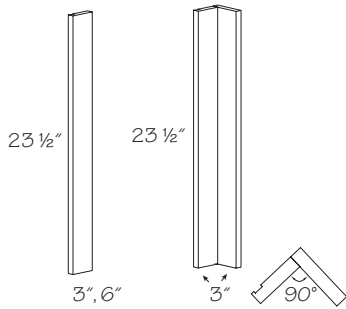
<b>AWSK</b>	<b>24</b>	<b>32</b>
code	width	height

- ❖ Included as standard
- Available with an upcharge
- ☆ Available with exceptions
- (Blank) Unavailable

- PE Plywood Ends
- APC All Plywood Construction
- APFC All Plywood Furniture Construction
- FPEB Furniture Plywood Ends
- MI Matching Interior
- RD Reduced Depth

Material dimensions listed may vary slightly from actual dimensions of the product. Specifications subject to change without notice.

### Passport Base Filler

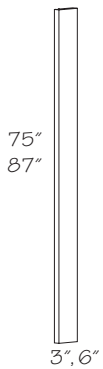


- ABF3**
- ABF6**
- ABF3X3**

- 3/4" thick solid wood
- Finished one side only
- Painted hardwood supplied for EverCore®
- No toe kick

PE
APC
APFC
FPEB
MI
RD

### Passport Tall Filler

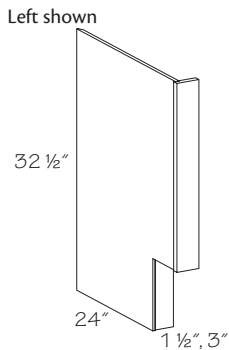


- 84" High
- ATF3.84**
- ATF6.84**
- 96" High
- ATF3.96**
- ATF6.96**

- 3/4" thick solid wood
- Finished one side only
- Painted hardwood supplied for EverCore®
- No toe kick

PE
APC
APFC
FPEB
MI
RD

### Passport Base End Panel w/Stile



- ABEP 1 1/2 R or L**
- ABEP3 R or L**

- Specify R or L
- Exterior finished to match, interior is Natural Birch vinyl
- Painted hardwood supplied for EverCore®

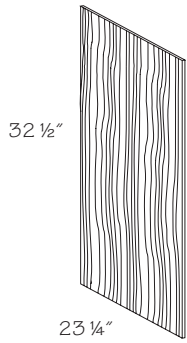
● PE
● APC
● APFC
● FPEB
● MI
● RD

### Passport Base Skin

Wood Veneer  
AWSK2432

- 3/16" thick
- Painted hardwood supplied for EverCore®

PE
APC
APFC
FPEB
MI
RD

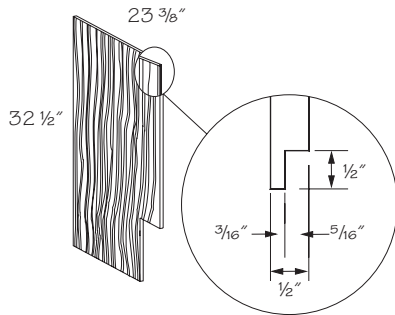


### Passport Lazy Susan End Panel

ALSEP R or L

- Specify R or L
- Requires 3/16" of wall space
- Notched to fit behind stile of Lazy Susan front frame
- Painted hardwood supplied for EverCore®
- Exterior finished to match, interior is Natural Birch vinyl

● PE
● APC
APFC
FPEB
MI
RD

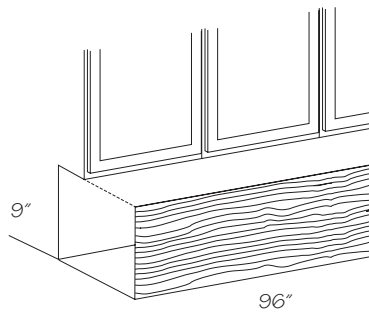


### Passport Matching Toe Kick

AWMTK8

- 3/16" thick wood veneer, 9" high; stained to match
- Edges are unfinished
- **Note:** Matching toe kick is **not** automatically supplied with cabinets. Order matching to kick separately
- Painted hardwood supplied for EverCore®
- Field install

PE
APC
APFC
FPEB
MI
RD



Apply Shoe Molding at the base of Matching Toe Kicks or Wood Matching Toe Kicks for a nice, finished look

# Decorative Appliance Panels

APDW

code

Material dimensions listed may vary slightly from actual dimensions of the product. Specifications subject to change without notice.

## Decorative Appliance Panel - General Guidelines

- Specific panel dimensions can be recorded and Masco Cabinetry will finish the panels to your specifications
- Check appliance manufacturer's specifications for any additional material, such as shims, spacers, etc., that may be needed before placing any order. Spacer panels are **not** supplied
- If a veneer center panel door style is selected, appliance panel doors will have a solid wood center panel machined to resemble the veneer center panel
- Grain orientation will match that of the selected door style
- Stiles and rails will be the same size and profile as the selected door style
- Onlay panels will react to climate conditions causing varying degrees of joint separation. This is a natural reaction in wood product and therefore is **not** covered under warranty
- Door sizes are limited to 1/16" increments

## Decorative Appliance Panel - Pricing Method

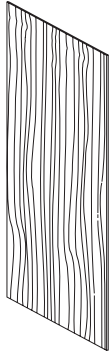
- General Pricing Rules:
- Using the outer most dimension of each panel, the width and height should be converted into a decimal form. Examples:  $21\ 9/16" = 21.5625$ ;  $58\ 7/16" = 58.4375$ , etc.
- Calculated dimensions will be rounded using the standard rounding method (down from 4 and up from 5) to the nearest 10,000th place. Example: 8.7504069 will round to 8.7504
- List prices will be rounded up to the nearest dollar from .01 cents. Example: \$179.01 will become \$180
- Please use the following instructions to determine the LIST PRICE of each panel, remembering to use the rounding method mentioned above
- Start by taking the panel width and height, in decimal form, and multiply the two numbers together giving you the total square inches. Example:  $(21\ 9/16")\ 21.5625 \times (58\ 3/8")\ 58.4375 = 1260.058594$  sq. in., which rounds to 1260.0586 sq. in.
- Next, you need to convert sq. in. into sq. ft. by taking the sq. in. figure and dividing that number by 144. Example:  $1260.0586 \div 144 = 8.7504069$  sq. ft., which rounds to 8.7504 sq. ft.
- Next, multiply the total sq. ft. by the appropriate sq. ft. list price to get the total list price. Example  $8.7504 \times \$128 = 1120.05$ , which rounds to \$1121 list price
- **Note:** Prices shown above are merely examples and are **not** actual list prices

## Decorative Panel - Back Panel

**APWSK**  
**▲ APWSK .C**

▲ Available in Crafted door styles only

*Grey color coding indicates new product, size or code.*



Back Panel	
Minimum Width	4 1/2"
Maximum Width	48"
Minimum Height	3/4"
Maximum Height	96"

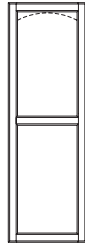
- Approximately 3/16" thick
- Back Panels will match the wood species and the color of the selected door style and finish and can be used with or without onlay panels to decorate any appliance
- Plain sawn material supplied for Crafted door styles
- Wood veneer engineered wood
- Finished one side only
- Quartersawn door styles are quartersawn wood veneer
- Painted or Stained hardwood supplied for Wood-Grain Foil door styles
- Edges are unfinished with no edgbanding
- Painted hardwood supplied for EverCore® and Thermofoil door styles. A matching matte panel will be supplied when ordered in High-Gloss Foil door styles

## Decorative Panel - Door Onlay Panel and Hinge Doors

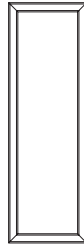
**APDRL .B or W**  
**APDRR .B or W**  
**APDRNH .B or W**



10" - 55"  
High



54 15/16" - 80"  
High



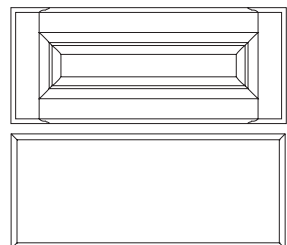
Mitered

- Doors and onlay panels ordered 55" – 80" will have a double center panel (a horizontal center rail will equally divide the onlay panel)
- Mitered door styles will have a single center panel, regardless of height
- When an arched door style is selected, select Arched (.W) or Square (.B) to determine the door and onlay panel's top profile
- When a square door style is selected, the square profile will be supplied for all onlay panels as standard. It is recommended to use a square profile when ordering an onlay panel for a dishwasher or trash compactor application
- Veneer raised panel door styles will be supplied with a solid wood center panel machined to resemble the veneer center panel
- Due to varying dimensions and designs of raised center panels, recessed center panels may be supplied when the center panel width or height is less than 3 1/4"
- Hinging for doors:
  - Doors 10" to 36" get two hinge holes
  - Doors 36 1/6" to 48" get three hinge holes
  - Doors 48 1/16" to 80" get four hinge holes
- Backs are finished
- Doors are automatically drilled for Permaset Bumpers
- Doors ordered with the No Hinge (NH) option will receive a single cup hinge bore for internal tracking purposes
- **Note:** Check appliance manufacturer's specs for any additional material (shims, spacers, etc.) that may be needed before placing any order. Appliance model numbers are **not** sufficient, use numeric dimensions when ordering
- **Note:** Doors with 3 1/2" stiles will be made with 3" stiles if the door is 7 15/16" to 9 1/16" wide; doors less than 7 15/16" wide will be made with 2" stiles

Onlay Panel	
Minimum Width	7" +
Maximum Width	36"
Minimum Height	10"
Maximum Height*	80"

- + Decorative Panel Width applies to non-mitered door styles
- Doors with 2 5/8" stiles will be made with 2" stiles if the door width is less than 7 3/16"
- Doors with 2 3/4" stiles will be made with 2" stiles if the door width is less than 7 7/16"
- Doors with 3" stiles will be made with 2" stiles if the door width is less than 7 15/16"
- Roman Arched doors will be supplied as square if the door width is less than 7 15/16"

\* Maximum height for Wood-Grain Laminate mitered doors is 55 5/8"



## Decorative Panel - Drawer Onlay Panel

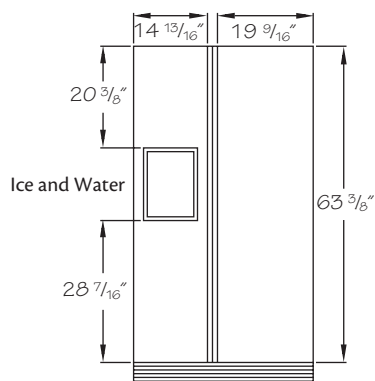
### APDW

- APDW will follow the selected door style's drawer front configuration
- Five-piece grill panels/drawer heads ordered in heights less than 6 1/8" may be supplied as a solid slab onlay panel. Some five-piece drawer fronts may have a recessed center panel
- The Drawer Onlay Panel will be constructed like door when Wood-Grain Foils door styles are ordered
- "Width" will be referred to as "Length" on your faxed acknowledgments for APDW only
- If unit is installed at an angle, fillers should be used to avoid interference with adjacent cabinet
- Veneer raised panel door styles will be supplied with a solid wood center panel machined to resemble the veneer center panel
- Backs are finished
- **Note:** Check appliance manufacturer's specs for any additional material (shims, spacers, etc.) that may be needed before placing any order. Appliance model numbers are **not** sufficient, use numeric dimensions when ordering

Onlay Panel	
Minimum Width	6" +
Maximum Width	48"
Minimum Height	2 1/4"
Maximum Height	30"

- +Decorative Panel Width
- Drawer fronts with 2 5/8" stiles will be made with 2" stiles if the front width is less than 7 3/16"
- Drawer fronts with 2 3/4" stiles will be made with 2" stiles if the front width is less than 7 7/16"
- Drawer fronts with 3" stiles will be made with 2" stiles if the front width is less than 7 15/16"
- The minimum width a drawer front can be made as a 5 piece, with 2 3/16" or 2 1/4" stiles, is 7" wide

## Decorative Panel/Replacement Door and Drawer Front

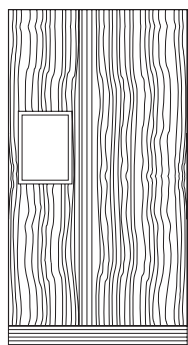


- Decorative panels can be easily created using paneling and replacement door and drawer fronts
- Example: Create a decorative panel for this side by side refrigerator
- **Note:** In most cases, doors will be narrower than the refrigerator door and portions of the refrigerator door paneling will be exposed. Advise your customers that this "reveal" will be present and that cabinet doors are unable to completely overlay the refrigerator door



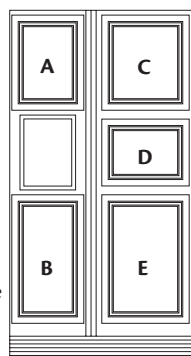
When applying Replacement Doors to a WSK remember to allow enough room for access to the appliance door handle

Option 1:  
Order and Install:  
WSK3684



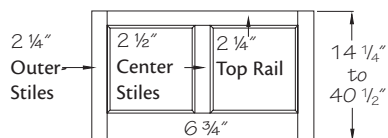
Option 2:  
Order and Install:  
1 - WSK3684  
1 - RDB1218 (Door "A")  
1 - RDB1224 (Door "B")  
1 - RD1818 (Door "C")  
1 - RD1815 (Door "D")  
1 - RD1824 (Door "E")

Size of refrigerator may vary and door sizes may need to be changed



## Decorative Panel - Wainscot

### WAIN01



Standard		Shaker	
Panel Width	# Panels	Panel Width	# Panels
7"-25"	1	7"-13"	1
25 1/16"-48"	2	13 1/16"-20"	2
48 1/16"-72"	3	20 1/16"-29"	3
72 1/16"-96"	4	29 1/16"-35"	4
		35 1/16"-48"	5
		48 1/16"-60"	6
		60 1/16"-72"	7
		72 1/16"-84"	8
		84 1/16"-96"	9

Panel	Min.	Max.
Width:	7"	96"
Height:	14 1/4"	40 1/2"

- Veneer raised panel door styles will be supplied with a solid wood center panel machined to resemble the veneer center panel
- Unavailable in EverCore®, High-Gloss Foil or Wood-Grain Foil door styles
- Unavailable in mitered door styles
- Unavailable in slab door styles
- Shaker door style is Hamilton
- Outer stiles and top rail are always 2 1/4", bottom rail is always 6 3/4", center stiles are always 2 1/2"

# Paneling

## Construction Options and Modifications

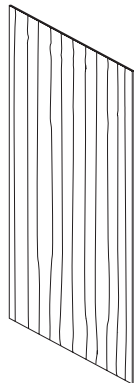
- APC All Plywood Construction
- CW Change Width
- CH Change Height

<b>WSK</b>	<b>12</b>	<b>30</b>
code	width	height

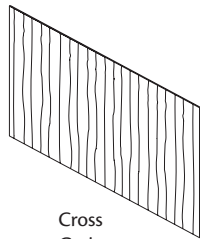
- ❖ Included as standard
- Available with an upcharge
- ☆ Available with exceptions
- (Blank) Unavailable

Material dimensions listed may vary slightly from actual dimensions of the product. Specifications subject to change without notice.

### Wood Veneer Paneling



Standard Grain Panel



Cross Grain Panel

#### Engineered Wood

- ◆ **WPL4834**
- ◆ **WPL9634**
- ◆ **WPL4848**
- ※◆ **WPL9648**
- ※ **WPL4896**

#### Crafted

- ▲◆ **WPL4834 .C**
- ▲◆ **WPL9634 .C**
- ▲◆ **WPL4848 .C**
- ▲◆ **WPL9648 .C**
- ▲◆ **WPL4896 .C**

#### Plywood

- ◆ **WSK1230**
- ◆ **WSK2134**
- ◆ **WSK2434**
- ◆ **WSK2136**
- ◆ **WSK1248**
- ◆◆ **WSK4848**
- ※◆◆ **WSK9648**
- ◆ **WSK1284**
- ◆ **WSK2484**
- ◆ **WSK3684**
- ◆ **WSK1287**
- ◆ **WSK2487**
- ◆ **WSK2188**
- ◆ **WSK1290**
- ◆ **WSK2490**
- ◆ **WSK1293**
- ◆ **WSK2493**
- ◆ **WSK1296**
- ◆ **WSK2496**
- ◆ **WSK3696**
- ◆ **WSK12108**
- ◆ **WSK12120**
- ◆ **WSK24108**
- ◆ **WSK24120**
- ◆ **WSK36108**
- ◆ **WSK36120**

#### Crafted

- ▲ **WSK1230 .C**
- ▲ **WSK2134 .C**
- ▲ **WSK2434 .C**
- ▲ **WSK2136 .C**
- ▲ **WSK1248 .C**
- ▲ **WSK4848 .C**
- ※ **WSK9648 .C**
- ▲ **WSK1284 .C**
- ▲ **WSK2484 .C**
- ▲ **WSK3684 .C**
- ▲ **WSK1287 .C**
- ▲ **WSK2487 .C**
- ▲ **WSK2188 .C**
- ▲ **WSK1290 .C**
- ▲ **WSK2490 .C**
- ▲ **WSK1293 .C**
- ▲ **WSK2493 .C**
- ▲ **WSK1296 .C**
- ▲ **WSK2496 .C**
- ▲ **WSK3696 .C**

#### Width x Height x Thickness

- 48" x 34 1/2" x 3/8"
- 96" x 34 1/2" x 3/8"
- 48" x 48" x 3/8"
- 96" x 48" x 3/8"
- 48" x 96" x 3/8"

#### Width x Height x Thickness

- 48" x 34 1/2" x 3/8"
- 96" x 34 1/2" x 3/8"
- 48" x 48" x 3/8"
- 96" x 48" x 3/8"
- 48" x 96" x 3/8"

#### Width x Height x Thickness

- 11 1/4" x 30" x 3/16"
- 20 1/4" x 34 1/2" x 3/16"
- 23 1/4" x 34 1/2" x 3/16"
- 20 1/4" x 36" x 3/16"
- 11 1/4" x 48" x 3/16"
- 48" x 48" x 3/16"
- 96" x 48" x 3/16"
- 11 1/4" x 84" x 3/16"
- 23 1/4" x 84" x 3/16"
- 36" x 84" x 3/16"
- 11 1/4" x 87" x 3/16"
- 23 1/4" x 87" x 3/16"
- 20 1/4" x 88 1/2" x 3/16"
- 11 1/4" x 90" x 3/16"
- 23 1/4" x 90" x 3/16"
- 11 1/4" x 93" x 3/16"
- 23 1/4" x 93" x 3/16"
- 11 1/4" x 96" x 3/16"
- 23 1/4" x 96" x 3/16"
- 36" x 96" x 3/16"
- 11 1/4" x 108" x 3/16"
- 11 1/4" x 120" x 3/16"
- 23 1/4" x 108" x 3/16"
- 23 1/4" x 120" x 3/16"
- 36" x 108" x 3/16"
- 36" x 120" x 3/16"

#### Width x Height x Thickness

- 11 1/4" x 30" x 5/32"
- 20 1/4" x 34 1/2" x 5/32"
- 23 1/4" x 34 1/2" x 5/32"
- 20 1/4" x 36" x 5/32"
- 11 1/4" x 48" x 5/32"
- 48" x 48" x 5/32"
- 96" x 48" x 5/32"
- 11 1/4" x 84" x 5/32"
- 23 1/4" x 84" x 5/32"
- 36" x 84" x 5/32"
- 11 1/4" x 87" x 5/32"
- 23 1/4" x 87" x 5/32"
- 20 1/4" x 88 1/2" x 5/32"
- 11 1/4" x 90" x 5/32"
- 23 1/4" x 90" x 5/32"
- 11 1/4" x 93" x 5/32"
- 23 1/4" x 93" x 2/32"
- 11 1/4" x 96" x 5/32"
- 23 1/4" x 96" x 5/32"
- 36" x 96" x 5/32"

- ◆ Cross grain panel for peninsula application
- ※ (CW) and (CH) are only available on these items
- ▲ Available in Crafted door styles only
- Quartersawn door styles are supplied plain sawn

Grey color coding indicates new product, size or code.

- Painted hardwood supplied for EverCore® and Thermofoil
- Painted or Stained hardwood supplied for Wood-Grain Foil door styles
- Crafted Cherry and Maple door styles supplied plain sawn
- Finished one side only
- Edges are unfinished with no edgingbanding
- ☆ APC is optional for WPL



Remember to order (FPEB) or a (WSK) for wall cabinets that will be at the end of a run when applying decorative moldings. This will result in a flush application on the return



Remember to order a 3/16" skin (WSK) for the exposed ends of 93" & 96" high cabinets to conceal the seam between the loose toe kick and the cabinet.



Remember, the grain on paneling normally runs along the length of the panel. Cross grain means grain goes with the short edge.

- ☆ APC
- ☆ CW
- ☆ CH





## High-Gloss Foil Skin

High-Gloss Foil	Width x Height x Thickness
HGFSK1230	11 1/4" x 30" x 5/32"
HGFSK2134	20 1/4" x 34 1/2" x 5/32"
HGFSK2434	23 1/4" x 34 1/2" x 5/32"
HGFSK2136	20 1/4" x 36" x 5/32"
HGFSK1248	11 1/4" x 48" x 5/32"
HGFSK4848	48" x 48" x 5/32"
★HGFSK9648	96" x 48" x 5/32"
HGFSK1284	11 1/4" x 84" x 5/32"
HGFSK2484	23 1/4" x 84" x 5/32"
HGFSK3684	36" x 84" x 5/32"
HGFSK1287	11 1/4" x 87" x 5/32"
HGFSK2487	23 1/4" x 87" x 5/32"
HGFSK2188	20 1/4" x 88 1/2" x 5/32"
HGFSK1290	11 1/4" x 90" x 5/32"
HGFSK2490	23 1/4" x 90" x 5/32"
HGFSK1293	11 1/4" x 93" x 5/32"
HGFSK2493	23 1/4" x 93" x 5/32"
HGFSK1296	11 1/4" x 96" x 5/32"
HGFSK2496	23 1/4" x 96" x 5/32"
HGFSK3696	36" x 96" x 5/32"
HGFSK12108	11 1/4" x 108" x 5/32"
HGFSK24108	23 1/4" x 108" x 5/32"
HGFSK36108	36" x 108" x 5/32"
HGFSK12120	11 1/4" x 120" x 5/32"
HGFSK24120	23 1/4" x 120" x 5/32"
HGFSK36120	36" x 120" x 5/32"

★ Available with (CW) and (CH)

Grey color coding indicates new product, size or code.

- One-sided High-Gloss Foil
- Edges are unfinished with no edgebanding



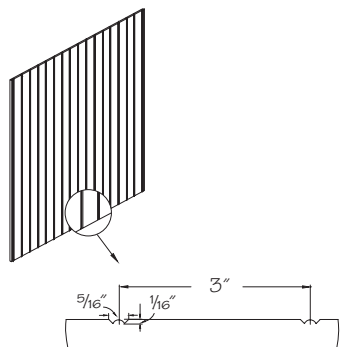
Remember to order "Furniture Ends" (FPEB) or a High-Gloss Skin (HGFSK) for wall cabinets that will be at the end of a run when applying decorative moldings. This will result in a flush application on the return.



Remember to order a skin (HGFSK) for the exposed ends of the 93" and 96" high cabinets to conceal the seam between the loose toe kick and the cabinet.

APC
☆ CW
☆ CH

## Beaded Paneling



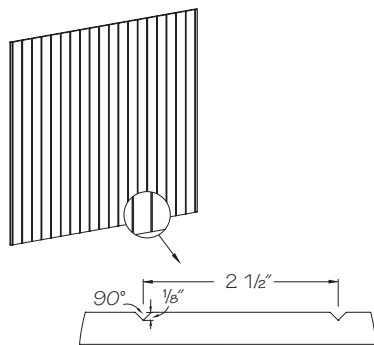
**BEPL4834**  
**BEPL4848**  
**BEPL4896**

Width x Height x Thickness
48" x 34 1/2" x 3/8"
48" x 48" x 3/8"
48" x 96" x 3/8"

- Plywood construction
- Grooves are 3" on center
- Material may need to be trimmed to ensure proper groove spacing when butting panels together
- Quartersawn door styles are supplied plain sawn
- Painted hardwood supplied for EverCore®
- Painted or Stained hardwood supplied for Wood-Grain Foil door styles

APC
CW
CH

## V-Groove Paneling



**VGRPL4834**  
**VGRPL4896**

Width x Height x Thickness
48" x 34 1/2" x 3/8"
48" x 96" x 3/8"

- Plywood construction
- Grooves are 2 1/2" on center
- Material may need to be trimmed to ensure proper groove spacing when butting panels together
- Crafted door styles will be supplied in plain sawn wood
- Quartersawn door styles are supplied plain sawn
- Painted hardwood supplied for EverCore®
- Painted or Stained hardwood supplied for Wood-Grain Foil door styles

APC
CW
CH

## Specialty Panels

APC  
CW  
CH

Code	Width x Height	For 30" High Walls and 34 1/2" High Bases and Vanities	Width x Height	For 60" High Talls	Width x Height	
<b>SPL4830</b>	48" x 30"	<b>SPL1230</b>	11 7/8" x 30"	<b>SPL1259</b>	11 7/8" x 55 1/2"	<ul style="list-style-type: none"> <li>• 3/4" thick</li> <li>• Panels are made to blend with cabinet doors</li> <li>• Backs of High gloss panels are matte and correspond in color to the face</li> <li>• Available for High-Gloss Foil and Wood-Grain Foil door styles only</li> <li>• Wood-Grain Foil door styles default to vertical design slab</li> </ul>
<b>SPL4836</b>	48" x 36"	<b>SPL1530</b>	14 7/8" x 30"	<b>SPL1559</b>	14 7/8" x 55 1/2"	
<b>SPL9636</b>	96" x 36"	<b>SPL1830</b>	17 7/8" x 30"	<b>SPL1859</b>	17 7/8" x 55 1/2"	
<b>SPL4840</b>	48" x 40"	<b>SPL2130</b>	20 7/8" x 30"	<b>SPL2159</b>	20 7/8" x 55 1/2"	
<b>SPL9640</b>	96" x 40"			<b>SPL2459</b>	23 7/8" x 55 1/2"	
<b>SPL4848</b>	48" x 48"	<i>For 30" High Walls and 34 1/2" High Bases</i>		<i>For 60" High Wall Microwaves</i>		
<b>SPL9648</b>	96" x 48"	<b>SPL2430</b>	23 7/8" x 30"	<b>SPL1260</b>	11 7/8" x 60"	
<b>SPL2796</b>	27" x 96"	<i>For 33" High Walls</i>		<b>SPL1560</b>	14 7/8" x 60"	
<b>SPL3296</b>	32" x 96"	<b>SPL1233</b>	11 7/8" x 33"	<b>SPL1860</b>	17 7/8" x 60"	
<b>SPL4896</b>	48" x 96"	<b>SPL1533</b>	14 7/8" x 33"	<b>SPL2160</b>	20 7/8" x 60"	
<i>For 12" High Walls</i>		<b>SPL1833</b>	17 7/8" x 33"	<b>SPL2460</b>	23 7/8" x 60"	
<b>SPL1212</b>	11 7/8" x 12"	<b>SPL2133</b>	20 7/8" x 33"	<i>For 84" High Talls</i>		
<b>SPL1512</b>	14 7/8" x 12"	<b>SPL2433</b>	23 7/8" x 33"	<b>SPL1280</b>	11 7/8" x 79 1/2"	
<b>SPL1812</b>	17 7/8" x 12"	<i>For 34 1/2" High Vanities</i>		<b>SPL1580</b>	14 7/8" x 79 1/2"	
<b>SPL2112</b>	20 7/8" x 12"	<b>SPL2134</b>	20 7/8" x 34 1/2"	<b>SPL1880</b>	17 7/8" x 79 1/2"	
<b>SPL2412</b>	23 7/8" x 12"	<b>SPL2434</b>	23 7/8" x 34 1/2"	<b>SPL2180</b>	20 7/8" x 79 1/2"	
<i>For 15" High Walls</i>		<i>For 36" High Walls and 40 1/2" High Bases</i>		<b>SPL2480</b>	23 7/8" x 79 1/2"	
<b>SPL1215</b>	11 7/8" x 15"	<b>SPL1236</b>	11 7/8" x 36"	<b>SPL2484</b>	23 7/8" x 84"	
<b>SPL1515</b>	14 7/8" x 15"	<b>SPL1536</b>	14 7/8" x 36"	<i>For 87" High Talls</i>		
<b>SPL1815</b>	17 7/8" x 15"	<b>SPL1836</b>	17 7/8" x 36"	<b>SPL1283</b>	11 7/8" x 82 1/2"	
<b>SPL2115</b>	20 7/8" x 15"	<b>SPL2136</b>	20 7/8" x 36"	<b>SPL1583</b>	14 7/8" x 82 1/2"	
<b>SPL2415</b>	23 7/8" x 15"	<b>SPL2436</b>	23 7/8" x 36"	<b>SPL1883</b>	17 7/8" x 82 1/2"	
<i>For 18" High Walls</i>		<i>For 39" High Walls</i>		<b>SPL2183</b>	20 7/8" x 82 1/2"	
<b>SPL1218</b>	11 7/8" x 18"	<b>SPL1239</b>	11 7/8" x 39"	<b>SPL2483</b>	23 7/8" x 82 1/2"	
<b>SPL1518</b>	14 7/8" x 18"	<b>SPL1539</b>	14 7/8" x 39"	<b>SPL2487</b>	23 7/8" x 87"	
<b>SPL1818</b>	17 7/8" x 18"	<b>SPL1839</b>	17 7/8" x 39"	<i>For 88 1/2" High Vanities</i>		
<b>SPL2118</b>	20 7/8" x 18"	<b>SPL2139</b>	20 7/8" x 39"	<b>SPL1284</b>	11 7/8" x 84"	
<b>SPL2418</b>	23 7/8" x 18"	<b>SPL2439</b>	23 7/8" x 39"	<b>SPL1584</b>	14 7/8" x 84"	
<i>For 21" High Walls</i>		<i>For 42" High Walls</i>		<b>SPL1884</b>	17 7/8" x 84"	
<b>SPL1221</b>	11 7/8" x 21"	<b>SPL1242</b>	11 7/8" x 42"	<b>SPL2184</b>	20 7/8" x 84"	
<b>SPL1521</b>	14 7/8" x 21"	<b>SPL1542</b>	14 7/8" x 42"	<i>For 90" High Talls</i>		
<b>SPL1821</b>	17 7/8" x 21"	<b>SPL1842</b>	17 7/8" x 42"	<b>SPL1285</b>	11 7/8" x 85 1/2"	
<b>SPL2121</b>	20 7/8" x 21"	<b>SPL2142</b>	20 7/8" x 42"	<b>SPL1585</b>	14 7/8" x 85 1/2"	
<b>SPL2421</b>	23 7/8" x 21"	<b>SPL2442</b>	23 7/8" x 42"	<b>SPL1885</b>	17 7/8" x 85 1/2"	
<i>For 24" High Walls</i>		<i>For 45" High Wall Microwaves</i>		<b>SPL2185</b>	20 7/8" x 85 1/2"	
<b>SPL1224</b>	11 7/8" x 23 1/2"	<b>SPL1245</b>	11 7/8" x 45"	<b>SPL2485</b>	23 7/8" x 85 1/2"	
<b>SPL1524</b>	14 7/8" x 23 1/2"	<b>SPL1845</b>	17 7/8" x 45"	<b>SPL2490</b>	23 7/8" x 90"	
<b>SPL1824</b>	17 7/8" x 23 1/2"	<b>SPL2145</b>	20 7/8" x 45"	<i>For 93" High Talls</i>		
<b>SPL2124</b>	20 7/8" x 23 1/2"	<b>SPL2445</b>	23 7/8" x 45"	<b>SPL1288</b>	11 7/8" x 88 1/2"	
<b>SPL2424</b>	23 7/8" x 23 1/2"	<i>For 48" High Walls</i>		<b>SPL1588</b>	14 7/8" x 88 1/2"	
<i>For 29" High Desk Cabinets</i>		<b>SPL1248</b>	11 7/8" x 48"	<b>SPL1888</b>	17 7/8" x 88 1/2"	
<b>SPL1225</b>	11 7/8" x 24 1/2"	<b>SPL1548</b>	14 7/8" x 48"	<b>SPL2188</b>	20 7/8" x 88 1/2"	
<b>SPL1525</b>	14 7/8" x 24 1/2"	<b>SPL1848</b>	17 7/8" x 48"	<b>SPL2488</b>	23 7/8" x 88 1/2"	
<b>SPL1825</b>	17 7/8" x 24 1/2"	<b>SPL2148</b>	20 7/8" x 48"	<b>SPL2493</b>	23 7/8" x 93"	
<b>SPL2125</b>	20 7/8" x 24 1/2"	<b>SPL2448</b>	23 7/8" x 48"	<i>For 96" High Talls</i>		
<b>SPL2425</b>	23 7/8" x 24 1/2"	<i>For 54" High Walls</i>		<b>SPL1291</b>	11 7/8" x 91 1/2"	
<b>SPL2429</b>	23 7/8" x 29"	<b>SPL1254</b>	11 7/8" x 54"	<b>SPL1591</b>	14 7/8" x 91 1/2"	
<i>For 27" High Walls</i>		<b>SPL1554</b>	14 7/8" x 54"	<b>SPL1891</b>	17 7/8" x 91 1/2"	
<b>SPL1227</b>	11 7/8" x 27"	<b>SPL1854</b>	17 7/8" x 54"	<b>SPL2191</b>	20 7/8" x 91 1/2"	
<b>SPL1527</b>	14 7/8" x 27"	<b>SPL2154</b>	20 7/8" x 54"	<b>SPL2491</b>	23 7/8" x 91 1/2"	
<b>SPL1827</b>	17 7/8" x 27"	<b>SPL2454</b>	23 7/8" x 54"	<b>SPL2496</b>	23 7/8" x 96"	
<b>SPL2127</b>	20 7/8" x 27"					
<b>SPL2427</b>	23 7/8" x 27"					

- Unavailable in Wood-Grain Foil door styles
- \* Covers the entire end panel
- ▲ Covers the entire end panel of 60" High Talls

## Specialty Panels - Customizable

For 96" High Talls  
**SPLC**

Grey color coding indicates new product, size or code.

- Customizable 3/4" thick panel; 1/16" increments
- High-Gloss Foil door styles:
  - One side High-Gloss Foil; one side corresponding matte material
  - All four sides edgebanded with matching High-Gloss material
- Wood-Grain Foil door styles:
  - two-sided matching Wood-Grain Foil
  - All four sides edgebanded with matching Wood-Grain material
- Available in High-Gloss and Wood-Grain Foil door styles only; Wood-Grain Foil door styles default to vertical design slab
- Panel is intended to be used in an "End Panel" application
- Options to change grain orientation for Wood-Grain Foils are unavailable
- Priced per square foot

APC  
CW  
CH

Back Panel	
Minimum Width	6"
Maximum Width	32"
Minimum Height	12"
Maximum Height	96"



## Vinyl Paneling

Exterior (matching) one side

Product Code	Width x Height x Thickness
<b>VSK1230</b>	11 1/4" x 30" x 1/8"
<b>VSK2134</b>	20 1/4" x 34 1/2" x 1/8"
<b>VSK2434</b>	23 1/4" x 34 1/2" x 1/8"
<b>VSK4834</b>	48" x 34 1/2" x 1/8"
<b>VSK2136</b>	20 1/4" x 36" x 1/8"
<b>VSK1248</b>	11 1/4" x 48" x 1/8"
<b>VSK1284</b>	11 1/4" x 84" x 1/8"
<b>VSK2484</b>	23 1/4" x 84" x 1/8"
<b>VSK1287</b>	11 1/4" x 87" x 1/8"
<b>VSK2487</b>	23 1/4" x 87" x 1/8"
<b>VSK2188</b>	20 1/4" x 88 1/2" x 1/8"
<b>VSK1290</b>	11 1/4" x 90" x 1/8"
<b>VSK2490</b>	23 1/4" x 90" x 1/8"
<b>VSK1293</b>	11 1/4" x 93" x 1/8"
<b>VSK2493</b>	23 1/4" x 93" x 1/8"
<b>VSK1296</b>	11 1/4" x 96" x 1/8"
<b>VSK2496</b>	23 1/4" x 96" x 1/8"
* <b>VSK4896</b>	48" x 96" x 1/8"
<b>VPL4834 EXT1</b>	48" x 34 1/2" x 1/2"
* <b>VPL4896 EXT1</b>	48" x 96" x 1/2"

Exterior (matching) two sides

Product Code	Width x Height x Thickness
<b>VPL4834 EXT2</b>	48" x 34 1/2" x 1/2"
* <b>VPL4896 EXT2</b>	48" x 96" x 1/2"

Interior (Natural Birch) one side

Product Code	Width x Height x Thickness
<b>VSK4848 INT</b>	48" x 48" x 1/8"
<b>VSK4896 INT</b>	48" x 96" x 1/8"
<b>VPL4848 INT1</b>	48" x 48" x 1/2"
* <b>VPL4896 INT1</b>	48" x 96" x 1/2"

Interior (Natural Birch) two sides

Product Code	Width x Height x Thickness
* <b>VPL4896 INT2</b>	48" x 96" x 1/2"

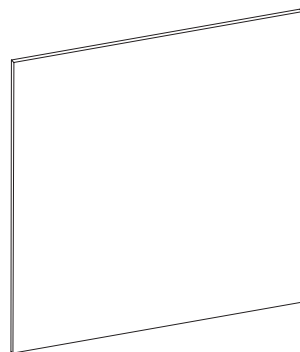
\* (CW) and (CH) are only available on these items

APC
☆ CW
☆ CH

- Vinyl paneling is finished one side except as indicated
- Edges are unfinished with no edgebanding
- Quartersawn door styles are supplied plain sawn



Remember that most flat panels will not take glaze or highlight finishes like doors and molding due to little or no hang-up. When choosing a glaze or highlight finish, consider using a matching end panel on exposed ends of cabinets.

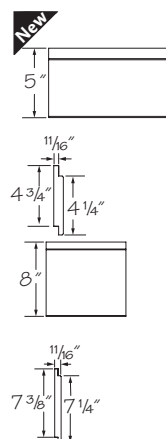


## CoreGuard® Panel Backer

Product Code	Width x Height x Thickness
<b>CGPB36</b>	34 29/64" x 26 13/32" x 1/8"

- Light beige colored engineered polymer
- Used to patch backs of CoreGuard® cabinets

APC
CW
CH



## Ship Lap Plank

96" x 5"
<b>SHLP8 .5</b>
96" x 8"
<b>SHLP8 .8</b>

Grey color coding indicates new product, size or code.

- MDF core material
- Available in Painted finishes only; excludes paints with other finish treatments
- Available in Maple and EverCore® door styles only; MDF core supplied for Maple and EverCore® door styles
- Offered in 8' lengths



Consider using a Corner Molding to give the final layout a finished look



Do not use in areas where water can collect on the product

APC
CW
CH

# Shelf Kits

## Construction Options and Modifications

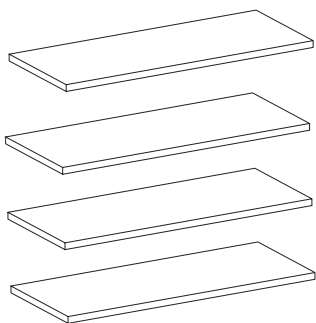
- APC All Plywood Construction
- MI Matching Interior
- CW Change Width
- RD Reduced Depth
- ID Increased Depth

<b>SK</b>	<b>15</b>	<b>24</b>
code	width	height

- ❖ Included as standard
- Available with an upcharge
- ☆ Available with exceptions
- (Blank) Unavailable

Material dimensions listed may vary slightly from actual dimensions of the product. Specifications subject to change without notice.

### Shelf Kits



#### 12" Deep

- SK912
- SK1212
- SK1512
- SK1812
- SK2112
- SK2412
- SK2712
- SK3012
- SK3312
- SK3612

#### 18" Deep

- SK918
- SK1218
- SK1518
- SK1818
- SK2118
- SK2418
- SK2718
- SK3018
- SK3318
- SK3618

#### 21" Deep

- SK921
- SK1221
- SK1521
- SK1821
- SK2121
- SK2421
- SK2721
- SK3021
- SK3321
- SK3621

#### 24" Deep

- SK924
- SK1224
- SK1524
- SK1824
- SK2124
- SK2424
- SK2724
- SK3024
- SK3324
- SK3624

○ (CW) option unavailable

#### For Operational End Option

#### 12" Deep

- SK912 .OE
- SK1212 .OE
- SK1512 .OE
- SK1812 .OE
- SK2112 .OE
- SK2412 .OE
- SK2712 .OE
- SK3012 .OE
- SK3312 .OE
- SK3612 .OE

#### For Operational End Option

#### 18" Deep

- SK918 .OE
- SK1218 .OE
- SK1518 .OE
- SK1818 .OE
- SK2118 .OE
- SK2418 .OE
- SK2718 .OE
- SK3018 .OE
- SK3318 .OE
- SK3618 .OE

#### For Operational End Option

#### 21" Deep

- SK921 .OE
- SK1221 .OE
- SK1521 .OE
- SK1821 .OE
- SK2121 .OE
- SK2421 .OE
- SK2721 .OE
- SK3021 .OE
- SK3321 .OE
- SK3621 .OE

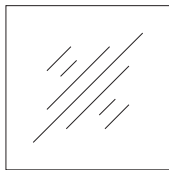
#### For Operational End Option

#### 24" Deep

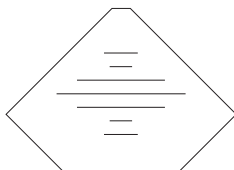
- SK924 .OE
- SK1224 .OE
- SK1524 .OE
- SK1824 .OE
- SK2124 .OE
- SK2424 .OE
- SK2724 .OE
- SK3024 .OE
- SK3324 .OE
- SK3624 .OE

- Four 3/4" vinyl laminated shelves
- Edgebanded one long edge
- Operational End Shelves (.OE) are edgebanded on the front, right and left edges to ensure a finished edge on shelves when the side door is open
- (ID) available on 24" deep shelves only, up to 27" deep
- Sixteen shelf clips included
- Recommended for tall cabinets

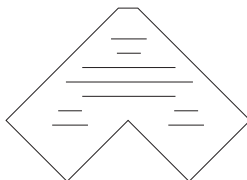
- APC
- MI
- ☆ CW
- RD
- ID



**GSK**



**GSKWA**



**GSKWZ**

## Glass Shelf Kits

- **GSK9**
  - **GSK12**
  - **GSK15**
  - **GSK18**
  - **GSK21**
  - **GSK24**
  - **GSK27**
  - ◆ **GSK30**
  - ◆ **GSK33**
  - ◆ **GSK36**
  - ◆ **GSK39**
  - ◆ **GSK42**
  - ◆ **GSK45**
  - ◆ **GSK48**
  - ▲ **GSK1815**
  - **GSK1218**
  - **GSK1518**
  - **GSK1818**
  - **GSK1221**
  - **GSK1521**
  - **GSK1821**
  - **GSK2124**
  - **GSKWA24**
  - **GSKWA27**
  - **GSKPWA**
  - **GSKWZ21**
  - **GSKWZ24**
- For Wall Angle*
- For Peninsula Wall Angle*
- For Easy Reach*
- For cabinets with beaded or V-Groove back*
- **VGSK9**
  - **VGSK12**
  - **VGSK15**
  - **VGSK18**
  - **VGSK21**
  - **VGSK24**
  - **VGSK27**
  - **VGSK30**
  - **VGSK33**
  - **VGSK36**
  - **VGSK39**
  - **VGSK42**
  - **VGSK45**
  - **VGSK48**
  - **VGSK1218**
  - **VGSK1518**
  - **VGSK1818**
  - **VGSK1221**
  - **VGSK1521**
  - **VGSK1821**
  - **VGSKWA24**
  - **VGSKWA27**
  - **VGSKWZ21**
  - **VGSKWZ24**
- For cabinets with increased depth*
- **GSK9 .ID15**
  - **GSK12 .ID15**
  - **GSK15 .ID15**
  - **GSK18 .ID15**
  - **GSK21 .ID15**
  - **GSK24 .ID15**
- For cabinets with beaded or V-Groove back and increased depth*
- **VGSK9 .ID15**
  - **VGSK12 .ID15**
  - **VGSK15 .ID15**
  - **VGSK18 .ID15**
  - **VGSK21 .ID15**
  - **VGSK24 .ID15**

- Fits peninsula and standard wall cabinets
- Includes two 1/4" glass shelves polished edge all four sides and 12 glass shelf rests
- Glass shelves are unable to be field installed in a WA 24" high cabinet; opening is too small
- Tempered glass

☆ Min. (RD) is 9"

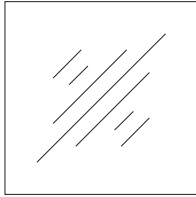
APC
MI
☆ CW
☆ RD
ID

○ (CW) option unavailable

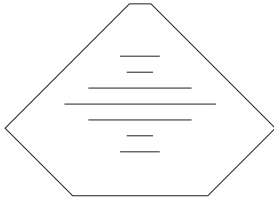
◆ Unable to be used with W3030 BUTT, W3630 BUTT or any open cabinets 30" or wider. A center stile is needed for support

▲ Three shelves per kit

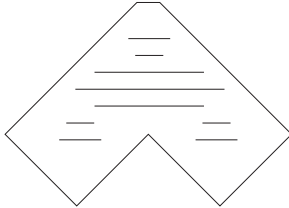
■ Unavailable in (RD)



**AGSK**



**AGSKWA**



**AGSKWZ**

**Glass Shelf Kit w/Adjustable Shelf Clips**

- AGSK12**
- AGSK15**
- AGSK18**
- AGSK21**
- AGSK24**
- AGSK27**
- ◆ **AGSK30**
- ◆ **AGSK33**
- ◆ **AGSK36**
- ◆ **AGSK39**
- ◆ **AGSK42**
- ◆ **AGSK45**
- ◆ **AGSK48**
- ▲ **AGSK1815**
- **AGSK1218**
- **AGSK1518**
- **AGSK1818**
- **AGSK1221**
- **AGSK1521**
- **AGSK1821**
- **AGSK2124**

*For Wall Angle*

- **AGSKWA24**
- **AGSKWA27**

*For Peninsula Wall Angle*

- **AGSKPWA**

*For Easy Reach*

- **AGSKWZ24**

*For cabinets with beaded or V-Groove back*

- AVGSK12**
- AVGSK15**
- AVGSK18**
- AVGSK21**
- AVGSK24**
- AVGSK27**
- ◆ **AVGSK30**
- ◆ **AVGSK33**
- ◆ **AVGSK36**
- ◆ **AVGSK39**
- ◆ **AVGSK42**
- ◆ **AVGSK45**
- ◆ **AVGSK48**
- **AVGSK1218**
- **AVGSK1518**
- **AVGSK1818**
- **AVGSK1221**
- **AVGSK1521**
- **AVGSK1821**
- **AVGSKWA24**
- **AVGSKWA27**
- **AVGSKWZ24**

*For cabinets with increased depth*

- **AGSK12 .ID15**
- **AGSK15 .ID15**
- **AGSK18 .ID15**
- **AGSK21 .ID15**
- **AGSK24 .ID15**

*For cabinets with beaded or V-Groove back and increased depth*

- **AVGSK12 .ID15**
- **AVGSK15 .ID15**
- **AVGSK18 .ID15**
- **AVGSK21 .ID15**
- **AVGSK24 .ID15**

- ◆ Unable to be used with W3030 BUTT, W3630 BUTT or any open cabinets 30" or wider. A center stile is needed for support
- ▲ Three shelves per kit
- Unavailable in (RD)
- (CW) option unavailable

- Fits peninsula and standard wall cabinets
- Includes two 1/4" glass shelves polished edge all four sides and ten adjustable shelf clips
- Glass shelves are unable to be field installed in a WA 24" high cabinet; opening is too small
- Tempered glass

APC
MI
☆ CW
☆ RD
ID

# Roll-out Trays

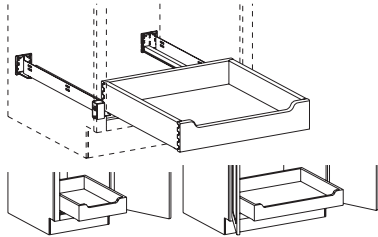
## Construction Options and Modifications

APC All Plywood Construction  
 MI Matching Interior  
 CW Change Width

<b>DXROT</b>	<b>12</b>	<b>•24</b>
code	width	depth

- ❖ Included as standard
- Available with an upcharge
- ☆ Available with exceptions
- (Blank) Unavailable

Material dimensions listed may vary slightly from actual dimensions of the product. Specifications subject to change without notice.



Available only in the width configurations shown

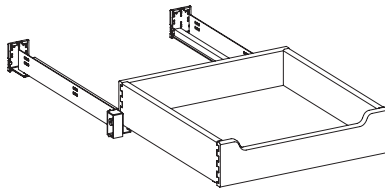
### Deluxe Dovetailed Roll-out Tray Factory Installed

- 1DXROT
- 2DXROT
- 3DXROT
- 4DXROT
- 5DXROT
- 6DXROT

- Roll-out Trays are 4" deep, 5/8" solid wood dovetailed sides with 3/16" plywood bottom, notched front and full extension runners with integrated soft close feature
- 18", 21" and 24" depths only
- Single Rollout trays are mounted in the center replacing the adjustable shelf
- Tray location is adjustable
- Unavailable on double door cabinets with a center stile; order on cabinets with BUTT doors. Unavailable with Mullion Strip options (MSB, MSPBK, MSUB). Order Example: B30Butt-2DXROT; B36BUTT-1DXROT
- Unavailable with 39", 42", 45", or 48" wide cabinets
- Unavailable on Utility Cabinets 27"-36" wide
- Unavailable with Peninsula cabinets
- Trays are spaced unevenly

APC  
 MI  
 CW

### Deluxe Dovetailed Roll-out Tray Field Installation



- DXROT12.24 .21 .18
- DXROT15.24 .21 .18
- DXROT16.24 .21 .18
- DXROT18.24 .21 .18
- DXROT19.24 .21 .18
- DXROT21.24 .21 .18
- DXROT22.24 .21 .18
- DXROT24.24 .21 .18
- DXROT27.24 .21 .18
- DXROT30.24 .21 .18
- DXROT33.24 .21 .18
- DXROT36.24 .21 .18

○ (CW) option unavailable

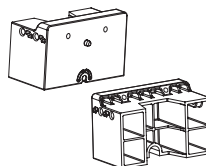
Grey color coding indicates new product, size or code.

Center Stile Mounting Block  
 DXROT .CS

- Roll-out Trays are 4" deep, 5/8" solid wood dovetailed sides with 3/16" plywood bottom, notched front and full extension runners with integrated buffer
- 18", 21" and 24" depths only
- Tray location is adjustable
- Mounting hardware and runners included
- Trays unable to be installed in the lowest position of a Knife Hinged cabinet. The hinge interferes with the tray's function
- DXROT.CS:
- DXROT.CS is required for side-by-side Roll-out Tray installation on cabinets with a center stile
- Qty 1 DXROT.CS will accommodate two side-by-side trays
- Qty 2 DXROT.CS required if the trays are preferred to be offset
- Unavailable with Peninsula cabinets

APC  
 MI  
 ☆ CW

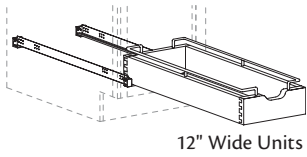
Deluxe Dovetail Roll-out Tray Field Installation Chart	
Cabinet	(Max) #DXROTs
Base	3
Base w/Center Stile	6
Base•FH	4
Base•FH w/Center Stile	8
Base•FH•40	5
Base•FH•40 w/Center Stile	10
Tall	10
Tall w/Center Stile	20
Desk	2
Desk w/Center Stile	4
Desk•FH	3
Desk•FH w/Center Stile	6
Vanity	3
Vanity w/Center Stile	6
Vanity•FH	4
Vanity•FH w/Center Stile	8
VLC 88 1/2" H	6 (Top) / 4 (Bottom)
VLC 88 1/2" H w/Center Stile	12 (Top) / 8 (Bottom)



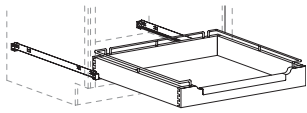
DXROT.CS

### Chrome Deluxe Roll-out Tray Factory Installed

APC  
MI  
CW



12" Wide Units



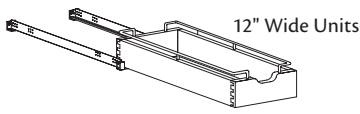
15" - 36" Wide Units

**1SDXR0T**  
**2SDXR0T**  
**3SDXR0T**  
**4SDXR0T**  
**5SDXR0T**  
**6SDXR0T**

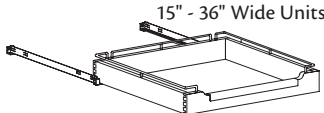
- Roll-out Trays are 5" deep, including rails, 5/8" solid wood dovetailed sides with 1 1/2" chrome rails on sides and back, 3/16" plywood bottom, notched front with chrome pull and full extension runners with integrated buffer
- 18", 21" and 24" depths only
- Shelves are eliminated when this option is selected
- Tray location is adjustable
- Unavailable on double door cabinets with a center stile; order on cabinets with BUTT doors. Unavailable with Mullion Strip options (MSB, MSPBK, MSUB). Order Example: B30Butt-2DXROT; B36BUTT-1DXROT
- Order Chrome Deluxe Roll-out for cabinets that do **not** have center stiles; includes cabinets with BUTT doors. Order Example: B36BUTT-2SDXR0T
- Full-width trays are unavailable in 39", 42", 45" or 48"
- Unavailable on Utility Cabinets 27"-36" wide
- Trays are spaced unevenly
- Unavailable with Peninsula cabinets
- Mounting hardware and runners included
- Front chrome pullout is unavailable on trays for 12" wide cabinets

### Chrome Deluxe Roll-out Tray Field Installation

APC  
MI  
CW



12" Wide Units



15" - 36" Wide Units

Chrome Deluxe Roll-out Tray  
Field Installation Chart

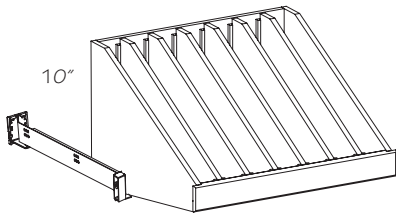
Cabinet	(Max) #SDXR0Ts
Base	3
Base.FH	4
Base.FH.40	5
Tall	10
Desk	2
Desk.FH	3
Vanity	3
Vanity.FH	4
VLC 88 1/2" H	6 (Top) / 4 (Bottom)

**SDXR0T12.24.21.18**  
**SDXR0T15.24.21.18**  
**SDXR0T18.24.21.18**  
**SDXR0T21.24.21.18**  
**SDXR0T24.24.21.18**  
**SDXR0T27.24.21.18**  
**SDXR0T30.24.21.18**  
**SDXR0T33.24.21.18**  
**SDXR0T36.24.21.18**

- Roll-out Trays are 5 1/2" deep, including rails, 5/8" solid wood dovetailed sides with 1 1/2" chrome rails on sides and back, 3/16" plywood bottom, notched front with chrome pull and full extension runners with integrated soft close feature
- 18", 21" and 24" depths only
- Single Rollout trays are mounted in the center replacing the adjustable shelf
- Tray location is adjustable
- Unavailable on double door cabinets with a center stile; order on cabinets with BUTT doors. Unavailable with Mullion Strip options (MSB, MSPBK, MSUB). Order Example: B30BUTT-2SDXR0T; B36BUTT-1SDXR0T
- Unavailable with 39", 42", 45", or 48" wide cabinets
- Unavailable with Peninsula cabinets
- Trays are spaced unevenly

### Roll-out Tray Divided Kit Field Installation

APC  
MI  
CW



Roll-out Tray Divided Kit  
Field Installation Chart

Cabinet	(Max) #SDXR0Ts
Base	1
Base.FH	1
Base.FH.40	1
Tall	1
Desk	N/A
Desk.FH	N/A
Vanity	N/A
Vanity.FH	N/A
VLC 88 1/2" H	N/A (Top) / 1 (Bottom)

**ROTDK12.24** 3 compartments  
**ROTDK15.24** 4 compartments  
**ROTDK18.24** 5 compartments  
**ROTDK21.24** 6 compartments  
**ROTDK24.24** 7 compartments  
**ROTDK27.24** 8 compartments  
**ROTDK30.24** 9 compartments  
**ROTDK33.24** 10 compartments  
**ROTDK36.24** 11 compartments

- Tray is 2 1/4" high at front and 10" high at back
- Includes full extension soft close runners
- 24" depth only
- Solid wood dovetail construction
- Unavailable with Peninsula cabinets



# Molding

## Construction Options and Modifications

- A Alder
- C Cherry
- E EverCore®
- H Hickory
- TH Thermofoil
- HG High-Gloss Foil
- WG Wood-Grain Foil
- M Maple
- O Oak
- QS Quartersawn

<b>ACM</b>	<b>8</b>
code	length

- ❖ Included as standard
- Available with an upcharge
- ☆ Available with exceptions
- (Blank) Unavailable

There are numerous molding offerings for decorative and finished applications and are available in some or all wood species. Material dimensions listed may vary slightly from actual dimensions of the product.

All components ordered in quartersawn door styles will be supplied as plain sawn oak unless otherwise noted. Moldings for High-Gloss door styles will be supplied with a matte sheen.

Specifications subject to change without notice.

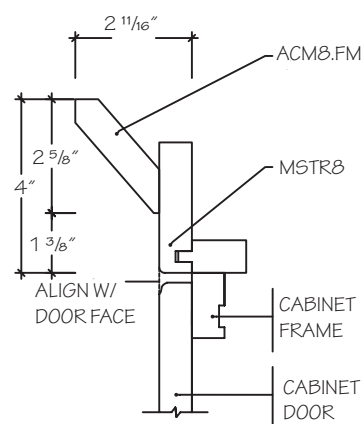
**Note:** Heavy, dark lines indicate finished surfaces.

### Molding Stack Information



#### Supplies for installation

- Miter saw and sharp blade
- Screw gun, drill and bits
- 23 and 18 gauge pins and pinners
- Air compressor and hoses
- Laser or level
- Touch up kit and materials
- White soft rag
- Wood glue
- Clamps
- Hammer, nail set or spring loaded nail set
- Tape measure
- 4 ft. and 6 ft. ladder
- #2 pencil, white pencil and sharpener
- Cover for work area



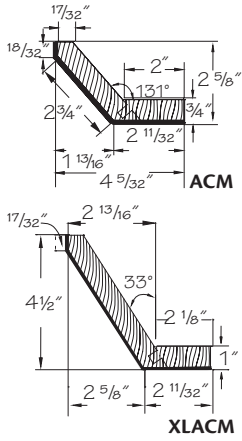
#### • Installation Tips:

- Cover countertops and work area to ensure a clean, free from damage work situation.
- Use a nail gun with a 23 gauge pin for trim. Standard is typically 18 gauge, however the 23 gauge micro pin makes smallest holes to minimize fill work.
- Expect to lose up to 4" - 6 1/2" per cut, so plan extra molding accordingly. Always order one or two extra pieces of molding to make up the cut loss which could be up to 3" per cut to ensure the moldings are at the job site for a timely installation. Ordering additional molding after the fact to complete the job means the molding is **not** pulled as a group or run at the same time of color application.
- Consider staining cut edges before installing them together. This added step will visually conceal the installation joinery, especially if wall situation and molding cuts are **not** precise. Painted molding installation would be virtually the same recommendation as for stain.
- When starting with your molding setting, start from either side, pull from the wall and determine overhang to wall cabinetry and door overlay type. Setting a consistent pattern, such as right to left, or left to right provides a consistent plan. Apply this same strategy with the starter molding if this is a functional piece.
- We recommend using a starter molding, but wood blocking can assist installation. Any scrap can be used as blocking.
- Side return moldings: Decorative end panels should have same overhang as the front; Flush end panels, should have approximately 1/4" overhang; Under cabinet moldings should also meet door profile.
- You can shoot an 18 gauge pin from 1/2" to 2" in depth to shoot from the top if you don't have room between the ceiling and the face frame. Drilling and screwing through the bottom of the upper top rail into the molding in a secure fashion. Glue all miters when accessible.
- Use your touch up kit crayon to fill all miters and pin holes during installation. Wipe away excess with a soft cotton white rag to ensure a successful blend. The touch-up marker can be used to touch up any scratches and to help blend the crayon color.
- Using construction adhesive when appropriate to secure the crown to the starter strip.



To add Molding Stacks in your 2020 Design, locate them in the Drag and Drop list under: Moldings>Top Moldings>Pre-Stacked Moldings. To view the PDFs, right-click on a specific stack and go to specs.

### Angle Crown Molding



**ACM8**  
**ACM10**  
Extra Large  
**XLACM8**  
**XLACM10**

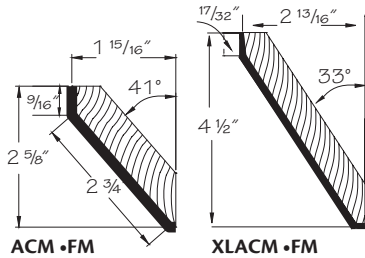
- Solid wood
- Angle Crown Molding has foil-wrapped MDF and Extra Large Angle Crown Molding has painted hardwood supplied for White Thermofoil
- Painted hardwood supplied for EverCore®, Thermofoil and 10' molding
- Plain sawn material supplied for Crafted door styles
- Will have rustic characteristics when ordered in rustic door styles
- The mounting cleat is finished but is **not** a matching wood species to the face
- The mounting cleat is **not** intended to be exposed after installation
- Offered in 8' and 10' lengths

❖	A
❖	C
❖	E
❖	H
❖	TH
	HG
❖	WG
❖	M
❖	O
❖	QS



Remember to order (FPEB) or a (WSK) for wall cabinets that will be at the end of a run when applying decorative moldings. This will result in a flush application on the return

### Angle Crown Molding – Face-Mount

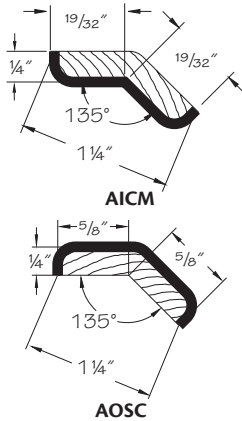


**ACM8 .FM**  
**ACM10 .FM**  
Extra Large  
**XLACM8 .FM**  
**XLACM10 .FM**

- Solid wood
- Painted hardwood supplied for EverCore® and Thermofoil
- Painted or Stained hardwood supplied for Wood-Grain Foil door styles
- Will have rustic characteristics when ordered in rustic door styles
- Offered in 8' and 10' lengths

❖	A
❖	C
❖	E
❖	H
❖	TH
	HG
❖	WG
❖	M
❖	O
❖	QS

### Angled Corner Molding

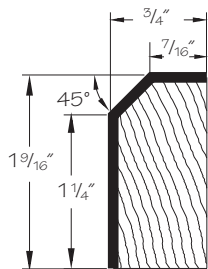


Inside  
**AICM8**  
Outside  
**AOSC8**

- Solid wood
- Painted hardwood supplied for EverCore® and Thermofoil
- Painted or Stained hardwood supplied for Wood-Grain Foil door styles
- Crafted door styles will be supplied in plain sawn wood
- Offered in 8' lengths

❖	A
❖	C
❖	E
❖	H
❖	TH
	HG
❖	WG
❖	M
❖	O
❖	QS

### Angled Wood Edge



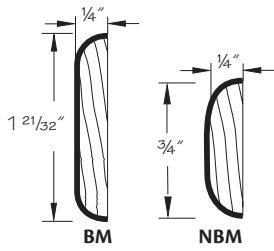
**AWE8**

- Solid wood
- Painted hardwood supplied for EverCore® and Thermofoil
- Painted or Stained hardwood supplied for Wood-Grain Foil door styles
- Crafted door styles will be supplied in plain sawn wood
- Offered in 8' lengths

❖	A
❖	C
❖	E
❖	H
❖	TH
	HG
❖	WG
❖	M
❖	O
❖	QS

## Batten Molding

**BM8**  
Narrow  
**NBM8**

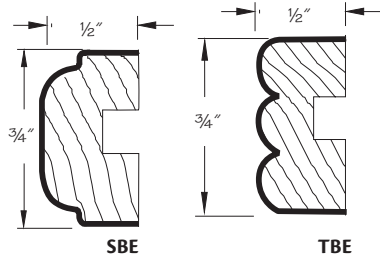


- Solid wood
- Painted hardwood supplied for EverCore® and Thermofoil
- Painted or Stained hardwood supplied for Wood-Grain Foil door styles
- Crafted door styles will be supplied in plain sawn wood
- Offered in 8' lengths

❖	A
❖	C
❖	E
❖	H
❖	TH
❖	HG
❖	WG
❖	M
❖	O
❖	QS

## Bead Edging

Single  
**SBE8**  
Triple  
**TBE8**

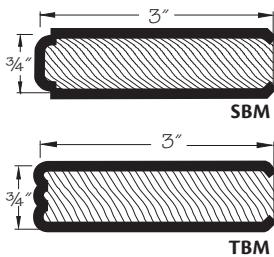


- Solid wood
- Painted hardwood supplied for EverCore® and Thermofoil
- Painted or Stained hardwood supplied for Wood-Grain Foil door styles
- Crafted door styles will be supplied in plain sawn wood
- Offered in 8' lengths

❖	A
❖	C
❖	E
❖	H
❖	TH
❖	HG
❖	WG
❖	M
❖	O
❖	QS

## Bead Molding

Single  
**SBM8**  
Triple  
**TBM8**

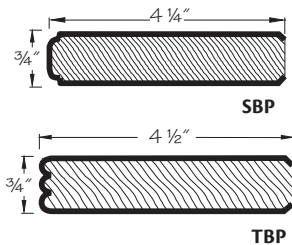


- Solid wood
- Painted hardwood supplied for EverCore® and Thermofoil, except for Single Bead Molding, which is foil-wrapped MDF supplied for White Thermofoils
- Painted or Stained hardwood supplied for Wood-Grain Foil door styles
- Crafted door styles will be supplied in plain sawn wood
- Offered in 8' lengths

❖	A
❖	C
❖	E
❖	H
❖	TH
❖	HG
❖	WG
❖	M
❖	O
❖	QS

## Bead Pilaster

Single Bead  
**SBP8**  
Triple Bead  
**TBP8**

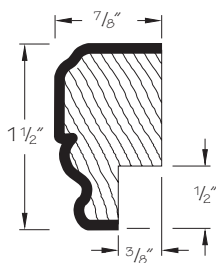


- Solid wood
- Painted hardwood supplied for EverCore® and Thermofoil
- Painted or Stained hardwood supplied for Wood-Grain Foil door styles
- Crafted door styles will be supplied in plain sawn wood
- Offered in 8' lengths

❖	A
❖	C
❖	E
❖	H
❖	TH
❖	HG
❖	WG
❖	M
❖	O
❖	QS

## Beaded Panel Molding

**BPM8**

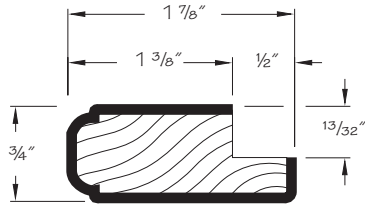


- Solid wood
- Painted hardwood supplied for EverCore® and Thermofoil
- Painted or Stained hardwood supplied for Wood-Grain Foil door styles
- Crafted door styles will be supplied in plain sawn wood
- Offered in 8' lengths

❖	A
❖	C
❖	E
❖	H
❖	TH
❖	HG
❖	WG
❖	M
❖	O
❖	QS

### Cabinet Panel Edge

#### CPE8



- Solid wood
- Painted hardwood supplied for EverCore® and Thermofoil
- Painted or Stained hardwood supplied for Wood-Grain Foil door styles
- Crafted door styles will be supplied in plain sawn wood
- Offered in 8' lengths

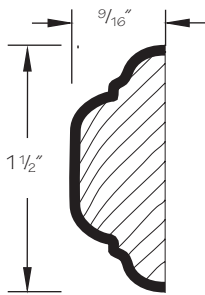


Remember to account for miter cuts and returns when choosing the amount of molding needed for a job

❖	A
❖	C
❖	E
❖	H
❖	TH
	HG
❖	WG
❖	M
❖	O
❖	QS

### Chair Rail

#### CR8

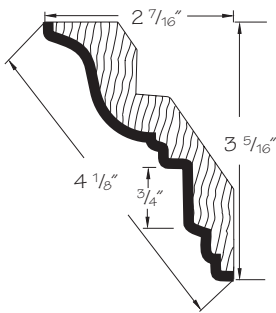


- Solid wood
- Painted hardwood supplied for EverCore® and Thermofoil
- Painted or Stained hardwood supplied for Wood-Grain Foil door styles
- Crafted door styles will be supplied in plain sawn wood
- Designed to overlay LM8
- Offered in 8' lengths

❖	A
❖	C
❖	E
❖	H
❖	TH
	HG
❖	WG
❖	M
❖	O
❖	QS

### Classic Crown Molding

#### CCM8 .NG CCM10 .NG



- Solid wood
- Foil-wrapped MDF supplied for White Thermofoil
- Painted hardwood supplied for EverCore®, Thermofoil and 10' molding
- Painted or Stained hardwood supplied for Wood-Grain Foil door styles
- Crafted door styles will be supplied in plain sawn wood
- Will have rustic characteristics when ordered in rustic door styles
- Offered in 8' and 10' lengths

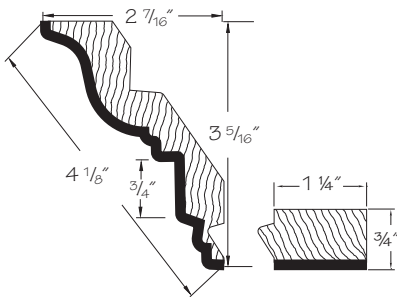


Use caution when applying Classic Crown Molding (CCM8), Crown Molding (CM8), etc., when "stair stepping" wall cabinets in full overlay door styles otherwise the doors may hit the molding while opening.

❖	A
❖	C
❖	E
❖	H
❖	TH
	HG
❖	WG
❖	M
❖	O
❖	QS

### Classic Crown Molding w/Molding Mounting Strip

#### CCM8 .MS CCM10 .MS

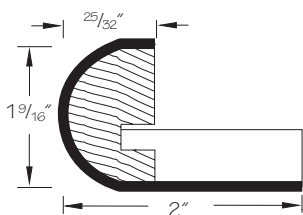


- Solid wood
- Painted hardwood supplied for EverCore®
- Painted or Stained hardwood supplied for Wood-Grain Foil door styles
- Crafted door styles will be supplied in plain sawn wood
- Will have rustic characteristics when ordered in rustic door styles
- Mounting strip may be installed first, allowing for easier alignment and quicker installation of grooved moldings
- Shipped as two pieces
- Offered in 8' and 10' lengths

❖	A
❖	C
❖	E
❖	H
	TH
	HG
❖	WG
❖	M
❖	O
❖	QS

### Contemporary Wood Crown

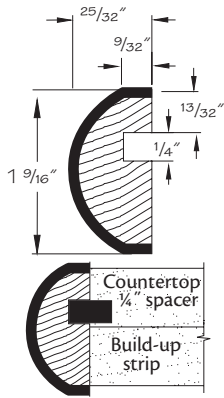
#### CWC8



- Solid wood
- Painted hardwood supplied for EverCore® and Thermofoil
- Painted or Stained hardwood supplied for Wood-Grain Foil door styles
- Crafted door styles will be supplied in plain sawn wood
- Offered in 8' lengths

	A
❖	C
❖	E
❖	H
❖	TH
	HG
❖	WG
❖	M
❖	O
❖	QS

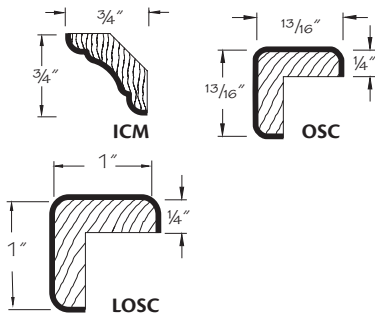
## Contemporary Wood Edge CWE8



- Solid wood
- Painted hardwood supplied for EverCore® and Thermofoil
- Painted or Stained hardwood supplied for Wood-Grain Foil door styles
- Crafted door styles will be supplied in plain sawn wood
- Offered in 8' lengths

❖	A
❖	C
❖	E
❖	H
❖	TH
❖	HG
❖	WG
❖	M
❖	O
❖	QS

## Corner Molding

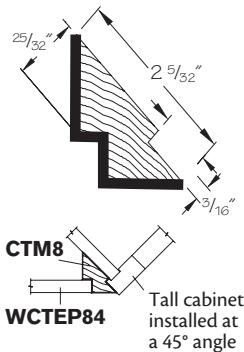


Inside  
**ICM8**  
Outside  
**OSC8**  
Large Outside  
**LOSC8**

- Solid wood
- Painted hardwood supplied for EverCore® and Thermofoil, except for Outside Corner Molding, which is foil-wrapped MDF supplied for Thermofoils
- Painted or Stained hardwood supplied for Wood-Grain Foil door styles
- Crafted door styles will be supplied in plain sawn wood
- OSC8 is 1" x 1" when ordered in Foil doors styles
- Offered in 8' lengths

❖	A
❖	C
❖	E
❖	H
❖	TH
❖	HG
❖	WG
❖	M
❖	O
❖	QS

## Corner Tall Molding CTM8



**CTM8**  
**WCTEP84**  
Tall cabinet installed at a 45° angle

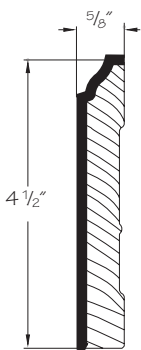
- Solid wood
- Painted hardwood supplied for EverCore® and Thermofoil
- Painted or Stained hardwood supplied for Wood-Grain Foil door styles
- Oak supplied for Hickory
- Crafted door styles will be supplied in plain sawn wood
- See Option #2 in the Diagonal Installation of Standard Tall Cabinets located in Tall Accessories
- Corner Tall End Panel and Corner Tall Molding are sold separately
- **Note:** For use with WCTEP 84 or 96 only; unable to work with WTEP
- Offered in 8' lengths

❖	A
❖	C
❖	E
❖	H
❖	TH
❖	HG
❖	WG
❖	M
❖	O
❖	QS

## Cove Base Board Extended

**CVBBE8**  
**CVBBE10**

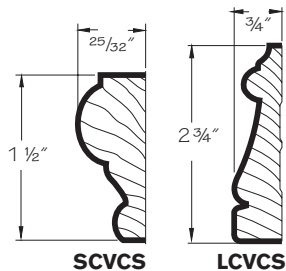
*Grey color coding indicates new product, size or code.*



- Solid wood
- Foil-wrapped MDF supplied for White Thermofoil
- Painted hardwood supplied for EverCore® and Thermofoil
- Painted or Stained hardwood supplied for Wood-Grain Foil door styles
- Crafted door styles will be supplied in plain sawn wood
- Quartersawn door styles are supplied plain sawn
- Offered in 8' and 10' lengths

❖	A
❖	C
❖	E
❖	H
❖	TH
❖	HG
❖	WG
❖	M
❖	O
❖	QS

### Cove Casing

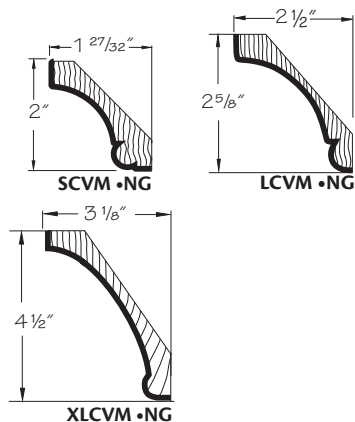


*Small*  
**SCVCS8**  
*Large*  
**LCVCS8**

- Solid wood
- Painted hardwood supplied for EverCore®
- Painted or Stained hardwood supplied for Wood-Grain Foil door styles
- Small Cove Casing will have painted hardwood and Large Cove Casing will have foil wrapped MDF supplied for Thermofoil
- Crafted door styles will be supplied in plain sawn wood
- Offered in 8' lengths

❖	A
❖	C
❖	E
❖	H
❖	TH
	HG
❖	WG
❖	M
❖	O
❖	QS

### Cove Molding

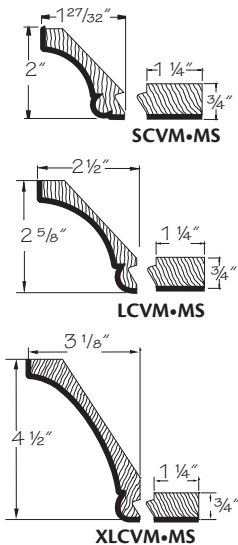


*Small*  
**SCVM8 .NG**  
**SCVM10 .NG**  
*Large*  
**LCVM8 .NG**  
**LCVM10 .NG**  
*Extra Large*  
**XLCVM8 .NG**  
**XLCVM10 .NG**

- Solid wood
- Painted hardwood supplied for EverCore®, Thermofoil and 10' molding, except for Small Cove Molding (SCVM8) and Large Cove Molding, which will have foil-wrapped MDF supplied for White Thermofoil
- Painted or Stained hardwood supplied for Wood-Grain Foil door styles
- Crafted door styles will be supplied in plain sawn wood
- Offered in 8' and 10' lengths

❖	A
❖	C
❖	E
❖	H
❖	TH
	HG
❖	WG
❖	M
❖	O
❖	QS

### Cove Molding w/Molding Mounting Strip



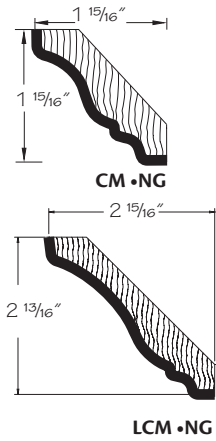
*Small*  
**SCVM8 .MS**  
**SCVM10 .MS**  
*Large*  
**LCVM8 .MS**  
**LCVM10 .MS**  
*Extra Large*  
**XLCVM8 .MS**  
**XLCVM10 .MS**

- Solid wood
- Painted hardwood supplied for EverCore®
- Painted or Stained hardwood supplied for Wood-Grain Foil door styles
- Crafted door styles will be supplied in plain sawn wood
- Mounting strip may be installed first, allowing for easier alignment and quicker installation of grooved moldings
- Shipped as two pieces
- Offered in 8' and 10' lengths

❖	A
❖	C
❖	E
❖	H
	TH
	HG
❖	WG
❖	M
❖	O
❖	QS

### Crown Molding

**CM8 .NG**  
**CM10 .NG**  
*Large*  
**LCM8 .NG**  
**LCM10 .NG**

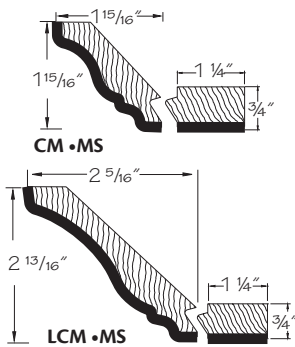


- Solid wood
- Crown Molding is supplied as foil wrapped MDF for White Thermofoils
- Crown Molding and Large Crown Molding are supplied as painted hardwood for White Thermofoils and EverCore
- Large Crown Molding is supplied as foil wrapped MDF for White Thermofoils; painted hardwood is supplied for EverCore
- Painted or Stained hardwood supplied for Wood-Grain Foil door styles
- Crafted door styles will be supplied in plain sawn wood
- Will have rustic characteristics when ordered in rustic door styles
- Offered in 8' and 10' lengths

❖	A
❖	C
❖	E
❖	H
❖	TH
	HG
❖	WG
❖	M
❖	O
❖	QS

### Crown Molding w/Molding Mounting Strip

**CM8 .MS**  
**CM10 .MS**  
*Large*  
**LCM8 .MS**  
**LCM10 .MS**

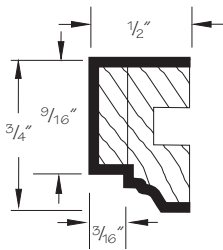


- Solid wood
- Painted hardwood supplied for EverCore®
- Painted or Stained hardwood supplied for Wood-Grain Foil door styles
- Crafted door styles will be supplied in plain sawn wood
- Will have rustic characteristics when ordered in rustic door styles
- Mounting strip may be installed first, allowing for easier alignment and quicker installation of grooved moldings
- Shipped as two pieces
- Offered in 8' and 10' lengths

❖	A
❖	C
❖	E
❖	H
	TH
	HG
❖	WG
❖	M
❖	O
❖	QS

### Dentil Edging

**DE8**

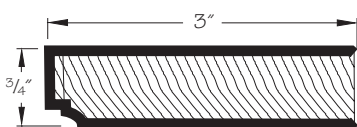


- Solid wood
- Painted hardwood supplied for EverCore® and Thermofoil
- Painted or Stained hardwood supplied for Wood-Grain Foil door styles
- Crafted door styles will be supplied in plain sawn wood
- Offered in 8' lengths

	A
❖	C
❖	E
❖	H
❖	TH
	HG
❖	WG
❖	M
❖	O
❖	QS

### Dentil Molding

**DM8**

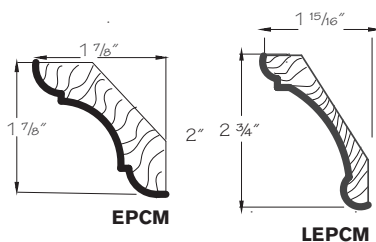


- Solid wood
- Painted hardwood supplied for EverCore® and Thermofoil
- Painted or Stained hardwood supplied for Wood-Grain Foil door styles
- Crafted door styles will be supplied in plain sawn wood
- Offered in 8' lengths

	A
❖	C
❖	E
❖	H
❖	TH
	HG
❖	WG
❖	M
❖	O
❖	QS

### Empire Crown Molding

**EPCM8**  
**EPCM10**  
*Large*  
**LEPCM8**  
**LEPCM10**

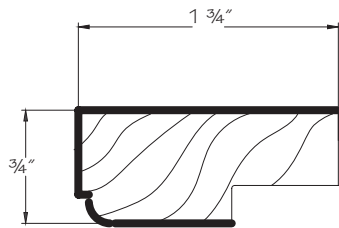


- Solid wood
- Painted hardwood supplied for EverCore® and Thermofoil
- Painted or Stained hardwood supplied for Wood-Grain Foil door styles
- Crafted door styles will be supplied in plain sawn wood
- Offered in 8' and 10' lengths

❖	A
❖	C
❖	E
❖	H
❖	TH
	HG
❖	WG
❖	M
❖	O
❖	QS

### Empire Light Rail

**EPLR8**

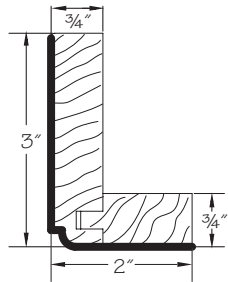


- Solid wood
- Painted hardwood supplied for EverCore® and Thermofoil
- Painted or Stained hardwood supplied for Wood-Grain Foil door styles
- Crafted door styles will be supplied in plain sawn wood
- Offered in 8' lengths

❖	A
❖	C
❖	E
❖	H
❖	TH
	HG
❖	WG
❖	M
❖	O
❖	QS

### Empire Starter Molding

**EPSTR8**



- Solid wood
- Painted hardwood supplied for EverCore® and Thermofoil
- Painted or Stained hardwood supplied for Wood-Grain Foil door styles
- Crafted door styles will be supplied in plain sawn wood
- Offered in 8' lengths

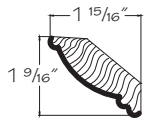
❖	A
❖	C
❖	E
❖	H
❖	TH
	HG
❖	WG
❖	M
❖	O
❖	QS

### Federal Molding

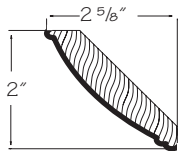
*Small*  
**SFDM8**

*Large*  
**LFDM8**

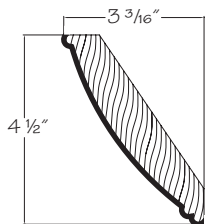
*Extra Large*  
**XLFDM8**



**SFDM8**



**LFDM8**



**XLFDM8**

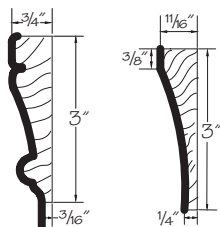
- Solid wood
- Can be installed with double bead on top or bottom
- Painted hardwood supplied for EverCore® and Thermofoil
- ☆ Painted hardwood supplied for Wood-Grain Foil door styles; only available in white
- Offered in 8' lengths

❖	A
❖	C
❖	E
❖	H
❖	TH
	HG
❖	WG
☆	M
	O
	QS

### Floating Shelf Molding - Cove & Sterling

*Cove*  
**FLSCM8**

*Sterling*  
**FLSSM8**



**FLSCM8**

**FLSSM8**

- Solid wood
- Painted hardwood supplied for EverCore® and Thermofoil
- Painted or Stained hardwood supplied for Wood-Grain Foil door styles
- Offered in 8' lengths



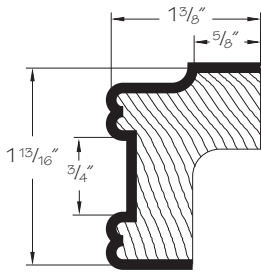
Floating Shelf Moldings can also be used in applications around window and door frames

	A
❖	C
❖	E
❖	H
❖	TH
	HG
❖	WG
❖	M
❖	O
	QS



## Inset Light Rail

### ILR8

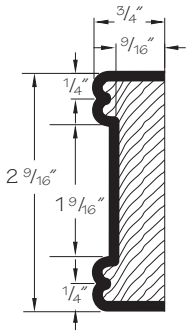


- Solid wood
- Allows application of 3/4" inserts
- Painted hardwood supplied for EverCore® and Thermofoil
- Painted or Stained hardwood supplied for Wood-Grain Foil door styles
- Crafted door styles will be supplied in plain sawn wood
- Offered in 8' lengths

❖	A
❖	C
❖	E
❖	H
❖	TH
	HG
❖	WG
❖	M
❖	O
❖	QS

## Library Molding

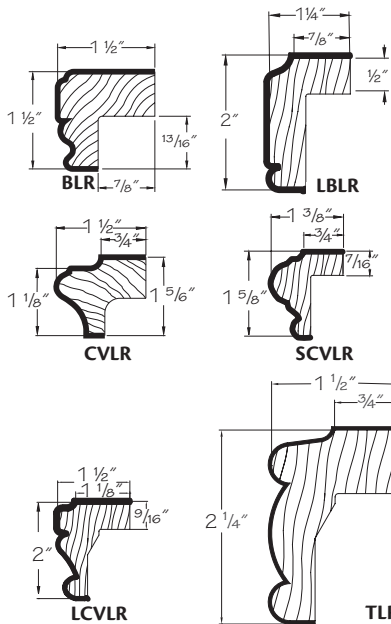
### LM8



- Solid wood
- Painted hardwood supplied for EverCore® and Thermofoil
- Painted or Stained hardwood supplied for Wood-Grain Foil door styles
- Crafted door styles will be supplied in plain sawn wood
- Offered in 8' lengths

❖	A
❖	C
❖	E
❖	H
❖	TH
	HG
❖	WG
❖	M
❖	O
❖	QS

## Light Rail



### Beaded Light Rail

#### BLR8

### Large Beaded Light Rail

#### LBLR8

### Cove Light Rail

#### ■ CVLR8

### Small Cove Light Rail

#### SCVLR8

### Large Cove Light Rail

#### ※ LCVLR8

### Traditional Light Rail

#### TLR8

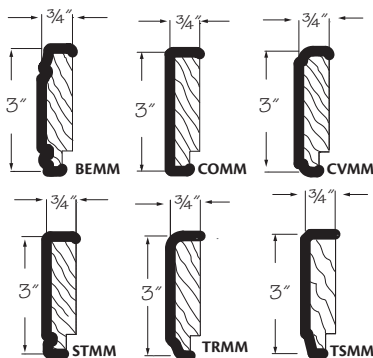
#### ■ Painted hardwood supplied for Thermofoil

#### ※ Groove accepts LED tape lighting

- Solid wood
- Painted hardwood supplied for EverCore® and Thermofoil
- Painted or Stained hardwood supplied for Wood-Grain Foil door styles
- Crafted door styles will be supplied in plain sawn wood
- Offered in 8' lengths

❖	A
❖	C
❖	E
❖	H
❖	TH
	HG
❖	WG
❖	M
❖	O
❖	QS

## Mirror Molding



### Beaded

#### BEMM8

### Contemporary

#### COMM8

### Cove

#### CVMM8

### Sterling

#### STMM8

### Traditional

#### TRMM8

### Transitional

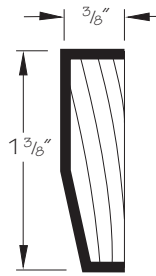
#### TSM8

- Solid wood
- Painted hardwood supplied for EverCore® and Thermofoil
- Foil-wrapped MDF supplied for Wood-Grain Foil door styles
- Crafted door styles will be supplied in plain sawn wood
- Offered in 8' lengths

❖	A
❖	C
❖	E
❖	H
❖	TH
	HG
❖	WG
❖	M
❖	O
❖	QS

### Mission Batten Molding

**MBM8**

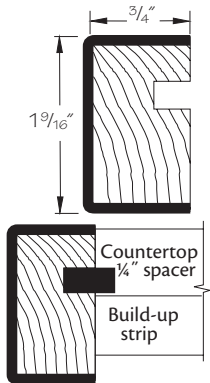


- Solid wood
- Painted hardwood supplied for EverCore®
- Plain sawn material supplied for Crafted Cherry and Maple door styles. Quartersawn Oak supplied for Crafted Oak door styles
- ☆ Painted hardwood supplied for Wood-Grain Foil door styles; only available in white
- Offered in 8' lengths

❖	A
❖	C
❖	E
❖	H
	TH
	HG
☆	WG
❖	M
❖	O
❖	QS

### Mission Flat Wood Edge

**MFWE8**

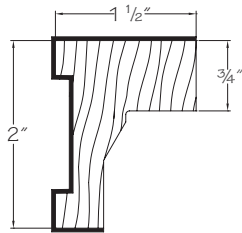


- Solid wood
- Painted hardwood supplied for EverCore®
- Plain sawn material supplied for Crafted Cherry and Maple door styles. Quartersawn Oak supplied for Crafted Oak door styles
- Painted or Stained hardwood supplied for Wood-Grain Foil door styles
- Offered in 8' lengths

❖	A
❖	C
❖	E
❖	H
	TH
	HG
☆	WG
❖	M
❖	O
❖	QS

### Mission Light Rail

**MLR8**

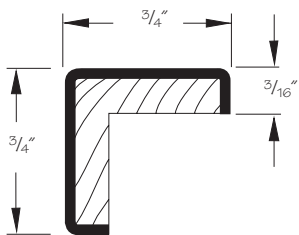


- Solid wood
- Painted hardwood supplied for EverCore® and Thermofoil
- Painted or Stained hardwood supplied for Wood-Grain Foil door styles
- Groove accepts LED tape lighting
- Offered in 8' lengths

❖	A
❖	C
❖	E
❖	H
❖	TH
	HG
❖	WG
❖	M
❖	O
❖	QS

### Mission Outside Corner

**MOSC8**

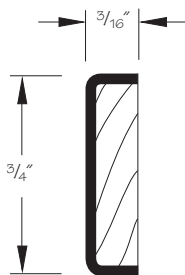


- Solid wood
- Painted hardwood supplied for EverCore®
- Painted or Stained hardwood supplied for Wood-Grain Foil door styles
- Offered in 8' lengths

❖	A
❖	C
❖	E
❖	H
	TH
	HG
❖	WG
❖	M
❖	O
❖	QS

### Mission Scribe Molding

**MSM8**



- Solid wood
- Painted hardwood supplied for EverCore®
- Plain sawn material supplied for Crafted Cherry and Maple door styles. Quartersawn Oak supplied for Crafted Oak door styles
- Painted or Stained hardwood supplied for Wood-Grain Foil door styles
- Offered in 8' lengths

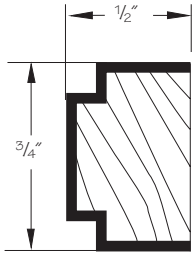
❖	A
❖	C
❖	E
❖	H
	TH
	HG
☆	WG
❖	M
❖	O
❖	QS



Tip: Consider using Missing Scribe Molding as a filler between a wall and cabinet frame

### Mission Single Bead Edging

#### MSBE8

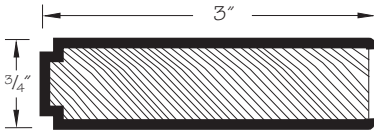


- Solid wood
- Painted hardwood supplied for EverCore®
- Plain sawn material supplied for Crafted Cherry and Maple door styles. Quartersawn Oak supplied for Crafted Oak door styles
- Painted or Stained hardwood supplied for Wood-Grain Foil door styles
- Offered in 8' lengths

❖	A
❖	C
❖	E
❖	H
	TH
	HG
☆	WG
❖	M
❖	O
❖	QS

### Mission Single Bead Molding

#### MSBM8

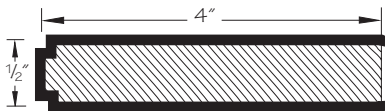


- Solid wood
- Painted hardwood supplied for EverCore®
- Plain sawn material supplied for Crafted Cherry and Maple door styles. Quartersawn Oak supplied for Crafted Oak door styles
- Painted or Stained hardwood supplied for Wood-Grain Foil door styles
- Offered in 8' lengths

❖	A
❖	C
❖	E
❖	H
	TH
	HG
☆	WG
❖	M
❖	O
❖	QS

### Mission Single Bead Pilaster

#### MSBP8

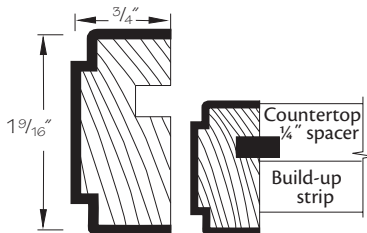


- Solid wood
- Painted hardwood supplied for EverCore®
- Plain sawn material supplied for Crafted Cherry and Maple door styles. Quartersawn Oak supplied for Crafted Oak door styles
- Painted or Stained hardwood supplied for Wood-Grain Foil door styles
- Offered in 8' lengths

❖	A
❖	C
❖	E
❖	H
	TH
	HG
☆	WG
❖	M
❖	O
❖	QS

### Mission Single Bead Wood Edge

#### MSBWE8



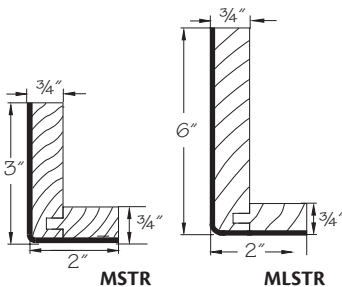
- Solid wood
- Painted hardwood supplied for EverCore®
- Plain sawn material supplied for Crafted Cherry and Maple door styles. Quartersawn Oak supplied for Crafted Oak door styles
- Painted or Stained hardwood supplied for Wood-Grain Foil door styles
- Offered in 8' lengths

❖	A
❖	C
❖	E
❖	H
	TH
	HG
☆	WG
❖	M
❖	O
❖	QS

### Mission Starter Molding

#### MSTR8

#### Large MLSTR8

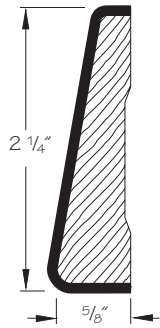


- Solid wood
- Painted hardwood supplied for EverCore®
- Plain sawn material supplied for Crafted Cherry and Maple door styles. Quartersawn Oak supplied for Crafted Oak door styles
- Painted or Stained hardwood supplied for Wood-Grain Foil door styles
- Offered in 8' lengths

❖	A
❖	C
❖	E
❖	H
	TH
	HG
☆	WG
❖	M
❖	O
❖	QS

### Modern Casing

**MCS4  
MCS7**

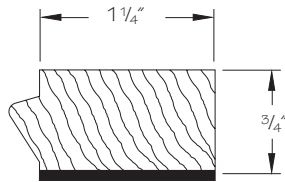


- Solid wood
- Painted hardwood supplied for EverCore® and Thermofoil
- Painted or Stained hardwood supplied for Wood-Grain Foil door styles
- Crafted door styles will be supplied in plain sawn wood
- Offered in 4' and 7' lengths

❖ A
❖ C
❖ E
❖ H
❖ TH
❖ HG
❖ WG
❖ M
❖ O
❖ QS

### Molding Mounting Strip

**MS8  
MS10**

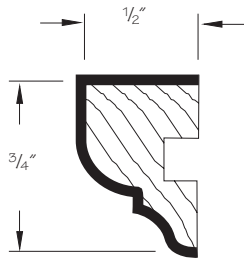


- Solid wood
- Painted hardwood supplied for EverCore®
- Painted or Stained hardwood supplied for Wood-Grain Foil door styles
- Crafted door styles will be supplied in plain sawn wood
- Mounting strip may be installed first, allowing for easier alignment and quicker installation of grooved moldings
- Works with all Cove and Crown combination molding and mounting strips
- Offered in 8' and 10' lengths

❖ A
❖ C
❖ E
❖ H
❖ TH
❖ HG
❖ WG
❖ M
❖ O
❖ QS

### Ogee Edging

**OGE8**

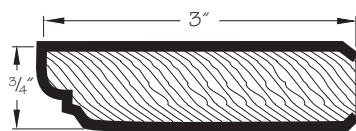


- Solid wood
- Painted hardwood supplied for EverCore® and Thermofoil
- Painted or Stained hardwood supplied for Wood-Grain Foil door styles
- Crafted door styles will be supplied in plain sawn wood
- Offered in 8' lengths

❖ A
❖ C
❖ E
❖ H
❖ TH
❖ HG
❖ WG
❖ M
❖ O
❖ QS

### Ogee Molding

**OGM8**

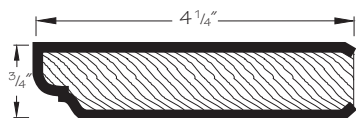


- Solid wood
- Painted hardwood supplied for EverCore® and Thermofoil
- Painted or Stained hardwood supplied for Wood-Grain Foil door styles
- Crafted door styles will be supplied in plain sawn wood
- Offered in 8' lengths

❖ A
❖ C
❖ E
❖ H
❖ TH
❖ HG
❖ WG
❖ M
❖ O
❖ QS

### Ogee Pilaster

**OGP8**

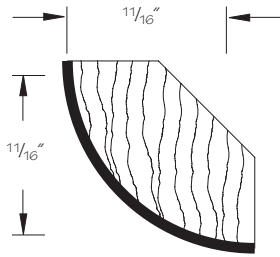


- Solid wood
- Foil-wrapped MDF supplied for White Thermofoil
- Painted hardwood supplied for EverCore® and Thermofoil
- Painted or Stained hardwood supplied for Wood-Grain Foil door styles
- Crafted door styles will be supplied in plain sawn wood
- Offered in 8' lengths

❖ A
❖ C
❖ E
❖ H
❖ TH
❖ HG
❖ WG
❖ M
❖ O
❖ QS

## Quarter Round Molding

### QR8



- Solid wood
- Foil-wrapped MDF supplied for White Thermofoil
- Painted hardwood supplied for EverCore® and Thermofoil
- Painted or Stained hardwood supplied for Wood-Grain Foil door styles
- Crafted door styles will be supplied in plain sawn wood
- Offered in 8' lengths

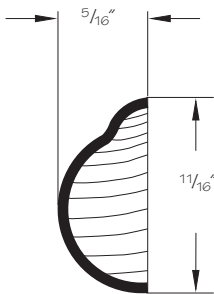
❖	A
❖	C
❖	E
❖	H
❖	TH
❖	HG
❖	WG
❖	M
❖	O
❖	QS



Apply Shoe Molding at the base of Matching Toe Kicks or Wood Matching Toe Kicks for a nice, finished look

## Ribbon Twist Molding

### RTM8



- Solid wood
- Carved
- Painted hardwood supplied for EverCore® and Thermofoil
- Painted or Stained hardwood supplied for Wood-Grain Foil door styles
- Beech supplied for Hickory, Oak and Quartersawn Oak
- Component will **not** contain rustic characteristics when ordered in a rustic door style
- Offered in 8' lengths

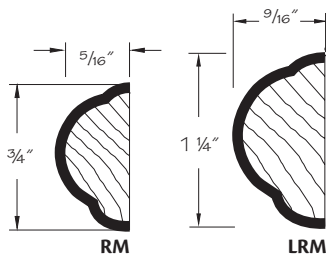
❖	A
❖	C
❖	E
❖	H
❖	TH
❖	HG
❖	WG
❖	M
❖	O
❖	QS

## Rope Molding

### ▲ RM8

#### Large +\* LRM8

- ▲ Oak supplied for Hickory
- \* Unavailable in Rustic Alder door styles
- + Apply with small brad



- Solid wood
- Painted hardwood supplied for EverCore® and Thermofoil
- Painted or Stained hardwood supplied for Wood-Grain Foil door styles
- Crafted door styles will be supplied in plain sawn wood
- Component will **not** contain rustic characteristics when ordered in a rustic door style
- Offered in 8' lengths

☆	A
☆	C
☆	E
☆	H
☆	TH
☆	HG
☆	WG
☆	M
☆	O
☆	QS

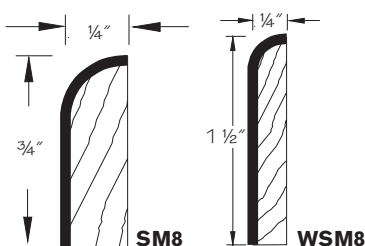


Applying Rope Molding or Dentil Edging to the inlay of Classic Crown Molding before making cuts will enable you to condense two cuts into one

## Scribe Molding

### SM8

#### Wide Scribe WSM8



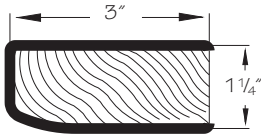
- Solid wood
- Foils are foil wrapped MDF
- Painted hardwood supplied for EverCore®
- Crafted door styles will be supplied in plain sawn wood
- Offered in 8' lengths

❖	A
❖	C
❖	E
❖	H
❖	TH
❖	HG
❖	WG
❖	M
❖	O
❖	QS



Let your customers know if they have left over pieces of Scribe Molding to consider using them to finish the ends of exposed matching toe kick

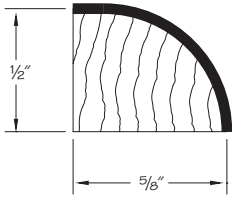
### Shaped Molding SHM8



- Solid wood
- Painted hardwood supplied for EverCore® and Thermofoil
- Painted or Stained hardwood supplied for Wood-Grain Foil door styles
- Crafted door styles will be supplied in plain sawn wood
- Offered in 8' lengths

❖	A
❖	C
❖	E
❖	H
❖	TH
❖	HG
❖	WG
❖	M
❖	O
❖	QS

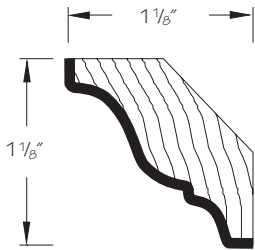
### Shoe Molding SHO8



- Solid wood
- Painted hardwood supplied for EverCore® and Thermofoil
- Painted or Stained hardwood supplied for Wood-Grain Foil door styles
- Crafted door styles will be supplied in plain sawn wood
- Offered in 8' lengths

❖	A
❖	C
❖	E
❖	H
❖	TH
❖	HG
❖	WG
❖	M
❖	O
❖	QS

### Soffit Crown Molding SCM8 SCM10



- Solid wood
- Foil-wrapped MDF supplied for White Thermofoil
- Painted hardwood supplied for EverCore®, Thermofoil and 10' molding
- Painted or Stained hardwood supplied for Wood-Grain Foil door styles
- Crafted door styles will be supplied in plain sawn wood
- Offered in 8' and 10' lengths

❖	A
❖	C
❖	E
❖	H
❖	TH
❖	HG
❖	WG
❖	M
❖	O
❖	QS

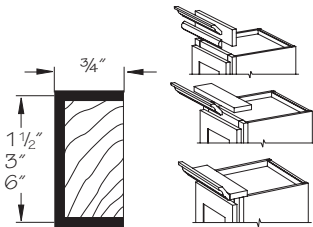


Remember to account for miter cuts and returns when choosing the amount of molding needed for a job

### Solid Stock

- ▲ S3S1
- ▲ S3S3
- ▲ S3S6

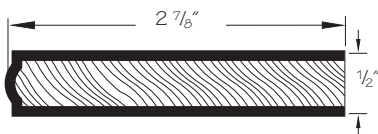
▲ Crafted door styles will be supplied in plain sawn wood



- Solid wood
- Painted hardwood supplied for EverCore® and Thermofoil
- Painted or Stained hardwood supplied for Wood-Grain Foil door styles
- Use solid stock material as finished nailing strip for molding applications
- When ordered in Distressed or Vintage finishes, solid stock will receive applicable finish
- Finished on three sides
- Offered in 8' lengths

❖	A
❖	C
❖	E
❖	H
❖	TH
❖	HG
❖	WG
❖	M
❖	O
❖	QS

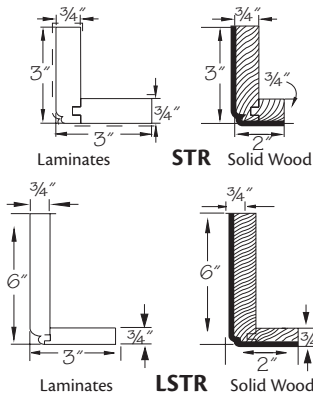
### Stack Molding STM8



- Solid wood
- Painted hardwood supplied for EverCore® and Thermofoil
- Painted or Stained hardwood supplied for Wood-Grain Foil door styles
- Crafted door styles will be supplied in plain sawn wood
- Offered in 8' lengths

❖	A
❖	C
❖	E
❖	H
❖	TH
❖	HG
❖	WG
❖	M
❖	O
❖	QS

## Starter Molding

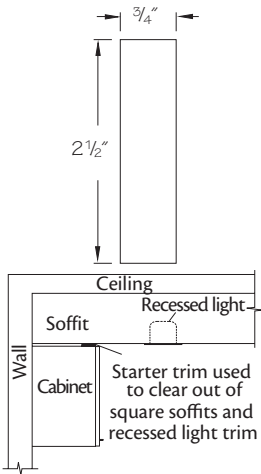


**STR8**  
**STR10**  
*Large*  
**LSTR8**  
**LSTR10**

- Solid wood
- Painted hardwood supplied for EverCore® and Thermofoil, except for Starter Molding is foil-wrapped MDF supplied for White Thermofoil
- Painted or Stained hardwood supplied for Wood-Grain Foil door styles
- Crafted door styles will be supplied in plain sawn wood
- Will have rustic characteristics when ordered in rustic door styles
- Offered in 8' and 10' lengths

❖	A
❖	C
	E
❖	H
❖	TH
	HG
❖	WG
❖	M
❖	O
❖	QS

## Starter Trim

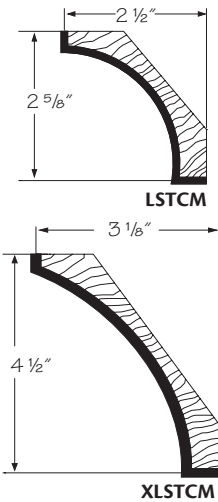


**ST8**

- 3/4" melamine
- Edgebanded one long edge
- ☆ Only available in White Thermofoil door styles
- Offered in 8' lengths

	A
	C
	E
	H
☆	TH
	HG
	WG
	M
	O
	QS

## Sterling Crown Molding



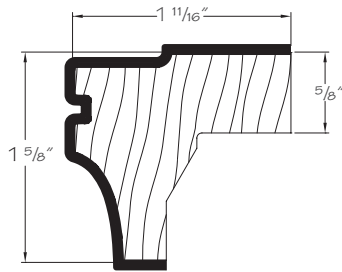
*Large*  
**LSTCM8**  
*Extra Large*  
**XLSTCM8**

- Solid wood
- Painted hardwood supplied for EverCore® and Thermofoil
- ☆ Painted hardwood supplied for Wood-Grain Foil door styles; only available in white
- Offered in 8' lengths



The Sterling Collection design combines automated wood-machining processes with hand detailing. Because of the hand detailing, slight imperfection and/or differences may exist from part to part and are normal. These do not affect the structural performance of the product but enhance the aesthetics of each piece

❖	A
❖	C
❖	E
	H
❖	TH
	HG
☆	WG
❖	M
	O
	QS



### Sterling Light Rail

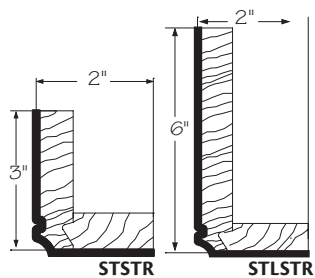
**STLR8**

- Solid wood
- Painted hardwood supplied for EverCore® and Thermofoil
- ☆ Painted hardwood supplied for Wood-Grain Foil door styles; only available in white
- Groove accepts LED tape lighting
- Offered in 8' lengths

◇	A
◇	C
◇	E
◇	H
◇	TH
◇	HG
☆	WG
◇	M
◇	O
◇	QS



The Sterling Collection design combines automated wood-machining processes with hand detailing. Because of the hand detailing, slight imperfection and/or differences may exist from part to part and are normal. These do not affect the structural performance of the product but enhance the aesthetics of each piece



### Sterling Starter Molding

**STSTR**

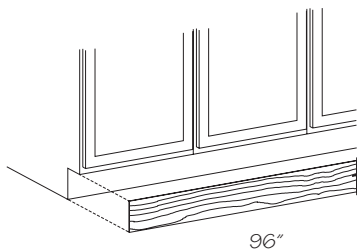
*Large*  
**STLSTR8**

- Solid wood
- Painted hardwood supplied for EverCore® and Thermofoil
- ☆ Painted hardwood supplied for Wood-Grain Foil door styles; only available in white
- Offered in 8' lengths

◇	A
◇	C
◇	E
◇	H
◇	TH
◇	HG
☆	WG
◇	M
◇	O
◇	QS



The Sterling Collection design combines automated wood-machining processes with hand detailing. Because of the hand detailing, slight imperfection and/or differences may exist from part to part and are normal. These do not affect the structural performance of the product but enhance the aesthetics of each piece



### Toe Kick

- Black*
- ◆ **BLTK8**  
1/8" thick hardboard, 4 1/2" high
- Vinyl*
- ◆ **MTK8**  
1/8" thick hardboard, 4 1/2" high, laminated with matching vinyl
- Aluminum finish*
- ◆ **MTK8 .A**  
1/16" thick flexible laminate, 4 1/2" high
- Stainless finish*
- ◆ **MTK8 .S**  
1/16" thick flexible laminate, 4 1/2" high
- Wood Veneer*
- ◆ **WMTK8**  
3/16" thick wood veneer, 4 1/2" high, to match
- Crafted*
- **WMTK8 .C**  
Wood Veneer Construction

- Edges are unfinished
- Field install
- **Note:** Matching toe kick is *not* automatically supplied with cabinets. Order matching to kick separately



Apply Shoe Molding at the base of Matching Toe Kicks or Wood Matching Toe Kicks for a nice, finished look

◇	A
◇	C
◇	E
◇	H
◇	TH
◇	HG
◇	WG
◇	M
◇	O
◇	QS

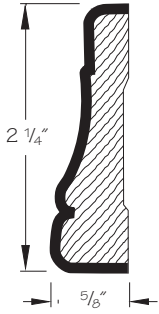
- ◆ Painted hardwood supplied for EverCore®
- Quartersawn door styles are supplied plain sawn
- ◆ High-gloss laminate supplied for High-Gloss Foil door styles
- ※ Painted hardwood supplied for EverCore® and Thermofoil
- ▲ Painted or Stained hardwood supplied for Wood-Grain Foil door styles
- Available in Crafted door styles only

*Grey color coding indicates new product, size or code.*



## Traditional Casing

TCS4  
TCS7



- Solid wood
- Painted hardwood supplied for EverCore® and Thermofoil
- Painted or Stained hardwood supplied for Wood-Grain Foil door styles
- Crafted door styles will be supplied in plain sawn wood
- Offered in 4' and 7' lengths

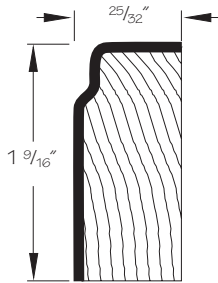
❖	A
❖	C
❖	E
❖	H
❖	TH
❖	HG
❖	WG
❖	M
❖	O
❖	QS



Remember to account for miter cuts and returns when choosing the amount of molding needed for a job

## Traditional Wood Edge

TWE8



- Solid wood
- Painted hardwood supplied for EverCore® and Thermofoil
- Painted or Stained hardwood supplied for Wood-Grain Foil door styles
- Crafted door styles will be supplied in plain sawn wood
- Offered in 8' lengths

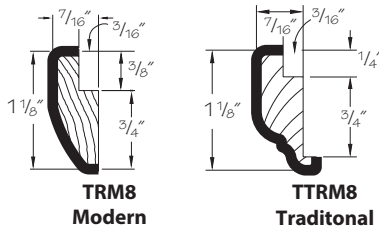
❖	A
❖	C
❖	E
❖	H
❖	TH
❖	HG
❖	WG
❖	M
❖	O
❖	QS



When using wood edge molding to trim a countertop, seal the back edge of the molding prior to installing the edge to the top to prevent moisture from entering the molding and damaging it

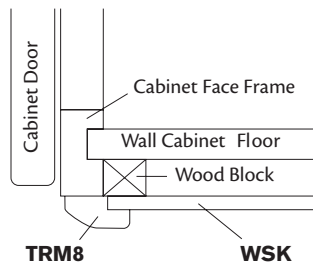
## Transition Molding

Modern  
TRM8  
Traditional  
TTRM8



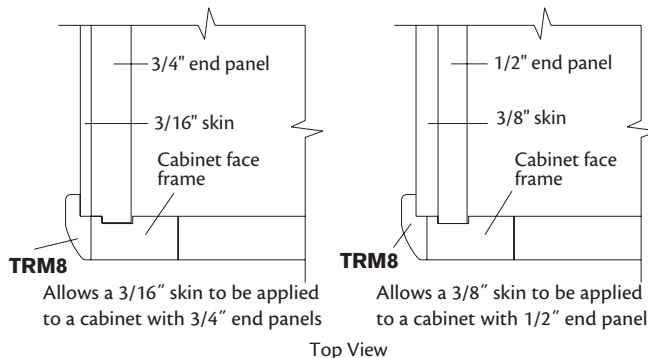
- Solid wood
- Painted hardwood supplied for EverCore® and Thermofoil
- Painted or Stained hardwood supplied for Wood-Grain Foil door styles
- Crafted door styles will be supplied in plain sawn wood
- Offered in 8' lengths

❖	A
❖	C
❖	E
❖	H
❖	TH
❖	HG
❖	WG
❖	M
❖	O
❖	QS



Side view of Wall Cabinet application. Use additional TRM8 or SM8 where cabinet meets wall.

Side View



Allows a 3/16" skin to be applied to a cabinet with 3/4" end panels

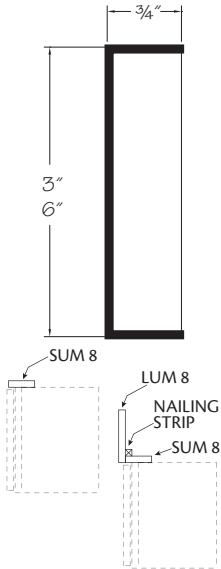
Allows a 3/8" skin to be applied to a cabinet with 1/2" end panels

Top View

### Universal Molding

Small  
**SUM8**

Large  
**LUM8**



- ☆ Available for High-Gloss Foil door styles only
- Manufactured to match the doors and drawer fronts
- Offered in 8' lengths

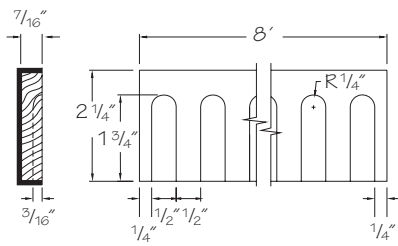


Installation Note: When installing High-Gloss moldings, attach from the back as touch-up kits are unavailable in High-Gloss materials

A
C
E
H
TH
❖ HG
WG
M
O
QS

### Wide Dentil Molding

**WDM8**



- Solid wood
- Painted hardwood supplied for EverCore® and Thermofoil
- Painted or Stained hardwood supplied for Wood-Grain Foil door styles
- Crafted door styles will be supplied in plain sawn wood
- Offered in 8' lengths

A
❖ C
❖ E
❖ H
❖ TH
HG
❖ WG
❖ M
❖ O
❖ QS

# Decorative Accents

## Construction Options and Modifications

- ❖ Included as standard
- Available with an upcharge
- ☆ Available with exceptions
- (Blank) Unavailable

- A Alder
- C Cherry
- E EverCore®
- H Hickory
- TH Thermofoil
- HG High-Gloss Foil
- WG Wood-Grain Foil
- M Maple
- O Oak
- QS Quartersawn

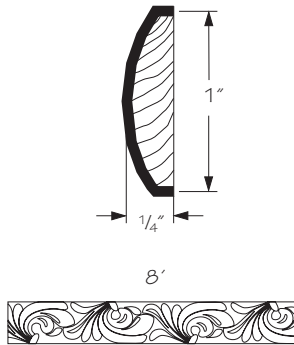
<b>CBE</b>	<b>8</b>
code	length

Numerous moldings for decorative and finished applications are offered and are available in some or all wood species. All components ordered in quartersawn door styles will be supplied standard oak unless otherwise noted.

Material dimensions listed may vary slightly from actual dimensions of the product. Specifications subject to change without notice.

**Note:** Heavy, dark lines indicate finished surfaces.

### Acanthus Insert AS18



- Solid wood
- Embossed design
- Painted hardwood supplied for EverCore® and Thermofoil
- Painted or Stained hardwood supplied for Wood-Grain Foil door styles
- Beech supplied for Hickory, Oak and Quartersawn Oak
- Apply with small brad

A
❖ C
❖ E
❖ H
❖ TH
HG
❖ WG
❖ M
❖ O
❖ QS

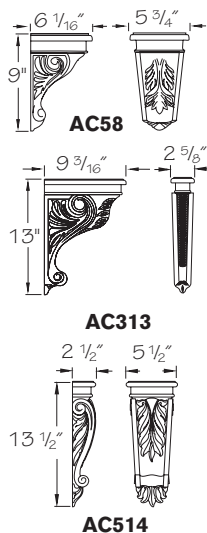
### Acanthus Onlay ASPO



- Solid wood
- Carved
- Painted hardwood supplied for EverCore® and Thermofoil
- Beech supplied for Hickory, Oak and Quartersawn Oak
- Apply with small brad

A
❖ C
❖ E
❖ H
❖ TH
HG
WG
❖ M
❖ O
❖ QS

### Acanthus Corbel AC58 AC313 AC514

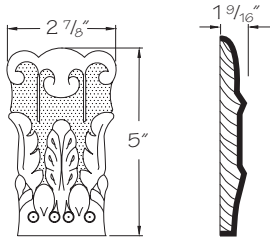


- Solid wood
- Painted hardwood supplied for EverCore® and Thermofoil
- Painted or Stained hardwood supplied for Wood-Grain Foil door styles
- Oak supplied for Hickory
- Crafted door styles will be supplied in plain sawn wood

A
❖ C
❖ E
❖ H
❖ TH
HG
❖ WG
❖ M
❖ O
❖ QS

## Tall Acanthus Capital

### TASC

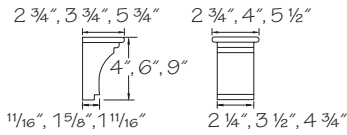


- Solid wood
- Carved
- Painted hardwood supplied for EverCore® and Thermofoil
- Beech supplied for Hickory, Oak and Quartersawn Oak
- Apply with small brad

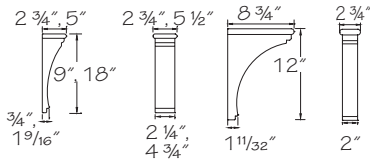
❖	A
❖	C
❖	E
❖	H
❖	TH
	HG
	WG
❖	M
❖	O
❖	QS

## Cove Corbel

### CVC34 CVC46 CVC29 CVC69 CVC212 CVC518



**CVC34, CVC46, CVC69**



**CVC29, CVC518 CVC212**

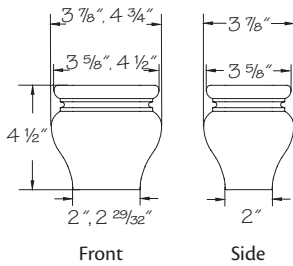
- Solid wood
- Painted hardwood supplied for EverCore® and Thermofoil
- Painted or Stained hardwood supplied for Wood-Grain Foil door styles
- Oak supplied for Hickory
- Crafted door styles will be supplied in plain sawn wood

❖	A
❖	C
❖	E
❖	H
❖	TH
	HG
❖	WG
❖	M
❖	O
❖	QS

## Cove Leg

### CVL CVL .2

4 3/4" x 3 7/8"  
3 7/8" x 3 7/8" square



Front

Side

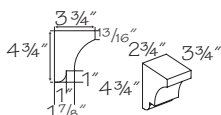
- Solid wood
- Painted hardwood supplied for EverCore® and Thermofoil
- Painted or Stained hardwood supplied for Wood-Grain Foil door styles
- Oak supplied for Hickory
- Crafted door styles will be supplied in plain sawn wood
- **Note:** Decorative feet or legs should support the cabinet by the end panels, **not** the cabinet floor

❖	A
❖	C
❖	E
❖	H
❖	TH
	HG
❖	WG
❖	M
❖	O
❖	QS

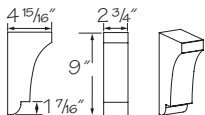
## Empire Corbel

### EPC35 EPC39 EPC59 EPC312 EPC512

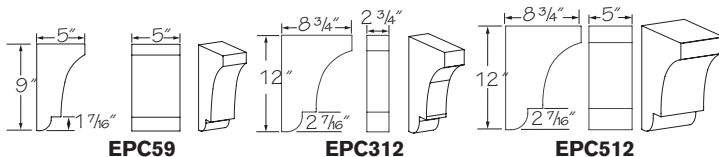
Grey color coding indicates new product, size or code.



**EPC35**



**EPC39**



**EPC59**

**EPC312**

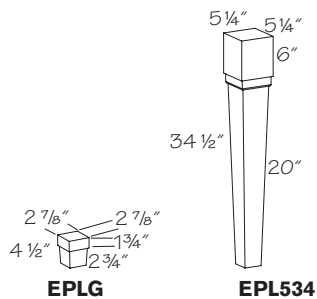
**EPC512**

- Solid wood
- Painted hardwood supplied for EverCore® and Thermofoil
- Painted or Stained hardwood supplied for Wood-Grain Foil door styles
- Crafted door styles will be supplied in plain sawn wood
- Non-Rustic wood supplied for Rustic Door Styles

❖	A
❖	C
❖	E
❖	H
❖	TH
	HG
❖	WG
❖	M
❖	O
❖	QS

## Empire Leg

**EPLG**  
**EPL534**



**EPLG**

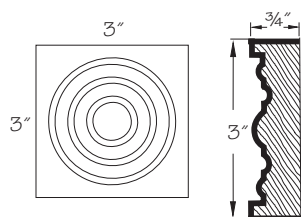
**EPL534**

- Solid wood
- Painted hardwood supplied for EverCore® and Thermofoil
- Painted or Stained hardwood supplied for Wood-Grain Foil door styles
- Crafted door styles will be supplied in plain sawn wood

❖	A
❖	C
❖	E
❖	H
❖	TH
❖	HG
❖	WG
❖	M
❖	O
❖	QS

## Rosette

**R33**

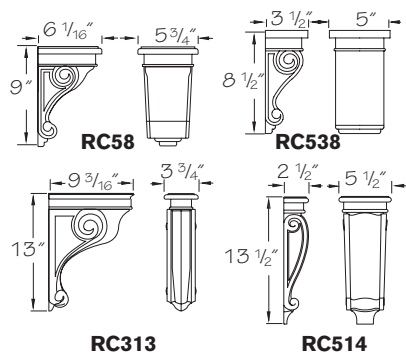


- Solid wood
- Painted hardwood supplied for EverCore® and Thermofoil
- Crafted door styles will be supplied in plain sawn wood

❖	A
❖	C
❖	E
❖	H
❖	TH
❖	HG
❖	WG
❖	M
❖	O
❖	QS

## Rosette Corbel

**RC58**  
**RC313**  
**RC514**  
**RC538**



**RC313**

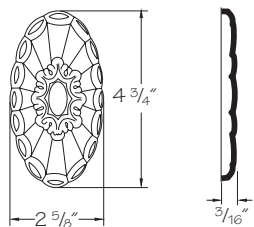
**RC514**

- Solid wood
- Painted hardwood supplied for EverCore® and Thermofoil
- Oak supplied for Hickory
- Crafted door styles will be supplied in plain sawn wood

❖	A
❖	C
❖	E
❖	H
❖	TH
❖	HG
❖	WG
❖	M
❖	O
❖	QS

## Oval Rosette

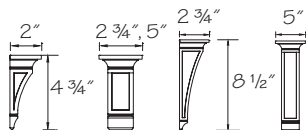
**OVR**



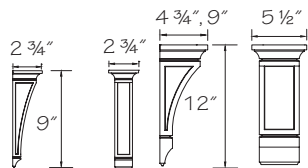
- Wood veneer
- Embossed design
- Painted hardwood supplied for EverCore® and Thermofoil
- Birch supplied for Maple
- Crafted door styles will be supplied in plain sawn wood

❖	A
❖	C
❖	E
❖	H
❖	TH
❖	HG
❖	WG
❖	M
❖	O
❖	QS

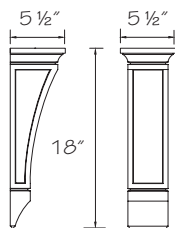
### Sterling Corbel



SC25, SC65 SC58



SC39 SC512, SC612



SC618

- SC25
- SC58
- SC65
- SC39
- SC512
- SC612
- SC618

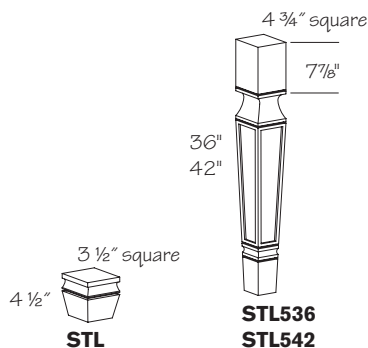
- Solid wood
- Painted hardwood supplied for EverCore® and Thermofoil
- Crafted door styles will be supplied in plain sawn wood
- ☆ Wood-Grain Foil is unavailable in grey
- **Note:** The recess panel of these corbels is chiseled and sanded by hand. This process can create some random inconsistent areas within the panel recess

❖	A
❖	C
❖	E
	H
❖	TH
	HG
☆	WG
❖	M
	O
	QS



The Sterling Collection design combines automated wood-machining processes with hand detailing. Because of the hand detailing, slight imperfection and/or differences may exist from part to part and are normal. These do not affect the structural performance of the product but enhance the aesthetics of each piece

### Sterling Leg



- STL
- STL536
- STL542

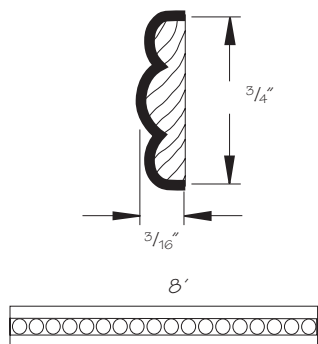
- Solid wood
- Painted hardwood supplied for EverCore® and Thermofoil
- ☆ Painted hardwood supplied for Wood-Grain Foil door styles; only available in white
- **Note:** Decorative feet or legs should support the cabinet by the end panels, *not* the cabinet floor
- Trimmable
- **Note:** The recess panel of this leg/post is chiseled and sanded by hand, which may create some random inconsistent areas within the panel recess

❖	A
❖	C
❖	E
	H
❖	TH
	HG
☆	WG
❖	M
	O
	QS



The Sterling Collection design combines automated wood-machining processes with hand detailing. Because of the hand detailing, slight imperfection and/or differences may exist from part to part and are normal. These do not affect the structural performance of the product but enhance the aesthetics of each piece

### Center Beaded Insert

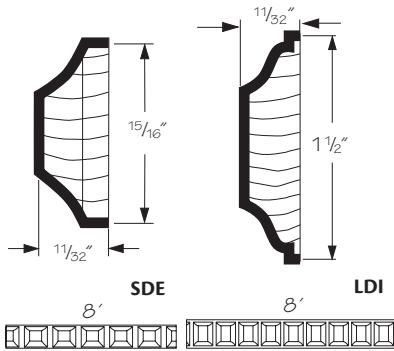


CBE8

- Solid wood
- Embossed design
- Painted hardwood supplied for EverCore® and Thermofoil
- Painted or Stained hardwood supplied for Wood-Grain Foil door styles
- Beech supplied for Hickory, Oak and Quartersawn Oak
- Apply with small brad

	A
❖	C
❖	E
❖	H
❖	TH
	HG
❖	WG
❖	M
❖	O
❖	QS

## Dentil Insert

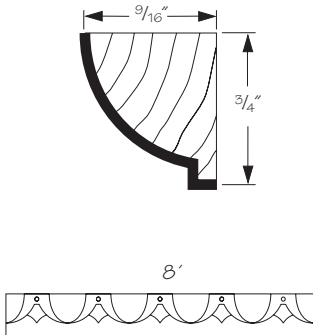


- Small  
**SDE8**
- Large  
▲ **LDI8**
- ▲ Unavailable in Rustic Alder door styles

- Solid wood
- Carved
- Painted hardwood supplied for EverCore® and Thermofoil
- Painted or Stained hardwood supplied for Wood-Grain Foil door styles
- Beech supplied for Hickory, Oak and Quartersawn Oak
- Apply with small brad

☆	A
❖	C
❖	E
❖	H
❖	TH
	HG
❖	WG
❖	M
❖	O
❖	QS

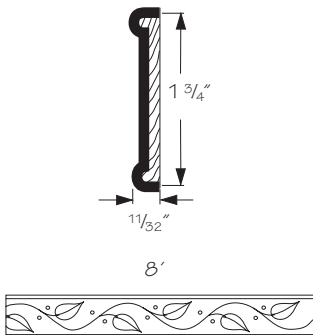
## Egg and Dart Edge EGE8



- Solid wood
- Carved
- Painted hardwood supplied for EverCore® and Thermofoil
- Painted or Stained hardwood supplied for Wood-Grain Foil door styles
- Beech supplied for Hickory, Oak and Quartersawn Oak
- Apply with small brad

	A
❖	C
❖	E
❖	H
❖	TH
	HG
❖	WG
❖	M
❖	O
❖	QS

## Ivy Insert IVI8



- Solid wood
- Embossed design
- Painted hardwood supplied for EverCore® and Thermofoil
- Painted or Stained hardwood supplied for Wood-Grain Foil door styles
- Beech supplied for Hickory, Oak and Quartersawn Oak
- Apply with small brad

	A
❖	C
❖	E
❖	H
❖	TH
	HG
❖	WG
❖	M
❖	O
❖	QS

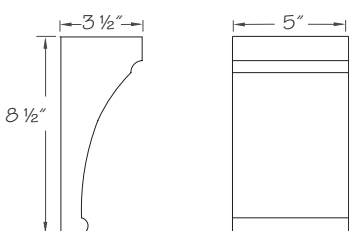
## Timeless Onlay TLPO



- Solid wood
- Carved
- Painted hardwood supplied for EverCore®
- Apply with small brad

	A
❖	C
❖	E
	H
	TH
	HG
	WG
❖	M
	O
	QS

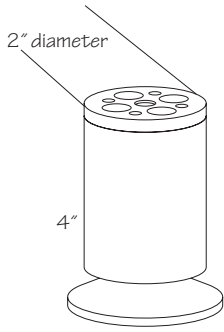
## Transitional Corbel TRC58



- Solid wood
- Painted hardwood supplied for EverCore® and Thermofoil
- Painted or Stained hardwood supplied for Wood-Grain Foil door styles
- Unavailable in Crafted or Rustic door styles

	A
❖	C
❖	E
	H
❖	TH
	HG
	WG
❖	M
❖	O
❖	QS

### Aluminum Round Leg



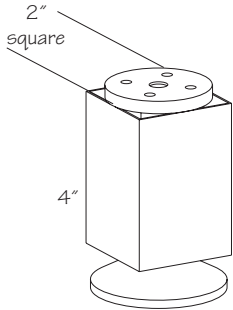
**ARL.4**

Adjustable from:  
4" - 4 3/4"

- Mounting plate included; mounting screws are **not**
- **Note:** Decorative feet or legs should support the cabinet by the end panels, **not** the cabinet floor

❖	A
❖	C
❖	E
❖	H
❖	TH
❖	HG
❖	WG
❖	M
❖	O
❖	QS

### Aluminum Square Leg



**ASL.4**

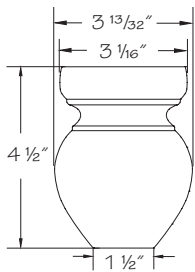
Adjustable from:  
4" - 4 3/4"

- Mounting plate included; mounting screws are **not**
- **Note:** Decorative feet or legs should support the cabinet by the end panels, **not** the cabinet floor

❖	A
❖	C
❖	E
❖	H
❖	TH
❖	HG
❖	WG
❖	M
❖	O
❖	QS

### Apple Leg

**APL**

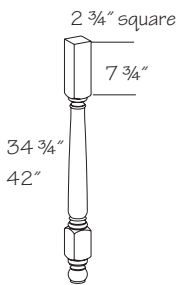


- Solid wood
- Painted hardwood supplied for EverCore® and Thermofoil
- Painted or Stained hardwood supplied for Wood-Grain Foil door styles
- Oak supplied for Hickory
- **Note:** Decorative feet or legs should support the cabinet by the end panels, **not** the cabinet floor
- Crafted door styles will be supplied in plain sawn wood
- Trimmable

❖	A
❖	C
❖	E
❖	H
❖	TH
❖	HG
❖	WG
❖	M
❖	O
❖	QS

### Classic Leg

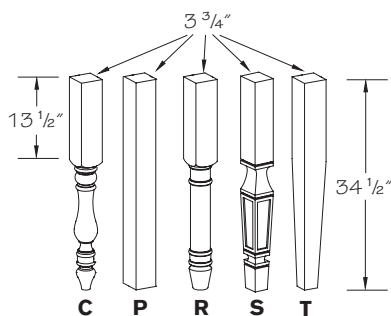
**CL334**  
**CL342**



- Solid wood
- Painted hardwood supplied for EverCore® and Thermofoil
- Painted or Stained hardwood supplied for Wood-Grain Foil door styles
- Oak supplied for Hickory
- Crafted door styles will be supplied in plain sawn wood
- **Note:** Decorative feet or legs should support the cabinet by the end panels, **not** the cabinet floor
- Trimmable

❖	A
❖	C
❖	E
❖	H
❖	TH
❖	HG
❖	WG
❖	M
❖	O
❖	QS

### Decorative Island End Cap Legs



Classic Leg  
**CIECL434**  
Plain Square Post  
**PIECL434**  
Roman Spindle  
**RIECL434**  
Sterling Leg  
**STIECL434**  
Tapered Leg  
**TIECL434**

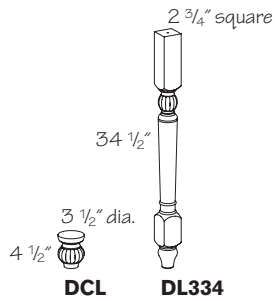
- Solid wood
- Painted hardwood supplied for EverCore® and Thermofoil
- ☆ Painted hardwood supplied for Wood-Grain Foil door styles; only available in white
- Dimension matches the legs used on Island End Cap cabinets
- **Note:** Decorative feet or legs should support the cabinet by the end panels, **not** the cabinet floor
- Trimmable

❖	A
❖	C
❖	E
❖	H
❖	TH
❖	HG
☆	WG
❖	M
❖	O
❖	QS



## Decorative Leg

**DCL**  
**DL334**

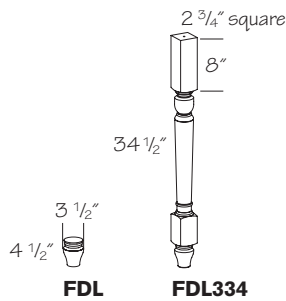


- Solid wood
- Painted hardwood supplied for EverCore® and Thermofoil
- ☆ Painted hardwood supplied for Wood-Grain Foil door styles; only available in white
- **Note:** Decorative feet or legs should support the cabinet by the end panels, **not** the cabinet floor
- Trimmable

◇	A
◇	C
◇	E
◇	H
◇	TH
◇	HG
☆	WG
◇	M
◇	O
◇	QS

## Federal Leg

**FDL**  
**FDL334**

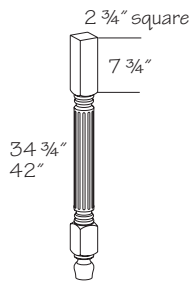


- Solid wood
- Painted hardwood supplied for EverCore® and Thermofoil
- ☆ Painted hardwood supplied for Wood-Grain Foil door styles; only available in white
- **Note:** Decorative feet or legs should support the cabinet by the end panels, **not** the cabinet floor
- Trimmable

◇	A
◇	C
◇	E
◇	H
◇	TH
◇	HG
☆	WG
◇	M
◇	O
◇	QS

## Fluted Leg

**FL334**  
**FL342**

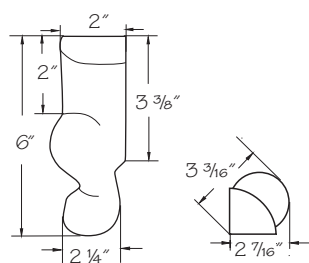


- Solid wood
- Painted hardwood supplied for EverCore® and Thermofoil
- Painted or Stained hardwood supplied for Wood-Grain Foil door styles
- Oak supplied for Hickory
- Crafted door styles will be supplied in plain sawn wood
- **Note:** Decorative feet or legs should support the cabinet by the end panels, **not** the cabinet floor
- Trimmable

◇	A
◇	C
◇	E
◇	H
◇	TH
◇	HG
◇	WG
◇	M
◇	O
◇	QS

## French Leg

**FRL**

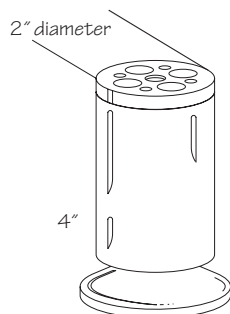


- Solid wood
- Painted hardwood supplied for EverCore® and Thermofoil
- Painted or Stained hardwood supplied for Wood-Grain Foil door styles
- Maple supplied for Hickory, Oak and quartersawn Oak
- **Note:** Decorative feet or legs should support the cabinet by the end panels, **not** the cabinet floor
- Trimmable

◇	A
◇	C
◇	E
◇	H
◇	TH
◇	HG
◇	WG
◇	M
◇	O
◇	QS

## Stainless Round Leg

**SRL.4** Adjustable from:  
4" - 4 3/4"

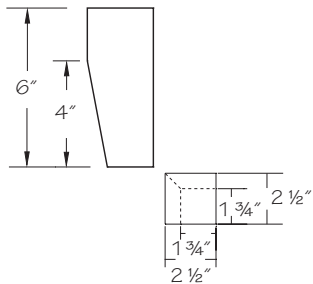


- Mounting plate included; mounting screws are **not**
- **Note:** Decorative feet or legs should support the cabinet by the end panels, **not** the cabinet floor

◇	A
◇	C
◇	E
◇	H
◇	TH
◇	HG
◇	WG
◇	M
◇	O
◇	QS

### Tapered Leg

#### TPL

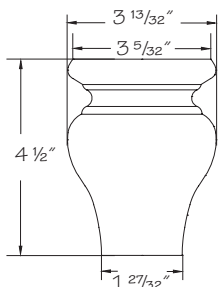


- Solid wood
- Painted hardwood supplied for EverCore® and Thermofoil
- Painted or Stained hardwood supplied for Wood-Grain Foil door styles
- Oak supplied for Hickory
- Crafted door styles will be supplied in plain sawn wood
- **Note:** Decorative feet or legs should support the cabinet by the end panels, **not** the cabinet floor
- Trimmable

❖	A
❖	C
❖	E
❖	H
❖	TH
❖	HG
❖	WG
❖	M
❖	O
❖	QS

### Tulip Leg

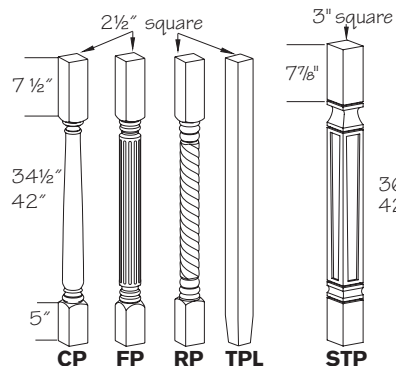
#### TLL



- Solid wood
- Painted hardwood supplied for EverCore® and Thermofoil
- Painted or Stained hardwood supplied for Wood-Grain Foil door styles
- Oak supplied for Hickory
- **Note:** Decorative feet or legs should support the cabinet by the end panels, **not** the cabinet floor
- Crafted door styles will be supplied in plain sawn wood
- Trimmable

❖	A
❖	C
❖	E
❖	H
❖	TH
❖	HG
❖	WG
❖	M
❖	O
❖	QS

### Decorative Posts



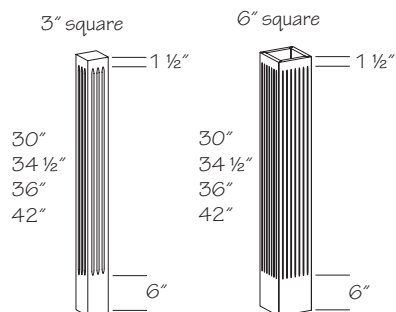
- Classic*  
**CP234**  
**CP242**
- Fluted*  
**FP234**  
**FP242**
- Rope*  
**RP234**  
**RP242**
- Tapered*  
**TPL34**  
**TPL42**
- Sterling*  
\* **STP336**  
\* **STP342**

\* Available in Alder, Cherry, Thermofoil and Maple door styles only

- Solid wood
- Painted hardwood supplied for EverCore® and Thermofoil
- Painted or Stained hardwood supplied for Wood-Grain Foil door styles
- Oak supplied for Hickory
- Crafted door styles will be supplied in plain sawn wood
- Trimmable

❖	A
❖	C
❖	E
☆	H
❖	TH
❖	HG
❖	WG
❖	M
❖	O
❖	QS

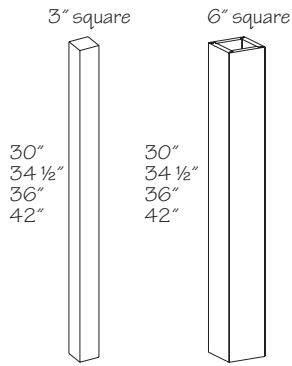
### Fluted Square Posts



- FSP3X3.30**
- FSP6X6.30**
- FSP3X3.34**
- FSP6X6.34**
- FSP3X3.36**
- FSP6X6.36**
- FSP3X3.42**
- FSP6X6.42**

- Solid wood
- Painted hardwood supplied for EverCore® and Thermofoil
- Painted or Stained hardwood supplied for Wood-Grain Foil door styles

❖	A
❖	C
❖	E
❖	H
❖	TH
❖	HG
❖	WG
❖	M
❖	O
❖	QS



### Plain Square Posts

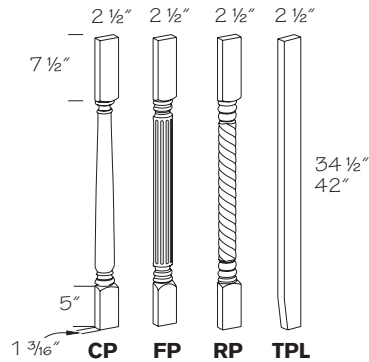
- **PSP3X3.30**
- **PSP6X6.30**
- **PSP3X3.34**
- **PSP6X6.34**
- **PSP3X3.36**
- **PSP6X6.36**
- **PSP3X3.42**
- **PSP6X6.42**

■ Unavailable in Wood-Grain Foil door styles

- Solid wood
- Painted hardwood supplied for EverCore® and Thermofoil
- Painted or Stained hardwood supplied for Wood-Grain Foil door styles
- Crafted door styles will be supplied in plain sawn wood

❖	A
❖	C
❖	E
❖	H
❖	TH
❖	HG
☆	WG
❖	M
❖	O
❖	QS

### Split Decorative Posts

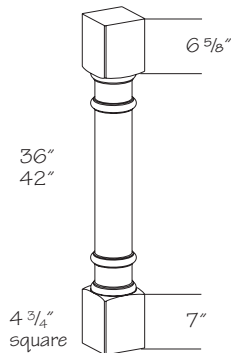


- Classic*  
**CP234 .S**
- Fluted*  
**FP234 .S**
- Rope*  
**RP234 .S**
- Tapered*  
**TPL34 .S**

- Solid wood
- Painted hardwood supplied for EverCore® and Thermofoil
- Painted or Stained hardwood supplied for Wood-Grain Foil door styles
- Oak supplied for Hickory
- Crafted door styles will be supplied in plain sawn wood
- Trimmable

❖	A
❖	C
❖	E
❖	H
❖	TH
❖	HG
❖	WG
❖	M
❖	O
❖	QS

### Roman Spindles

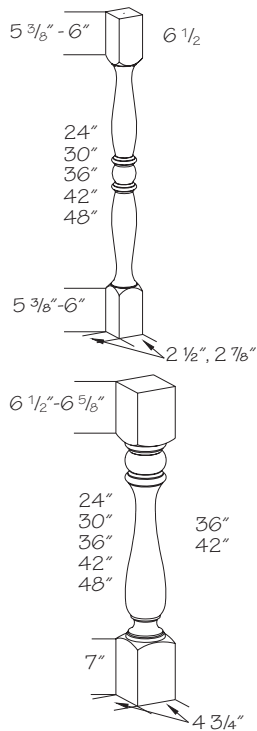


- **RSP536**
- **RSP542**

- Solid wood
- Painted hardwood supplied for EverCore® and Thermofoil
- Painted or Stained hardwood supplied for Wood-Grain Foil door styles
- Oak supplied for Hickory
- Crafted door styles will be supplied in plain sawn wood

❖	A
❖	C
❖	E
❖	H
❖	TH
❖	HG
❖	WG
❖	M
❖	O
❖	QS

### Spindles

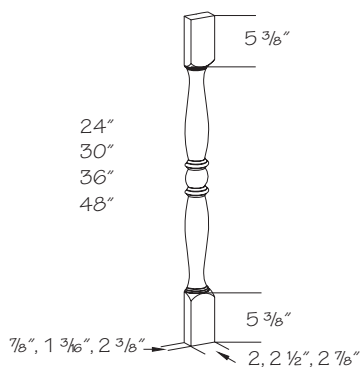


- SP224** 2" x 2" x 24"
- SP230** 2 1/2" x 2 1/2" x 30"
- SP336** 2 7/8" x 2 7/8" x 36"
- SP536** 4 3/4" x 4 3/4" x 36"
- SP342** 2 7/8" x 2 7/8" x 42"
- SP542** 4 3/4" x 4 3/4" x 42"
- SP348** 2 7/8" x 2 7/8" x 48"

- Solid wood
- Painted hardwood supplied for EverCore® and Thermofoil
- Painted or Stained hardwood supplied for Wood-Grain Foil door styles
- Oak supplied for Hickory
- Crafted door styles will be supplied in plain sawn wood
- Trimmable 4" each end; SP224 trimmable 5"

❖	A
❖	C
❖	E
❖	H
❖	TH
	HG
❖	WG
❖	M
❖	O
❖	QS

### Split Spindles

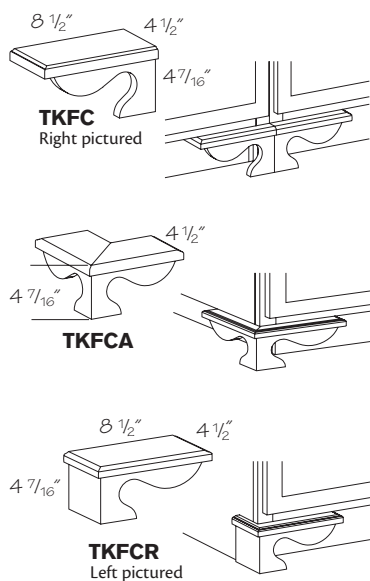


- SP224 .S** 2" x 7/8" x 24"
- SP230 .S** 2 1/2" x 1 3/16" x 30"
- SP336 .S** 2 7/8" x 2 3/8" x 36"
- SP348 .S** 2 7/8" x 2 3/8" x 48"

- Solid wood
- Painted hardwood supplied for EverCore® and Thermofoil
- Painted or Stained hardwood supplied for Wood-Grain Foil door styles
- Oak supplied for Hickory
- Crafted door styles will be supplied in plain sawn wood
- Trimmable 4" each end; SP224.S trimmable 5"

❖	A
❖	C
❖	E
❖	H
❖	TH
	HG
❖	WG
❖	M
❖	O
❖	QS

### Toe Kick Furniture Corner



- TKFC .R or L**
- TKFCA**
- TKFCR .R or L**

- Specify R or L
- Solid wood
- Painted hardwood supplied for EverCore® and Thermofoil
- Painted or Stained hardwood supplied for Wood-Grain Foil door styles
- Crafted door styles will be supplied in plain sawn wood
- When using TKFCA with base cabinets specify recessed toe kick
- **Note:** Decorative feet or legs should support the cabinet by the end panels, **not** the cabinet floor

❖	A
❖	C
❖	E
❖	H
❖	TH
	HG
❖	WG
❖	M
❖	O
❖	QS

<b>7077</b>	<b>•M</b>
code	maple

Color variation may exist between decorative hardware designs that share same finish color name.

### Satin Chrome 5" Center Pull

205



### Matte Nickel Knob

506



### Medium Football Knob

**3003** Oil Rubbed Bronze; Also see companion 3004  
**3015** Satin Nickel



### Oil Rubbed Bronze Pull

3004

• Also see companion 3003



### Satin Nickel Knob

3013



### Brushed Brass Tapered Knob

3013 .BBS



### Satin Nickel Tapered Bow Pull

**3018** 2 1/2" center  
**3019** 3 25/32" center  
**3020** 5 1/32" center  
**3021** 8 13/16" center





### Brushed Brass Tapered Bow Pull

<b>3018 .BBS</b>	2 1/2" center
<b>3019 .BBS</b>	3 25/32" center
<b>3020 .BBS</b>	5 1/32" center
<b>3021 .BBS</b>	8 13/16" center



### Satin Nickel Dog Bone Pull

<b>3023</b>	3 25/32" center
<b>3024</b>	5 1/32" center



### Aluminum Round Bar Pull

<b>3035</b>	6 5/16" center
<b>3036</b>	10 1/16" center
<b>3037</b>	13 27/32" center
<b>3038</b>	16 3/8" center



### Aluminum Integrated Pull

**3042**

- Use a 7/64" drill bit for pilot holes
- Designed to be screwed into back of door
- For use on aluminum frame doors



### Aluminum Integrated Angled Pull

**3043**

- Use a 7/64" drill bit for pilot holes
- Designed to be screwed into back of door
- For use on aluminum frame doors
- Use on Wall Top Hinge cabinets when stacking on top of Wall Lateral Bifold cabinets



### Tailored Knob

<b>7017 .DBB</b>	Dark Brushed Bronze
<b>7017 .MN</b>	Matte Nickel
<b>7017 .PN</b>	Polished Nickel



### Square Wood Knob

<b>7023 .C</b>	Cherry
<b>7023 .M</b>	Maple
<b>7023 .O</b>	Oak

- Available in Cherry, Maple, Oak and Foil finishes
- Thermofoils are painted hardwood
- Unavailable in High-Gloss Foil finishes



### Antique Knob

<b>7025</b>	Antique pewter and copper
-------------	---------------------------



### Antique Pull

*Standard Pulls*  
**7026** 3 25/32" center  
**7104** 8" center

*Appliance Pulls*  
**7105** 13" center  
**7106** 18" center

- Antique pewter and copper



### Trunk Pull

**7033 .AP** Antique Pewter  
**7033 .BP** Blackened Pewter  
**7033 .MN** Matte Nickel

- Suitcase type with faux screws



### Aged Bronze Knob

**7034**

- Distressed aged bronze



### Aged Bronze Pull

**7035**

- Distressed aged bronze



### Tailored Pull

**7040 .DBB** Dark Brushed Bronze  
**7040 .MN** Matte Nickel  
**7040 .PN** Polished Nickel

- Distressed aged bronze



### Pewter Domed Ring Knob

**7053**

- Distressed aged bronze



### Pewter Ringed Pull

**7054**

- Distressed aged bronze



### Olive Leaf Pull

*Standard Pulls*  
**7065 .AP** Antique Pewter 3" center  
**7107 .AP** Antique Pewter 8" center

*Appliance Pulls*  
**7108 .AP** Antique Pewter 13" center  
**7109 .AP** Antique Pewter 18" center

- Distressed aged bronze



### Olive Leaf Knob

**7066 .AP** Antique Pewter

- Distressed aged bronze



**Aged Pewter Beaded Pull**  
7067



**Aged Pewter Beaded Knob With Backplate**  
7068



**Venetian Bronze Victorian Leaf Pull**

7070 3" center  
7110 8" center  
7111 13" center  
7112 18" center



**Venetian Bronze Rustic Knob**  
7071



**Round Knob**

7077 .C Cherry  
7077 .M Maple  
7077 .O Oak

- Available in Cherry, Maple, Oak and Foil finishes
- Thermofoils are painted hardwood
- Unavailable in High-Gloss Foil finishes



**Bar Pull**

*Standard Pulls*  
 ※ 7085 .AB Ancient Bronze 2 17/32" center  
 7085 .SS Stainless Steel 2 17/32" center  
 7086 .AB Ancient Bronze 6 5/16" center  
 7086 .SS Stainless Steel 6 5/16" center  
*Appliance Pulls*  
 7087 .AB Ancient Bronze 11 11/32" center  
 7087 .SS Stainless Steel 11 11/32" center  
 7088 .AB Ancient Bronze 17 5/8" center  
 7088 .SS Stainless Steel 17 5/8" center

※ Overall width is 4"



**French Farm Round Knob**

7113 .AB Ancient Bronze  
7113 .AN Antique Nickel  
7113 .STB Statuary Bronze



**French Farm Cup Pull**

7114 .AB Ancient Bronze  
7114 .AN Antique Nickel  
7114 .STB Statuary Bronze





### French Farm Pull

*Standard Pulls*

<b>7115 .AB</b>	Ancient Bronze	3 25/32" center
<b>7115 .AN</b>	Antique Nickel	3 25/32" center
<b>7115 .STB</b>	Statuary Bronze	3 25/32" center
<b>7116 .AB</b>	Ancient Bronze	8" center
<b>7116 .AN</b>	Antique Nickel	8" center
<b>7116 .STB</b>	Statuary Bronze	8" center

*Appliance Pulls*

<b>7117 .AB</b>	Ancient Bronze	12" center
<b>7117 .AN</b>	Antique Nickel	12" center
<b>7117 .STB</b>	Statuary Bronze	12" center



### Empire Knob

<b>7118 .AN</b>	Antique Nickel
<b>7118 .PN</b>	Polished Nickel



### Empire Square Knob

<b>7119 .AN</b>	Antique Nickel
<b>7119 .PN</b>	Polished Nickel



### Empire Pull

*Standard Pulls*

<b>7120 .AN</b>	Antique Nickel	4" center
<b>7120 .PN</b>	Polished Nickel	4" center
<b>7121 .AN</b>	Antique Nickel	8" center
<b>7121 .PN</b>	Polished Nickel	8" center

*Appliance Pulls*

<b>7122 .AN</b>	Antique Nickel	12" center
<b>7122 .PN</b>	Polished Nickel	12" center
<b>7123 .AN</b>	Antique Nickel	15" center
<b>7123 .PN</b>	Polished Nickel	15" center



### Pearl Beaded Knob

<b>7124 .AN</b>	Antique Nickel
<b>7124 .PN</b>	Polished Nickel



### Pearl Beaded Pull

<b>7125 .AN</b>	Antique Nickel
<b>7125 .PN</b>	Polished Nickel



### Crescent Knob

<b>7126 .AN</b>	Antique Nickel
<b>7126 .BB</b>	Brushed Bronze
<b>7126 .PN</b>	Polished Nickel
<b>7126 .STB</b>	Statuary Bronze



### Crescent Pull

<b>7127 .AN</b>	Antique Nickel	3 25/32" center
<b>7127 .BB</b>	Brushed Bronze	3 25/32" center
<b>7127 .PN</b>	Polished Nickel	3 25/32" center
<b>7127 .STB</b>	Statuary Bronze	3 25/32" center
<b>7128 .AN</b>	Antique Nickel	6" center
<b>7128 .BB</b>	Brushed Bronze	6" center
<b>7128 .PN</b>	Polished Nickel	6" center
<b>7128 .STB</b>	Statuary Bronze	6" center



### Baluster Knob

<b>7131 .APC</b>	Antique Pewter w/Copper
<b>7131 .BB</b>	Brushed Bronze
<b>7131 .SN</b>	Satin Nickel
<b>7131 .STB</b>	Statuary Bronze



### Baluster Pull

#### Standard Pulls

<b>7132 .APC</b>	Antique Pewter w/Copper	3 25/32" center
<b>7132 .BB</b>	Brushed Bronze	3 25/32" center
<b>7132 .SN</b>	Satin Nickel	3 25/32" center
<b>7132 .STB</b>	Statuary Bronze	3 25/32" center
<b>7133 .APC</b>	Antique Pewter w/Copper	6" center
<b>7133 .BB</b>	Brushed Bronze	6" center
<b>7133 .SN</b>	Satin Nickel	6" center
<b>7133 .STB</b>	Statuary Bronze	6" center
<b>7134 .APC</b>	Antique Pewter w/Copper	8" center
<b>7134 .BB</b>	Brushed Bronze	8" center
<b>7134 .SN</b>	Satin Nickel	8" center
<b>7134 .STB</b>	Statuary Bronze	8" center

#### Appliance Pulls

<b>7135 .APC</b>	Antique Pewter w/Copper	12" center
<b>7135 .BB</b>	Brushed Bronze	12" center
<b>7135 .SN</b>	Satin Nickel	12" center
<b>7135 .STB</b>	Statuary Bronze	12" center
<b>7136 .APC</b>	Antique Pewter w/Copper	15" center
<b>7136 .BB</b>	Brushed Bronze	15" center
<b>7136 .SN</b>	Satin Nickel	15" center
<b>7136 .STB</b>	Statuary Bronze	15" center



### Heritage Pull

<b>7138 .AB</b>	Ancient Bronze
<b>7138 .AN</b>	Antique Nickel



### Heritage Knob

<b>7137 .AB</b>	Ancient Bronze
<b>7137 .AN</b>	Antique Nickel



### Sail Knob

<b>7139 .SN</b>	Satin Nickel
<b>7139 .STB</b>	Statuary Bronze



### Sail Pull

<b>7140 .SN</b>	Satin Nickel	3 25/32" center
<b>7140 .STB</b>	Statuary Bronze	3 25/32" center
<b>7141 .SN</b>	Satin Nickel	6" center
<b>7141 .STB</b>	Statuary Bronze	6" center



### Heirloom Knob

**7146 .STB** Statuary Bronze



### Heirloom Pull

**7147 .STB** Statuary Bronze 3 25/32" center  
**7148 .STB** Statuary Bronze 6" center



### Simplicity Pull

**7151 .PN** Polished Nickel 3 25/32" center  
**7151 .DBB** Dark Brushed Bronze 3 25/32" center  
**7151 .STB** Statuary Bronze 3 25/32" center  
**7152 .PN** Polished Nickel 6" center  
**7152 .DBB** Dark Brushed Bronze 6" center  
**7152 .STB** Statuary Bronze 6" center



### Simplicity Knob

**7153 .DBB** Dark Brushed Bronze  
**7153 .PN** Polished Nickel  
**7153 .STB** Statuary Bronze



### Modern Pull

**7154 .PC** Polished Chrome



### Modern Cup Pull

**7156 .PC** Polished Chrome



### Federal Knob

**7159 .AB** Ancient Bronze  
**7159 .AN** Antique Nickel



### Federal Pull

**7160 .AB** Ancient Bronze  
**7160 .AN** Antique Nickel



### Trunk Knob

**7161 .AP** Antique Pewter  
**7161 .BP** Blackened Pewter  
**7161 .MN** Matte Nickel



### Trunk Cup Pull

**7162 .AP** Antique Pewter  
**7162 .BP** Blackened Pewter  
**7162 .MN** Matte Nickel



### Fordham Knob

**7165 .PN** Polished Nickel  
**7165 .STB** Statuary Bronze



### Fordham Bin Pull

**7166 .PN** Polished Nickel  
**7166 .STB** Statuary Bronze



### Jericho Knob

**7167 .AP** Antique Pewter  
**7167 .PC** Polished Chrome



### Jericho Pull

**7168 .AP** Antique Pewter w/Soft Iron Center Bar  
**7168 .PC** Polished Chrome w/Matte Black Center Bar



### Mode Knob

**7169 .BB** Brushed Bronze  
**7169 .BBS** Brushed Brass  
**7169 .PC** Polished Chrome



### Mode Pull

#### Standard Pulls

<b>7170 .BB</b>	Brushed Bronze	4" center
<b>7170 .BBS</b>	Brushed Brass	4" center
<b>7170 .PC</b>	Polished Chrome	4" center
<b>7171 .BB</b>	Brushed Bronze	8" center
<b>7171 .BBS</b>	Brushed Brass	8" center
<b>7171 .PC</b>	Polished Chrome	8" center

#### Appliance Pulls

<b>7172 .BB</b>	Brushed Bronze	12" center
<b>7172 .BBS</b>	Brushed Brass	12" center
<b>7172 .PC</b>	Polished Chrome	12" center
<b>7173 .BB</b>	Brushed Bronze	18" center
<b>7173 .BBS</b>	Brushed Brass	18" center
<b>7173 .PC</b>	Polished Chrome	18" center



### Tide Bar Pull

<b>7174 .BB</b>	Brushed Bronze	4" center
<b>7174 .SC</b>	Satin Chrome w/Polished Chrome Inset	4" center
<b>7175 .BB</b>	Brushed Bronze	8" center
<b>7175 .SC</b>	Satin Chrome w/Polished Chrome Inset	8" center
<b>7176 .BB</b>	Brushed Bronze	12" center
<b>7176 .SC</b>	Satin Chrome w/Polished Chrome Inset	12" center
<b>7177 .BB</b>	Brushed Bronze	18" center
<b>7177 .SC</b>	Satin Chrome w/Polished Chrome Inset	18" center



### Waterton Knob

**7183 .BBS** Brushed Brass  
**7183 .SN** Satin Nickel

## Waterton Pull



### Standard Pulls

<b>7184 .BBS</b>	Brushed Brass	4" center
<b>7184 .SN</b>	Satin Nickel	4" center
<b>7185 .BBS</b>	Brushed Brass	8" center
<b>7185 .SN</b>	Satin Nickel	8" center

### Appliance Pulls

<b>7186 .BBS</b>	Brushed Brass	12" center
<b>7186 .SN</b>	Satin Nickel	12" center
<b>7187 .BBS</b>	Brushed Brass	18" center
<b>7187 .SN</b>	Satin Nickel	18" center

## Smithwick Knob



<b>7188 .SN</b>	Satin Nickel
<b>7188 .SNW</b>	Satin Nickel and White

## Smithwick Pull



<b>7189 .SN</b>	Satin Nickel	4" center
<b>7189 .SNW</b>	Satin Nickel and White	4" center

New



## Deco Knob Disc

<b>7190 .PN</b>	Polished Nickel
<b>7190 .CZ</b>	Champagne Bronze

*Grey color coding indicates new product, size or code.*

New



## Deco Knob Step

<b>7191 .PN</b>	Polished Nickel
<b>7191 .CZ</b>	Champagne Bronze

*Grey color coding indicates new product, size or code.*

New



## Deco Pull

### Standard Pulls

<b>7192 .PN</b>	Polished Nickel	4" center
<b>7192 .CZ</b>	Champagne Bronze	4" center
<b>7193 .PN</b>	Polished Nickel	5" center
<b>7193 .CZ</b>	Champagne Bronze	5" center

### Appliance Pulls

<b>7194 .PN</b>	Polished Nickel	12" center
<b>7194 .CZ</b>	Champagne Bronze	12" center

*Grey color coding indicates new product, size or code.*

New



## Square Symmetry Knob

<b>7195 .FB</b>	Flat Black
<b>7195 .SN</b>	Satin Nickel

*Grey color coding indicates new product, size or code.*

New



## Round Symmetry Knob

<b>7196 .FB</b>	Flat Black
<b>7196 .SN</b>	Satin Nickel

*Grey color coding indicates new product, size or code.*

New



### Symmetry Pull

*Standard Pulls*

<b>7197 .FB</b>	Flat Black	3 25/32" center
<b>7197 .SN</b>	Satin Nickel	3 25/32" center
<b>7198 .FB</b>	Flat Black	6 19/64" center
<b>7198 .SN</b>	Satin Nickel	6 19/64" center

*Appliance Pulls*

<b>7199 .FB</b>	Flat Black	12" center
<b>7199 .SN</b>	Satin Nickel	12" center

*Grey color coding indicates new product, size or code.*

New



### Curved Pull

<b>7200 .FB</b>	Flat Black	3 25/32" center
<b>7201 .FB</b>	Flat Black	5 1/32" center
<b>7202 .FB</b>	Flat Black	6 19/64" center
<b>7203 .FB</b>	Flat Black	8 13/16" center

*Grey color coding indicates new product, size or code.*

# Replacement Hardware

**PBDR**

**12**

code

depth

## Whisper Touch™ Angle Restrictor Clip



### WTHARC

- Limits hinge opening angle to 86 degrees (+/- 2 degrees)
- **Cannot** be used in cabinets with installed accessories
- Packaged and sold four per box

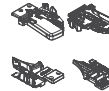
## Replacement Runners for Toe Kick Drawer



### PDRTKD18 PDRTKD21 PDRTKD24

- 100 lb. capacity
- Packaged and sold as a pair

## Whisper Touch™ Drawer Clips



### BOX -BWTDC

- Box of ten; five left and five right

### PBWTDC

- Packaged and sold as a pair

### PBWTDC -S

- Packaged and sold as a pair

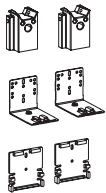
## Adjustable Shelf Clips



### BOX .ASC

- Adjustable clear plastic clip locks in eight positions for approximately 1 5/8" of vertical adjustment
- Includes slip resistant pads
- Ten per box

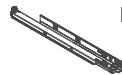
## Whisper Touch™ Deluxe Dovetailed Roll-Out Tray Mounting Block Kit



### BWTDXROTK

- Includes mounting blocks, drawer glide mounting sleeves and fasteners
- Packaged and sold as a pair

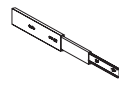
## Whisper Touch™ Base Pantry Pull-Out Runners



### PBWTBPPDR24

- 90 lbs. capacity
- Packaged and sold as a pair
- **Must** order drawer clips separately

## Full Extension Drawer Runner



### PFDR12 PFDR15 PFDR18 PFDR21 PFDR24

- 75 lbs. capacity
- Packaged and sold as a pair

## Shelf Clips



### BOX -SC12

- For 1/2" thick shelves

### BOX -SC34

- For 3/4" thick shelves

- Ten per box

## Whisper Touch™ Drawer Runners



### PBWTDR12 PBWTDR15 PBWTDR18 PBWTDR21 PBWTDR24

- 90 lbs. capacity
- Packaged and sold as a pair
- **Must** order drawer clips separately

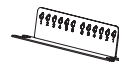
## Whisper Touch™ Vanity Base Pull-Out Runners



### PBWTVPDR21

- 90 lbs. capacity
- Packaged and sold as a pair
- **Must** order drawer clips separately

## Deluxe Roll-out Tray Extension Tail



### PBDRET

- Required when installing Deluxe Dovetailed Roll-out Trays and Chrome Deluxe Roll-out Trays in cabinets with modified depth. **Not** Necessary for 24", 21" and 18" deep cabinets

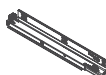
## Front Shelf Clips



### BOX .SCF

- Ten per box (Five left and five right)

## Whisper Touch™ Drawer Runners for Two Drawer Cabinets



### PBWTDR21 -2 PBWTDR24 -2

- 90 lbs. capacity
- Packaged and sold as a pair
- **Must** order drawer clips separately

## Whisper Touch™ Deluxe Dovetailed Roll-Out Tray Drawer Runners



### PBWTDXR18 PBWTDXR21 PBWTDXR24

- 90 lbs. capacity
- Packaged and sold as a pair
- **Must** order drawer clips separately

## Door Stop Kit



### DSTK

- Mounting hardware included

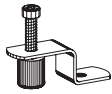
## False Front Clips



### BOX .SFFC

- Mounting hardware included
- Ten per box

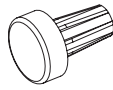
**Door Insert Clips**



**BOX .IC**

- Mounting screws included
- Eight per box

**Permaset Bumpers**



**BOX .PSDB**

- Ten per box

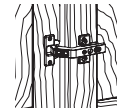
**Hinges - Partial Overlay Concealed**



**PH12PO**

- Packaged and sold as a pair

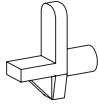
**Hinges - Bifold**



**PHBF**

- Packaged and sold as a pair

**Furniture Shelf Rests**



**BOX .FSR**

- Ten per box

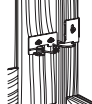
**Glass Insert Retainer Strip**



**MDRS**

- Specify length needed, in feet

**Knife Hinges**



**PH12K**

- Packaged and sold as a pair

**Vinyl Edgebanding**



**EDB**

- 7/8" wide
- Sold by the foot (quantity ordered will equal the number of feet needed)
- **Not** self-adhesive; installation will require contact cement

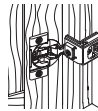
**Glass Shelf Rests**



**BOX .GSR**

- Twelve per box

**Whisper Touch™ Hinges - Full Overlay**



**PH1516FO -SC  
PH34FO -SC**

- Packaged and sold as a pair

**Hinges - Partial or Full Overlay Easy Reach**



**PH170EZ**

- Packaged and sold as a pair

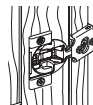
**Hardware Screws**



**BOX .HS**

- Specify door or drawer and hardware type
- Ten per box

**Whisper Touch™ Hinges - 1/2" Overlay**



**PH12C -SC**

- Packaged and sold as a pair

**Installation Screws**



**BOX .IS**

- Each pack includes 4 mounting screws and 2 cabinet-to-cabinet screws
- Mounting screws are 2 3/4" long
- Cabinet-to-cabinet screws are 2 1/2" long
- Ten packs per box

**Whisper Touch™ Hinges - Face Mount**



**PHFM -SC**

- Packaged and sold as a pair



# Replacement Door & Drawer Front Information

Replacement doors and drawer fronts are listed by their nomenclature. They are sorted by their nominal height from largest to smallest.

To order replacement parts for modified cabinets, go to <https://info.mascocabinetry.com/group/designerexchange-home-depot1/order-tracking>

**The Part Index is now located on <https://info.mascocabinetry.com> and in 2020 Design under the Cabinet Parts section.**

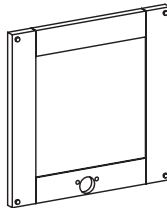
This lists all cabinets and tells you the corresponding replacement doors and drawer fronts.

Replacement doors may be ordered for wall or base application. When ordering, specify door style, hinging and •W (wall) or •B (base). Any arch doors ordered as •B will be shipped in a square design.

**Example:** You need a replacement door for a wall 1830, hinged left.

**Order: RD1830L•W**

Replacement doors are prepared for hinges. Replacement door and drawer fronts are automatically drilled for PermaSet bumpers. If a door is specified for no hinge (NH), the door is drilled in all four corners for bumpers (bumpers are included) and will also receive a single cup hinge bore for internal tracking purposes.



Replacement doors with glass inserts or mullion inserts installed are available on doors 12" or wider up to 42" high. To order, determine the replacement door(s) required and add desired glass insert or mullion insert.

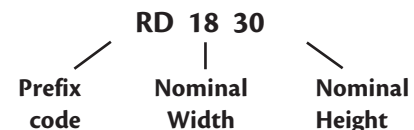
**Example:** You need a Chateau glass insert for a wall 1830, hinged left.

**Order: RD1830L•W-1CHA1**  
**Pricing: RD1830L•W**  
+ 1 Chateau Insert for 12" - 30" high  
**= Total for replacement door with insert installed**

**Example:** You need a Mullion insert for a wall 1836, hinged left.

**Order: RD1836L•W-1MD2**  
**Pricing: RD1836L•W**  
+ 1 Mullion Insert for 36" - 42" high  
**= Total for mullion door with insert installed**

Replacement doors and drawer fronts are coded for easy reference. The prefix codes indicate door or drawer and usage. The first two digits indicate nominal width and the second two digits indicate nominal height.



Prefix codes are as follows:

RD	replacement door
RDA	replacement door angle
RDAAG	replacement door angle appliance garage
RDADP	replacement door angle double panel
RDAG	replacement door appliance garage
RDB	replacement door butt
RDBDP	replacement door butt double panel
RDBI	replacement door base inside angle
RDBO	replacement door base outside angle
RDDEZR*	replacement door desk easy reach (two doors hinged together)
RDDP	replacement door double panel
RDE	replacement door operational end
RDEZR*	replacement door easy reach (two doors hinged together)
RDLS	replacement door lazy susan (two doors mitered together)
RDM	replacement door multi-storage pantry (door storage unit attached)
RDMC	replacement door mirror cabinet
RDW	replacement drawer front
RDWA	replacement drawer front angle
RDWBCD	replacement drawer front base corner drawer
RDWEZR*	replacement door wall easy reach (two doors hinged)
RDWFD	replacement door wall furniture drawer
RDWI	replacement door wall inside angle
RDWLBF	replacement door wall lateral bifold cabinet
RDWO	replacement door wall outside angle
RDWTHG	replacement door wall top hinge
RDWWHV	replacement drawer front wall hung vanity
RDWZ*	replacement door wall easy reach (individual doors)
RDZ*	replacement door easy reach (individual doors)

PART	1/2" Overlay	Full Overlay	PART	1/2" Overlay	Full Overlay
RDB3971L.B or .W	18 7/16 x 18"	19 1/4 x 19 5/8"	RD0954.B or .W	N/A	8 5/8 x 53 5/8"
RDB4271L.B or .W	19 15/16 x 18"	20 3/4 x 19 5/8"	RD0654.B or .W	N/A	5 5/8 x 53 5/8"
RDB4571L.B or .W	21 7/16 x 18"	22 1/4 x 19 5/8"			
RDB4871.B or .W	22 15/16 x 18"	23 3/4 x 19 5/8"	RD0648.B or .W	N/A	5 5/8 x 47 5/8"
RDB3371.B or .W	15 7/16 x 18"	16 1/4 x 19 5/8"			
RD3071.B or .W	13 15/16 x 18"	14 3/4 x 19 5/8"	RDE1247.B or .W	N/A	10 5/8 x 47 5/8"
RD3671.B or .W	16 15/16 x 18"	17 3/4 x 19 5/8"	RDB3347.B or .W	N/A	16 1/4 x 47 5/8"
			RDB2447.B or .W	N/A	11 3/4 x 47 5/8"
RD1567.B	13 x 26 1/2"	14 5/8 x 25 7/8"	RDA2447.B or .W	N/A	14 5/8 x 47 5/8"
			RD3647.B or .W	N/A	17 3/4 x 47 5/8"
RDB3366.B	15 7/16 x 26"	16 1/4 x 25 5/8"	RD3347.B or .W	N/A	16 1/8 x 47 5/8"
RDB2466.B	10 15/16 x 26"	11 3/4 x 25 5/8"	RD3047.B or .W	N/A	14 3/4 x 47 5/8"
RD3666.B	16 15/16 x 26"	17 3/4 x 25 5/8"	RD2747.B or .W	N/A	13 1/4 x 47 5/8"
RD3066.B	13 15/16 x 26"	14 3/4 x 25 5/8"	RD2447.B or .W	N/A	23 5/8 x 47 5/8"
RD2766.B	12 7/16 x 26"	13 1/4 x 25 5/8"	RD2147.B or .W	N/A	20 5/8 x 47 5/8"
RD2466.B	22 x 26"	23 5/8 x 25 5/8"	RD1847.B or .W	N/A	17 5/8 x 47 5/8"
RD2166.B	19 x 26"	20 5/8 x 25 5/8"	RD1547.B or .W	N/A	14 5/8 x 47 5/8"
RD1866.B	16 x 26"	17 5/8 x 25 5/8"	RD1247.B or .W	N/A	11 5/8 x 47 5/8"
RD1566.B	13 x 26"	14 5/8 x 25 5/8"	RD0947.B or .W	N/A	8 5/8 x 47 5/8"
RD1266.B or .W	10 x 26"	11 5/8 x 25 5/8"			
RD0966.B	7 x 26"	8 5/8 x 25 5/8"	RDZ2142	7 1/8 x 40"	7 15/16 x 41 5/8"
			RDZ2442	10 1/8 x 40"	10 15/16 x 41 5/8"
RDB2458.B or .W	10 15/16 x 56 1/2"	11 3/4 x 58 1/8"	RDWOAC42	9 x 40"	10 5/8 x 41 5/8"
RD2458.B or .W	22 x 56 1/2"	23 5/8 x 58 1/8"	RDWIAC42	14 1/16 x 40"	14 7/8 x 41 5/8"
RD1858.B or .W	16 x 56 1/2"	17 5/8 x 58 1/8"	RDWEZR2442	10 1/8 x 40"	10 15/16 x 41 5/8"
			RDWEZR2142	7 1/8 x 40"	7 15/16 x 41 5/8"
RDM3656.B	16 15/16 x 55"	17 3/4 x 55 5/8"	RDWZ3642	11 x 40"	11 13/32 x 41 5/8"
RDM2456.B	22 x 55"	23 5/8 x 55 5/8"	RDE1242.W.B or .W	9 x 40"	10 5/8 x 41 5/8"
RDE2456.B	21 x 55"	22 5/8 x 55 5/8"	RDB3342.B or .W	15 7/16 x 40"	16 1/4 x 41 5/8"
RDE1256.B	9 x 55"	10 5/8 x 55 5/8"	RDB2442.B or .W	10 15/16 x 40"	11 3/4 x 41 5/8"
RDB3356.B	15 7/16 x 55"	16 1/4 x 55 5/8"	RDA2442.B or .W	14 1/2 x 40"	14 5/8 x 41 5/8"
RDB2456.B or .W	10 15/16 x 55"	11 3/4 x 55 5/8"	RD4542.B or .W	20 1/2 x 40"	22 1/8 x 41 5/8"
RDA2456.B or .W	14 1/2 x 55"	14 5/8 x 55 5/8"	RD3942.B or .W	17 1/2 x 40"	19 1/8 x 41 5/8"
RD3656.B	16 15/16 x 55"	17 3/4 x 55 5/8"	RD3642.B or .W	16 15/16 x 40"	17 3/4 x 41 5/8"
RD3056.B	13 15/16 x 55"	14 3/4 x 55 5/8"	RD3342.B or .W	14 1/2 x 40"	16 1/8 x 41 5/8"
RD2756.B	12 7/16 x 55"	13 1/4 x 55 5/8"	RD3042.B or .W	13 15/16 x 40"	14 3/4 x 41 5/8"
RD2456.B or .W	22 x 55"	23 5/8 x 55 5/8"	RD2742.B or .W	12 7/16 x 40"	13 1/4 x 41 5/8"
RD2156.B	19 x 55"	20 5/8 x 55 5/8"	RD2442.W	22 x 40"	23 5/8 x 41 5/8"
RD1856.B or .W	16 x 55"	17 5/8 x 55 5/8"	RD2142.B or .W	19 x 40"	20 5/8 x 41 5/8"
RD1556.B	13 x 55"	14 5/8 x 55 5/8"	RD1842.B or .W	16 x 40"	17 5/8 x 41 5/8"
RD1256.B	10 x 55"	11 5/8 x 55 5/8"	RD1542.B or .W	13 x 40"	14 5/8 x 41 5/8"
RD0956.B	7 x 55"	8 5/8 x 55 5/8"	RD1242.B or .W	10 x 40"	11 5/8 x 41 5/8"
			RD0942.B or .W	7 x 40"	8 5/8 x 41 5/8"
RDDPE1254.B or .W	N/A	10 5/8 x 53 5/8"	RD0642.B or .W	N/A	5 5/8 x 41 5/8"
RDE2154.B or .W	18 x 52"	19 5/8 x 53 5/8"			
RDE1854.B or .W	15 x 52"	16 5/8 x 53 5/8"	RDZ2139	7 1/8 x 37"	7 15/16 x 38 5/8"
RDE1254.B or .W	9 x 52"	10 5/8 x 53 5/8"	RDWEZR2439	10 1/8 x 37"	10 15/16 x 38 5/8"
RDB3354.B or .W	N/A	16 1/4 x 53 5/8"	RDWEZR2139	7 1/8 x 37"	7 15/16 x 38 5/8"
RDB2454.B or .W	N/A	11 3/4 x 53 5/8"	RDWOAC39	9 x 37"	10 5/8 x 38 5/8"
RDA2454.B or .W	N/A	14 5/8 x 53 5/8"	RDWIAC39	14 1/16 x 37"	14 7/8 x 38 5/8"
RD3654.B or .W	N/A	17 3/4 x 53 5/8"	RDE1539.B or .W	12 x 37"	13 5/8 x 38 5/8"
RD3354.B or .W	N/A	16 1/8 x 53 5/8"	RDE1239.B or .W	9 x 37"	10 5/8 x 38 5/8"
RD3054.B or .W	N/A	14 3/4 x 53 5/8"	RDB3339.B or .W	15 7/16 x 37"	16 1/4 x 38 5/8"
RD2754L.B or .W	N/A	13 1/4 x 53 5/8"	RDB2439.B or .W	10 15/16 x 37"	11 3/4 x 38 5/8"
RD2454.B or .W	N/A	23 5/8 x 53 5/8"	RDA2439.B or .W	14 1/2 x 37"	14 5/8 x 38 5/8"
RD2154.B or .W	19 x 52"	20 5/8 x 53 5/8"	RD4539.B or .W	20 1/2 x 37"	22 1/8 x 38 5/8"
RD1854.B or .W	16 x 52"	17 5/8 x 53 5/8"	RD3939.B or .W	17 1/2 x 37"	19 1/8 x 38 5/8"
RD1554.B or .W	13 x 52"	14 5/8 x 53 5/8"	RD3639.B or .W	16 15/16 x 37"	17 3/4 x 38 5/8"
RD1254.B or .W	N/A	11 5/8 x 53 5/8"	RD3339.B or .W	14 1/2 x 37"	16 1/8 x 38 5/8"

PART	1/2" Overlay	Full Overlay	PART	1/2" Overlay	Full Overlay
RD2739.B or .W	12 7/16 x 37"	13 1/4 x 38 5/8"	RD1233.B or .W	10 x 31"	11 5/8 x 32 1/8"
RD2439.B or .W	22 x 37"	23 5/8 x 38 5/8"	RD0933.B or .W	7 x 31"	8 5/8 x 32 1/8"
RD2139.B or .W	19 x 37"	20 5/8 x 38 5/8"	RD0632.B or .W	N/A	5 5/8 x 32 5/8"
RD1839.B or .W	16 x 37"	17 5/8 x 38 5/8"			
RD1539.B or .W	13 x 37"	14 5/8 x 38 5/8"	RDZ2432.W	10 1/8 x 31"	10 15/16 x 32 5/8"
RD1239.B or .W	10 x 37"	11 5/8 x 38 5/8"	RDWEZR2432	10 1/8 x 31"	10 15/16 x 32 5/8"
RD0939.B or .W	7 x 37"	8 5/8 x 38 5/8"	RDWOAC32	9 x 31"	10 5/8 x 32 5/8"
RD0639.B or .W	N/A	5 5/8 x 38 5/8"	RDWIAC32	14 1/16 x 31"	14 7/8 x 32 5/8"
			RDE1532.B or .W	12 x 31"	13 5/8 x 32 5/8"
RDZ2436	10 1/8 x 34"	10 15/16 x 35 5/8"	RDE1232.B or .W	9 x 31"	10 5/8 x 32 5/8"
RDWEZR2436	10 1/8 x 34"	10 15/16 x 35 5/8"	RDB3332.B or .W	15 7/16 x 31"	16 1/4 x 32 5/8"
RDWEZR2136	7 1/8 x 34"	7 15/16 x 35 5/8"	RDB2432.B or .W	10 15/16 x 31"	11 3/4 x 32 5/8"
RDWZ3636	11 x 34"	11 13/32 x 35 5/8"	RDA2432.B or .W	14 1/2 x 31"	14 5/8 x 32 5/8"
RDWOAC36	9 x 34"	10 5/8 x 35 5/8"	RD4932.B or .W	22 1/2 x 31"	24 1/8 x 32 5/8"
RDWIAC36	14 1/16 x 34"	14 7/8 x 35 5/8"	RD4532.B or .W	20 1/2 x 31"	22 1/8 x 32 5/8"
RDWLBF3636	N/A	35 5/8 x 17 3/4"	RD4332.B or .W	19 1/2 x 31"	21 1/8 x 32 5/8"
RDWLBF3036	N/A	29 5/8 x 17 3/4"	RD3932.B or .W	17 1/2 x 31"	19 1/8 x 32 5/8"
RDWLBF2436	N/A	23 5/8 x 17 3/4"	RD3632.B or .W	16 15/16 x 31"	17 3/4 x 32 5/8"
RDWHB3636	35 5/8 x 35 5/8"	35 5/8 x 35 5/8"	RD3332.B or .W	14 1/2 x 31"	16 1/8 x 32 5/8"
RDWHB3036	29 5/8 x 35 5/8"	29 5/8 x 35 5/8"	RD3032.B or .W	13 15/16 x 31"	14 3/4 x 32 5/8"
RDWHB1836	18 x 35 5/8"	18 x 35 5/8"	RD2732.B or .W	12 7/16 x 31"	13 1/4 x 32 5/8"
RDWHB1236	11 5/8 x 35 5/8"	11 5/8 x 35 5/8"	RD2432.B or .W	22 x 31"	23 5/8 x 32 5/8"
RDEZR36R	10 1/8 x 28"	10 15/16 x 29 5/8"	RD2132.B or .W	19 x 31"	20 5/8 x 32 5/8"
RDE2436L.B or .W	21 x 34"	22 5/8 x 35 5/8"	RD1832.B or .W	16 x 31"	17 5/8 x 32 5/8"
RDE1536.B or .W	12 x 34"	13 5/8 x 35 5/8"	RD1532R.B or .W	13 x 31"	14 5/8 x 32 5/8"
RDE1236R.B or .W	9 x 34"	10 5/8 x 35 5/8"	RD1232.B or .W	10 x 31"	11 5/8 x 32 5/8"
RDB3336L.B or .W	15 7/16 x 34"	16 1/4 x 35 5/8"	RD0932.B or .W	7 x 31"	8 5/8 x 32 5/8"
RDB2436L.B or .W	10 15/16 x 34"	11 3/4 x 35 5/8"	RD0632.B or .W	N/A	5 5/8 x 32 5/8"
RDA2436L.B or .W	14 1/2 x 34"	14 5/8 x 35 5/8"			
RD4536L.B or .W	20 1/2 x 34"	22 1/8 x 35 5/8"	RDZ3630.B or .W	10 1/8 x 28"	10 15/16 x 29 5/8"
RD3936L.B or .W	17 1/2 x 34"	19 1/8 x 35 5/8"	RDZ3330.B or .W	7 1/8 x 28"	7 15/16 x 29 5/8"
RD3636L.B or .W	16 15/16 x 34"	17 3/4 x 35 5/8"	RDWEZR2430	10 1/8 x 28"	10 15/16 x 29 5/8"
RD3336L.B or .W	14 1/2 x 34"	16 1/8 x 35 5/8"	RDWEZR2130	7 1/8 x 28"	7 15/16 x 29 5/8"
RD3036L.B or .W	13 15/16 x 34"	14 3/4 x 35 5/8"	RDWZ3630.B or .W	11 x 28"	11 13/32 x 29 5/8"
RD2736L.B or .W	12 7/16 x 34"	13 1/4 x 35 5/8"	RDBIAC30.B	9 1/16 x 28"	9 7/8 x 29 5/8"
RD2436L.B or .W	22 x 34"	23 5/8 x 35 5/8"	RDBOAC30.B	13 13/16 x 28"	15 5/8 x 29 5/8"
RD2136L.B or .W	19 x 34"	20 5/8 x 35 5/8"	RDWOAC30	9 x 28"	10 5/8 x 29 5/8"
RD1836L.B or .W	16 x 34"	17 5/8 x 35 5/8"	RDWIAC30	14 1/16 x 28"	14 7/8 x 29 5/8"
RD1536.B or .W	13 x 34"	14 5/8 x 35 5/8"	RDWLBF3630	N/A	35 5/8 x 14 3/4"
RD1236L.B or .W	10 x 34"	11 5/8 x 35 5/8"	RDWLBF3030	N/A	29 5/8 x 14 3/4"
RD0936.B or .W	7 x 34"	8 5/8 x 35 5/8"	RDWLBF2430	N/A	23 5/8 x 14 3/4"
RD0636.B or .W	N/A	5 5/8 x 35 5/8"	RDWHB3630	35 5/8 x 29 5/8"	35 5/8 x 29 5/8"
			RDWHB3030	29 5/8 x 29 5/8"	29 5/8 x 29 5/8"
WEZR2133	7 1/8 x 31"	7 15/16 x 32 5/8"	RDWHB1830	18 x 29 5/8"	18 x 29 5/8"
RDEZR33	7 1/8 x 28"	7 15/16 x 29 5/8"	RDWHB1230	11 5/8 x 29 5/8"	11 5/8 x 29 5/8"
RDE2433.B or .W	21 x 31"	22 5/8 x 32 1/8"	RDMC2430.B	22 x 28"	23 5/8 x 29 5/8"
RDE1233.B or .W	9 x 31"	10 5/8 x 32 1/8"	RDMC1830.B	16 x 28"	17 5/8 x 29 5/8"
RDB3333.B or .W	15 7/16 x 31"	16 1/4 x 32 1/8"	RDE2430.B or .W	21 x 28"	22 5/8 x 29 5/8"
RDB2433.B or .W	10 15/16 x 31"	11 3/4 x 32 1/8"	RDE2130.B or .W	18 x 28"	19 5/8 x 29 5/8"
RDA2433.B or .W	14 1/2 x 31"	14 5/8 x 32 1/8"	RDE1830.B or .W	15 x 28"	16 5/8 x 29 5/8"
RD4932.B or .W	22 1/2 x 31"	24 1/8 x 32 5/8"	RDE1530.W	12 x 28"	13 5/8 x 29 5/8"
RD3633.B or .W	16 15/16 x 31"	17 3/4 x 32 1/8"	RDE1230.B or .W	9 x 28"	10 5/8 x 29 5/8"
RD3033.B or .W	13 15/16 x 31"	14 3/4 x 32 1/8"	RDB3730.B or .W	17 7/16 x 28"	18 1/4 x 29 5/8"
RD2733.B or .W	12 7/16 x 31"	13 1/4 x 32 1/8"	RDB3430.B or .W	15 15/16 x 28"	16 3/4 x 29 5/8"
RD2433.B or .W	22 x 31"	23 5/8 x 32 1/8"	RDB3330.B or .W	15 7/16 x 28"	16 1/4 x 29 5/8"
RD2132L.B or .W	19 x 31"	20 5/8 x 32 5/8"	RDB2430.B or .W	10 15/16 x 28"	11 3/4 x 29 5/8"
RD1833.B or .W	16 x 31"	17 5/8 x 32 1/8"	RDA2430.B or .W	14 1/2 x 28"	14 5/8 x 29 5/8"
RD1533.B or .W	13 x 31"	14 5/8 x 32 1/8"	RD4930.B or .W	22 1/2 x 28"	24 1/8 x 29 5/8"

PART	1/2" Overlay	Full Overlay	PART	1/2" Overlay	Full Overlay
RD4530.B or .W	20 1/2 x 28"	22 1/8 x 29 5/8"	RDWHB3024	29 5/8 x 23 1/8"	29 5/8 x 23 1/8"
RD4330.B or .W	19 1/2 x 28"	21 1/8 x 29 5/8"	RDWHB1824	18 x 23 1/8"	18 x 23 1/8"
RD4230.B or .W	19 15/16 x 28"	20 3/4 x 29 5/8"	RDWHB1224	11 5/8 x 23 1/8"	11 5/8 x 23 1/8"
RD3930.B or .W	17 1/2 x 28"	19 1/8 x 29 5/8"	RDE2724.B	24 x 21 1/2"	25 5/8 x 23 1/8"
RD3630.B or .W	16 15/16 x 28"	17 3/4 x 29 5/8"	RDE2424.B or .W	21 x 21 1/2"	22 5/8 x 23 1/8"
RD3330.B or .W	14 1/2 x 28"	16 1/8 x 29 5/8"	RDE2124.B	18 x 21 1/2"	19 5/8 x 23 1/8"
RD3130.B or .W	14 11/16 x 28"	15 1/2 x 29 5/8"	RDE1824.B	15 x 21 1/2"	16 5/8 x 23 1/8"
RD3030.B or .W	13 15/16 x 28"	14 3/4 x 29 5/8"	RDE1524L.B or .W	12 x 21 1/2"	13 5/8 x 23 1/8"
RD2730.B or .W	12 7/16 x 28"	13 1/4 x 29 5/8"	RDE1224.B or .W	9 x 21 1/2"	10 5/8 x 23 1/8"
RD2430.B or .W	22 x 28"	23 5/8 x 29 5/8"	RDB4224.B	19 15/16 x 21 1/2"	20 3/4 x 23 1/8"
RD2130.B or .W	19 x 28"	20 5/8 x 29 5/8"	RDB3924.B	18 7/16 x 21 1/2"	19 1/4 x 23 1/8"
RD1830L.B or .W	16 x 28"	17 5/8 x 29 5/8"	RDB3724.B or .W	17 7/16 x 21 1/2"	18 1/4 x 23 1/8"
RD1530.B or .W	13 x 28"	14 5/8 x 29 5/8"	RDB3424R.B or .W	15 15/16 x 21 1/2"	16 3/4 x 23 1/8"
RD1230.B or .W	10 x 28"	11 5/8 x 29 5/8"	RDB3324.B or .W	15 7/16 x 21 1/2"	16 1/4 x 23 1/8"
RD0930.B or .W	7 x 28"	8 5/8 x 29 5/8"	RDB2424.B or .W	10 15/16 x 21 1/2"	11 3/4 x 23 1/8"
RD0630.B	4 x 28"	5 5/8 x 29 5/8"	RDA2424.B or .W	14 1/2 x 21 1/2"	14 5/8 x 23 1/8"
			RD4924.B or .W	22 1/2 x 21 1/2"	24 1/8 x 23 1/8"
RDDEZR27.B or .W	7 1/8 x 22 1/2"	7 15/16 x 24 1/8"	RD4524.B or .W	20 1/2 x 21 1/2"	22 1/8 x 23 1/8"
RDM1827.B or .W	16 x 25"	17 5/8 x 26 5/8"	RD4324.B or .W	19 1/2 x 21 1/2"	21 1/8 x 23 1/8"
RDE2427.B or .W	21 x 25"	22 5/8 x 26 5/8"	RD3924.B or .W	17 1/2 x 21 1/2"	19 1/8 x 23 1/8"
RDE1227.B or .W	9 x 25"	10 5/8 x 26 5/8"	RD3624.B or .W	16 15/16 x 21 1/2"	17 3/4 x 23 1/8"
RDB3727.B or .W	17 7/16 x 25"	18 1/4 x 26 5/8"	RD3324.B or .W	14 1/2 x 21 1/2"	16 1/8 x 23 1/8"
RDB3427.B or .W	15 15/16 x 25"	16 3/4 x 26 5/8"	RD3124.B or .W	14 11/16 x 21 1/2"	15 1/2 x 23 1/8"
RDB3327.B or .W	15 7/16 x 25"	16 1/4 x 26 5/8"	RD3024.B or .W	13 15/16 x 21 1/2"	14 3/4 x 23 1/8"
RDB2427.B or .W	10 15/16 x 25"	11 3/4 x 26 5/8"	RD2724.B or .W	12 7/16 x 21 1/2"	13 1/4 x 23 1/8"
RDA2427.B or .W	14 1/2 x 25"	14 5/8 x 26 5/8"	RD2424.B or .W	22 x 21 1/2"	23 5/8 x 23 1/8"
RD4927.B or .W	22 1/2 x 25"	24 1/8 x 26 5/8"	RD2124.B or .W	19 x 21 1/2"	20 5/8 x 23 1/8"
RD4527.B or .W	20 1/2 x 25"	22 1/8 x 26 5/8"	RD1824.B	16 x 21 1/2"	17 5/8 x 23 1/8"
RD4327.B or .W	19 1/2 x 25"	21 1/8 x 26 5/8"	RD1524.B or .W	13 x 21 1/2"	14 5/8 x 23 1/8"
RD3927.B or .W	17 1/2 x 25"	19 1/8 x 26 5/8"	RD1224.B or .W	10 x 21 1/2"	11 5/8 x 23 1/8"
RD3627.B or .W	16 15/16 x 25"	17 3/4 x 26 5/8"	RD0924.B or .W	7 x 21 1/2"	8 5/8 x 23 1/8"
RD3327.B or .W	14 1/2 x 25"	16 1/8 x 26 5/8"	RD0624.B or .W	N/A	5 5/8 x 23 1/8"
RD3127.B or .W	14 11/16 x 25"	15 1/2 x 26 5/8"			
RD3027.B or .W	13 15/16 x 25"	14 3/4 x 26 5/8"	RDWTHG3922.B	37 x 19"	38 5/8 x 20 5/8"
RD2727.B or .W	12 7/16 x 25"	13 1/4 x 26 5/8"	RDWTHG3622	34 x 19"	35 5/8 x 20 5/8"
RD2427.B or .W	22 x 25"	23 5/8 x 26 5/8"	RDWTHG3322.B	31 x 19"	32 5/8 x 20 5/8"
RD2127.B or .W	19 x 25"	20 5/8 x 26 5/8"	RDWTHG3022	28 x 19"	29 5/8 x 20 5/8"
RD1827.B or .W	16 x 25"	17 5/8 x 26 5/8"	RDWTHG2722.B	25 x 19"	26 5/8 x 20 5/8"
RD1727.B	17 x 27 1/2"	17 x 27 1/2"	RDE1222.B or .W	9 x 19"	10 5/8 x 20 5/8"
RD1527.B or .W	13 x 25"	14 5/8 x 26 5/8"	RDB4222.B	19 15/16 x 19"	20 3/4 x 20 5/8"
RD1227.B or .W	10 x 25"	11 5/8 x 26 5/8"	RDB3922.B	18 7/16 x 19"	19 1/4 x 20 5/8"
RD0927.B or .W	7 x 25"	8 5/8 x 26 5/8"	RDB3722.B or .W	17 7/16 x 19"	18 1/4 x 20 5/8"
			RDB3422.B or .W	15 15/16 x 19"	16 3/4 x 20 5/8"
RDZ3326.B	7 1/8 x 22 1/2"	7 15/16 x 24 1/8"	RDB3322.B or .W	15 7/16 x 19"	16 1/4 x 20 5/8"
RDE2426.B	21 x 22 1/2"	22 5/8 x 24 1/8"	RDB2422.B or .W	10 15/16 x 19"	11 3/4 x 20 5/8"
RDE2126.B	18 x 22 1/2"	19 5/8 x 24 1/8"	RD4922.B or .W	22 1/2 x 19"	24 1/8 x 20 5/8"
RDE1826.B	15 x 22 1/2"	16 5/8 x 24 1/8"	RD4522.B or .W	20 1/2 x 19"	22 1/8 x 20 5/8"
RD1826.B	16 x 22 1/2"	17 5/8 x 24 1/8"	RD4322.B or .W	19 1/2 x 19"	21 1/8 x 20 5/8"
RD1526.B	13 x 22 1/2"	14 5/8 x 24 1/8"	RD3922.B or .W	17 1/2 x 19"	19 1/8 x 20 5/8"
RD1226.B	10 x 22 1/2"	11 5/8 x 24 1/8"	RD3622.B or .W	16 15/16 x 19"	17 3/4 x 20 5/8"
			RD3322.B or .W	14 1/2 x 19"	16 1/8 x 20 5/8"
RDWTHG3924.B	37 x 21 1/2"	38 5/8 x 23 1/8"	RD3122.B or .W	14 11/16 x 19"	15 1/2 x 20 5/8"
RDWTHG3624	34 x 21 1/2"	35 5/8 x 23 1/8"	RD3022.B or .W	13 15/16 x 19"	14 3/4 x 20 5/8"
RDWTHG3324.B	31 x 21 1/2"	32 5/8 x 23 1/8"	RD2722.B or .W	12 7/16 x 19"	13 1/4 x 20 5/8"
RDWTHG3024	28 x 21 1/2"	29 5/8 x 23 1/8"	RD2122.B or .W	19 x 19"	20 5/8 x 20 5/8"
RDWTHG2724.B	25 x 22 1/2"	26 5/8 x 23 1/8"	RD1822.B or .W	16 x 19"	17 5/8 x 20 5/8"
RDWTHG2424	22 x 21 1/2"	23 5/8 x 23 1/8"	RD1522.B or .W	13 x 19"	14 5/8 x 20 5/8"
RDWTHG1524	13 x 21 1/2"	14 5/8 x 23 1/8"	RD1222.B or .W	10 x 19"	11 5/8 x 20 5/8"
RDWHB3624	35 5/8 x 23 1/8"	35 5/8 x 23 1/8"			

PART	1/2" Overlay	Full Overlay	PART	1/2" Overlay	Full Overlay
RDB3321.B	15 7/16 x 18 1/2"	16 1/4 x 20 1/8"	RDWTHG3315.B	31 x 13"	32 5/8 x 14 5/8"
RDB2421.B	10 15/16 x 18 1/2"	11 3/4 x 20 1/8"	RDWTHG3015	28 x 13"	29 5/8 x 14 5/8"
RD3921.B	17 1/2 x 18 1/2"	19 1/8 x 20 1/8"	RDWTHG2715.B	25 x 13"	26 5/8 x 14 5/8"
RD3621.B	16 15/16 x 18 1/2"	17 3/4 x 20 1/8"	RDWTHG2415	22 x 13"	23 5/8 x 14 5/8"
RD3021.B	13 15/16 x 18 1/2"	14 3/4 x 20 1/8"	RDWTHG1515	13 x 13"	14 5/8 x 14 5/8"
RD2721.B	12 7/16 x 18 1/2"	13 1/4 x 20 1/8"	RDWB3615	10 3/8 x 11 3/32"	11 3/8 x 11 3/32"
RD2421.B	22 x 18 1/2"	23 5/8 x 20 1/8"	RDE1515. B or .W	12 x 13"	13 5/8 x 14 5/8"
RD2121.B or .W	19 x 18 1/2"	20 5/8 x 20 1/8"	RDE1215.B or .W	9 x 13"	10 5/8 x 14 5/8"
RD1821.B	16 x 18 1/2"	17 5/8 x 20 1/8"	RDB3715.B or .W	17 7/16 x 13"	18 1/4 x 14 5/8"
RD1521.B	13 x 18 1/2"	14 5/8 x 20 1/8"	RDB3415.B or .W	15 15/16 x 13"	16 3/4 x 14 5/8"
RD1221.B	10 x 18 1/2"	11 5/8 x 20 1/8"	RDB3315.B or .W	15 7/16 x 13"	16 1/4 x 14 5/8"
			RDB2415.B or .W	10 15/16 x 13"	11 3/4 x 14 5/8"
RDWTHG3918.B	37 x 16"	38 5/8 x 17 5/8"	RDA2415.B or .W	14 1/2 x 13"	14 5/8 x 14 5/8"
RDWTHG3618	34 x 16"	35 5/8 x 17 5/8"	RD4315.B or .W	19 1/2 x 13"	21 1/8 x 14 5/8"
RDWTHG3318.B	31 x 16"	32 5/8 x 17 5/8"	RD3915.B or .W	17 1/2 x 13"	19 1/8 x 14 5/8"
RDWTHG3018	28 x 16"	29 5/8 x 17 5/8"	RD3615.B or .W	16 15/16 x 13"	17 3/4 x 14 5/8"
RDWTHG2718.B	25 x 16"	26 5/8 x 17 5/8"	RD3315L.B or .W	14 1/2 x 13"	16 1/8 x 14 5/8"
RDWTHG2418	22 x 16"	23 5/8 x 17 5/8"	RD3115.B or .W	14 11/16 x 13"	15 1/2 x 14 5/8"
RDWTHG1518	13 x 16"	14 5/8 x 17 5/8"	RD3015.B or .W	13 15/16 x 13"	14 3/4 x 14 5/8"
RDWHB3618	35 5/8 x 17 5/8"	35 5/8 x 17 5/8"	RD2715.B or .W	12 7/16 x 13"	13 1/4 x 14 5/8"
RDWHB3018	29 5/8 x 17 5/8"	29 5/8 x 17 5/8"	RD2515.B or .W	14 x 13"	15 5/8 x 14 5/8"
RDWHB1818	18 x 17 5/8"	18 x 17 5/8"	RD2115.B or .W	19 x 13"	20 5/8 x 14 5/8"
RDWHB1218	11 5/8 x 17 5/8"	11 5/8 x 17 5/8"	RD1815.B or .W	16 x 13"	17 5/8 x 14 5/8"
RDE2418.B	21 x 16"	22 5/8 x 17 5/8"	RD1515.B or .W	13 x 13"	14 5/8 x 14 5/8"
RDE2118.B	18 x 16"	19 5/8 x 17 5/8"	RD1215.B or .W	10 x 13"	11 5/8 x 14 5/8"
RDE1818.B	15 x 16"	16 5/8 x 17 5/8"			
RDE1518.B or .W	12 x 16"	13 5/8 x 17 5/8"	RDWTHG3912.B	37 x 10"	38 5/8 x 11 5/8"
RDE1218.B or .W	9 x 16"	10 5/8 x 17 5/8"	RDWTHG3612	34 x 10"	35 5/8 x 11 5/8"
RDB4218.B	19 15/16 x 16"	20 3/4 x 17 5/8"	RDWTHG3312.B	31 x 10"	32 5/8 x 11 5/8"
RDB3918.B	18 7/16 x 16"	19 1/4 x 17 5/8"	RDWTHG3012	28 x 10"	29 5/8 x 11 5/8"
RDB3718.B or .W	17 7/16 x 16"	18 1/4 x 17 5/8"	RDWTHG2712.B	25 x 10"	26 5/8 x 11 5/8"
RDB3418.B or .W	15 15/16 x 16"	16 3/4 x 17 5/8"	RDWTHG2412	22 x 10"	23 5/8 x 11 5/8"
RDB3318.B or .W	15 7/16 x 16"	16 1/4 x 17 5/8"	RDWTHG1512	13 x 10"	14 5/8 x 11 5/8"
RDB2418.B or .W	10 15/16 x 16"	11 3/4 x 17 5/8"	RDE1512.B or .W	12 x 10"	13 5/8 x 11 5/8"
RDAAG2418.B	14 1/2 x 18"	14 5/8 x 17 5/8"	RDE1212.B or .W	9 x 10"	10 5/8 x 11 5/8"
RDAG3618.B	34 x 18"	35 5/8 x 17 5/8"	RDB3712.B or .W	17 7/16 x 10"	18 1/4 x 11 5/8"
RDAG3018.B	28 x 18"	29 5/8 x 17 5/8"	RDB3412.B or .W	15 15/16 x 10"	16 3/4 x 11 5/8"
RDAG2418.B	22 x 18"	23 5/8 x 17 5/8"	RDB3312.B or .W	15 7/16 x 10"	16 1/4 x 11 5/8"
RDAG1818.B	16 x 18"	17 5/8 x 17 5/8"	RDB2412.B or .W	10 15/16 x 10"	11 3/4 x 11 5/8"
RDA2418L.B	14 1/2 x 16"	14 5/8 x 17 5/8"	RDA2412.B or .W	14 1/2 x 10"	14 5/8 x 11 5/8"
RD4318.B or .W	19 1/2 x 16"	21 1/8 x 17 5/8"	RD4312.B or .W	19 1/2 x 10"	21 1/8 x 11 5/8"
RD3918.B or .W	17 1/2 x 16"	19 1/8 x 17 5/8"	RD3912.B or .W	17 1/2 x 10"	19 1/8 x 11 5/8"
RD3618.B or .W	16 15/16 x 16"	17 3/4 x 17 5/8"	RD3612.B or .W	16 15/16 x 10"	17 3/4 x 11 5/8"
RD3318.B or .W	14 1/2 x 16"	16 1/8 x 17 5/8"	RD3312.B or .W	14 1/2 x 10"	16 1/8 x 11 5/8"
RD3118.B or .W	14 11/16 x 16"	15 1/2 x 17 5/8"	RD3112.B or .W	14 11/16 x 10"	15 1/2 x 11 5/8"
RD3018.B or .W	13 15/16 x 16"	14 3/4 x 17 5/8"	RD3012.B or .W	13 15/16 x 10"	14 3/4 x 11 5/8"
RD2718.B or .W	12 7/16 x 16"	13 1/4 x 17 5/8"	RD2712.B or .W	12 7/16 x 10"	13 1/4 x 11 5/8"
RD2518.B or .W	14 x 16"	15 5/8 x 17 5/8"	RD2512.B or .W	14 x 10"	15 5/8 x 11 5/8"
RD2418.B or .W	22 x 16"	23 5/8 x 17 5/8"	RD2112.B or .W	19 x 10"	20 5/8 x 11 5/8"
RD2118.B or .W	19 x 16"	20 5/8 x 17 5/8"	RD1812.B or .W	16 x 10"	17 5/8 x 11 5/8"
RD1818.B or .W	16 x 16"	17 5/8 x 17 5/8"	RD1512.B or .W	13 x 10"	14 5/8 x 11 5/8"
RD1518.B or .W	13 x 16"	14 5/8 x 17 5/8"	RD1212.B or .W	10 x 10"	11 5/8 x 11 5/8"
RD1218.B or .W	10 x 16"	11 5/8 x 17 5/8"	RD0912.B	7 x 10"	8 5/8 x 11 5/8"
RD0918.B or .W	7 x 16"	8 5/8 x 17 5/8"			
			RDW3320	16 1/2 x 31 "	17 7/8 x 32 5/8"
RD1516.B	13 x 15 1/2"	14 5/8 x 16 5/8"	RDW3120	16 1/2 x 29 1/2"	17 7/8 x 31 1/8"
			RDW3020	16 1/2 x 28"	17 7/8 x 29 5/8"
RDWTHG3915.B	37 x 13"	38 5/8 x 14 5/8"	RDW2720	16 1/2 x 25"	17 7/8 x 26 5/8"
RDWTHG3615	34 x 13"	35 5/8 x 14 5/8"	RDW2420	16 1/2 x 22"	17 7/8 x 23 5/8"

PART	1/2" Overlay	Full Overlay	PART	1/2" Overlay	Full Overlay
RDWBBCD3616	13 x 11 3/32"	14 5/8 x 11 3/32"	RDW1810	N/A	9 1/8 x 17 5/8"
RDW4216	13 x 40"	14 5/8 x 41 5/8"	RDW1510	N/A	9 1/8 x 14 5/8"
RDW3916	13 x 37"	14 5/8 x 38 5/8"	RDW1210	N/A	9 1/8 x 11 5/8"
RDW3616	13 x 34"	14 5/8 x 35 5/8"			
RDW3316	13 x 31"	14 5/8 x 32 5/8"	RDWWHV3609	9 x 34"	9 7/8 x 35 5/8"
RDW3016	13 x 28"	14 5/8 x 29 5/8"	RDWWHV3009	9 x 28"	9 7/8 x 29 5/8"
RDW2716	13 x 25"	14 5/8 x 26 5/8"	RDWWHV1209	9 x 10"	9 7/8 x 11 5/8"
RDW2416	13 x 22"	14 5/8 x 23 5/8"	RDW3609	7 x 34"	8 5/8 x 35 5/8"
RDW2116	13 x 19"	14 5/8 x 20 5/8"			
RDW1816	13 x 16"	14 5/8 x 17 5/8"	RDW3308	N/A	7 5/8 x 32 5/8"
RDW1516	13 x 13"	14 5/8 x 14 5/8"	RDW3108	N/A	7 5/8 x 31 1/8"
RDW1216	13 x 10"	14 5/8 x 11 5/8"	RDW3008	N/A	7 5/8 x 29 5/8"
			RDW2708	N/A	7 5/8 x 26 5/8"
			RDW2408	N/A	7 5/8 x 23 5/8"
RDWBBCD3615	10 3/8 x 11 3/32"	11 3/8 x 11 3/32"	RDW2108	N/A	7 5/8 x 20 5/8"
RDW4215	N/A	11 3/8 x 41 5/8"	RDW1808	N/A	7 5/8 x 17 5/8"
RDW3915	N/A	11 3/8 x 38 5/8"	RDW1508	N/A	7 5/8 x 14 5/8"
RDW3615	N/A	11 3/8 x 35 5/8"			
RDW3315	N/A	11 3/8 x 32 5/8"	RDW3007	7 1/2x28"	N/A
RDW3115	N/A	11 3/8 x 31 1/8"	RDW2707	7 1/2x25"	N/A
RDW3015	N/A	11 3/8 x 29 5/8"			
RDW2715	N/A	11 3/8 x 26 5/8"	RDWBBCD3606	5 3/4 x 11 3/32"	6 1/8 x 11 3/32"
RDW2415	N/A	11 3/8 x 23 5/8"	RDW4506	5 3/4 x 20 1/2"	6 1/8 x 22 1/8"
RDW2115	N/A	11 3/8 x 20 5/8"	RDW4206	5 3/4 x 40"	6 1/8 x 41 5/8"
RDW1815	N/A	11 3/8 x 17 5/8"	RDW4006	5 3/4 x 37"	6 1/8 x 38 5/8"
RDW1515	N/A	11 3/8 x 14 5/8"	RDW3906	5 3/4 x 17 1/2"	6 1/8 x 19 1/8"
RDW1215	N/A	11 3/8 x 11 5/8"	RDW3606	5 3/4 x 34"	6 1/8 x 35 5/8"
			RDW3306	5 3/4 x 31"	6 1/8 x 32 5/8"
RDW3314	10 3/8x31"	N/A	RDW3006	5 3/4 x 28"	6 1/8 x 29 5/8"
RDW3014	10 3/8x28"	N/A	RDW2706	5 3/4 x 25"	6 1/8 x 26 5/8"
RDW2714	10 3/8x25"	N/A	RDW2406	5 3/4 x 22"	6 1/8 x 23 5/8"
RDW2414	10 3/8x22"	N/A	RDW2106	5 3/4 x 19"	6 1/8 x 20 5/8"
			RDW1806	5 3/4 x 16"	6 1/8 x 17 5/8"
RDW2413	N/A	11 1/8 x 23 5/8"	RDW1506	5 3/4 x 13"	6 1/8 x 14 5/8"
RDW2113	N/A	11 1/8 x 20 5/8"	RDW1206	5 3/4 x 10"	6 1/8 x 11 5/8"
RDW1813	9 1/2 x 16"	11 1/8 x 17 5/8"	RDW0906	5 3/4 x 7"	6 1/8 x 8 5/8"
RDW1513	9 1/2 x 13"	11 1/8 x 14 5/8"	RDW0606	5 1/2 x 5 13/16"	5 1/2 x 5 13/16"
RDW1213	9 1/2 x 10"	11 1/8 x 11 5/8"			
			RDWE2706	5 3/4 x 24"	6 1/8 x 25 5/8"
RDW3012	11 3/16 x 28"	12 x 29 5/8"	RDWE2406	5 3/4 x 21"	6 1/8 x 22 5/8"
RDW2412	11 3/16 x 22"	12 x 23 5/8"	RDWE2106	5 3/4 x 18"	6 1/8 x 19 5/8"
RDW1812	11 3/16 x 16"	12 x 17 5/8"	RDWE1806	5 3/4 x 15"	6 1/8 x 16 5/8"
RDW3611	8 3/4 x 34"	10 5/8 x 35 5/8"	RDWFD3005	N/A	29 5/8 x 5 5/8"
RDW3311	8 3/4 x 31"	10 5/8 x 32 5/8"	RDWFD2705	N/A	5 5/8 x 26 5/8"
RDW3111	8 3/4 x 29 1/2"	10 5/8 x 31 1/8"	RDWFD2405	N/A	5 5/8 x 23 5/8"
RDW3011	8 3/4 x 28"	10 5/8 x 29 5/8"	RDWFD2105	N/A	5 5/8 x 20 5/8"
RDW2711	8 3/4 x 25"	10 5/8 x 26 5/8"	RDWFD1805	N/A	5 5/8 x 17 5/8"
RDW2411	8 3/4 x 22"	10 5/8 x 23 5/8"	RDWFD1505	N/A	5 5/8 x 14 5/8"
RDW2111	8 3/4 x 19"	10 5/8 x 20 5/8"	RDWFD1205	N/A	11 5/8 x 5 5/8"
RDW1811	8 3/4 x 16"	10 5/8 x 17 5/8"			
RDW1511	8 3/4 x 13"	10 5/8 x 14 5/8"	RDW3304	3 1/2 x 31"	4 1/8 x 32 5/8"
RDW1211	8 3/4 x 10"	10 5/8 x 11 5/8"	RDW3004	3 1/2 x 28"	4 1/8 x 29 5/8"
			RDW2704	3 1/2 x 25"	4 1/8 x 26 5/8"
RDW3010	N/A	9 1/8 x 29 5/8"	RDW2404	3 1/2 x 22"	4 1/8 x 23 5/8"
RDW2710	N/A	9 1/8 x 26 5/8"	RDW2104	3 1/2 x 19"	4 1/8 x 20 5/8"
RDW2410	N/A	9 1/8 x 23 5/8"	RDW1804	3 1/2 x 16"	4 1/8 x 17 5/8"
RDW2110	N/A	9 1/8 x 20 5/8"	RDW1504	3 1/2 x 13"	4 1/8 x 14 5/8"



**The KraftMaid Cabinetry Lifetime Limited Warranty. As long as you own it, we warrant it.**

Your KraftMaid® cabinetry isn't just a purchase, it's an investment. We believe in quality craftsmanship. We also believe that quality craftsmanship should last your lifetime, not just a set number of years. Simply put, your investment is protected for as long as you own it.

**What is your warranty?**

Masco Cabinetry LLC warrants KraftMaid® cabinetry to be free of defects in material or workmanship for as long as they are owned by you, the original purchaser.

**How do you make a warranty claim?**

Please contact your local retailer from whom you purchased the product. If the retailer is not available, please write the address below or call 1-888-562-7744 and our expert Customer Care group will gladly assist you.

Masco Cabinetry LLC  
Warranty Department  
P.O. Box 1055  
Middlefield, Ohio 44062  
USA

**What does the warranty cover?**

Masco Cabinetry LLC, at its option, may elect to repair or to replace any KraftMaid Cabinetry product covered by this warranty. We are always innovating and actively seeking out ways to improve our product offering and to make your life easier. As such, some replacement parts are subject to availability, and may differ from those originally supplied.

**What is not covered?**

The natural aging or darkening of wood color, the inherent growth characteristics of, or variation in wood (we believe this is the beauty of nature and not a defect); products or parts purchased without a finish; KraftMaid cabinetry purchased prior to 1999; wear and tear, damage or defects caused by misuse, abuse, negligence, alteration, non-residential use, or improper installation, storage, or handling.

To the maximum extent permitted by applicable law: **This warranty does not cover indirect, special, incidental, or consequential damages, loss of use, or labor expenses in uninstalling or installing any material or parts, whether arising out of breach of warranty, breach of contract, negligence, tort, or any other legal theory, even if Masco Cabinetry LLC has been advised of the possibility thereof. Masco Cabinetry LLC disclaims responsibility for damages in excess of your purchase price.**

**This warranty excludes all industrial, commercial and business usage, whose purchasers are hereby extended a one-year limited warranty from the date of purchase, with all other terms of this warranty applying except the duration of the warranty.** Some provinces and some states do not allow the exclusion or limitation of incidental or consequential damages, so the above limitation or exclusion may not apply to you.

This warranty gives you specific legal rights, and you may also have other rights which vary from state to state and province to province. This warranty is not transferable.





**KraftMaid**<sup>®</sup>  
KITCHENS FOR THE REAL LIVING ROOM<sup>™</sup>



© 2019 Masco Cabinetry LLC. All Rights Reserved.

Specifications subject to change without notice.

The photography and color samples shown in this book have been reproduced as accurately as printing technologies permit and are for representation only. To ensure the highest satisfaction, we strongly recommend you view an actual product sample prior to ordering cabinetry.

[kraftmaid.com/theHomeDepot](http://kraftmaid.com/theHomeDepot)

KM-THDSC1219