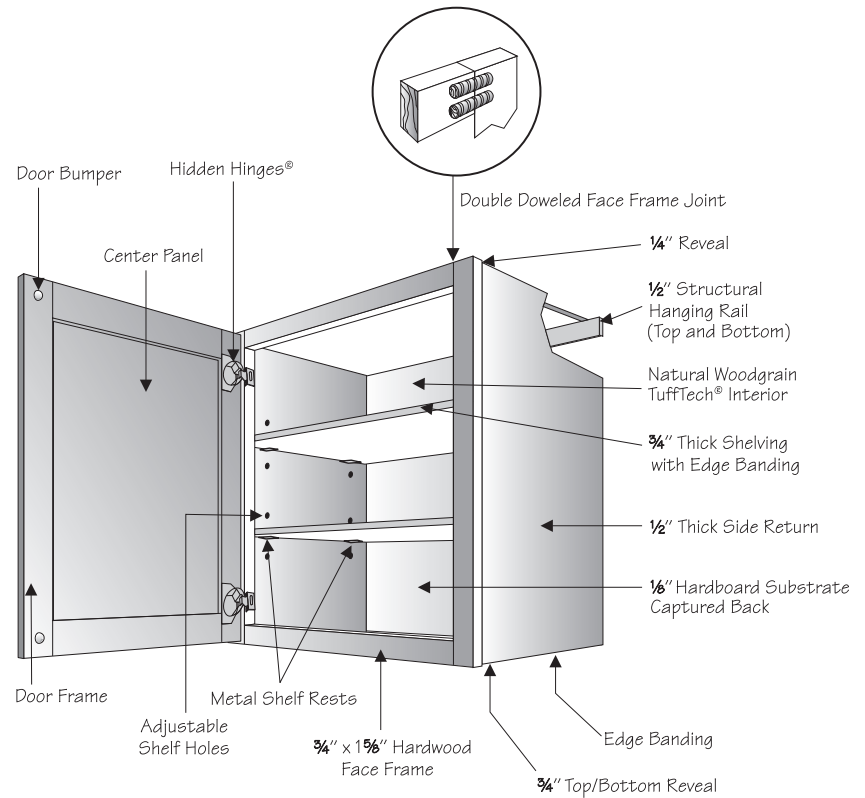


# Built to last—and to your preferences.

All of our cabinets feature quality construction, as well as options to fit your style and budget. Think about what's important to you. Then talk to a **Home Depot kitchen designer** about what options are best for you.

## Good to Know

- While we try to match wood grains as closely as possible, the variations are part of what makes our quality wood products so distinctive and beautiful.
- Over time, exposure to sunlight, smoke and chemicals may cause some finishes to fade or vary from their original color.
- Cabinets purchased at a later date may not exactly match cabinets installed now.
- Order a sample door at [woodmarkcabinetry.com](http://woodmarkcabinetry.com). Color may vary slightly from the cabinets you receive upon shipment.
- Read all cabinet cleaning agent instructions carefully before using them.



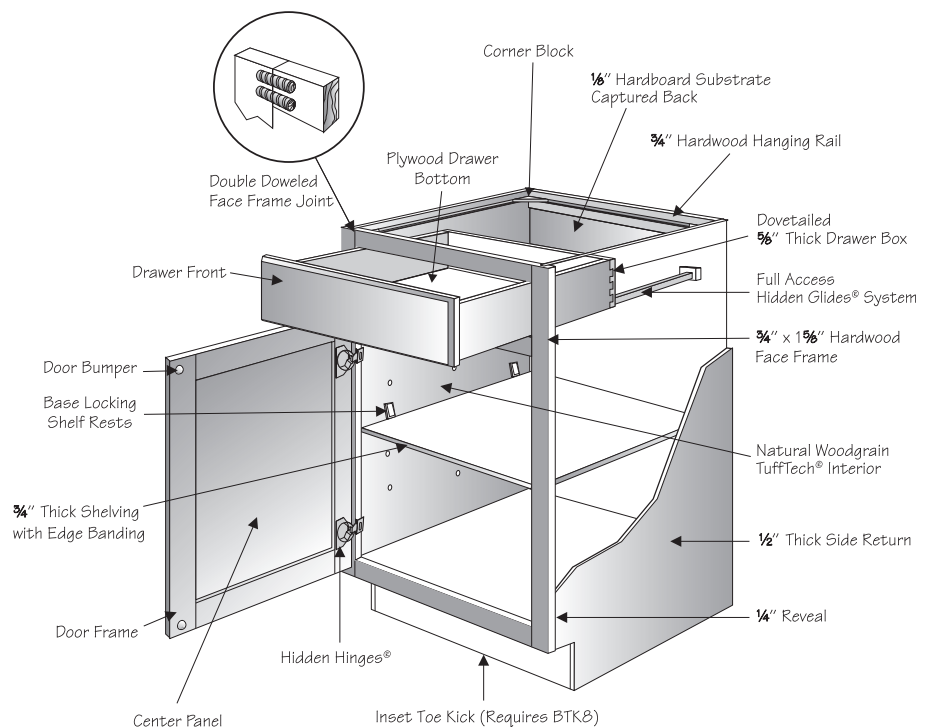
## Keep it Quiet with CushionClose®

Enjoy the whisper-quiet luxury of a complete CushionClose kitchen. With smooth, self-closing performance, CushionClose reduces slams, noise and finger pinching. This unique technology comes automatically on all doors, drawers and roll outs, unless de-selected as an option.

## Lifetime Limited Warranty

We want you to be happy with your American Woodmark cabinets, so we stand behind every one with our warranty. Our warranty runs for as long as you own your home and begins upon the date of delivery to you. For details and disclaimers, please visit [woodmarkcabinetry.com](http://woodmarkcabinetry.com) and look for Warranty Information located in the About Us section.

**Woodmark**<sup>AMERICAN</sup>



## Standard Construction

- 1/2" engineered wood sides with TuffTech® finish.
- Full Access Hidden Glides® System.
- 3/4"-thick engineered wood shelving with edge banding.
- Adjustable drawer front with 5/8" dovetail box and plywood bottom.
- Double doweled 3/4" x 1 5/8" hardwood face frame joint.
- 1/2" engineered wood inset toe kick.

### Quality Features

- Full Access Hidden Glides® System.
- Hardwood drawers with dovetail construction.
- 6-way adjustable hinges.
- Solid, kiln-dried face frames.

## Plywood Ends Option

- 1/2" plywood sides.



## All Plywood Construction Option

- 1/2" plywood sides, floors and cabinet tops.
- 3/4"-thick plywood shelving with edge banding.
- 1/2" plywood inset toe kick.

All Plywood Construction refers to the cabinet box components and shelving as detailed in our specification guide ([woodmarkcabinetry.com/specguide.asp](http://woodmarkcabinetry.com/specguide.asp)). Plywood components meet the Decorative Hardwoods Association's standards for hardwood and decorative plywood ([www.decorativehardwoods.org](http://www.decorativehardwoods.org)).

## Furniture Ends Option

These 3/4" plywood sides provide a furniture look on exposed cabinet ends and make molding installation easier – a real time saver.

## Partial vs. Full Overlay Doors

Different looks are achieved by using partial or full overlay. These terms refer to the size of the doors and drawer fronts, which determines how much of the cabinetry frame shows.



### Partial Overlay

In partial overlay (also referred to as standard or traditional overlay), about an inch of the cabinetry frame is visible around the doors and drawers.

### Full Overlay

In full overlay, the doors and drawer fronts are larger and cover nearly all of the cabinet framework.

## Premium Finishes\*

Painted and glazed finishes bring a deeper richness and luxury to your cabinetry. These hand-applied finishes vary by style. More intricate cuts will show more dramatic effect.



\*Not all premium finishes are available in all collections.

## Characteristics of Species

Every material we offer has its own unique qualities and features. Choosing is just one more way you can get the exact performance and look you want.

**Painted** finishes combine hardwoods and engineered materials including solid wood, medium density fiberboard (MDF), high density fiberboard (HDF) and similar materials to achieve a product with superior stability, consistency, coverage and durability. Features described below are typical and not considered defects:

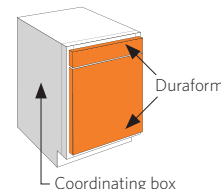
- Joint lines caused by the natural expansion and contraction of wood
- The natural aging process may change the tone of paint colors over time

**Maple** has a fine grain. An exceptionally hard wood, its natural colors range from creamy white to light blonde to dark reddish brown. Darker stains reduce the natural color variations.

**Cherry** is close-grained with occasional pin knots and variations. It ranges in color from pale yellow to deep reddish brown. Stains reveal its subtle variations, which tend to darken over time.

**Oak** has a prominent grain. Light colored stains accentuate the color differences in its open and closed grain areas. Darker stains offer a more uniform appearance.

**Duraform®** uses foils and coatings bonded to warp-resistant composite wood. Advanced technology provides consistent finishes that are durable, easy to clean and resistant to heat, humidity and fading. Available in Linen, Silk, Stone, and Breeze on coordinating Linen box, Drift on coordinating Harbor box, and Cascade on coordinating Espresso Box.



AMERICAN  
**Woodmark®**



American Woodmark has been certified by the Kitchen Cabinet Manufacturers Association (KCMA) for its use of environmentally responsible materials in its cabinetry.

# INSTALLATION INSTRUCTIONS FOR FRAMED AND FULL ACCESS CABINETRY

**WARNING:** The use of nails (versus screws) voids factory warranty, written or implied.

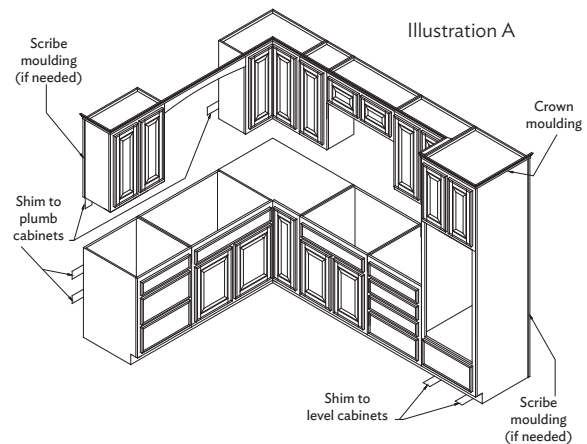
## 1. Before starting the installation

These instructions are intended as supplemental reference for those who have the appropriate skills and experience to safely and successfully install cabinetry, including familiarity with basic carpentry principles and safe and proper tool use. Wall framing and construction can vary greatly, and these instructions may not describe all construction methods. Also, there may be electric, plumbing, gas lines or other utilities behind the wall, for which contact must be avoided during installation. If for any reason after reading these instructions you do not feel confident in the ability to safely and successfully install this cabinetry, please contact a licensed contractor for installation. MasterBrand Cabinets is not responsible for improper installation or property damage.

**WARNING: Electric, plumbing, gas lines and other utilities, are frequently installed or embedded behind walls where cabinets are being installed. Before drilling any holes or driving any screws, be sure you will not be making contact with any of these utilities. Failure to follow these instructions may result in property damage and serious or fatal injury. If you do not feel confident in your ability to ensure that you will not make contact with utilities behind a wall during installation, please contact a licensed contractor to install the cabinets.**

→ **Helpful Hint:** Read through this manual carefully before starting your project to become familiar with all the steps.

Tools needed:		
Pencil	Tape Measure	Pry Bar
Straight Edge	Hammer	Stud Finder
Drill & Bits	Jig Saw	Wood Screws
Chalk line	Level	Wood Chisel
Framing Square	C-Clamps	Safety Glasses
Hole Saw	Miter Saw	
Phillips and Flathead Screwdrivers and Drill Driver Bits		
Round Washer Head Screws		



**INSTALLATION SCREW NOTES:** 

**For Standard Cabinetry use 2-1/2" round washer head screws**

**For Wall Hung Vanities or cabinets with Prep for Wall Hung Modification use 3-1/2" round washer head screws**

**Screw Full Access Cabinets together using 1-1/8" wood screws**

**Screw Framed Cabinets together using 2-1/2" wood screws**

## 2. Check the cabinetry

Check to make sure the cabinets and accessories received agree with order information and are not damaged. Refrain from moving or removing existing plumbing fixtures and kitchen cabinets until verifying that the correct products are on hand to replace them. Review the layout with the project designer to verify all part locations and to identify all finished end locations.

**See Illustration A.**

Remove the packaging, as well as the doors, drawers, adjustable shelving and roll out trays or shelves from the new cabinets. This will reduce weight and prevent injury or damage from falling shelves, swinging doors and sliding drawers during the initial installation phase.

**Full Access Cabinets** are equipped with clip on/off hinges for easy door removal. Find the clip at the end of the hinge, facing the inside of the cabinet. Simply squeeze the clip and the hinge will release without changing the door adjustment.

### 3. Pre-installation of cabinetry

Remove existing cabinets, base boards and other objects on the wall area where cabinets are to be installed.

### 4. Preparing for installation

Locate electric, plumbing or gas lines running behind the walls. Openings may need to be cut in the back panel of the cabinet(s) to accommodate utilities before installation. Avoid accidentally damaging existing utilities during installation. Mark the location of all the studs on the walls that are to support the new cabinets. **It is critical that cabinets are firmly attached to pre-located wall studs.** Be sure to avoid electric, plumbing, gas lines or other utilities that might be behind the wall when locating the studs and when drilling into the wall or driving a screw.

Houses can become unlevel due to settling and shifting. It is important to determine where the highest point in the floor is along the walls slated for cabinet installation. Check the floor with a level to determine the highest point.

Using a chalk line or straight edge, draw a level line at 34-1/2" on the wall from the highest point on the floor where the new base cabinets will be installed. This line establishes the base cabinet height. Now measure the overall height of the specified cabinetry from the same location on the floor. Draw a similar level line on the wall where the wall/tall cabinets will be installed. This line establishes the top of the overall cabinet height. **See Illustration B.**

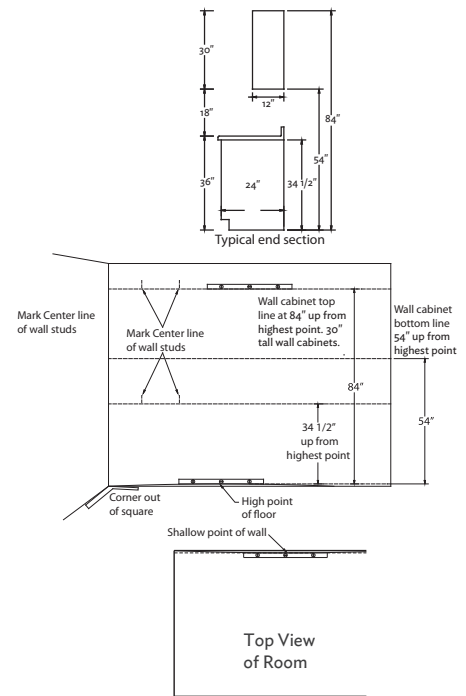


Illustration B

### 5. Installing the base cabinets

If the preference is to install upper cabinets first, skip this step and proceed to Step 6. Once Step 6 is complete, return to Step 5 for base cabinet installation. As with all base and wall cabinets, any necessary cut-outs for utilities such as plumbing, electricity or gas should be made in the back of the cabinets prior to installation. Measure utility location carefully and transfer the information to the back of the cabinetry.

#### Helpful Hints:

- Always pre-fit the cabinets before permanently securing them, as having to change screw locations will leave unwanted holes in the cabinets.
- For Blind Corner installations, the cabinet doors must clear hardware on adjacent cabinetry or appliances. Pull cabinetry far enough from wall "B" (distance "X") to allow proper clearance. **See Illustration C**
- Install strapping or blocks on wall to support countertop in corners if needed. **See Illustration D**

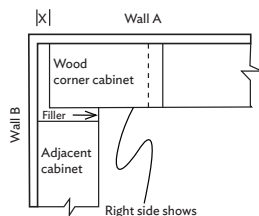


Illustration C

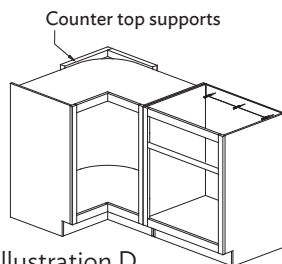


Illustration D

Start with the corner cabinet (if applicable). Slide the cabinet into the desired corner and determine if it needs to be shimmed up to the previously drawn line (34-1/2"). Level as necessary with shims, remembering the finished toe kick panel will cover the shims after it is applied. Check the top with a level and adjust the shims accordingly. When the corner cabinet is level, secure it through the cabinet back and hanger rails, if applicable, into the pre-located wall studs using 2-1/2" round washer head screws (Use 3-1/2" round washer head screws for Wall Hung Vanities and cabinets with Prep for Wall Hung Modification). Depending upon the framing and construction of the wall, the Installer assumes responsibility for the use of appropriate installation screws.

Slide the next cabinet into position so that the side is flush and plumb against the side of the previously installed corner cabinet. Using C-clamps, clamp the two cabinets together and shim under the cabinets where necessary. Check to ensure the cabinet is level. **See Illustration E**

Screw **Framed Cabinets** together through the face using 2-1/2" wood screws.

Screw **Full Access Cabinets** together through the cabinet box using 1-1/8" wood screws or connector bolts.

Pre-drill holes to prevent splitting or cracking. Use two to four wood screws to join the two cabinets together, depending on the cabinet height.

When the two cabinets are joined together, secure the cabinet at pre-located wall studs to the wall, following the base cabinet chalk line, using 2-1/2" round washer head screws (Use 3-1/2" round washer head screws for Wall Hung Vanities and cabinets with Prep for Wall Hung Modification) through the cabinet back and hanger rails, if available, into pre-located wall studs behind the cabinet. Complete the installation of the base cabinets using the same procedure. If there is a window above your base cabinets, be sure to appropriately center the cabinet under the window, if specified, using fillers or extended stiles if applicable, between cabinets or cabinet and wall. **See Step 7 for more details regarding fillers.**

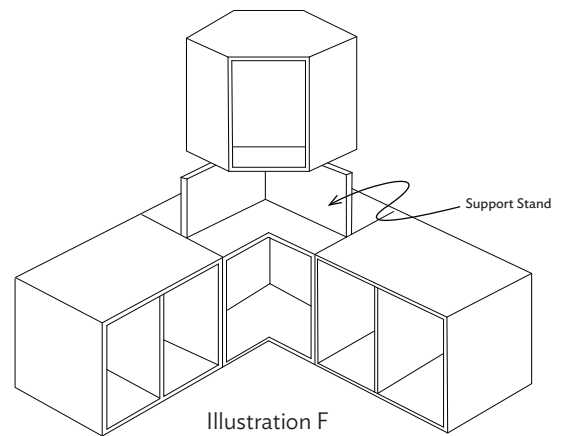
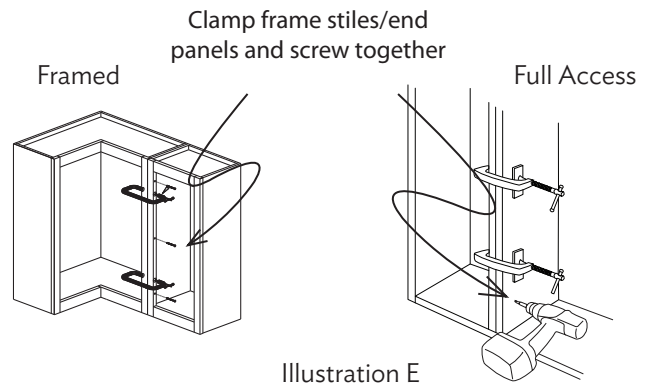
## 6. Installing the wall cabinets

→ **Helpful Hint:** Make a single cabinet support stand to hold the cabinet in position during the installation process. **See Illustration F**

Installing wall cabinetry is similar to base cabinet installation, starting with the corner cabinet. Begin by positioning the corner cabinet so that the top is flush with the level line that was drawn previously (refer to step 4). It is helpful to draw the cabinets on the wall as a guide, including any mouldings that will extend further than the cabinets. This also serves as a double check, ensuring that all components will fit. Center any cabinetry above the range or cooktop and allow specified clearances between any window openings surrounded by cabinetry using fillers or extended stiles if applicable, between cabinets or cabinet and wall. **See Step 7 for more details regarding fillers.**

After checking the cabinet to ensure that it is level and plumb, secure it through the upper and lower cabinet hanger strips, if applicable, into the pre-located wall studs using 2-1/2" round washer head screws (Use 3-1/2" round washer head screws for Wall Hung Vanities and cabinets with Prep for Wall Hung Modification). It is recommended that a minimum of four (two upper & two lower) screws secure each wall cabinet to the wall. Following the same procedure as with the base cabinets, place the next wall cabinet into position, clamp them together with C-clamps, join the two cabinets together and finally, secure it to the wall, fastening into pre-located wall studs. **See Illustration E**

Complete the installation of the remainder of wall cabinets using the same procedure.



## 6.A. Installing a single wall cabinet

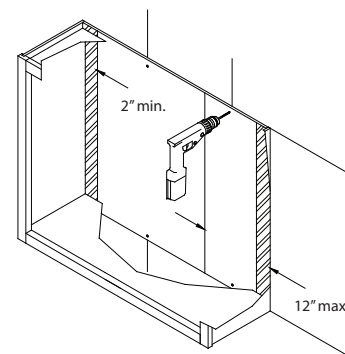
Please review the first four steps in preparation for a single wall cabinet installation.

The cabinet should be located on the wall, so that the pre-located studs that will be used for attachment do not fall within 2" of the inside vertical edges of the cabinet. Ensure that the cabinet is level and plumb and shim to fill uneven areas between the wall and the back of the cabinet. Failure to do so could result in damage to the cabinet.

Pay close attention to the locations that the cabinet will attach to the wall, making sure that there are no voids. Drill through the cabinet back or hanging rails, into pre-located wall studs using a 3/32" diameter bit, 2" deep in a minimum of 4 places. The holes should be no closer than 2" and no further than 12" from any inside vertical edge. The holes should also be located at the top and bottom of the back. The use of 2-1/2" round washer head screws is required. Cement, block, brick or tile walls will require anchors for the screws. These will need to be purchased separately, if needed.

Insert screws into the holes until they are nearly tight. Make sure that the cabinet back is fully supported with shims as needed, and does not bow with any imperfections found in the wall. Confirm that the cabinet is level and plumb, adjust as needed. Tighten the screws down and recheck that the cabinet is level and plumb.

**IMPORTANT: Structural modifications of a wall cabinet can significantly weaken the cabinet. For this reason modifications are not recommended, such as cutting the back to clear wall obstructions. If an obstruction exists, it is suggested to first try and use cabinet(s) that do not require any modification. If modification is required, the warranty of the cabinet is void and it is the responsibility of the installer to take appropriate steps to compensate for any loss of strength or support due to the modification.**



## 7. Installing fillers for Full Access and Framed cabinetry

There are times when it is necessary to install filler pieces with both Full Access and Framed cabinetry. Fillers are required when cabinetry is adjacent to a wall, or with depth changes where the adjacent cabinet is deeper.

- Fillers will also give appropriate clearance for door pulls or knobs.
- Fillers can also be scribed to the wall for a tight custom fit.
- Fillers can also be used between cabinets or the cabinet and wall to help center cabinets around windows and create properly sized openings for appliances.

Extended stiles in place of fillers may be an option for some framed cabinet installations. **See Illustration G** for filler installation options.

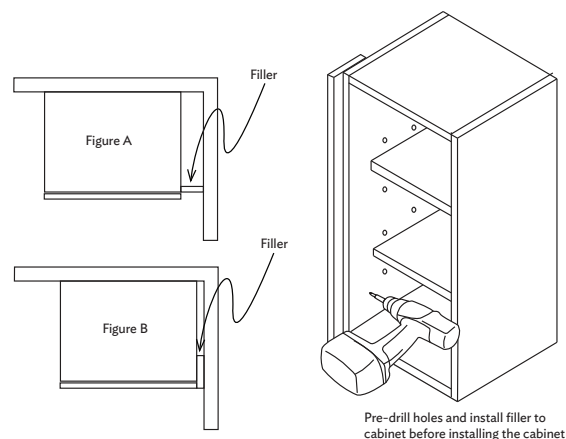


Illustration G

## 8. Completing the installation

Once all of the cabinet boxes are installed, re-install the adjustable shelving, doors, drawers and make any needed adjustments. Drawer fronts can be adjusted by loosening the screws that attach the drawer front to the drawer box, repositioning the drawer front and retightening the screws. Drawer fronts can also be adjusted by adjusting the features found in the drawer slides. Doors can be adjusted in multiple locations using the screws built within the hinge. **It is important to make all adjustments prior to installing decorative hardware.** Install decorative hardware (knobs and pulls) if applicable, along with any moulding.

Measure and cut the toe kick skins and attach them using finishing nails or panel adhesive. Run silicone caulking compound where the base cabinets meet the walls and floor and along the backsplash or back edge of the countertop to prevent any moisture from seeping in. After the caulk is dry, cabinetry should be wiped with a solution of mild soap and warm water, using a clean, soft cloth to remove any dust and grime from the installation. Use an additional clean, soft cloth to dry the cabinetry after cleaning.